



Service information

Reference no.: GDA_102473

Symptom

Senseo Latte Duo PCBA compatibility

Cure

INFO:

The Senseo Latte Duo is equipped with two PCBAs, WSS PCBA (in the body of the appliance) and UI PCBA (in the lid of the appliance). This General Service Information is intended to keep track of Compatibility between both PCBAs.

Currently there is only one version of software, so no conflicts in compatibility.

Below you can find some background information.

Production parts text* on sticker:

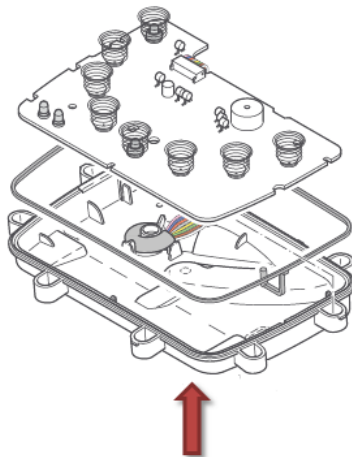
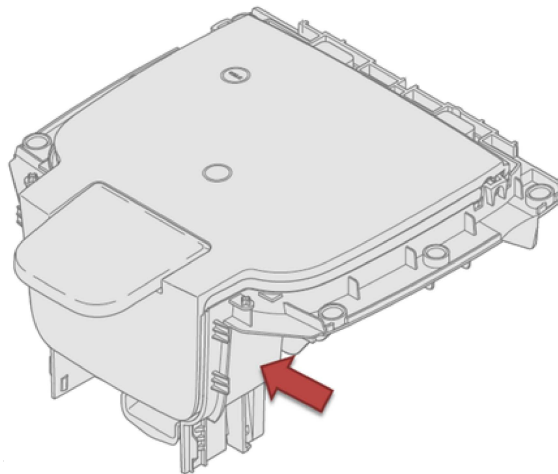
	Brewchamber	WSS PCBA ME	WSS PCBA HE
	4222-248-72442	4222-248-72412	4222-248-72412
As of 12/17 see 4222-248-72442 supplied in production from 01/11			

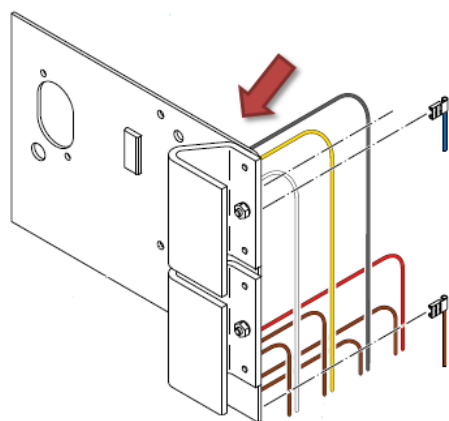
Service parts text* on sticker:

	Brewchamber	WSS PCBA ME	WSS PCBA HE
All the dates correspond to the PCB's. For the rest refer to the service manual.	4222-248-72442	4222-248-72412	4222-248-72412

Location of the stickers:

- Complete brewchamber: Front-facing, right side





REMARKS:
- 13-11-2013 Initial version