



**Service information**

**Reference no.: SDA\_100186**

**Symptom**

Brew unit is hard to remove

**Cure**

**INFO:**

The customer complain that the brew unit is hard to remove. It can happen that while removing the brew unit, parts of the brew unit or the holder can be broken.

**CURE:**

Up to S/N TW901326365961 change the black ratiomotor mounting plate cover with a new one (part N°12 in Image 1 cod.996530073444 - 17001839).

From S/N TW901326365962 the black ratiomotor mounting plate cover has been modified to improve the inserting and the removing of brew unit.

In Image 2 the detail of production date of modified part.

Image 1

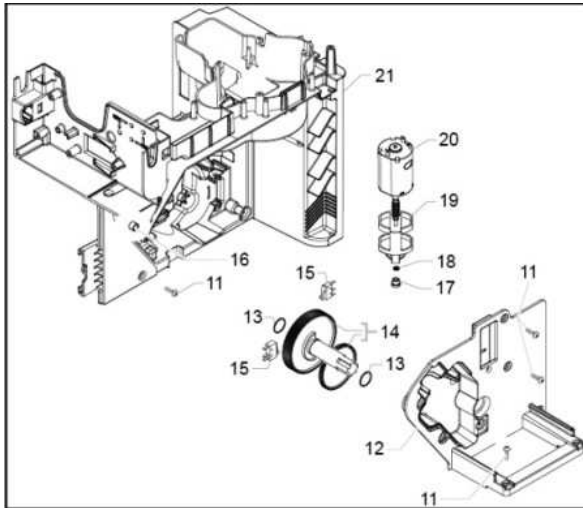


Image 2

