



**Service information**

**Reference no.:** SDA\_108030

**Symptom**

No function or no heating due to blown NTC circuit ST

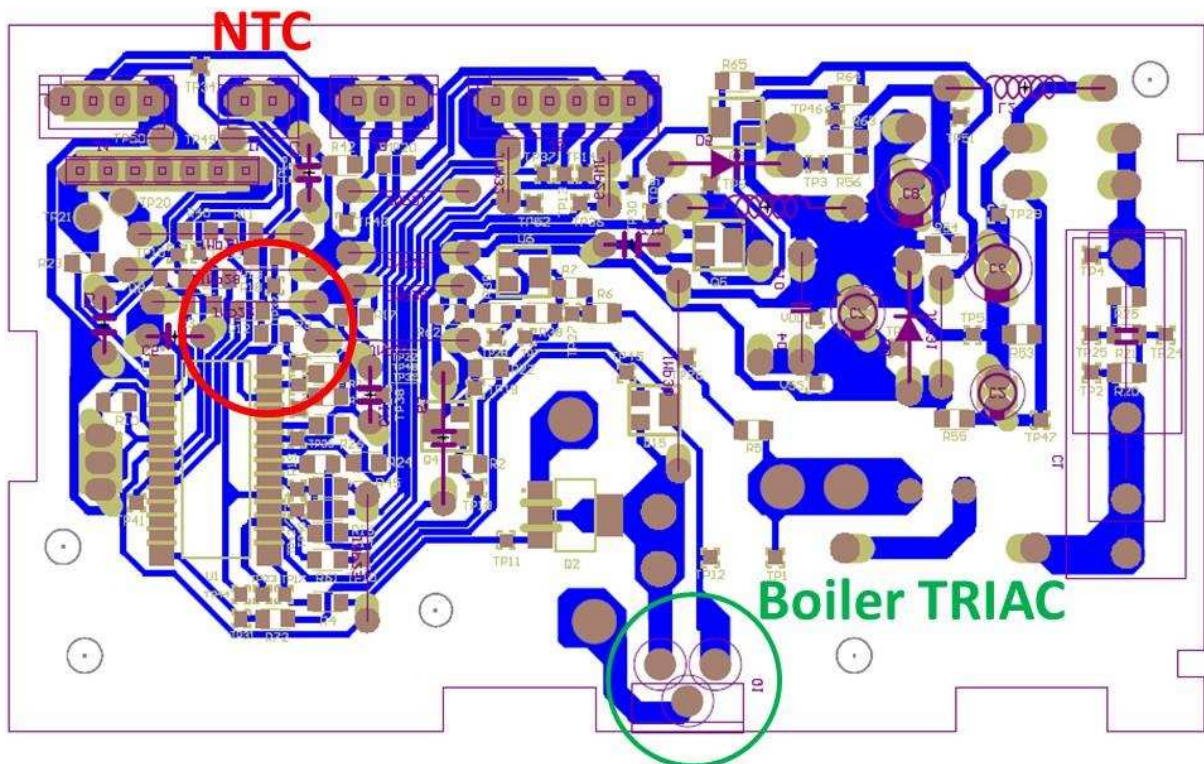
**Cure**

**INFO:**

The cause for:

- not heating the water, or
- not heater the water enough (too cold coffee), or
- signalling Boiler too cold (on/off button signaling Water container empty)

Even though the boiler water level sensor / float are OK, can be found in a blown NTC circuit on the PCBA. Please refer to attached image for an overview of the back (solder side) of the PCBA, and the area to inspect.



**CURE:**

Apart from replacing the PCBA (422225951853), also the NTC (422225947301) itself needs to be replaced as this is most likely the cause for the blown NTC circuit.

**REMARKS:**

- 30-09-2014: Initial version
- 08-10-2014: 422225951853 --> 422225951853