



Service information

Reference no.: SDA_108031

Symptom

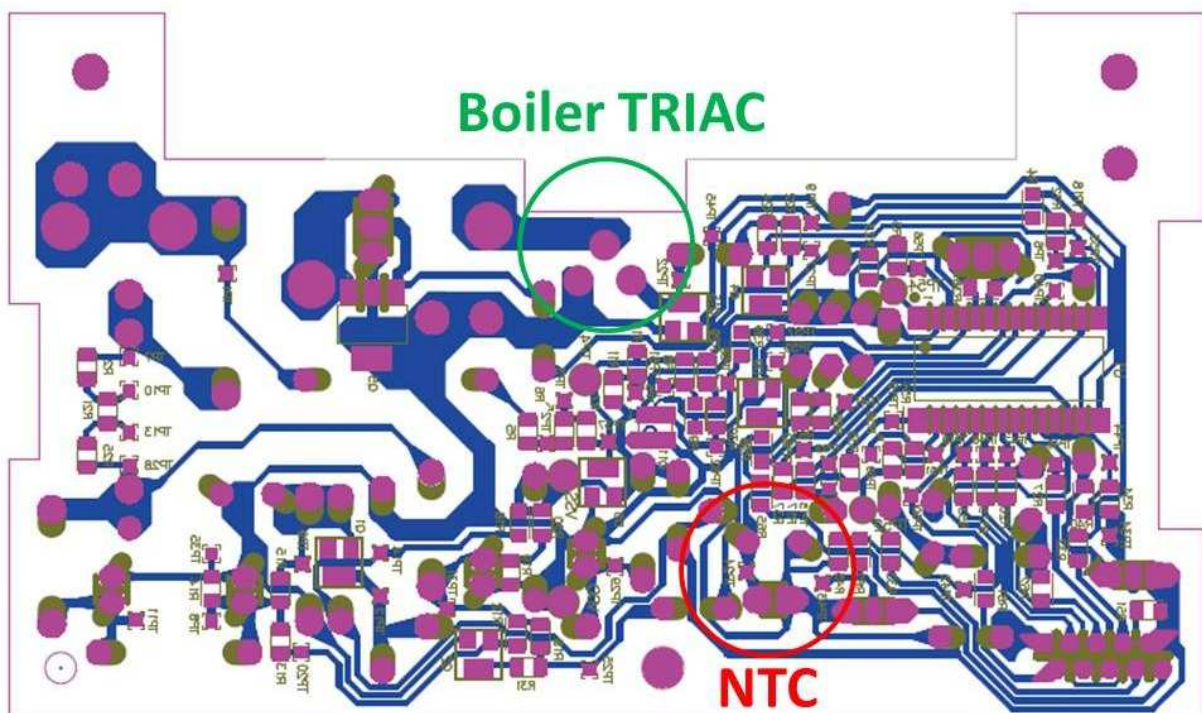
No function or no heating due to blown NTC circuit SUP

Cure

INFO:
The cause for:

- not heating the water, or
- not heater the water enough (too cold coffee), or
- signalling Boiler too cold (on/off button signaling Water container empty)

Even though the boiler water level sensor / float are OK, can be found in a blown NTC circuit on the PCBA. Please refer to attached image for an overview of the back (solder side) of the PCBA, and the area to inspect.



CURE:
Apart from replacing the PCBA (422225958061), also the NTC (422225960501) itself needs to be replaced as this is most likely the cause for the blown NTC circuit.

REMARKS:
- 30-09-2014: Initial version
- 8-10-2014: 422225958061 --> 422225958061