



Service information

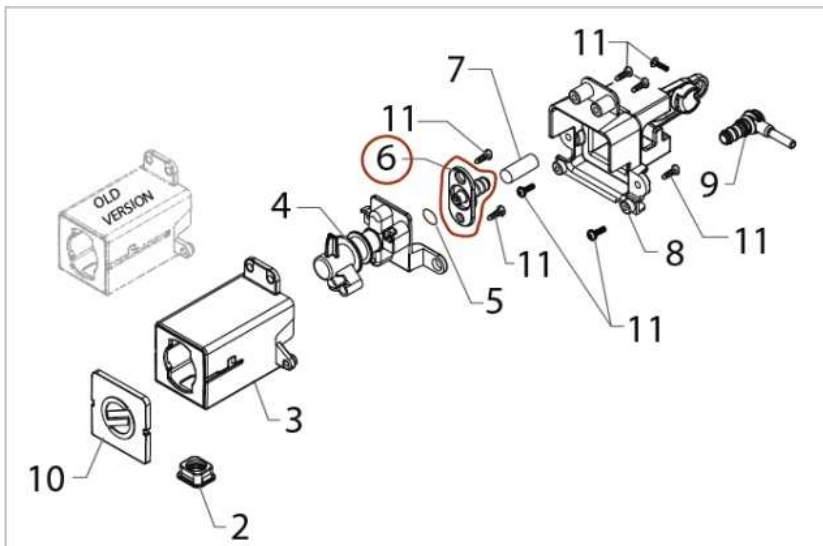
Reference no.: SDA_112371

Symptom

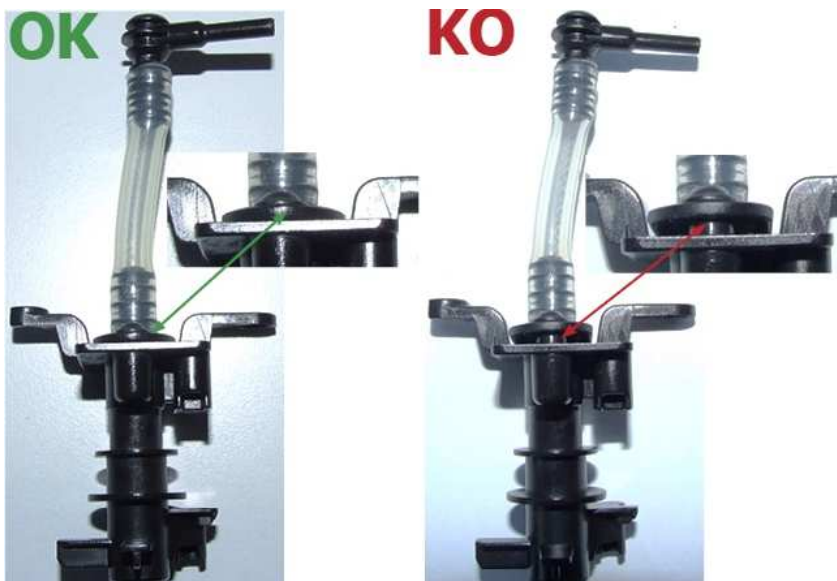
Leaking coffee between the spout and the front cover in Pico Baristo

Cure

INFO:
Leaking coffee between the spout and the front cover out of the casing below the coffee dispenser. Inner coffee dispenser is wrong assembled. The dispenser connector (exploded view position 6 - Image1) was assembled with 180° rotation. Because of the different sizes of the whole the connection doesn't fit correctly and isn't tight. (Image1)



CURE:
Up to s.n. TW901548642417 in case it occurs a leakage between the spout and the front cover, verify the correct assembly (Image2)
(Image2)



to state the check of the assembly.
(Image3)

n the assembly



ADDITIONAL INFORMATION:

SERIAL NUMBER (First serial where solution has been implemented in production):

From TW901548642418

IPM NUMBER (Philips Integrate Problem Management documentation reference number):

113873

FAQ NUMBER (for Call Center reference):

None

INFORMATION FOR CALL CENTER:

None.

INFORMATION FOR CONSUMER:

None.

HISTORY:

16/12/2015 - First Release