



**Service information**

**Reference no.: SDA\_113013**

**Symptom**

Breaking of container lids water / coffee in Incanto and Picobaristo.

**Cure**

**INFO:**

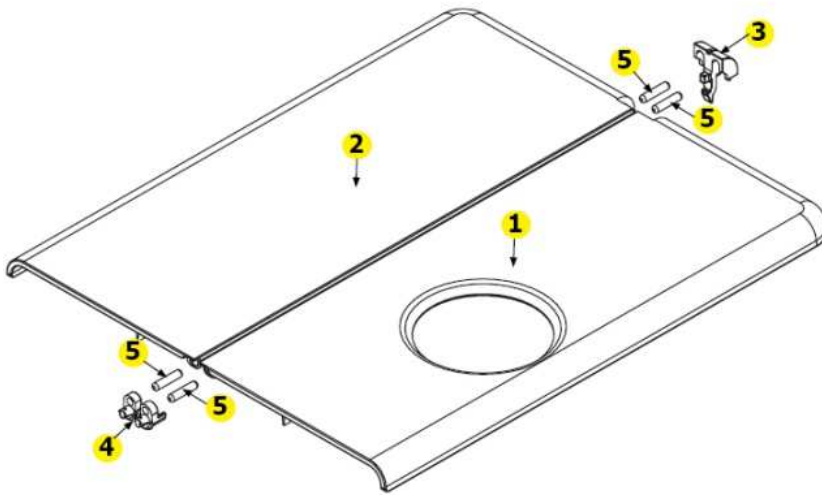
From s.n. TW901543554971 they have changed the lids of the coffee container and water container by inserting steel pins to avoid breakage.

**CURE:**

**Actions :**

- 1) Up to s.n. TW901543554970 order the kit. Description for machine in tables down
- 2) From s.n. TW901543554971 order the singular components . (Image1) Description for machine in tables down.

(Image1 the singular components)



**For the machines:**

HD8911/01
HD8911/03
HD8911/09
HD8912/09
HD8911/02
HD8918/21

**Up to sn. TW901543554970 order Cod.421941309461 - KIT CONTAINERS LIDS (A)**  
**From s.n. TW901543554971 order the singular components (see table and Image1):**

1	421944035972	DEEP/BLK BEAN COF.CONT.LID V2 SMRG/P
2	421944036032	DEEP/BLK WATER CONTAINER LID V2 SMRG/P
3	421944056212	DEEP/BLK REAR LID FIXING INSERT V2 SMRG
4	421944056222	DEEP/BLK FRONT LID FIXING INSERT V2 SMRG
5	421944061701	SS CYL.PIN D=3.4 L=15.3

**For the machines:**

HD8914/01
HD8914/03
HD8914/09
HD8917/01
HD8917/03
HD8917/09
HD8918/09
HD8911/21

**Up to sn. TW901543554970 order Cod. 421941309471 - KIT CONTAINERS LIDS (B)**  
**From s.n. TW901543554971 order the singular components (see table and Image1):**

1	421944043722	SS BEAN COF.CONT.LID V2 SMRG ASSY
2	421944043732	SS WATER CONTAINER LID V2 SMRG ASSY
3	421944056212	DEEP/BLK REAR LID FIXING INSERT V2 SMRG

4	421944056222	DEEP/BLK FRONT LID FIXING INSERT V2 SMRG
5	421944061701	SS CYL.PIN D=3.4 L=15.3

**Picobaristo**  
For the machines:

HD8924/01
HD8924/09
HD8927/01
HD8927/09
HD8928/09

**Up to sn. TW901543554970 order Cod. 421941309471 - KIT CONTAINERS LIDS (B)**  
**From s.n. TW901543554971 order the singular components (see table and Image1):**

1	421944043722	SS BEAN COF.CONT.LID V2 SMRG ASSY
2	421944043732	SS WATER CONTAINER LID V2 SMRG ASSY
3	421944056212	DEEP/BLK REAR LID FIXING INSERT V2 SMRG
4	421944056222	DEEP/BLK FRONT LID FIXING INSERT V2 SMRG
5	421944061701	SS CYL.PIN D=3.4 L=15.3

**ADDITIONAL INFORMATION:**

**SERIAL NUMBER (First serial where solution has been implemented in production):**

Up to s.n. TW901543554970 order kit (See tables).

From s.n. TW901543554971 order singular components (See tables).

**IPM NUMBER (Philips Integrate Problem Management documentation reference number):**  
110965

**INFORMATION FOR CONSUMER:**

None.

**HISTORY:**

16/03/2016 - First Release