



Service information

Reference no.: SDA_93398

Symptom

Detachment of the magnet in the carafe of milk in Xelsis line .

Cure

INFO:
The zone of magnet part in the plastic component is to tight and could be damaged and break during the usage (image1).

CURE:
The magnet zone on the plastic component has been modified to remove any tight due to the presence of the magnet component inside the plastic support; the modified plastic part can be recognize by the circle sign on it as shown in the image 2. The code 11012816 remains unchanged.

Image 1

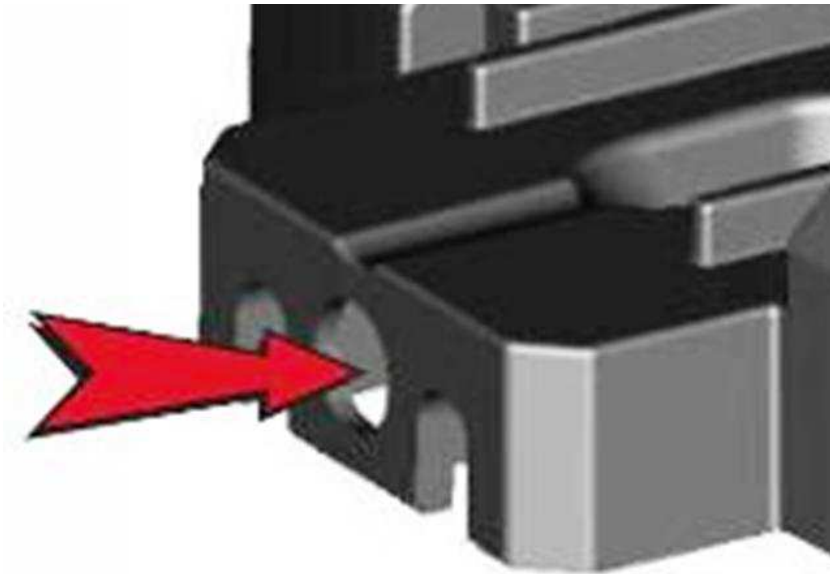


Image 2

