

HD8967/01-47 HD8967/01  
HD8968/01  
HD8969/09

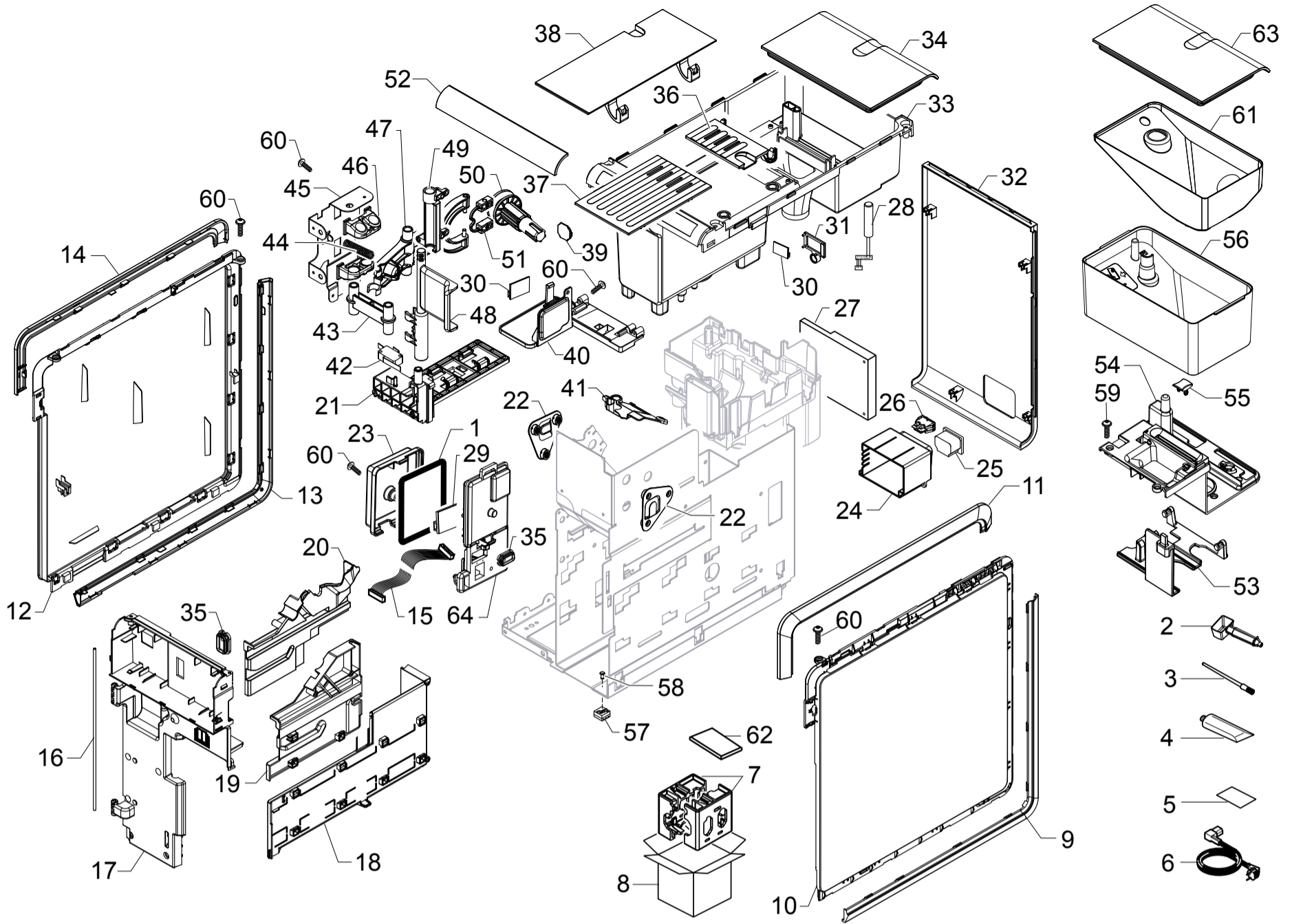


Cod.882896701010-882896747540-882896701020  
Cod.882896801010-882896801020  
Cod.882896909870-882896909830

POS	CODE	12NC	DESCRIPTION	NOTE	POS	CODE	12NC	DESCRIPTION	NOTE
01		421944024441	BLK BT BOARD COVER SEAL CST/BT		30		421941306721	CPU+SW WATER LEVEL SENSOR V3 ASSY.	
02		421944033301	BLK ABS COFFEE MEASURE SMART		31	17001719	996530073734	BLK CAPACIT.SENSOR LOCKING INSERT CST	
03	127390100	996530011867	BRUSH FOR CLEANING		32		421944026882	G/ANT.REAR CASING COVER CST (F)	HD8968/01-HD8969/09
04		421946017941	KLUBERLUB NH11 11-222 TUBE 5GR.				421944034102	G/ANM REAR CASING COVER CST (F)	HD8967/01
05	0301.961	996530039604	STICKER FOR WATER HARDNESS TEST		33		421944012582	BLK COVER CASING V2 CST/HM	
06		421946001591	BLK POWER CABLE SCHUKO L=800		34	17002069	996530073703	NAT/GRY BEAN COF.CONTAINER LID CST ASSY.	
	183921950	996530025843	BLK POWER CABLE SJT3 USA UL L=1200	HD8967/47	35		421944025962	YLW WIRING GUIDE SEAL V2 CST/BT	
07		421940813021	KIT PS-E INSERT FOR BOX CST		36		421944026782	G/ANT.GROUND CONTAINER DOOR CST (F)	HD8968/01-HD8969/09
08		421944035461	DISPL.BOX CST SAE GRANBARISTO BT	HD8967/01-HD8968/01			421944033502	G/ANM GROUND CONTAINER DOOR CST (F)	HD8967/01
		421944056181	DISPL.BOX V3 CST SAE GRANBARISTO BT	HD8969/09	37		421944026802	G/ANT.CUP WARMING LID CST (F)	HD8968/01-HD8969/09
		421944055581	WHT DISPL.BOX CST SAE GRANBAR.AVANTI 23L	HD8967/47-HD8969/09			421944033522	G/ANM CUP WARMING LID CST (F)	HD8967/01
		421944054151	DISPL.BOX CST SAE GRANBARISTO BT USA	HD8967/47	38		421944026772	G/ANT.WATER CONTAINER DOOR CST (F)	HD8968/01-HD8969/09
09		421941301801	CHROM.LOWER RIGHT FRAME CASING CST				421944033512	G/ANM WATER CONTAINER DOOR CST (F)	HD8967/01
10		421944026712	G/ANT.RIGHT SIDE CASING COVER V2 CST (F)	HD8968/01-HD8969/09	39	17000363	996530009605	TRANSP.INFRAREDS PLATE MDS	
		421944034062	G/ANM RIGHT SIDE CASING COVER V2 CST (F)	HD8967/01	40	17001718	996530073744	BLACK REAR COMPONENTS SUPPORT CST	
11		421941301771	CHROM.UPPER RIGHT FRAME CASING CST		41		421941287062	BLK HORIZ.MOUNTING PLATE PROTECT.V2 CST	
12		421944026702	G/ANT.LEFT SIDE CASING COVER V2 CST (F)	HD8968/01-HD8969/09	42	12001890	996530073209	MICROSWITCH XG/V3D	
		421944034082	G/ANM LEFT SIDE CASING COVER V2 CST (F)	HD8967/01	43	17001692	996530073754	BLACK BREW UNIT TRANSMIS.GRAT JOINT CST	
13		421944026101	CHROM.LOWER LEFT FRAME CASING V2 CST		44		421944007771	SS BREW UNIT TRANSMIS.LEVER SPRING CST	
14		421941301781	CHROM.UPPER LEFT FRAME CASING CST		45	17001490	996530073761	STEEL LEVER SUPPORT PLATE CST	
15		421946009501	8P.CONN.BT BOARD CST/BT UL ASSY.		46	17001691	996530073721	BLK BREW UNIT TRANSMISS.LEVER SUPP.CST	
16	17001864	996530073751	STEEL PIN FOR DOOR HINGE CST		47	17001781	996530073786	BLK BREW UNIT TRANSMIS.LEVER CST ASSY.	
17		421944025131	BLK DOOR SUPPORT CST/BT		48	17001689	996530073779	BLACK BREW UNIT TRANSMIS.GRAT LEVER CST	
18	17000789	996530073715	BLACK BREW UNIT RIGHT SUPPORT PLATE CST		49	17001696	996530073772	BLK BREW UNIT TRANSM.GRAT LEVER SUPP.CST	
19	17000790	996530073731	BLACK BREW UNIT RIGHT COUPLING PLATE CST		50	17000799	996530073762	BLACK RATIO MOTOR TRANSMISSION SHAFT CST	
20		421941280202	BLK BREW UNIT LEFT COUPLING PLATE V2 CST		51	17001690	996530073752	BLACK BREW UNIT TRANSMIS.SLIDER CST	
21	17001701	996530073743	BLACK FRONT COMPONENTS SUPPORT CST		52		421944026741	BA/SS CASING COVER INSERT CST/HM	
22	17001762	996530073758	BLACK INSERT FOR PISTON UNIT CST		53	17002065	996530073746	BLK BEAN COF.CONT.RELEASE PLATE CST	
23		421944024431	BT BOARD COVER CST/BT		54		421944026942	G/ANT.COF.CONT.REL.FIX PLATE CST/HM (F)	HD8968/01-HD8969/09
24	17001717	996530073756	BLACK SOCKET-SWITCH SUPPORT CST				421944033532	G/ANM COF.CONT.REL.FIX PLATE CST/HM (F)	HD8967/01
25	12001883	996530072437	CUP SOCKET V3 EN 60320 C 13		55		421944017991	G/ANT.BEAN COF.CONT.RELEASE KNOB HGO	HD8968/01-HD8969/09
26		242212625104	SWI POW 2P 12A 250V FASTON GP12H B				421944030461	G/ANM BEAN COF.CONT.RELEASE KNOB HGO	HD8967/01
		242212625106	SWI POW 2P 10A 250V FASTON 8500 B	HD8967/47	56		421941307131	KIT SPAR.BLK REM.COF.CONT.S/SC.CST/HMAS	
27		421941306811	PWR+SW CST/BT ASSY.	230V	57	11021829	996530007156	BLACK/TRANSP.RIGID FOOT MYB9	
		421941307891	PWR+SW CST/BT ASSY.	120V-HD8967/47	58	11021769	996530007136	BLACK RIGID FOOT FIXING PIN MYB9	
28		421946000711	2P.CONN.REED SENS.COF.CONT.CST UL ASSY.		59	12001787	996530073717	SCREW TCBR TORX 10 3X8 PLAST.SS	
29		421941306601	BT BOARD CST/BT		60	12000450	996530007819	SCREW TCBR TORX 10 3,5X12 PLAST.ZN-N	



GRANBARISTO AVANTI



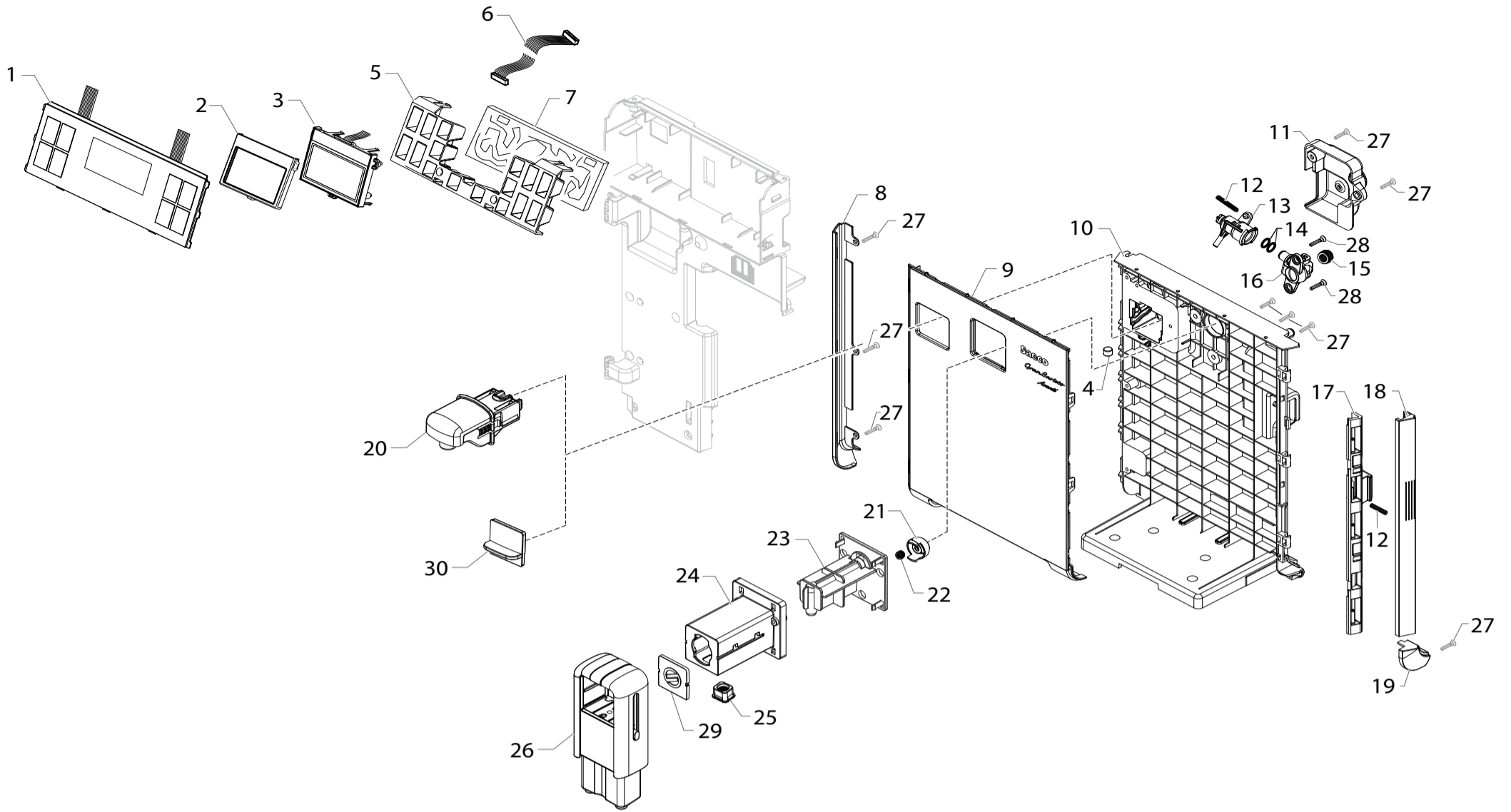
HD8967/01-47 HD8967/01  
 HD8968/01  
 HD8969/09



Cod.882896701010-882896747540-882896701020  
 Cod.882896801010-882896801020  
 Cod.882896909870-882896909830

POS	CODE	12NC	DESCRIPTION	NOTE	POS	CODE	12NC	DESCRIPTION	NOTE
61		421944029771	BLK ADDITION.BEAN CONT.V2+SEAL CST ASSY.						
62		421944035081	DISPLAY BOX FOR ACC.SAE CST						
63		421944008161	BLK COVER HOLE TOP COVER CASING CST						
64		421944024421	BT BOARD SUPPORT CST/BT						





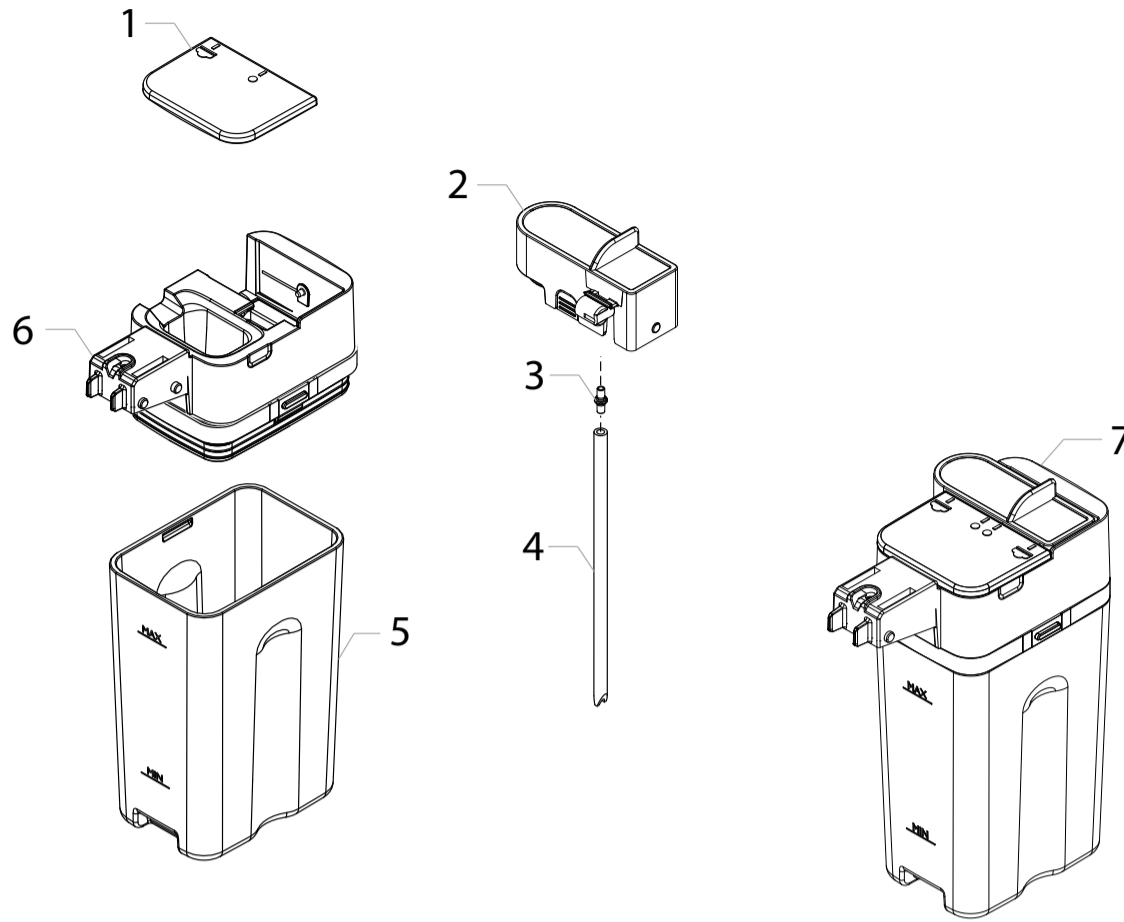
HD8967/01-47 HD8967/01  
 HD8968/01  
 HD8969/09



Cod.882896701010-882896747540-882896701020  
 Cod.882896801010-882896801020  
 Cod.882896909870-882896909830

POS	CODE	12NC	DESCRIPTION	NOTE	POS	CODE	12NC	DESCRIPTION	NOTE
01		421944033481	TRANSP.FRONT CASING S/SCR.V2 CST ASSY.						
02	17001439	996530073706	BLACK DISPLAY SEAL CST						
03		421941306611	DISPLAY LCD BLUE 160X80 CST						
04	9161.111	996530050555	MAGNET FOR FLOAT SUPERAUT.						
05		421944032951	WHT GUIDE LIGHT FRONT CASING V2 CST						
06	17800579	996530073759	10POLES CPU-PWR FLAT CABLE CST						
07	11028629	996530073924	CPU+SW CST/B ASSY.						
08		421941301651	CHROM.DOOR LEFT INSERT CST						
09		421944034191	SS DOOR COVER S/SCR+LOG.SAE CST/HMB ASSY						
10		421944026892	BLK DOOR V3 CST						
11		421944007781	BLK STEAM CONNECTOR COVER CST						
12	17000006	996530009559	TWO WAY TEFLON TUBES SUPPORT SPRING MYB9						
13		421944007791	BLK CARAFE CONNECTOR INSERT CST						
14	12000621	996530007857	O-RING 2031 EPDM						
15		421944000271	BLK VALVE/BOILER WATER TUBE SEAL V2 CST						
16		421944007801	BLK CARAFE CONNECTOR INSERT SUPPORT CST						
17		421944000062	BLK BUTTON FOR DOOR RELEASE V2 CST						
18		421941301641	CHROM.DOOR RIGHT INSERT CST						
19		421941301631	CHROM.DOOR CLOSING RIGHT INSERT CST						
20		421944028641	G/ANT.HOT WATER DISPENSER CST ASSY.	HD8968/01-HD8969/09					
		421944034511	G/ANM HOT WATER DISPENSER CST ASSY.	HD8967/01					
21	149213450	996530018123	BLK CAP FOR REAR COF.DISPENSER TUBE						
22	11013789	996530006858	BLACK EV CONNECTOR SEAL MYB9						
23	17001706	996530073773	BLACK COFFEE DISPENSER TUBE CST						
24		421941301231	CHROM.COF.DISPENS.SUPP.CST						
25	11013072	996530006604	BLACK SEAL FOR COFFEE DISPENSER MYB9						
26		421944029501	SB/SS COF.DISPEN.V2 CST/HM ASSY.						
27	12001728	996530070321	SCREW TCBR TORX 10 3,5X12 PLAST.SS						
28	12000450	996530007819	SCREW TCBR TORX 10 3,5X12 PLAST.ZN-N						
29		421944038491	SB/SS COF.DISPENS.SUPP.CAP V3 CST/HM AS.						
30		421944026761	CHR.CONNECT.CAP FOR CARAFE CST ASSY.						





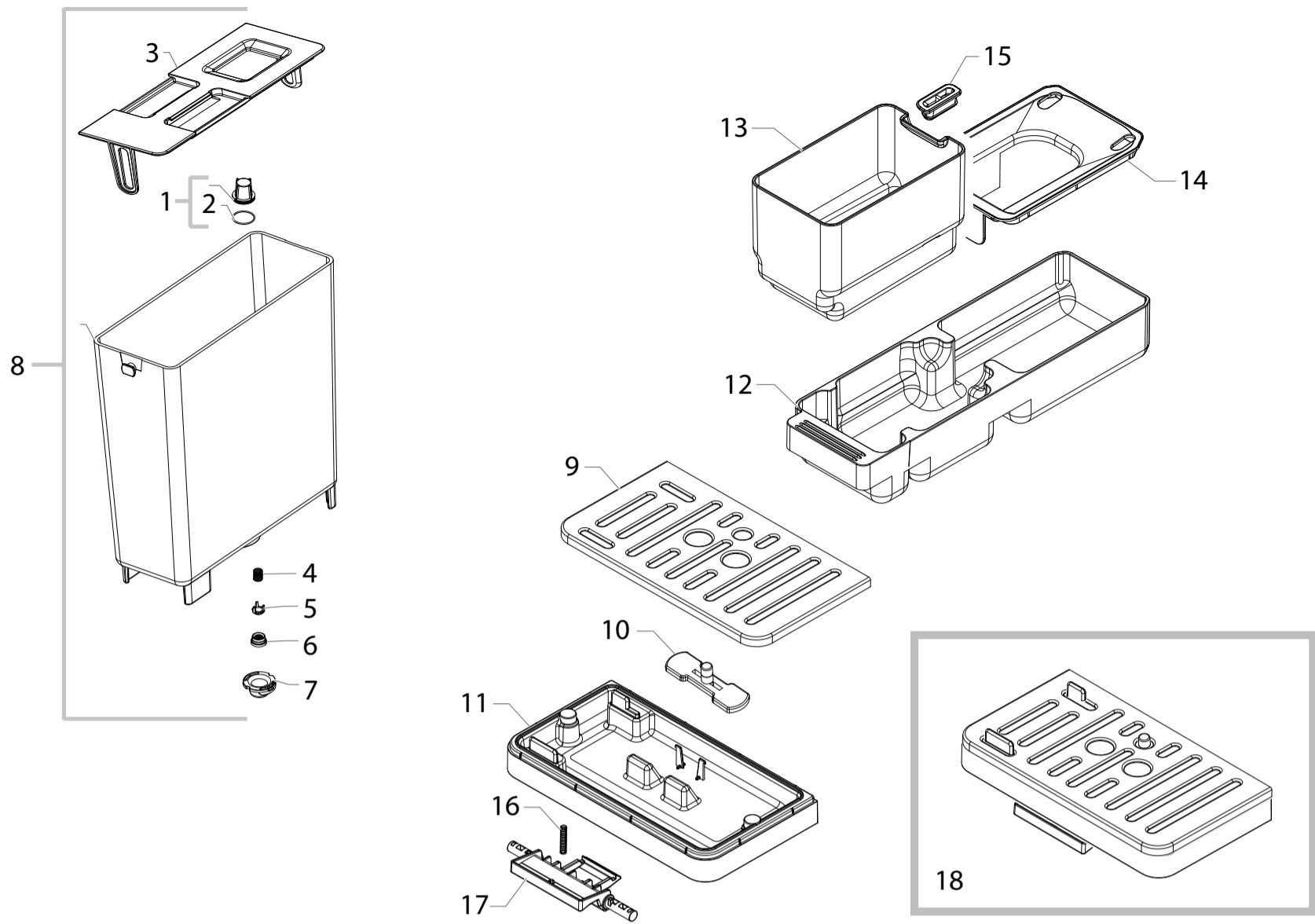
HD8967/01-47 HD8967/01  
 HD8968/01  
 HD8969/09



Cod.882896701010-882896747540-882896701020  
 Cod.882896801010-882896801020  
 Cod.882896909870-882896909830

POS	CODE	12NC	DESCRIPTION	NOTE	POS	CODE	12NC	DESCRIPTION	NOTE
01		421944007561	BLK CARAFE COVER PLUG SMR/T						
02		421941307191	KIT SPAR.BLK CAP.COV.SERVO CAR.SMRT/AS						
03	17001362	996530068626	BLK MILK INTAKE TUBE CONNECT.INS.V2 RYL						
04	11012814	996530067584	SILICONE TUBE 3,5X6 L=140 MM						
05		421944032881	TRANSP./GREY PH-11514 CARAFE V2 HGO/T						
06		421941307041	KIT SPARES BLK UPP.COV.SERVO CAR.SMRT/T						
07		421944029452	TRANSP/BLK GEN.CARAFE SLID.V2 SMR/T ASSY						





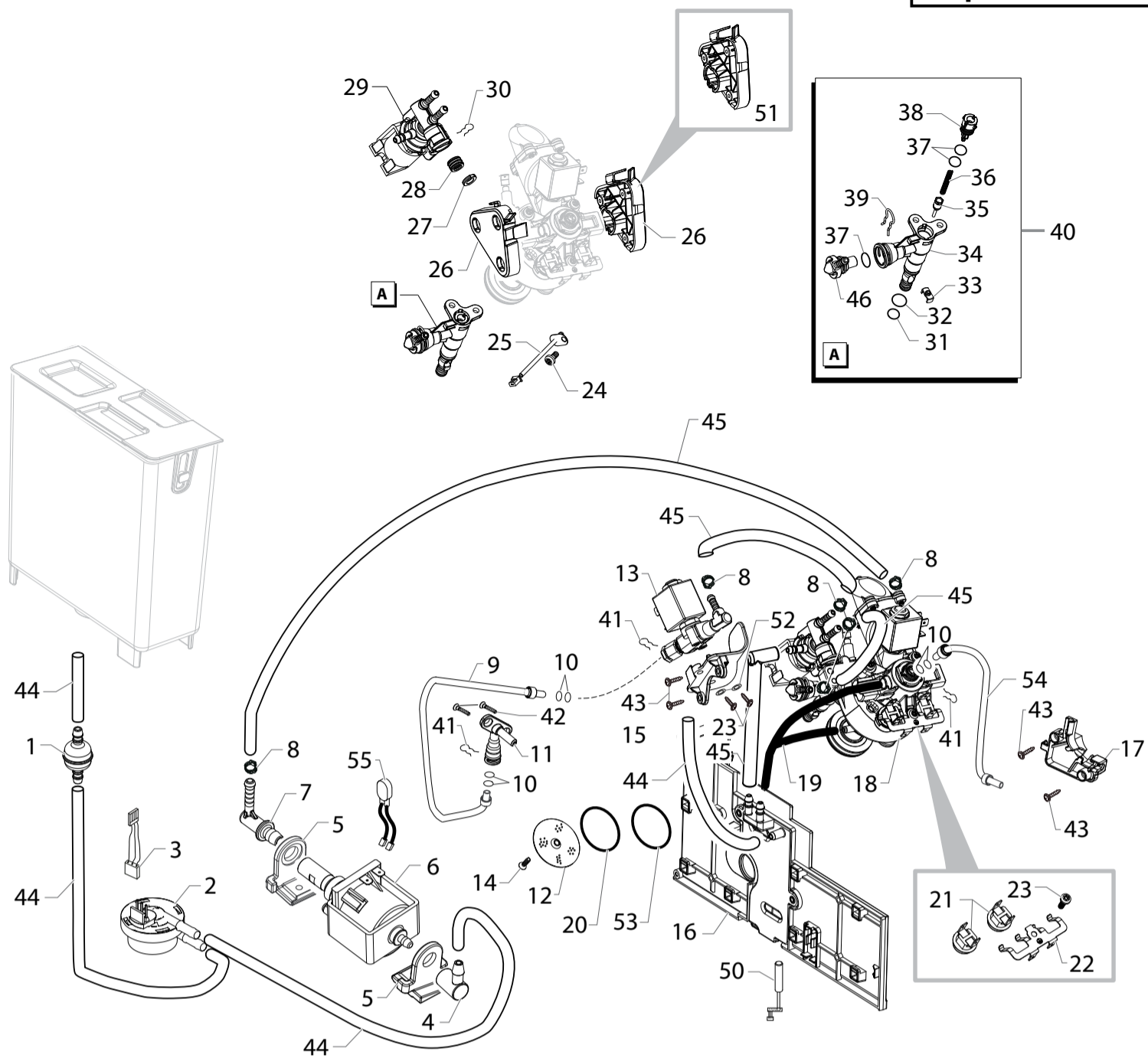
HD8967/01-47 HD8967/01  
HD8968/01  
HD8969/09



Cod.882896701010-882896747540-882896701020  
Cod.882896801010-882896801020  
Cod.882896909870-882896909830

POS	CODE	12NC	DESCRIPTION	NOTE	POS	CODE	12NC	DESCRIPTION	NOTE
01	224640200	996530029115	WHITE WATER CONTAINER EXT.FILTER ASSY.	WITH PART.N°2					
02	140328461	996530013571	OR ORM 0190-10 EPDM						
03		421944000221	NAT/GRY WATER CONTAINER HANDLE V2 CST						
04	11003672	996530001831	SS SPRING FOR WATER CONTAIN.VALVE P0049						
05		421941157852	GRY WATER CONTAINER VALVE INSERT P0049						
06	11003671	996530001829	TRANSP.VALVE FOR WATER CONTAINER P0049						
07	17001366	996530073463	BLACK LID FOR DUCKBILL VALVE SMR						
08	17001736	996530073774	NAT/GRY WATER CONTAINER CST ASSY.						
09		421944026731	BA/SS DRIP TRAY GRATE CST/H						
10		421944003041	RED/BLK FLOAT FOR DRIP TRAY CST						
11		421944034113	G/ANM DRIP TRAY V3 CST (F) ASSY.	HD8967/01-47					
		421944030053	G/ANT DRIP TRAY V3 CST (F) ASSY.	HD8968/01-HD8969/09					
12	17001905	996530073696	BLACK COFFEE UNIT DRIP TRAY CST						
13	17000946	996530073701	BLACK DUMP BOX CST ASSY.						
14		421944016031	BLK DRIP TRAY COF.BREW UNIT COVER V2 CST						
15		421944015541	DRIPTRAY COF.BREW UNIT COVER SEAL V2 CST						
16	17000006	996530009559	TWO WAY TEFLON TUBES SUPPORT SPRING MYB9						
17		421944028551	LEV.HOOK FOR RECOV.TAN. WAT.V2 CST						
18		421941307321	KIT SPARES G/ANM DRIP TRAY V2 CST ASSY.	HD8968/01-HD8969/09					
		421941307331	KIT SPARES G/ANT DRIP TRAY V2 CST ASSY.	HD8967/01					





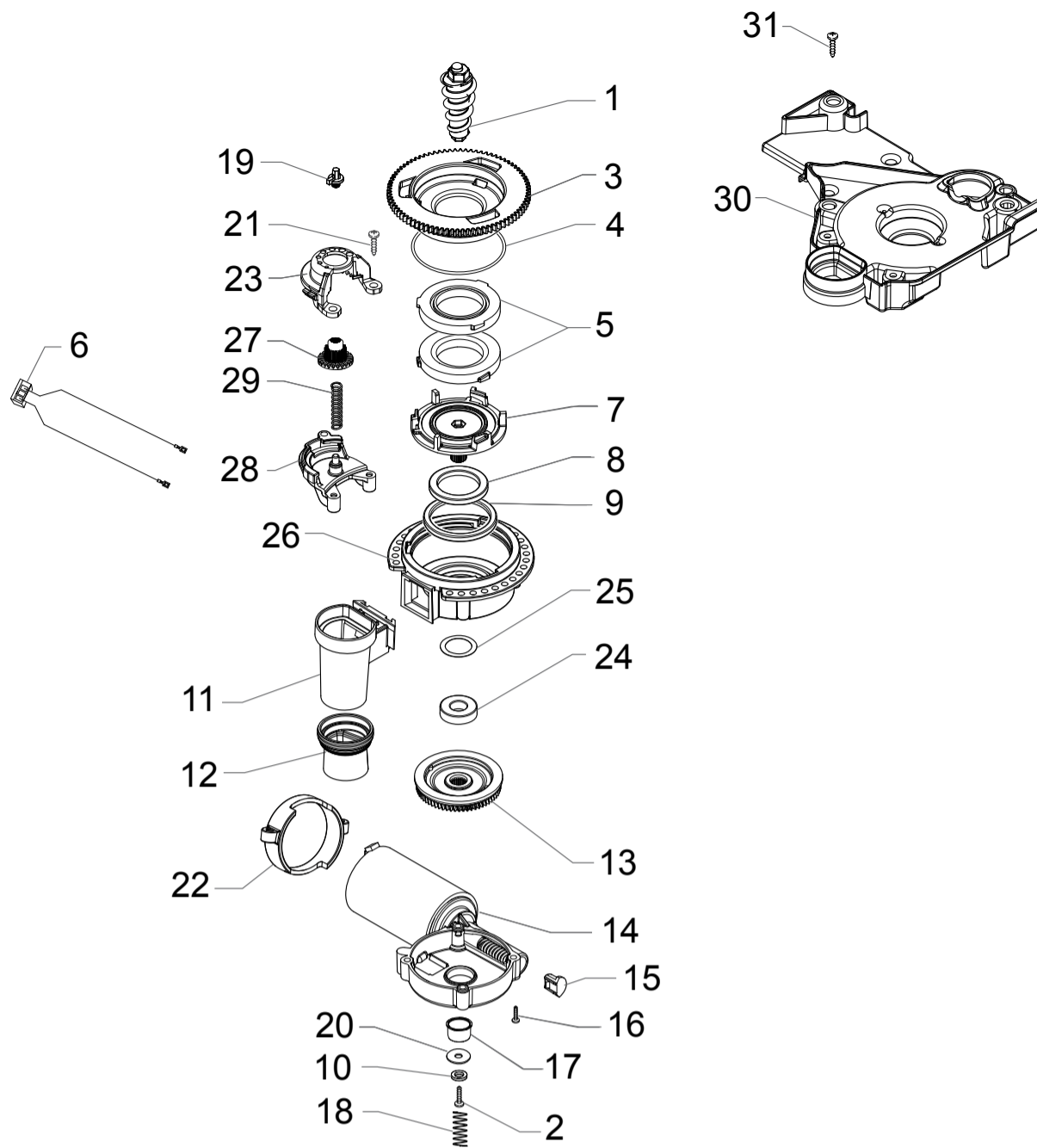
HD8967/01-47 HD8967/01  
HD8968/01  
HD8969/09



Cod.882896701010-882896747540-882896701020  
Cod.882896801010-882896801020  
Cod.882896909870-882896909830

POS	CODE	12NC	DESCRIPTION	NOTE	POS	CODE	12NC	DESCRIPTION	NOTE
01	12001595	996530067498	TRANSP/WHITE ASPIRATION FILTER MDS		37	12000621	996530007857	O-RING 2031 EPDM	
02	NV99.099	996530059843	TURBINE D=1,2 932-8521/00 ASSY.		38	17001778	996530073745	BLACK CAP FOR PIN BOILER CST	
03	17800446	996530073716	6POLES CONNECT.DRIP TRAY+FLOWMETER CST		39	11005096	996530002744	SS FORK SPRING FOR BLOWDOWN VALVE P0049	
04	147920150	996530017348	90° INLET PUMP CONNECTOR		40	17001776	996530073687	PIN FOR BOILER CST ASSY.	
05	17001235	996530073716	BLACK PUMP SUPPORT CST		41	9011.144	996530048885	SS FORK FOR TUBE D=4	
06	12000140	996530007753	ULKA PUMP EP5/S GW	230V-50HZ	42	12001787	996530073717	SCREW TCB TORX 10 3X8 PLAST.SS	
	12000142	996530007754	ULKA PUMP EAP5/S 120V-60HZ	HD8967/47	43	12001622	996530068586	SCREW TCB TORX B 3,5X9,5 SCHEET NIK	
7	17002000	996530073739	BLK PUMP OUTLET CH12 90°CONNECTOR CST		44	JS01.022	996530057357	SILICONE TUBE 5X10 60SH	IN ROLL
08	12000892	996530007947	OETIKER CLAMP D=9,5 16700004		45	16000380	996530009505	5X8,9 SILICONE TUBE	IN ROLL
09		421941305021	TEFLON TUBE 2X4 L=220 MM ASSY.		46		421941200532	BLK BLOWDOWN VALVE CAP V2 MYB9	
10	140328059	996530013564	OR 2015 SILICONE PTFE/FDA		50	17800442	996530073661	2POLES CONNECT.SENSOR REED DUMP BOX CST	
11		421944007811	BLK OUTPUT STEAM TUBE CONNECTOR CST		51		421944032332	BLK PISTON UNIT UPPER PART SUPP.V3 CST	
12	9161.268	996530050709	PERCOLATOR DE=35,8 ELFO					<b>FROM S/N:TU901446163585</b>	
13		421944033041	SOLENOID VALVE V2 CST 24V ASSY.		52	128310404	996530012342	WASHER UNI 8842 A4 BURNISHED	
14	12000895	996530007951	SCREW TSP TORX 10 3X10 PLAST.SS		53	12000181	996530007781	OR METRIC 0340-30 IN SILICON	
15	17001697	996530073763	BLACK SOLENOID VALVE SUPPORT CST		54	17001855	996530074279	WHT TEFL.TUBE 2X4 L=220MM W/CHAMFER ASSY	
16		421944015991	BLK BREW UNIT LEFT SUPP.PLATE V2 CST ASS		55	17800435	996530074281	2P.CONN.COFFEE PUMP CST ASSY.	
17		421944031421	BLK TEFLON TUBE SUPPORT V2 CST						
18		421944033851	PISTON UNIT V4 CST ASSY.	230V					
		421944033871	PISTON UNIT V2 CST 120V ASSY.	HD8967/47					
19	17001902	996530073741	TRANSP.DRAIN OIL CONNECTOR CST						
20	NM01.044	996530059406	OR ORM 0320-40 SILICONE PTFE/FDA						
21	12001033	996530007973	THERMOSTAT ONE SHOT 190°						
22	17001521	996530073785	TUB.BOILER THERMOST.FIXING SPRING CST						
23	129583102	996530012941	SCREW TCB M4X12 AUTOFORMING ZN-B						
24	129573202	996530012921	SCREW TCB TORX 20 M4X8 AUTOFORMING ZN-B						
25	17800628	996530073428	TEMPERATURE SENSOR NTC UL L=550MM						
26		421944032331	BLK PISTON UNIT UPPER PART SUPP.V2 CST						
27		421944000281	WHT BOILER TUBE SPACER V2 CST						
28		421944000271	BLK VALVE/BOILER WATER TUBE SEAL V2 CST						
29		421944001171	BLOWDOWN VALVE V2 CST 24V ASSY.						
30		421944000261	SS FORK FOR TUBE D=6,25						
31	NM01.057	996530059419	OR ORM 0050-20 IN SILICONE						
33	11005099	996530002747	NATURAL CURSOR V2 FOR BOILER P119						
34	17001777	996530073785	NAT.PIN FOR BOILER CST						
35	11009019	996530005183	TEA/BRASS PISTON L=20,9 ASSY.						
36	9011.132	996530048874	SS SPRING FOR PIN						





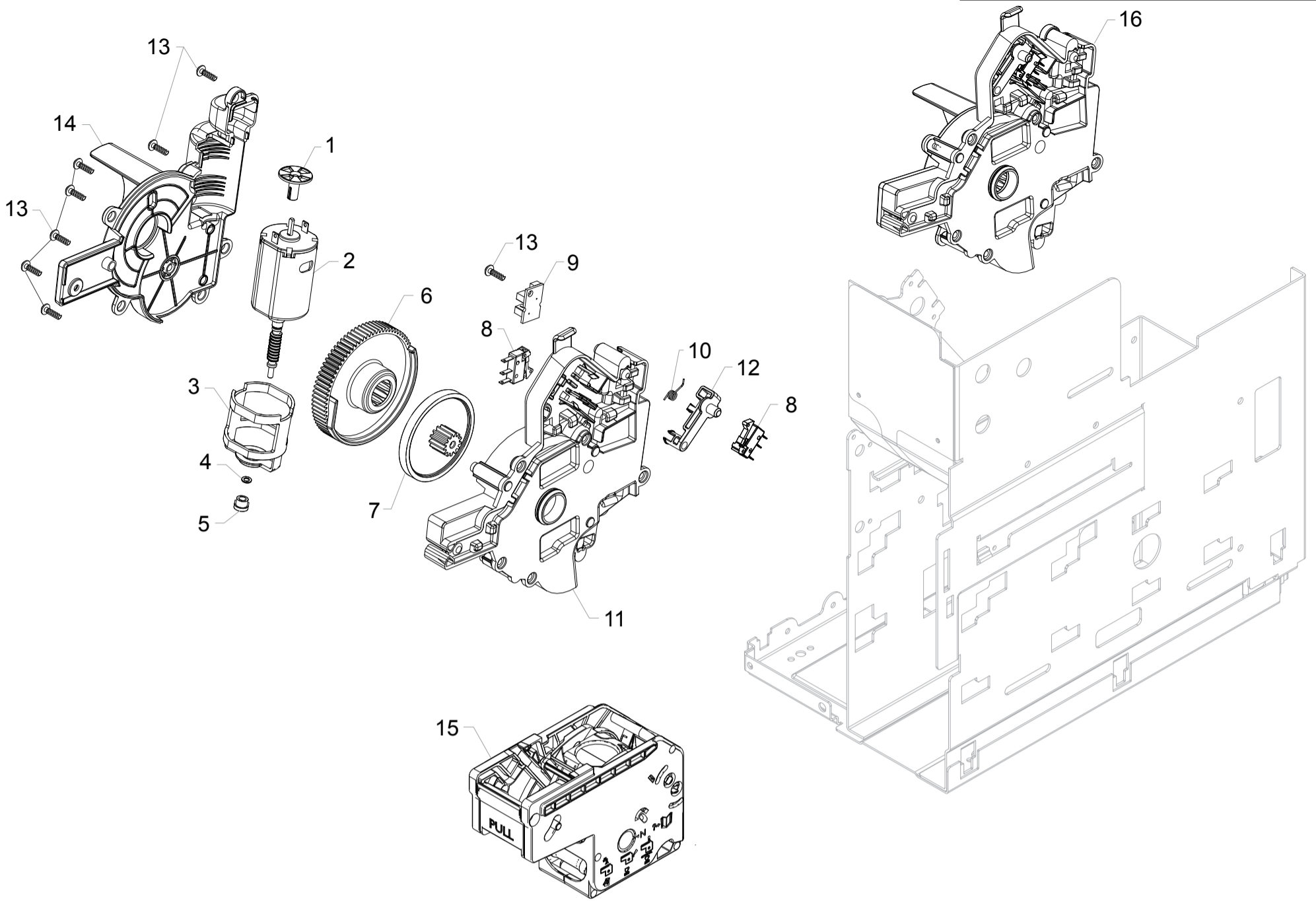
HD8967/01-47 HD8967/01  
HD8968/01  
HD8969/09



Cod.882896701010-882896747540-882896701020  
Cod.882896801010-882896801020  
Cod.882896909870-882896909830

POS	CODE	12NC	DESCRIPTION	NOTE	POS	CODE	12NC	DESCRIPTION	NOTE
01		421944038321	TEA/ZAMA GRIND.INCREASE SCREW V2 CST AS						
02	129574802	996530012928	SCREW TCB TORX 20 M4X30 ZN-B						
03		421941094152	BLK COF.GRINDER UPPER GRINDER SUPPORT V2						
04	140328960	996530013577	OR ORM 0530-15 NBR FDA						
05	146520100	996530016342	BAKED CLAY GRINDER 48X28						
06	17800450	996530073694	2POLES CONNECTOR GRINDER MOTOR CST						
07	149198350	996530017952	BLK LOWER COFFEEGRINDER GRINDER SUPPORT						
08	123030300	996530011183	AXIAL BEARING EKKO 342.35252						
09	140360500	996530013597	FELT RING 45,4X39,4X4						
10	128310402	996530068049	GALV.WASHER UNI 8842 A4						
11	11026355	996530068049	BLK GROUND COFF.OUTLET CONVEYOR V4 ASSY.						
12	17001261	996530073695	TRANSP.GROUND COFFEE CONT.LOWER SEAL.CST						
13	226000300	996530029609	GEAR SX Z=38 FOR GRINDER MOTION ASSY.						
14	11000513	996530000317	MOTOR COFFEEGRINDER V3.1 230V ASSY.						
		421941305001	MOTOR COFFEEGRINDER V3.1 120V ASSY.	HD8967/47					
15	149214800	996530018139	MC V3 MOD=1,25 WORM SCREW CENTRING CAP						
16	129661702	996530012992	SCREW TCB TORX 3,5X30 PLAST.ZN-B						
17	11002873	996530001389	INSULATOR BUSH FOR GRINDER MOTOR P124						
18	11000597	996530000376	STEEL COF.GRINDER SUPPORT SPRING P124						
19		421944001091	YLW BEAN COFFEE GRINDER INSERT HGO						
20	128381902	996530012375	STEEL FLAT WASHER DI=4,3 DE=14 SP=1,5						
21	129914002	996530013165	SCREW TCB TORX 10 3,5X16 PLAST.ZN-B						
22	11000194	996530000115	BLACK COFFEEGRINDER MOTOR SUPPORT P124						
23	11002508	996530001296	UPPER COFFEEGRINDER GEAR SUPPORT P124						
24	123030200	996530011182	RADIAL BEARING 61900.2RS1						
25	128381800	996530012374	STEEL CRINKLE WASHER 21,8X14X0,25						
26	142905450	996530015258	BLK UPPER BODY WITH COFFEE GROUND OUTLET						
27	11003784	996530001907	COFFEE GRINDING ADJUSTMENT GEAR P0049						
28	11002613	996530001314	LOWER COFFEEGRINDER GEAR SUPPORT P124						
29	11002572	996530001308	COFFEEGRINDER REGULATION SPRING P124						
30	17001681	996530073702	BLK COF.GRINDER SOUNDPROOFING COVER CST						
31	12000450	996530007819	SCREW TCB TORX 10 3,5X12 PLAST.ZN-N						
		421944038311	GEN.MOTOR COF.GRINDER V2 CST/HM 230V AS						
		421944038331	GEN.MOTOR COF.GRIND.V2 CST/HM 120V ASSY.	HD8967/47					





HD8967/01-47 HD8967/01  
 HD8968/01  
 HD8969/09

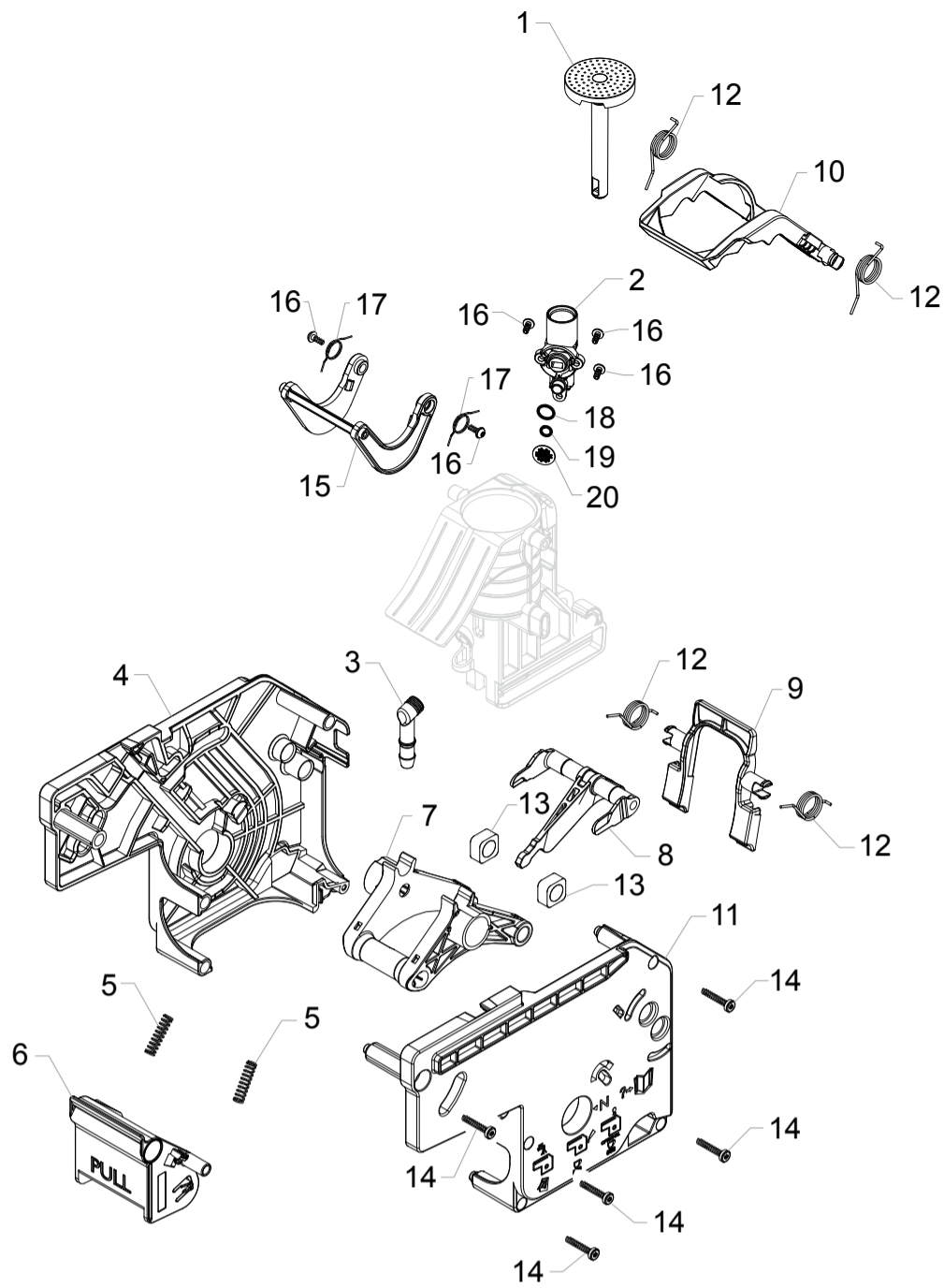


Cod.882896701010-882896747540-882896701020  
 Cod.882896801010-882896801020  
 Cod.882896909870-882896909830

POS	CODE	12NC	DESCRIPTION	NOTE	POS	CODE	12NC	DESCRIPTION	NOTE
01	17000797	996530073711	BLACK ENCODER MOTOR INSERT CST						
02	17001611	996530073707	MOTOR FOR RATIOMOTOR CST ASSY.						
03	9121.044	996530049896	ANTIVIBRATION FOR MOTOR						
04	148380200	996530017424	BAKELIZZATE WASHER D=5,5						
05	9121.046	996530049898	BRONZE SINTERED BUSH FOR MOTOR RATIOMOT.						
06	17000800	996530073735	BLACK GEAR Z=77 FOR RATIOMOTOR CST						
07	146002800	996530016272	GREY GEAR Z=13/90 FOR RATIOMOTOR P124						
08	12001841	996530073474	MICROSWITCH XC/SM1						
09	11027610	996530073742	GHEAR BOX ENCODER BOARD CST						
10	11013785	996530006856	STEEL TEFLON TUBES SUPPORT SPRING MYB9						
11	17000807	996530073689	BLK RATIOMOTOR CASING WITH PIN CST ASSY.						
12	17000798	996530073691	BLK BREW UNIT PRESENCE MICRO LEVER CST						
13	12000450	996530007819	SCREW TCBR TORX 10 3,5X12 PLAST.ZN-N						
14	17000795	996530073771	BLACK RATIOMOTOR COVER CST						
15		421944028571	BLK BREW UNIT V2 CST						
16	17000794	996530073697	BLACK RATIOMOTOR CST ASSY.						







HD8967/01-47 HD8967/01  
 HD8968/01  
 HD8969/09



Cod.882896701010-882896747540-882896701020  
 Cod.882896801010-882896801020  
 Cod.882896909870-882896909830

POS	CODE	12NC	DESCRIPTION	NOTE	POS	CODE	12NC	DESCRIPTION	NOTE
01	17000764	996530073722	BLK BREW UNIT INTEGRAL PISTON CST ASSY.						
02	17000757	996530073789	BLACK BREW UNIT WATER INLET SLEEVE CST						
03	17001293	996530073729	BLK BREW UNIT DRAIN COFFEE CONNECT.CST						
04	17000751	996530073727	BLACK BREW UNIT LEFT PLATE CST						
05	17000006	996530009559	TWO WAY TEFLON TUBES SUPPORT SPRING MYB9						
06	17000767	996530073728	BLACK BREW UNIT COUPLING LEVER CST						
07	17000753	996530073766	BLACK BREW UNIT ELBOW SHAFT CST						
08	17000754	996530073714	BLACK BREW UNIT CONNECTING ROD CST						
09	17000768	996530073768	BLACK BREW UNIT LOCKING LEVER CST						
10	17000755	996530073705	BLACK BREW UNIT PISTON SCRAPER CST						
11	17000752	996530073704	BLACK BREW UNIT RIGHT PLATE CST						
12	17000765	996530073713	SS BREW UNIT COUNTERP.SCRAPER SPRING CST						
13	9161.094.050	996530050539	BLACK BREW UNIT DRILLED BLOCK						
14	12000897	996530007953	SCREW TCB TORX 10 3,5X20 PLAST.SS						
15	17000756	996530073767	BLK BREW UNIT COUNTERPISTON SCRAPER CST						
16	12001787	996530073767	SCREW TCB TORX 10 3X8 PLAST.SS						
17	17000766	996530073733	SS BREW UNIT PISTON SCRAPER SPRING CST						
18	NM01.035	996530059399	OR ORM 0090-20 SILICONE						
19	12000070	996530007732	OR ORM 0060-15 SILICONE						
20		421944015931	SS BREW UNIT COF.FILTER HOLES D=1 CST						
		421944028571	BLK BREW UNIT V2 CST						

