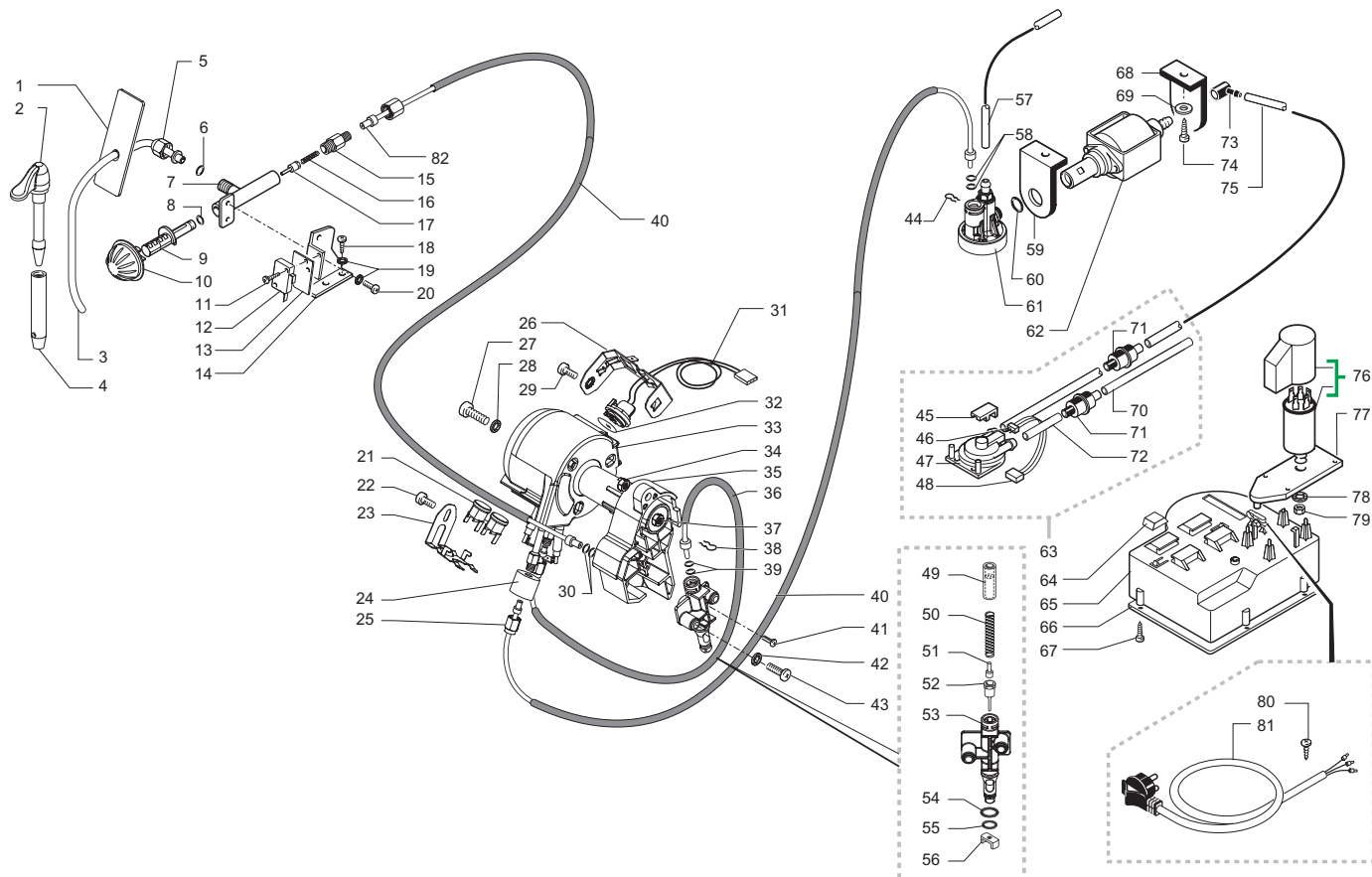


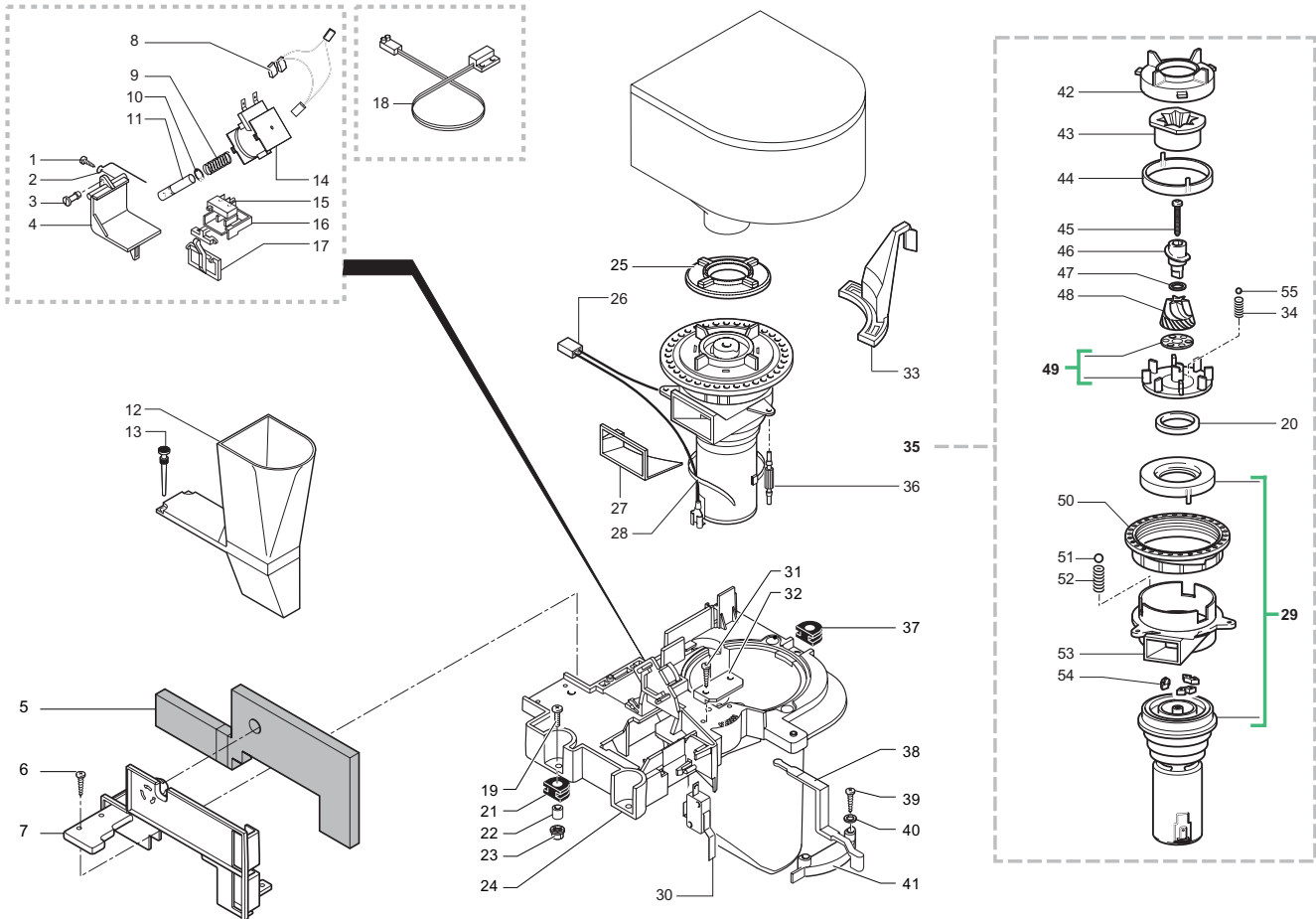
Rif.	Code	Description	Version
01	U043.012	SCREW TCB TORX 20 M4X6 ZN-B	
02	9991.068	BRUSH FOR CLEANING	
03	0347.011.050	FIDEX SLEEVE	
04	9972.026	SILICONE TUBE BROWN 5X8 L.173 MM	
05	0360.005.710	MOBILE DISPENSER CASING GREY RED.	
06	NM02.010	OR ORM 0050-20 TERMOIL	
07	0360.A03.710	DISPENSER ASS. REDESIGN	
08	0301.033.150	TANK CASING GREY	
09	U143.003	PANELVIT TCB 3,5X16 TESTA D.8 GALV	
10	0347.009.430	CHROMATE GRID FOR TANK	
11	0347.013.970	RED BALL FLOAT	
12	0314.022.710	GREY DRIP TRAY	
13	0360.006.430	DISPENSER COVER RED.IN ZAMA CROM.	
14	0347.005.710	FIXED CASING DISPENSER BLACK	
15	0347.A02.710	WHOLE MESH GREY UPPER DISPRAL 7021	
16	NM02.010	OR ORM 0050-20 TERMOIL	
17	0347.A05.710	WHOLE MESH GREY LOWER DISP. RAL7021	
18	NE15.003	MALE TONGUE PLAIN 6,3 D.5,2	
19	U208.001	TOOTHED WASHER 4,3X8 UNI 3703 B	
20	U127.010	SCREW TAPT.TCB M4,0X10 DIN 7500C	
21	0360.002	TUBE	
22	0360.019.660	CLEAR GREY CUP WARMING PLATE MAGIC ASSY.	
23	0317.006	CUP WARMER SEAL	
24	0327.036	GENERAL SWITCH PROTECTION	
25	NE03.038	BIPOLAR SWITCH FUSIT C1250AR	
26	0312.026.710	CASING ASS. GREY RAL 7021	
27	0701.031.150	SEAL COVER GREY	
28	NM05.013	SEAL GACO DIM 14 MIELE	
29	0701.014.150	SEAL CONTAINER GREY	
30	U111.004	screw AUT.TSP 2,9X9,5 DIN 7982 C	
31	NM02.004	OR ORM 0080-20 TERMOIL	
32	U110.005	screw AUT.TCB 3,9X9,5 DIN 7981 F	
33	0312.032.710	DUMP BOX PAINTED GREY RAL 7021	
34	0301.022.770	SILVER COFFEE LID	
35	U143.003	PANELVIT TCB 3,5X16 TESTA D.8 GALV	
36	U143.007	screw TORX TCB 2,9X19 SS BUR	
37	0301.048.150	ROTATING RING GREY	
38	9991.096	ADHESIVE FOOT 8X15X3,2	
39	0301.023.770	SILVER WATER LID	
40	NM01.032	RED SILICONE OR ORM 0060-30	
41	9161.110	SPRING FOR PISTON FOR SUPERAUTOM.	
42	9111.027.150	GREY PISTON FOR WATER CONTAINER	
43	9161.050.230	NAT/TRANSP.CAP FOR FLOATING SPACE MAGIC	
44	9161.112.150	LEVEL FLOAT GREY	
45	0301.046.230	WATER TANK ASS. SUPERAUTOM.	
46	0329.006.230	COFFEE CONTAINER	
47	0314.905	TECHMATE RIGHT LOWER INSERT	

Rif.	Code	Description	Version
48	0301.029.770	POWDER DOSER LID SILVER	
49	0360.008.770	COVER MAGIC COMFORT SILVER RED.	
50	0301.019	PEG FOR DOOR SUPERAUTOM.	
51	9161.140	SEAL FOR UNIT PLATE	
52	0301.020	PIN FOR DOOR SUPERAUTOMATICA	
53	NV01.001	ADHESIVE FOOT	
54	0301.041.150	UNIT SUPPORT PLATE GREY	
55	0317.903	RIGHT UPPER INSERT IN TECHMATE	
56	0360.018.710	DOOR CLOSURE KNOB RED.SER.	
57	U433.001	NAIL 2X06 UNI 7591 BURN.	
58	0301.040.150	DOOR CLOSURE LEVER GREY	
59	0313.012.710	DOOR COVER S/SCREEN GREY	
60	0360.017.710	DOOR ASS. MAGIC SER. RAL 7021	
61	9991.040.150	MEASURE GREY	
62	9161.021.150	KEY FOR BREW UNIT GREY	
63	0317.902	LEFT UPPER INSERT IN TECHMATE	(D)
64	0314.909	DRIP TRAY BOX	(D)
65	0330.906	SPACER IN POLYSTYRENE	(D)
66	0314.904	TECHMATE LEFT LOWER INSERT	(D)
67	0360.901	EXTERNAL BOX FLEXO MAGIC	
68	0313.013	RESIN PACKET INTAFIL SYSTEM	
69	0313.015	RESIN CONTAINER LID INTAFIL	
70	0313.014	RESIN CONTAINER INTAFIL SYSTEM	
71	0313.016	WATER TANK ADAPTER INTAFIL	
72	0360.951	INSTRUCT.BOOKLET MAGIC COMFORT D	
	0360.952	INSTRUCT.BOOKLET MAGIC COMFORT F	
	0360.953	INSTRUCT.BOOKLET MAGIC COMFORT I	
	0360.954	INSTRUCT.BOOKLET MAGIC COMFORT NL	
	0360.955	INSTRUCT.BOOKLET MAGIC COMFORT GB	
	0360.956	INSTRUCT.BOOKLET MAGIC COMFORT E	
	0360.957	INSTRUCT.BOOKLET MAGIC COMFORT P	



Rif.	Code	Description	Version
01	0360.021.150	INTERNAL PROTECTION FOR TUBE GREY	
02	9990.008.050	PANNARELLO ASS.BLACK REDESIGN	
03	0360.010	STEAM TUBE	
04	9991.153	EXTERNAL COVER PANNAREL.CHROMED	
05	9161.438	NUT FOR STEAM TUBE	
06	NM02.011	OR ORM 0060-20 TERMOIL	
07	9161.293	BRASS FAUCET BODY	
08	NM02.001	OR 2018 EPDM	
09	9161.057	STEAM FAUCET ROD	
10	0347.017.710	GREY STEAM KNOB RAL 7021 SERIG.	
11	U109.014	SCREW AUT.TCB 2,9X16 DIN 7981 C	
12	NE05.013	MICROSWITCH	
13	9991.014	CARD FOR MICRO SWITCHES	
14	0301.006	BRACKET FOR STEAM FAUCET	
15	9161.441	BRASS CONNECTOR FOR FAUCET	
16	9011.007	SPRING FOR PIN	
17	9019.A04	PIN ASS. SUPERAUTOMATICA	
18	U110.013	screw AUT.TCB 3,9X6,5 DIN 7981 F	
19	U208.001	TOOTHED WASHER 4,3X8 UNI 3703 B	
20	U043.003	screw TCBC M4,0X8 UNI 7687 GALV.	
21	189428200	THERMOSTAT 175° 1NT-08L-3794	
22	129573402	SCREW TAPT M4X10 DIN 7985 GALV	
23	126838117	2 THERMOSTATS FIXING SPRING	
24	147756562	PROTECTION FOR FOLK SPRING TUBE D=4	
25	9979.B30	TEFLON ASS. TUBE 2X4 L.200	
26	126838017	SENSOR FIXING SPRING	
27	129827402	TCB SCREW M5X20 UNI 7687 ZNP	
28	128310521	WASHER UNI 8842 A5 SS	
29	129573402	SCREW TAPT M4X10 DIN 7985 GALV	
30	140328059	OR 2015 IN SILICONE PTFE/FDA	
31	288582200	SENSOR ASS.FOR ALLUM.BOILER AS.	
32	145950500	ELECTRIC INSULATING DISK D=16	
33	282058458	TUB.BOILER W/ADDIT.RESIST.1100W 230V	
34	123453302	GALV.SELF LOCK NUT M5 DIN 982	
35	9161.435	BLK TUBOL.BOILER SUPPORT FOR SUPERAUTOM.	
36	9979.B27	TEFLON ASS. TUBE 2X4 L.280	
37	123453902	SELF-LOCKI.NUT M5X0,8 DIN 980 CLA.8	
38	9011.144	SS FORK FOR TUBE D.4	
39	140326662	OR METRIC 0040-20 IN SILICONE	
40	9972.152	BLACK SILICONE TUBE 7,5X9,3 L=150 MM	
41	U140.004	PANELVIT TCB 3,0X12 DIN 7505 B GAL	
42	128310521	WASHER UNI 8842 A5 SS	
43	U043.030	screw TCBC M5,0X30 UNI 7687 GALV.	
44	9011.144	SS FORK FOR TUBE D.4	
45	9161.018	BRACKET FOR TURBINE	
46		<b>PARTICULAR NOT AVAILABLE</b>	SEE PART.N°70
47	286473300	-M-VDE TURBINE WITH SENSOR KIT	

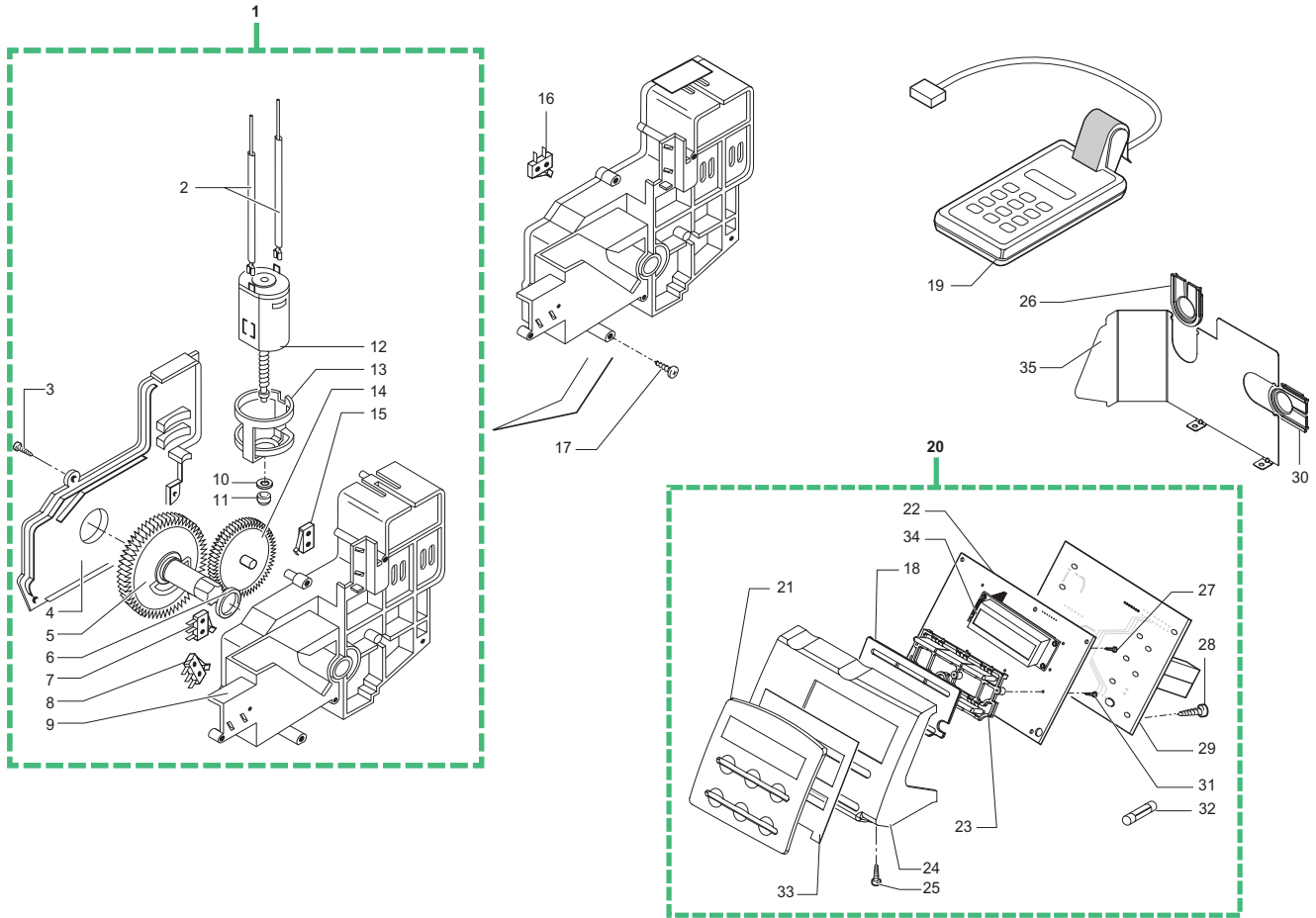
Rif.	Code	Description	Version
48	0314.815	CONNECTOR ASS. 3POLE TURBINE PROF.	
49	9991.217	BRASS BUSH PIN BOILER	
50	9011.132	SPRING FOR PIN	
51	9011.075	ADAPTER FOR LONG PIN	
52	9019.A01	PIN ASS.	
53	9161.434	BOILER PIN	
54	NM01.035	OR ORM 0090-20 SILICONE	
55	NM01.057	OR ORM 0050-20 IN SILICONE	
56	9011.099	PLASTIC CURSOR FOR BOILER VALVE	
57	9972.022	SILICONE TUBR 5X8 L.2MT	
58	140328059	OR 2015 IN SILICONE PTFE/FDA	
59	9991.056	SUPPORT FOR PUMP	
60	NM02.020	OR 2031 TERMOIL	
61	229452100	COMPENSATION AND SAFETY VALVE 16BAR ASSY	
62	9070.026.00A	PUMP 230V	
63	0327.A01	VDE TURBINE ASS. COMPLETE WITH TUB	
64	147620400	BLACK SQUARE ADHESIVE FOOT SJ-5018	
65	0301.056.150	POWER CABLE CONT. VDE GREY	
66	0301.055.150	LID FOR POWER CABLE CONT. GREY	
67	U143.003	PANELVIT TCB 3,5X16 TESTA D.8 GALV	
68	9991.056	SUPPORT FOR PUMP	
69	U207.004	PLAIN WASHER 4,3X16 UNI 6592 GAL	
70	9972.247	SILICONE TUBE 5X10 L.2000 MM	
71	NV99.001	ASPIRATION FILTER	
72	9972.022	SILICONE TUBR 5X8 L.2MT	
73	9991.084	RUBBER CONNECTION 90° ULKA	
74	U110.003	screw AUT.TCB 3,5X9,5 DIN 7981 F	
75	9972.022	SILICONE TUBR 5X8 L.2MT	
76	0301.A12.00A	ASS CAPPUCCIO + FILTRO	
77	0327.035.150	ANTIDISTURB FILTER SUPPORT	
78	U208.009	TOOTHED WASHER 8,4X15 UNI 3703	
79	U302.007	nut HEXAGONAL M8 UNI 5588	
80	U140.009	PANELVIT TCB 3,0X16 DIN 7505 B GAL	
81	NE01.120	CABLE SCHUKO GREY H05	
	NE01.114	POWER CABLE AUSTRALIA	
	NE01.118	CABLE CH H05 GREY 1 MM	
82	9979.B29	TEFLON ASS. TUBE 2X4 L.280	



Rif.	Code	Description	Version
01	U140.004	PANELVIT TCB 3,0X12 DIN 7505 B GAL	
02	9161.048	SCRAPER ROD	
03	9161.076.150	DOSER DOOR PIN GREY	
04	9161.074.150	DOSER DOOR GREY	
05	9161.382	INSULATOR FOR COFFEE GRINDER	
06	U140.004	PANELVIT TCB 3,0X12 DIN 7505 B GAL	
07	9161.366.150	GREY/7016 SUPPORT FOR INSULATOR	
08	0301.866	CONNECTOR ASS. 2 POLE DOSER COIL	<b>I</b> <b>B</b> <b>D</b> <b>CH</b>
09	9161.044	DOSER ELECTROMAGNET SPRING	
10	U701.003	SNAP RING 7 UNI 7434	
11	9161.041	DOSER ELECTROMAGNET CORE	
12	9161.223.150	COMPL.HOPP.FOR POWDER COFFEE GRE.	
13	9161.082	RUBBER COUPLER	
14	9129.A21.00A	WHOLE COIL X SUPERAUT. 230V	
	9129.A07.00H	COFFEE DOSER COIL ASS.240V	
15	NE05.017	MICROSWITCH	
16	9161.072.150	MICRO SUPPORT CURSOR GREY	
17	9161.073.150	DOSE CONTROL COMPENSATOR GREY	
18	0301.811	CONNECTOR 2 POLES LEVEL ASSY.	
19	U043.004	ZN-B TCB SCREW M4X16	
20	140360200	FELT RING 40X34X5	
21	9991.005	RUBBER FOR COFFEE GRINDER	
22	9141.003	SPACER FOR RUBBER	
23	U324.006	NUT M4 FLANGED INDENTED BASE	
24	9161.365.150	GREY PLATE FOR COFFEE GRINDER	
25	1505.020	GASKET COFFEE GRINDER UL	
26	0301.869	CONNECTOR ASS. 2 POLE COFFEEGRINDE	
27	1505.014	COFFEEGRINDER SEAL	
28	144320200	SELF LOCK STRIP L=200MM	
29	1501.R09.00A	MOTOR SPARE UNIT 230V	
30	NE05.037	MICROSWITCH	
31	U140.004	PANELVIT TCB 3,0X12 DIN 7505 B GAL	
32	9161.097.150	LEVER FIXING PLATE GREY	
33	9161.080.700	GRINDING ADJUSTM.LEVER BLACK	
34	126765517	STEEL SPRING SPHERE D=5,5MOTORMAGIC	
35	9140.036.00A	STANDARD COFFEE GRINDER 230V	<b>B</b> <b>D</b> <b>CH</b>
	9140.035.00A	STANDARD COFFEE GRINDER ITA 230V	<b>AUS</b> <b>I</b>
36	9991.103	ANTIVIBRATION FOR COFFEEGRINDER	
37	9991.005	RUBBER FOR COFFEE GRINDER	
38	0313.003.050	ADJUSTMENT LEVER BLACK	
39	U109.015	Screw AUT.TCB 2,9X9,5 DIN 7981 C	
40	U201.001	PLAIN WASHER 3,2X9 DIN 7349 GAL	
41	9161.403.150	DOSE ADJUST. SCALE GREY RAL 7016	
42	149186150	BLACK UPPER GRINDER SUPPORT MAGIC	
43		PARTICULAR NOT AVAILABLE	SEE PART.N°48
44	142844550	UPPER GRINDER COVER COFFEE GRIND.MAGIC	
45	129931002	TORX SCREW T10 TCB 3,5X40 SX ZNG	

Rif.	Code	Description	Version
46	147470763	INCREASE SCREW PIN COFFEE GRINDERMAGIC	
47	U201.002	PLAIN WASHER 10X16X0,2DIN 988 GAL	
48	226477700	KIT ITAL MILL GRINDERS	
49	149188750	CONICAL GRIND. SUPP. + RING MAGIC	
50	146570950	RING NUT FOR GRINDING ADJUSTMENT MAGIC	
51	128610421	STAIL.STEEL AISI 304 SPHERE D=3,2MM	
	9140.035.00A		
52	126770117	NEW SPRING SPHERE D=3,2MOTOR MAGIC	
53	9141.080	MOTOR SUPPORT	
54	140230400	SHOCK ABS .CONICAL GRINDER SUPPMAGIC	
55	128610521	STAIL.STEEL AISI 304 SPHERE D=5,5MM	

VERSIONI (AUS) (D) (B) (CH) (I)



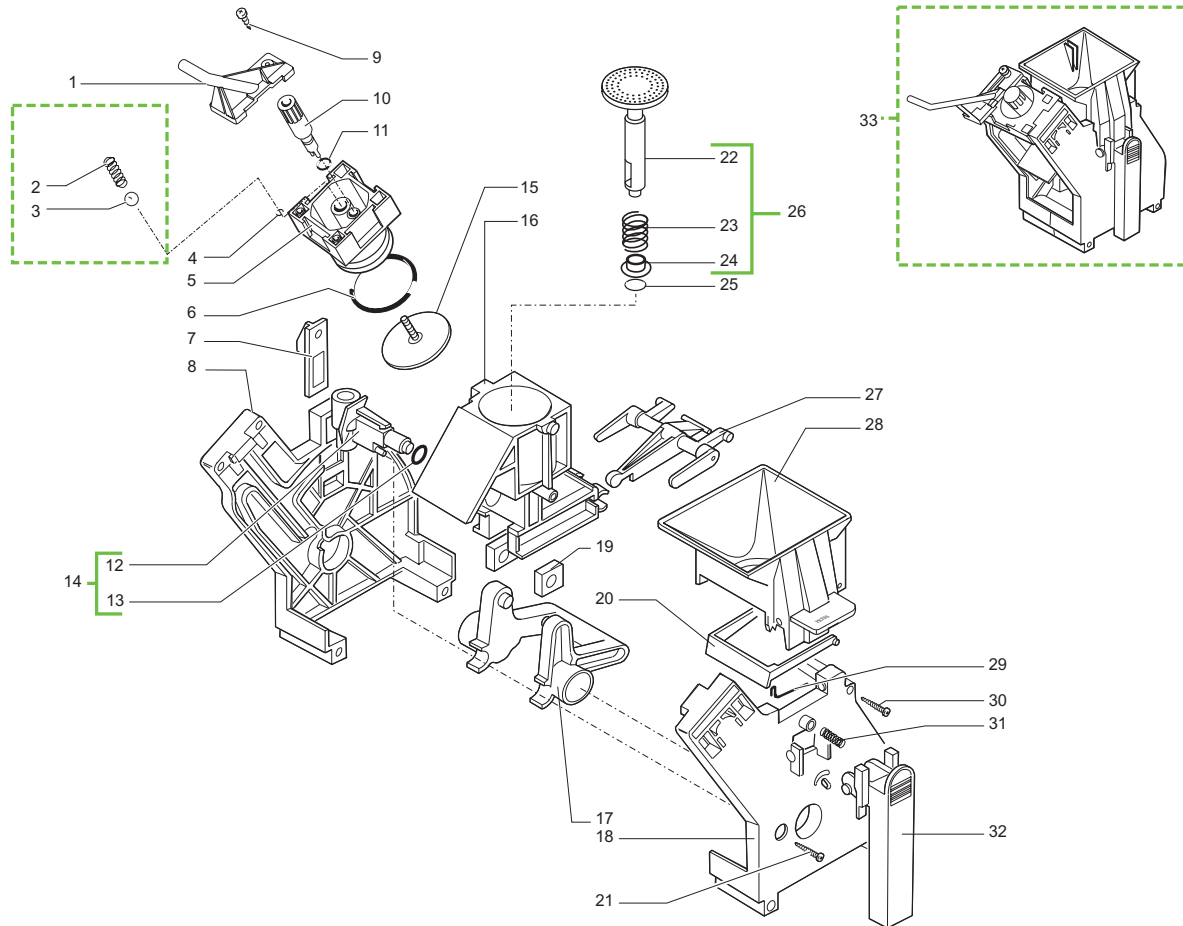
Rif.	Code	Description	Version	
01	9120.046.150	RATIOMOTOR WITH GREY TUBE ASSY.	SEE PART.N°12	
02		<b>PARTICULAR NOT AVAILABLE</b>		
03	U143.003	PANELVIT TCB 3,5X16 TESTA D.8 GALV		
04	9121.043.150	RATIOMOTOR LID GREY		
05	9121.069.150	GEAR Z=108 FOR MOUNTING PLATE M4000		
06	9161.368	MYLAR WASHER FOR RATIOMOTOR		
07	NE05.038	MICROSWITCH		
08	NE05.038	MICROSWITCH		
09	9121.064.150	CASING WITH TUBE AND PIN GREY		
10	9121.050	BAKELITE WASHER D.5.5		
11	9121.046	SINTERED BUSH FOR MOTOR		
12	9120.045	MOTOR FOR MAGIC RATIO MOTOR ASSY		
13	9121.044	ANTIVIBRATION FOR MOTOR		
14	9121.042	GEAR Z.12/90		
15	NE05.038	MICROSWITCH		
16	NE05.038	MICROSWITCH		
17	U143.003	PANELVIT TCB 3,5X16 TESTA D.8 GALV	(B) (D) (CH) (AUS) (I)	
18	0360.016	PROTECTION TOUCH PANEL IN SILICONE		
19	1411.000.00A	PROGRAMMER MAGIC 230V		
20	0360.R01.77A	SPARES ASS.ELECTRONIC CONFORT 230V		
	0360.R02.77A	SPARES ASS.ELECTRONIC CONFORT 230V		
21	0360.014.770	SILVER SERIGRAPHED ESCUTCHEON		
22	0360.802	CPU CARD COMFORT REDESIGN 230V		
	0360.810	CPU CARD COMFORT REDESIGN 230V		
23	0360.015.430	TOUCH PANEL 6 BUTTON		(B) (D) (CH) (AUS) (I)
24	0360.011.670	ELECTRONICS SUPPORT CONFORT RED.		
25	U140.004	PANELVIT TCB 3,0X12 DIN 7505 B GAL		
26	9161.429	PASSACAVO GRANDE X SQUADRETTA		
27	U145.002	SCREW AUT.TCB 3,0X6,0 PT WN 1412 S		
28	U140.002	PANELVIT TCB 3,5X20 DIN 7505 B GAL		
29	0360.801.00A	POWER CARD COMFORT REDESIGN 230V		
30	9161.429	PASSACAVO GRANDE X SQUADRETTA		
31	U117.001	SCREW AUT.PT TCB 2,5X006 WN 1442		
32	NE13.044	FUSE 5,0X20 8A 250V DELAYED		
33	0360.026	ADHESIVE X MAGIC CONFORT		
34	0360.805	DISPLAY MAGIC REDESIGN		
35	9161.430	PROTECTION BRACKET		

Rif.	Code	Description	Version

**CA SAECO MAGIC COMFORT REDESIGN**

VERSIONI **AUS** **D** **B** **CH** **I**

TYPE: SUP 012 DR



Rif.	Code	Description	Version
01	9161.367.150	GREY COFFEE OUTLET SLEEVE	
02	9161.222	SS.CONICAL SPRING	
03	9991.168	GLASS SPHERE D.5MM	
04	NM02.013	OR ORM 0080-15 TERMOIL	
05	9161.193.150	GREY COUNTERPISTON FOR COFFEE UNIT	
06	NM01.044	OR ORM 0320-40 IN SILICONE PTFE/FDA	
07	9161.067.150	GREY PLATE FOR UNIT COUPLING	
08	9161.070.150	GREY REAR PLATE FOR UNIT	
09	U140.019	SCREW TCB TORX 10 3X16 PLAST SS	
10	0701.R05.050	PIN FOR PERCOLATOR BLACK	<b>B</b> <b>D</b> <b>CH</b>
	0701.R05.150	PIN FOR PERCOLATOR GREY	<b>AUS</b> <b>I</b>
11	NM02.006	OR R5 TERMOIL	
12	9161.064.150	GREY WATER INLET SLEEVE BREW UNIT	
13	NM02.007	OR 2025 TERMOIL	
14	0301.R04.150	GREY WATER INLET SLEEVE BREW UNIT ASSY.	
15	0301.R18	SPARES UNIT PERCOLATOR	<b>AUS</b> <b>I</b>
	9160.075	PERCOLATOR DE=35,8 ELFO ASSY.	<b>B</b> <b>D</b> <b>CH</b>
16	9161.195.150	GREY CONTAINER FOR UNIT ASSY.	
17	9161.066.150	ELBOW SHAFT FOR UNIT GREY	
18	9161.071.150	GREY FRONT PLATE FOR UNIT	
19	9161.094.150	GREY DRILLED BLOCK BREW UNIT	
20	9161.060.150	GREY SCRAPER FOR COFFEE UNIT	
21	U140.020	PANELVIT TCB 3,0X16 DIN 7505 B SS	
22	9161.306.150	GREY INTEGR.PISTON BREW UNIT 8GR.ASSY.	
23	9161.198	SS.8GR.BREW UNIT PISTON SPRING	
24	9161.191	WHITE 8GR.-12GR.BREW UNIT PISTON BUSH	
25	NM02.018	OR ORM 0090-25 TERMOIL	
26	9161.343.150	GREY 8GR.BREW UNIT INTEGR.PISTON GEN ASSY	
27	9161.065.150	GREY CONNECTING ROD FOR UNIT 8GR.	
28	9161.123.150	GREY HOPPER FOR UNIT W/SILK SCREEN PRESS	
29	9161.046	SPRING FOR UNIT SCRAPER	
30	U109.026	SS.SCREW AUT.TCB 3,5X19 DIN 7981 C	
31	9161.045	SPRING FOR UNIT HANDGRIP	
32	9161.069.150	GREY HANDGRIP FOR COFFEE UNIT	
33	9160.069.150	BREW UNIT ELFO TYPE C REDESIGN	<b>B</b> <b>D</b> <b>CH</b>
	9160.077.150	BREW UNIT ITALY TYPE C REDESIGN	<b>AUS</b> <b>I</b>

Rif.	Code	Description	Version