

**Saeco** SIN 024 L

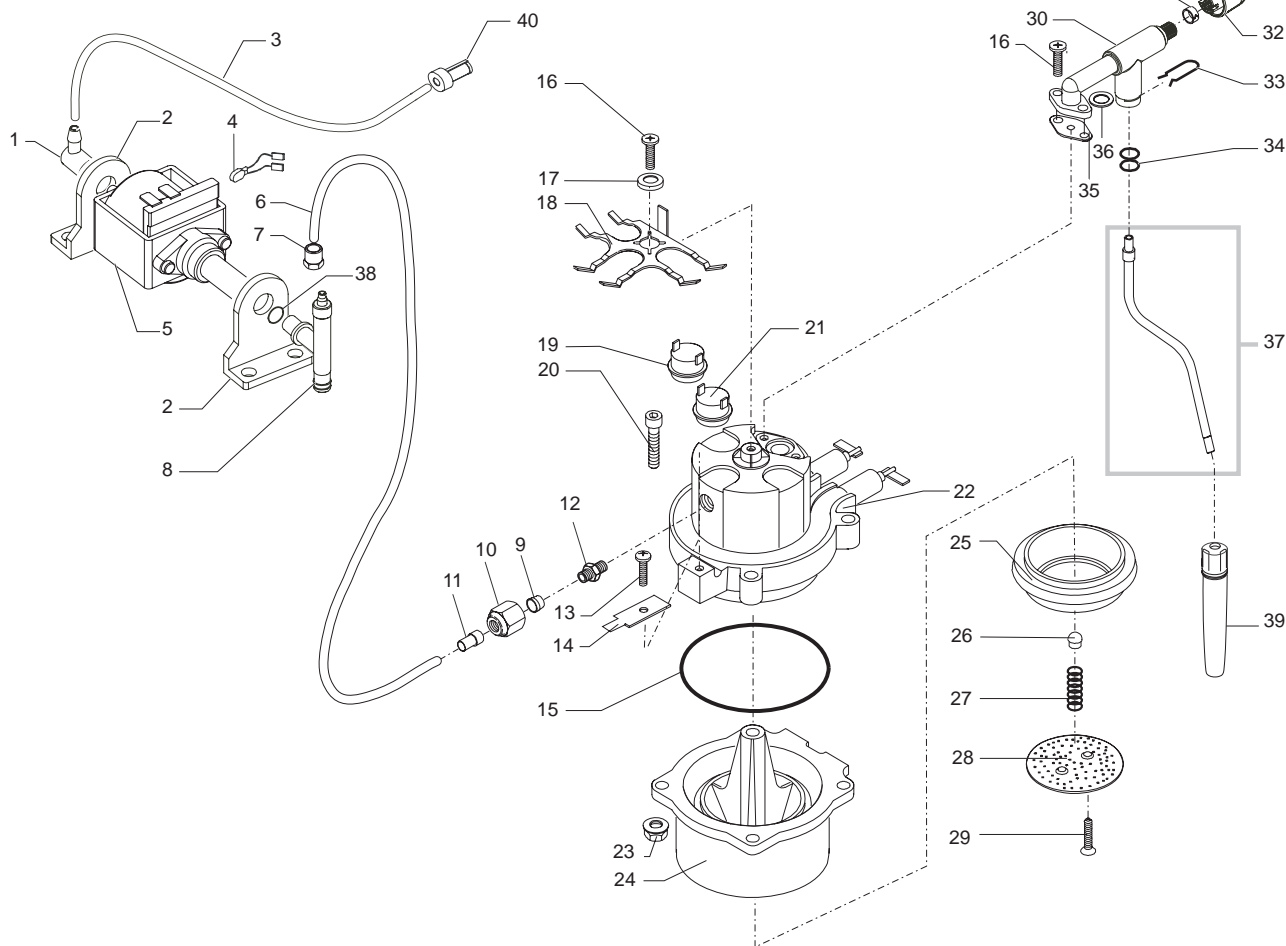
INTERNATIONAL GROUP



Cod. 1000006-196

POS	CODICE	DESCRIZIONE	NOTE
01	6315001010	TASTO ON-OFF ARGENTO	
02	WGA5316001000	SEGNALATORE LUMINOSO ROSSO	
03	WGA4315007000	SUPPORTO TASTI ARMONIA	
04	WGA5302001000	INTERRUTTORE UNIPOLARE	
05	129660802	VITE PANELVIT TCB 4X16 DIN 7505 ZINCATA	
06	6315001000	TASTO CAFFÈ ARGENTO	
07	6315001020	TASTO VAPORE ARGENTO	
08	WGA5316002000	SEGNALATORE LUMINOSO VERDE	
09	11000110	CABLAGGIO ARMONIA EASY	
10	WGADM1563	SPINA AUTOBLOCCANTE TRIPOLARE	
11	WGA4316002000	PIASTRA DI MONTAGGIO ARMONIA NERA	230V
	11000528	PIASTRA DI MONTAGGIO ARMONIA/UL NERA	220V KOREA
12	12000450	VITE TCBR 3,5X12 PLAST.ZN-N	
13	123270102	DADO M6 FLANGIATO BASE DENTELLATA ZINC.	
14	WGA4315006000	CONTENITORE ACQUA ARMONIA	
15	WGA4315001000	CORPO CARCASSA ARMONIA NERA	
16	WGAFG0245	PIEDINO	
17	WGA8315008000	ASS. CORPO CARCASSA C/PIEDINI ARMONIA	
	11001987	COPER.CARC.S/FORO ARMONIA UL NER.SE.VAP	KOREA
18	11000155	COP. CARCASS. S/FORO ARMONIA NER.SER.VAP	
19	11000104	FRONTALINO SAECO ARG. SER. ARMONIA EASY	
20	183911050	CAVO AL.SCHUKO 3X1 H05VV-F NERO L=1200MM	
	11001985	CAVO AL.KOREA VCTF 3X1,25 NERO L=1200MM	
21	11000101	GRIGLIA ARMONIA EASY VERNICIATO ARGENTO	
22	WGA4316004000	VASCA RACC. ACQUA DI SCARICO ARMONIA	
23	145501211	GALL. ROSSO X VASCA RECUP.ACQUA SMART	
24	15000010	LIBRETTO ISTR. SIN024L SAECO ARMONIA EASY	
25	146680150	MISURINO NERO X CAFFÈ	
26	226551650	PORTAFILTRO PRESS. MECC. AL. NERO OP/LUC	
		<b>VEDI COD. ESPLOSO E90005</b>	
27	175900400	INSERTO SUPER. POLIST. X SCATOLA ARMONIA	
28	175892500	INSERTO IN CARTONE X ACCESS. ESPR. PLUS	
29	175900500	INSERTO INFER. POLIST. X SCATOLA ARMONIA	
30	13000101	SCATOLA LIT.SAECO ARMONIA/ARMONIA EASY	

POS	CODE	DESCRIPTION	NOTE
01	6315001010	KEY ON-OFF SILVER	
02	WGA5316001000	RED LUMINOUS SIGNALER	
03	WGA4315007000	BUTTONS SUPPORT	
04	WGA5302001000	UNIPOLAR SWITCH	
05	129660802	PANELVIT TCB SCREW4 X16 DIN 7505 Z	
06	6315001000	KEY COFFEE SILVER	
07	6315001020	KEY STEAM SILVER	
08	WGA5316002000	GREEN LUMINOUS SIGNALER	
09	11000110	WIRING HARNESS ARMONIA EASY	
10	WGADM1563	3 POLE SELF LOCKING PIN	
11	WGA4316002000	BLACK MOUNTING PLATE ARMONIA	230V
	11000528	MOUNTING PLATE ARMONIA/UL BLACK	220V KOREA
12	12000450	SCREW TCBR TORX 10 3,5X12 PLAST.ZN-N	
13	123270102	NUT M6 FLANGED TOOTHED BASE GALV	
14	WGA4315006000	WATER CONTAINER	
15	WGA4315001000	BLACK CASING ARMONIA	
16	WGAFG0245	FOOT	
17	WGA8315008000	BLACK CASING ARMONIA ASSY.	
	11001987	BLACK CASING COVER ARMONIA UL S/SCREEN	KOREA
18	11000155	BLACK COVER FOR CASING ARMONIA	
19	11000104	FRONT PAN. SAEC.SILVER S/S.ARMONIA EASY	
20	183911050	POWER CABLE SCHUKO BLACK L=1200MM	
	11001985	BLACK POWER CABL.KOREA 3X1,25 L=1200MM	
21	11000101	GRATE FOR ARMONIA EASY SILVER	
22	WGA4316004000	BLACK DRIP TRAY ARMONIA	
23	145501211	RED FLOAT FOR DRIP TRAY SMART	
24	15000010	INSTRUCT. MANUAL SAECO ARMONIA EASY	
25	146680150	BLACK COFFEE MEASURE	
26	226551650	PRESS.FILTERH.ALUM.BLACK	
		<b>SEE COD. EXPL. E90005 @ GH'D5 ; 9</b>	
27	175900400	POLYST.UPPER INSERT FOR BOX ARMONIA	
28	175892500	CARDBOARD INSERT ACCESSOR. ESPR.PLUS	
29	175900500	POLYST.LOWER INSERT FOR BOX ARMONIA	
30	13000101	DISPLAY BOX SAECO ARMONIA/ARMONIA EASY	



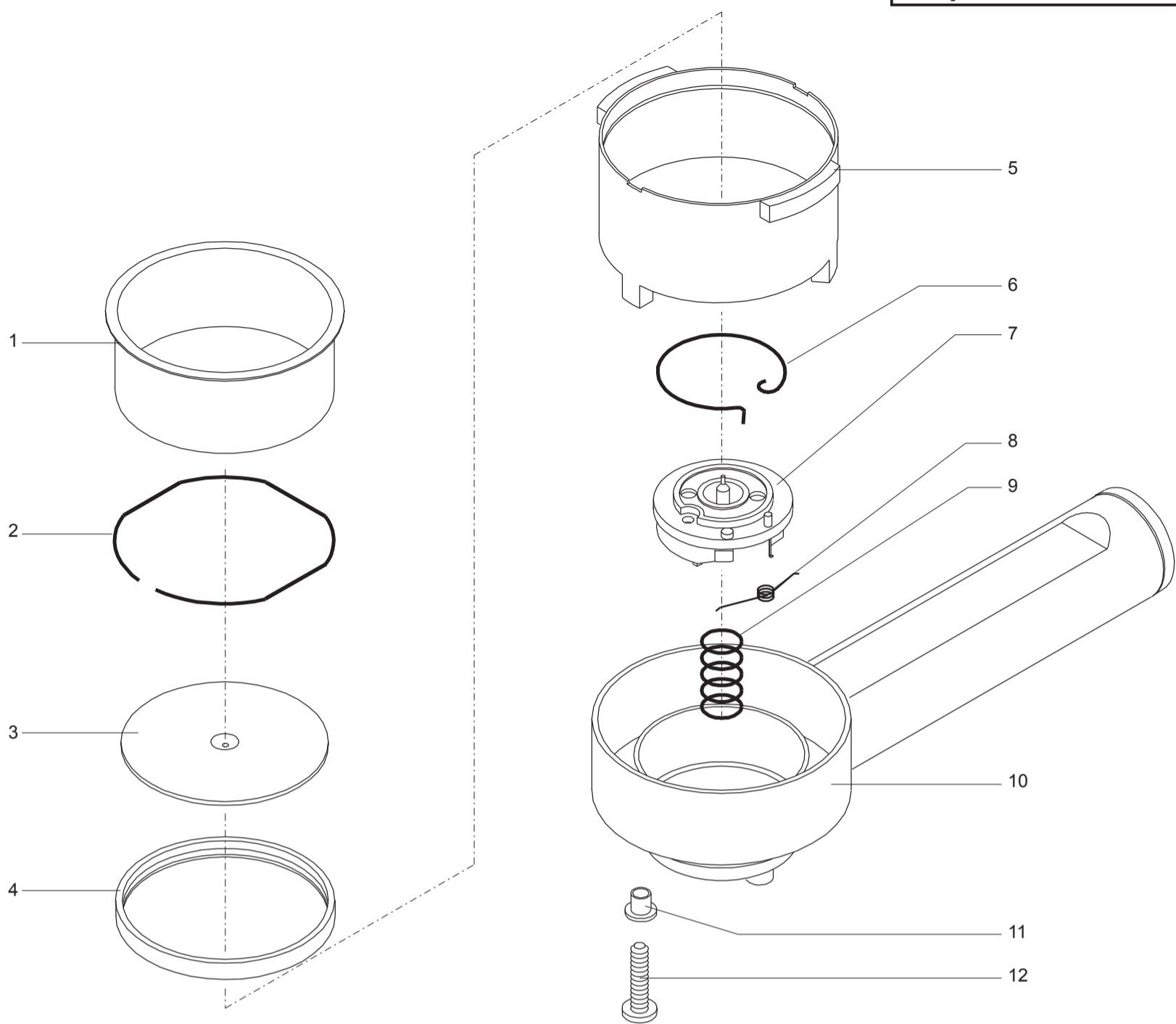
**Saeco** SIN 024 L

INTERNATIONAL GROUP



Cod. 1000006-196

POS	CODICE	DESCRIZIONE	NOTE	POS	CODE	DESCRIPTION	NOTE
01	147920150	RACCORDO INGRESSO POMPA A 90°		01	147920150	90°CONNECTOR PUMP INLET	
02	WGADY0003	SUPPORTO POMPA ULKA		02	WGADY0003	PUMP SUPPORT ULKA	
03	149360200	TUBO SILICONE 5X8 70SR	IN MATASSA	03	149360200	SILICONE TUBE 5X8 70SR	IN ROLL
04	289200100	ASS. TERMPR. TERMICO 120°C CAV.121/121		04	289200100	THERMAL. PROTECT.120°C CABLE.121/1	
05	9070.035.00A	POMPA ULKA EP5	230V 50HZ	05	9070.035.00A	ULKA PUMP EP5	230V 50HZ
	12000132	POMPA ULKA EP5/S GW	220V-50/60HZ		12000132	ULKA PUMP EP5/S GW	220V-50/60HZ
06	149400100	TUBO TEFLON 4X6	IN MATASSA	06	149400100	TEFLON TUBE 4X6	IN ROLL
07	WGAB0053	DADO X PIASTRA DI MONTAGGIO ARMONIA		07	WGAB0053	NUT	
08	WGAEF0062/01/A	ASS. VALVOLA DI SICUREZZA ARMONIA		08	WGAEF0062/01/A	SAFETY VALVE ARMONIA	
09	11008877	BOCCOLA INTERN. TUBO (DE4XD13X10)OTT/TEA		09	11008877	TEA/BRASS INNER TUBE BUSH ( DE4XD13X10)	
10	123460120	DADO OTT. 1/8"GAS X BOCCOLA OGIVA 6		10	123460120	BRASS NUT 1/8"GAS FOR TEFLON TUBE D=6	
11	121800420	BOCCOLA OGIVA 6 (DE=8,4 DI=6,2 L=7)		11	121800420	OGIVE BUSH 6 ( DE=8,4 DI =6,2 L=7	
12	11001481	RACC.DIRIT.1/8"GAS S/SEDE INSERTO OT/NIK		12	11001481	NIKELED STRAIGHT CONNECTOR 1/8"GAS	
13	129573202	VITE TCB PH/TT 4X8 UNI 8112 ZINCATA		13	129573202	SCREW TCB PH/TT 4X8 UNI 8112 ZNP	
14	126837002	MOLLA FERM.2TERMOF.1ALET.S/TER.L=21		14	126837002	2THERMOFUS.RET.SPRING 1TONG.N/GROUND	
15	140325962	OR 3212 SILICONE		15	140325962	OR 3212 IN SILICONE	
16	129583102	VITE TCB M4X12 DIN 7500 C ZINCATA		16	129583102	SCREW TCB M4X12 DIN 7500 C GALV	
17	128171020	ROSETTA OT. DE=16 FERMA MOLLA TERMOSTATI		17	128171020	BR. WASHER DE =16 SPRING HOLD THER	
18	126834921	MOLLA FERMA TERMOST. CALDAIA ALL. JUNIOR		18	126834921	ALU .BOIL.THER. FIXING SPRING JUNI	
19	189425100	TERMOSTATO 127° 1NT-01L-0499		19	189425100	TERMOSTAT 127° 1NT-01L-0499	
20	U023.023	VITE TCEI M6,0X40 UNI 5931 8.8 ZINCATA		20	U023.023	screw TCEI M6,0X40 UNI 5931	
21	189422000	TERMOSTATO 95° 1NT-01L-0036		21	189422000	THERMOSTAT 95° 1NT-01L-0036	
22	11000111	ASS. CORPO SUPER. CALDAIA AL. ARMONIA		22	11000111	UPPER CASING ALUM.BOILER AS.ARMONIA	
23	12000021	DADO ESAG.M6 BASSO UNI 5589-A-6S ZINCATO		23	12000021	NUT M6 LOW UNI 5589 -A-6S GALVANIZED	
24	222920300	ASS. CORPO INF. CALDAIA AL/BRIL. JUNIOR		24	222920300	LO. BOIL.CASING AS. AL /POL. JUNIO	
25	145845462	GUARN. SILIC. PORTAFILTRO CALD.ALL.JUNIOR		25	145845462	SILICON GASKET FOR ALUMINIUM JUNIOR	
26	149450588	VALVOLA SILICONE 65SH X TENUTA CALDAIA		26	149450588	SILICONE VALVE 65SH BOILER SEALING	
27	126770818	MOLLA X VALVOLA TENUTA CALDAIA ALL.		27	126770818	SPRING FOR ALU. BOILER SEALING VAL	
28	123741722	DOCCIA ALLUM. X CALDAIA ALLUM. JUNIOR		28	123741722	PERC. ALU. FOR ALU BOIL. JUNIOR	
29	129580721	VITE TSP PZ M3X8 DIN 7500 INOX		29	129580721	SCREW TSP PZ M3X8 DIN 7500 SS	
30	11000106	ASS. RUBIN. VAPORE X CALD. ALLUM. ARMONIA		30	11000106	STEAM FAUCET ASS.FOR ALUM.BOIL. ARMONIA	
31	120460204	ATTACCO RAPIDO D=10,6 H=5 SP=1		31	120460204	RAPID CONNECTOR D=10,6 H=5 SP=1	
32	WGA4316006000	POMELLO VAPORE ARMONIA NERO		32	WGA4316006000	STEAM KNOB BLACK	
33	126764018	MOLLA D=1 FERMA TUBO VAPORE JUNIOR		33	126764018	SPRING D=1STEAM TUBE HOLDER JUN.	
34	140321861	OR 2025 EPDM		34	140321861	OR 2025 IN EPDM	
35	145845362	GUARNIZ. SIIC. D=4 RUB. CALDAIA ALL. JUNIOR		35	145845362	ALU. BOIL.FAUCET SEAL. SIL. JUNIOR	
36	128310404	ROSETTA UNI 8842 A4 BRUNITA		36	128310404	WASHER UNI 8842 A4 BURNISHED	
37	11003290	AS.TUBO VAPORE SPRUZ. D=2,0 AC.INOX LUC		37	11003290	S.STEEL STEAM TUBE ASSY.	
38	140321961	OR 2031 IN TERMOIL		38	140321961	OR 2031 IN TERMOIL	
39	227431350	ASS. PANNARELLO G100 NERO		39	227431350	PANNARELLO ASS.G100 BLACK	
40	144650100	FILTRO IN ASPIRAZIONE		40	144650100	SUCTION FILTER	



**Saeco**® PORTAFILTRO PRESSURIZZATO MECCANICO (E)

Cod. 226551250-263-650  
Cod. 226551663-850-863

POS	CODICE	DESCRIZIONE	NOTE	POS	CODE	DESCRIPTION	NOTE
01	124650221	FILTRO 2TAZ.54,5X25 S/TAC.FORI D=48		01	124650221	2CUP FILT.54,5X25 W/O.NOT.HOLE D=48	
02	126835918	MOLLA FERMAFILTRO SOTTOCOPP.PIANETA		02	126835918	FILTER LOCK. SPRING FILTERH. PIANE	
	126836818	MOLLA FERMAFILTR.SOTTOCOPP.STARBUCKS			126836818	FILTERH. SPRING STARBUCKS	
		<b>X C.A. PRODOTTE DAL 01/05/1999</b>				<b>FOR C.A. PRODUCED FROM 01/05/1999</b>	
03	142862959	CONVOGLIAT.FORO 1,6 PORTAFILTRO PRES/MEC		03	142862959	CONVEYOR HOLE 1,6 PRESS.FILTERHOLD.	
04	145847762	GUARNIZ.X CONVOGL.PORTAFIL.PRES/MEC		04	145847762	PRESS. FILTERHOLD CONVEYOR SEAL	
05	228771128	SOTCOP.PRES/MECC.ALET.STRET.AL.BRIL		05	228771128	PR.FILTERH. NARROW TONG. POL. ALU	
	17000097	SOTCOP.PRES/MECC.V2 AL.BRIL.			17000097	ALUM/POL.V2 PRES/MECC.FILTERHOLDER	
	11023167	SOTTOCOP.PRES/MEC.STARB.OT/CROM.NSF			11023167	NSF/CHROM.PRESS.FILTERHOLD.STARB.	
06	126835818	MOLLA X MANICO PORTAFIL.PRESSUR/MEC		06	126835818	SPRING FILTERHOLD. HAND. PRESS.	
07	229181800	AS.SUPPORTO SPILLO PORTAF.PRESS/MEC		07	229181800	PRESS. FILTERH. PIN SUPPORT	
08	126768418	MOLLA X CAMMA PORTAFILT.PRESSUR/MEC		08	126768418	CAM SPRING FILT.HOLD PRESS.	
09	126769918	MOLLA X SPIL.PORTAFIL.PRES/MEC.L=13		09	126769918	SPRING FILTH .NE.VAL.MEC.TAKEOFFL=	
10	146552650	MANICO NER.OP/LUC.PRES/MEC.SEN/SOTC		10	146552650	HAND.BLA. OP/GLO PRESS. W/O FILTER	
	146552663	MANICO GRI.OP/LUC.PRES/MEC.SEN/SOTC			146552663	HAND.GREY OP/GLO.PRESS. W/O FILTER	
11	11022223	DISTANZ.PORTAFILTR.PRES/MEC.OT/TEA		11	11022223	TEA/BRASS SPACER FOR PRESS.FILTERHOLDER	
12	129730721	VITE TCB PZ/SW 4X12 UNI 8112 INOX		12	129730721	TCB SCREW PZ/SW 4X12 UNI 8112 SS	
	226551250	PORTAFILT.PRESS.MECC.ALET.STRET.NER			226551250	PRESS. FILTERH.NARROW TONGUE BLA.	
	226551263	PORTAFILT.PRESS.MECC.ALET.STRET.GRI			226551263	PRESS. FILTERH.NARROW TONGUE GREY	
	226551650	PORTAFILT.PRESS.MECC.AL.NERO OP/LUC			226551650	PRESS. FILTERH. ALU BLACK OP/POLIS	
	226551663	PORTAFILT.PRESS.MECC.AL.GRIG.OP/LUC			226551663	PRESS. FILTERH. ALU.GREY OP/POLISH	
	226551850	PORTAFILT.PRESS.MECC.OT.NERO OP/LUC			226551850	PRESS. FILTERH. BRASS BLACK OP/POL	
	226551863	PORTAFILT.PRESS.MECC.OT.GRIG.OP/LUC			226551863	PRESS. FILTERH. BRASS GREY OP/POLI	