

**Saeco**  
INTERNATIONAL GROUP

**SIN024L**

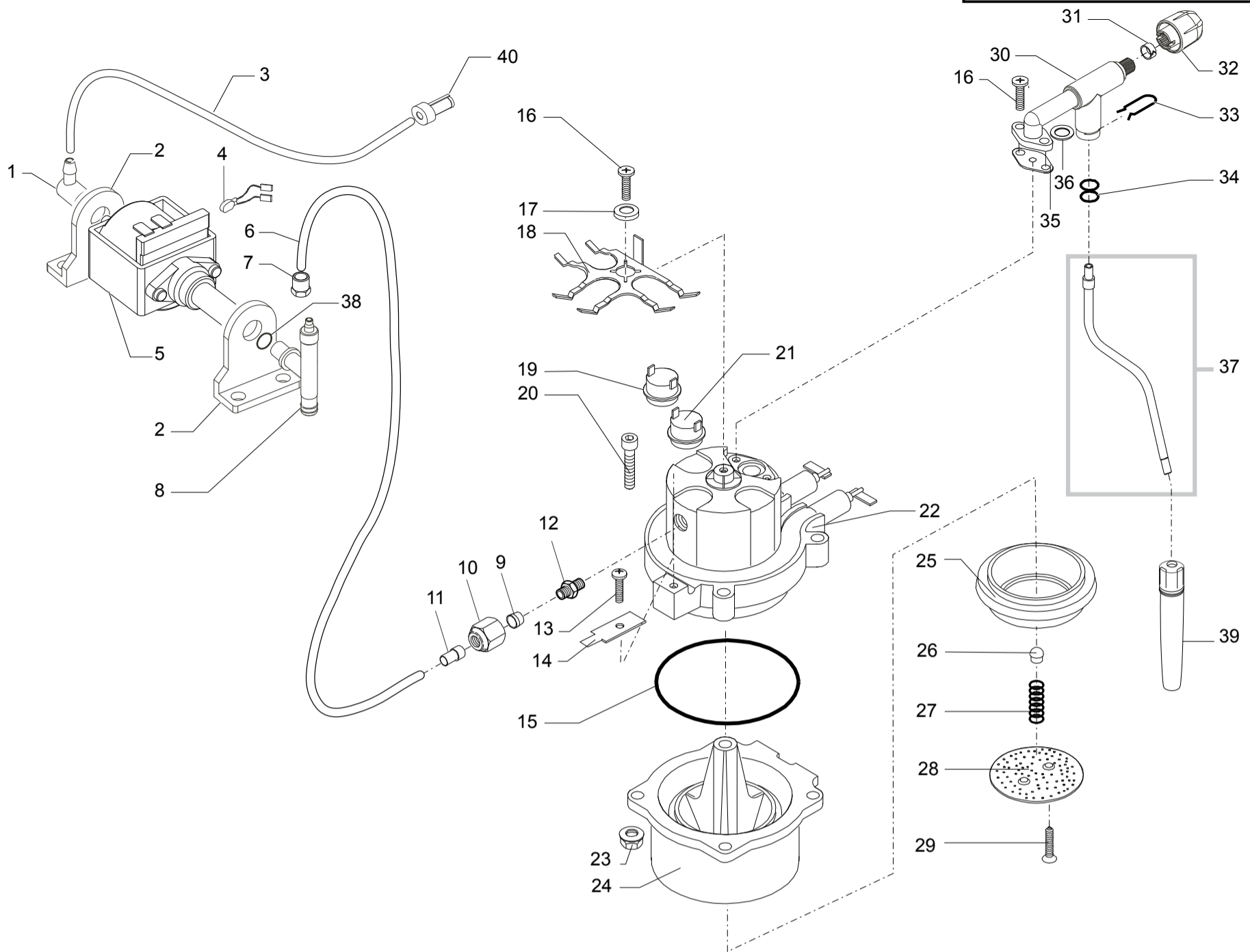
**CE** Cod. 1000006

POS	CODE	12NC	DESCRIPTION	NOTE	POS	CODE	12NC	DESCRIPTION	NOTE
01	6315001010	996530037762	KEY ON-OFF SILVER						
02	WGA5316001000	996530063649	RED LUMINOUS SIGNALER 230V						
03	WGA4315007000	996530063534	BUTTONS SUPPORT						
04	WGA5302001000	996530063648	UNIPOLAR SWITCH						
05	129660802	996530012979	PANELVIT TCB SCREW4 X16 DIN 7505 Z						
06	6315001000	996530037761	KEY COFFEE SILVER						
07	6315001020	996530037763	SILVER STEAM KEY S/SCR.						
08	WGA5316002000	996530063651	GREEN LUMINOUS SIGNALER 230V						
09	11000110	996530000073	HARNESS ARMONIA EASY ASSY.						
10	12000280	996530007788	CUP SOCKET EN 60320 C 13						
11	WGA4316002000	996530063536	BLACK MOUNTING PLATE ARMONIA						
12	12000450	996530007819	SCREW TCBR TORX 10 3,5X12 PLAST.ZN-N						
13	123270102	996530011202	NUT M6 FLANGED TOOTHED BASE GALV.						
14	WGA4315006000	996530063533	TRANSP/GREY WATER CONTAINER S/SCR.MAX						
15	WGA4315001000	996530063532	BLACK CASING ARMONIA						
16	WGAFG0245	996530064031	BLACK FOOT						
17	WGA8315008000	996530063842	BLACK CASING ARMONIA ASSY.						
18	11000155	996530000099	BLACK CASING COVER S/SCR.VAP.ARMONIA						
19	11000104	996530000067	SILVER FRONT PANEL SAEC.S/S.ARMONIA EASY						
20	183911050	996530025808	BLACK POWER CABLE SCHUKO L=1200						
20	11001985	996530001089	BLACK POWER CABLE KOREA L=1200						
21	11000101	996530000064	SILVER GRATE ARMONIA EASY						
22	WGA4316004000	996530063537	BLACK DRIP TRAY ARMONIA						
23	145501211	996530015694	RED FLOAT FOR DRIP TRAY SMART						
24	15000010	996530008433	MANUAL SAE SIN024L ARMONIA EASY						
25	146680150	996530016517	BLACK COFFEE MEASURE						
26	226551650	996530029824	KIT SAE PORTAFILTER CREMA BLK <b>SEE EXPL.CODE E90005 LAST PAGE</b>						
27	175900400	996530021836	PS-E UPPER INSERT FOR BOX ARMONIA						
28	175892500	996530021749	CARDBOARD INSERT ACCESSORIES ESPR.PLUS						
29	175900500	996530021837	PS-E LOWER INSERT FOR BOX ARMONIA						
30	13000101	996530008083	DISPLAY BOX SAECO ARMONIA/ARMONIA EASY						

**Saeco**  
INTERNATIONAL GROUP

**ARMONIA EASY**

TABLE 1/2



**Saeco**  
INTERNATIONAL GROUP

**SIN024L**

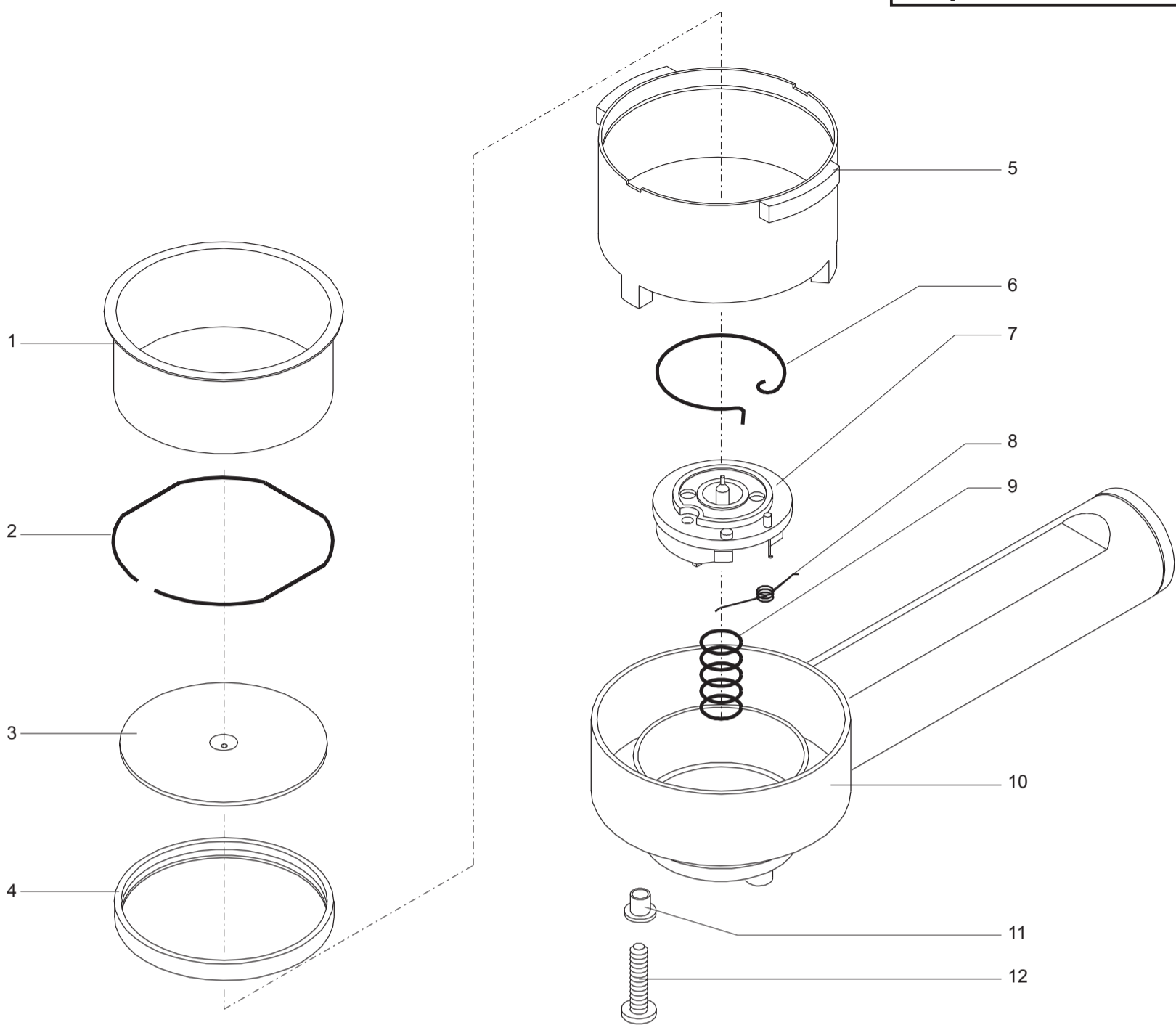
**CE** Cod. 1000006

POS	CODE	12NC	DESCRIPTION	NOTE	POS	CODE	12NC	DESCRIPTION	NOTE
01	147920150	996530017348	90° INLET PUMP CONNECTOR		39	227431350	996530029995	BLACK/BLACK PANNARELLO G100 ASSY.	
02	WGADY0003	996530064025	BLACK PUMP SUPPORT ULKA		40	144650100	996530015427	SUCTION FILTER	
03	149360200	996530018269	SILICONE TUBE 5X8 70SR IN ROLL						
04	289200100	996530035365	THERMAL. PROTECT.120°C CABL.121/121						
05	DM1594/230240	996530054778	EP5 V 230/50 PUMP						
06	149400100	996530018285	TEFLON TUBE 4X6 IN ROLL						
07	WGAB0053	996530063857	NUT						
08	WGAEF0062/01/A	996530064028	BRASS SAFETY VALVE						
09	11008877	996530005078	TEA/BRASS INNER TUBE BUSH ( DE4XD13X10)						
10	9991.007	996530051758	NUT FOR CONNECTOR 1/8"						
11	121800420	996530010853	OGIVE BUSH 6 ( DE=8,4 DI =6,2 L=7						
12	11001481	996530000837	TEA/BRASS STRAIGHT CONNECTOR 1/8"GAS						
13	129573202	996530012921	SCREW TCB TORX 20 M4X8 AUTOFORMING ZN-B						
14	126837002	996530011824	2THERMOF.RETAIN.SPRING 1TONG.N/EARTH L21						
15	140325962	996530013534	O-RING 3212 SILICONE						
16	129583102	996530012941	SCREW TCB M4X12 AUTOFORMING ZN-B						
17	128171020	996530012329	BRASS WASHER DE =16 SPRING HOLD THERM.						
18	126834921	996530011801	ALUM.BOILER THERM.FIXING SPRING JUNIOR						
19	189425100	996530026928	THERMOSTAT 127° 1NT-01L-0499						
20	U023.023	996530061793	screw TCEI M6,0X40 UNI 5931						
21	189422000	996530026907	THERMOSTAT 95° 1NT-01L-0036						
22	11000111	996530000074	UPPER CASING ALUM.BOILER AS.ARMONIA 230V						
23	12000021	996530007712	NUT M6 LOW UNI 5589 -A-6S GALVANIZED						
24	222920300	996530028999	GLOSSY AL.LOWER BOILER CASING JUN.ASSY.						
25	145845462	996530015852	ALU.BOILER FILTERHOLDER SIL.SEAL JUNIOR						
26	149450588	996530018311	65SH SILICONE BOILER SEALING VALVE						
27	126770818	996530011693	SS SPRING FOR ALU.BOILER SEALING VALVE						
28	123741722	996530011295	ALUM.PERCOL.FOR ALUM.BOILER JUNIOR						
29	129580721	996530012935	SCREW TSP TORX 10 M3X8 AUTOFORMING SS						
30	11000106	996530000069	STEAM FAUCET ASS.FOR ALUM.BOILER ARMONIA						
31	120460204	996530010777	RAPID CONNECTOR D=10,6 H=5 SP=1						
32	WGA4316006000	996530063538	STEAM KNOB BLACK						
33	126764018	996530011619	SS SPRING D=1 STEAM TUBE HOLDER JUN.						
35	145845362	996530015849	SILIC.SEAL FOR ALUM.BOILER FAUCET JUNIOR						
36	128310404	996530012342	WASHER UNI 8842 A4 BURNISHED						
37	11003290	996530001564	SS STEAM TUBE D=2,0 ASSY.						
38	140321961	996530013471	O-RING 2031 TERMOIL						

**Saeco**  
INTERNATIONAL GROUP

**ARMONIA EASY**

**TABLE 2/2**



**Saeco**® PORTAFILTRO PRESSURIZZATO MECCANICO (E)

Cod. 226551250-263-650  
Cod. 226551663-850-863

POS	CODICE	DESCRIZIONE	NOTE	POS	CODE	DESCRIPTION	NOTE
01	124650221	FILTRO 2TAZ.54,5X25 S/TAC.FORI D=48		01	124650221	2CUP FILT.54,5X25 W/O.NOT.HOLE D=48	
02	126835918	MOLLA FERMAFILTR. SOTTOCOPP.PIANETA		02	126835918	FILTER LOCK. SPRING FILTERH. PIANE	
	126836818	MOLLA FERMAFILTR. SOTTOCOPP.STARBUCKS			126836818	FILTERH. SPRING STARBUCKS	
		<b>X C.A. PRODOTTE DAL 01/05/1999</b>				<b>FOR C.A. PRODUCED FROM 01/05/1999</b>	
03	142862959	CONVOGLIAT.FORO 1,6 PORTAFILTRO PRES/MEC		03	142862959	CONVEYOR HOLE 1,6 PRESS.FILTERHOLD.	
04	145847762	GUARNIZ.X CONVOGL. PORTAFIL.PRES/MEC		04	145847762	PRESS. FILTERHOLD CONVEYOR SEAL	
05	228771128	SOTCOP.PRES/MECC.ALET.STRET.AL.BRIL		05	228771128	PR.FILTERH. NARROW TONG. POL. ALU	
	17000097	SOTCOP.PRES/MECC.V2 AL.BRIL.			17000097	ALUM/POL.V2 PRES/MECC.FILTERHOLDER	
	11023167	SOTTOCOP.PRES/MEC.STARB.OT/CROM.NSF			11023167	NSF/CHROM.PRESS.FILTERHOLD.STARB.	
06	126835818	MOLLA X MANICO PORTAFIL.PRESSUR/MEC		06	126835818	SPRING FILTERHOLD. HAND. PRESS.	
07	229181800	AS.SUPPORTO SPILLO PORTAF.PRESS/MEC		07	229181800	PRESS. FILTERH. PIN SUPPORT	
08	126768418	MOLLA X CAMMA PORTAFILT.PRESSUR/MEC		08	126768418	CAM SPRING FILT.HOLD PRESS.	
09	126769918	MOLLA X SPIL.PORTAFIL.PRES/MEC.L=13		09	126769918	SPRING FILTH .NE.VAL.MEC.TAKEOFFL=	
10	146552650	MANICO NER.OP/LUC.PRES/MEC.SEN/SOTC		10	146552650	HAND.BLA. OP/GLO PRESS. W/O FILTER	
	146552663	MANICO GRI.OP/LUC.PRES/MEC.SEN/SOTC			146552663	HAND.GREY OP/GLO.PRESS. W/O FILTER	
11	11022223	DISTANZ.PORTAFILTR.PRES/MEC.OT/TEA		11	11022223	TEA/BRASS SPACER FOR PRESS.FILTERHOLDER	
12	129730721	VITE TCB PZ/SW 4X12 UNI 8112 INOX		12	129730721	TCB SCREW PZ/SW 4X12 UNI 8112 SS	
	226551250	PORTAFILT.PRESS.MECC.ALET.STRET.NER			226551250	PRESS. FILTERH.NARROW TONGUE BLA.	
	226551263	PORTAFILT.PRESS.MECC.ALET.STRET.GRI			226551263	PRESS. FILTERH.NARROW TONGUE GREY	
	226551650	PORTAFILT.PRESS.MECC.AL.NERO OP/LUC			226551650	PRESS. FILTERH. ALU BLACK OP/POLIS	
	226551663	PORTAFILT.PRESS.MECC.AL.GRIG.OP/LUC			226551663	PRESS. FILTERH. ALU.GREY OP/POLISH	
	226551850	PORTAFILT.PRESS.MECC.OT.NERO OP/LUC			226551850	PRESS. FILTERH. BRASS BLACK OP/POL	
	226551863	PORTAFILT.PRESS.MECC.OT.GRIG.OP/LUC			226551863	PRESS. FILTERH. BRASS GREY OP/POLI	