

**Saeco**  
INTERNATIONAL GROUP

**SIN024L**

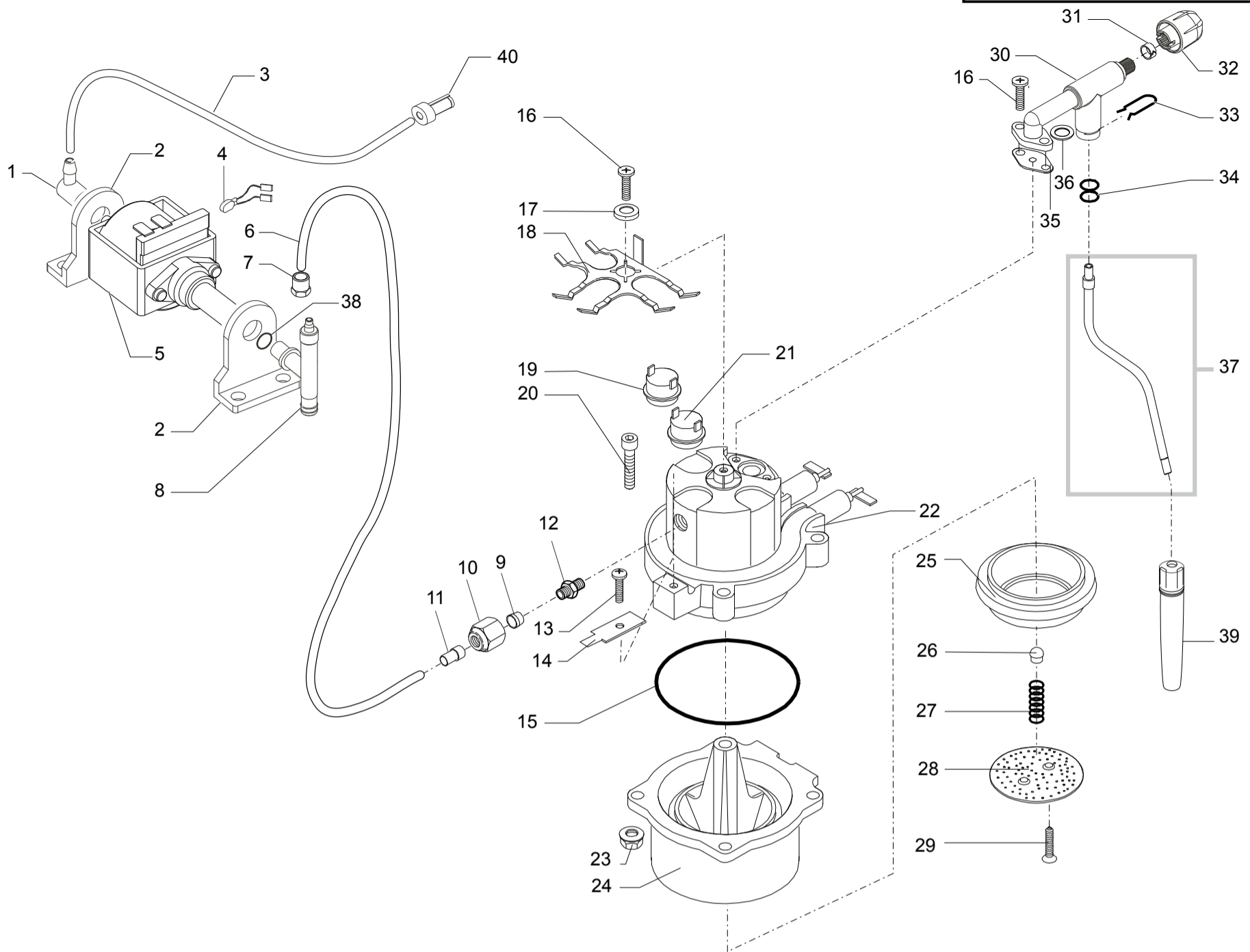
**CE** Cod. 1000006

| POS | CODE          | 12NC         | DESCRIPTION                                                            | NOTE | POS | CODE | 12NC | DESCRIPTION | NOTE |
|-----|---------------|--------------|------------------------------------------------------------------------|------|-----|------|------|-------------|------|
| 01  | 6315001010    | 996530037762 | KEY ON-OFF SILVER                                                      |      |     |      |      |             |      |
| 02  | WGA5316001000 | 996530063649 | RED LUMINOUS SIGNALER 230V                                             |      |     |      |      |             |      |
| 03  | WGA4315007000 | 996530063534 | BUTTONS SUPPORT                                                        |      |     |      |      |             |      |
| 04  | WGA5302001000 | 996530063648 | UNIPOLAR SWITCH                                                        |      |     |      |      |             |      |
| 05  | 129660802     | 996530012979 | PANELVIT TCB SCREW4 X16 DIN 7505 Z                                     |      |     |      |      |             |      |
| 06  | 6315001000    | 996530037761 | KEY COFFEE SILVER                                                      |      |     |      |      |             |      |
| 07  | 6315001020    | 996530037763 | SILVER STEAM KEY S/SCR.                                                |      |     |      |      |             |      |
| 08  | WGA5316002000 | 996530063651 | GREEN LUMINOUS SIGNALER 230V                                           |      |     |      |      |             |      |
| 09  | 11000110      | 996530000073 | HARNESS ARMONIA EASY ASSY.                                             |      |     |      |      |             |      |
| 10  | 12000280      | 996530007788 | CUP SOCKET EN 60320 C 13                                               |      |     |      |      |             |      |
| 11  | WGA4316002000 | 996530063536 | BLACK MOUNTING PLATE ARMONIA                                           |      |     |      |      |             |      |
| 12  | 12000450      | 996530007819 | SCREW TCBR TORX 10 3,5X12 PLAST.ZN-N                                   |      |     |      |      |             |      |
| 13  | 123270102     | 996530011202 | NUT M6 FLANGED TOOTHED BASE GALV.                                      |      |     |      |      |             |      |
| 14  | WGA4315006000 | 996530063533 | TRANSP/GREY WATER CONTAINER S/SCR.MAX                                  |      |     |      |      |             |      |
| 15  | WGA4315001000 | 996530063532 | BLACK CASING ARMONIA                                                   |      |     |      |      |             |      |
| 16  | WGAFG0245     | 996530064031 | BLACK FOOT                                                             |      |     |      |      |             |      |
| 17  | WGA8315008000 | 996530063842 | BLACK CASING ARMONIA ASSY.                                             |      |     |      |      |             |      |
| 18  | 11000155      | 996530000099 | BLACK CASING COVER S/SCR.VAP.ARMONIA                                   |      |     |      |      |             |      |
| 19  | 11000104      | 996530000067 | SILVER FRONT PANEL SAEC.S/S.ARMONIA EASY                               |      |     |      |      |             |      |
| 20  | 183911050     | 996530025808 | BLACK POWER CABLE SCHUKO L=1200                                        |      |     |      |      |             |      |
| 20  | 11001985      | 996530001089 | BLACK POWER CABLE KOREA L=1200                                         |      |     |      |      |             |      |
| 21  | 11000101      | 996530000064 | SILVER GRATE ARMONIA EASY                                              |      |     |      |      |             |      |
| 22  | WGA4316004000 | 996530063537 | BLACK DRIP TRAY ARMONIA                                                |      |     |      |      |             |      |
| 23  | 145501211     | 996530015694 | RED FLOAT FOR DRIP TRAY SMART                                          |      |     |      |      |             |      |
| 24  | 15000010      | 996530008433 | MANUAL SAE SIN024L ARMONIA EASY                                        |      |     |      |      |             |      |
| 25  | 146680150     | 996530016517 | BLACK COFFEE MEASURE                                                   |      |     |      |      |             |      |
| 26  | 226551650     | 996530029824 | KIT SAE PORTAFILTER CREMA BLK<br><b>SEE EXPL.CODE E90005 LAST PAGE</b> |      |     |      |      |             |      |
| 27  | 175900400     | 996530021836 | PS-E UPPER INSERT FOR BOX ARMONIA                                      |      |     |      |      |             |      |
| 28  | 175892500     | 996530021749 | CARDBOARD INSERT ACCESSORIES ESPR.PLUS                                 |      |     |      |      |             |      |
| 29  | 175900500     | 996530021837 | PS-E LOWER INSERT FOR BOX ARMONIA                                      |      |     |      |      |             |      |
| 30  | 13000101      | 996530008083 | DISPLAY BOX SAECO ARMONIA/ARMONIA EASY                                 |      |     |      |      |             |      |

**Saeco**  
INTERNATIONAL GROUP

**ARMONIA EASY**

TABLE 1/2



SIN024L

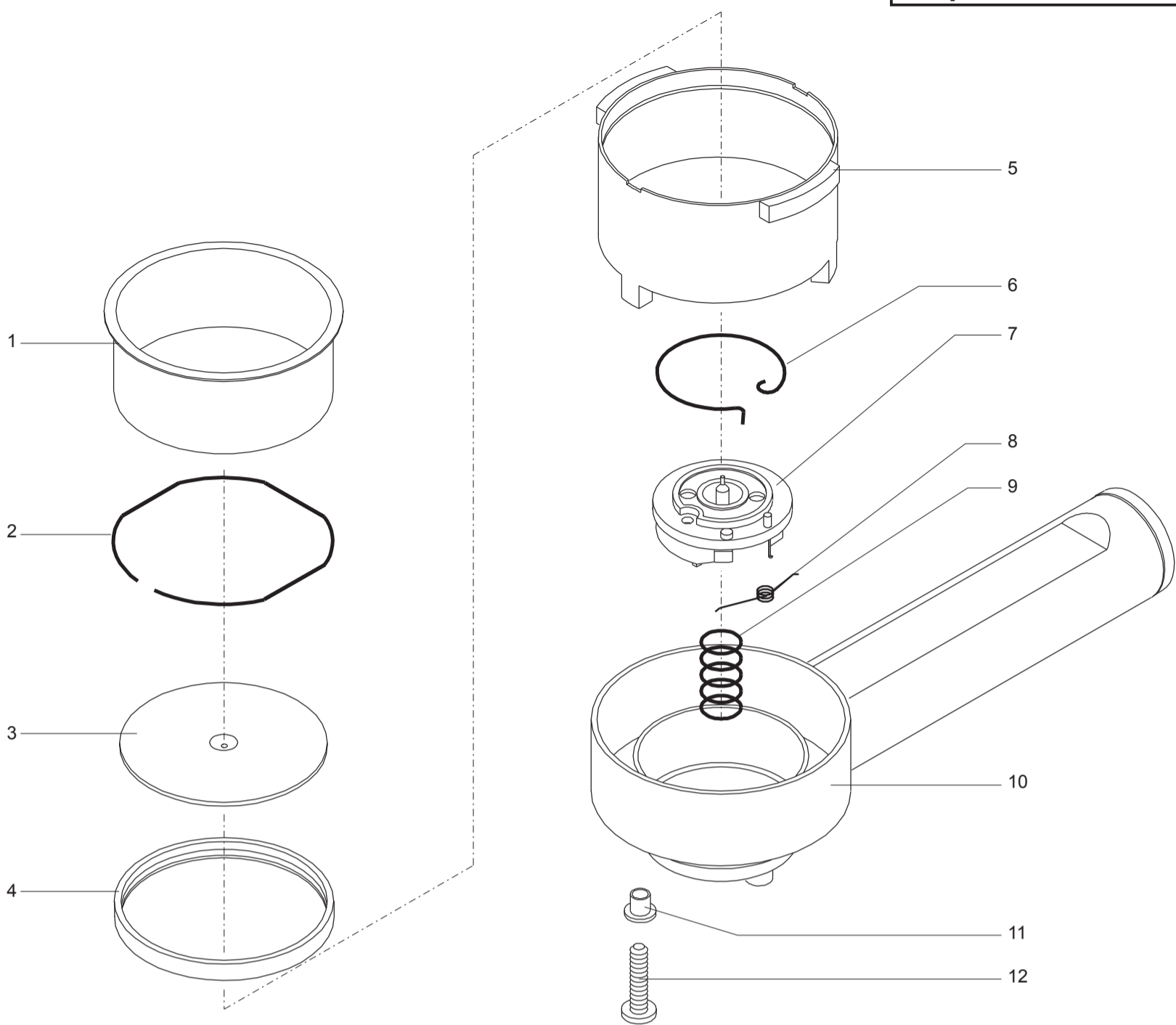
CE Cod. 1000006

| POS | CODE           | 12NC         | DESCRIPTION                              | NOTE | POS | CODE      | 12NC         | DESCRIPTION                       | NOTE |
|-----|----------------|--------------|------------------------------------------|------|-----|-----------|--------------|-----------------------------------|------|
| 01  | 147920150      | 996530017348 | 90° INLET PUMP CONNECTOR                 |      | 38  | 140321961 | 996530013471 | O-RING 2031 TERMOIL               |      |
| 02  | WGADY0003      | 996530064025 | BLACK PUMP SUPPORT ULKA                  |      | 39  | 227431350 | 996530029995 | BLACK/BLACK PANNARELLO G100 ASSY. |      |
| 03  | 149360200      | 996530018269 | SILICONE TUBE 5X8 70SR IN ROLL           |      | 40  | 144650100 | 996530015427 | SUCTION FILTER                    |      |
| 04  | 289200100      | 996530035365 | THERMAL. PROTECT.120°C CABL.121/121      |      |     |           |              |                                   |      |
| 05  | DM1594/230240  | 996530054778 | EP5 V 230/50 PUMP                        |      |     |           |              |                                   |      |
|     | 12000132       | 996530007752 | ULKA PUMP EP5/S GW 220V-50/60HZ          |      |     |           |              |                                   |      |
| 06  | 149400100      | 996530018285 | TEFLON TUBE 4X6 IN ROLL                  |      |     |           |              |                                   |      |
| 07  | WGAB0053       | 996530063857 | NUT                                      |      |     |           |              |                                   |      |
| 08  | WGAEF0062/01/A | 996530064028 | BRASS SAFETY VALVE                       |      |     |           |              |                                   |      |
| 09  | 11008877       | 996530005078 | TEA/BRASS INNER TUBE BUSH ( DE4XD13X10)  |      |     |           |              |                                   |      |
| 10  | 9991.007       | 996530051758 | NUT FOR CONNECTOR 1/8"                   |      |     |           |              |                                   |      |
| 11  | 121800420      | 996530010853 | OGIVE BUSH 6 ( DE=8,4 DI =6,2 L=7        |      |     |           |              |                                   |      |
| 12  | 11001481       | 996530000837 | TEA/BRASS STRAIGHT CONNECTOR 1/8"GAS     |      |     |           |              |                                   |      |
| 13  | 129573202      | 996530012921 | SCREW TCB TORX 20 M4X8 AUTOFORMING ZN-B  |      |     |           |              |                                   |      |
| 14  | 126837002      | 996530011824 | 2THERMOF.RETAIN.SPRING 1TONG.N/EARTH L21 |      |     |           |              |                                   |      |
| 15  | 140325962      | 996530013534 | O-RING 3212 SILICONE                     |      |     |           |              |                                   |      |
| 16  | 129583102      | 996530012941 | SCREW TCB M4X12 AUTOFORMING ZN-B         |      |     |           |              |                                   |      |
| 17  | 128171020      | 996530012329 | BRASS WASHER DE =16 SPRING HOLD THERM.   |      |     |           |              |                                   |      |
| 18  | 126834921      | 996530011801 | ALUM.BOILER THERM.FIXING SPRING JUNIOR   |      |     |           |              |                                   |      |
| 19  | 189425100      | 996530026928 | THERMOSTAT 127° 1NT-01L-0499             |      |     |           |              |                                   |      |
| 20  | U023.023       | 996530061793 | screw TCEI M6,0X40 UNI 5931              |      |     |           |              |                                   |      |
| 21  | 189422000      | 996530026907 | THERMOSTAT 95° 1NT-01L-0036              |      |     |           |              |                                   |      |
| 22  | 11000111       | 996530000074 | UPPER CASING ALUM.BOILER AS.ARMONIA 230V |      |     |           |              |                                   |      |
| 23  | 12000021       | 996530007712 | NUT M6 LOW UNI 5589 -A-6S GALVANIZED     |      |     |           |              |                                   |      |
| 24  | 222920300      | 996530028999 | GLOSSY AL.LOWER BOILER CASING JUN.ASSY.  |      |     |           |              |                                   |      |
| 25  | 145845462      | 996530015852 | ALU.BOILER FILTERHOLDER SIL.SEAL JUNIOR  |      |     |           |              |                                   |      |
| 26  | 149450588      | 996530018311 | 65SH SILICONE BOILER SEALING VALVE       |      |     |           |              |                                   |      |
| 27  | 126770818      | 996530011693 | SS SPRING FOR ALU.BOILER SEALING VALVE   |      |     |           |              |                                   |      |
| 28  | 123741722      | 996530011295 | ALUM.PERCOL.FOR ALUM.BOILER JUNIOR       |      |     |           |              |                                   |      |
| 29  | 129580721      | 996530012935 | SCREW TSP TORX 10 M3X8 AUTOFORMING SS    |      |     |           |              |                                   |      |
| 30  | 11000106       | 996530000069 | STEAM FAUCET ASS.FOR ALUM.BOILER ARMONIA |      |     |           |              |                                   |      |
| 31  | 120460204      | 996530010777 | RAPID CONNECTOR D=10,6 H=5 SP=1          |      |     |           |              |                                   |      |
| 32  | WGA4316006000  | 996530063538 | STEAM KNOB BLACK                         |      |     |           |              |                                   |      |
| 33  | 126764018      | 996530011619 | SS SPRING D=1 STEAM TUBE HOLDER JUN.     |      |     |           |              |                                   |      |
| 35  | 145845362      | 996530015849 | SILIC.SEAL FOR ALUM.BOILER FAUCET JUNIOR |      |     |           |              |                                   |      |
| 36  | 128310404      | 996530012342 | WASHER UNI 8842 A4 BURNISHED             |      |     |           |              |                                   |      |
| 37  | 11003290       | 996530001564 | SS STEAM TUBE D=2,0 ASSY.                |      |     |           |              |                                   |      |



ARMONIA EASY

TABLE 2/2



**Saeco®** PORTAFILTRO PRESSURIZZATO MECCANICO 

Cod. 226551250-263-650  
Cod. 226551663-850-863

| POS | CODICE    | DESCRIZIONE                              | NOTE | POS | CODE      | DESCRIPTION                              | NOTE |
|-----|-----------|------------------------------------------|------|-----|-----------|------------------------------------------|------|
| 01  | 124650221 | FILTRO 2TAZ.54,5X25 S/TAC.FORI D=48      |      | 01  | 124650221 | 2CUP FILT.54,5X25 W/O.NOT.HOLE D=48      |      |
| 02  | 126835918 | MOLLA FERMAFILTRO SOTTOCOPP.PIANETA      |      | 02  | 126835918 | FILTER LOCK. SPRING FILTERH. PIANE       |      |
|     | 126836818 | MOLLA FERMAFILTR.SOTTOCOP.STARBUCKS      |      |     | 126836818 | FILTERH. SPRING STARBUCKS                |      |
|     |           | <b>X C.A. PRODOTTE DAL 01/05/1999</b>    |      |     |           | <b>FOR C.A. PRODUCED FROM 01/05/1999</b> |      |
| 03  | 142862959 | CONVOGLIAT.FORO 1,6 PORTAFILTRO PRES/MEC |      | 03  | 142862959 | CONVEYOR HOLE 1,6 PRESS.FILTERHOLD.      |      |
| 04  | 145847762 | GUARNIZ.X CONVOGL.PORTAFIL.PRES/MEC      |      | 04  | 145847762 | PRESS. FILTERHOLD CONVEYOR SEAL          |      |
| 05  | 228771128 | SOTCOP.PRES/MECC.ALET.STRET.AL.BRIL      |      | 05  | 228771128 | PR.FILTERH. NARROW TONG. POL. ALU        |      |
|     | 17000097  | SOTCOP.PRES/MECC.V2 AL.BRIL.             |      |     | 17000097  | ALUM/POL.V2 PRES/MECC.FILTERHOLDER       |      |
|     | 11023167  | SOTTOCOP.PRES/MEC.STARB.OT/CROM.NSF      |      |     | 11023167  | NSF/CHROM.PRESS.FILTERHOLD.STARB.        |      |
| 06  | 126835818 | MOLLA X MANICO PORTAFIL.PRESSUR/MEC      |      | 06  | 126835818 | SPRING FILTERHOLD. HAND. PRESS.          |      |
| 07  | 229181800 | AS.SUPPORTO SPILLO PORTAF.PRESS/MEC      |      | 07  | 229181800 | PRESS. FILTERH. PIN SUPPORT              |      |
| 08  | 126768418 | MOLLA X CAMMA PORTAFILT.PRESSUR/MEC      |      | 08  | 126768418 | CAM SPRING FILT.HOLD PRESS.              |      |
| 09  | 126769918 | MOLLA X SPIL.PORTAFIL.PRES/MEC.L=13      |      | 09  | 126769918 | SPRING FILTH .NE.VAL.MEC.TAKEOFFL=       |      |
| 10  | 146552650 | MANICO NER.OP/LUC.PRES/MEC.SEN/SOTC      |      | 10  | 146552650 | HAND.BLA. OP/GLO PRESS. W/O FILTER       |      |
|     | 146552663 | MANICO GRI.OP/LUC.PRES/MEC.SEN/SOTC      |      |     | 146552663 | HAND.GREY OP/GLO.PRESS. W/O FILTER       |      |
| 11  | 11022223  | DISTANZ.PORTAFILTR.PRES/MEC.OT/TEA       |      | 11  | 11022223  | TEA/BRASS SPACER FOR PRESS.FILTERHOLDER  |      |
| 12  | 129730721 | VITE TCB PZ/SW 4X12 UNI 8112 INOX        |      | 12  | 129730721 | TCB SCREW PZ/SW 4X12 UNI 8112 SS         |      |
|     | 226551250 | PORTAFILT.PRESS.MECC.ALET.STRET.NER      |      |     | 226551250 | PRESS. FILTERH.NARROW TONGUE BLA.        |      |
|     | 226551263 | PORTAFILT.PRESS.MECC.ALET.STRET.GRI      |      |     | 226551263 | PRESS. FILTERH.NARROW TONGUE GREY        |      |
|     | 226551650 | PORTAFILT.PRESS.MECC.AL.NERO OP/LUC      |      |     | 226551650 | PRESS. FILTERH. ALU BLACK OP/POLIS       |      |
|     | 226551663 | PORTAFILT.PRESS.MECC.AL.GRIG.OP/LUC      |      |     | 226551663 | PRESS. FILTERH. ALU.GREY OP/POLISH       |      |
|     | 226551850 | PORTAFILT.PRESS.MECC.OT.NERO OP/LUC      |      |     | 226551850 | PRESS. FILTERH. BRASS BLACK OP/POL       |      |
|     | 226551863 | PORTAFILT.PRESS.MECC.OT.GRIG.OP/LUC      |      |     | 226551863 | PRESS. FILTERH. BRASS GREY OP/POLI       |      |