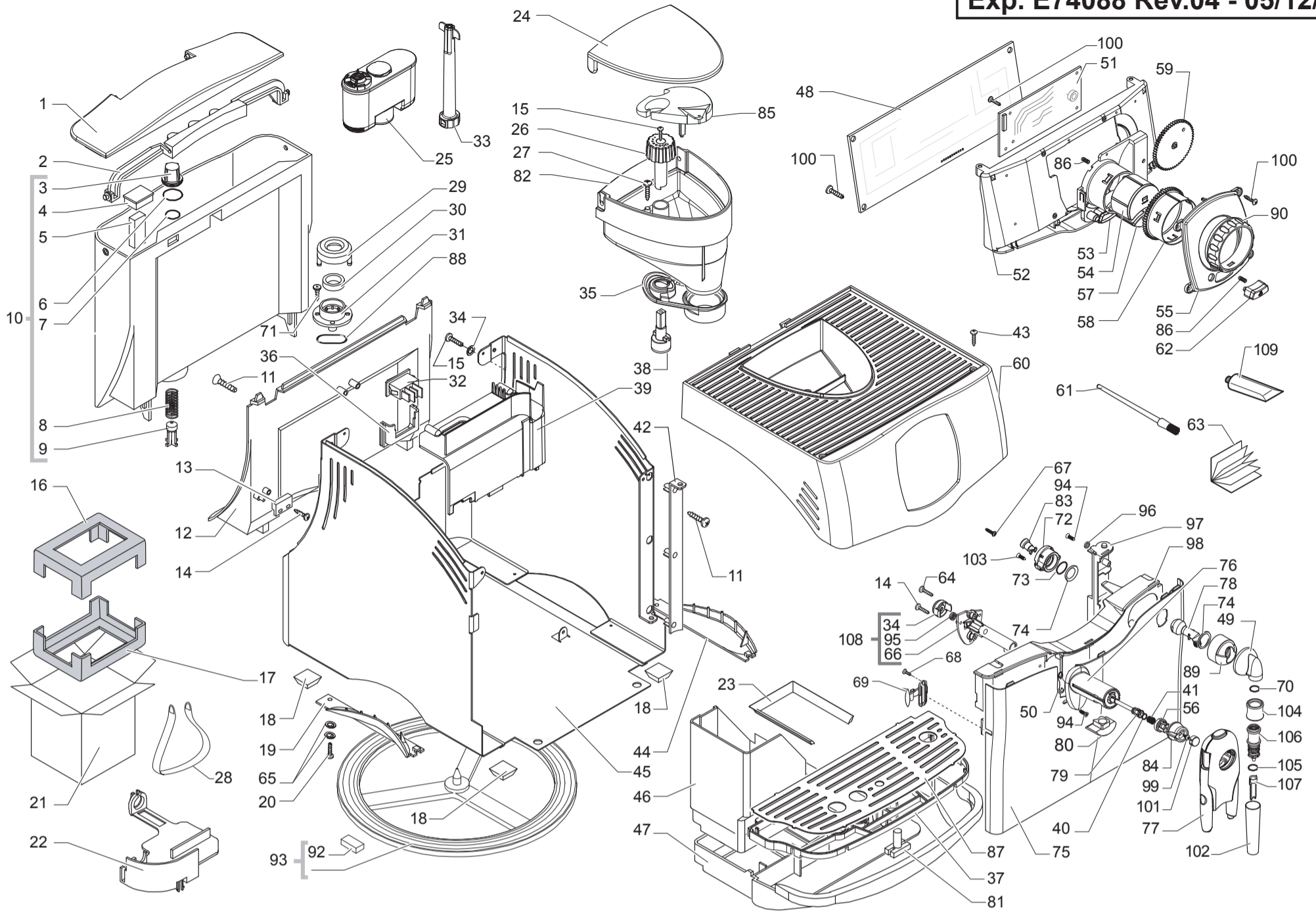


Saeco SUP021YOR
INTERNATIONAL GROUP

Cod. 1000022-23-30-31-32-501

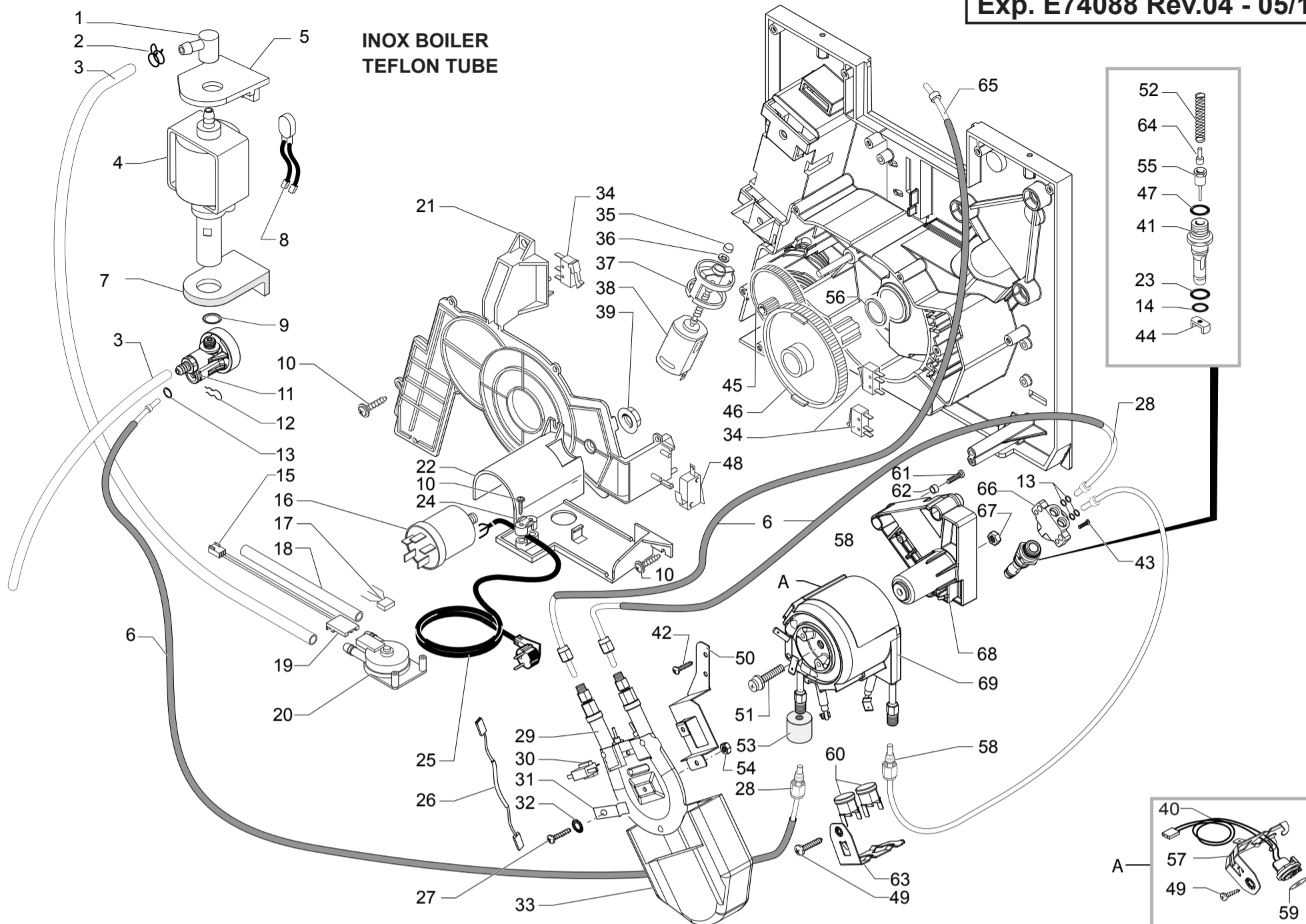
POS	CODE	DESCRIPTION	NOTE	POS	CODE	DESCRIPTION	NOTE
01	142816500	WATER CONTAINER LID SMART NATURAL/GREY		38	145897300	INSERT GRINDING ADJUSTM.KNOB SMART	
02	146580950	BLACK KNOB WATER CONTAINER LID SMAR		39	147755800	INT.CASING PROTECTION POWER CABLE	
03	144650800	WATER TANK FILTER		40	140326661	OR METRIC 0040-20 IN EPDM	
04	149214359	BLACK CAP FOR FLOATING SPACE LAV.		41	126772518	SPRING FOR CREAM ADJUSTMENT SHAFT	
05	9161.112.150	LEVEL FLOAT GREY		42	226481441	DOOR HINGE KIT SMART SILVER	
06	140328461	EPDM OR METRIC 0019-10		43	226481450	DOOR HINGE KIT SMART BLACK	
07	140324362	OR METRIC 0060-30 IN SILICONE		44	U143.018	screw TORX TCB 3,5X16 F TIP BL	
08	126764718	SPRING FOR WATER CONTAINER VALVE		45	225920108	HANGRIP DX SMART CHROMED	
09	147660562	GREY PISTON FOR WATER VALVE		46	11001021	MATT SILVER CASING SMART	
10	222693500	WATER CONTAINER AS.SMART NATUR/GREY		47	222360450	CASING WITH KNOB SMART BLACK	
11	12000381	SCREW TSP PZ2/TT M3X8 UNI 8109 ZINC		48	11005555	BLACK DUMP BOX SMART SILK/SCREEN	
12	149194650	SUPPORT WATER CONT. W/O LAMP HOUSING	230V	49	229630841	SILVER DRIP TRAY SMART	
13	149194618	SUPPORT WATER CONT. W/O LAMP HOUSING	120V	50	229630850	BLACK DRIP TRAY SMART	
14	283551900	2 POLE LEVEL SENSOR AS.SMART	230V	51	229630852	BLACK DRIP TRAY SMART/UL	120V
15	283551955	2 POLE LEVEL SENSOR AS.SMART	120V	52	11002812	CPU/POWER ELECTR.BOARD RONDO'/V1 RS	230V
16	129910921	HI-LO TC SCREW 3X10 STEEL		53	11005406	CPU/POWER BOARD RONDO'/V1 RS	120V
17	129661204	SCREW PANELVIT TCB 3X16 DIN7505 BRU		54	228660304	CONNECTOR FOR STEAM TUBE	
18	175898600	UPPER TECHMATE INSERT FOR BOX SMART1		55	127535820	PLATE FOR DOOR METALLIC SMART	
19	175897300	LOWER TECHMATE INSERT FOR BOX SMART		56	181555700	TOUCH PANEL ELECTRONIC BOARD RONDO'	
20	147623150	SQUARE ADHESIVE FOOT 5023 BLACK		57	149201250	BLACK SUPPORT ELECTRONIC CARD RONDO'	230V
21	225920208	HANGRIP SX SMART CHROMED		58	11000491	BLACK SUPPORT ELECTRON. CARD RONDO'/UL	120V
22	129511803	SCREW TCB 2,9X6,4 DIN 7981 NICK		59	149201350	SUPPORT FOR BUTTONS RONDO' BLACK	
23	178517600	DISPLAY BOX SAECO INCANTO S-CLASS	230V	60	149252350	BLACK BUTTON FOR ONE COFFEE	
24	13000050	DISPLAY BOX SAECO INCANTO S-CLASS USA	120V	61	224885341	FRONT PANEL SILVER RONDO' SIL/SCREEN	
25	148601650	GROMMET FOR POWER CABLE SMART		62	224885350	FRONT PANEL BLACK RONDO' SILK/SCREEN	
26	229170450	SEALING SUPPORT AS.WATER DRIP TRAY		63	149198700	SUPPORT CREAM ADJUSTMENT SHAFT	
27	142815800	BEAN COFF.CONT.LID SMART NATUR/GREY		64	149252450	BLACK BUTTON FOR TWO COFFEE	
28	223070200	CONFECTION SAECO AQUA PRIMA		65	149201450	BLACK SUPPORT FOR RING NUT RONDO'	
29	227721800	GRIND.ADJUST.NATGREY KNOB SMART S/S		66	146002200	POTENTIOMETER GEAR Z=58 RONDO'	
30	U142.005	PANELVIT TSP 4,5X16 DIN 7505 A GAL		67	11000162	COVER SMART SILVE.W.O/OPEN S/SCREEN	
31	179990300	BAND FOR LIFTING L=1550 H=300 MM			11000163	BLACK COVER W.O/OPEN S/SCR. PLUS RONDO	
32	0701.031.150	SEAL COVER GREY			11000519	BLACK COVER RONDO'/UL SILK/SCREEN	120V
33	145842900	WATER CONTAIN.VALVE SEAL GACO DIM14			11003065	BLACK COV. W.O/OPEN S/SCR.PLUS RONDO/UL	
34	0701.014.150	SEAL CONTAINER GREY		68	127390100	BRUSH FOR CLEANING	
35	NE03.038	BIPOLAR SWITCH FUSIT C1250AR		69	11000082	BLACK BUTTON FOR WARM WATER RONDO'	
36	145902250	INSERT FOR DECALCIFYING FILTER		70	15000030	INSTRUCT.MANUAL SAECO TYPE SUP021YOR	
37	149213450	CAP FOR COFFEE DISPENSER TUBE		71	15000031	INSTRUCT.MANUAL SAECO TYPE SUP021YOR	
		FROM S/N.9006SA40349625		72	15000050	INSTRUCT.MANUAL SAECO TYPE SUP021YOR	
38	145854760	BEAN COFFEE CONTAINER SEAL SMART		73	129571121	SCREW TCB PH/SW 3X14 UNI 8112 INOX	
39	149202550	SWITCH GENERAL SUPPORT BLACK SMART		74	U207.003	PLAIN WASHER 3,2X7 UNI 6592 GAL	
40	229183741	SILVER SUPPORT GRATE METAL SMART		75	11002322	COFFEE DISPENSER TUBE FOR ADJUST.SHAFT	
41	229183750	BLACK SUPPORT GRATE METAL SMART				FROM S/N.9006SA40349625	
42	229183752	BLACK SUPPORT GRATE METAL SMART/UL	120V	76	129660902	PANELVIT TCB SCREW 3,5X12 D.7505 Z	



Saeco SUP021YOR
INTERNATIONAL GROUP

Cod. 1000022-23-30-31-32-501

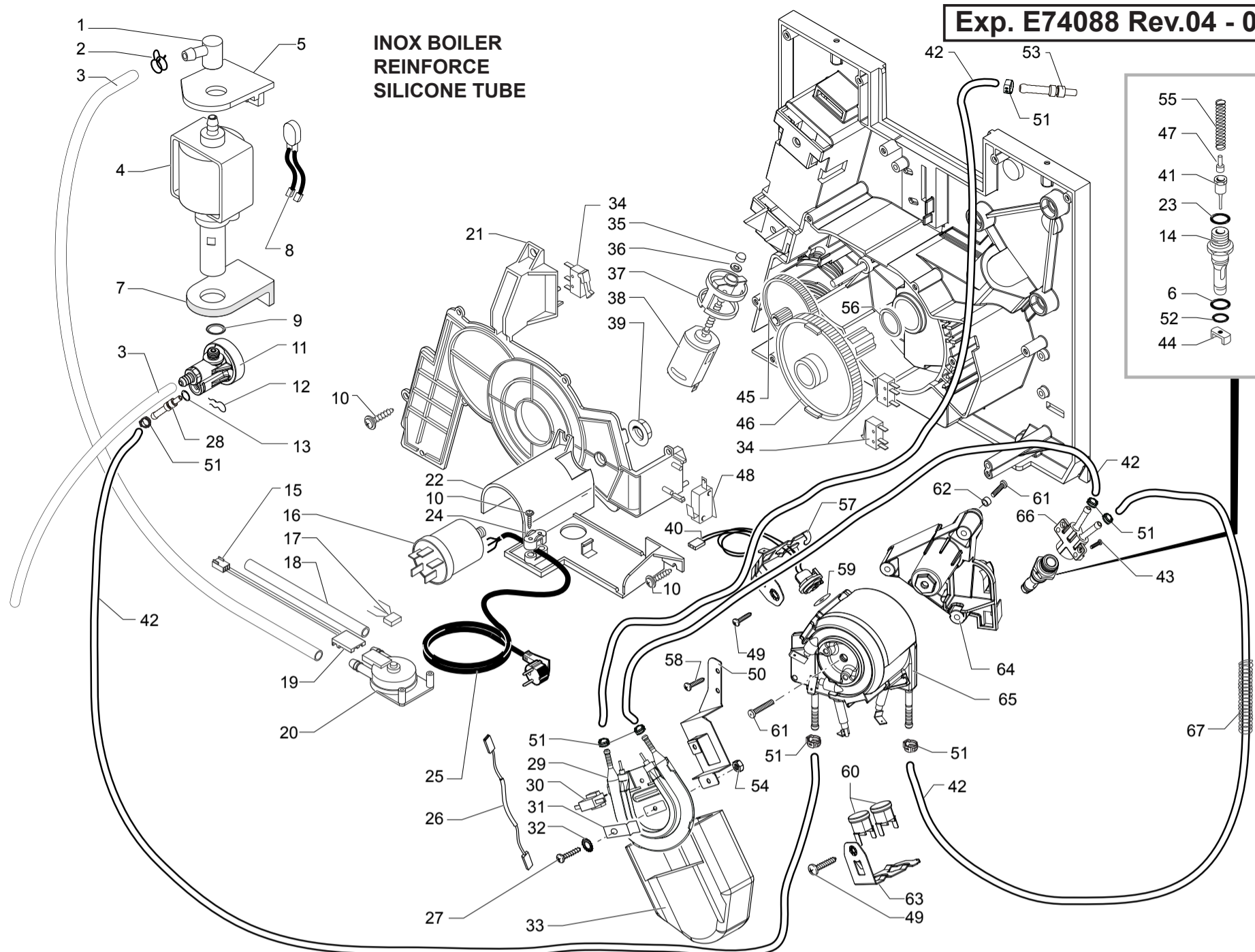
POS	CODE	DESCRIPTION	NOTE	POS	CODE	DESCRIPTION	NOTE
68	129670302	PANE.TCB SCREW 2,9X9,5 TES.D=7,5 ZN		102	122842121	EXTERNAL COVER ST.STEEL PANNAR.G100	
69	146313740	DISENGAGE LEVER GREY/SILVER DOOR SMART		103	129571521	SCREW TCB PH/SW 3X18 UNI 8112 INOX	
70	140324461	OR METRIC 0060-20 IN TERMOIL		104	147757050	STEAM TUBE PROTECTION	
71	129535721	SCREW TSP3,5X9,5 DIN 7982 SS		105	140320762	OR 108 IN SILICONE	
72	149200450	SUPPORT FOR ARTICULATED JOINT		106	222270249	UPPER TUBE ASS.FOR PANNARELLO	
73	140329162	OR 117 IN SILICONE 70 SH		107	4301018000	LOWER INTERNAL PIPE	
74	148620900	SEMISPHERE SEAL FOR ARTICULAT.JOINT		108	20000960	SPARES KIT FOR COFF. DISPENSER TUBE NEW UP TO S/N.9006SA40349624	
75	11001020	MATT/SILVER DOOR METALLIC SMART		109	11005044	SAECO KLUBER TRIBOSTAR SIL 2 TUBE 5GR.	
	228982950	DOOR METALL SMART BLACK					
76	229184704	COFFEE DISPENSER SUPPORT WITH HOLE					
77	223701041	SILVER COFFEE DISPENSER AS.SMART					
	223701050	BLACK COFFEE DISPENSER AS.SMART					
78	147922249	CONNECTOR FOR ARTICULATED JOINT					
79	140640200	CREAM ADJUSTMENT SHAFT					
80	145854962	SEAL FOR COFFEE DISPENSER V2 SMART					
81	145501211	RED FLOAT FOR DRIP TRAY SMART					
82	142714100	NATURAL/GREY BEAN CONTAINER SMART					
83	145896949	RETAINING INSERT TEFLON TUBE					
84	227701104	CREAM ADJUSTM.KNOB GLOSS CHR.PLATED					
85	147757800	BEAN CONT.PROTECT.SMART NATUR/GREY					
86	126773418	SPRING FOR BUTTON RONDO'					
87	125743421	STAINLESS STEEL GRATE SMART					
88	140320461	OR METRICO 0080-20 IN TERMOIL					
89	228660204	CONNECTOR FOR STEAM TUBE					
90	225110704	CHROME RING NUT FOR RONDO'					
91	129511921	SCREW TCB 2,9X6,4 DIN 7981 BZ SS					
92	9991.096	ADHESIVE FOOT 8X15X3,2					
93	220380259	ROTATING RING SMART WITH 3 FEET	WITH PART. N°92				
94	129562603	SCREW TSC PZ-B 2,9X9,5 UNI 6956 NI					
95	11002323	CONIC SEAL FOR COFFEE DISPENSER TUBE FROM S/N.9006SA40349625					
96	128310321	WASHER UNI 8842 A3 SS					
97	229183541	SUPPOR.HINGE DOOR METAL.SMART SILV.					
	229183550	SUPPOR.HINGE DOOR METAL.SMART BLACK					
	229183552	SUPPOR.HINGE DOOR METAL.SMART BLACK	120V				
98	229183141	SUPPORT DOOR METALLIC SMART SILVER					
	229183150	SUPPORT DOOR METALLIC SMART BLACK					
	229183152	SUPPORT DOOR METALLIC SMART BLACK	120V				
99	129512503	SCREW TCB 2,9X9,5 DIN 7981 NICK					
100	129661302	PANELVIT TCB SCREW 3X8 DIN 7505 ZNP					
101	229200250	BLACK CAP FOR KNOB CREAM ADJUSTMENT					



Saeco SUP021YOR
INTERNATIONAL GROUP

Cod. 1000022-23-30-31-32-501

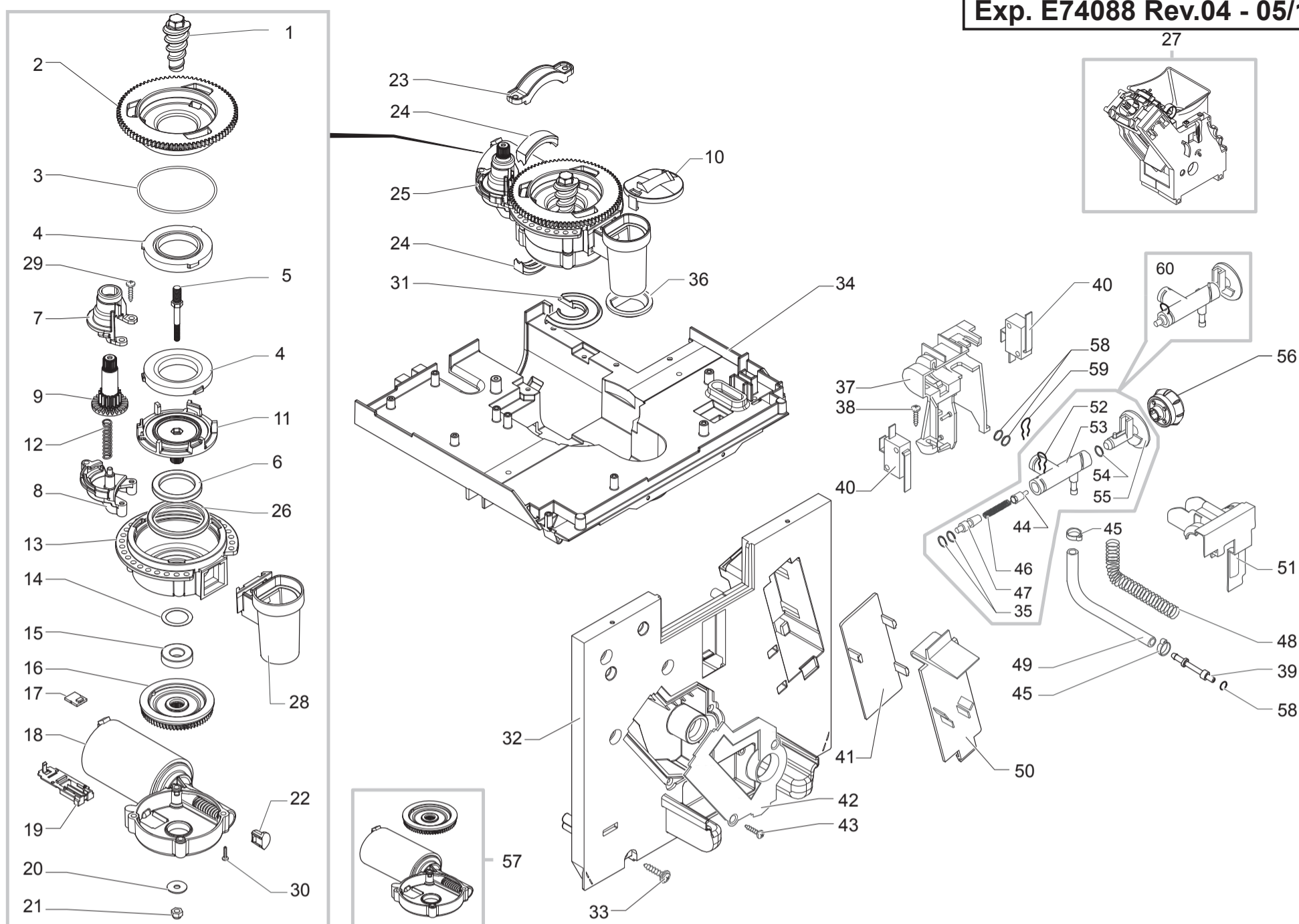
POS	CODE	DESCRIPTION	NOTE	POS	CODE	DESCRIPTION	NOTE
01	147920150	90° CONNECTOR PUMP INLET		36	148380200	WASHER BAKELIZZATE D=5,5	
02	184320200	SPRING HOSE CLAMP D=9,5MM		37	9121.044	ANTIVIBRATION FOR MOTOR	
03	149360200	SILICONE TUBE 5X8 70SR	IN ROLL	38	11003037	MOTOR FOR RATIOMOTOR ASSY.	
04	12000140	ULKA PUMP EP5/S GW	230V-50HZ	39	123453602	FLANGE NUT M8 TOOTHED BASE GALV.	
	12000131	ULKA PUMP EP5/S	120V-60HZ	40	288582300	SENSOR ELECT.BOARD WITH CONNECTOR	
	12000182	ULKA PUMP EP5/S GW	220V-60HZ	41	9011.100	PEG FOR VALVE IN PLASTIC	
05	149205710	PUMP SUPPORT HOLE 13,2 RED		42	129573402	SCREW TAPT M4X10 DIN 7985 GALV	
06	149361200	BLACK SILICON TUBE 7,5X9,3	IN ROLL	43	129910103	HI -LO TC SCREW 3,5X15 RIF.910189	
07	149185850	EATON PUMP SUPPORT MAGIC 4002012		44	11005099	NATURAL CURSOR V2 FOR BOILER P119	
08	0311.807	YELLOW HARNESS KLIXON JP 13	230V	45	9121.042	GEAR Z.12/90	
	289201000	THERMAL. PROTECT 120°C CABLE.125/3	120V	46	9121.069.150	GEAR Z.108 FOR MOUNTING PLATE M4000	
09	140321961	OR 2031 IN TERMOIL		47	140320459	OR METRICO 0080-20 SILICON.PTFE/FDA	
10	129914002	SCREW TCB TORX 10 3,5X16 PLAST.ZN-B		48	186723800	MICROSWITCH SAIA X3M502K2KAM92AS	
11	229452100	COMPENSATION AND SAFETY VALVE ASSY		49	129573202	SCREW TCB PH/TT 4X8 UNI 8112 ZNP	
12	9011.144	FORK FOR TUBE D.4		50	129025002	BRACKET BOILER SMART SUPPORT	
13	140328059	OR 2015 IN SILICONE PTFE/FDA		51	129932202	ROUND HEAD SCREW 10,9 M5X20 GALV	
14	NM01.057	OR ORM 0050-20 SILICONE		52	9011.132	SPRING FOR PIN	
15	283551300	3POLE CONNECT.AS.TURBINE JP18 SMART		53	147756562	PROTECTION FOR FOLK SPRING TUBE D=4	
16	184651100	ANTIDISTURB FILTER 0,47X2+1000Y2+0,5L	230V	54	U302.003	NUT HEXAGONAL M4 UNI 5588	
	184651500	ANTIDISTURB FILTER 16A FNC 1610474472A	120V	55	11009019	TEA/BRASS PISTON L=20,9 ASSY.	
17		PARTICULAR NOT AVAILABLE	SEE PART. N°20	56	9161.132	MYLAR WASHER FOR RATIOMOTOR	
18	JS01.022	SILICONE TUBE 5X10 60 SHORE	IN ROLL	57	126838217	SENSOR FIXING SPRING	
19	9161.018	FORK FOR WATERWHEEL		58	227876800	CONNECTOR AS.TEFLON 2X4 L=235 MM	
20	286473300	-M-VDE TURBINE WITH SENSOR KIT	WITH PART. N°17	59	145951600	ELECTRIC INSULATING DISK D=16	
21	9161.331.920	RATIOMOTOR COVER TRANSPARENT		60	189428200	THERMOSTAT 175° 1NT-08L-3794	230V
22	149194800	TURBINE SUPPORT SMART			189428600	THERMOSTAT 175° 1NT-08L-5125	120V
23	NM01.035	OR ORM 0090-20 SILICONE		61	129932502	SELF DRILLING SCREW 5X30 GALVANIZED	
24	148600600	CABLE CLAMP V0 MAGIC ESP COMBI UL		62	9161.206	INSULATING SPACER FOR BOILER	
25	NE01.120	BLACK POWER CABLE SCHUKO L=1500		63	126838117	2 THERMOSTATS FIXING SPRING	
	NE01.118	BLACK POWER CABLE CH L=1500MM		64	11009013	TEA/BRASS PIN FOR PISTON L=10	
	183922450	P.CABLE SJT 16AWG USA BLACK L=1500		65	227875400	CONNECTOR AS.TEFLON 2X4 L=330 MM	
	11001845	BLACK POWER CABLE KOREA 3X1,25 L=1600		66	147922700	BOILER SUPPORT CONNECTOR	
26	183440800	CABLE 1 WIRE SILIC.BLACK THERM/FUSE 229°	230V	67	123453902	SELF-LOCKI.NUT M5X0,8 DIN 980 CLA.8	
	183441062	CABLE 1WIRE SILICON.BLACK AWG18+TH/FUSE	120V	68	149197700	SUPPORT FOR ALLUMINIUM BOILER SMART	
27	129823802	TCB SCREW M4X8 UNI 7687 ZNP		69	282058858	ALUM.BOILER AS.WITH RESISTANCE	230V
28	227874900	CONNECTOR AS.TEFLON 2X4 L=250 MM			282058855	ALUM.BOILER AS.WITH RESISTANCE	120V
29	288140458	HEATING-ELEMENT BLECKMAN ASSY. 1000W	230V		289435200	GENERAL TURBINE FOR SMART ASSY.	
	288140455	HEATING-ELEMENT BLECKMAN ASSY. 1000W	120V		282135555	ALUM.BOILER 120V AS.WITH RESISTANCE	
30	189428300	THERMOSTAT 175° INTERCONTR.161471002			282135558	ALUM.BOILER 230V AS.WITH RESISTANCE	
31	127535319	THERMAL FUSE FIXING PLATE				WITH PART. N° 13-14-23-28-40-41-43-44-47-49-51	
32	128310404	WASHER UNI 8842 A4 BURNISHED				52-53-55-57-59-60-63-64-66-67-68-69-70	
33	147755900	HEAT.ELEMENT PROTECT. BLECKMANN SMART					
34	NE05.038	MICROSWITCH					
35	9121.046	SINTERED BUSH FOR MOTOR					



Saeco SUP021YOR
INTERNATIONAL GROUP

Cod. 1000022-23-30-31-32-501

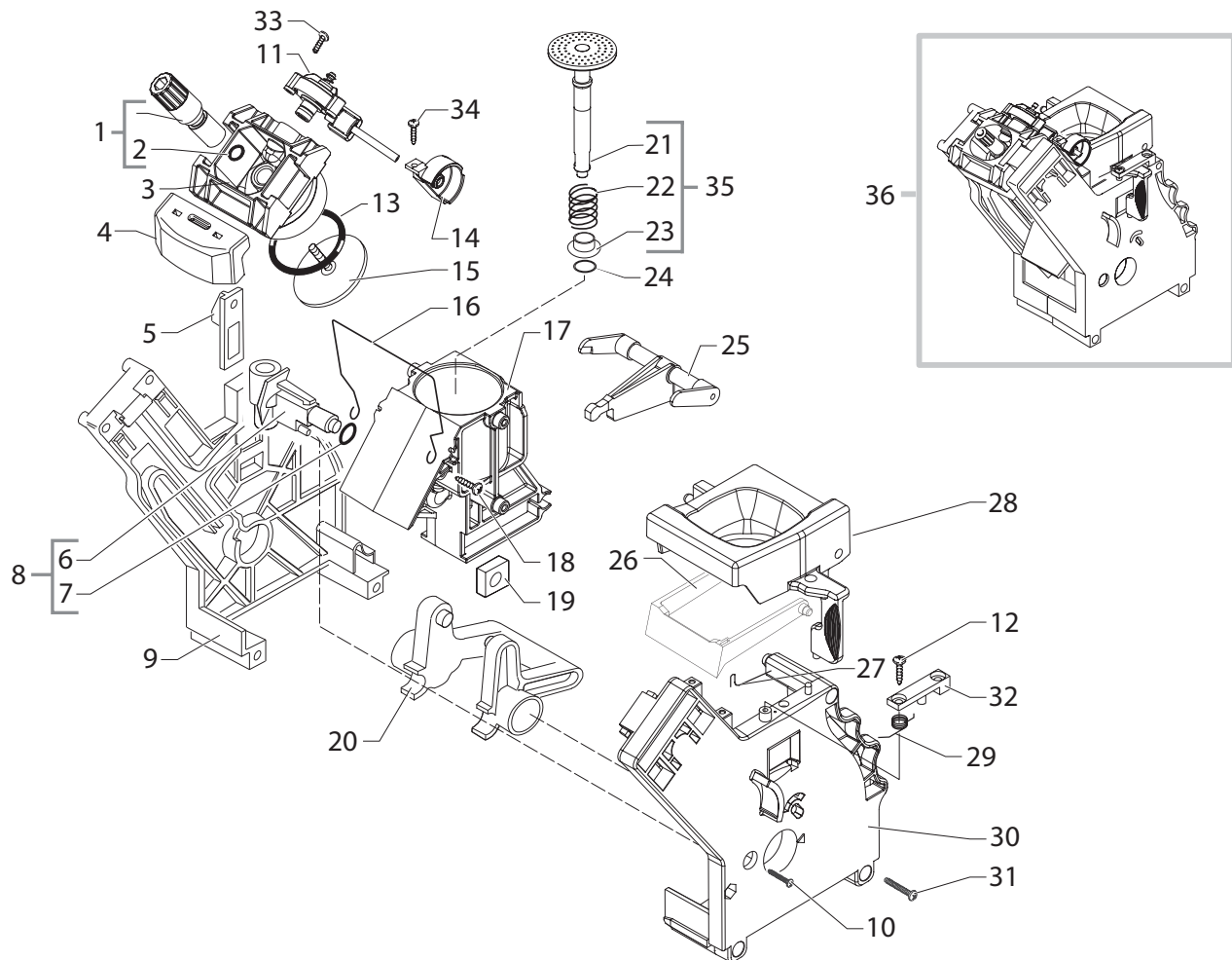
POS	CODE	DESCRIPTION	NOTE	POS	CODE	DESCRIPTION	NOTE
01	147920150	90°CONNECTOR PUMP INLET		42	16000380	5X8,9 SILICONE TUBE IN ROLL	
02	184320200	SPRING HOSE CLAMP D=9,5MM		43	129910103	HI-LO TC SCREW 3,5X15 RIF.910189	
03	149360200	SILICONE TUBE 5X8 70SR	IN ROLL	44	11005099	NATURAL CURSOR V2 FOR BOILER P119	
04	12000140	ULKA PUMP EP5/S GW	230V-50HZ	45	9121.042	GEAR Z.12/90	
05	149205710	PUMP SUPPORT HOLE 13,2 RED		46	9121.069.150	GEAR Z=108 FOR MOUNTING PLATE M4000	
06	NM01.035	OR ORM 0090-20 SILICONE		47	11009013	TEA/BRASS PIN FOR PISTON L=10	
07	149185850	EATON PUMP SUPPORT MAGIC 4002012		48	186723800	MICROSWITCH SAIA X3M502K2KAM92AS	
08	0311.807	YELLOW HARNESS KLIXON JP 13		49	129573202	SCREW TCB PH/TT 4X8 UNI 8112 ZNP	
09	NM02.028	OR 2015 EPDM FDA		50	129025002	BRACKET BOILER SMART SUPPORT	
10	129914002	SCREW TCB TORX 10 3,5X16 PLAST.ZN-B		51	12000892	OETIKER CLAMP D=9,5 16700004	
11	229452100	COMPENSATION AND SAFETY VALVE 16BAR ASSY		52	NM01.057	OR ORM 0050-20 SILICONE	
12	9011.144	FORK FOR TUBE D.4		53	11000750	TEA/BRASS CONNECTOR FOR SILICONE TUBE	
13	140328059	OR 2015 IN SILICONE PTFE/FDA		54	U302.003	NUT HEXAGONAL M4 UNI 5588	
14	9011.100	PEG FOR VALVE IN PLASTIC		55	9011.132	SPRING FOR PIN	
15	283551300	3POLE CONNECT.AS.TURBINE JP18 SMART		56	9161.132	MYLAR WASHER FOR RATIOMOTOR	
16	184651100	ANTIDISTURB FILTER 0,47X2+1000Y2+0,5L		57	126838217	SENSOR FIXING SPRING	
17		PARTICULAR NOT AVAILABLE	SEE PART. N°20	58	129573402	SCREW TAPT M4X10 DIN 7985 GALV	
18	JS01.022	SILICONE TUBE 5X10 60 SHORE IN ROLL		59	145951600	ELECTRIC INSULATING DISK D=16	
19	9161.018	BRACKET FOR TURBINE		60	189428200	THERMOSTAT 175° 1NT-08L-3794	
20	286473300	-M-VDE TURBINE WITH SENSOR KIT	WITH PART. N°17	61	129932502	SCREW TCEI 5X30 PLAST.ZN-B	
21	9161.331.920	TRANSPARENT RATIOMOTOR COVER		62	9161.206	INSULATING SPACER FOR BOILER	
22	149194800	NATURAL TURBINE SUPPORT SMART		63	126838117	2 THERMOSTATS FIXING SPRING	
23	140320459	OR METRICO 0080-20 SILICON.PTFE/FDA		64	11004209	SUPPORT FOR ALLUMINIUM BOILER SMART	
24	148600600	CABLE CLAMP V0 MAGIC ESP COMBI UL		65	11004667	ALUM.BOILER WITH RESISTANCE 1100W 230V	
25	NE01.120	BLACK POWER CABLE SCHUKO L=1500		66	11002606	BOILER SUPPORT CONNECTOR	
26	183440800	CABLE 1 WIRE SILIC.BLACK THERM/FUSE 229°		67	11004703	SPRING DI=8,8 FOR FABRIC FINISH TUBE	
27	129823802	TCB SCREW M4X8 UNI 7687 ZNP			11004546	BOILER SMART/RS-V2 230V ASSY.	
28	11001460	BLACK CONNECTOR FAST LOCK-SILICONE TUBE					
29	11004555	HEATING-ELEMENT BLECKMAN 230V 1000W					
30	189428300	THERMOSTAT 175° INTERCONTR.161471002					
31	127535319	GALV/STEEL THERMAL FUSE FIXING PLATE					
32	128310404	WASHER UNI 8842 A4 BURNISHED					
33	147755900	HEAT.ELEMENT PROTECT. BLECKMANN SMART					
34	NE05.038	MICROSWITCH					
35	9121.046	SINTERED BUSH FOR MOTOR					
36	148380200	WASHER BAKELIZZATE D=5,5					
37	9121.044	ANTIVIBRATION FOR MOTOR					
38	11003037	MOTOR FOR RATIOMOTOR ASSY.					
39	123453602	FLANGE NUT M8 TOOTHED BASE GALV.					
40	288582300	SENSOR ELECT.BOARD WITH CONNECTOR AS.					
41	11009019	TEA/BRASS PISTON L=20,9 ASSY.					



Saeco SUP021YOR
INTERNATIONAL GROUP

Cod. 1000022-23-30-31-32-501

POS	CODE	DESCRIPTION	NOTE	POS	CODE	DESCRIPTION	NOTE
01	9141.001	BRASS INCREMENT SCREW MC		28	11026355	BLK GROUND COFF.OUTLET CONVEYOR V4 ASSY.	
02	149198250	UPPER GRINDER SUPPORT COFFEEGRINDER		29	129914002	SCREW TCB TORX 10 3,5X16 PLAST.ZN-B	
03	140328960	NBR FDA OR METRIC 0530-15		30	129661702	PANELVIT TCB SCREW 3,5X25 D.7505 ZN	
04	146520100	BAKED CLAY KLAGER GRINDER 48X28		31	145854662	COFEGRIND.MOTOR ANTIVIBR.SEAL SMART	
05	127473603	PIN M4-M6 NICK.FOR INCREMENT SCREW		32	227533000	ASSEMBLY BOILER SUPPORT PLATE SMART	230V
06	123030300	AXIAL BEARING EKKO 342.35252			11001587	MOUNTING PLATE NESPRESSO/UL WITH PIN	120V
07	149199750	UPPER GEAR SUPP. COFFEEGRINDER SMART		33	129670202	PANE. TCB SCREW 3,5X16 TESTA D=8 Z	
08	149199850	LOWER GEAR SUPP. COFFEEGRINDER SMART		34	147532300	BLACK GRINDER SUPPORT PLATE SMART	230V
09	146002150	COFFEE GRINDING ADJUSTMENT GEAR SMART			11000467	BLACK GRINDER SUPPORT PLATE SMART/UL	120V
10	142816950	LID GROUND COFFEE OUTLET CONVEYOR		35		PARTICULAR NOT AVAILABLE	SEE PART.N°60
11	149198350	LOWER GRINDER SUPPORT COFFEEGRINDER		36	145854462	GROUND COFFEE CONT.SEAL LOWER SMART1	
12	126772918	SPRING FOR ADJUSTMENT GRINDING GEAR		37	11005343	BLACK FAUCET SUPPORT V2 SMART	
13	142905450	UPPER BODY WITH COFFE.GROUND OUTLET		38	129660902	PANELVIT TCB SCREW 3,5X12 D.7505 Z	
14	128381800	CRINKLE WASHER 21,8X15,8X0,2		39	227961303	STRAIGHT CONNECTOR	
15	123030200	RADIAL BEARING 61900.2RS1		40	186724200	MICROSWITCH SAIA X3M502K2KAJ32AV	
16		PARTICULAR NOT AVAILABLE	SEE PART. N°57	41	9161.345.050	INT.COVERING BLACK PUMP SPACE	
		UP TO S/N 9005SA40367557		42	9161.333.050	BOILER BLACK COVER	
	226000300	GEAR SX Z=38 FOR GRINDER MOTION ASSY.		43	129535721	SCREW TSP3,5X9,5 DIN 7982 SS	
		FROM S/N 9005SA40367558		44		PARTICULAR NOT AVAILABLE	SEE PART.N°60
17	20000230	KIT SPARES FOR SENSOR MC/V3 SMART 230V		45	NF11.052	OETIKER CLIP	
		FROM S/N 9005SA90357734		46		PARTICULAR NOT AVAILABLE	SEE PART.N°60
	181540900	ELECTRONIC BOARD WITH SENSOR HAL506		47		PARTICULAR NOT AVAILABLE	SEE PART.N°60
		UP TO S/N 9005SA90357735		48	126772018	SPRING DI=7,5 FOR FABRIC FINISH TUB	
18		PARTICULAR NOT AVAILABLE	SEE PART. N°57	49	JS01.019	SILIC. TUBE FABRIC FINISH 3X7	IN ROLL
		UP TO S/N 9005SA40367557		50	9161.332.050	EXT.COVERING BLACK PUMP SPACE	
	11004354	MOTOR COFFEEGRINDER/V3.1 IME ASSY.	230V	51	147756400	PROTECTION FAUCET BODY WATER/STEAM	
		FROM S/N 9005SA40367558		52		PARTICULAR NOT AVAILABLE	SEE PART.N°60
	11004409	MOTOR COFFEEGRINDER/V3.1 IME ASSY.	120V	53		PARTICULAR NOT AVAILABLE	SEE PART.N°60
		FROM S/N 9005SA40367558		54		PARTICULAR NOT AVAILABLE	SEE PART.N°60
19	149199050	SENSOR SUPPORT FOR COFF.GRIND.MOTOR		55		PARTICULAR NOT AVAILABLE	SEE PART.N°60
20	128381902	FLAT WASH.DI=4,3 DE=14 SP=1,5 GALV.		56	227710904	STEAM KNOB ZAMAS CHROM.PLATED SMART	
21	123453102	SELF LOCK NUT M4 DIN 982 HIGH GALV.		57	20000202	SPARES KIT MOTOR COFFEEGRINDER/V3 230V	WITH PART. N°16-18
22	149214800	CAP FOR WORM SCREW MC/V3 CENTRING				UP TO S/N.9005SA40367557	
23	144752300	DEADLOCK MOTOR FLANGE SMART1				20000410	WITH PART. N°16-18
24	145854562	COFFEEGRIND.MOTOR SUPPORT SEAL SMART1				UP TO S/N.9005SA40367557	
25	11000516	GENERAL MOTOR ASS.MC/V3.1	230V	58	140328059	OR 2015 IN SILICONE PTFE/FDA	
	11000514	GENERAL MOTOR ASS.MC/V3	120V	59	9011.144	FORK FOR TUBE D.4	
26	140360500	FELT RING 45,4X39,4X4		60	20007014	KIT STEAM FAUCET SMART ASSY.	COMPLETE
27	11003426	BLACK BREW UNIT V3 NEW/SBS SMART					
		SEE COD. EXP. E90046 NEXT PAGE					
		NOTE:FOR SINGLE PARTS OF OLD GREY BREW UNIT:					
		SEE ESP.CODE E90041 LAST PAGE					



Saeco
INTERNATIONAL GROUP

SUP 021 SBS / INC 001-002



Cod. 11003426

POS	CODICE	DESCRIZIONE	NOTE
01	227470150	AS.PERNO X DOCCIA COMPLETO NERO	
02	NM02.006	OR R5 TERMOIL	
03	11003428	CONTROPISTONE X GRUPPO CAFF.SMART NERO	
04	11000197	PROTEZIONE X SCHIZZI GRUPPO CAFFE' SMART	
05	9161.373.050	PIASTRINA AGGANCIAMENTO GRUP.CAF.SMART NERO	
06	9161.064.050	MANICOTTO ENTRATA ACQUA GRUP.CAFF.NERO	
07	NM02.007	OR 2025 TERMOIL	
08	20000440	GRUPPO RICAMBIO MANICOTTO NERO	
09	9161.375.050	PIASTRA POSTERIORE GRUPPO SMART NERO	
10	12000550	VITE TCB 3X25 PLAST.INOX	
11	229452400	AS.GEN.VALV.SAECO BREWING SYSTEM SMART	
12	12000895	VITE TSP 3X10 PLAST.INOX	
13	NM01.044	OR ORM 0320-40 IN SILICONE PTFE/FDA	
14	149198850	SUPPORTO TUBO TEFLON GRUPPO SMART NER	
15	9160.075	AS.DOCCIA DE=35,8 ELFO C/VITE E DADO	
16	11001556	MOLLA RASATORE H=49 X GRUPPO CAF.SMART	
17	11003075	AS.CONT.CAFC/BOCC.SALD.GRUP.P124 8G.NER	CON PART.N°24
18	129912521	VITE TCBR 3,5X14 PLAST.INOX	
19	9161.094.050	BLOCCETTO FORATO GRUP.CAFFE' PA/NERO	
20	9161.066.050	ALBERO A GOMITO X GRUPPO NERO	
21	11003077	AS.PISTONE INTEGRALE GRUP.P124 8GR.NERO	
22	9161.198	MOLLA PISTONE GRUPPO CAFFE' M5000	
23	9161.191	BOCCOLA PISTONE GRUP.CAFF.M5000 NEUTRO	
24	NM02.018	OR METRICO 0090-25 IN TERMOIL	
25	11003078	BIELLA X GRUPPO P124 8GR.NERO	
26	11004161	RASATORE X GRUPPO CAFFE' NERO	
27	9161.046	MOLLA X RASATORE GRUPPO	
28	149261350	TRAMOGGIA GRUPPO CAFFE' SMART1 NERO	
29	9161.378	MOLLA TRAMOGGIA GRUPPO CAFFE' SMART	
30	11005920	PIASTRA ANT.GRUPPO SMART S/F.NER.SER.NEW	
31	12000897	VITE TCB 3,5X20 PLAST.INOX	
32	9161.374.050	PIASTRA FISS.TRAMOGG.GRUP.CAF.SMART NERO	
33	U109.027	VITE TCB 2,9X19 LAMIERA INOX	
34	129910921	VITE TCB 3X10 PLAST.INOX	
35	11023086	AS.GEN.PISTONE INTEGR.GRUP.CAF.8GR.NER.	
36	11003426	GRUPPO CAFFE' V3 SMART/NEW/SBS NERO	

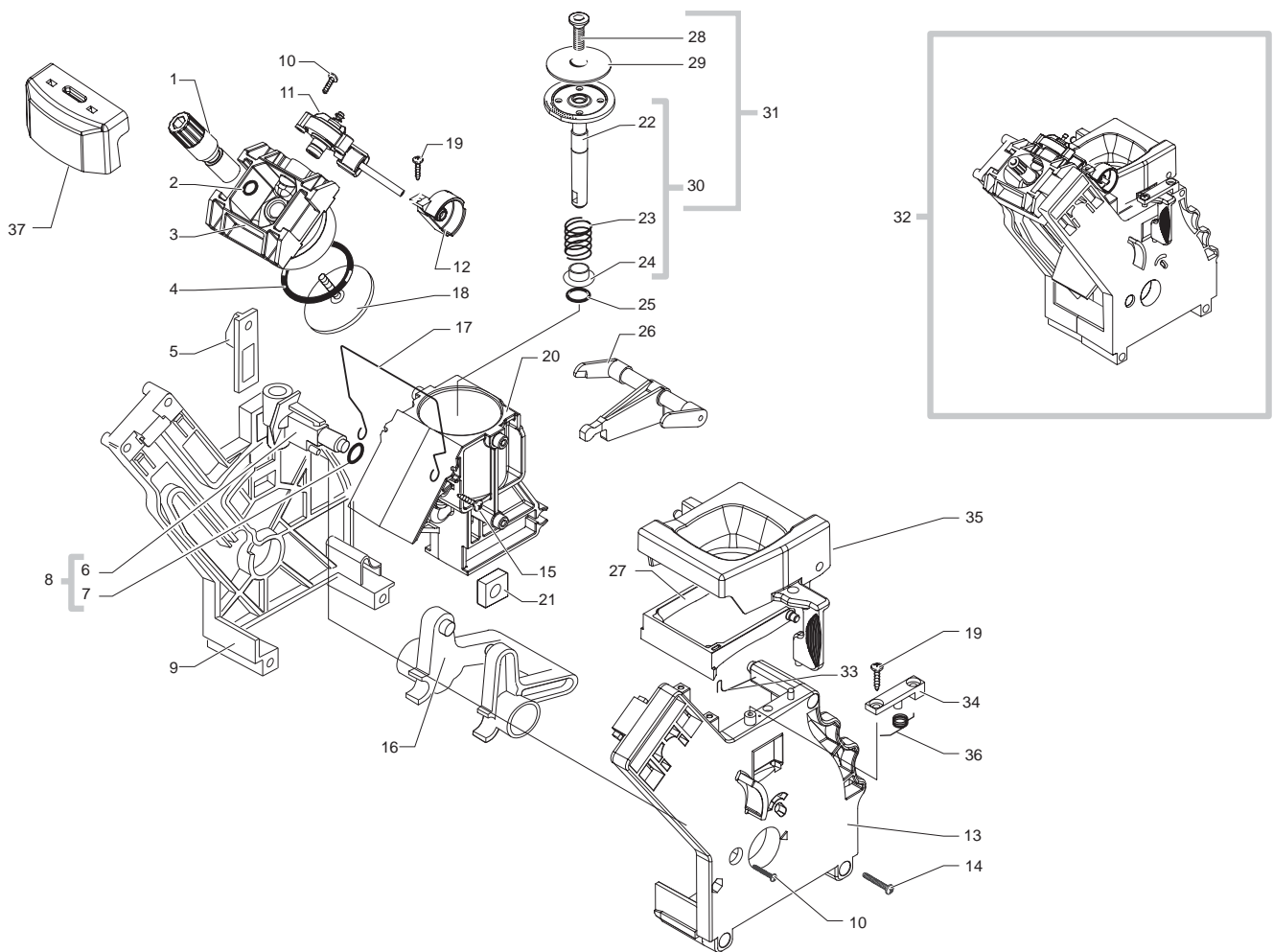
POS	CODE	DESCRIPTION	NOTE
01	227470150	PIN BLACK ASS.FOR PERCOLATOR	
02	NM02.006	OR R5 TERMOIL	
03	11003428	BLACK COUNTERPISTON FOR SMART COF.UNIT	
04	11000197	PROTECTION FOR BREW UNIT SMART	
05	9161.373.050	BLACK COUPLING PLATE BREW UNIT SMART	
06	9161.064.050	BLACK WATER INLET SLEEVE BREW UNIT	
07	NM02.007	OR 2025 TERMOIL	
08	20000440	BLACK SPARE SLEEVE UNIT	
09	9161.375.050	BLACK REAR PLATE FOR BREW UNIT SMART	
10	12000550	SCREW TCB TORX 10 3X25 PLAST.SS	
11	229452400	SAECO BREWING SYSTEM VALVE SMART ASSY.	
12	12000895	SCREW TSP TORX 10 3X10 PLAST.SS	
13	NM01.044	OR ORM 0320-40 IN SILICONE PTFE/FDA	
14	149198850	BLACK SUPPORT TEFL. TUBE BREWUNIT SMART	
15	9160.075	PERCOLATOR DE=35,8 ELFO ASSY.	
16	11001556	SPRING H=49 FOR COFFEE BREW UNIT SMART	
17	11003075	BLACK COFFEE CONTAINER BREW UNIT P124	WITH PART.N°24
18	129912521	SCREW TCBR TORX 10 3,5X14 PLAST.SS	
19	9161.094.050	BLACK DRILLED BLOCK BREW UNIT	
20	9161.066.050	ELBOW SHAFT FOR UNIT BLACK	
21	11003077	BLACK INTEGRAL PISTON UNIT P124 8GR.ASS	
22	9161.198	PISTON SPRING BREW UNIT M5000	
23	9161.191	NEUTRAL PISTON BUSH BREW UNIT M5000	
24	NM02.018	OR ORM 0090-25 TERMOIL	
25	11003078	BLACK CONNECTING ROD FOR UNIT P124 8GR.	
26	11004161	BLACK SCRAPER FOR COFFEE UNIT	
27	9161.046	SPRING FOR UNIT SCRAPER	
28	149261350	BLACK HOPPER DOSER BREW UNIT SMART1	
29	9161.378	SPRING HOPPER SMART BREW UNIT	
30	11005920	BLACK FRONT PLATE BREW UNIT SMART S.SCR.	
31	12000897	SCREW TCB TORX 10 3,5X20 PLAST.SS	
32	9161.374.050	BLACK HOPPER BLOCKING PLATE UNIT SMART	
33	U109.027	SCREW TCB TORX 10 2,9X19 SHEET SS	
34	129910921	SCREW TCB TORX 10 3X10 SS	
35	11023086	BLK 8GR.BREW UNIT NTEGR.PISTON GEN.ASSY.	
36	11003426	BLACK BREW UNIT V3 NEW/SBS SMART	

Saeco
INTERNATIONAL GROUP

GRUPPO CAFFE' SMART V3 NEW SBS NERO

Rev. 03 - 23/11/09

TAVOLA 1/1



Saeco
INTERNATIONAL GROUP

GRUPPO CAFFE' 2 DOSI PER SUP 021 SBS



Cod. 225802550-2650

POS	CODICE	DESCRIZIONE	NOTE
01	227470150	AS.PERNO X DOCCIA COMPLETO NERO	
02	NM02.006	OR R5 TERMOIL	
03	142990150	CONTROPISTONE GRUPPO SMART1 NERO	
04	140329262	OR METRICO 0380-40 IN SILICONE	
05	9161.373.050	PIASTRINA AGGANCIO GRUPPO SMART NERA	
06	9161.064.050	MANICOTTO ENTRATA ACQUA NERO	
07	NM02.007	OR 2025 TERMOIL	
08	0301.R04.150	GRUPPO RICAMBIO MANICOTTO GRIGIO	
09	9161.375.050	PIASTRA POSTERIORE GRUPPO SMART NERA	
10	U109.027	VITE AUT.TCB 2,9X19 DIN 7981 C INOX	
11	229452400	AS.VALVOLA SAECO BREWING SYSTEM SMART	
12	149198859	SUPPORTO TUBO TEFLON GRUPPO SMART GRI	
13	227532950	PIASTRA ANT.GRUPPO SMART S/FORO NER.SER	
14	U109.026	VITE AUT.TCB 3,5X19 DIN 7981 C INOX	
15	U109.013	VITE AUT.TCB 3,5X13 DIN 7981 C NIK	
16	9161.066.050	ALBERO A GOMITO X GRUPPO NERO	
17	11001556	MOLLA RASATORE H=49 X GRUPPO CAF.SMART	
18	11009162	DOCCIA D=35,8 276FORI C/VITE M3x20 LUCID	
19	U109.028	VITE AUT.TCB 2,9X9,5 DIN 7981 C INOX	
20	11001695	AS.CONTEN.CAFFE' GRUPPO SMART1 NEW NER	
21	9161.094.050	BLOCCETTO FORATO X GRUPPO NERO	
22	227660950	AS.PISTONE C/INS.M3 X GRUPPO SMART1 NERO	
23	126773318	MOLLA X PISTONE GRUPPO SMART1	
24	9161.191	BOCCOLA X PISTONE NEUTRO	
25	140329361	OR METRICO 0100-25 IN TERMOIL	
26	141600750	BIELLA X GRUPPO SMART1 NERA	
27	147990150	RASATORE X GRUPPO SMART1 NERO	
28	129852821	VITE TSP M3X14 UNI 7688 INOX	
29	9161.167	DOCCIA D.35,8	
30	11002849	AS.PIST.C/DOCCIA S/MOLLA GRUP.SMART1 NER	
31	227680150	AS.PIST.C/DOCCIA C/MOLLA GRUP.SMART1 NER	
32	225802550	GRUPPO CAFFE' SMART1/SBS S/FORO NERO	
33	225802650	GRUPPO CAF.SMART1/SBS/ELFO S/FORO NERO	
34	9161.046	MOLLA X RASATORE GRUPPO	
35	149261350	TRAMOGGIA X GRUPPO CAFFE' SMART1 NERA	
36	9161.374.050	PIASTRA FISSAG.TRAMOGG.GRUPPO SMART NERA	
37	9161.378	MOLLA TRAMOGGIA GRUPPO SMART	
37	11000197	PROTEZIONE X SCHIZZI GRUPPO CAFFE' SMART	

① ALTRI PAESI

POS	CODE	DESCRIPTION	NOTE
01	227470150	PIN BLACK ASS.FOR PERCOLATOR	
02	NM02.006	OR R5 TERMOIL	
03	142990150	BLACK COUNTER PISTON BREW UNIT SMART	
04	140329262	OR METRIC 0380-40 IN SILICONE	
05	9161.373.050	BLACK COUPLING PLATE BREW UNIT SMART	
06	9161.064.050	WATER INLET SLEEVE BLACK	
07	NM02.007	OR 2025 TERMOIL	
08	0301.R04.150	SPARE SLEEVE UNIT GREY	
09	9161.375.050	BLACK REAR PLATE FOR BREW UNIT SMART	
10	U109.027	SS.SCREW AUT.TCB 2,9X19 DIN 7981 C	
11	229452400	SAECO BREWING SYSTEM VALVE SMART ASSY	
12	149198859	SUPPORT FOR TEFLON TUBE BREW UNIT	
13	227532950	FRONT PLATE FOR BREW UNIT SMART	
14	U109.026	SS.SCREW AUT.TCB 3,5X19 DIN 7981 C	
15	U109.013	screw AUT.TCB 3,5X13 DIN 7981 C	
16	9161.066.050	ELBOW SHAFT FOR UNIT BLACK	
17	11001556	SPRING H=49 FOR COFFEE BREW UNIT SMART	
18	11009162	SHINE PERCOL.D=35,8 276HOL.W/SCREW M3x20	
19	U109.028	SCREW AUT.TCB 2,9X9,5 DIN 7981 C	
20	11001695	AS.CONTEN.CAFFE' GRUPPO SMART1 NEW NER	
21	9161.094.050	DRILLED BLACK BLOCK FOR UNIT	
22	227660950	BLACK PISTON ASSY.FOR BREW UNIT SMART1	
23	126773318	SPRING FOR PISTON BREW UNIT SMART	
24	9161.191	BUSH FOR PISTON NEUTRAL	
25	140329361	OR METRIC 0100-25 IN TERMOIL	
26	141600750	CONNECTING ROD FOR DISPENSER UNIT	
27	147990150	SCRAPER FOR BREW UNIT SMART	
28	129852821	TSP SCREW M3X14 UNI 7688 SS	
29	9161.167	PERCOLATOR D.35,8	
30	11002849	BLACK PISTON FOR BREW UNIT SMART1 ASSY.	
31	227680150	BLACK PISTON FOR BREW UNIT SMART1 ASSY.	
32	225802550	BREW UNIT WITH VALVE SMART	
33	225802650	BREW UNIT W/VALVE SMART/ELFO	
34	9161.046	SPRING FOR UNIT SCRAPER	
35	149261350	BLACK HOPPER BLOCKING PLATE UNIT SMART	
36	9161.374.050	BLACK HOPPER DOSER BREW UNIT SMART1	
37	11000197	PROTECTION FOR BREW UNIT SMART	

① OTHER COUNTRY

Saeco
INTERNATIONAL GROUP

GRUPPO CAFFE' SMART SBS S/FORO NERO

Rev. 04 - 14/09/07

TAVOLA 1/1