

**Saeco** SIN 024 X  
INTERNATIONAL GROUP

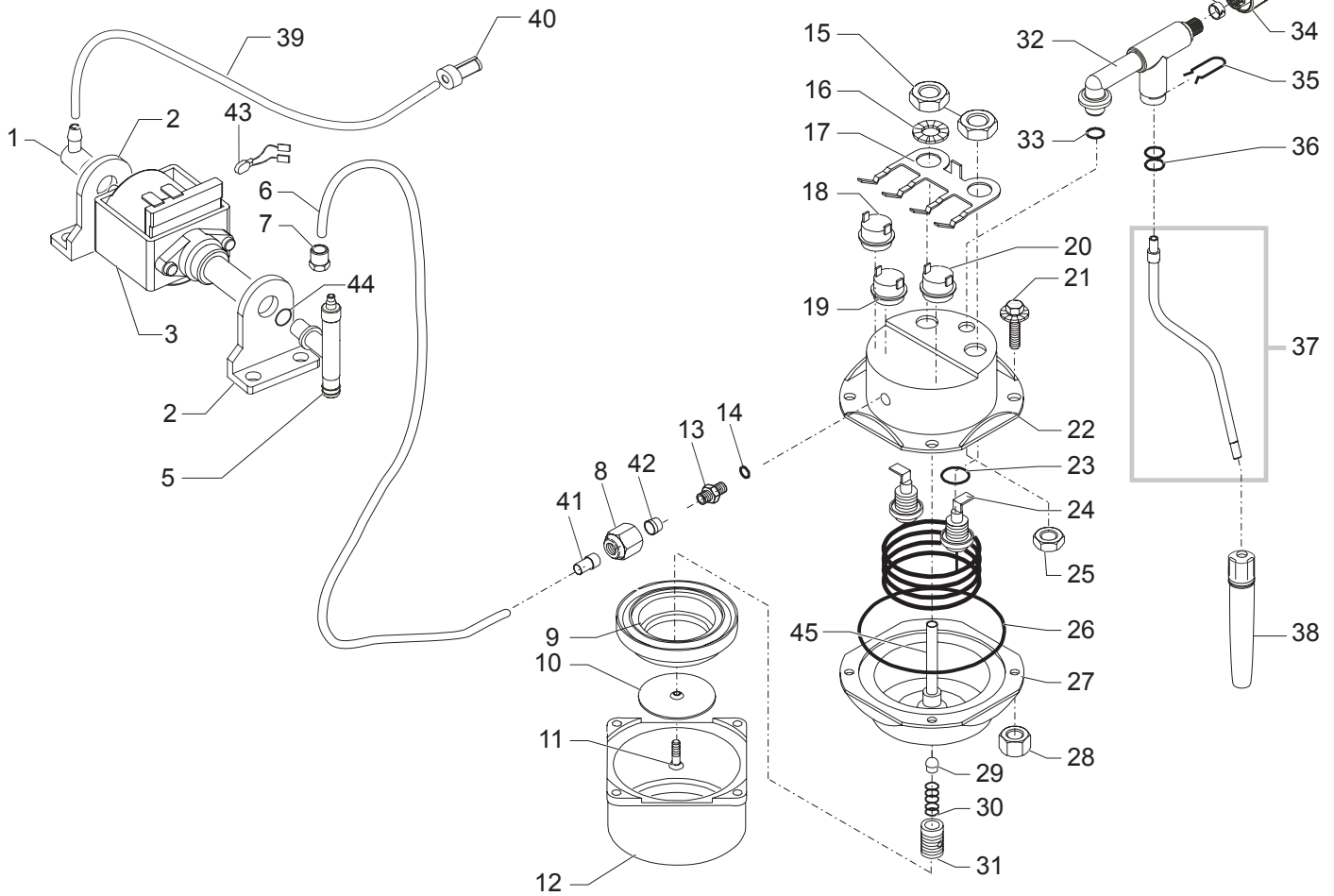


Cod. 710501309-409  
Cod. 1000070-81

POS	CODICE	DESCRIZIONE	NOTE
01	6315001010	TASTO ON-OFF ARGENTO	
02	6315001000	TASTO CAFFÈ ARGENTO	
03	WGA4315007000	SUPPORTO TASTI ARMONIA	
04	WGA5302001000	INTERRUTTORE UNIPOLARE	
05	129660802	VITE PANELVIT TCB 4X16 DIN 7505 ZINCATO	
06	WGADM1563	SPINA AUTOBLOCCANTE TRIPOLARE	
	NE03.013	INTERRUTTORE GENERALE 4X32A	USA
07	12000450	VITE TCBR 3,5X12 PLAST.ZN-N	
08	WGA4315001000	CORPO CARCASSA ARMONIA NERA	
09	6315001020	TASTO VAPORE ARGENTO	
10	226551650	PORTAFILTRO PRESS. MECC. AL. NERO OP/LUC VEDI COD. ESPLOSO E90005	
11	146680150	MISURINO NERO X CAFFÈ	
12	WGA4316007000	DISTANZIALE X PIASTRA MONTAGGIO ARMONIA	
	11001555	DISTANZIALE X PIAST. MONTAGGIO ARMONIA/UL	USA
13	WGA4316002000	PIASTRA DI MONTAGGIO ARMONIA NERA	
	11000528	PIASTRA DI MONTAGGIO ARMONIA/UL NERA	USA
14	175900400	INSERTO SUP. POLISTIR. X SCATOLA ARMONIA	
15	123160502	DADO M5 ALTO UNI 5587-68 ZINCATO	
16	WGA4315006000	CONTENITORE ACQUA ARMONIA	
17	WGA8315008000	ASS. CORPO CARCASSA C/PIEDINI ARMONIA	
18	WGAFG0245	PIEDINO	
19	282840285	ASS. COPERTURA CARCASSA ARMONIA NERO	
	11000792	ASS. COPERTURA CARCASSA ARMONIA NERO	USA
20	175900500	INSERTO INFER. POLIST. X SCATOLA ARMONIA	
21	13000101	SCATOLA LIT.SAECO ARMONIA/ARMONIA EASY	
22	WGA4316010000	GRIGLIA ARMONIA INOX	
23	WGA4316004000	VASCA RACC. ACQUA DI SCARICO ARMONIA	
24	WGA8316014000	ASS. FRONTAL. SAECO NERO SERIGR. ARMONIA	
	11000773	ASS. FRON. SAECO NER.SER. ARMONIA+SIMBOL.	USA
25	183911050	CAVO AL. SCHUKO 3X1 H05VV-F NERO L=1200MM	
	183930650	CAVO AL. CH 3X1 H05VV-F NERO L=1200MM	
	183921950	CAVO AL. USA SJT3 UL 16AWG NERO L=1200MM	
26	145501211	GALLEG. ROSSO X VASCA REC. ACQUA SMART	
27	WGA4316036000	LIBRETTO ISTRUZIONI SIN024X SAECO ARMONIA	
28	124653221	FILTRO X CIALDA F.D=31 H=20,2 P=2 C/GOL	
29	145849762	GUARNIZ. H=11,3 X PORTAF. PRES. MEC/CAL.IN	
30	175892500	INSERTO IN CARTONE X ACCESSORI ESP. PLUS	
31	WGA5316001000	SEGNALATORE LUMINOSO 218C60010T ROSSO	USA
	12000151	SEGNALATORE LUMINOSO 218C60010T ROSSO	USA
32	WGA5316002000	SEGNALATORE LUMINOSO VERDE	
	12000150	SEGNALATORE LUMINOSO 218C67030T VERDE	USA
33	WGA4316035000	CABLAGGIO ARMONIA	
	11000526	ASS. CABLAGGIO ARMONIA	USA
34	11000914	AS.CONNET.2POLI X SCALDATAZ.ARMONIA 120V	USA

POS	CODE	DESCRIPTION	NOTE
01	6315001010	KEY ON-OFF SILVER	
02	6315001000	KEY COFFEE SILVER	
03	WGA4315007000	BUTTONS SUPPORT	
04	WGA5302001000	UNIPOLAR SWITCH	
05	129660802	PANELVIT TCB SCREW4 X16 DIN 7505 Z	
06	WGADM1563	3 POLE SELF LOCKING PIN	
	NE03.013	CUP SOCKET EN 60320 C 13	USA
07	12000450	SCREW TCBR TORX 10 3,5X12 PLAST.ZN-N	
08	WGA4315001000	BLACK CASING ARMONIA	
09	6315001020	KEY STEAM SILVER	
10	226551650	PRESS.FILTERH.ALUM.BLACK	
	C997C8 "9LD"9-\$\$\$ @GHD5; 9	BLACK COFFEE MEASURE	
11	146680150	MISURINO NERO X CAFFÈ	
12	WGA4316007000	SPACER FOR MOUNTING PLATE ARMONIA	
	11001555	SPACER FOR MOUNTING PLATE ARMONIA/UL	USA
13	WGA4316002000	BLACK MOUNTING PLATE ARMONIA	
	11000528	MOUNTING PLATE ARMONIA/UL BLACK	USA
14	175900400	POLYST.UPPER INSERT FOR BOX ARMONIA	
15	123160502	NUT M5 HIGH UNI 5587-68 GALVANIZED	
16	WGA4315006000	WATER CONTAINER	
17	WGA8315008000	BLACK CASING ARMONIA ASSY.	
18	WGAFG0245	FOOT	
19	282840285	COVER ASS.ARMONIA BLACK/230V	
	11000792	BLACK/120V CASING COVER ARMONIA ASSY.	
20	175900500	POLYST.LOWER INSERT FOR BOX ARMONIA	
21	13000101	DISPLAY BOX SAECO ARMONIA/ARMONIA EASY	
22	WGA4316010000	SS GRATE FOR ARMONIA	
23	WGA4316004000	BLACK DRIP TRAY ARMONIA	
24	WGA8316014000	FRONT PANEL ARMONIA SILK/SCREEN ASSY.	
	11000773	FRONT PANEL ARMONIA ASS.SILK/SCREEN	USA
25	183911050	POWER CABLE SCHUKO BLACK L=1200	
	183930650	PO.CABL.CH 3X1 H05VV-F L=1200	
	183921950	POWER CABLE SJT3 USA BLACK UL L=1200	
26	145501211	RED FLOAT FOR DRIP TRAY SMART	
27	WGA4316036000	INSTRUCTIONS MANUAL SAECO ARMONIA	
28	124653221	POD FILTER F.D=31 MM H=20,2MM P=2 MM	
29	145849762	PRES.FILTER HOLDER SS.BOILER H=11,3	
30	175892500	CARDBOARD INSERT ACCESSORIES ESPR.PLUS	
31	WGA5316001000	RED LUMINOUS SIGNALER	
	12000151	RED LAMP 218C60010T	USA
32	WGA5316002000	GREEN LUMINOUS SIGNALER	
	12000150	GREEN LAMP 218C67030T	USA
33	WGA4316035000	WIRING HARNESS ARMONIA	
	11000526	HARNESS ASSMBLY ARMONIA	USA
34	11000914	2POLES CONNECTOR ASSY.ARMONIA 120V	USA

**Saeco** SIN 024 X  
INTERNATIONAL GROUP



**Saeco** INTERNATIONAL GROUP  
SIN 024 X

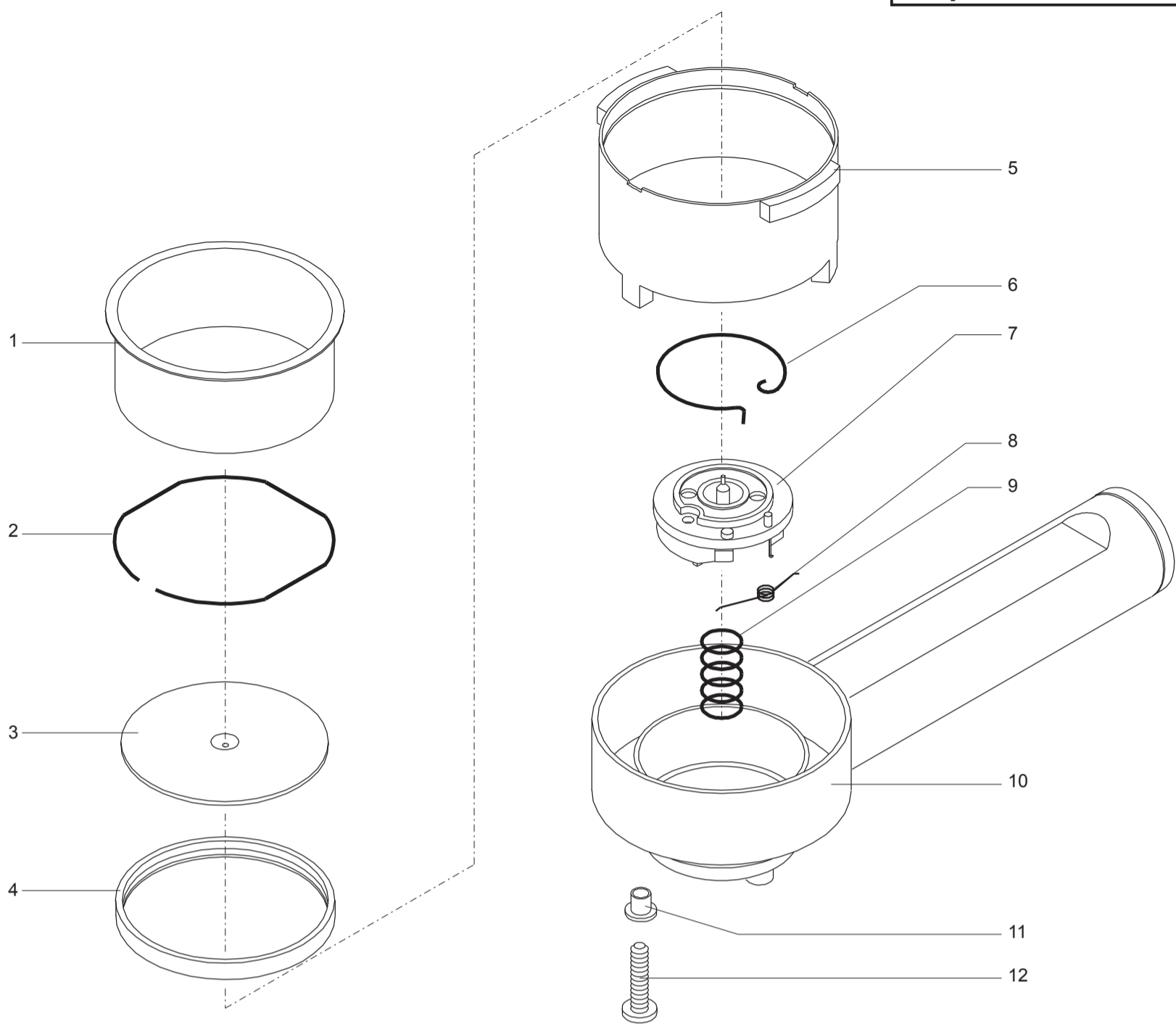


Cod. 710501309-409  
Cod. 1000070-81

POS	CODICE	DESCRIZIONE	NOTE
01	147920150	RACCORDO INGRESSO POMPA A 90°	
02	WGADY0003	SUPPORTO POMPA ULKA	
03	9070.035.00A	POMPA ULKA EP5	230V 50HZ
	12000142	POMPA ULKA EAP5/S	120V-60HZ
04	120460204	ATTACCO RAPIDO D=10,6 H=5 SP=1	
05	WGAEF0062/01/A	ASS. VALVOLA DI SICUREZZA ARMONIA	IN MATASSA
06	149400100	TUBO TEFLON 4X6	
07	WGAB0053	DADO X PIASTRA DI MONTAGGIO ARMONIA	
08	123460120	DADO OTT. 1/8" GAS X BOCCOLA OGIVA 6	
09	145841500	GUARNIZIONE PORTAFILTRO	
10	123741421	DOCCIA DE=48,8 X CALDAIA INOX JACOBS	
11	129854021	VITE TSP M4X8 UNI 7688 INOX	
12	220290200	ASS. ANELLO BLOCC. PORTAFILTRO BURATT.	
13	127960903	RACCORDO DIRITTO X CALD. INOX OTT/NIK.	
14	140320762	OR 108 SILICONE	
15	123452000	DADO M12X1,25 H=4,5	
16	128311204	ROSETTA UNI 8842 A12 BRUNITA	
17	126836321	MOLLA FERMA 3TERM. SIMBOLO/TERRA ACC	
18	189425100	TERMOSTATO 127° 1NT-01L-0499	
19	189428200	TERMOSTATO 175° 1NT-08L-3794	
20	189422000	TERMOSTATO 95° 1NT-01L-0036	
21	WGADI6921-5X30Z	VITE M 5X30 ZINCATA	
22	122902121	CORPO SUP.CALD. INOX M8 C/SQUAD. S/VAP.	
23	NM01.021	OR 2050 SILICONE	
24	188150158	RESISTENZA C/TERMINAL.NIKELATI	230V-900W
	188150151	RESISTENZA C/TERMINAL.NIKELATI	120V-900W
25	123390109	DADO 1/8 GAS H=6 CH=14 OTTONE/NIKEL	
26	140322962	OR 176 SILICONE	
27	222891400	CORPO INFER.CALD. INOX + MOZZO OTT/NIK	
28	123160502	DADO M5 ALTO UNI 5587-68 ZINCATO	
29	149450588	VALVOLA SILICONE 65SH X TENUTA CALDAIA	
30	126761518	MOLLA X VALVOLA TENUTA CALDAIA	
31	11001196	VITE PORTAV.X CALD. INOX JACOBS OT/NIK	
32	WGA8316010000	ASS. RUBIN. VAPORE X CALD. INOX ARMONIA	
33	140323062	OR 2043 SILICONE	
34	WGA4316006000	POMELLO VAPORE ARMONIA NERO	
35	126764018	MOLLA D=1 FERMA TUBO VAPORE JUNIOR	
36	140321861	OR 2025 EPDM	
37	11003290	AS. TUBO VAP. SPRUZ. D=2,0 AC. INOX LUC	
38	227431350	ASS. PANNARELLO G100 NERO	
39	149360200	TUBO SILICONE 5X8 70SR	IN MATASSA
40	144650100	FILTRO IN ASPIRAZIONE	
41	121800420	BOCCOLA OGIVA 6 (DE=8,4 DI=6,2 L=7)	
42	11008877	BOCCOL. INTER. TUBO (DE4XDI3X10) OTT/TEA	
43	289200100	ASS. TERMPR. TERMICO 120°C CAV.121/121	
44	140321961	OR 2031 IN TERMOIL	USA
45	129310920	TUBO INTERNO CALDAIA INOX IN OTT/TEA.	

POS	CODE	DESCRIPTION	NOTE
01	147920150	90°CONNECTOR PUMP INLET	
02	WGADY0003	PUMP SUPPORT ULKA	
03	9070.035.00A	ULKA PUMP EP5	230V 50HZ
	12000142	ULKA PUMP EAP5/S	120V-60HZ
04	120460204	RAPID CONNECTOR D=10,6 H=5 SP=1	
05	WGAEF0062/01/A	SAFETY VALVE ARMONIA	IN ROLL
06	149400100	TEFLON TUBE 4X6	
07	WGAB0053	NUT	
08	123460120	BRASS NUT 1/8" GAS FOR TEFLON TUBE D=6	
09	145841500	FILTERHOLD SEAL	
10	123741421	PERCOLATOR DE=48,8 SS BOILER JACOBS	
11	129854021	TSP SCREW M4X8 UNI 7688 SS	
12	220290200	FILTERHOLD RETAIN. RING	
13	127960903	NIKELED/BRASS STRAIGH.FITT.FOR SS BOIL.	
14	140320762	OR 108 IN SILICONE	
15	123452000	NUT M 12 X1,25 H= 4,5	
16	128311204	WASHER UNI 8842 A12 BURN.	
17	126836321	3 TH .FIX. SPRING EARTH SYMBOL. ST	
18	189425100	THERMOSTAT 127° 1NT-01L-0499	
19	189428200	THERMOSTAT 175° 1NT-08L-3794	
20	189422000	THERMOSTAT 95° 1NT-01L-0036	
21	WGADI6921-5X30Z	GALVANIZED SCREW M 5X30	
22	122902121	UPPER BOIL. CASING+BRACKETS W/O VAP.	
23	NM01.021	OR 2050 SILICONE	
24	188150158	HEAT ELEMENT + NICKEL TERMINAL	230V-900W
	188150151	HEAT ELEMENT + NICKEL TERMINAL	120V-900W
25	123390109	NUT 1/8 GAS H=6 CH=14 BRASS/NIKEL	
26	140322962	OR 176 IN SILICONE	
27	222891400	SS.LOWER BOILER CASING+HUB BRASS/NIK	
28	123160502	NUT M5 HIGH UNI 5587-68 GALVANIZED	
29	149450588	SILICONE VALVE 65SH BOILER SEALING	
30	126761518	SPRING FOR BOILER VALVE	
31	11001196	VIS DE VALVE CHAUDIERE	
32	WGA8316010000	STEAM FAUCET FOR SS.BOIL. ARMONIAAS.	
33	140323062	OR 2043 IN SILICONE	
34	WGA4316006000	STEAM KNOB BLACK	
35	126764018	SPRING D=1STEAM TUBE HOLDER JUN.	
36	140321861	OR 2025 IN EPDM	
37	11003290	S.STEEL STEAM TUBE ASSY.	
38	227431350	PANNARELLO ASS.G100 BLACK	
39	149360200	SILICONE TUBE 5X8 70SR	IN ROLL
40	144650100	SUCTION FILTER	
41	121800420	OGIVE BUSH 6 ( DE=8,4 DI=6,2 L=7	
42	11008877	TEA/BRASS INNER TUBE BUSH ( DE4XDI3X10)	
43	289200100	THERMAL. PROTECT.120°C CABLE.121/1	
44	140321961	OR 2031 IN TERMOIL	USA
45	129310920	TEA/BRASS INTERNAL TUBE FOR SS BOILER	

**Saeco** INTERNATIONAL GROUP  
SIN 024 X



**Saeco**® PORTAFILTRO PRESSURIZZATO MECCANICO (E)

Cod. 226551250-263-650  
Cod. 226551663-850-863

POS	CODICE	DESCRIZIONE	NOTE	POS	CODE	DESCRIPTION	NOTE
01	124650221	FILTRO 2TAZ.54,5X25 S/TAC.FORI D=48		01	124650221	2CUP FILT.54,5X25 W/O.NOT.HOLE D=48	
02	126835918	MOLLA FERMAFILTRO SOTTOCOPP.PIANETA		02	126835918	FILTER LOCK. SPRING FILTERH. PIANE	
	126836818	MOLLA FERMAFILTR.SOTTOCOP.STARBUCKS			126836818	FILTERH. SPRING STARBUCKS	
		<b>X C.A. PRODOTTE DAL 01/05/1999</b>				<b>FOR C.A. PRODUCED FROM 01/05/1999</b>	
03	142862959	CONVOGLIAT.FORO 1,6 PORTAFILTRO PRES/MEC		03	142862959	CONVEYOR HOLE 1,6 PRESS.FILTERHOLD.	
04	145847762	GUARNIZ.X CONVOGL.PORTAFIL.PRES/MEC		04	145847762	PRESS. FILTERHOLD CONVEYOR SEAL	
05	228771128	SOTCOP.PRES/MECC.ALET.STRET.AL.BRIL		05	228771128	PR.FILTERH. NARROW TONG. POL. ALU	
	17000097	SOTCOP.PRES/MECC.V2 AL.BRIL.			17000097	ALUM/POL.V2 PRES/MECC.FILTERHOLDER	
	11023167	SOTTOCOP.PRES/MEC.STARB.OT/CROM.NSF			11023167	NSF/CHROM.PRESS.FILTERHOLD.STARB.	
06	126835818	MOLLA X MANICO PORTAFIL.PRESSUR/MEC		06	126835818	SPRING FILTERHOLD. HAND. PRESS.	
07	229181800	AS.SUPPORTO SPILLO PORTAF.PRESS/MEC		07	229181800	PRESS. FILTERH. PIN SUPPORT	
08	126768418	MOLLA X CAMMA PORTAFILT.PRESSUR/MEC		08	126768418	CAM SPRING FILT.HOLD PRESS.	
09	126769918	MOLLA X SPIL.PORTAFIL.PRES/MEC.L=13		09	126769918	SPRING FILTH .NE.VAL.MEC.TAKEOFFL=	
10	146552650	MANICO NER.OP/LUC.PRES/MEC.SEN/SOTC		10	146552650	HAND.BLA. OP/GLO PRESS. W/O FILTER	
	146552663	MANICO GRI.OP/LUC.PRES/MEC.SEN/SOTC			146552663	HAND.GREY OP/GLO.PRESS. W/O FILTER	
11	11022223	DISTANZ.PORTAFILTR.PRES/MEC.OT/TEA		11	11022223	TEA/BRASS SPACER FOR PRESS.FILTERHOLDER	
12	129730721	VITE TCB PZ/SW 4X12 UNI 8112 INOX		12	129730721	TCB SCREW PZ/SW 4X12 UNI 8112 SS	
	226551250	PORTAFILT.PRESS.MECC.ALET.STRET.NER			226551250	PRESS. FILTERH.NARROW TONGUE BLA.	
	226551263	PORTAFILT.PRESS.MECC.ALET.STRET.GRI			226551263	PRESS. FILTERH.NARROW TONGUE GREY	
	226551650	PORTAFILT.PRESS.MECC.AL.NERO OP/LUC			226551650	PRESS. FILTERH. ALU BLACK OP/POLIS	
	226551663	PORTAFILT.PRESS.MECC.AL.GRIG.OP/LUC			226551663	PRESS. FILTERH. ALU.GREY OP/POLISH	
	226551850	PORTAFILT.PRESS.MECC.OT.NERO OP/LUC			226551850	PRESS. FILTERH. BRASS BLACK OP/POL	
	226551863	PORTAFILT.PRESS.MECC.OT.GRIG.OP/LUC			226551863	PRESS. FILTERH. BRASS GREY OP/POLI	