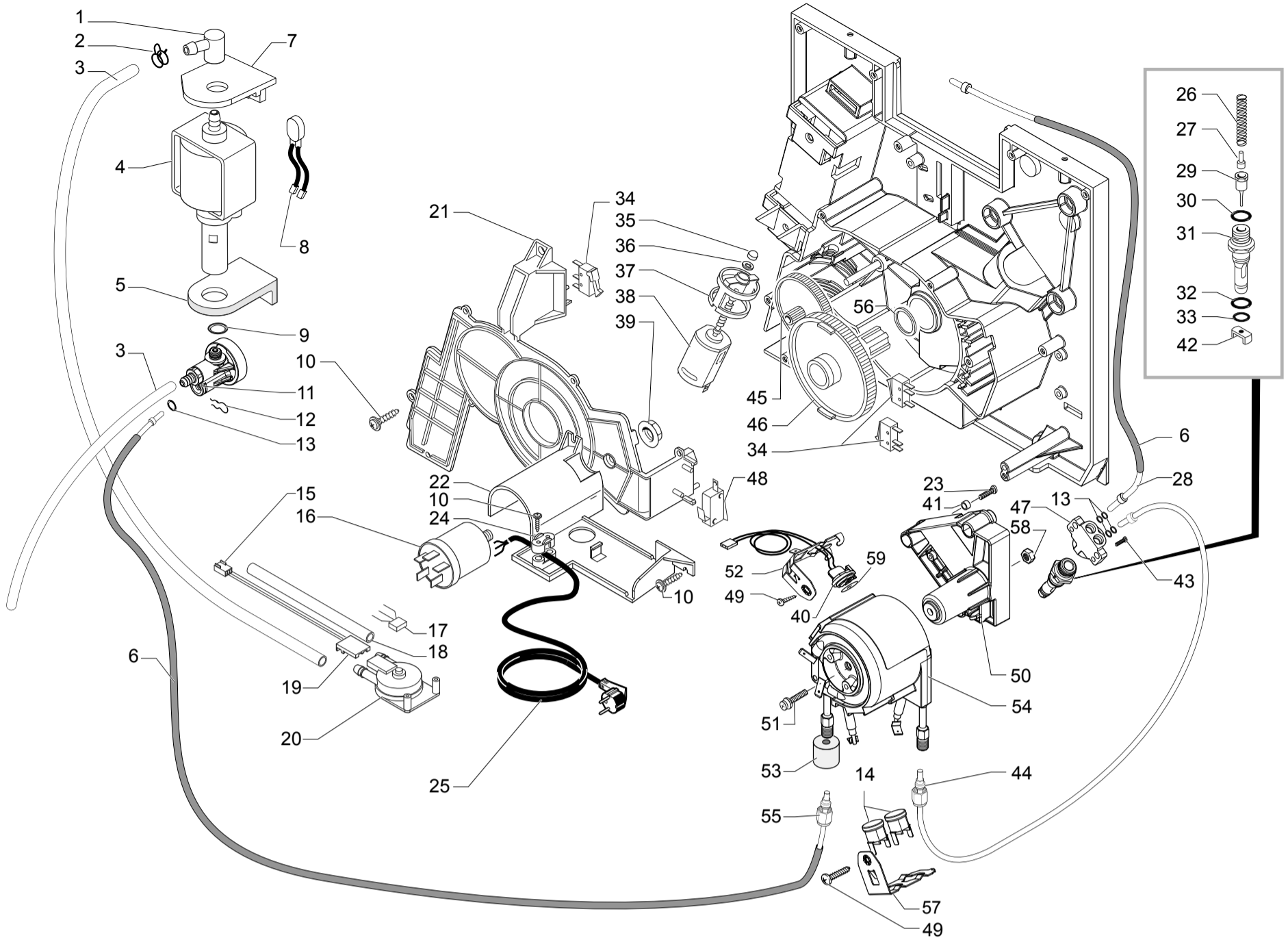


Saeco SUP 021 Y
INTERNATIONAL GROUP

Cod. 1000071-114-220-502

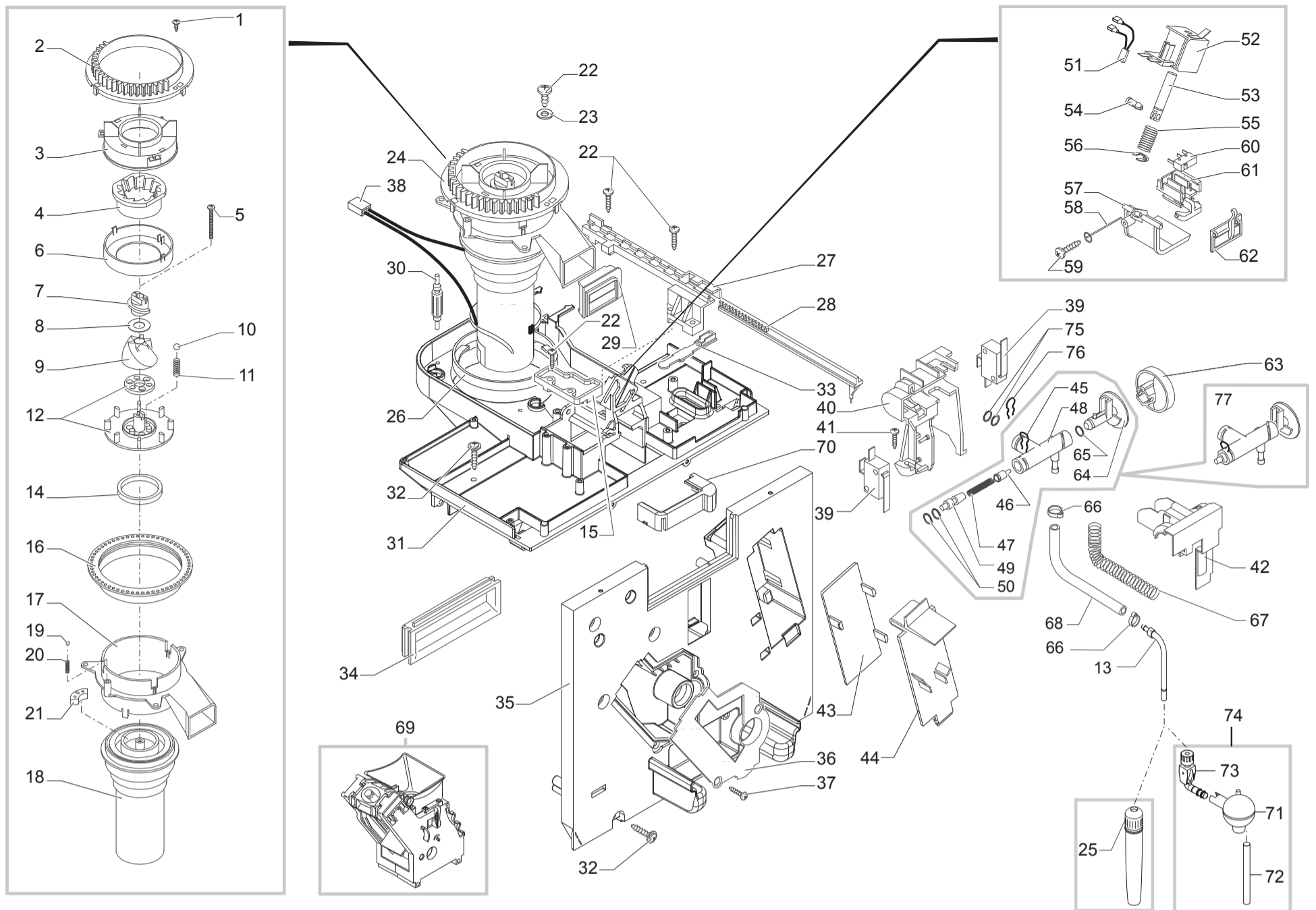
POS	CODE	DESCRIPTION	NOTE	POS	CODE	DESCRIPTION	NOTE
01	222762841	WATER CONTAINER LID SMART SILVER		45	11001021	MATT SILVER CASING SMART	
02	146580950	BLACK KNOB WATER CONTAINER LID SMAR		46	11005555	BLACK DUMP BOX SMART SILK/SCREEN	
03	144650800	WATER TANK FILTER		47	229630850	BLACK DRIP TRAY SMART	
04	149214359	BLACK CAP FOR FLOATING SPACE LAV.		48	181553158	TERMINAL BOARD SMART SUP021Y	230V
05	9161.112.150	LEVEL FLOAT GREY			181553155	TERMINAL BOARD SMART SUP021Y	120V
06	140328461	EPDM OR METRIC 0019-10		49	129661302	PANELVIT TCB SCREW 3X8 DIN 7505 ZNP	
07	140324362	OR METRIC 0060-30 IN SILICONE		50	222762741	GROUND COFF.CONTENT.LID SMART SILVER	
08	126764718	SPRING FOR WATER CONTAINER VALVE		51	281561300	TOUCH PANEL ELECTRON.BOARD AS.SMART	
09	147660562	GREY PISTON FOR WATER VALVE		52	149194450	BLACK SUPPORT ELECTRONIC CARD SMART	
10	222693580	WATER CONTAINER AS.SMART TRANS/GREY			149194418	BLACK SUPPORT ELECTRONIC CARD SMART	
	222693280	AS.WATER CONTAINER GREY/TRANS.SMART	WITHOUT PART. N°3 - 6	53	129533202	SCREW TSPTORX T10 3,5X9,5 D7982 NI	
11	12000381	SCREW TSP PZ2/TT M3X8 UNI 8109 ZINC		54	129912202	SCREW TCB TORX T10 3X12 UNI 9786 ZN	
12	149194650	SUPPORT WATER CONTAINER W/O LAMP HOUSING		55	11000704	FRONT PANEL SILVER SMART S/S.SYMBOLS	
	149194618	SUPPORT WATER CONTAINER W/O LAMP HOUSING		56	179990300	BAND FOR LIFTING L=1550 H=300 MM	
13	283551900	2 POLE LEVEL SENSOR AS.SMART	230V	57	129532521	SCREW TSP2,9X9,5 DIN 7982 SS	
	283551955	2 POLE LEVEL SENSOR AS.SMART	120V	58	149260850	HOPPER BLACK GROUND COF.DOSE SMART	
14	129910921	HI-LO TC SCREW 3X10 STEEL		59	145851950	GROUND COFFEE CONT.SEAL UPPER SMART	
15	145902250	INSERT FOR DECALCIFYING FILTER		60	11000518	SILVER COVER SMART S/SCREEN CAPPUCCINO	
16	175897200	UPPER TECHMATE INSERT FOR BOX SMART			11002003	SILVER COVER SMART/UL S/SCRE.CAPPUCCINO	
17	175897300	LOWER TECHMATE INSERT FOR BOX SMART		61	127390100	BRUSH FOR CLEANING	
18	147623150	SQUARE ADHESIVE FOOT 5023 BLACK		62	146680850	BLACK COFFEE MEASURE SMART	
19	225920241	HANGRIP SX SMART SILVER		63	15000100	INSTRUCT.MANUAL SAECO TYPE SUP021Y	7 LANGUAGES
20	129511803	SCREW TCB 2,9X6,4 DIN 7981 NICK			15000142	INSTRUCT.MANUAL SAECO TYPE SUP021Y	D/F/I
21	13000061	DISPLAY BOX SAECO INCANTO CAPPUCCINO		64	0301.961	WATER HARDNESS TEST	
22	9991.096	ADHESIVE FOOT 8X15X3,2		65	149501250	COFFE.DISPENSER TUBE BLACK SMART V2	
23	220380259	ROTATING RING SMART WITH 3 FEET	WITH PART. N°22	66	U109.030	SCREW AUT.TCB 2,9X16 DIN 7981 C	
24	222762641	BEAN COFF.CONTAIN.LID SMART SILVER		67	229186241	COFFEE DISPENSER HEAD SUPPORT SMART/EASY	
25	142813879	TRANS/BLU LID SAFETY AROME CAF.CONT.SMAR		68	11005044	SAECO KLUBER TRIBOSTAR SIL 2 TUBE 5GR.	
26	227721359	COF.DOSE ADJUS.GREY KNOB SMART S/SC		69	126772718	SPRING FOR DOOR P107	
27	U140.004	PANELVIT TCB 3,0X12 DIN 7505 B GAL		70	146313740	DISENGAGE LEVER GREY/SILVER DOOR SMART	
28	227721459	GRIND.ADJUSTM.GREY KNOB SMART S/SCR		71	129535721	SCREW TSP3,5X9,5 DIN 7982 SS	
29	0701.031.150	SEAL COVER GREY		72	145898300	GREY RETAINING INSERT COFFEE DISPENSER	
30	145842900	WATER CONTAIN.VALVE SEAL GACO DIM14		73	NF11.084	FOLK SPRING	
31	0701.014.150	SEAL CONTAINER GREY		74	9161.384	SPACER FOR CONNECTION STEAM TUBE	
32	NE03.028	MOLVENO SWITCH B1031C1181000		75	228982341	DOOR SMART SILVER	
33	129661204	SCREW PANELVIT TCB 3X16 DIN7505 BRU		76	222824741	SILVER COFFEE DISPENSER COVER SMART/EASY	
34	128310321	WASHER UNI 8842 A3 SS		77	147921750	DEG.CONNECTOR BLAC.STEAM TUBE SMART	
35	146000850	GEAR COFF. GRIND. ADJUSTMENT COMBI		78	222822641	COVER CONNec.STEAM TUB.SMART SILVER	
36	149202550	BLACK SWITCH GENERAL SUPPORT SMART		79	147370850	BLACK MOBILE PART COFFEE DISPENSER SMART	
37	145852360	BEAN COFFEE CONTENIT.SEAL SMART		80	229170450	SEALING SUPPORT AS.WATER DRIP TRAY	
38	146001950	COFFEE DOSE ADJ.GEAR BLACK SMART		81	145501211	RED FLOAT FOR DRIP TRAY SMART	
39	147755800	INT.CASING PROTECTION POWER CABLE		82	142713879	BEAN CONTAINER TRANSP/BLUE SMART	
40	148601650	GROMMET FOR POWER CABLE SMART		83	225741041	GRATE FOR SMART PAINTED SILVER	
41	140320461	OR METRICO 0080-20 IN TERMOIL					
42	226481441	DOOR HINGE KIT SMART SILVER					
43	129511903	SCREW TCB 2,9X6,4 DIN 7981 BZ NICK					
44	225920141	HANGRIP DX SMART SILVER					



Saeco SUP 021 Y
INTERNATIONAL GROUP

CE Cod. 1000071-114-220-502

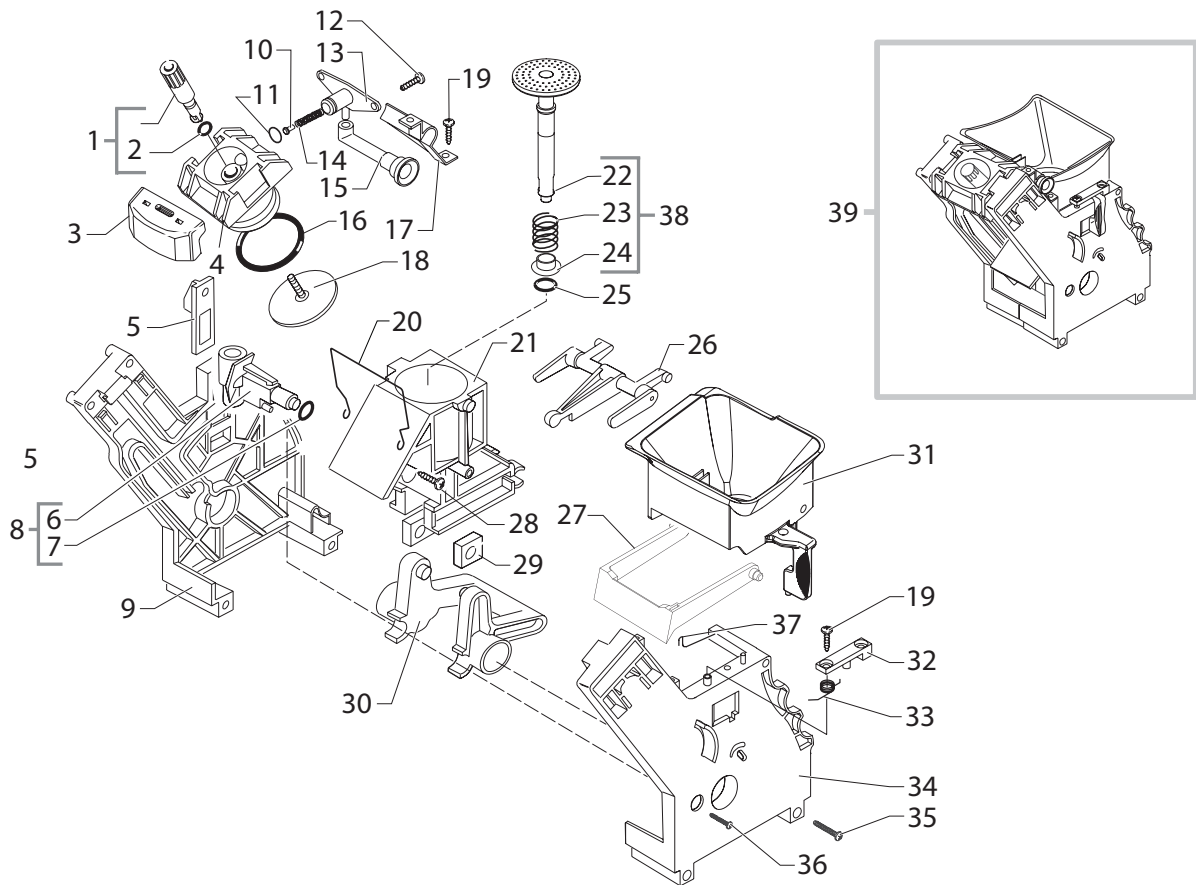
POS	CODE	DESCRIPTION	NOTE	POS	CODE	DESCRIPTION	NOTE
01	147920150	90° CONNECTOR PUMP INLET		37	9121.044	ANTIVIBRATION FOR MOTOR	
02	184320200	SPRING HOSE CLAMP D=9,5MM		38	11005214	MOTOR FOR RATIOMOTOR P124 ASSY.	
03	149360200	SILICONE TUBE 5X8 70SR	IN ROLL	39	123453602	FLANGE NUT M8 TOOTHED BASE GALV.	
04	12000140	ULKA PUMP EP5/S GW	230V-50HZ	40	288582300	SENSOR ELECT.BOARD WITH CONNECTOR ASSY.	
	12000130	ULKA PUMP EP5/S GW	100V-50/60HZ	41	9161.206	INSULATING SPACER FOR BOILER	
05	149185850	EATON PUMP SUPPORT MAGIC 4002012		42	11005099	NATURAL CURSOR V2 FOR BOILER P119	
06	149361200	BLACK SILICON TUBE 7,5X9,3	IN ROLL	43	129910103	HI -LO TC SCREW 3,5X15 RIF.910189	
07	149205710	PUMP SUPPORT HOLE 13,2 RED		44	227876800	CONNECTOR AS.TEFLON 2X4 L=235 MM	
08	0311.807	YELLOW HARNESS KLIXON JP 13	230V	45	9121.042	GEAR Z.12/90	
	289201000	THERMAL. PROTECT 120°C CABLE.125/3	120V	46	9121.069.150	GEAR Z.108 FOR MOUNTING PLATE M4000	
09	140321961	OR 2031 IN TERMOIL		47	147922700	BOILER SUPPORT CONNECTOR	
10	129670202	PANE. TCB SCREW 3,5X16 TESTA D=8 Z		48	186723800	MICROSWITCH SAIA X3M502K2KAM92AS	
11	229452100	COMPENSATION AND SAFETY VALVE ASSY		49	129573202	SCREW TCB PH/TT 4X8 UNI 8112 ZNP	
12	9011.144	FORK FOR TUBE D.4		50	149197700	SUPPORT FOR ALLUMINIUM BOILER SMART	
13	140328059	OR 2015 IN SILICONE PTFE/FDA		51	129932202	ROUND HEAD SCREW 10.9 M5X20 GALV	
14	189428200	THERMOSTAT 175° 1NT-08L-3794		52	126838217	SENSOR FIXING SPRING	
15	283551300	3POLE CONNECT.AS.TURBINE JP18 SMART	230V	53	147756562	PROTECTION FOR FOLK SPRING TUBE D=4	
16	184651100	ANTIDISTURB FILTER 0,47X2+1000Y2+0,5L		54	282058858	ALUM.BOILER AS.WITH RESISTANCE	230V
17		PARTICULAR NOT AVAILABLE	SEE PART. N°20		282058854	ALUM.BOILER AS.WITH RESISTANCE	120V
18	JS01.022	SILICONE TUBE 5X10 60 SHORE	IN ROLL	55	227874900	CONNECTOR AS.TEFLON 2X4 L=250 MM	
19	9161.018	FORK FOR WATERWHEEL		56	9161.132	MYLAR WASHER FOR RATIOMOTOR	
20	286473300	-M-VDE TURBINE WITH SENSOR KIT	WITH PART. N°17	57	126838117	2 THERMOSTATS FIXING SPRING	
21	9161.331.920	RATIOMOTOR COVER TRANSPARENT		58	123453902	SELF-LOCKI.NUT M5X0,8 DIN 980 CLA.8	
22	149194800	TURBINE SUPPORT SMART		59	145951600	ELECTRIC INSULATING DISK D=16	
23	129932502	SELF DRILLING SCREW 5X30 GALVANIZED					
24	148600600	CABLE CLAMP V0 MAGIC ESP COMBI UL					
25	183910450	POWER CABLE SCHUKO BLACK L=1500					
	183930250	POW.CABLE CH BLACK H05+3FAST.L=1500					
	183940250	BLACK POWER CABLE AUSTR.H05+FAST.L=1500					
	183980450	POWER CABL.JAPPON VCTF BLACK L=1590					
26	9011.132	SPRING FOR PIN			282133654	ALUM.BOILER WITH RESISTANCE SMART 100V	COMPLETE
27	11009013	TEA/BRASS PIN FOR PISTON L=10			282133658	ALUM.BOILER WITH RESISTANCE SMART 230V	COMPLETE
28	227874500	CONNECTOR AS.TEFLON 2X4 L=330 MM				WITH PART. POS. N° 13-14-26-27-28-29-30-31-32-33	
29	11009019	TEA/BRASS PISTON L=20,9 ASSY.				40-42-43-44-47-49-50-51-52-53-54-55-57-58-59	
30	140320459	OR METRICO 0080-20 SILICON.PTFE/FDA					
31	9011.100	PEG FOR VALVE IN PLASTIC					
32	NM01.035	OR ORM 0090-20 SILICONE					
33	NM01.057	OR ORM 0050-20 SILICONE					
34	NE05.038	MICROSWITCH					
35	9121.046	SINTERED BUSH FOR MOTOR					
36	148380200	WASHER BAKELIZZATE D=5,5					



Saeco SUP 021 Y
INTERNATIONAL GROUP

Cod. 1000071-114-220-502

POS	CODE	DESCRIPTION	NOTE	POS	CODE	DESCRIPTION	NOTE
01	129511803	SCREW TCB 2,9X6,4 DIN 7981 NICK		40	11005343	BLACK FAUCET SUPPORT V2 SMART	
02	148650250	SECTOR GEARGRIND ADJUSTMENT KNOB COMBI		41	129660902	PANELVIT TCB SCREW 3,5X12 D.7505 Z	
03	149186150	BLACK UPPER GRINDER SUPPORT MAGIC		42	147756400	PROTECTION FAUCET BODY WATER/STEAM	
04		PARTICULAR NOT AVAILABLE	SEE PART. N°9	43	9161.345.050	INT.COVERING BLACK PUMP SPACE	
05	129931002	TORX SCREW T10 TCB 3,5X40 SX ZNG		44	9161.332.050	EXT.COVERING BLACK PUMP SPACE	
06	142844550	UPPER GRINDER COVER COFFEE GRIND. MAGIC		45		PARTICULAR NOT AVAILABLE	SEE PART.N°77
07	147470763	INCREASE SCREW PIN COFFEE GRINDER MAGIC		46		PARTICULAR NOT AVAILABLE	SEE PART.N°77
08	U201.002	PLAIN WASHER 10X16X0,2DIN 988 GAL		47		PARTICULAR NOT AVAILABLE	SEE PART.N°77
09	226473500	KIT TECNA GRINDERS	WITH PART. N°4	48		PARTICULAR NOT AVAILABLE	SEE PART.N°77
10	128610521	STAIL.STEEL AISI 304 SPHERE D=5,5MM		49		PARTICULAR NOT AVAILABLE	SEE PART.N°77
11	126765517	STEEL SPRING SPHERE D=5,5 MOTOR MAGIC		50		PARTICULAR NOT AVAILABLE	SEE PART.N°77
12	149188750	CONICAL GRIND. SUPP. + RING MAGIC		51	289202200	THERMAL.PROTECTOR 100°C	
13	11001595	SS STEAM TUBE SMART ASSY.		52	283770658	ELECTROM.CABLE L=200 AS.SMART	230V 120V
14	140360200	FELT RING 40X34X5			283770755	V2 COFFEE DOSER COIL ASS.	
15	145895400	INSERT FOR DOSER SMART		53	9161.041	DOSER ELECTROMAGNET CORE	
16	146570950	RING NUT FOR GRINDING ADJUSTMENT MAGIC		54	9161.076.150	DOSER DOOR PIN GREY	
17	149194200	GRINDER MOTOR SUPPORT SMART		55	126764818	SPRING ELECTROM.BEAN DOSER MAGIC	
18	9141.075.00A 9141.075.00F	MOTORE X MC MIELE WERKS NORME MOTOR MC MIELE WERKS NORME	230V 120V	56	U701.003	SNAP RING 7 UNI 7434	
19	128610421	STAIL.STELL AISI 304 SPHERE D=3,2MM		57	9161.074.150	DOSER DOOR GREY	
20	126770117	NEW SPRING SPHERE D=3,2 MOTOR MAGIG		58	9161.048	SCRAPER ROD	
21	140230400	SHOCK ABS .CONICAL GRINDER SUPP.MAGIC		59	U140.004	PANELVIT TCB 3,0X12 DIN 7505 B GAL	
22	129660102	PANELVIT TCB SCREW 3,5X18 D.7505 Z		60	NE05.017	MICROSWITCH	
23	U207.004	PLAIN WASHER 4,3X16 UNI 6592 GAL		61	149185959	BEAN DOSER MICRO SUPORT MAGIC	
24	286883958 20000323	GENERAL MOTOR ASSY.SMART GENERAL MOTOR AS.G100 SMART	230V 120V	62	148700559	COFFEE DOSER DOSE ADJ. SEL. GR MAG	
25	227431250	BLACK/BLACK PANNARELLO PLASTIC ASSY.		63	227701304	STEAM KNOB ZAMAS CHROM.PLATED SMART	SEE PART.N°77
26	9141.052	COFFEEGRINDER REINFORCING RING		64		PARTICULAR NOT AVAILABLE	SEE PART.N°77
27	147572150	PLATE FIXING TOOTHED SLIDE SMART		65		PARTICULAR NOT AVAILABLE	
28	148740550	TOOTHED SLIDE FOR DOSE ADJUST SMART		66	NF11.052	OETIKER CLIP	
29	145851862	GROUND COFFEE OUTLET SEAL SMART		67	126772018	SPRING DI=7,5 FOR FABRIC FINISH TUB	
30	9991.103	ANTIVIBRATION FOR COFFEEGRINDER		68	JS01.019	SILIC. TUBE FABRIC FINISH 3X7 ROL	
31	147531500	GRINDER SUPPORT PLATE P107		69	11004183	BLACK BREW UNIT NEW P107	
	147531518	GRINDER SUPPORT PLATE P107/UL				SEE COD. EXP. E90052 NEXT PAGE	
32	129670202	PANE. TCB SCREW 3,5X16 TESTA D=8 Z				NOTE:FOR SINGLE PARTS OF OLD GRAY BREW UNIT:	
33	9161.122.150	DOSE ADJUSTMENT LEVER GREY CLASSIC				SEE EXP.CODE E90029 LAST PAGE	
34	145895350	BLACK INSERT FOR MOUNT.PLATE SMART		70	145852560	GROUND COFFEE CONT.SEAL LOWER SMART	
35	227533000	ASSEMBLY BOILER SUPPORT PLATE SMART		71	222520550	SPHERICAL CAPPUCCINATORE ASS.BLACK	
36	9161.333.050	BOILER BLACK COVER		72	149360400	SILCONE TUBE 3,5X6	IN ROLL
37	129535721	SCREW TSP3,5X9,5 DIN 7982 SS		73	227910650	90 DEG CONN. (FIXED) CAPPUCCINAT.BLACK	
38	283544900	2POLES CONN.AS.COF.GRIN.JP1 33MH CA	230V	74	11001977	BLACK GEN. SPHERICAL CAPPUCCINATORE AS.	
	283544955	2POLES CONN.AS.COF.GRIN.JP1 33MH CA	120V	75	140328059	OR 2015 IN SILICONE PTFE/FDA	
39	186724200	MICROSWITCH SAIA X3M502K2KAJ32AV		76	9011.144	FORK FOR TUBE D.4	
				77	20007014	KIT STEAM FAUCET SMART ASSY.	COMPLETE



Saeco SUP 021
INTERNATIONAL GROUP



Cod. 11004183

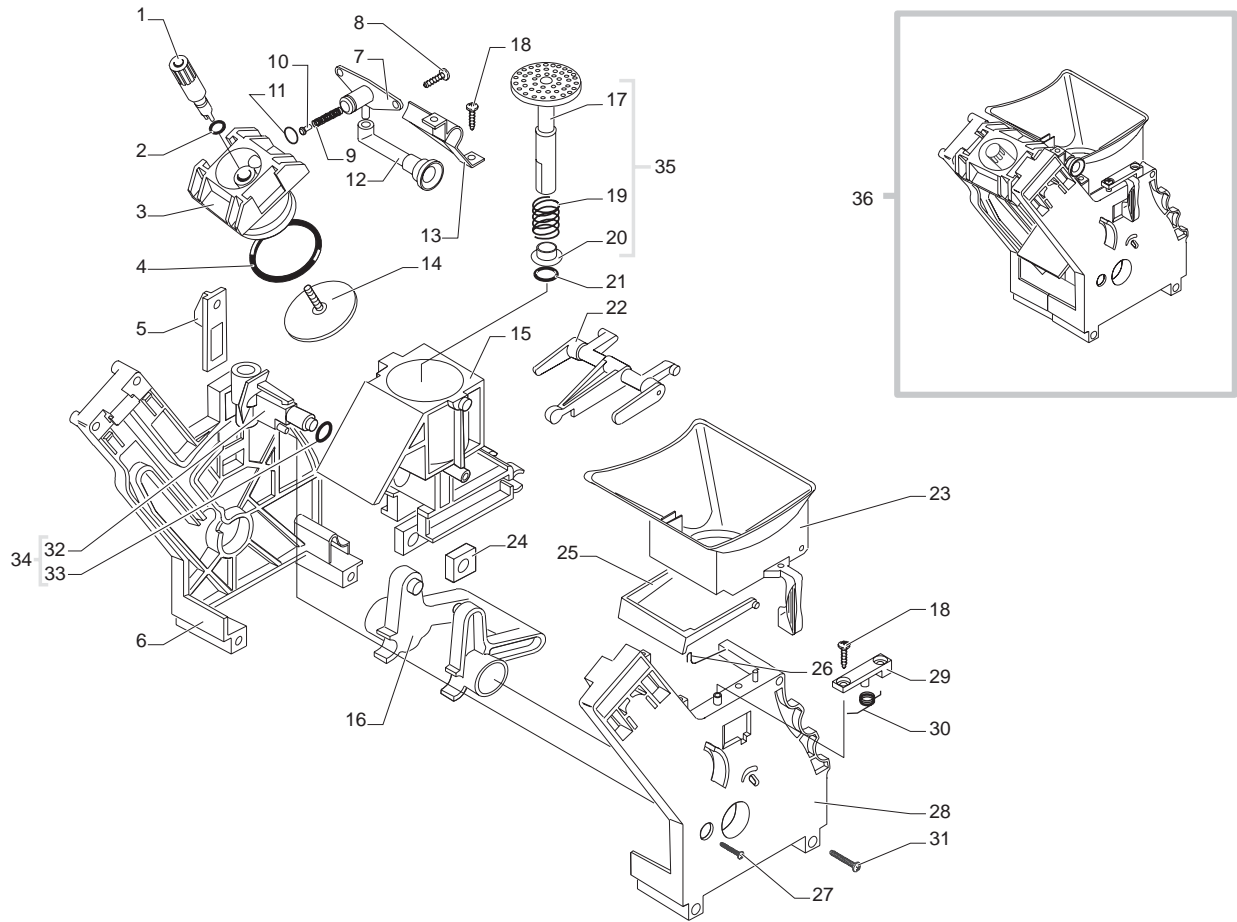
POS	CODICE	DESCRIZIONE	NOTE	POS	CODICE	DESCRIZIONE	NOTE
01	227470150	AS.PERNO X DOCCIA COMPLETO NERO		01	227470150	PIN BLACK ASS.FOR PERCOLATOR	
02	NM02.006	OR R5 TERMOIL		02	NM02.006	OR R5 TERMOIL	
03	11000197	PROTEZIONE X SCHIZZI GRUPPO CAFF. SMART		03	11000197	PROTECTION FOR BREW UNIT SMART	
04	11003428	CONTROPISTONE X GRUPPO CAF.SMART NERO		04	11003428	BLACK COUNTERPISTON FOR SMART COF.UNIT	
05	9161.373.050	PIASTRINA AGGANCIAMENTO GRUP.CAF.SMART NERO		05	9161.373.050	BLACK COUPLING PLATE BREW UNIT SMART	
06	9161.064.050	MANICOTTO ENTRATA ACQUA GRUP.CAFF.NERO		06	9161.064.050	BLACK WATER INLET SLEEVE BREW UNIT	
07	NM02.007	OR 2025 TERMOIL		07	NM02.007	OR 2025 TERMOIL	
08	20000440	GRUPPO RICAMBIO MANICOTTO NERO		08	20000440	BLACK SPARE SLEEVE UNIT	
09	9161.375.050	PIASTRA POSTERIORE GRUPPO SMART NERO		09	9161.375.050	BLACK REAR PLATE FOR BREW UNIT SMART	
10	149452700	VALVOLA CIECA X GRUPPO CAFFÈ NERO		10	149452700	BLACK BLIND VALVE FOR BREW UNIT	
11	140328761	OR METRICO 0060-15 IN TERMOIL		11	140328761	OR METRIC 0060-15 IN TERMOIL	
12	129910921	VITE TCB 3X10 PLAST.INOX		12	129910921	SCREW TCB TORX 10 3X10 SS	
13	9161.377.050	TAPPO VALVOLA GRUPPO SMART NERO		13	9161.377.050	BLACK VALVE CAP FOR BREW UNIT SMART	
14	126771918	MOLLA X CONTROPISTONE GRUPPO SMART		14	126771918	SPRING FOR CONTERPISTON UNIT SMART	
15	9161.372	RACCORDO EROG.GRUPPO CAFF.SMART NERO		15	9161.372	BLACK BREWING PIPE COFFEE GROUP SMART	
16	NM01.044	OR ORM 0320-40 IN SILICONE PTFE/FDA		16	NM01.044	OR ORM 0320-40 IN SILICONE PTFE/FDA	
17	9161.371.050	FERMO RACCORDO EROG.GRUP.SMART NERO		17	9161.371.050	BLACK BREWING PIPE LOCK BREW UNIT SMART	
18	9160.075	AS.DOCCIA DE=35,8 ELFO C/VITE E DADO		18	9160.075	PERCOLATOR DE=35,8 ELFO ASSY.	
19	12000895	VITE TSP 3X10 PLAST.INOX		19	12000895	SCREW TSP TORX 10 3X10 PLAST.SS	
20	11001556	MOLLA RASATORE H=49 X GRUPPO CAF.SMART		20	11001556	SPRING H=49 FOR COFFEE BREW UNIT SMART	
21	11003075	AS.CONT.CAF.C/BOCC.SALD.GRUP.P124 8GR.NER	CON PART. N°25	21	11003075	BLACK COFFEE CONTAINER BREW UNIT P124	WITH PART. N°25
22	11003077	AS.PISTONE INTEGRALE GRUP.P124 8GR.NERO		22	11003077	BLACK INTEGRAL PISTON UNIT P124 8GR.ASS	
23	9161.198	MOLLA PISTONE GRUPPO CAFFÈ M5000		23	9161.198	PISTON SPRING BREW UNIT M5000	
24	9161.191	BOCCOLA PISTONE GRUP.CAFF.M5000 NEUTRO		24	9161.191	NEUTRAL PISTON BUSH BREW UNIT M5000	
25	NM02.018	OR METRICO 0090-25 IN TERMOIL		25	NM02.018	OR ORM 0090-25 TERMOIL	
26	11003078	BIELLA X GRUPPO P124 8GR.NERO		26	11003078	BLACK CONNECTING ROD FOR UNIT P124 8GR.	
27	11004161	RASATORE X GRUPPO CAFFÈ NERO		27	11004161	BLACK SCRAPER FOR COFFEE UNIT	
28	129912521	VITE TCBR 3,5X14 PLAST.INOX		28	129912521	SCREW TCBR TORX 10 3,5X14 PLAST.SS	
29	9161.094.050	BLOCCETTO FORATO GRUP.CAFFÈ P/ANERO		29	9161.094.050	BLACK DRILLED BLOCK BREW UNIT	
30	9161.066.050	ALBERO A GOMITO X GRUPPO NERO		30	9161.066.050	ELBOW SHAFT FOR UNIT BLACK	
31	11003786	TRAMOGGIA GRUPPO CAFFÈ V2 SMART NERO		31	11003786	BLACK HOPPER DOSER BREW UNIT V2 SMART	
32	9161.374.050	PIASTRA FISS. TRAMOGG. GRUP.CAF.SMART NERO		32	9161.374.050	BLACK HOPPER BLOCKING PLATE UNIT SMART	
33	9161.378	MOLLA TRAMOGGIA GRUPPO CAFFÈ SMART		33	9161.378	SPRING HOPPER SMART BREW UNIT	
34	11005920	PIASTRA ANT.GRUPPO SMART S/F.NER.SER.NEW		34	11005920	BLACK FRONT PLATE BREW UNIT SMART S.SCR.	
35	12000897	VITE TCB 3,5X20 PLAST.INOX		35	12000897	SCREW TCB TORX 10 3,5X20 PLAST.SS	
36	12000550	VITE TCB 3X25 PLAST.INOX		36	12000550	SCREW TCB TORX 10 3X25 PLAST.SS	
37	9161.046	MOLLA X RASATORE GRUPPO		37	9161.046	SPRING FOR UNIT SCRAPER	
38	11023086	AS.GEN.PISTONE INTEGR.GRUP.CAF.8GR.NER.		38	11023086	BLK 8GR.BREW UNIT NTEGR.PISTON GEN.AS	
39	11004183	GRUPPO CAFFÈ P107/NEW NERO		39	11004183	BLACK BREW UNIT NEW P107	

Saeco
INTERNATIONAL GROUP

GRUPPO CAFFÈ P107 NEW NERO

Rev. 03 - 23/11/09

TAVOLA 1/1



Saeco GRUPPO CAFFE' X C.A. SUP 021



Cod. 9160.070.150
Cod. 9160.074.150

POS	CODICE	DESCRIZIONE	NOTE	POS	CODE	DESCRIPTION	NOTE
01	227470159	AS.PERNO X DOCCIA COMPLETO GRIGIO	①	01	227470159	PIN GREY ASS.FOR PERCOLATOR	①
02	227470150	AS.PERNO X DOCCIA COMPLETO NERO	ALTRI PAESI	02	227470150	PIN BLACK ASS.FOR PERCOLATOR	① OTHER COUNTRY
03	NM02.006	OR R5 TERMOIL		03	NM02.006	OR R5 TERMOIL	
04	9161.369.150	CONTROPISTONE X GRUPPO CAFF.SMART GRIG		04	9161.369.150	GREY COUNTERPISTON FOR SMART COFFEE UNIT	
05	NM01.044	OR ORM 0320-40 SILICONE PTFE/FDA		05	NM01.044	OR ORM 0320-40 SILICONE PTFE/FDA	
06	9161.373.150	PIASTRINA AGGANCIO GRUPPO SMART GRI		06	9161.373.150	COUPLING PLATE BREW UNIT SMART	
07	9161.375.150	PIASTRA POSTERIORE GRUPPO SMART GRIGIO		07	9161.375.150	GREY REAR PLATE FOR BREW UNIT SMART	
08	9161.377.150	TAPPO VALVOLA GRUPPO SMART GRIGIO		08	9161.377.150	VALVE CAP FOR BREW UNIT SMART	
09	129910921	VITE HI-LO TC 3X10 INOX		09	129910921	HI-LO TC SCREW 3X10 STEEL	
10	126771918	MOLLA X CONTROPISTONE GRUPPO SMART		10	126771918	SPRING FOR CONTERPISTON UNIT SMART	
11	149452700	VALVOLA CIECA X GRUPPO CAFFE'		11	149452700	BLIND VALVE FOR UNIT	
12	140328761	OR METRICO 0060-15 IN TERMOIL		12	140328761	OR METRIC 0060-15 IN TERMOIL	
13	9161.372	RACCORDO EROGAZ GRUPPO CAF.SMART NERO		13	9161.372	BLACK BREWING PIPE COFFEE GROUP SMART	
14	9161.371.150	FERMO RACCORDO EROG.GRUP.SMART GRIG		14	9161.371.150	BREWING PIPE LOCK BREW UNIT SMART	
15	223740300	AS.DOCCIA DE=35,8 CVITE E DADO	①	15	223740300	PERCOLATOR DE=35,8 ASSY.	① OTHER COUNTRY
16	11009162	DOCCIA D=35,8 276FORI CVITE M3x20 LUCID	ALTRI PAESI	16	11009162	SHINE PERCOL.D=35,8 276HOL.W/SCREW M3x20	① OTHER COUNTRY
17	9161.195.150	CONTENITORE COMPL.X GRUPPO GRIGIO	①	17	9161.195.150	COMPLETE CONTAINER FOR UNIT GREY	① OTHER COUNTRY
18	322003859	ALBERO A GOMITO GRIG.X GRUPPO MAGIC	ALTRI PAESI	18	322003859	ELBOW SHAFT GREY FOR MAGIC UNIT	① OTHER COUNTRY
19	9161.066.150	ALBERO A GOMITO X GRUPPO GRIGIO	ALTRI PAESI	19	9161.066.150	ELBOW SHAFT FOR UNIT GREY	① OTHER COUNTRY
20	9161.306.150	ASS.PISTONE INTEGRALE GRIGIO		20	9161.306.150	INTEGRAL PISTON ASS.GREY	
21	U109.028	VITE AUT.TCB 2,9X9,5 DIN 7981 C INOX		21	U109.028	SCREW AUT.TCB 2,9X9,5 DIN 7981 C	
22	9161.198	MOLLA X PISTONE		22	9161.198	SPRING FOR PISTON	
23	9161.191	BOCCOLA X PISTONE NEUTRO		23	9161.191	BUSH FOR PISTON NEUTRAL	
24	NM02.018	OR METRICO 0090-25 IN TERMOIL		24	NM02.018	OR ORM 0090-25 TERMOIL	
25	9161.065.150	BIELLA X GRUPPO GRIGIO		25	9161.065.150	CONNECTING ROD FOR UNIT GREY	
26	149261159	TRAMOGGIA X GRUPPO CAFFE' SMART/V2 GRIGIA		26	149261159	GREY HOPPER DOSER BREW UNIT SMART/V2	
27	9161.094.050	BLOCCETTO FORATO X GRUPPO NERO		27	9161.094.050	DRILLED BLACK BLOCK FOR UNIT	
28	322004059	RASATORE GRIGIO X GRUPPO MAGIC	①	28	322004059	SCRAPER FOR MAGIC BREW UNIT	① OTHER COUNTRY
29	9161.060.150	RASATORE X GRUPPO CAFFE' GRIGIO	ALTRI PAESI	29	9161.060.150	GREY SCRAPER FOR COFFEE UNIT	① OTHER COUNTRY
30	126834518	MOLLA X RASCHIATORE GRUPPO MAGIC	①	30	126834518	SPRING FOR SCRAPER UNIT MAGIC	① OTHER COUNTRY
31	9161.046	MOLLA X RASATORE GRUPPO	ALTRI PAESI	31	9161.046	SPRING FOR UNIT SCRAPER	① OTHER COUNTRY
32	U109.027	VITE AUT.TCB 2,9X19 DIN 7981 C INOX		32	U109.027	SS.SCREW AUT.TCB 2,9X19 DIN 7981 C	
33	9161.376.150	PIASTRA ANT.GRUPPO SMART S/FORO GRIGIA		33	9161.376.150	GREY FRONT PLATE FOR BREW UNIT SMART	
34	9161.374.150	PIASTRA FISSAG.TRAMOG.GRUPPO SMART GRIG		34	9161.374.150	GREY HOPPER BLOCKING PLATE UNIT SMART	
35	9161.378	MOLLA TRAMOGGIA GRUPPO SMART		35	9161.378	SPRING HOPPER SMART GROUP	
36	U109.026	VITE AUT.TCB 3,5X19 DIN 7981 C INOX		36	U109.026	SS.SCREW AUT.TCB 3,5X19 DIN 7981 C	
37	322003659	MANICOT.GRI.ENTRAT.ACQUA GRUP.MAGIC	①	37	322003659	WATER INLET SLEEVE GREY MAGIC UNIT	① OTHER COUNTRY
38	9161.064.150	MANICOTTO ENTRATAACQUA GRIGIO	ALTRI PAESI	38	9161.064.150	WATER INLET SLEEVE GREY	① OTHER COUNTRY
39	NM02.007	OR 2025 TERMOIL		39	NM02.007	OR 2025 TERMOIL	
40	0301.R04.150	GRUPPO RICAMBIO MANICOTTO GRIGIO		40	0301.R04.150	SPARE SLEEVE UNIT GREY	
41	9161.343.150	ASS.PISTONE INTEGRALE		41	9161.343.150	INTERGRAL PISTON ASS.	
42	9160.070.150	GRUPPO CAFFE' SMART S/FORO GRIGIO	①	42	9160.070.150	GREY BREW UNIT SMART	① OTHER COUNTRY
43	9160.074.150	GRUPPO CAFFE' SMART/ELFO S/FORO GRIGIO	ALTRI PAESI	43	9160.074.150	GREY BREW UNIT SMART/ELFO	① OTHER COUNTRY