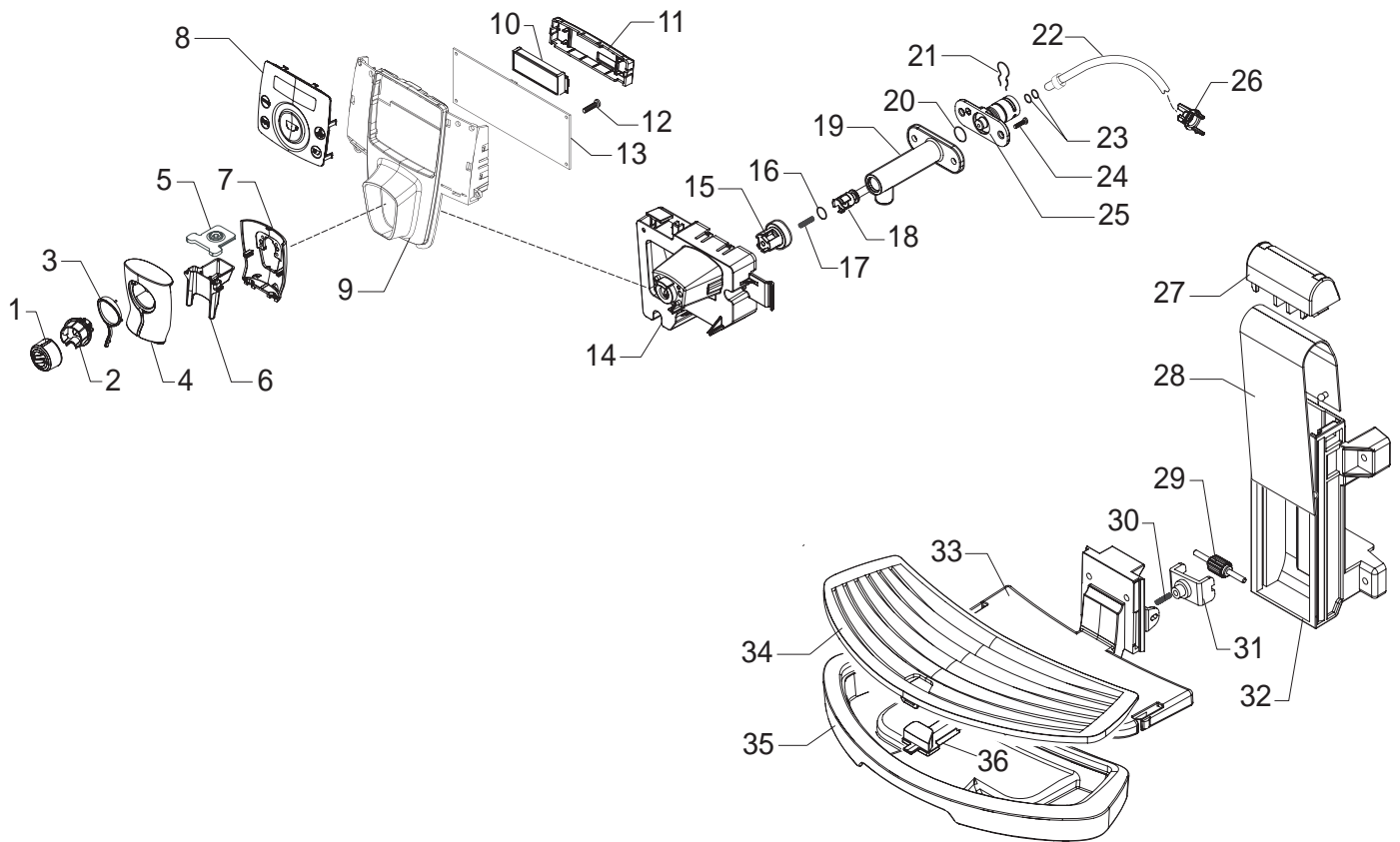


Saeco SUP032NR
INTERNATIONAL GROUP



Cod. 1000224-241-1552-1553-1554
Cod.10001555-1556-1557-1558-1559

POS	CODE	DESCRIPTION	NOTE	POS	CODE	DESCRIPTION	NOTE
01	11004087	SPECCH. WATER TANK OUTLET COVER P0053		39	9161.111	MAGNET FOR FLOAT SUPERAUTOM.	
02	11001668	NATURAL/GREY WATER CONTAINER LID P0053		40	11001340	BLACK DOOR PIN P0049	
03	11002017	TRANSPARENT WATER CONTAINER P0053 AS.		41	11008956	SS SPRING FOR LOCK DOOR G0053	
04	224640200	EXTERNAL FILTER FOR WATER CONTAINER AS	WITH PART. N°05	42	11004084	SPECCHIATO DOOR P0053	
05	140328461	EPDM OR METRIC 0190-10		43	11003785	BLACK GRINDER ADJUSTMENT KEY P0049	
06	11003672	SPRING FOR WATER CONTAINER VALVE P0049		44	15001363	MANUAL INSTRUCTI.V2 SAECO P0053/B D/I	
07	11003673	GREY WATER CONTAINER VALVE INSERT P0049			15001364	MANUAL INSTRUCTI.V2 SAECO P0053/B E/P	
08	11003671	TRANSP.VALVE FOR WATER CONTAINER P0049			15001365	MANUAL INSTRUCTI.V2 SAECO P0053/B GB/F	
09	11001298	BLACK LID FOR DUCKBILL VALVE			15001366	MANUAL INSTRUCTI.V2 SAECO P0053/B NL/PL	
10		PARTICULAR NOT AVAILABLE	SEE PART.N°59		15001652	MANUAL INSTRUCTIONS SUP032NR CHN	
11		PARTICULAR NOT AVAILABLE	SEE PART.N°59	45	21001404	ACC SAE BRITA UNI.WAT.FILTERX1 EUR-ASIA	
12		PARTICULAR NOT AVAILABLE	SEE PART.N°59		21001406	ACC SAE MAVEA UNI.WAT.FILTERX1 USA	
13	11004057	CHROMED WATER-STEAM KNOB P0053		46	127390100	BRUSH FOR CLEANING	
14	11005287	BLACK BUSH FOR STEAM KNOB		47	183930650	PO.CABL.CH BLACK 3X1 H05VV-F L=1200	
15	11004142	SILVER PLATE LOGO SAECO NEW P0049/P0053			183911050	POWER CABLE SCHUKO BLACK L=1200	
16	11011599	TITANIO COVER WITHOUT OPEN V2 P0053			183921950	POWER CABLE SJT3 USA BLACK UL L=1200	
17	11002096	TRANSP.LATE INFRAREDS PLATE P0053			183940650	BLACK POWER CABLE AUST.3X1 H05VV-F L=1200	
18	11004921	BLACK PLATE WITH LOGO TALEA P0053 RING			183980650	POWER CABL.JAPPON VCTF BLACK L=1200	
19	140321461	OR 2018 IN EPDM			11001985	BLACK POWER CABLE KOREA 3X1,25 L=1200	
20	11003821	BLACK CAP FOR CONNECTIONS P0049/P0053			17800019	BLACK POWER CABLE BRAZIL 10A/V2 L=1200	
21	11000223	BLACK WHEEL FOR CASING BOTTOM P124			11004246	BLACK POWER CABLE TAIWAN HVCTF L=1200	
22	11004058	SPECCHIATO LEFT SIDE CASING P0053			11004247	BLACK POWER CABLE RVV 3X1 CHINA L=1200	
23	11001624	STEAM TUBE WASHER P0049		48	11003154	BLACK REED SENSOR SUPPORT P0049	
24	NF11.084	FOLK SPRING		49	0301.961	WATER HARDNESS TEST	
25	11001360	PWR BOARD P0049/P0053	230V	50	146680850	BLACK COFFEE MEASURE SMART	
	11003968	PWR BOARD P0049/P0053	100V-120V	51	11005044	SAECO KLUBER TRIBOSTAR SIL 2 TUBE 5GR.	
26	11002030	TRANSPAR.BEAN COFF. CONTAIN.LID ASS.P0053		52	11005040	SPRING FOR ON-OFF BUTTON P0049	
27	11011509	BLACK POWER BOARD PROTECT.V2 P0053/B-C				UP TO S/N. 9007SA40256419	
28	11001670	NATUR/GREY GROUND COF. CONTAIN.LID P0053		53	11003889	2POLES CONNEX. SENSOR REED DOOR P0049	
29	11011354	TRANSPAR.BEAN CONTAINER V2 P0053		54	129913202	SCREW TCB TORX 10 3X8 PLAST.ZN-B	
30	11002016	MOUNTING PLATE ASSY.WITH PIN P0053		55	129661702	SCREW TCB TORX 3,5X30 PLAST.ZN-B	
	11009300	MOUNTING PLATE WITH PIN P0053 ASSY.		56	129914102	SCREW TSP TORX 10 3,5X12 PLAST.ZN-B	
31	12000280	CUP SOCKET EN 60320 C 13		57	11006567	LWR INSULATE SHEET PWR ELECT.BOARD P0053	(ONLY 120V)
32	11007060	GENERAL SWITCH FOR P124		58	11007234	UPP.INSULATE SHEET PWR ELECT.BOARD P0053	(ONLY 120V)
33	11004066	SPECCHIATO RIGHT SIDE CASING P0053		59	20006664	KIT SPARES FOR PACKAGING V4 P0053	
34	11004072	SPECCHIATO ON-OFF BUTTON INSERT P0049					
35	11004056	CHROMED ON-OFF SWITCH BUTTON P0049					
36	11004082	SPECCHIATO DRIP TRAY COFFEE UNIT P0053					
37	11003533	BLACK DUMP BOX P0049 W/OUT S.SCREEN ASSY.					
38	11001659	BLACK INSIDE COVER DOOR P0053					
38	11009285	BLACK INSIDE COVER DOOR P0053 UL					

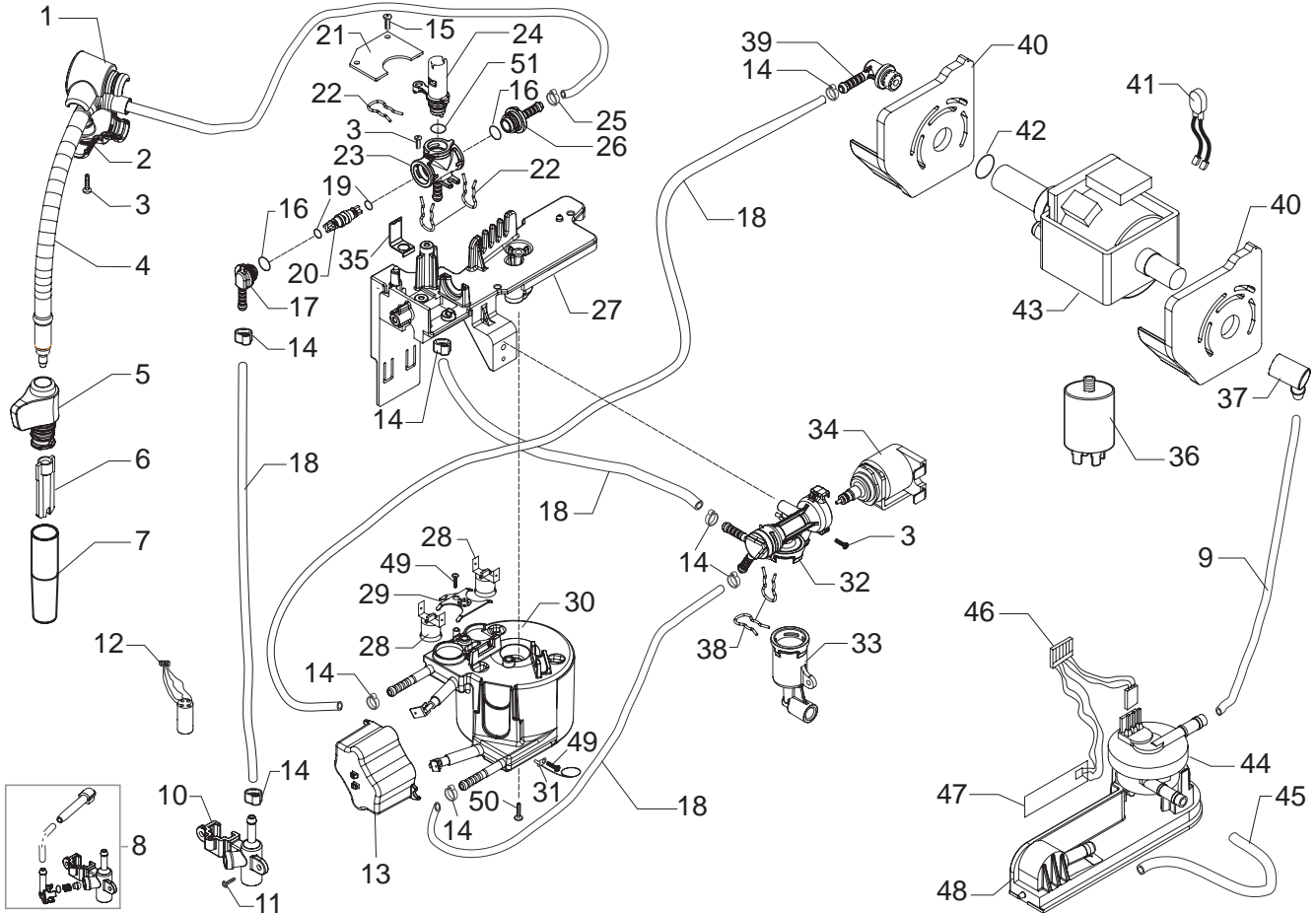


Saeco SUP032NR
INTERNATIONAL GROUP



Cod. 1000224-241-1552-1553-1554
Cod.10001555-1556-1557-1558-1559

POS	CODE	DESCRIPTION	NOTE	POS	CODE	DESCRIPTION	NOTE
01	11007378	CHR/PLAT.CREAM ADJUSTM.KNOB V2 P124 ASS.					
02	11007420	INTERNAL CONN.V2 FOR COFFEE DISPENSER					
03	11002110	AMBRA COFFEE DISPENSER LENS P0053					
04	11004208	CHROMED FRONT COFFEE DISPENSER COVER					
05	11002111	BLACK CAP COFFEE DISPEN.HEAD BODY P0053					
06	11002049	BLACK COFFEE DISPENSER BODY P0053					
07	11004119	CHROMED REAR COFFEE DISPENSER COVER					
08	11003222	TITANIO DISPLAY FRONT PLATE P0053/B ASSY					
09	11004099	TITANIO FRONT PANEL SUPPORT P0053/C					
10	12000164	DISPLAY VL 1351 P0053/B AMBRA					
11	11002044	DISPLAY SUPPORT P0053/B					
12	129913202	SCREW TCB TORX 10 3X8 PLAST.ZN-B					
13	20000651	KIT SPAR. CPU P0053/B+FAUCET BOARD 3SEN.	WITH PAR.N°21 TA.3				
		UP TO S/N 90006SA40284869					
	11004912	AS.CPU+SW V1 P0053/B					
		FROM S/N9006SA40284870 UP TO S/N9007SA40310479					
	11009227	CPU+SW AS.V2 P0053/B					
		FROM S/N. 9007SA40310480					
14	11002112	BLACK BROW SUPPORT P0053					
15	149198700	SUPPORT CREAM ADJUSTMENT SHAFT					
16	140326661	OR METRIC 0040-20 IN EPDM					
17	126772518	SPRING FOR CREAM ADJUSTMENT SHAFT					
18	140640200	CREAM ADJUSTMENT SHAFT					
19	11000290	BLACK COFFEE DISPENSER TUBE P124					
20	12000070	OR METRIC 0060-15 IN SILICONE					
21	9011.144	FORK FOR TUBE D.4					
22	11001766	TEFLON TUBE 2X4 L=125 MM ASSY					
23	140328059	OR 2015 IN SILICONE PTFE/FDA					
24	12000450	SCREW TORX T10 3,5X12 UNI9786 GALVANIZED					
25	11002130	FAST LOCK CONNECT. FOR EROGATOR P0053					
26	11001337	BLACK TUBE TEFLON INSERT P0049					
27	11001304	BLACK DRIP TRAY GUIDE LID P0049					
28	11004358	TITANIO DRIP TRAY SUPPORT PROTECT.P0049					
29	11001758	PIN WITH BLACK INSERT ASSY.P0049					
30	11001364	MOVE DRIP TRAY SPRING P0049					
31	11001335	BLACK PIN INSERT FOR DRIP TRAY P0049					
32	11002033	BLACK DRIP TRAY GUIDE P0053					
33	11004092	CARBONA DRIP TRAY SUPPORT P0053					
34	11010819	SPECCHIATO GRATE FOR DRIP TRAY V2 P0053					
35	11011001	CARBONA DRIP TRAY V2 P0053					
36	11004185	AMBRA FLOAT FOR DRIP TRAY P0049					



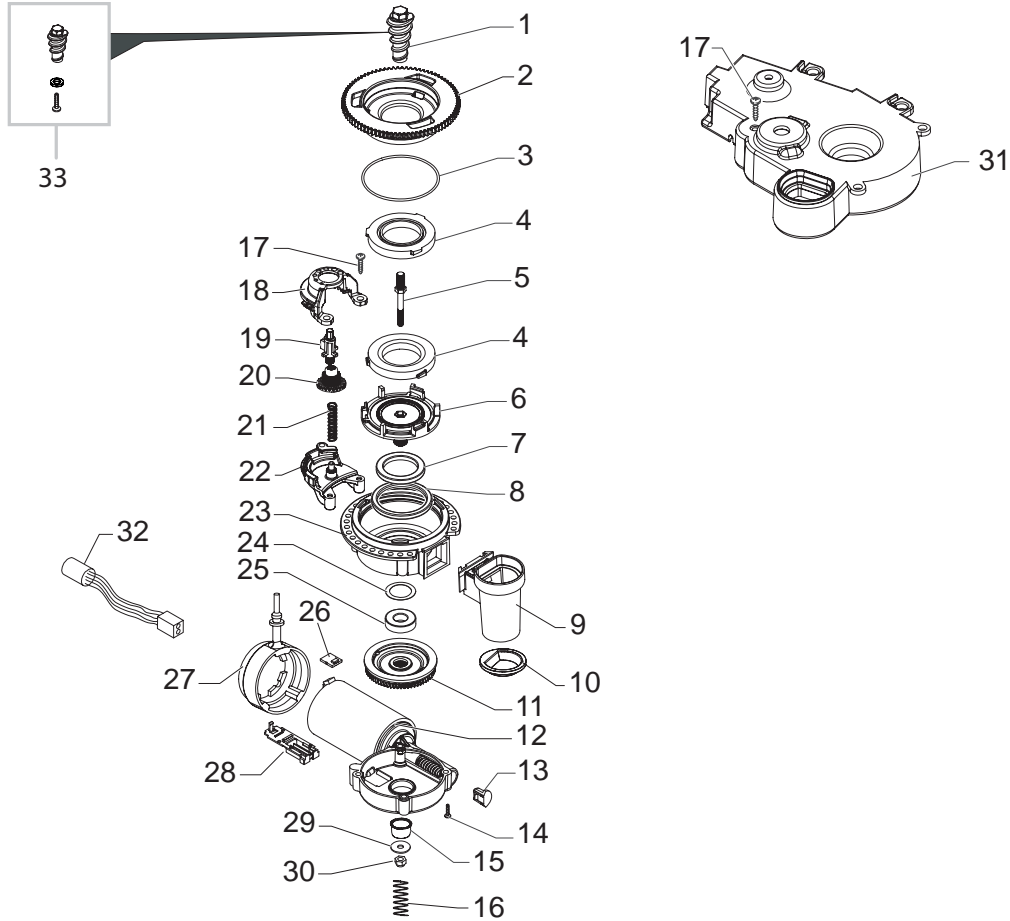
Saeco SUP032NR
INTERNATIONAL GROUP



Cod. 1000224-241-1552-1553-1554
Cod.10001555-1556-1557-1558-1559

POS	CODE	DESCRIPTION	NOTE
01	11004196	CHROMED UPPER STEAM TUBE COVER P0049	
02	11004197	CHROMED LOWER STEAM TUBE COVER P0049	
03	129913902	SCREW TCB 3X12 PLAST.ZN-B	
04	11022486	TF/CHROM.STEAM TUBE V2 P0049/P0053 ASSY.	
05	11001625	STEAM TUBE HANDGRIP P0049	
06	11001620	PANNARELLO INTERNAL TUBE P0049	
07	11011504	TF/CHROM.PANNARELLO COVER P0049	
08		PARTICULAR NOT AVAILABLE	SEE PART. N°10
09	149360200	UP TO S/N. 9007SA40333704 SILICONE TUBE 5X8 70SR	IN ROLL
10	11007421	BLACK CONNECTOR FOR P0054	
11	12000450	FROM S/N. 9007SA40333705 SCREW TORX T10 3,5X12 UNI9786 GALVANIZED	
12	11000465	4POLE CONNECTOR FOR P0054	
13	11005284	BLACKBOILER CONNECT. COVER P0049/P0053	
14	12000892	OETIKER CLAMP D=9,5 16700004	
15	129913202	SCREW TCB TORX 10 3X8 PLAST.ZN-B	
16	12000931	OR 108 IN EPDM FDA 70 SH	
17	11001544	FAUCET CONNECTOR P0049	
18	16000380	5X8,9 SILICONE TUBE	IN ROLL
19	12000890	OR 2012 IN EPDM FDA 70 SH	
20	11004134	BRASS FAUCET SHAFT P0049	
21	20000651	KIT SPARES CPU P0053/B+FAUCET BOARD 3SEN	WITH PAR.N°13 TA.2
	11007569	UP TO S/N 90006SA40284869 TAP ELECTRONIC CARD G0053 ASSY.	
		FROM S/N 9006SA40284870	
22	11001499	FORK SPRING FOR FAUCET P0049	
23	11004625	TEA/BRASS FAUCET CASING P0049	
24	11004135	PLAST/BRASS FAUCET SHAFT P0049 ASSY.	
25	NF11.052	OETIKER CLIP	
26	11001546	FAUCET STRAIGHT CONNECTOR P0049	
27	11001332	SUPPORT FOR BOILER-FAUCET-VALVE P0049	
28	189428600	THERMOSTAT 175° 1NT-08L-5125	
29	11001751	THERMOSTATES SPRING FOR BOILER	
30	11011341	ALUM.BOILER/V4 ASSY.	230V-1300W
	11011342	ALUM.BOILER/V4 ASSY.	120V-1300W
	11011343	ALUM.BOILER/V4 ASSY.	100V-1300W
31	190800100	TEMPERATURE SENSOR NTC UL L=280MM	
32	20000591	BLOWDOWN VALVE CASING P0049 ASSY.	
33	20000592	BLOWDOWN VALVE CONNECTOR P0049 ASSY.	
34	20000590	BLOWDOWN VALVE COIL P0049 ASSY.	230V
	20000680	BLOWDOWN VALVE COIL P0049 ASSY.	120V
	20000681	BLOWDOWN VALVE COIL P0049 ASSY.	100V
	20000920	BLOWDOWN VALVE COIL P0049	220V-60HZ ASSY
35	11002957	FAUCET SPRING P0049	

POS	CODE	DESCRIPTION	NOTE
36	12000005	ANTIDISTURB FILTER 10A FNC 1005474103P	230V
	12000007	ANTIDISTURB FILTER 16A FNC 1610474472P	100V-120V
37	147920150	90° CONNECTOR PUMP INLET	
38	11005096	FORK SPRING FOR VALVE P0049	
39	11001054	90°CONNECTOR PUMP OUTLET P0049/B	
40	11006296	BLACK PUMP SUPPORT P0049 ASSY.	
41	11005668	2POLES CONNECTOR PUMP P0049 UL	
42	140321961	OR 2031 IN TERMOIL	
43	12000140	ULKA PUMP EP5/S GW	230V-50HZ
	12000142	ULKA PUMP EAP5/S	120V-60HZ
	12000130	ULKA PUMP EP5/S GW	100V-50/60HZ
	12000182	ULKA PUMP EP5/S GW	220V-60HZ
44	12000781	TURBINE D=1.2 932-8521/90 ASSY.	
45	JS01.022	SILICONE TUBE 5X10 60 SHORE	IN ROLL
46	11005648	6 POLES CONN. LEVEL+FLOWMETER P0049 UL	100-120V
47	11000651	WATER LEVEL SENSOR BOARD P124	
48	11003670	BLACK TURBINE SUPPORT/V2 P0049	
49	129573202	SCREW TCB PH/TT 4X8 UNI 8112 ZNP	
50	129932502	GALVANIZDE SELF DRILLING SCREW 5X30	
51	140321861	OR 2025	
	11008698	TEA/BRASS FAUCET P0049-P0053 ASSY. WITH PART. N°16-17-19-20-22-23-24-26-51	
	11001543	BLOWDOWN VALVE P0049 230V ASSY.	
	11005604	BLOWDOWN VALVE P0049 120V ASSY.	
	11005751	BLOWDOWN VALVE P0049 100V ASSY.	
	11009021	BLOWDOWN VALVE P0049 220V-60HZ ASSY. WITH PART. N°32-33-34-38	
	11008027	ALUM.BOILER V2 P0053 230V ASSY.	COMPLETE
	11008028	ALUM.BOILER V2 P0053 120V ASSY.	COMPLETE
	11008029	ALUM.BOILER V2 P0053 100V ASSY.	COMPLETE
	11009131	ALUM.BOILER V2 P0053 220V-60HZ ASSY.	COMPLETE

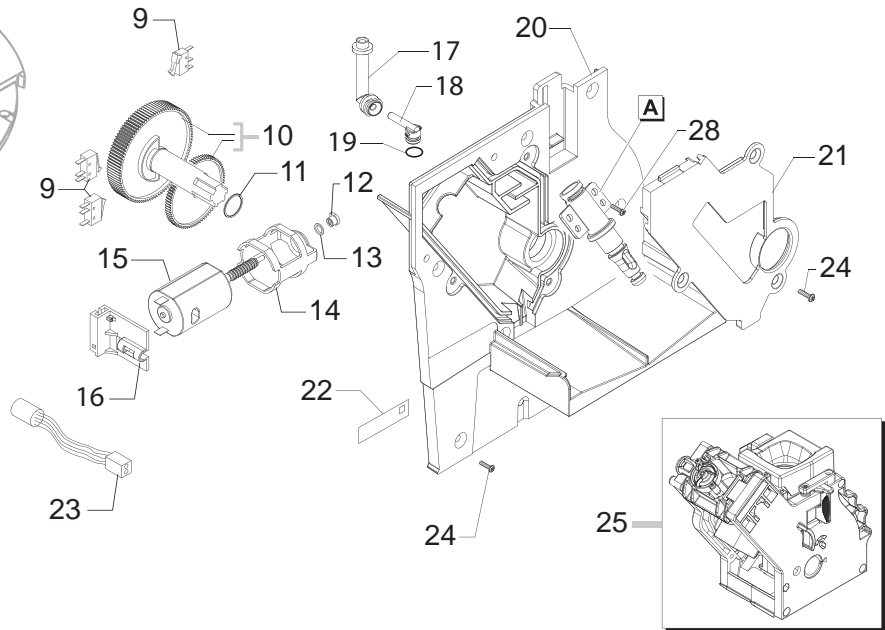
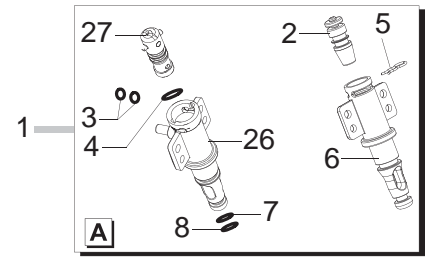
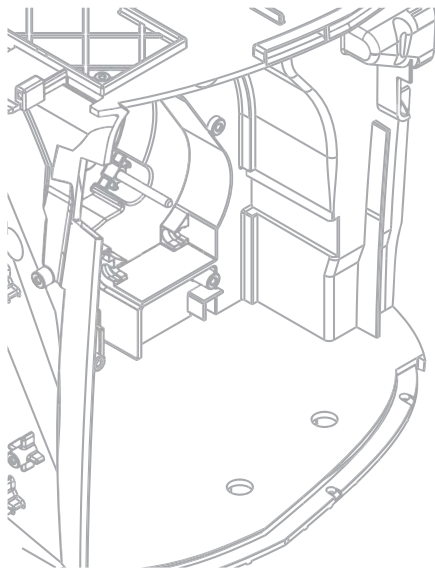


Saeco SUP032NR
INTERNATIONAL GROUP



Cod. 1000224-241-1552-1553-1554
Cod.10001555-1556-1557-1558-1559

POS	CODE	DESCRIPTION	NOTE	POS	CODE	DESCRIPTION	NOTE
01		PARTICULAR NOT AVAILABLE	SEE PART.N°33				
02	149198250	UPPER GRINDER SUPPORT COFFEEGRINDER					
03	140328960	NBR FDA OR METRIC 0530-15					
04	146520100	BAKED CLAY KLAGER GRINDER 48X28					
05	127473603	STEEL PIN M4-M6 FOR INCREMENT SCREW					
06	149198350	LOWER GRINDER SUPPORT COFFEEGRINDER					
07	123030300	AXIAL BEARING EKKO 342.35252					
08	140360500	FELT RING 45,4X39,4X4					
09	11012564	GROUND COFFEE OUTLET CONVEYOR V2 ASSY.					
10	145854462	GROUND COFFEE CONT.SEAL LOWER SMART1					
11	226000300	GEAR SX Z=38 FOR GRINDER MOTION ASSY.					
12	11000513	MOTOR COFFEEGRINDER/V3.1 DOMEL ASSY.	230V				
	11000511	MOTOR COFFEEGRINDER/V3.1 DOMEL ASSY.	120V				
	11000512	MOTOR COFFEEGRINDER/V3.1 DOMEL ASSY.	100V				
13	149214800	CAP FOR WORM SCREW MC/V3 CENTRING					
14	129661702	PANELVIT TCB SCREW 3,5X25 D.7505 ZN					
15	11002873	INSULATOR BUSH FOR GRINDER MOTOR P124					
16	11000597	COFFEE GRINDER SUPPORT SPRING P124					
17	129914002	SCREW TCB TORX 10 3,5X16 PLAST.ZN-B					
18	11002508	UPPER GEAR SUPPORT COFFEEGRINDER P124					
19	11003446	BLACK INSERT FOR COFFEE GRINDER P0049					
20	11003784	COFFEE GRINDING ADJUSTMENT GEAR P0049					
21	11002572	GRINDER REGULATION SPRING P124					
22	11002613	LOWER GEAR SUPPORT COFFEEGRINDER P124					
23	142905450	UPPER BODY WITH COFFE.GROUND OUTLET					
24	128381800	CRINKLE WASHER 21,8X15,8X0,2					
25	123030200	RADIAL BEARING 61900.2RS1					
26	181540900	ELECTRONIC BOARD WITH SENSOR HAL506					
27	11001367	BLACK COFFEE GRINDER SUPPORT P0049					
28	149199050	SENSOR SUPPORT FOR COFF.GRIND.MOTOR					
29	128381902	GALVAN.FLAT WASH.DI=4,3 DE=14 SP=1,5					
30	123453102	SELF LOCK NUT M4 DIN 982 HIGH GALV.					
31	11001826	SOUNDPR. COVER FOR COFGRINDER P0053					
32	11005658	5POLES CONNECTOR MC SENSORS P0049 UL					
33	20006889	KIT TEA ZAMA INCREASE SCREW GRINDER					
	11007416	GENERAL MOTOR MC V2 P0049 230V ASSY.					
	11007417	GENERAL MOTOR MC V2 P0049 120V ASSY.					
	11007418	GENERAL MOTOR MC V2 P0049 100V ASSY.					

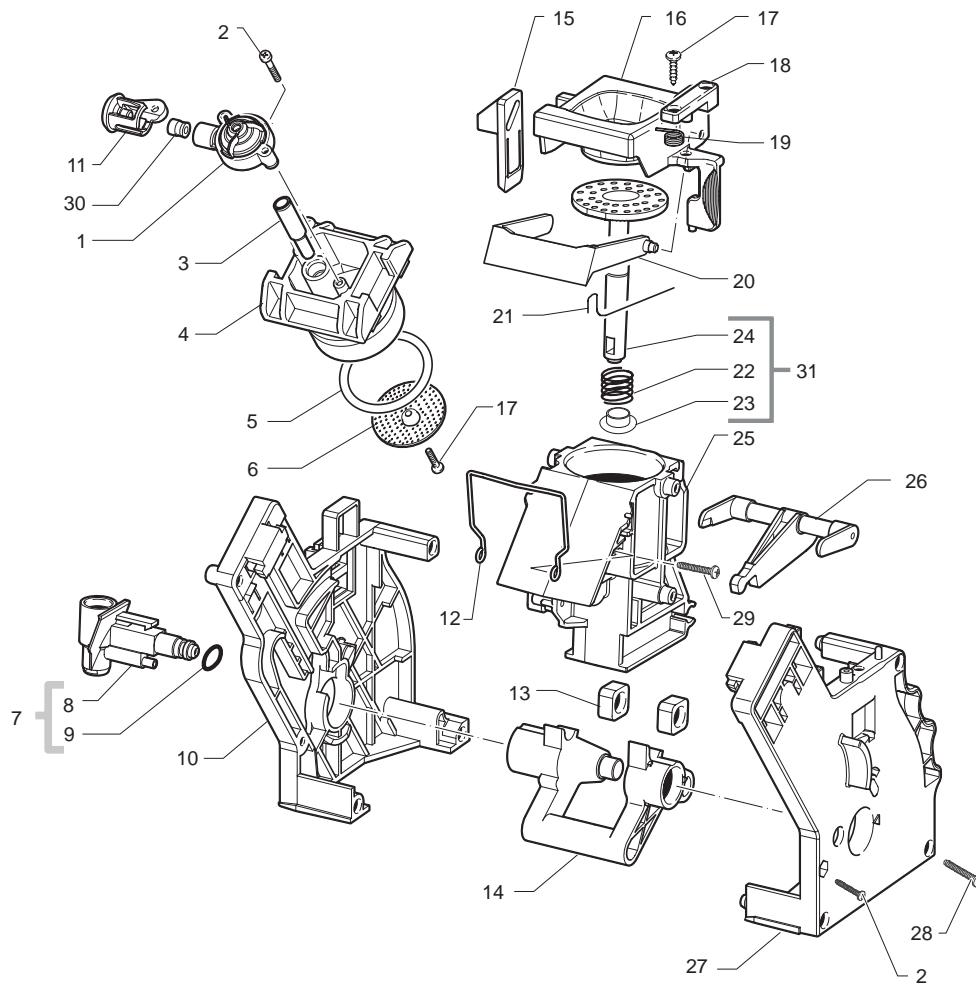


Saeco SUP032NR
INTERNATIONAL GROUP



Cod. 1000224-241-1552-1553-1554
Cod.10001555-1556-1557-1558-1559

POS	CODE	DESCRIPTION	NOTE	POS	CODE	DESCRIPTION	NOTE
01	11005113	PIN V2 FOR BOILER P049/B ASSY.					
02	11000692	NIKELED BRASS CAP FOR PIN BOILER P119 UP TO S/N. 9007SA40012839					
03	140328059	OR 2015 IN SILICONE PTFE/FDA					
04	140324459	OR METRICO 0060-20 SILICON.PTFE/FDA					
05	9011.144	FORK FOR TUBE D.4 UP TO S/N. 9007SA40012839					
06		PARTICULARE NOT AVAILABLE UP TO S/N. 9007SA40012839	SEE PART. N°01				
07	NM01.035	OR ORM 0090-20 SILICONE					
08	NM01.057	OR ORM 0050-20 SILICONE					
09	NE05.038	MICROSWITCH					
10	20000455	SPARES KIT GEARS FOR RATIOMOTOR P124 UP TO S/N 9007SA40310479					
	20000900	SPARES KIT GEARS FOR RATIOMOTOR V2 FROM S/N 9007SA40310480					
11	9161.132	MYLAR WASHER FOR RATIOMOTOR					
12	9121.046	SINTERED BUSH FOR MOTOR					
13	148380200	WASHER BAKELIZZATE D=5,5					
14	9121.044	ANTIVIBRATION FOR MOTOR					
15	11003037	MOTOR FOR RATIOMOTOR ASSY.					
16	11001331	BLACK MICROSW. SUPPORT DUMP BOX P0049					
17	11004086	VALVE DESCARGING WATER 90° CONNECTOR					
18	11003648	COVER DESCARGING WATER 90° CONNECTOR					
19	140325462	OR METRIC 0070-20 IN SILICONE					
20	11006337	BLACK COVER FOR MOUNTING PLATE P0049 AS.					
	11009287	BLACK COVER MOUNTING PLATE P0049 UL ASSY					
21	11001312	BLACK COVER FOR VAIN BOILER P0049					
	11009284	BLACK COVER FOR VAIN BOILER P0049 UL					
22	11000651	WATER LEVEL SENSOR BOARD P124					
23	11003661	SENSORE REED MK3-1A66-BV16451					
24	129914102	SCREW K 35X12 WN 1423 GALVANIZED					
25	11005921	BLACK BREW UNIT V2 8GR. P124/SBS SEE COD. EXP. E90060 NEXT PAGE					
26	11003801	PIN V2 FOR BOILER P119 FROM S/N. 9007SA40012840					
27	11003820	CAP V2 FOR PIN BOILER P119 FROM S/N. 9007SA40012840					
28	129914002	SCREW TCB TORX 10 3,5X16 PLAST.ZN-B					



Saeco SUP030-032
INTERNATIONAL GROUP



Cod. 11005921

POS	CODICE	DESCRIZIONE	NOTE
01	11010660	AS.VALVOLA SAECO BREWING SYSTEM STD	
02	12000550	VITE TCB 3X25 PLAST.INOX	
03	11009276	TUBO X CONTROPIST.GRUPPO S0053 NERO	
04	11001840	CONTROPISTONE GRUPPO P124 8GR. NERO	
05	NM01.044	OR ORM 0320-40 IN SILICONE PTFE/FDA	
06	9161.268	DOCCIA DE=35,8 ELFO	
07	20000440	GRUPPO RICAMBIO MANICOTTO NERO	
08	9161.064.050	MANICOTTO ENTRATAACQUA GRUP.CAFFE.NERO	
09	NM02.007	OR 2025 TERMOIL	
10	9161.375.050	PIASTRA POSTERIORE GRUPPO SMART NERO	
11	145899250	INSERTO CENTRAGGIO RAC.USCITA CAF.P124	
12	11001556	MOLLA RASATORE H=49 X GRUPPO CAF.SMART	
13	9161.094.050	BLOCCETTO FORATO GRUP.CAFFE' PA/NERO	
14	9161.066.050	ALBERO A GOMITO X GRUPPO NERO	
15	9161.373.050	PIASTRINA AGGANCIO GRUP.CAF.SMART NERO	
16	149261350	TRAMOGGIA GRUPPO CAFFE' SMART1 NERO	
17	12000895	VITE TSP 3X10 PLAST.INOX	
18	9161.374.050	PIASTRA FISS.TRAMOG.GRUP.CAF.SMART NERO	
19	9161.378	MOLLA TRAMOGGIA GRUPPO CAFFE' SMART	
20	11004161	RASATORE X GRUPPO CAFFE' NERO	
21	9161.046	MOLLA X RASATORE GRUPPO	
22	9161.198	MOLLA PISTONE GRUPPO CAFFE' M5000	
23	9161.191	BOCCOLA PISTONE GRUP.CAFF.M5000 NEUTRO	
24	11003077	AS.PISTONE INTEGRALE GRUP.P124 8GR.NERO	
25	11003075	AS.CONT.CAF.C/BOCC.SALD.GRUP.P124 8G.NER	
26	11003078	BIELLA X GRUPPO P124 8GR.NERO	
27	11005920	PIASTRA ANT.GRUPPO SMART S/F.NER.SER.NEW	
28	12000897	VITE TCB 3,5X20 PLAST.INOX	
29	129912521	VITE TCBR 3,5X14 PLAST.INOX	
30	145857962	GUARNIZ.INSERTO RACC.USCITA CAF.P124 NER	
31	11023086	AS.GEN.PISTONE INTEGR.GRUP.CAF.8GR.NER.	
	11005921	GRUPPO CAFFE' V2 P124/SBS 8GR.NERO	

POS	CODE	DESCRIPTION	NOTA
01	11010660	SAECO BREWING SYSTEM VALVE STD ASSY.	
02	12000550	SCREW TCB TORX 10 3X25 PLAST.SS	
03	11009276	TUBE FOR COUNTER PISTON BREW UNIT S0053	
04	11001840	BLACK COUNTER PISTON BREW UNIT 8GR.P124	
05	NM01.044	OR ORM 0320-40 IN SILICONE PTFE/FDA	
06	9161.268	PERCOLATOR DE=35,8 ELFO	
07	20000440	BLACK SPARE SLEEVE UNIT	
08	9161.064.050	BLACK WATER INLET SLEEVE BREW UNIT	
09	NM02.007	OR 2025 TERMOIL	
10	9161.375.050	BLACK REAR PLATE FOR BREW UNIT SMART	
11	145899250	CONNECTION COFFEE FOR P124 GROUP	
12	11001556	SPRING H=49 FOR COFFEE BREW UNIT SMART	
13	9161.094.050	BLACK DRILLED BLOCK BREW UNIT	
14	9161.066.050	ELBOW SHAFT FOR UNIT BLACK	
15	9161.373.050	BLACK COUPLING PLATE BREW UNIT SMART	
16	149261350	BLACK HOPPER DOSER BREW UNIT SMART1	
17	12000895	SCREW TSP TORX 10 3X10 PLAST.SS	
18	9161.374.050	BLACK HOPPER BLOCKING PLATE UNIT SMART	
19	9161.378	SPRING HOPPER SMART BREW UNIT	
20	11004161	BLACK SCRAPER FOR COFFEE UNIT	
21	9161.046	SPRING FOR UNIT SCRAPER	
22	9161.198	PISTON SPRING BREW UNIT M5000	
23	9161.191	NEUTRAL PISTON BUSH BREW UNIT M5000	
24	11003077	BLACK INTEGRAL PISTON UNIT P124 8GR.ASS	
25	11003075	BLACK COFFEE CONTAINER BREW UNIT P124	
26	11003078	BLACK CONNECTING ROD FOR UNIT P124 8GR.	
27	11005920	BLACK FRONT PLATE BREW UNIT SMART S.SCR.	
28	12000897	SCREW TCB TORX 10 3,5X20 PLAST.SS	
29	129912521	SCREW TCBR TORX 10 3,5X14 PLAST.SS	
30	145857962	BLACK INSERT SEAL P124	
31	11023086	BLK 8GR.BREW UNIT NTEGR.PISTON GEN.ASSY.	
	11005921	BLACK BREW UNIT 8GR.V2 P124/SBS	