

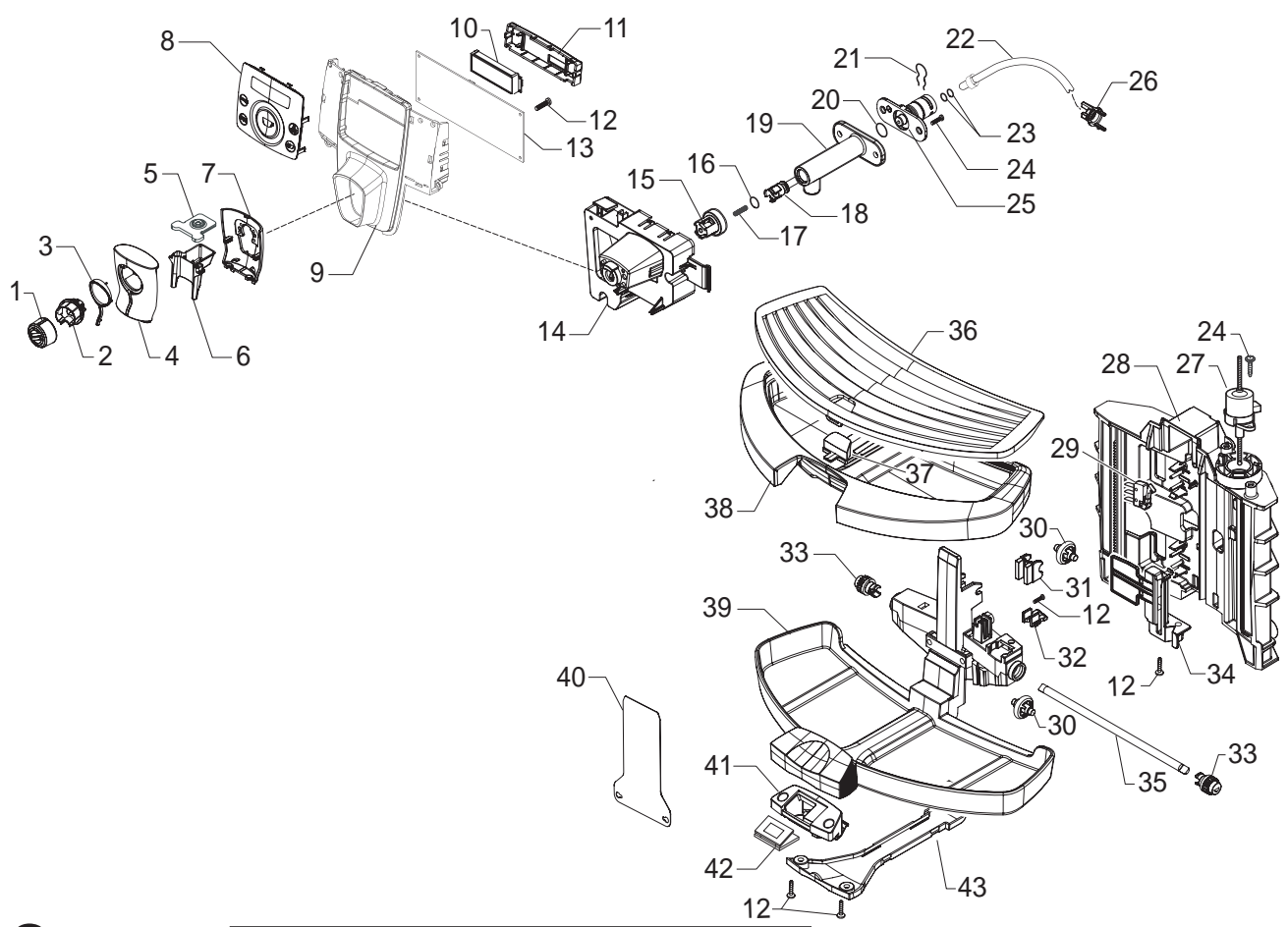
Saeco SUP032BR
INTERNATIONAL GROUP



Cod. 1000225-242-1550-1852-53
Cod. 10002676-2753

POS	CODE	DESCRIPTION	NOTE
01	11004088	TITANIO WATER TANK OUTLET COVER P0053	
	11007092	RED WATER TANK OUTLET COVER P0053	
	11007099	WHITE WATER TANK OUTLET COVER P0053	
	11010628	SILV/8002 WATER TANK OUTLET COVER P0053	
02	11001668	NATURAL/GREY WATER CONTAINER LID P0053	
03	11002017	TRANSPARENT WATER CONTAINER P0053 ASS.	
04	224640200	EXTERNAL FILTER FOR WATER CONTAINER AS.	WITH PART. N°05
05	140328461	EPDM OR METRIC 0190-10	
06	11003672	SPRING FOR WATER CONTAINER VALVE P0049	
07	11003673	GREY WATER CONTAINER VALVE INSERT P0049	
08	11003671	TRANSP.VALVE FOR WATER CONTAINER P0049	
09	11001298	BLACK LID FOR DUCKBILL VALVE	
10		PARTICULAR NOT AVAILABLE	SEE PART.N°62
11		PARTICULAR NOT AVAILABLE	SEE PART.N°62
12		PARTICULAR NOT AVAILABLE	SEE PART.N°62
13	11004057	CHROMED WATER-STEAM KNOB P0053	
14	129913202	SCREW TCB TORX 10 3X8 PLAST.ZN-B	
15	11004142	SILVER PLATE LOGO SAECO NEW P0049/P0053	
16	11011597	SPECCHIATO COVER WITH OPEN V2 P0053	
17	11002096	TRANSP.LATE INFRAREDS PLATE P0053	
18	11004922	BLACK PLATE WITH LOGO TALEA P053 RING PL	
19	140321461	OR 2018 IN EPDM	
20	11003821	BLACK CAP FOR CONNECTIONS P0049/P0053	
21	11000223	BLACK WHEEL FOR CASING BOTTOM P124	
22	11004059	TITANIO LEFT SIDE CASING P0053	
	11007090	RED LEFT SIDE CASING P0053	
	11007097	WHITE LEFT SIDE CASING P0053	
	11010626	SILVER/8002 LEFT SIDE CASING P0053	
23	11001624	STEAM TUBE WASHER P0049	
24	NF11.084	FOLK SPRING	
25	11001360	PWR BOARD P0049/P0053	230V
	11003968	PWR BOARD P0049/P0053	120V
26	11002030	TRANSPAR.BEAN COFF. CONTAIN.LID ASS.P0053	
	11011509	BLACK POWER BOARD PROTECT.V2 P0053/B-C	
27	11003782	BLACK POWER BOARD PROTECTION P0053/B-C	
28	11001670	NATUR/GREY GROUND COF. CONTAIN.LID P0053	
29	11011354	TRANSPAR.BEAN CONTAINER V2 P0053	
30	11002016	MOUNTING PLATE ASSY.WITH PIN P0053	
	11009300	MOUNTING PLATE WITH PIN P0053 ASSY.	
31	12000280	CUP SOCKET EN 60320 C 13	
32	11007060	GENERAL SWITCH FOR P124	

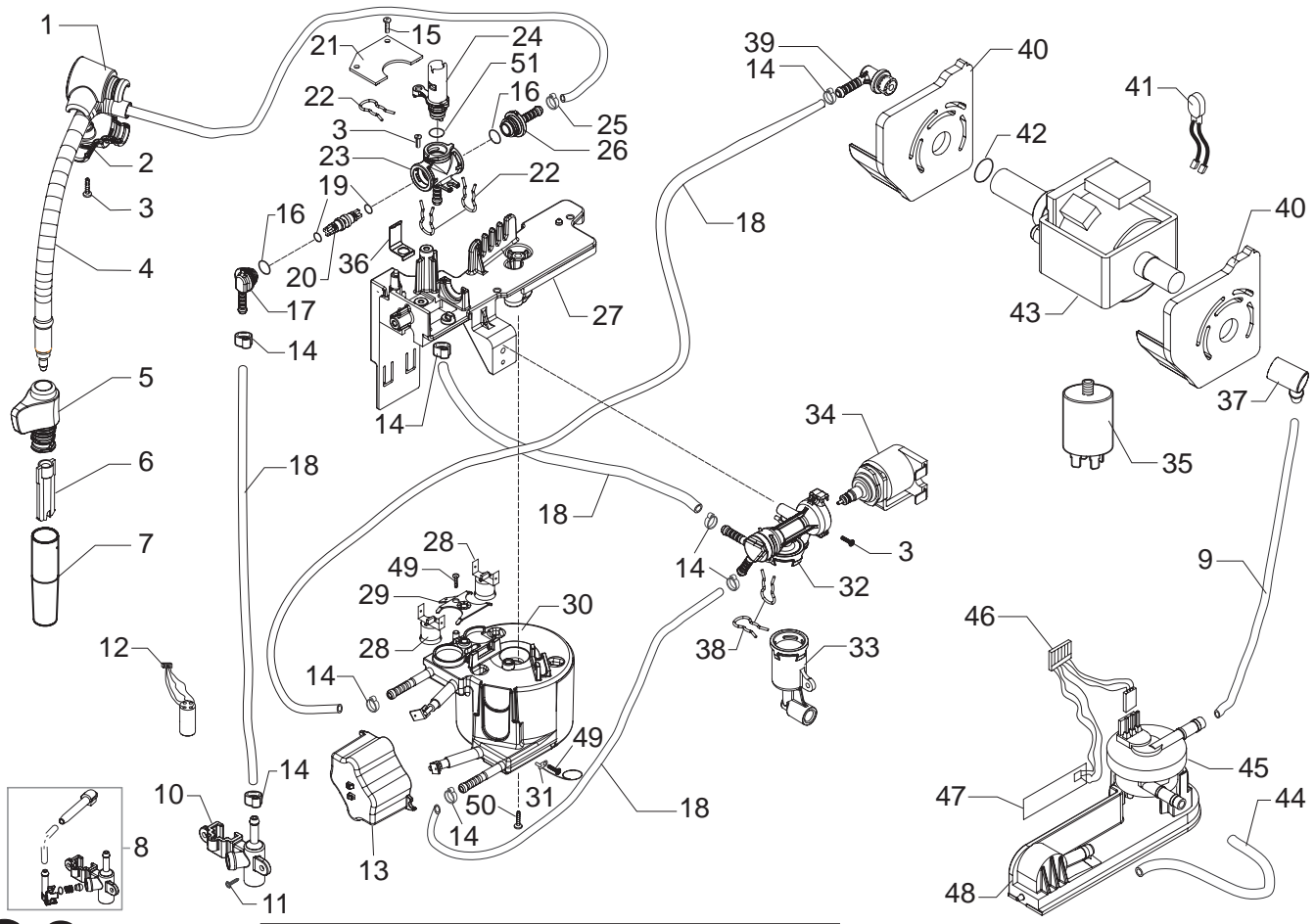
POS	CODE	DESCRIPTION	NOTE
33	11004067	TITANIO RIGHT SIDE CASING P0053	
	11007079	RED RIGHT SIDE CASING P0053	
	11007096	WHITE RIGHT SIDE CASING P0053	
	11010625	SILVER/8002 RIGHT SIDE CASING P0053	
34	11004055	TITANIO ON-OFF BUTTON INSERT P0049	
34	11007093	RED ON-OFF BUTTON INSERT P0049	
	11007100	WHITE ON-OFF BUTTON INSERT P0049	
	11007292	SILVER/8002 ON-OFF BUTTON INSERT P0049	
35	11004056	CHROMED ON-OFF SWITCH BUTTON P0049	
36	11004083	TITANIO DRIP TRAY COFFEE UNIT P0053	
	11007091	RED DRIP TRAY COFFEE UNIT P0053	
	11007098	WHITE DRIP TRAY COFFEE UNIT P0053	
	11010627	SILVER/8002 DRIP TRAY COFFEE UNIT P0053	
37	11003533	BLACK DUMP BOX P0049 W/OUT S.CREEN ASSY.	
38	11001659	BLACK INSIDE COVER DOOR P0053	
	11009285	BLACK INSIDE COVER DOOR P0053 UL	
39	9161.111	MAGNET FOR FLOAT SUPERAUTOM.	
40	11001340	BLACK DOOR PIN P0049	
41	11008956	SS SPRING FOR LOCK DOOR G0053	
42	11004085	TITANIO DOOR P0053	
	11007094	RED DOOR P0053	
	11007101	WHITE DOOR P0053	
	11010657	SILVER/8002 DOOR P0053	
43	11003785	BLACK GRINDER ADJUSTMENT KEY P0049	
44	15000740	MANUAL INSTRUCTIONS SAECO P0053/C NL/PL	RAMATO
	15000741	MANUAL INSTRUCTIONS SAECO P0053/C D/I	RAMATO
	15000742	MANUAL INSTRUCTIONS SAECO P0053/C GB/F	RAMATO
	15000743	MANUAL INSTRUCTIONS SAECO P0053/C E/P	RAMATO
	15001367	MANUAL INSTRUCTIONS SAECO P0053/C D/I	
	15001368	MANUAL INSTRUCTIONS SAECO P0053/C E/P	
	15001369	MANUAL INSTRUCTIONS SAECO P0053/C GB/F	
	15001370	MANUAL INSTRUCTIONS SAECO P0053/C GB/F	
45	223070200	ACC SAE AQUA PRIMA 1 UNIT	RAMATO
46	127390100	BRUSH FOR CLEANING	
47	183930650	PO.CABL.CH BLACK 3X1 H05VV-F L=1200	
	183911050	POWER CABLE SCHUKO BLACK L=1200	
	183921950	POWER CABLE SJT3 USA BLACK UL L=1200	
48	11003154	BLACK REED SENSOR SUPPORT P0049	
49	0301.961	WATER HARDNESS TEST	
50	146680850	BLACK COFFEE MEASURE SMART	
51	11008955	SILVER CUPWARMING LID V2 P0053 ASSY.	230V



Saeco SUP032BR
INTERNATIONAL GROUP

CE Cod. 1000225-242-1550-1852-53
Cod. 10002676-2753

POS	CODE	DESCRIPTION	NOTE	POS	CODE	DESCRIPTION	NOTE
01	11007378	CHR/PLAT.CREAM ADJUSTM.KNOB V2 P124 ASSY		33	11000081	GEAR Z=17 FOR MOBILE TRAY SUPPORT P124	
02	11007420	INTERNAL CONN.V2 FOR COFFEE DISPENSER		34	11002293	BLACK LOWER DRIP TRAY PROT.SUPPORT P124	
03	11002110	AMBRA COFFEE DISPENSER LENS P0053		35	11000586	MOBILE DRIP TRAY GEARS SHAFT P124	
04	11004208	CHROMED FRONT COFFEE DISPENSER COVER		36	11010819	SPECCHIATO GRATE FOR DRIP TRAY V2 P0053	
05	11002111	BLACK CAP COFFEE DISPEN.HEAD BODY P0053		37	11004185	AMBRA FLOAT FOR DRIP TRAY P0049	
06	11002049	BLACK COFFEE DISPENSER BODY P0053		38	11010802	CARBONA DRIP TRAY V2 P0053	
07	11004119	CHROMED REAR COFFEE DISPENSER COVER		39	11009840	CARBONA DRIP TRAY SUPPORT P0053	
08	11003223	SPECCH.DISPLAY FRONT PLATE P0053/C ASSY.		40	11003399	SPECCH. DRIP TRAY SUPPORT PROTECT.P0053	
09	11004098	SPECCHIATO FRONT PANEL SUPPORT P0053/C			11007035	SPECCHIATO DRIP TRAY PROTECTION V2 P0053	
10	12000002	24 X 2 LCD DISPLAY				FROM S/N.9008SA40217513	
		UP TO S/N.9007SA40291596		41	11002184	BLACK SENSOR BOARD SUPPORT P0053/C-D	
	11006890	24 X 2 LCD DISPLAY - CUSTOM FONT		42	11000585	MOBILE DRIP TRAY SENSOR BOARD P124	
		FROM S/N.9007SA40291597		43	11002181	BLACK COVER FOR SENSORS CABL. P0053C-D	
11	11002102	BLACK DISPLAY SUPPORT P0053/C					
12	129913202	SCREW TCB TORX 10 3X8 PLAST.ZN-B					
13	20000652	KIT SPARES CPU P0053/C+FAUCET BOAR. 3SEN.	WITH PAR.N°21 TA.3				
		UP TO S/N.9006SA40281741					
	11004849	AS.CPU+SW V1 P0053/C					
		FROM S/N.9006SA40281742 UP TO S/N.9007SA40291596					
	11007494	AS.CPU+SW V2 P0053/C					
		FROM S/N.9007SA40291597					
14	11002112	BLACK BROW SUPPORT P0053					
15	149198700	SUPPORT CREAM ADJUSTMENT SHAFT					
16	140326661	OR METRIC 0040-20 IN EPDM					
17	126772518	SPRING FOR CREAM ADJUSTMENT SHAFT					
18	140640200	CREAM ADJUSTMENT SHAFT					
19	11000290	BLACK COFFEE DISPENSER TUBE P124					
20	12000070	OR METRIC 0060-15 IN SILICONE					
21	9011.144	FORK FOR TUBE D.4					
22	11001766	TEFLON TUBE 2X4 L=125 MM ASSY					
23	140328059	OR 2015 IN SILICONE PTFE/FDA					
24	12000450	SCREW TORX T10 3,5X12 UNI9786 GALVANIZED					
25	11002130	FAST LOCK CONNECT. FOR EROGATOR P0053					
26	11001337	BLACK TUBE TEFLON INSERT P0049					
27	12000065	SAIA UCB MOTOR FOR P124 MOBILE TRAY					
28	11002204	BLACK DRIP TRAY GUIDE P0053					
29	11000662	MICROSWITCH DRIP TRAY P124 ASSY.					
	11004447	MICROSWITCH DRIP TRAY P124 UL ASSY.	230V 120V				
30	11000113	BLACK WHELL FOR DRIP TRAY SUPPORT P124					
31	11000224	INSERT FOR ADJUSTMENT TRAY WHEEL P124					
32	11000115	FIXING PLATE FOR FEEDING SCREW P124					

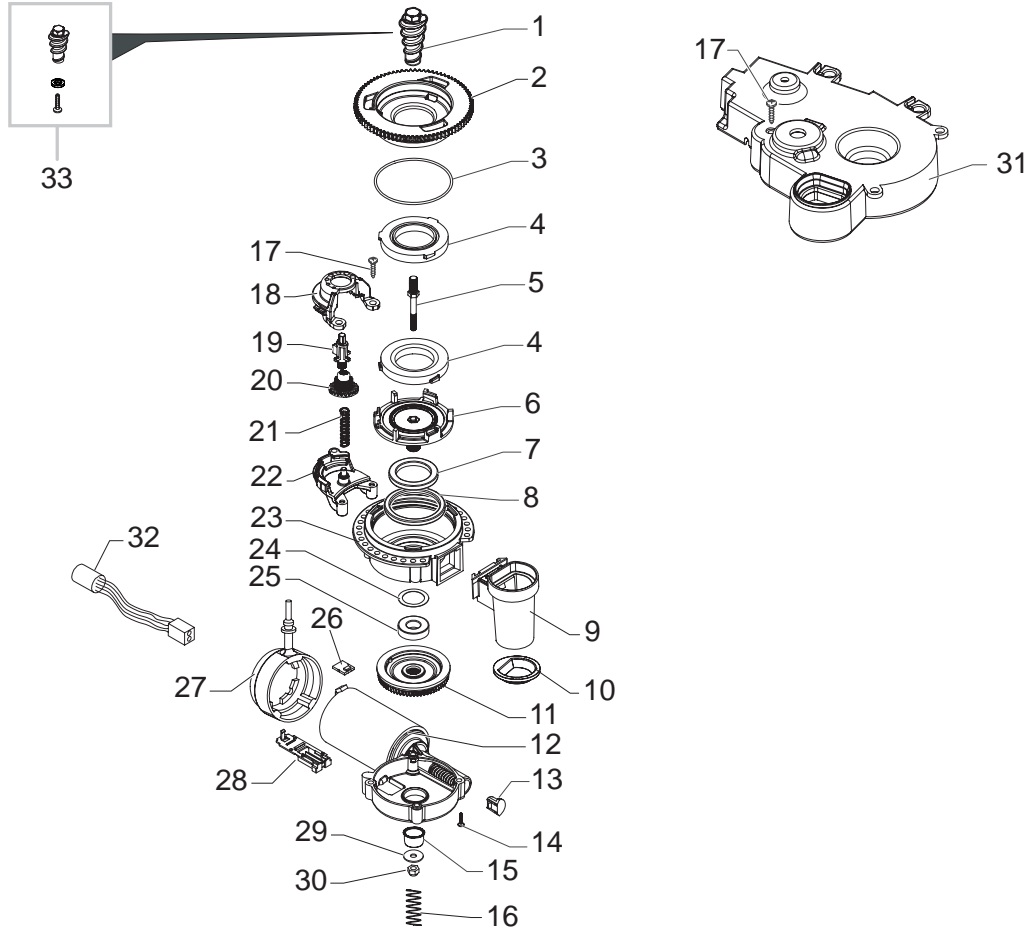


Saeco SUP032BR
INTERNATIONAL GROUP

CE Cod. 1000225-242-1550-1852-53
Cod. 10002676-2753

POS	CODE	DESCRIPTION	NOTE
01	11004196	CHROMED UPPER STEAM TUBE COVER P0049	
02	11004197	CHROMED LOWER STEAM TUBE COVER P0049	
03	129913902	SCREW TCB TORX 10 3X12 PLAST.ZN-B	
04	11022486	TF/CHROM.STEAM TUBE V2 P0049/P0053 ASSY.	
05	11001625	STEAM TUBE HANDGRIP P0049	
06	11001620	PANNARELLO INTERNAL TUBE P0049	
07	11011504	TF/CHROM.PANNARELLO COVER P0049	
08		PARTICULAR NOT AVAILABLE UP TO S/N.9007SA40333704	SEE PART. N°10
09	149360200	SILICONE TUBE 5X8 70SR	IN ROLL
10	11007421	BLACK CONNECTOR FOR P0054 FROM S/N.9007SA40333705	
11	12000450	SCREW TORX T10 3,5X12 UNI9786 GALVANIZED	
12	11000465	4POLE CONNECTOR FOR P0054	
13	11005284	BLACKBOILER CONNECT. COVER P0049/P0053	
14	12000892	OETIKER CLAMP D=9,5 16700004	
15	129913202	SCREW TCB TORX 10 3X8 PLAST.ZN-B	
16	12000931	OR 108 IN EPDM FDA 70 SH	
17	11001544	FAUCET CONNECTOR P0049	
18	16000380	5X8,9 SILICONE TUBE	IN ROLL
19	12000890	OR 2012 IN EPDM FDA 70 SH	
20	11004134	BRASS FAUCET SHAFT P0049	
21	20000652	KIT SPARES CPU P0053/C+FAUCET BOAR. 3SEN. UP TO S/N.9006SA40281741	WITH PAR.N°13 TA.2
	11007569	TAP ELECTRONIC CARD G0053 ASSY. FROM TO S/N.9006SA40281742	
22	11001499	FORK SPRING FOR FAUCET P0049	
23	11004625	TEA/BRASS FAUCET CASING P0049	
24	11004135	PLAST/BRASS FAUCET SHAFT P0049 ASSY.	
25	NF11.052	OETIKER CLIP	
26	11001546	FAUCET STRAIGHT CONNECTOR P0049	
27	11001332	SUPPORT FOR BOILER-FAUCET-VALVE P0049	
28	189428600	THERMOSTAT 175° 1NT-08L-5125	
29	11001751	THERMOSTATES SPRING FOR BOILER	
30	11011341	ALUM.BOILER/V4 ASSY.	230V-1300W
	11011342	ALUM.BOILER/V4 ASSY.	120V-1300W
31	190800100	TEMPERATURE SENSOR NTC UL L=280MM	
32	20000591	BLOWDOWN VALVE CASING P0049 ASSY.	
33	20000592	BLOWDOWN VALVE CONNECTOR P0049 ASSY.	
34	20000590	BLOWDOWN VALVE COIL P0049 230V ASSY.	230V
	20000680	BLOWDOWN VALVE COIL P0049 120V ASSY.	120V

POS	CODE	DESCRIPTION	NOTE
35	12000005	ANTIDISTURB FILTER 10A FNC 1005474103P	230V
	12000007	ANTIDISTURB FILTER 16A FNC 1610474472P	120V
36	11002957	FAUCET SPRING P0049	
37	147920150	90° CONNECTOR PUMP INLET	
38	11005096	FORK SPRING FOR VALVE P0049	
39	11001054	90°CONNECTOR PUMP OUTLET P0049/B	
40	11006296	BLACK PUMP SUPPORT P0049 ASSY.	
41	11005668	2POLES CONNECTOR PUMP P0049 UL	
42	140321961	OR 2031 IN TERMOL	
43	12000140	ULKA PUMP EP5/S GW	230V-50HZ
	12000142	ULKA PUMP EAP5/S 120V-60HZ	
44	JS01.022	SILICONE TUBE 5X10 60 SHORE	IN ROLL
45	12000781	TURBINE D=1,2 932-8521/90 ASSY.	
46	11005648	6 POLES CONNE.LEVEL+FLOWMETER P0049 UL	
47	11000651	WATER LEVEL SENSOR BOARD P124	
48	11003670	BLACK TURBINE SUPPORT/V2 P0049	
49	129573202	SCREW TCB PH/TT 4X8 UNI 8112 ZNP	
50	129932502	GALVANIZDE SELF DRILLING SCREW 5X30	
51	140321861	OR 2025	
	11008698	TEA/BRASS FAUCET P0049-P0053 ASSY. WITH PART. N°16-17-19-20-22-23-24-26-51	
	11001543	BLOWDOWN VALVE P0049 230V ASSY.	
	11005604	BLOWDOWN VALVE P0049 120V ASSY. WITH PART. N°32-33-34-38	
	11008027	ALUM.BOILER V2 P0053 230V ASSY.	
	11008028	ALUM.BOILER V2 P0053 120V ASSY.	

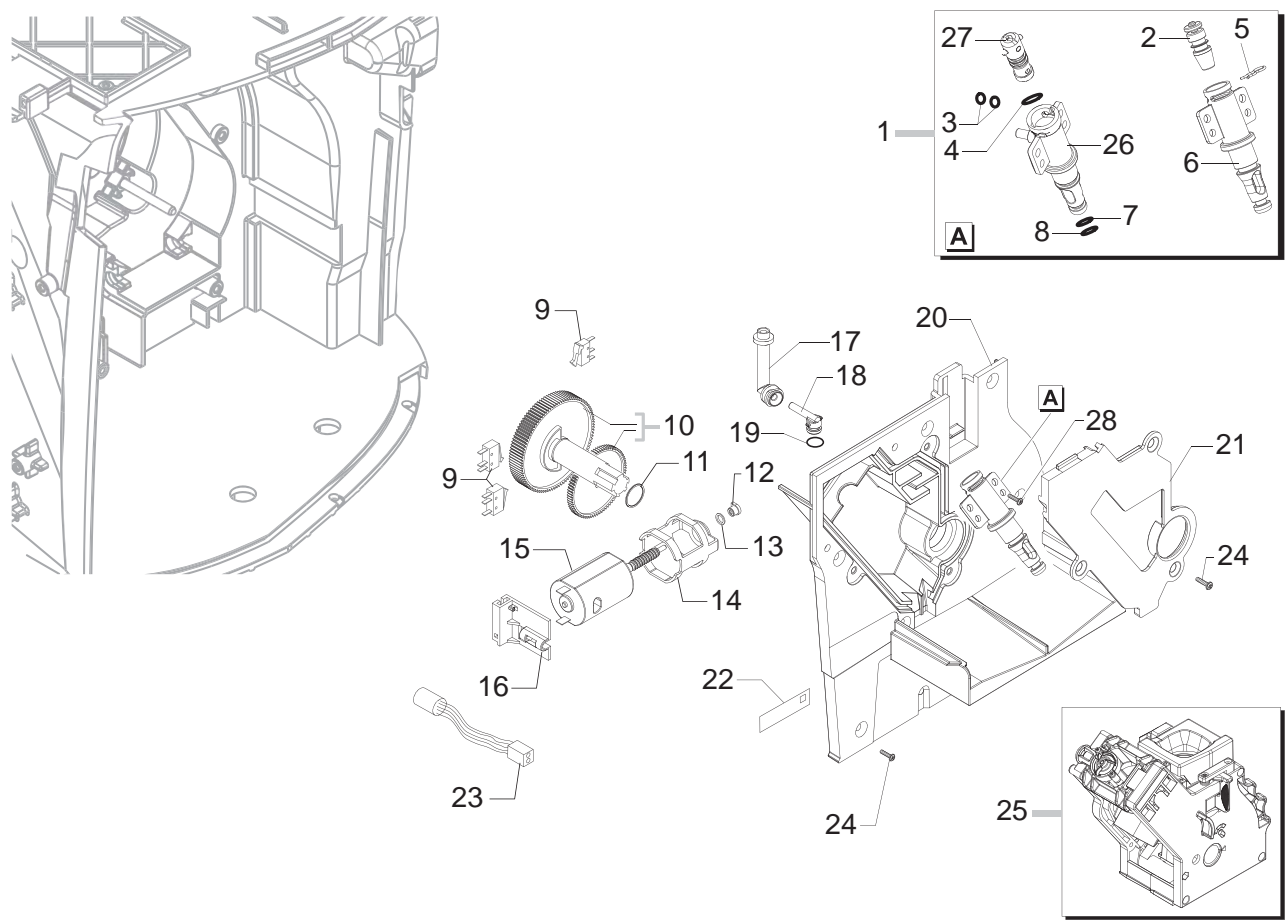


Saeco SUP032BR
INTERNATIONAL GROUP



Cod. 1000225-242-1550-1852-53
Cod. 10002676-2753

POS	CODE	DESCRIPTION	NOTE	POS	CODE	DESCRIPTION	NOTE
01		PARTICULAR NOT AVAILABLE	SEE PART. N°33				
02	149198250	UPPER GRINDER SUPPORT COFFEEGRINDER					
03	140328960	NBR FDA OR METRIC 0530-15					
04	146520100	BAKED CLAY KLAGER GRINDER 48X28					
05	127473603	STEEL PIN M4-M6 FOR INCREMENT SCREW					
06	149198350	LOWER GRINDER SUPPORT COFFEEGRINDER					
07	123030300	AXIAL BEARING EKKO 342.35252					
08	140360500	FELT RING 45,4X39,4X4					
09	11012564	GROUND COFFEE OUTLET CONVEYOR V2 ASSY					
10	145854462	GROUND COFFEE CONT.SEAL LOWER SMART1					
11	226000300	GEAR SX Z=38 FOR GRINDER MOTION ASSY.					
12	11000513	MOTOR COFFEEGRINDER/V3.1 DOMEL ASSY	230V				
	11000511	MOTOR COFFEEGRINDER/V3.1 DOMEL ASSY	120V				
13	149214800	CAP FOR WORM SCREW MC/V3 CENTRING					
14	129661702	PANELVIT TCB SCREW 3,5X25 D.7505 ZN					
15	11002873	INSULATOR BUSH FOR GRINDER MOTOR P124					
16	11000597	COFFEE GRINDER SUPPORT SPRING P124					
17	129914002	SCREW TCB TORX 10 3,5X16 PLAST.ZN-B					
18	11002508	UPPER GEAR SUPPORT COFFEEGRINDER P124					
19	11003446	BLACK INSERT FOR COFFEE GRINDER P0049					
20	11003784	COFFEE GRINDING ADJUSTMENT GEAR P0049					
21	11002572	GRINDER REGULATION SPRING P124					
22	11002613	LOWER GEAR SUPPORT COFFEEGRINDER P124					
23	142905450	UPPER BODY WITH COFFE.GROUND OUTLET					
24	128381800	CRINKLE WASHER 21,8X15,8X0,2					
25	123030200	RADIAL BEARING 61900.2RS1					
26	181540900	ELECTRONIC BOARD WITH SENSOR HAL506					
27	11001367	BLACK COFFEE GRINDER SUPPORT P0049					
28	149199050	SENSOR SUPPORT FOR COFF.GRIND.MOTOR					
29	128381902	GALVAN.FLAT WASH.DI=4,3 DE=14 SP=1,5					
30	123453102	SELF LOCK NUT M4 DIN 982 HIGH GALV.					
31	11001826	SOUNDPR. COVER FOR COFGRINDER P0053					
32	11005658	5POLES CONNECTOR MC SENSORS P0049 UL					
33	20006889	KIT TEA ZAMA INCREASE SCREW GRINDER					
	11007416	GENERAL MOTOR MC V2 P0049 230V ASSY.					
	11007417	GENERAL MOTOR MC V2 P0049 120V ASSY.					

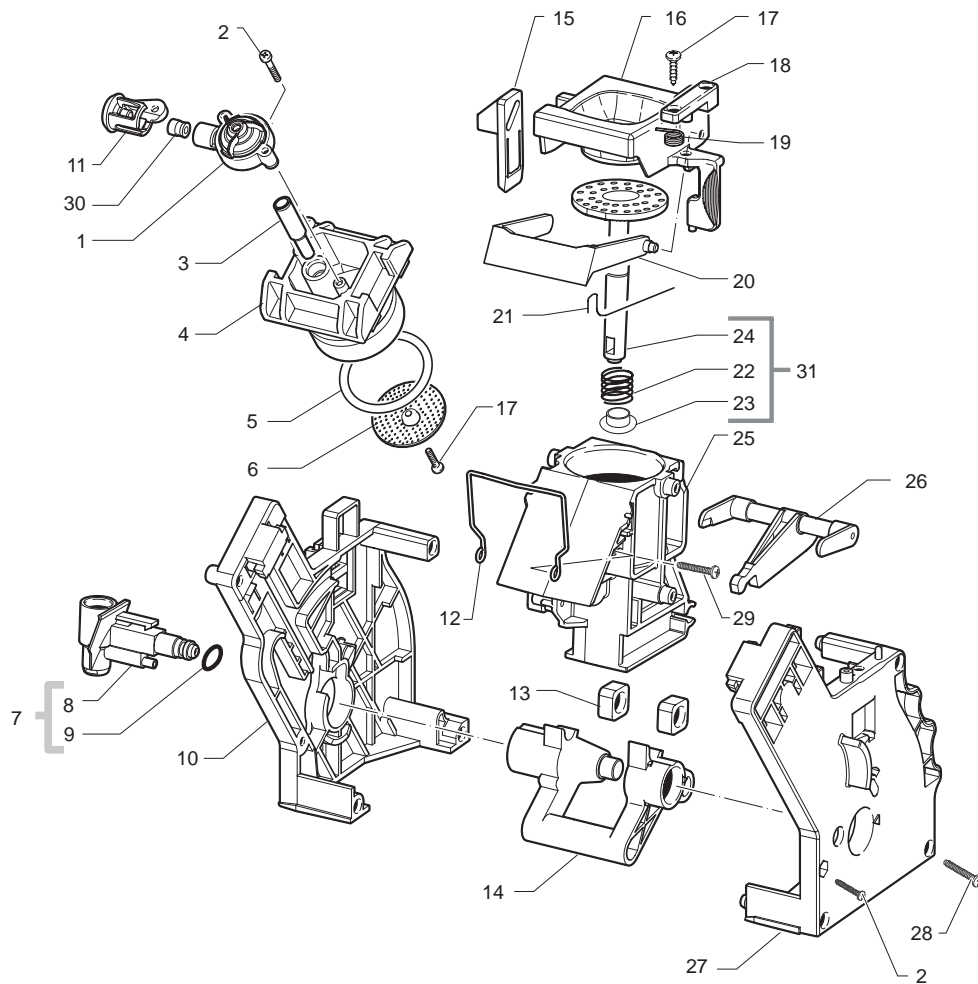


Saeco SUP032BR
INTERNATIONAL GROUP



Cod. 1000225-242-1550-1852-53
Cod. 10002676-2753

POS	CODE	DESCRIPTION	NOTE	POS	CODE	DESCRIPTION	NOTE
01	11005113	PIN V2 FOR BOILER P049/B ASSY.					
02	11000692	NIKELED BRASS CAP FOR PIN BOILER P119 UP TO S/N.9007SA40014499					
03	140328059	OR 2015 IN SILICONE PTFE/FDA					
04	140324459	OR METRICO 0060-20 SILICON.PTFE/FDA					
05	9011.144	FORK FOR TUBE D.4 UP TO S/N.9007SA40014499					
06		PARTICULAR NOT AVAILABLE UP TO S/N.9007SA40014499	SEE PART. N°01				
07	NM01.035	OR ORM 0090-20 SILICONE					
08	NM01.057	OR ORM 0050-20 SILICONE					
09	NE05.038	MICROSWITCH					
10	20000455	SPARES KIT GEARS FOR RATIOMOTOR P124 UP TO S/N.9007SA40291596					
	20000900	SPARES KIT GEARS FOR RATIOMOTOR V2 FROM S/N.9007SA40291597					
11	9161.132	MYLAR WASHER FOR RATIOMOTOR					
12	9121.046	SINTERED BUSH FOR MOTOR					
13	148380200	WASHER BAKELIZZATE D=5,5					
14	9121.044	ANTIVIBRATION FOR MOTOR					
15	11003037	MOTOR FOR RATIOMOTOR ASSY					
16	11001331	BLACK MICROSW. SUPPORT DUMP BOX P0049					
17	11004086	VALVE DESCARGING WATER 90° CONNECTOR					
18	11003648	COVER DESCARGING WATER 90° CONNECTOR					
19	140325462	OR METRIC 0070-20 IN SILICONE					
20	11006337	BLACK COVER FOR MOUNTING PLATE P0049 AS.					
	11009287	BLACK COVER MOUNTING PLATE P0049 UL ASSY					
21	11001312	BLACK COVER FOR VAIN BOILER P0049					
	11009284	BLACK COVER FOR VAIN BOILER P0049 UL					
22	11000651	WATER LEVEL SENSOR BOARD P124					
23	11003661	REED SENSOR MK3-1A66-BV16451					
24	129914102	SCREW K 35X12 WN 1423 GALVANIZED					
25	11005921	BLACK BREW UNIT V2 8GR. P124/SBS SEE COD. EXP. E90060 NEXT PAGE					
26	11003801	PIN V2 FOR BOILER P119 FROM S/N.9007SA40014500					
27	11003820	CAP V2 FOR PIN BOILER P119 FROM S/N.9007SA40014500					
28	129914002	SCREW TCB TORX 10 3,5X16 PLAST.ZN-B					



Saeco SUP030-032
INTERNATIONAL GROUP



Cod. 11005921

POS	CODICE	DESCRIZIONE	NOTE	POS	CODE	DESCRIPTION	NOTA
01	11010660	AS.VALVOLA SAECO BREWING SYSTEM STD		01	11010660	SAECO BREWING SYSTEM VALVE STD ASSY.	
02	12000550	VITE TCB 3X25 PLAST.INOX		02	12000550	SCREW TCB TORX 10 3X25 PLAST.SS	
03	11009276	TUBO X CONTROPIST.GRUPPO S0053 NERO		03	11009276	TUBE FOR COUNTER PISTON BREW UNIT S0053	
04	11001840	CONTROPISTONE GRUPPO P124 8GR. NERO		04	11001840	BLACK COUNTER PISTON BREW UNIT 8GR.P124	
05	NM01.044	OR ORM 0320-40 IN SILICONE PTFE/FDA		05	NM01.044	OR ORM 0320-40 IN SILICONE PTFE/FDA	
06	9161.268	DOCCIA DE=35,8 ELFO		06	9161.268	PERCOLATOR DE=35,8 ELFO	
07	20000440	GRUPPO RICAMBIO MANICOTTO NERO		07	20000440	BLACK SPARE SLEEVE UNIT	
08	9161.064.050	MANICOTTO ENTRATAACQUA GRUP.CAFFE.NERO		08	9161.064.050	BLACK WATER INLET SLEEVE BREW UNIT	
09	NM02.007	OR 2025 TERMOIL		09	NM02.007	OR 2025 TERMOIL	
10	9161.375.050	PIASTRA POSTERIORE GRUPPO SMART NERO		10	9161.375.050	BLACK REAR PLATE FOR BREW UNIT SMART	
11	145899250	INSERTO CENTRAGGIO RAC.USCITA CAF.P124		11	145899250	CONNECTION COFFEE FOR P124 GROUP	
12	11001556	MOLLA RASATORE H=49 X GRUPPO CAF.SMART		12	11001556	SPRING H=49 FOR COFFEE BREW UNIT SMART	
13	9161.094.050	BLOCCHETTO FORATO GRUP.CAFFE' PA/NERO		13	9161.094.050	BLACK DRILLED BLOCK BREW UNIT	
14	9161.066.050	ALBERO A GOMITO X GRUPPO NERO		14	9161.066.050	ELBOW SHAFT FOR UNIT BLACK	
15	9161.373.050	PIASTRINA AGGANCIO GRUP.CAF.SMART NERO		15	9161.373.050	BLACK COUPLING PLATE BREW UNIT SMART	
16	149261350	TRAMOGGIA GRUPPO CAFFE' SMART1 NERO		16	149261350	BLACK HOPPER DOSER BREW UNIT SMART1	
17	12000895	VITE TSP 3X10 PLAST.INOX		17	12000895	SCREW TSP TORX 10 3X10 PLAST.SS	
18	9161.374.050	PIASTRA FISS.TRAMOG. GRUP.CAF.SMART NERO		18	9161.374.050	BLACK HOPPER BLOCKING PLATE UNIT SMART	
19	9161.378	MOLLA TRAMOGGIA GRUPPO CAFFE' SMART		19	9161.378	SPRING HOPPER SMART BREW UNIT	
20	11004161	RASATORE X GRUPPO CAFFE' NERO		20	11004161	BLACK SCRAPER FOR COFFEE UNIT	
21	9161.046	MOLLA X RASATORE GRUPPO		21	9161.046	SPRING FOR UNIT SCRAPER	
22	9161.198	MOLLA PISTONE GRUPPO CAFFE' M5000		22	9161.198	PISTON SPRING BREW UNIT M5000	
23	9161.191	BOCCOLA PISTONE GRUP.CAFFE.M5000 NEUTRO		23	9161.191	NEUTRAL PISTON BUSH BREW UNIT M5000	
24	11003077	AS.PISTONE INTEGRALE GRUP.P124 8GR.NERO		24	11003077	BLACK INTEGRAL PISTON UNIT P124 8GR.ASS	
25	11003075	AS.CONT.CAF.C/BOCC.SALD.GRUP.P124 8G.NER		25	11003075	BLACK COFFEE CONTAINER BREW UNIT P124	
26	11003078	BIELLA X GRUPPO P124 8GR.NERO		26	11003078	BLACK CONNECTING ROD FOR UNIT P124 8GR.	
27	11005920	PIASTRA ANT.GRUPPO SMART S/F.NER.SER.NEW		27	11005920	BLACK FRONT PLATE BREW UNIT SMART S.SCR.	
28	12000897	VITE TCB 3,5X20 PLAST.INOX		28	12000897	SCREW TCB TORX 10 3,5X20 PLAST.SS	
29	129912521	VITE TCBR 3,5X14 PLAST.INOX		29	129912521	SCREW TCBR TORX 10 3,5X14 PLAST.SS	
30	145857962	GUARNIZ.INSERTO RACC.USCITA CAF.P124 NER		30	145857962	BLACK INSERT SEAL P124	
31	11023086	AS.GEN.PISTONE INTEGR.GRUP.CAF.8GR.NER.		31	11023086	BLK 8GR.BREW UNIT NTEGR.PISTON GEN.ASSY.	
	11005921	GRUPPO CAFFE' V2 P124/SBS 8GR.NERO			11005921	BLACK BREW UNIT 8GR.V2 P124/SBS	