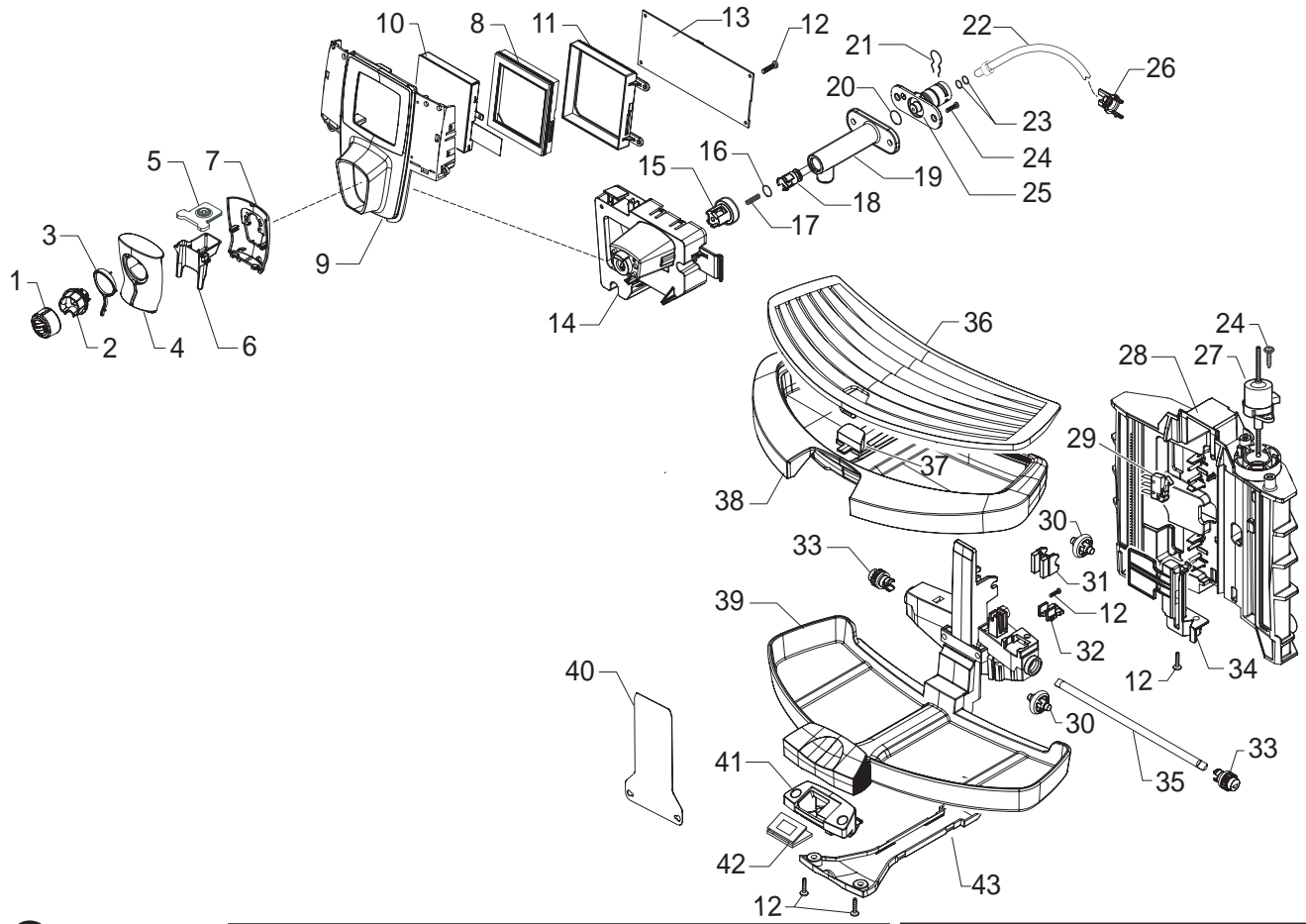


**Saeco** SUP032AR  
INTERNATIONAL GROUP



Cod.1000226-243-1562-1563-1564  
Cod.10001565-1566-1568-1569-1760

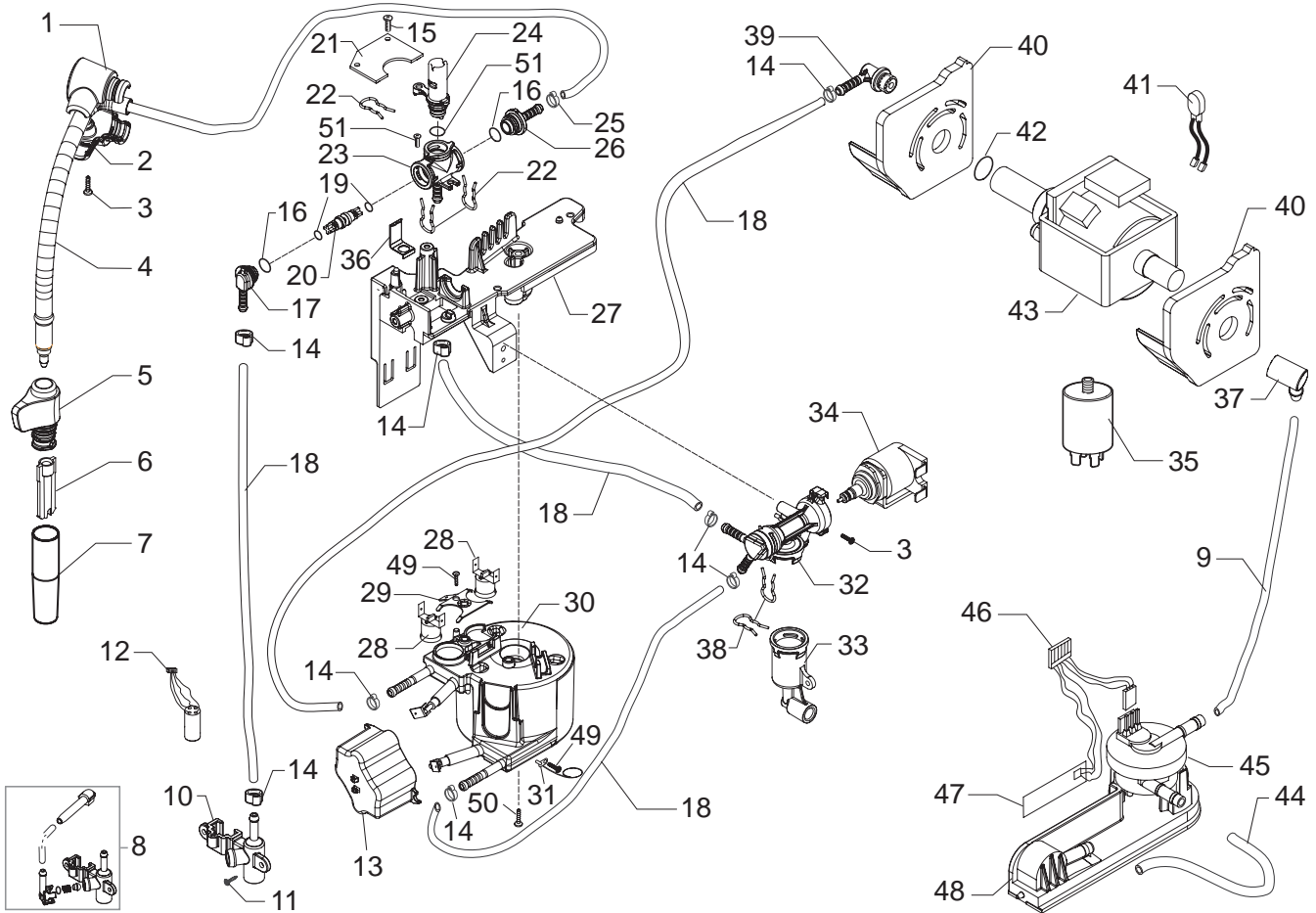
POS	CODE	DESCRIPTION	NOTE	POS	CODE	DESCRIPTION	NOTE
01	11004088	TITANIO WATER TANK OUTLET COVER P0053		38	11009285	BLACK INSIDE COVER DOOR P0053 UL	
02	11001668	NATURAL/GREY WATER CONTAINER LID P0053		39	9161.111	MAGNET FOR FLOAT SUPERAUTOM.	
03	11002017	TRANSPARENT WATER CONTAINER P0053 ASS.		40	11001340	BLACK DOOR PIN P0049	
04	224640200	EXTERNAL FILTER FOR WATER CONTAIN. ASSY	WITH PART. N°05	41	11008956	SS SPRING FOR LOCK DOOR G0053	
05	140328461	EPDM OR METRIC 0190-10		42	11004085	TITANIO DOOR P0053	
06	11003672	SPRING FOR WATER CONTAINER VALVE P0049		43	11003785	BLACK GRINDER ADJUSTMENT KEY P0049	
07	11003673	GREY WATER CONTAINER VALVE INSERT P0049		44	15002197	MANUAL V4 SAE P0053/D SUP032AR D/I	
08	11003671	TRANSP.VALVE FOR WATER CONTAINER P0049			15002199	MANUAL INSTRUCTI.V4 SAE P0053/D E/P	
09	11001298	BLACK LID FOR DUCKBILL VALVE			15002198	MANUAL INSTRUCTI.V4 V4 SAE P0053/D GB/F	
10		PARTICULAR NOT AVAILABLE	SEE PART.N°61		15002200	MANUAL INSTRUCTI.V4 SAE P0053/D NL/PL	
11		PARTICULAR NOT AVAILABLE	SEE PART.N°61	45	15001651	MANUAL INSTRUCTIONS SUP032AR CHN	
12		PARTICULAR NOT AVAILABLE	SEE PART.N°61		21001406	ACC SAE MAVEA UNI.WAT.FILTERX1 USA	
13	11004057	CHROMED WATER-STEAM KNOB P0053			21001404	ACC SAE BRITA UNI.WAT. FILTERX1 EUR-ASIA	
14	129913202	SCREW TCB TORX 10 3X8 PLAST.ZN-B		46	127390100	BRUSH FOR CLEANING	
15	11004142	SILVER PLATE LOGO SAECO NEW P0049/P0053		47	183930650	PO.CABL.CH BLACK 3X1 H05VV-F L=1200	
16	11011597	SPECCHIATO COVER WITH OPEN V2 P0053			183911050	POWER CABLE SCHUKO BLACK L=1200	
17	11002096	TRANSP.LATE INFRAREDS PLATE P0053			183921950	POWER CABLE SJT3 USA BLACK UL L=1200	
18	11004923	BLACK PLATE WITH LOGO TALEA P0053 TOUCH OR 2018 IN EPDM			183940650	BLACK POWER CABLE AUST.3X1 H05VV-F L=1200	
19	140321461	BLACK CAP FOR CONNECTIONS P0049/P0053			11001985	BLACK POWER CABLE KOREA 3X1.25 L=1200	
20	11003821	BLACK WHEEL FOR CASING BOTTOM P124			17800019	BLACK POWER CABLE BRAZIL 10A/V2 L=1200	
21	11000223	TITANIO LEFT SIDE CASING P0053			11004246	BLACK POWER CABLE TAIWAN HVCTF L=1200	
22	11004059	STEAM TUBE WASHER P0049			11004247	BLACK POWER CABLE RVV 3X1 CHINA L=1200	
23	11001624	FOLK SPRING			183980650	POWER CABLE JAPPON VCTF BLACK L=1200 MM	
24	NF11.084	PWR BOARD P0049/P0053	230V	48	11003154	BLACK REED SENSOR SUPPORT P0049	
25	11001360	PWR BOARD P0049/P0053	100V-120V	49	0301.961	WATER HARDNESS TEST	
26	11002030	TRANSPAR.BEAN COFF. CONTAIN.LID ASS.P0053		50	146680850	BLACK COFFEE MEASURE SMART	
27	11003783	BLACK POWER BOARD PROTECTION P0053/D		51	11008955	SILVER CUPWARMING LID V2 P0053 ASSY.	230V
28	11011650	NATUR/GREY GROUND COF. CONTAIN.LID P0053			11005723	SILVER CUPWARMING LID P0053 UL ASSY.	100V-120V
29	11001670	TRANSPAR.BEAN CONTAINER V2 P0053		52	11004303	SILVER WARM CUPS FINGER PROTECT. P0053	
30	11002016	MOUNTING PLATE ASSY.WITH PIN P0053		53	140329461	EPDM OR 2137	
31	11009300	MOUNTING PLATE WITH PIN P0053 ASSY.		54	11005040	SPRING FOR ON-OFF BUTTON P0049	
32	12000280	CUP SOCKET EN 60320 C 13		55	11005044	UP TO S/N. 9007SA40256419	
33	11007060	GENERAL SWITCH FOR P124			11003889	SAECO KLUBER TRIBOSTAR SIL 2 TUBE 5GR.	
34	11004067	TITANIO ON-OFF BUTTON INSERT P0049		56	129661702	2POLES CONNECT. SENSOR REED DOOR P0049	
35	11004056	CHROMED ON-OFF SWITCH BUTTON P0049		57	129914102	SCREW TCB TORX 3,5X30 PLAST.ZN-B	
36	11004083	TITANIO DRIP TRAY COFFEE UNIT P0053		58	129914102	SCREW TSP TORX 10 3,5X12 PLAST.ZN-B	
37	11003533	BLACK DUMP BOX P0049 W/OUT S.SCREEN ASSY.		59	11006567	LWR INSULATE SHEET PWR ELECT.BOARD P0053	(ONLY 120V)
38	11001659	BLACK INSIDE COVER DOOR P0053		60	11007234	UPP.INSULATE SHEET PWR ELECT.BOARD P0053	(ONLY 120V)
				61	20006664	KIT SPARES FOR PACKAGING V4 P0053	



**Saeco** SUP032AR  
INTERNATIONAL GROUP

CE Cod.1000226-243-1562-1563-1564  
Cod.10001565-1566-1568-1569-1760

POS	CODE	DESCRIPTION	NOTE	POS	CODE	DESCRIPTION	NOTE
01	11007378	CHR/PLAT.CREAM ADJUSTM.KNOB V2 P124 ASSY		38	11010802	CARBONA DRIP TRAY V2 P0053	
02	11007420	INTERNAL CONNECT.V2 FOR COFFEE DISPENS.		39	11009840	CARBONA DRIP TRAY SUPPORT P0053	
03	11002110	AMBRA COFFEE DISPENSER LENS P0053		40	11003399	SPECCH. DRIP TRAY SUPPORT PROTECT.P0053 UP TO S/N.9007SA4049757	
04	11004208	CHROMED FRONT COFFEE DISPENSER COVER			11007035	SPECCHIATO DRIP TRAY PROTECTION V2 P0053 FROM S/N.9007SA4049758	
05	11002111	BLACK CAP COFFEE DISPEN.HEAD BODY P0053		41	11002184	BLACK SENSOR BOARD SUPPORT P0053/C-D	
06	11002049	BLACK COFFEE DISPENSER BODY P0053		42	11000585	MOBILE DRIP TRAY SENSOR BOARD P124	
07	11004119	CHROMED REAR COFFEE DISPENSER COVER		43	11002181	BLACK COVER FOR SENSOR. CABLES P0053C-D	
08	11002046	TRANSPAR. DISPLAY SUPPORT SEAL P0053/D					
09	11004101	SPECCHIATO FRONT PANEL P0053/D					
10	12000163	DISPLAY VL 160160 P0053/D					
11	11002045	BLACK DISPLAY SUPPORT P0053/D					
12	129913202	SCREW TCB TORX 10 3X8 PLAST.ZN-B					
13	11004843	AS.CPU+SW V1 P0053/D					
		UP TO S/N. 9007SA40267296					
	11008085	CPU+SW AS.V2 P0053/D					
		FROM S/N. 9007SA40267297					
14	11002112	BLACK BROW SUPPORT P0053					
15	149198700	SUPPORT CREAM ADJUSTMENT SHAFT					
16	140326661	OR METRIC 0040-20 IN EPDM					
17	126772518	SPRING FOR CREAM ADJUSTMENT SHAFT					
18	140640200	CREAM ADJUSTMENT SHAFT					
19	11000290	BLACK COFFEE DISPENSER TUBE P124					
20	12000070	OR METRIC 0060-15 IN SILICONE					
21	9011.144	FORK FOR TUBE D.4					
22	11001766	TEFLON TUBE 2X4 L=125 MM ASSY					
23	140328059	OR 2015 IN SILICONE PTFE/FDA					
24	12000450	SCREW TORX T10 3.5X12 UNI9786 GALVANIZED					
25	11002130	FAST LOCK CONNECT. FOR EROGATOR P0053					
26	11001337	BLACK TUBE TEFLON INSERT P0049					
27	12000065	SAIA UCB MOTOR FOR P124 MOBILE TRAY					
28	11002204	BLACK DRIP TRAY GUIDE P0053					
29	11000662	MICROSWITCH DRIP TRAY P124 ASSY.	230V				
	11004447	MICROSWITCH DRIP TRAY P124 UL ASSY.	120V				
30	11000113	BLACK WHELL FOR DRIP TRAY SUPPORT P124					
31	11000224	INSERT FOR ADJUSTMENT TRAY WHEEL P124					
32	11000115	FIXING PLATE FOR FEEDING SCREW P124					
33	11000081	GEAR Z=17 FOR MOBILE TRAY SUPPORT P124					
34	11002293	BLACK LOWER DRIP TRAY PROT.SUPPORT P124					
35	11000586	MOBILE DRIP TRAY GEARS SHAFT P124					
36	11010819	SPECCHIATO GRATE FOR DRIP TRAY V2 P0053					
37	11004185	AMBRA FLOAT FOR DRIP TRAY P0049					

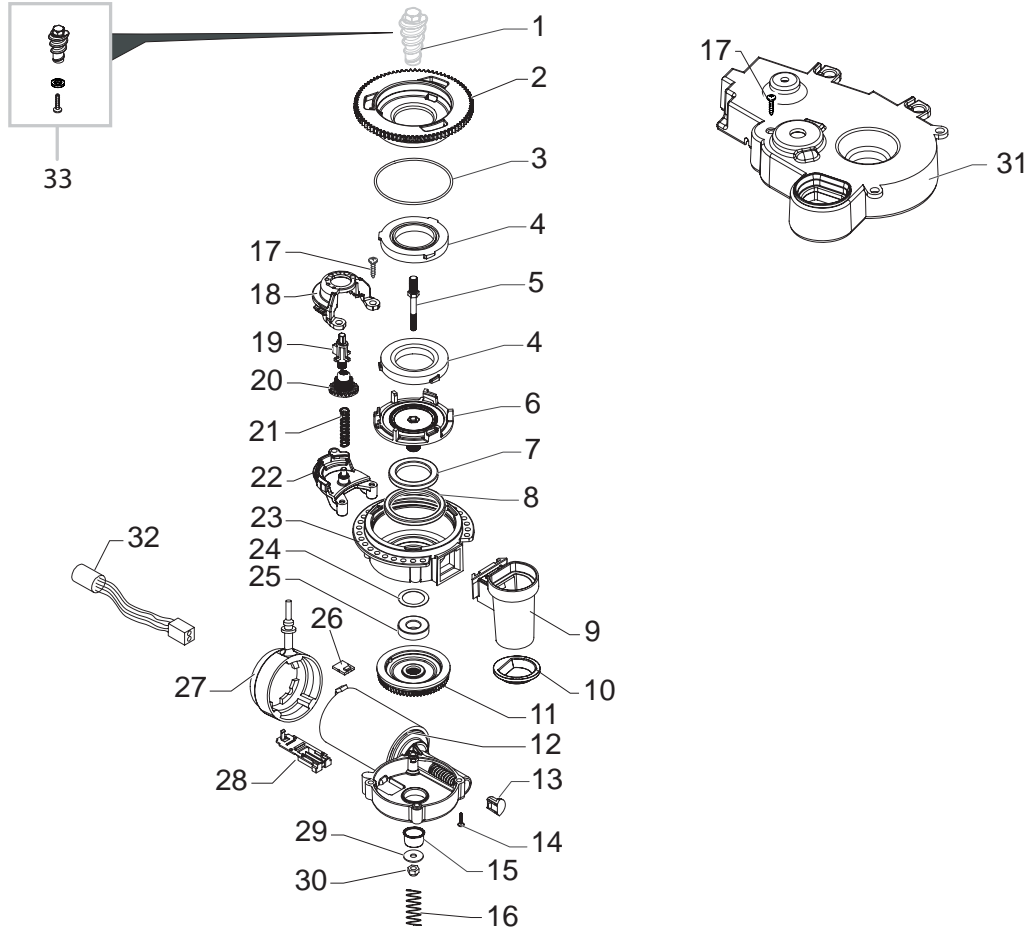


**Saeco** SUP032AR  
INTERNATIONAL GROUP



Cod.1000226-243-1562-1563-1564  
Cod.10001565-1566-1568-1569-1760

POS	CODE	DESCRIPTION	NOTE	POS	CODE	DESCRIPTION	NOTE
01	11004196	CHROMED UPPER STEAM TUBE COVER P0049		35	12000005	ANTIDISTURB FILTER 10A FNC 1005474103P	230V
02	11004197	CHROMED LOWER STEAM TUBE COVER P0049			12000007	QUICK-LOCK ANTIDISTURB FILTER 16A	100V-120V
03	129913902	SCREW TCB TORX 10 3X12 PLAST.ZN-B		36	11002957	FAUCET SPRING P0049	
04	11022486	TF/CHROM.STEAM TUBE V2 P0049/P0053 ASSY.		37	147920150	90° CONNECTOR PUMP INLET	
05	11001625	STEAM TUBE HANDGRIP P0049		38	11005096	FORK SPRING FOR VALVE P0049	
06	11001620	PANNARELLO INTERNAL TUBE P0049		39	11001054	90°CONNECTOR PUMP OUTLET P0049/B	
07	11011504	TF/CHROM.PANNARELLO COVER P0049		40	11006296	BLACK PUMP SUPPORT P0049 ASSY.	
08		PARTICULAR NOT AVAILABLE UP TO S/N. 9007SA40333704	SEE PART. N°10	41	11005668	2POLES CONNECTOR PUMP P0049 UL	
09	149360200	SILICONE TUBE 5X8 70SR	IN ROLL	42	140321961	OR 2031 IN TERMOL	
10	11007421	BLACK CONNECTOR FOR P0054 FROM S/N. 9007SA40333705		43	12000140	ULKA PUMP EP5/S GW	230V-50HZ
11	12000450	SCREW TORX T10 3,5X12 UNI9786 GALVANIZED			12000142	ULKA PUMP EAP5/S	120V-60HZ
12	11000465	4POLE CONNECTOR FOR P0054			12000130	ULKA PUMP EP5/S GW	100V-50/60HZ
13	11005284	BLACKBOIL. CONNECTORS COVER P0049/P0053			12000182	ULKA PUMP EP5/S GW	220V-60HZ
14	12000892	OETIKER CLAMP D=9,5 16700004		44	JS01.022	SILICONE TUBE 5X10 60 SHORE	IN ROLL
15	129913202	SCREW TCB TORX 10 3X8 PLAST.ZN-B		45	12000781	TURBINE D=1.2 932-8521/90 ASSY.	
16	12000931	OR 108 IN EPDM FDA 70 SH		46	11005648	6 POLES CONN.LEVEL+FLOWMETER P0049 UL	
17	11001544	FAUCET CONNECTOR P0049		47	11000651	WATER LEVEL SENSOR BOARD P124	
18	16000380	5X8,9 SILICONE TUBE	IN ROLL	48	11003670	BLACK TURBINE SUPPORT/V2 P0049	
19	12000890	OR 2012 IN EPDM FDA 70 SH		49	129573202	SCREW TCB PH/TT 4X8 UNI 8112 ZNP	
20	11004134	BRASS FAUCET SHAFT P0049		50	129932502	GALVANIZDE SELF DRILLING SCREW 5X30	
21	11007569	TAP ELECTRONIC CARD G0053 ASSY.		51	140321861	OR 2025	
22	11001499	FORK SPRING FOR FAUCET P0049			11008698	TEA/BRASS FAUCET P0049-P0053 ASSY. WITH PART. N°16-17-19-20-22-23-24-26-51	
23	11004625	TEA/BRASS FAUCET CASING P0049		11001543	BLOWDOWN VALVE P0049 230V ASSY.		
24	11004135	PLAST/BRASS FAUCET SHAFT P0049 ASSY.		11005604	BLOWDOWN VALVE P0049 120V ASSY.		
25	NF11.052	OETIKER CLIP		11005751	BLOWDOWN VALVE P0049 100V ASSY.		
26	11001546	FAUCET STRAIGHT CONNECTOR P0049		11009021	BLOWDOWN VALVE P0049 220V-60HZ ASSY. WITH PART. N°32-33-34-38		
27	11001332	SUPPORT FOR BOILER-FAUCET-VALVE P0049		11008027	ALUM.BOILER V2 P0053 230V ASSY.		COMPLETE
28	189428600	THERMOSTAT 175° 1NT-08L-5125		11008028	ALUM.BOILER V2 P0053 120V ASSY.		COMPLETE
29	11001751	THERMOSTATES SPRING FOR BOILER		11008029	ALUM.BOILER V2 P0053 100V ASSY.		COMPLETE
30	11011341	ALUM.BOILER/V4 ASSY.	230V-1300W	11009131	ALUM.BOILER V2 P0053 220V-60HZ ASSY.		COMPLETE
	11011342	ALUM.BOILER/V4 ASSY.	120V-1300W				
	11011343	ALUM.BOILER/V4 ASSY.	100V-1300W				
31	190800100	TEMPERATURE SENSOR NTC UL L=280MM					
32	20000591	BLOWDOWN VALVE CASING P0049 ASSY.					
33	20000592	BLOWDOWN VALVE CONNECTOR P0049 ASSY.					
34	20000590	BLOWDOWN VALVE COIL P0049 ASSY.	230V				
	20000680	BLOWDOWN VALVE COIL P0049 ASSY.	120V				
	20000681	BLOWDOWN VALVE COIL P0049 ASSY.	100V				
	20000920	BLOWDOWN VALVE COIL P0049 ASSY.	220V-60HZ				

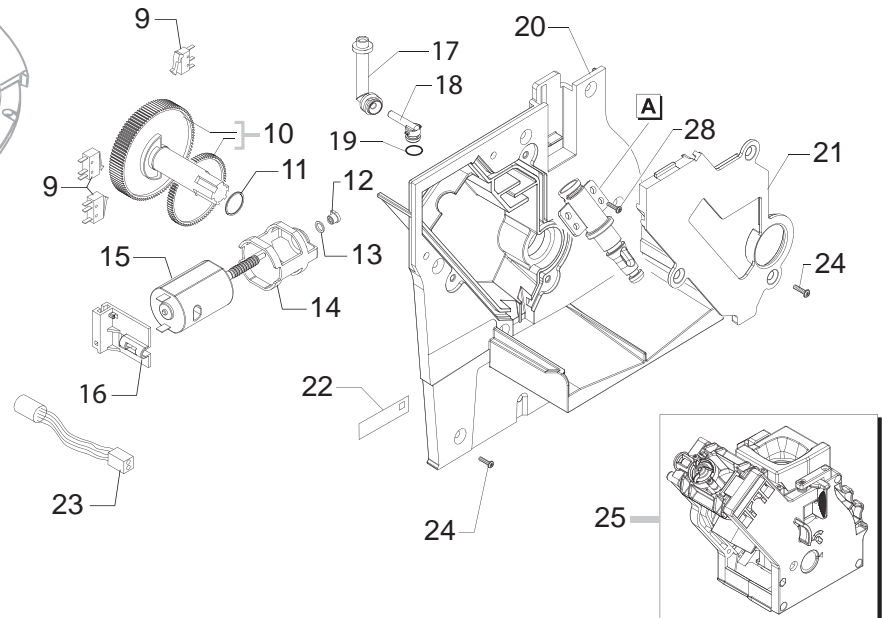
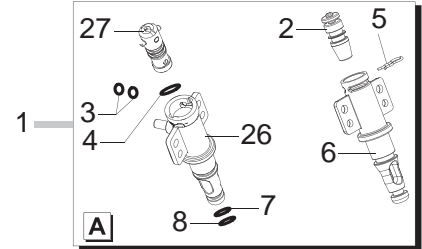
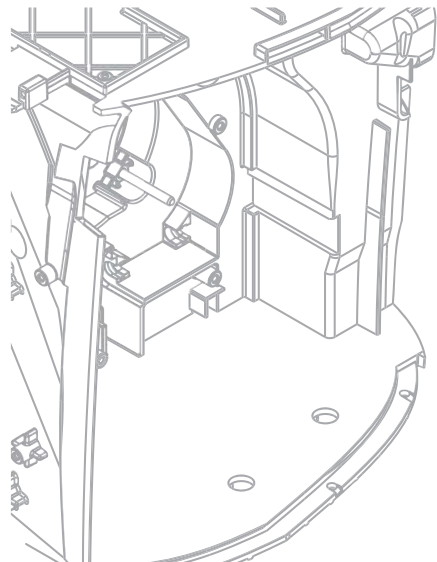


**Saeco** SUP032AR  
INTERNATIONAL GROUP



Cod.1000226-243-1562-1563-1564  
Cod.10001565-1566-1568-1569-1760

POS	CODE	DESCRIPTION	NOTE	POS	CODE	DESCRIPTION	NOTE
01		PARTICULAR NOT AVAILABLE	SEE PART. N°33				
02	149198250	UPPER GRINDER SUPPORT COFFEEGRINDER					
03	140328960	NBR FDA OR METRIC 0530-15					
04	146520100	BAKED CLAY KLAGER GRINDER 48X28					
05	127473603	STEEL PIN M4-M6 FOR INCREMENT SCREW					
06	149198350	LOWER GRINDER SUPPORT COFFEEGRINDER					
07	123030300	AXIAL BEARING EKKO 342.35252					
08	140360500	FELT RING 45,4X39,4X4					
09	11012564	GROUND COFFEE OUTLET CONVEYOR V2 ASSY					
10	145854462	GROUND COFFEE CONT.SEAL LOWER SMART1					
11	226000300	GEAR SX Z=38 FOR GRINDER MOTION ASSY.					
12	11000513	MOTOR COFFEEGRINDER/V3.1 DOMEL ASSY	230V				
	11000511	MOTOR COFFEEGRINDER/V3.1 DOMEL ASSY	120V				
	11000512	MOTOR COFFEEGRINDER/V3.1 DOMEL ASSY	100V				
13	149214800	CAP FOR WORM SCREW MC/V3 CENTRING					
14	129661702	PANELVIT TCB SCREW 3,5X25 D.7505 ZN					
15	11002873	INSULATOR BUSH FOR GRINDER MOTOR P124					
16	11000597	COFFEE GRINDER SUPPORT SPRING P124					
17	129914002	SCREW TCB TORX 10 3,5X16 PLAST.ZN-B					
18	11002508	UPPER GEAR SUPPORT COFFEEGRINDER P124					
19	11003446	BLACK INSERT FOR COFFEE GRINDER P0049					
20	11003784	COFFEE GRINDING ADJUSTMENT GEAR P0049					
21	11002572	GRINDER REGULATION SPRING P124					
22	11002613	LOWER GEAR SUPPORT COFFEEGRINDER P124					
23	149205450	SWITCH+SOCKET POWER CABL.SUPP.SMART					
24	128381800	CRINKLE WASHER 21,8X15,8X0,2					
25	123030200	RADIAL BEARING 61900.2RS1					
26	181540900	ELECTRONIC BOARD WITH SENSOR HAL506					
27	11001367	BLACK COFFEE GRINDER SUPPORT P0049					
28	149199050	SENSOR SUPPORT FOR COFF.GRIND.MOTOR					
29	128381902	GALVAN.FLAT WASH.DI=4,3 DE=14 SP=1,5					
30	123453102	SELF LOCK NUT M4 DIN 982 HIGH GALV.					
31	11001826	SOUNDPR. COVER FOR COFGRINDER P0053					
32	11005658	5POLES CONNECTOR MC SENSORS P0049 UL					
33	20006889	KIT TEA ZAMA INCREASE SCREW GRINDER					
	11007416	GENERAL MOTOR MC V2 P0049 230V ASSY.					
	11007417	GENERAL MOTOR MC V2 P0049 120V ASSY.					
	11007418	GENERAL MOTOR MC V2 P0049 100V ASSY.					



**Saeco** SUP032AR  
INTERNATIONAL GROUP



Cod.1000226-243-1562-1563-1564  
Cod.10001565-1566-1568-1569-1760

POS	CODE	DESCRIPTION	NOTE	POS	CODE	DESCRIPTION	NOTE
01	11005113	PIN V2 FOR BOILER P049/B ASSY.					
02	11000692	NIKELED BRASS CAP FOR PIN BOILER P119 UP TO S/N. 9007SA40012603					
03	140328059	OR 2015 IN SILICONE PTFE/FDA					
04	140324459	OR METRICO 0060-20 SILICON.PTFE/FDA					
05	9011.144	FORK FOR TUBE D.4 UP TO S/N. 9007SA40012603					
06		PARTICULARE NOT AVAILABLE UP TO S/N. 9007SA40012603	SEE PART. N°01				
07	NM01.035	OR ORM 0090-20 SILICONE					
08	NM01.057	OR ORM 0050-20 SILICONE					
09	NE05.038	MICROSWITCH					
10	20000455	SPARES KIT GEARS FOR RATIOMOTOR P124 UP TO S/N 9007SA40267296					
	20000900	SPARES KIT GEARS FOR RATIOMOTOR V2 FROM S/N 9007SA40267297					
11	9161.132	MYLAR WASHER FOR RATIOMOTOR					
12	9121.046	SINTERED BUSH FOR MOTOR					
13	148380200	WASHER BAKELIZZATE D=5,5					
14	9121.044	ANTIVIBRATION FOR MOTOR					
15	11003037	MOTOR FOR RATIOMOTOR ASSY.					
16	11001331	BLACK MICROSW. SUPPORT DUMP BOX P0049					
17	11004086	VALVE DESCARGING WATER 90° CONNECTOR					
18	11003648	COVER DESCARGING WATER 90° CONNECTOR OR METRIC 0070-20 IN SILICONE					
19	140325462	OR METRIC 0070-20 IN SILICONE					
20	11006337	BLACK COVER FOR MOUNTING PLATE P0049 AS					
	11009287	BLACK COVER MOUNTING PLATE P0049 UL ASSY					
21	11001312	BLACK COVER FOR VAIN BOILER P0049					
	11009284	BLACK COVER FOR VAIN BOILER P0049 UL					
22	11000651	WATER LEVEL SENSOR BOARD P124					
23	11003661	REED SENSOR MK3-1A66-BV16451					
24	129914102	SCREW K 35X12 WN 1423 GALVANIZED					
25	11005921	BLACK BREW UNIT V2 8GR. P124/SBS SEE COD. EXP. E90060					
26	11003801	PIN V2 FOR BOILER P119 FROM S/N. 9007SA40012604					
27	11003820	CAP V2 FOR PIN BOILER P119 FROM S/N. 9007SA40012604					
28	129914002	SCREW TCB TORX 10 3,5X16 PLAST.ZN-B					