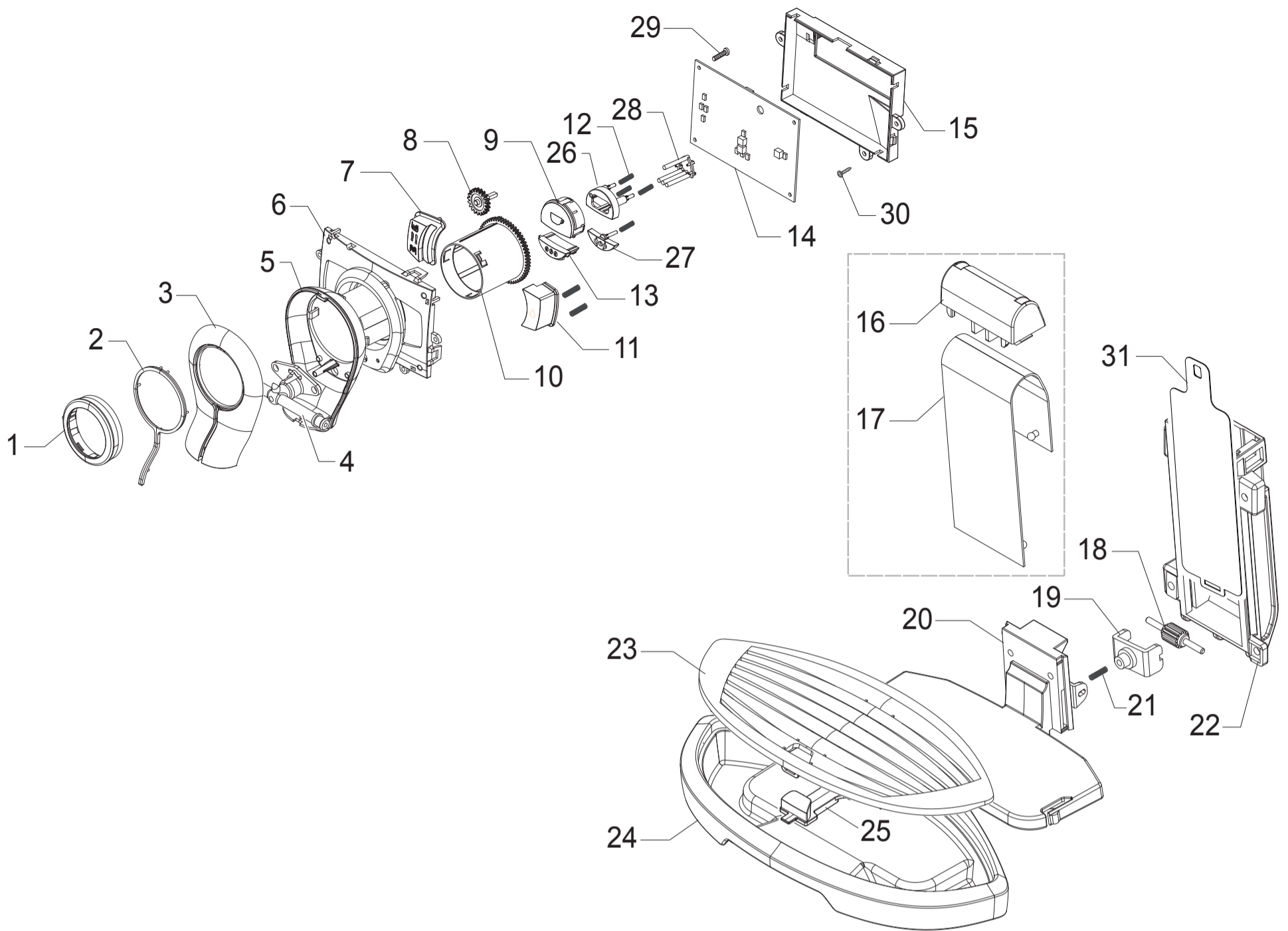


**Saeco** SUP031OR  
INTERNATIONAL GROUP



Cod.1000206-49-60-61-1340-41-1602-03  
Cod.10001604-05-06-07-08-09-1770-1855-2520

POS	CODE	DESCRIPTION	NOTE	POS	CODE	DESCRIPTION	NOTE
01	15001426	MANUAL V2 SAE P0049/B SUP031OR GB/F		25	11030318	CARBONA COFFEE UNIT DRIP TRAY V2 P0049	
	15001427	MANUAL V2 SAE P0049/B SUP031OR E/P			11030321	MATTONE COFFEE UNIT DRIP TRAY V2 P0049	
	15001428	MANUAL V2 SAE P0049/B SUP031OR D/I			11030327	TITANIO COFFEE UNIT DRIP TRAY V2 P0049	
	15001429	MANUAL V2 SAE P0049/B SUP031OR NL/P			11030325	BROWN COFFEE UNIT DRIP TRAY V2 P0049	
	15001654	MANUAL INSTRUCTIONS SUP031OR CHN		26	12000280	CUP SOCKET EN 60320 C 13	
02	127390100	BRUSH FOR CLEANING		27	11000592	SAIA 3292 GENERAL SWITCH FOR P124	
03	11003785	BLACK GRINDER ADJUSTMENT KEY P0049		28	11004591	CARBONA WATER TANK OUTLET COVER P0049	
04	183911050	POWER CABLE SCHUKO BLACK L=1200			11004393	TITANIO WATER TANK OUTLET COVER P0049	
	183930650	PO.CABL.CH BLACK 3X1 H05VV-F L=1200			11004415	MATTONE WATER TANK OUTLET COVER P0049	
	183921950	POWER CABLE SJT3 USA BLACK UL L=1200			11007106	MARRON WATER TANK OUTLET COVER P0049	
	183940650	BLACK POWER CABL. AUST.3X1 H05VV-F L=1200		29	11011355	TRANSPAR.BEAN CONTAINER V2 P0049	
	183980650	POWER CABL.JAPPON VCTF BLACK L=1200		30	11001762	TRANSPAR.BEAN COFF.CONTAIN.LID ASS.P0049	
	11001985	BLACK POWER CABLE KOREA 3X1,25 L=1200			11009071	NAT/GREY BEAN COF.CONT.LID P0049 S/S.ASS	
	17800019	BLACK POWER CABLE BRAZIL L=1200		31	11009191	BLACK POWER BOARD PROTECTION V2 P0049	
	17800330	BLACK POWER CABLE BRAZIL L=1200		32	11022788	PWR BOARD V2 P0053 230V	230V
	11004246	BLACK POWER CABLE TAIWAN HVCTF L=1200			11003968	PWR BOARD P0049/P0053	100V-120V
	11004247	BLACK POWER CABLE RVV 3X1 CHINA L=1200		33	9161.111	MAGNET FOR FLOAT SUPERAUTOM.	
05		<b>PARTICULAR NOT AVAILABLE</b>	SEE PART.N°53	34	11008956	SS SPRING FOR LOCK DOOR G0053	
06		<b>PARTICULAR NOT AVAILABLE</b>	SEE PART.N°53	35	11001340	BLACK DOOR PIN P0049	
07		<b>PARTICULAR NOT AVAILABLE</b>	SEE PART.N°53	36	11004578	CARBONA DOOR P0049	
08	11001746	TRANSPARENT WATER CONTAINER P0049 ASS.			11004391	TITANIO DOOR P0049	
09	224640200	EXTERNAL FILTER FOR WATER CONTAINER AS.	WITH PART. N°10		11004413	MATTONE DOOR P0049	
10	140328461	EPDM OR METRIC 0190-10			11007108	BROWN DOOR P0049	
11	11003672	SPRING FOR WATER CONTAINER VALVE P0049		37	11001091	BLACK INSIDE COVER DOOR P0049	
12	11003673	GREY WATER CONTAINER VALVE INSERT P0049			11009283	BLACK INSIDE COVER DOOR P0049 UL	
13	11003671	TRANSP.VALVE FOR WATER CONTAINER P0049			11004592	CARBONA ON-OFF BUTTON INSERT P0049	
14	11001298	BLACK LID FOR DUCKBILL VALVE P0049		38	11004055	TITANIO ON-OFF BUTTON INSERT P0049	
15	11001308	NATURAL/GREY WATER CONTAINER LID P0049			11004540	MATTONE ON-OFF BUTTON INSERT P0049	
16	11030061	MOUNTING PLATE W/PIN V3 P0049 ASSY.			11007107	MARRON ON-OFF BUTTON INSERT P0049	
	11030062	MOUNTING PLATE W/PIN V3 P0049 UL ASSY.		39	11011129	SPECCHIATO ON-OFF SWITCH BUTTON P0049	
17	11000223	BLACK WHEEL FOR CASING BOTTOM P124		40	11001437	BLACK CAP FOR CONNECTIONS P0049/P0053	
18	11013549	SPECCHIATO CASING COVER V3 P0049		41	11001339	TRANSPLATE INFRAREDS PLATE P0049	
19	11010717	SPECCHIATO WATER-STEAM KNOB P0049		42	NF11.084	FOLK SPRING	
20	11004142	SILVER PLATE LOGO SAECO NEW P0049/P0053		43	11001624	STEAM TUBE WASHER P0049	
21	11004908	BLACK PLATE WITH LOGO ODEA P0049 GIRO		44	11005287	BLACK BUSH FOR STEAM KNOB	
	11004909	BLACK PLATE W/LOGO ODEA P0049 GIRO PLUS		45	11003154	BLACK REED SENSOR SUPPORT P0049	
22	11004575	CARBONA RIGHT SIDE CASING P0049		46	11028379	PSA KLUBER TRIBOSTAR SIL 2 TUBE 5GR	
	11004389	TITANIO RIGHT SIDE CASING P0049		47	11005040	SPRING FOR ON-OFF BUTTON P0049	
	11004411	MATTONE RIGHT SIDE CASING P0049		48	11003889	2POLES CONNECT. SENSOR REED DOOR P0049	
	11007103	BROWN RIGHT SIDE CASING P0049		49	129913202	SCREW TCB TORX 10 3X8 PLAST.ZN-B	
23	11004576	CARBONA LEFT SIDE CASING P0049		50	129661702	SCREW TCB TORX 3,5X30 PLAST.ZN-B	
	11004390	TITANIO LEFT SIDE CASING P0049		51	11006567	LWR INSULATE SHEET PWR ELECT.BOARD P0053	(ONLY 120V)
	11004412	MATTONE LEFT SIDE CASING P0049		52	11007234	UPP.INSULATE SHEET PWR ELECT.BOARD P0053	(ONLY 120V)
	11007104	BROWN LEFT SIDE CASING P0049		53	20006675	KIT SPARES FOR PACKAGING V3 P0049	
24	11003533	BLACK DUMP BOX P0049 W/OUT S.SCREEN ASSY.					

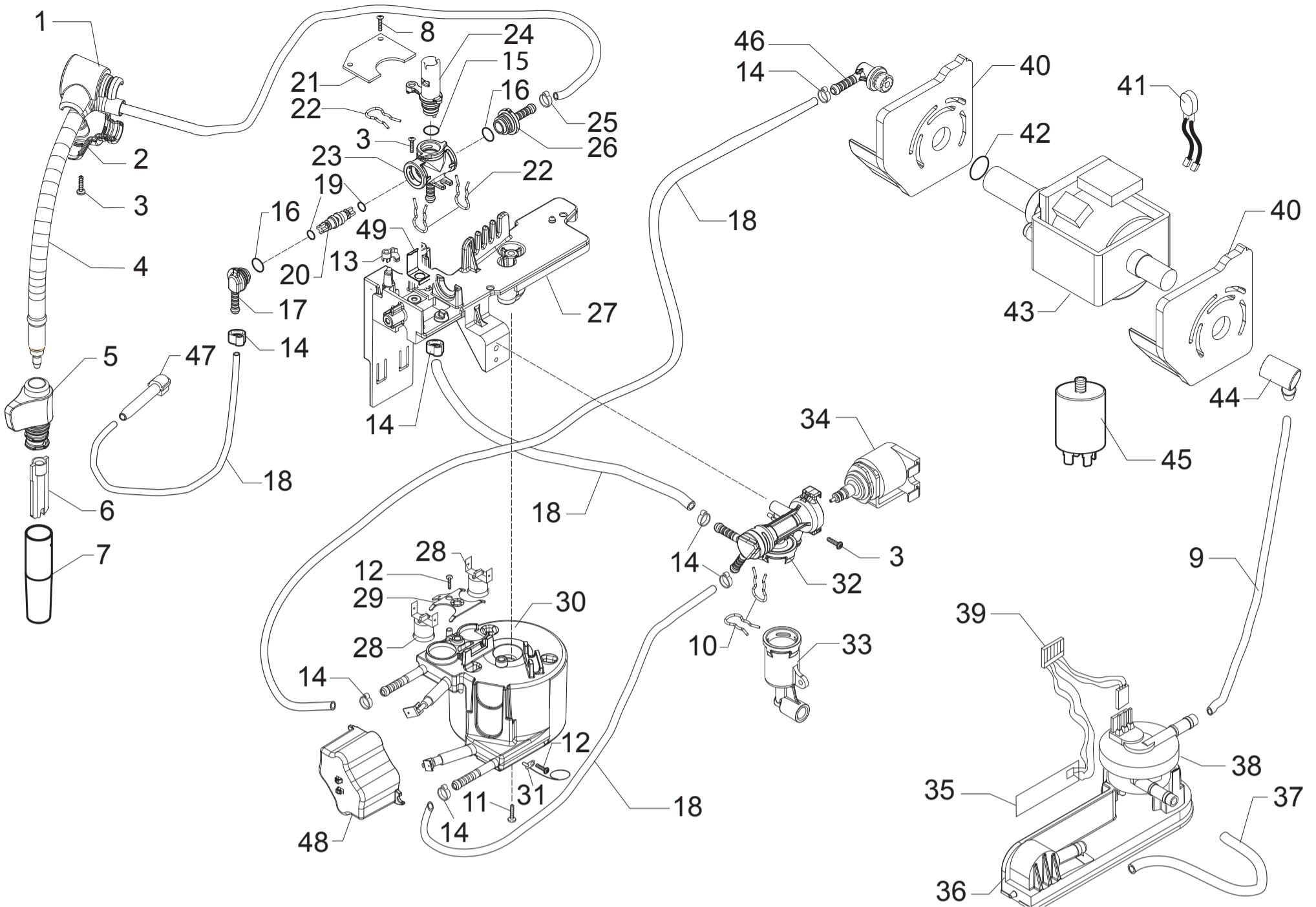


**Saeco** SUP031OR  
INTERNATIONAL GROUP



Cod.1000206-49-60-61-1340-41-1602-03  
Cod.10001604-05-06-07-08-09-1770-1855-2520

POS	CODE	DESCRIPTION	NOTE	POS	CODE	DESCRIPTION	NOTE
01	11011220	SPECCHIATO HEIGHT REGULATION NUT P0049					
02	11001788	AMBRA COFFEE DISPENSER LENS P0049					
03	11011223	SPECCH.FRONT COF.DISPENSER COVER P0049					
04	11001772	TRANS.INNER CASING COFF.DISPENSER P0049					
05	11011221	SPECCHIAT.REAR COF.DISPENSER COVER P0049					
06	11011224	SPECCHIATO SUPPORT ELECTR.CARD P0049					
07	11001351	BLACK BUTTON FOR ALLARMS P0049					
08	11001320	BLACK GEAR Z=19 FOR P0049					
09	11001354	BLACK COFFEE BUTTON P0049/B					
10	11001314	BLACK SUPPORT FOR RING NUT P0049					
11	11001352	BLACK WATER BUTTON P0049					
12	11001363	SPRING FOR BUTTONS P0049					
13	11001355	BLACK COFFEE DOSE BUTTON P0049/B					
14	20000653	KIT SPARES CPU P0049 + FAUCET BOAR. 3SEN.	WITH PAR.N°21 TA.3				
	11004915	AS.CPU+SW V1 P0049					
		<b>FR.S/N.9006SA40294418 UP S/N.9007SA40439137</b>					
	20003340	KIT SPARES CPU+SW V2 P0049 ASSY.					
		<b>FROM S/N. 9007SA40439138</b>					
15	11001299	BLACK SUPPORT ELECTR.CARD CPU P0049.					
16	11001304	BLACK DRIP TRAY GUIDE LID P0049					
		<b>UP TO S/N. 9008SA40110704</b>					
17	11001438	SILVER DRIP TRAY SUPPORT PROTECT.P0049					
		<b>UP TO S/N. 9008SA40110704</b>					
18	11001758	PIN WITH BLACK INSERT ASSY.P0049					
19	11001335	BLACK PIN INSERT FOR DRIP TRAY P0049					
20	17002054	BLACK DRIP TRAY SUPPORT V2 P0049					
21	11001364	MOVE DRIP TRAY SPRING P0049					
22	11001294	BLACK DRIP TRAY GUIDE P0049					
23	11011128	SPECCHIATO GRATE FOR DRIP TRAY P0049					
24	11009633	CARBONA DRIP TRAY P0049					
25	11004185	AMBRA FLOAT FOR DRIP TRAY P0049					
26	11001350	BLACK COFFEE BUTTON SPACER P0049/B					
27	11001309	BLACK SPACER FOR COF.DOSE BUTTON P0049					
28	11001291	TRANSPARENT CAP LED COVER P0049					
29	129913202	SCREW TCB TORX 10 3X8 PLAST.ZN-B					
30	12000450	SCREW TCBR TORX 10 3,5X12 PLAST.GALVANIZ					
31	11007037	SPECCHIATO DRIP TRAY PROTECTION V2 P0049					
		<b>FROM S/N. 9008SA40110705</b>					

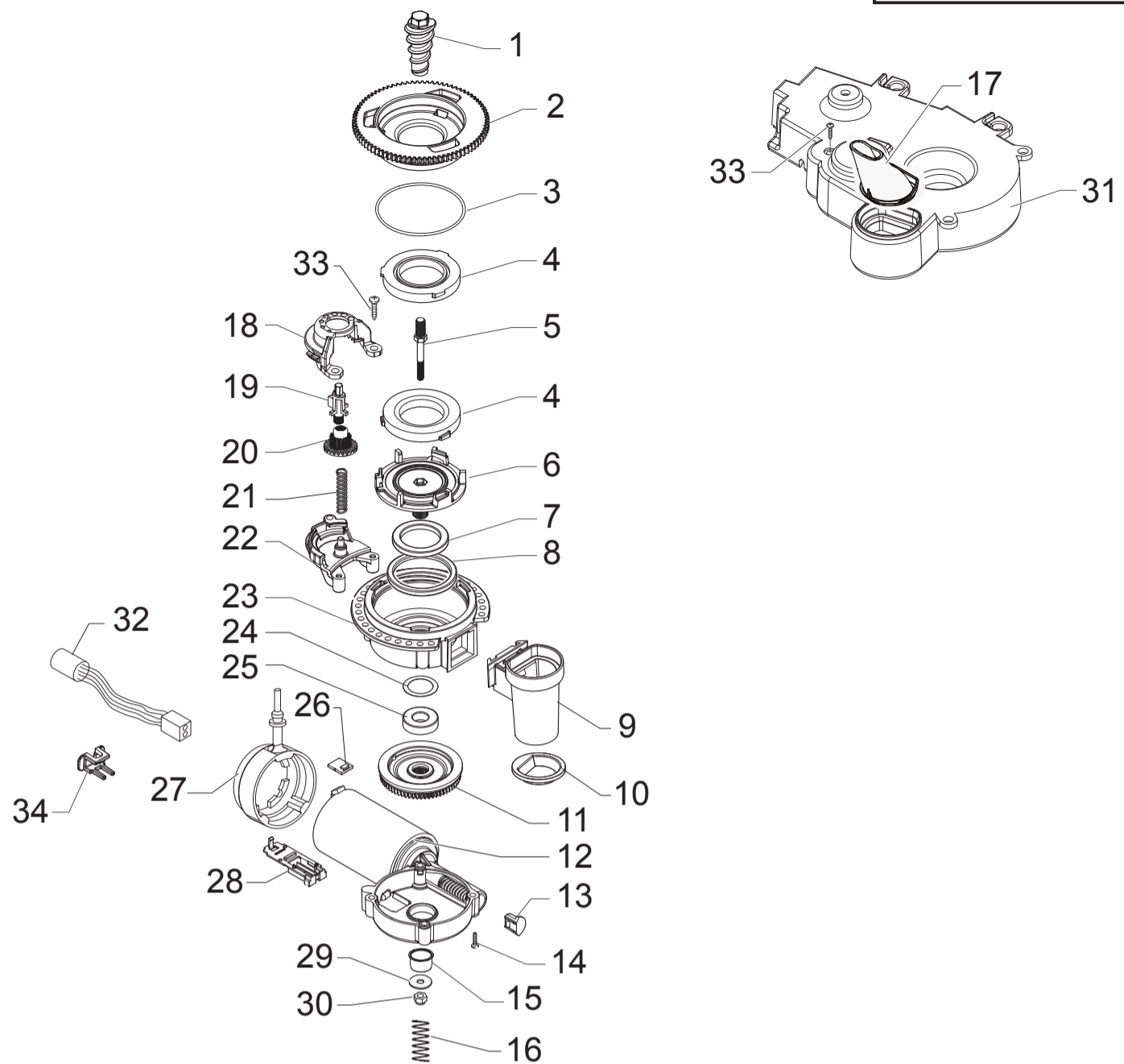


**Saeco** SUP031OR  
INTERNATIONAL GROUP



Cod.1000206-49-60-61-1340-41-1602-03  
Cod.10001604-05-06-07-08-09-1770-1855-2520

POS	CODE	DESCRIPTION	NOTE	POS	CODE	DESCRIPTION	NOTE
01	11004196	CHROMED UPPER STEAM TUBE COVER P0049		35	11000651	WATER LEVEL SENSOR BOARD P124	
02	11004197	CHROMED LOWER STEAM TUBE COVER P0049		36	11003670	BLACK TURBINE SUPPORT/V2 P0049	
03	129913902	SCREW TCB TORX 10 3X12 PLAST.ZN-B		37	JS01.022	SILICONE TUBE 5X10 60 SHORE	IN ROLL
04	11022486	TF/CHROM.STEAM TUBE V2 P0049/P0053 ASSY.		38	12000781	TURBINE D=1,2 932-8521/90 ASSY.	
05	11001625	STEAM TUBE HANDGRIP P0049		39	11005648	6 POLES CONNE.LEVEL+FLOWMETER P0049 UL	
06	11001620	BLACK PANNARELLO INTERNAL TUBE P0049		40	11006296	BLACK PUMP SUPPORT P0049 ASSY.	
07	11001769	BLACK PANNARELLO COVER P0049		41	11005668	2POLES CONNECTOR PUMP P0049 UL	
08	129913202	SCREW TCB TORX 10 3X8 PLAST.ZN-B		42	140321961	OR 2031 IN TERMOIL	
09	149360200	SILICONE TUBE 5X8 70SR	IN ROLL	43	12000140	ULKA PUMP EP5/S GW	230V-50HZ
10	11005096	FORK SPRING FOR VALVE P0049			12000130	ULKA PUMP EP5/S GW	100V-50/60HZ
11	129932502	GALVANIZDE SELF DRILLING SCREW 5X30			12000142	ULKA PUMP EAP5/S	120V-60HZ
12	129573202	SCREW TCB PH/TT 4X8 UNI 8112 ZNP			12000182	ULKA PUMP EP5/S GW	220V-60HZ
13	11008876	BRASS FAUCET BLOCK INSERT P0049/A		44	147920150	90°CONNECTOR PUMP INLET	
14	12000892	TECNOFIX CLAMP D=9,5 16700004		45	12000005	ANTIDISTURB FILTER 10A FNC 1005474103P	230V
15	12001615	OR 2025 IN EPDM PEROX.FOOD 70 SH			12000007	ANTIDISTURB FILTER 16A F.NC.16.10.474.472.P	120V
16	12001613	OR 108 IN EPDM PEROX.FOOD 70SH			12001363	QUICK-LOCK ANTIDISTURB FILTER 16A	100V
17	11001544	FAUCET CONNECTOR P0049		46	11001054	90°CONNECTOR PUMP OUTLET P0049/B	
18	16000380	5X8,9 SILICONE TUBE	IN ROLL	47	11001630	MILK ISLAND DESCARGING WATER CONNECT.	
19	12001614	OR 2012 IN EPDM PEROX.FOOD 70 SH		48	11005284	BLACKBOIL. CONNECTORS COVER P0049/P0053	
20	11004134	BRASS FAUCET SHAFT P0049		49	11002957	SS.FAUCET FOR SPRING P0049	
21	20000653	KIT SPARES CPU P0049 + FAUCET BOARD 3SEN	WITH PAR.N°14 TA.2		11025775	TEA/BRASS FAUCET V2 P0049-P0053 ASSY. WITH PART. N°16-17-19-20-22-23-24-26-49	
	11007569	TAP ELECTRONIC CARD G0053 ASSY. <b>FROM S/N. 9006SA40294418</b>			11001543	BLOWDOWN VALVE P0049 230V ASSY.	
22	11001499	FORK SPRING FOR FAUCET P0049			11005604	BLOWDOWN VALVE P0049 120V ASSY.	
23	11004625	TEA/BRASS FAUCET CASING P0049			11005751	BLOWDOWN VALVE P0049 100V ASSY.	
24	11025776	PLAST/BRASS FAUCET SHAFT V2 P0049 ASSY.			11009021	BLOWDOWN VALVE P0049 220V-60HZ ASSY. WITH PART. N°10-32-33-34	
25	NF11.052	OETIKER CLIP			11002031	ALUM.BOILER P0049/C 230V ASSY.	COMPLETE
26	11001546	FAUCET STRAIGHT CONNECTOR P0049			11005776	ALUM.BOILER P0049/C 120V ASSY.	COMPLETE
27	11001332	SUPPORT FOR BOILER-FAUCET-VALVE P0049			11005777	ALUM.BOILER P0049/C 100V ASSY.	COMPLETE
28	189428600	THERMOSTAT 175° 1NT-08L-5125			11009110	ALUM.BOILER P0049/C 220V-60HZ ASSY.	COMPLETE
29	11001751	THERMOSTATES SPRING FOR BOILER					
30	11011341	ALUM.BOILER/V4 ASSY.	230V-1300W				
	11011342	ALUM.BOILER/V4 ASSY.	120V-1300W				
	11011343	ALUM.BOILER/V4 ASSY.	100V-1300W				
31	190800100	TEMPERATURE SENSOR NTC UL L=280MM					
32	20000591	BLOWDOWN VALVE CASING P0049 ASSY.					
33	20000592	BLOWDOWN VALVE CONNECTOR P0049 ASSY.					
34	20000590	BLOWDOWN VALVE COIL P0049 ASSY.	230V				
	20000680	BLOWDOWN VALVE COIL P0049 ASSY.	120V				
	20000681	BLOWDOWN VALVE COIL P0049 ASSY.	100V				
	20000920	BLOWDOWN VALVE COIL P0049 ASSY.	220V-60HZ				

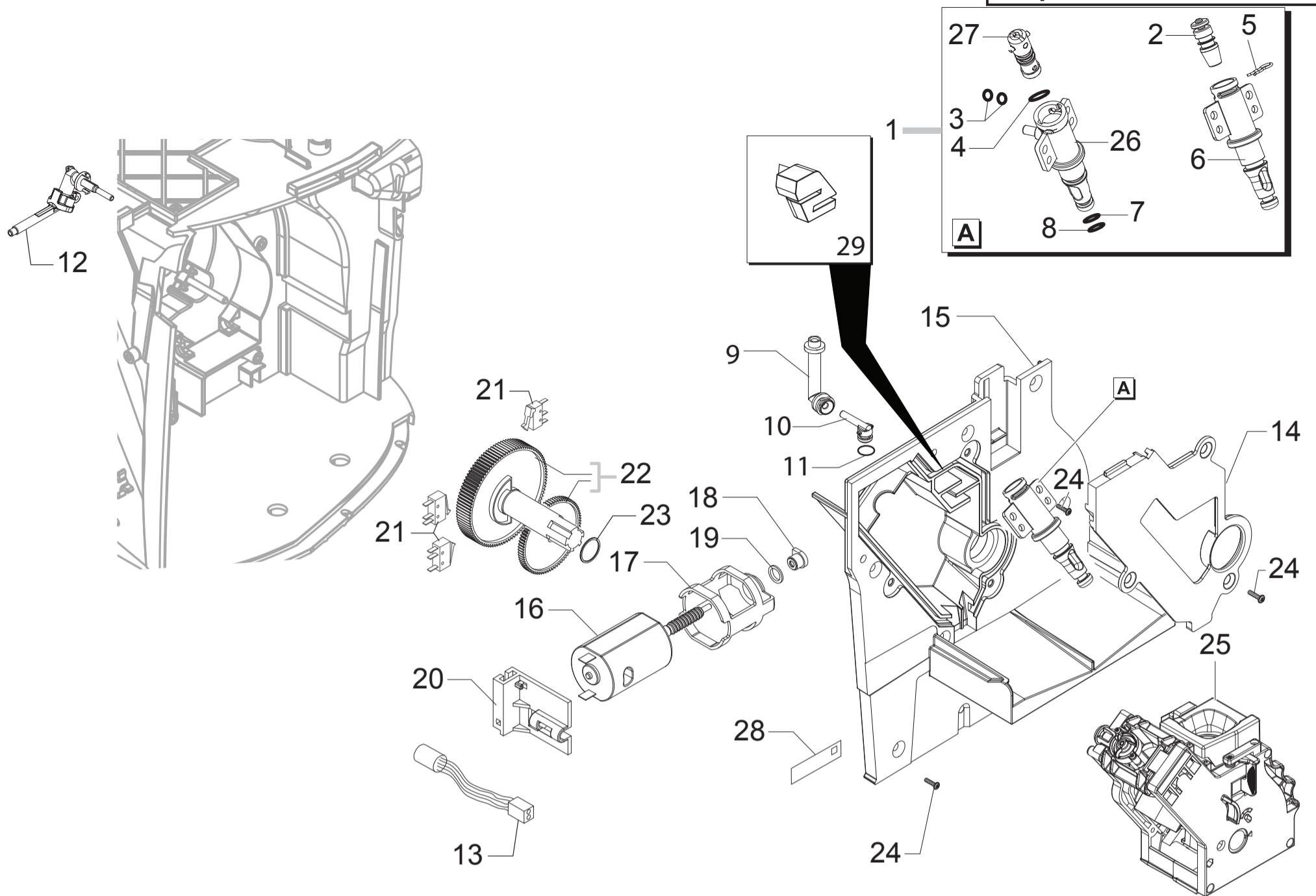


**Saeco** SUP031OR  
INTERNATIONAL GROUP



Cod.1000206-49-60-61-1340-41-1602-03  
Cod.10001604-05-06-07-08-09-1770-1855-2520

POS	CODE	DESCRIPTION	NOTE	POS	CODE	DESCRIPTION	NOTE
01	9141.001	SCREW OF INCREMENT					
02	149198250	UPPER GRINDER SUPPORT COFFEEGRINDER					
03	140328960	NBR FDA OR METRIC 0530-15					
04	146520100	BAKED CLAY GRINDER 48X28					
05	127473603	STEEL PIN M4-M6 FOR INCREMENT SCREW					
06	149198350	LOWER GRINDER SUPPORT COFFEEGRINDER					
07	123030300	AXIAL BEARING EKKO 342.35252					
08	140360500	FELT RING 45,4X39,4X4					
09	11026355	BLK GROUND COFF. OUTLET CONVEYOR V4 ASSY.					
10	11030459	GRY GROUND COFFEE CONT. LOWER SEAL SMART1					
11	226000300	GEAR SX Z=38 FOR GRINDER MOTION ASSY.					
12	11000513	MOTOR COFFEEGRINDER/V3.1 DOMEL ASSY	230V				
	11000511	MOTOR COFFEEGRINDER/V3.1 DOMEL ASSY	120V				
	11000512	MOTOR COFFEEGRINDER/V3.1 DOMEL ASSY	100V				
13	149214800	CAP FOR WORM SCREW MC/V3 CENTRING					
14	129661702	PANELVIT TCB SCREW 3,5X25 D.7505 ZN					
15	11002873	INSULATOR BUSH FOR GRINDER MOTOR P124					
16	11000597	COFFEE GRINDER SUPPORT SPRING P124					
17	11004199	CONVOGLIAT. CONDENZA GRUP. CAF. P0049 NER					
18	11002508	UPPER GEAR SUPPORT COFFEEGRINDER P124					
19	11003446	BLACK INSERT FOR COFFEE GRINDER P0049					
20	11003784	COFFEE GRINDING ADJUSTMENT GEAR P0049					
21	11002572	GRINDER REGULATION SPRING P124					
22	11002613	LOWER GEAR SUPPORT COFFEEGRINDER P124					
23	142905450	UPPER BODY WITH COFFE. GROUND OUTLET					
24	128381800	CRINKLE WASHER 21,8X15,8X0,2					
25	123030200	RADIAL BEARING 61900.2RS1					
26	181540900	ELECTRONIC BOARD WITH SENSOR HAL506					
27	11001367	BLACK COFFEE GRINDER SUPPORT P0049					
28	149199050	SENSOR SUPPORT FOR COFF. GRIND. MOTOR					
29	128381902	GALVAN. FLAT WASH. DI=4,3 DE=14 SP=1,5					
30	123453102	SELF LOCK NUT M4 DIN 982 HIGH GALV.					
31	11001826	SOUNDPR. COVER FOR COFGRINDER P0053					
32	11005658	5POLES CONNECTOR MC SENSORS P0049 UL					
33	129914002	SCREW TCB TORX 10 3,5X16 PLAST. ZN-B					
34	17001921	BLK WIRING FIX INSERT FOR GRINDER BOARD					
	11007416	GENERAL MOTOR MC V2 P0049 230V ASSY.					
	11007417	GENERAL MOTOR MC V2 P0049 120V ASSY.					
	11007418	GENERAL MOTOR MC V2 P0049 100V ASSY.					

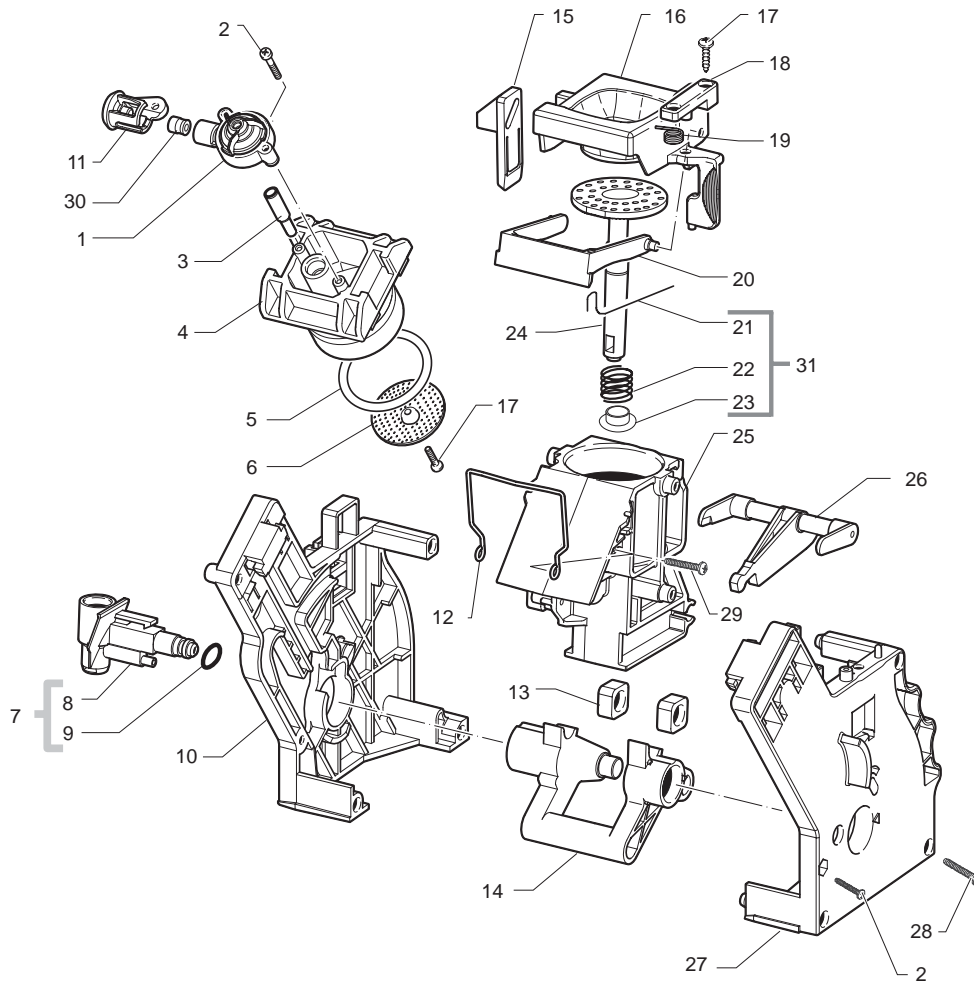


**Saeco** SUP031OR  
INTERNATIONAL GROUP



Cod.1000206-49-60-61-1340-41-1602-03  
Cod.10001604-05-06-07-08-09-1770-1855-2520

POS	CODE	DESCRIPTION	NOTE	POS	CODE	DESCRIPTION	NOTE
01	11005113	PIN V2 FOR BOILER P049/B ASSY.		26	11003801	<b>PIN V2 FOR BOILER P119</b>	
02	11000692	NIKELED BRASS CAP FOR PIN BOILER P119 <b>UP TO S/N.9007SA40002250</b>		27	11003820	<b>CAP V2 FOR PIN BOILER P119</b>	
03	140328059	OR 2015 IN SILICONE PTFE/FDA		28	11000651	<b>WATER LEVEL SENSOR BOARD P124</b>	
04	140324459	OR METRICO 0060-20 SILICON.PTFE/FDA		29	11022216	<b>BLACK MOUNTING PLATE COVER PROTECT.P0049</b>	
05	9011.144	FORK FOR TUBE D.4 <b>UP TO S/N.9007SA40002250</b>					
06		PARTICULARE NOT AVAILABLE <b>UP TO S/N.9007SA40002250</b>	SEE PART. N°01				
07	NM01.035	OR ORM 0090-20 SILICONE					
08	NM01.057	OR ORM 0050-20 SILICONE					
09	11004086	VALVE DESCARGING WATER 90° CONNECTOR					
10	11003648	COVER DESCARGING WATER 90° CONNECTOR					
11	140325462	OR METRIC 0070-20 IN SILICONE					
12	11003468	COFFEE DISPENSING VALVE P0049 ASSY. FINO MATR. 9006SA40292687					
	11007647	V3 COFFEE DISPENSING VALVE P0049 ASSY. <b>FROM S/N. 9006SA40292688</b>					
	11010544	V4 COFFEE DISPENSING VALVE P0049 ASSY. <b>WITH KIT COD.20005362</b>					
13	11003661	REED SENSOR MK3-1A66-BV16451					
14	11001312	BLACK COVER FOR VAIN BOILER P0049					
	11009284	BLACK COVER FOR VAIN BOILER P0049 UL					
15	11006337	BLACK COVER FOR MOUNTING PLATE P0049 AS					
	11009287	BLACK COVER MOUNTING PLATE P0049 UL ASSY					
16	11005214	MOTOR FOR RATIOMOTOR P124 ASSY.					
17	9121.044	ANTIVIBRATION FOR MOTOR					
18	9121.046	SINTERED BUSH FOR MOTOR					
19	148380200	WASHER BAKELIZZATE D=5,5					
20	11001331	BLACK MICROSWITCH SUPP. DUMP BOX P0049					
21	NE05.038	MICROSWITCH					
22	20000455	SPARES KIT GEARS FOR RATIOMOTOR P124 <b>UP TO S/N 9007SA40439137</b>					
	20000900	SPARES KIT GEARS FOR RATIOMOTOR V2 <b>FROM S/N. 9007SA40439138</b>					
23	9161.132	MYLAR WASHER FOR RATIOMOTOR					
24	129914102	SCREW K 35X12 WN 1423 GALVANIZED					
25	11002145	BLACK BREW UNIT 8GR. P124/SBS <b>SEE TAB. COD. EXPL. E90042 NEXT PAGE</b>					
	11012382	BLACK BREW UNIT 8GR.5BAR P0057 <b>SEE EXP.CODE E90067 LAST PAGE</b> <b>WITH COD. 11010544</b>					



**Saeco**  
INTERNATIONAL GROUP

## GRUPPO CAFFE' PRIMEA-TALEA-ODEA



Cod. 11002145

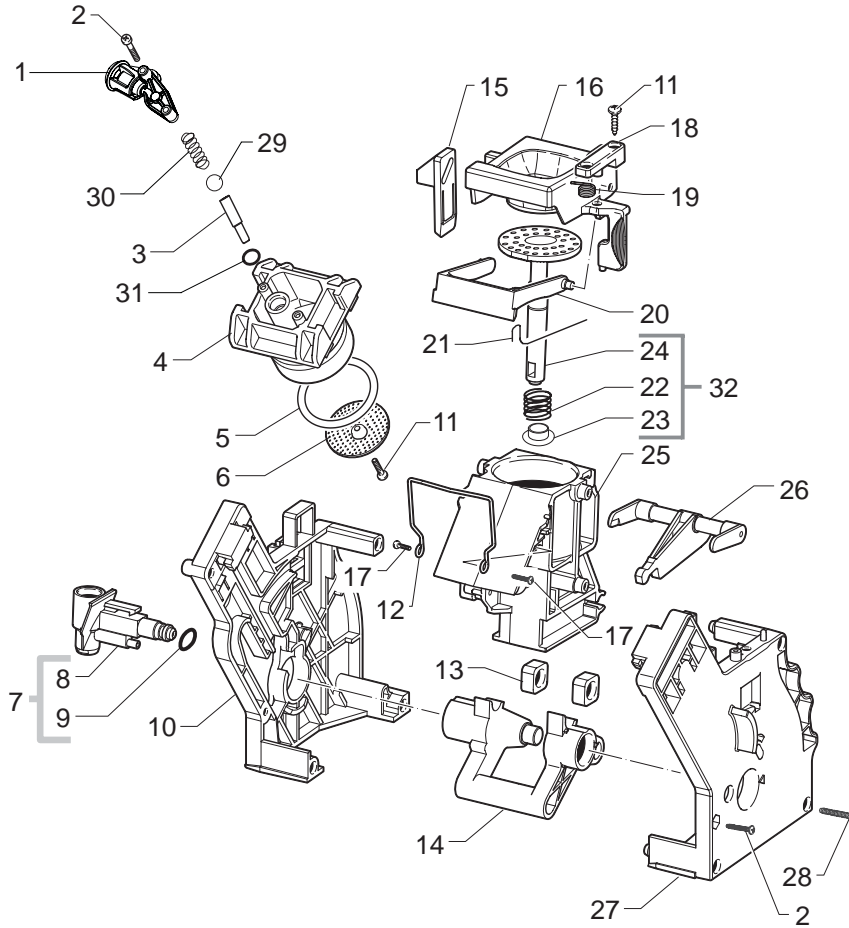
POS	CODICE	DESCRIZIONE	NOTE	POS	KODE	BESCHREIBUNG	NOTE
01	11010660	AS.VALVOLA SAECO BREWING SYSTEM STD		01	11010660	SAECO BREWING SYSTEM VALVE STD ASSY.	
02	12000550	VITE TCB 3X25 PLAST.INOX		02	12000550	SCREW TCB TORX 10 3X25 PLAST.SS	
03	11009276	TUBO X CONTROPIST.GRUPPO S0053 NERO		03	11009276	TUBE FOR COUNTER PISTON BREW UNIT S0053	
04	11001840	CONTROPISTONE GRUPPO P124 8GR. NERO		04	11001840	BLACK COUNTER PISTON BREW UNIT 8GR.P124	
05	NM01.044	OR ORM 0320-40 IN SILICONE PTFE/FDA		05	NM01.044	OR ORM 0320-40 IN SILICONE PTFE/FDA	
06	9161.268	DOCCIA DE=35,8 ELFO		06	9161.268	PERCOLATOR DE=35,8 ELFO	
07	20000440	AS.MANICOT.ENTRATAACQUA GRUP.CAFF.NER.		07	20000440	BLACK WATER INLET SLEEVE BREW UNIT ASSY.	
08	9161.064.050	MANICOT.ENTRATAACQUA GRUP.CAFF.NER.		08	9161.064.050	BLACK WATER INLET SLEEVE BREW UNIT	
09	NM02.007	OR 2025 TERMOIL		09	NM02.007	OR 2025 TERMOIL	
10	9161.375.050	PIASTRA POSTERIORE GRUPPO SMART NERO		10	9161.375.050	BLACK REAR PLATE FOR BREW UNIT SMART	
11	145899250	INSERTO CENTRAGGIO RAC.USCITA CAF.P124		11	145899250	CONNECTION COFFEE FOR P124 GROUP	
12	11001556	MOLLA RASATORE H=49 X GRUPPO CAF.SMART		12	11001556	SPRING H=49 FOR COFFEE BREW UNIT SMART	
13	9161.094.150	BLOCCHETTO FORATO GRUP.CAFFE' PA/GRIGIO		13	9161.094.150	GREY DRILLED BLOCK BREW UNIT	
14	9161.066.050	ALBERO A GOMITO X GRUPPO NERO		14	9161.066.050	ELBOW SHAFT FOR UNIT BLACK	
15	9161.373.050	PIASTRINA AGGANCIO GRUP.CAF.SMART NERO		15	9161.373.050	BLACK COUPLING PLATE BREW UNIT SMART	
16	149261350	TRAMOGGIA GRUPPO CAFFE' SMART1 NERO		16	149261350	BLACK HOPPER DOSER BREW UNIT SMART1	
17	12000895	VITE TSP 3X10 PLAST.INOX		17	12000895	SCREW TSP TORX 10 3X10 PLAST.SS	
18	9161.374.050	PIASTRA FISS.TRAMOG. GRUP.CAF.SMART NERO		18	9161.374.050	BLACK HOPPER BLOCKING PLATE UNIT SMART	
19	9161.378	MOLLA TRAMOGGIA GRUPPO CAFFE' SMART		19	9161.378	SPRING HOPPER SMART BREW UNIT	
20	11004161	RASATORE X GRUPPO CAFFE' NERO		20	11004161	BLACK SCRAPER FOR COFFEE UNIT	
21	9161.046	MOLLA X RASATORE GRUPPO		21	9161.046	SPRING FOR UNIT SCRAPER	
22	9161.198	MOLLA PISTONE GRUPPO CAFFE' 8GR.ACC.		22	9161.198	SS.8GR.BREW UNIT PISTON SPRING	
23	9161.191	BOCCOLA PISTONE GRUP.CAF.8GR.-12GR.BIA.		23	9161.191	WHITE 8GR.-12GR.BREW UNIT PISTON BUSH	
24	11003077	AS.PISTONE INTEGRALE GRUP.CAF.8GR.NER.		24	11003077	BLACK 8GR.BREW UNIT INTEGR.PISTON ASSY.	
25	11003075	AS.CONT.CAF.C/BOCC.SALD.GRUP.P124 8G.NER		25	11003075	BLACK COFFEE CONTAINER BREW UNIT P124	
26	11003078	BIELLA X GRUPPO P124 8GR.NERO		26	11003078	BLACK CONNECTING ROD FOR UNIT P124 8GR.	
27	11005920	PIASTRA ANT.GRUPPO SMART S/F.NER.SER.NEW		27	11005920	BLACK FRONT PLATE BREW UNIT SMART S.SCR.	
28	12000897	VITE TCB 3,5X20 PLAST.INOX		28	12000897	SCREW TCB TORX 10 3,5X20 PLAST.SS	
29	129912521	VITE TCBR 3,5X14 PLAST.INOX		29	129912521	SCREW TCBR TORX 10 3,5X14 PLAST.SS	
30	145857962	GUARNIZ.INSERTO RACC.USCITA CAF.P124 NER		30	145857962	BLACK INSERT SEAL P124	
31	11023086	AS.GEN.PISTONE INTEGR.GRUP.CAF.8GR.NER.		31	11023086	BLK 8GR.BREW UNIT NTEGR.PISTON GEN.ASSY.	
	11002145	GRUPPO CAFFE' 8GR/SBS P124 NERO			11002145	BLACK BREW UNIT 8GR/SBS P124	

**Saeco**  
INTERNATIONAL GROUP

## GRUPPO CAFFE' P124 SBS 8 GR. NERO

Rev. 03 - 07/12/09

TAVOLA 1/1



POS	CODE	DESCRIPTION	NOTE	POS	CODE	DESCRIPTION	NOTE
01	11009362	BLACK COFFEE OUTLET SLEEVE S0053 ASSY.					
02	12000550	SCREW TCB TORX 10 3X25 PLAST.SS					
03	11009276	TUBE FOR COUNTER PISTON BREW UNIT S0053					
04	11001840	BLACK COUNTER PISTON BREW UNIT 8GR.P124					
05	NM01.044	OR ORM 0320-40 SILICONE PTFE/FDA					
06	9161.268	PERCOLATOR DE=35,8 ELFO					
07	20000440	BLACK SPARE SLEEVE UNIT					
08	9161.064.050	BLACK WATER INLET SLEEVE BREW UNIT					
09	NM02.007	OR 2025 TERMOIL					
10	9161.375.050	BLACK REAR PLATE FOR BREW UNIT SMART					
11	12000895	SCREW TSP TORX 10 3X10 PLAST.SS					
12	11001556	SPRING H=49 FOR COFFEE BREW UNIT SMART					
13	9161.094.150	GREY DRILLED BLOCK BREW UNIT					
14	9161.066.050	ELBOW SHAFT FOR UNIT BLACK					
15	9161.373.050	BLACK COUPLING PLATE BREW UNIT SMART					
16	149261350	BLACK HOPPER DOSER BREW UNIT SMART1					
17	129912521	SCREW TCB TORX 10 3,5X14 PLAST.SS					
18	9161.374.050	BLACK HOPPER BLOCKING PLATE UNIT SMART					
19	9161.378	SPRING HOPPER SMART BREW UNIT					
20	11004161	BLACK SCRAPER FOR COFFEE UNIT					
21	9161.046	SPRING FOR UNIT SCRAPER					
22	9161.198	PISTON SPRING BREW UNIT M5000					
23	9161.191	NEUTRAL PISTON BUSH BREW UNIT M5000					
24	11003077	BLACK INTEGRAL PISTON UNIT P124 8GR.ASS					
25	11003075	BLACK COFFEE CONTAINER BREW UNIT P124	WITH PART. N° 12				
26	11003078	BLACK CONNECTING ROD FOR UNIT P124 8GR.					
27	11005920	BLACK FRONT PLATE BREW UNIT SMART S.SCR.					
28	12000897	SCREW TCB TORX 10 3,5X20 PLAST.SS					
29	9991.168	GLASS SPHERE D.5MM					
30	11012095	SPRING FOR CONTERPISTON UNIT S0053					
31	140328761	OR METRIC 0060-15 IN TERMOIL					
32	11023086	BLK 8GR.BREW UNIT NTEGR.PISTON GEN.ASSY.					
	11012382	BLACK BREW UNIT 8 GR.5 BAR S0053					