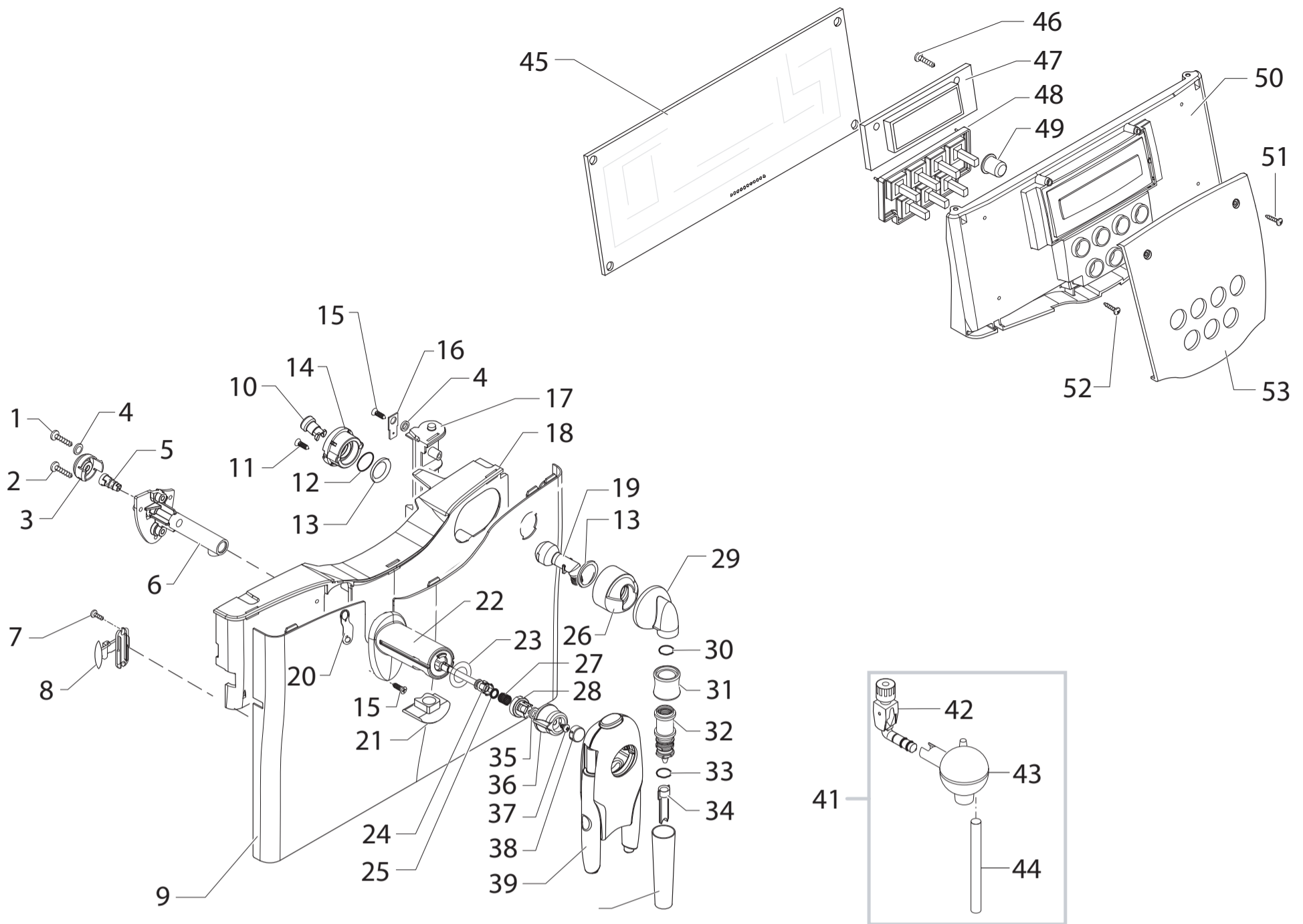


**Saeco** SUP 021 YBDR  
INTERNATIONAL GROUP



Cod. 10001421-22

POS	CODE	DESCRIPTION	NOTE	POS	CODE	DESCRIPTION	NOTE
01	142816500	WATER CONTAINER LID SMART NATURAL/GREY		42	11005062	SILVER 13 COVER SMART SIL/SCR.DELUXE CAP	
02	146580950	BLACK KNOB WATER CONTAINER LID SMAR		43	127573900	PLATE WITH LOGO SAECO ALLUM.DIAMOND	
03	144650800	WATER TANK FILTER		44	129660902	PANELVIT TCB SCREW 3,5X12 D.7505 Z	
04	149214359	BLACK CAP FOR FLOATING SPACE LAV.		45	NE03.038	BIPOLAR SWITCH FUSIT C1250AR	
05	9161.112.150	LEVEL FLOAT GREY		46	226481426	DOOR HINGE KIT SMART SILVER A13	WITH PART. N°47
06	140328461	EPDM OR METRIC 0190-10		47	129511903	SCREW TCB 2,9X6,4 DIN 7981 BZ NICK	
07	140324362	OR METRIC 0060-30 IN SILICONE		48	225920141	SILVER RIGHT HANDGRIP SMART	
08	126764718	SPRING FOR WATER CONTAINER VALVE		49	11001021	MATT SILVER CASING SMART	
09	147660562	GREY WATER VALVE CONTAINER PISTON		50	142816700	BEAN COFF.CONT.LID SMART NATUR/GREY	
10	222693500	WATER CONTAINER AS.SMART NATUR/GREY		51	227721800	GRIND.ADJUST.NATGREY KNOB SMART S/S	
11	129535721	SCREW TSP3,5X9,5 DIN 7982 SS		52	U142.005	PANELVIT TSP 4,5X16 DIN 7505 A GAL	
12	0701.031.150	SEAL COVER GREY		53	142714400	BEAN CONTAIN.NATURAL/GREY SMART DIG	
13	145842900	WATER CONTAIN.VALVE SEAL GACO DIM14		54	147472750	PIN FOR DEADLOCK SPRING SMART1 DIG.	
14	0701.014.150	SEAL CONTAINER GREY		55	126838818	SPRING FOR BEAN COFFEE CONTAINER	
15	175898600	UPPER TECHMATE INSERT FOR BOX SMART1		56	145854760	BEAN COFFEE CONTAINER SEAL SMART	
16	175897300	LOWER TECHMATE INSERT FOR BOX SMART1		57	145897300	INSERT GRINDING ADJUSTM.KNOB SMART	
17	178517600	DISPLAY BOX SAECO INCANTO S-CLASS		58	147757800	NATUR/GREY BEAN CONT.PROTECT.SMART	
18	179990300	BAND FOR LIFTING L=1550 H=300 MM		59	149252850	OPENING BUTTON BEAN CONTAINER COFFE	
19	127390100	BRUSH FOR CLEANING		60	126838918	SPRING FOR BUTTON BEAN CONTAINER COFF.	
20	148601650	1GROMMET FOR POWER CABLE SMART		61	229170450	SEALING SUPPORT AS.WATER DRIP TRAY	
21	12000381	SCREW TSP P22/TT M3X8 UNI 8109 ZINC		62	125743421	STAINLESS STEEL GRATE SMART	
22	149202550	BLACK SWITCH GENERAL SUPPORT SMART		63	11005555	BLACK DUMP BOX SMART SILK/SCREEN	
23	283551900	2 POLE LEVEL SENSOR AS.SMART 230V		64	229630826	SILVER A13 DRIP TRAY SMART	
24	149194650	SUPPORT WATER CONT. W/O LAMP HOUSING		65	229183726	SILVER A13 SUPPORT GRATE METAL SMART	
25	129910921	HI-LO TC SCREW 3X10 STEEL		66	145501211	RED FLOAT FOR DRIP TRAY SMART	
26	147623150	SQUARE ADHESIVE FOOT 5023 BLACK		67	0301.961	WATER HARDNESS TEST	
27	225920241	SILVER LEFT HANDGRIP SMART		68	145902250	BLACK INSERT FOR DECALCIFYING FILTER	
28	129912902	SCREW TCB TORX 10 AB 2,9X6,5 SHEET ZN-B		69	146680850	BLACK COFFEE MEASURE SMART	
29	220380259	ROTATING RING SMART WITH 3 FEET		70	223070200	ACC SAE AQUA PRIMA 1 UNIT	
30	9991.096	ADHESIVE FOOT 8X15X3,2		71	15000811	7L.INSTRUCT.MANUAL SAECO CAP.SUP021YBDR	
31	222802340	CUP WARMING LID SMART STAINSTEEL-SB		72	140320461	OR METRICO 0080-20 IN TERMOIL	
32	U046.003	SCREW TCBC M4,0X12 INDENT. WASH.8		73	149213000	CAP FOR KNOBS BEAN CONTAINER	
33	129661204	SCREW PANELVIT TCB 3X16 DIN7505 BRU		74	11005044	SAECO KLUBER TRIBOSTAR SIL 2 TUBE 5GR.	
34	128310321	WASHER UNI 8842 A3 SS		75	129512504	SCREW TCB 2,9X9,5 DIN 7981 BURN	
35	147755800	INTERNAL CASING PROTECTION POWER CABLE					
36	222802400	GROUND COF.CONT.LID CLASSIC NATGREY					
37	149261500	HOPPER GROUND COFFEE DOSER SMART					
38	145854360	GROUND COFFEE CONT.SEAL UPPER SMART1					
39	129533202	SCREW TSPTORX T10 3,5X9,5 D7982 NI					
40	227751808	CUPS PROTECTION SMART/DIG.CHROMED					
41	U143.018	SCREW TORX TCB 3,5X16 F TIP BL					

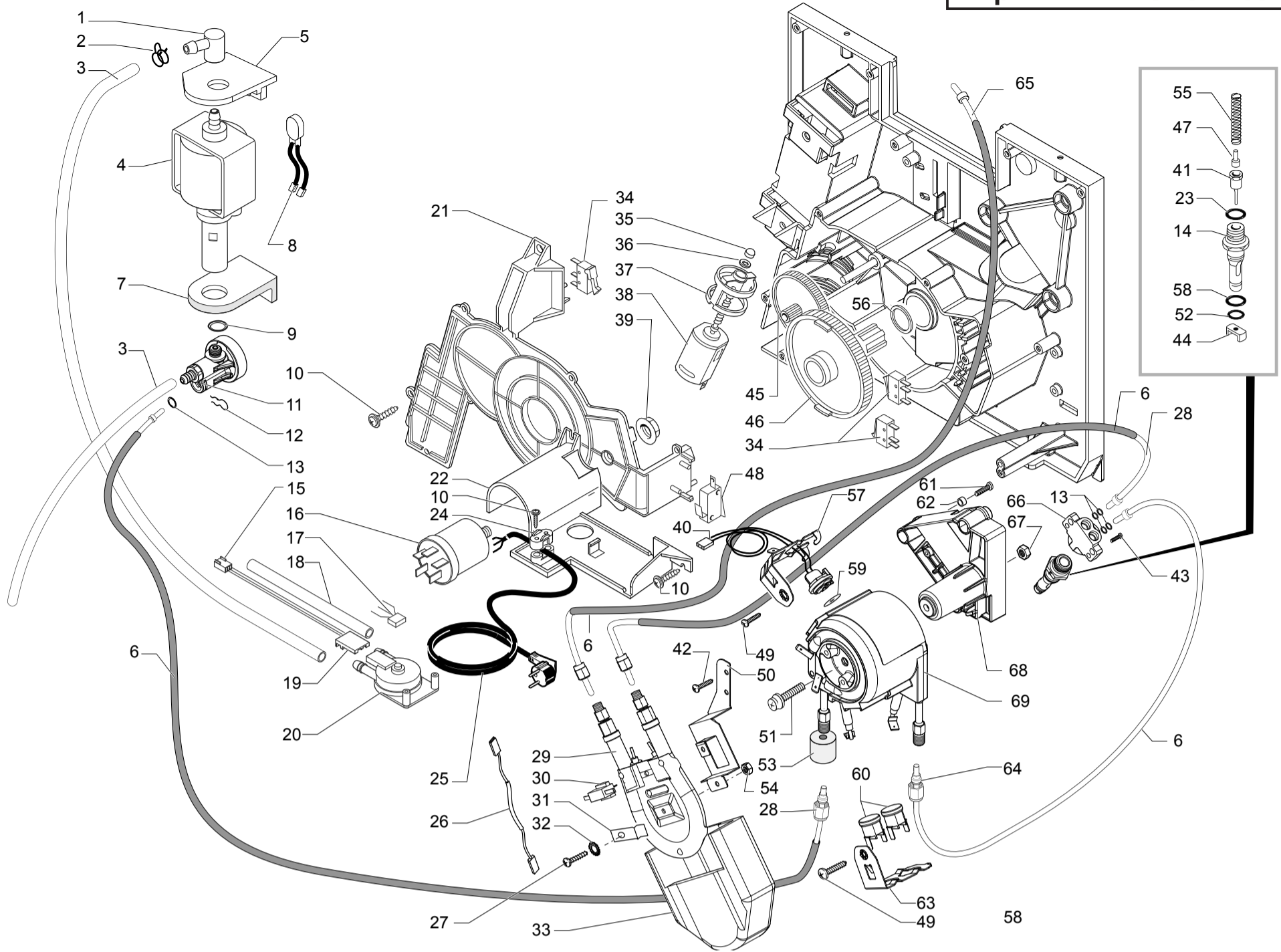


**Saeco** SUP 021 YBDR  
INTERNATIONAL GROUP



Cod. 10001421-22

POS	CODE	DESCRIPTION	NOTE	POS	CODE	DESCRIPTION	NOTE
01	129571121	SCREW TCB PH/SW 3X14 UNI 8112 INOX		42	227910950	CONNECTOR ASS.FOR CAPPUCCINATORE	
02	129910921	HI-LO TC SCREW 3X10 STEEL		43	222520550	SPHERICAL CAPPUCCINATORE ASS.BLACK	
03	149213450	CAP FOR COFFEE DISPENSER TUBE		44	149360400	TRANSPARENT SILCONE TUBE 3,5X6 IN ROLL	
04	128310321	WASHER UNI 8842 A3 SS		45	181556500	ELECTRON.BOARD CPU SUP021YBDR 230V	
05	11002323	CONIC SEAL FOR COFFEE DISPENSER TUBE		46	129661302	PANELVIT TCB SCREW 3X8 DIN 7505 ZNP	
06	11002322	COFFEE DISPENSER TUBE FOR ADJUST.SHAFT		47	192200300	20x2 LCD WHITE DISPLAY FSTN	
07	129670302	PANE.TCB SCREW 2,9X9,5 TES.D=7,5 ZN		48	149253100	TOUCH PANEL 4+3 BUTTONS SMART DIGIT	
08	146313740	DISENGAGE LEVER GREY/SILVER DOOR SMART		49	229141008	BUTTON SMART DELUXE CHROMIUM PLATED	
09	11001009	GLOSS/SILVER DOOR METALL SMART		50	229171626	SUPPORT ELEC.CARD AS.021YBDR SILVER	
10	145896949	RETAINING INSERT TEFLON TUBE		51	129912202	SCREW TCB TORX T10 3X12 UNI 9786 ZN	
11	129571521	SCREW TCB PH/SW 3X18 UNI 8112 INOX		52	129660902	PANELVIT TCB SCREW 3,5X12 D.7505 Z	
12	140329162	OR 117 IN SILICONE 70 SH		53	224890626	SILVER A13 FRONT.PANEL SMART DELUXE ASS.	
13	148620900	SEMISPHERE SEAL FOR ARTICULAT.JOINT					
14	149200450	SUPPORT FOR ARTICULATED JOINT					
15	129562603	SCREW TSC PZ-B 2,9X9,5 UNI 6956 NI					
16	186400903	FLAT TABS 6,3 0210380440					
17	229183526	SUP.HINGE DOOR METAL.SMART SILV.A13					
18	229183126	SUPPORT DOOR METAL.SMART SILVER A13					
19	147922249	CONNECTOR FOR ARTICULATED JOINT					
20	127535820	BRASS PLATE FOR DOOR METALLIC SMART					
21	145854962	SEAL FOR COFFEE DISPENSER V2 SMART					
22	229184704	COFFEE DISPENSER SUPPORT WITH HOLE					
23	148380800	MYLAR WASHER DE=19 DI=12 SP=0,2					
24	140640200	CREAM ADJUSTMENT SHAFT					
25	140326661	OR METRIC 0040-20 IN EPDM					
26	228660204	CONNECTOR FOR STEAM TUBE					
27	126772518	SPRING FOR CREAM ADJUSTMENT SHAFT					
28	149198700	SUPPORT CREAM ADJUSTMENT SHAFT					
29	228660304	CONNECTOR FOR STEAM TUBE					
30	140324461	OR METRIC 0060-20 IN TERMOIL					
31	147757050	BLACK STEAM TUBE PROTECTION SMART2					
32	222270249	UPPER TUBE ASS.FOR PANNARELLO					
33	140320762	OR 108 IN SILICONE					
34	4301018000	LOWER INTERNAL PIPE					
35	U207.003	PLAIN WASHER 3,2X7 UNI 6592 GAL					
36	227701104	CREAM ADJUSTM.KNOB GLOSS CHR.PLATED					
37	129512503	SCREW TCB 2,9X9,5 DIN 7981 NICK					
38	229200250	BLACK CAP FOR KNOB CREAM ADJUSTMENT					
39	223701026	SILVER/A13 COFFEE DISPENSER SMART ASSY.					
40	122842121	EXTERNAL COVER ST.STEEL PANNAR.G100					
41	11005064	BLACK GEN.SPHERICAL CAPPUCCINATORE ASS.					

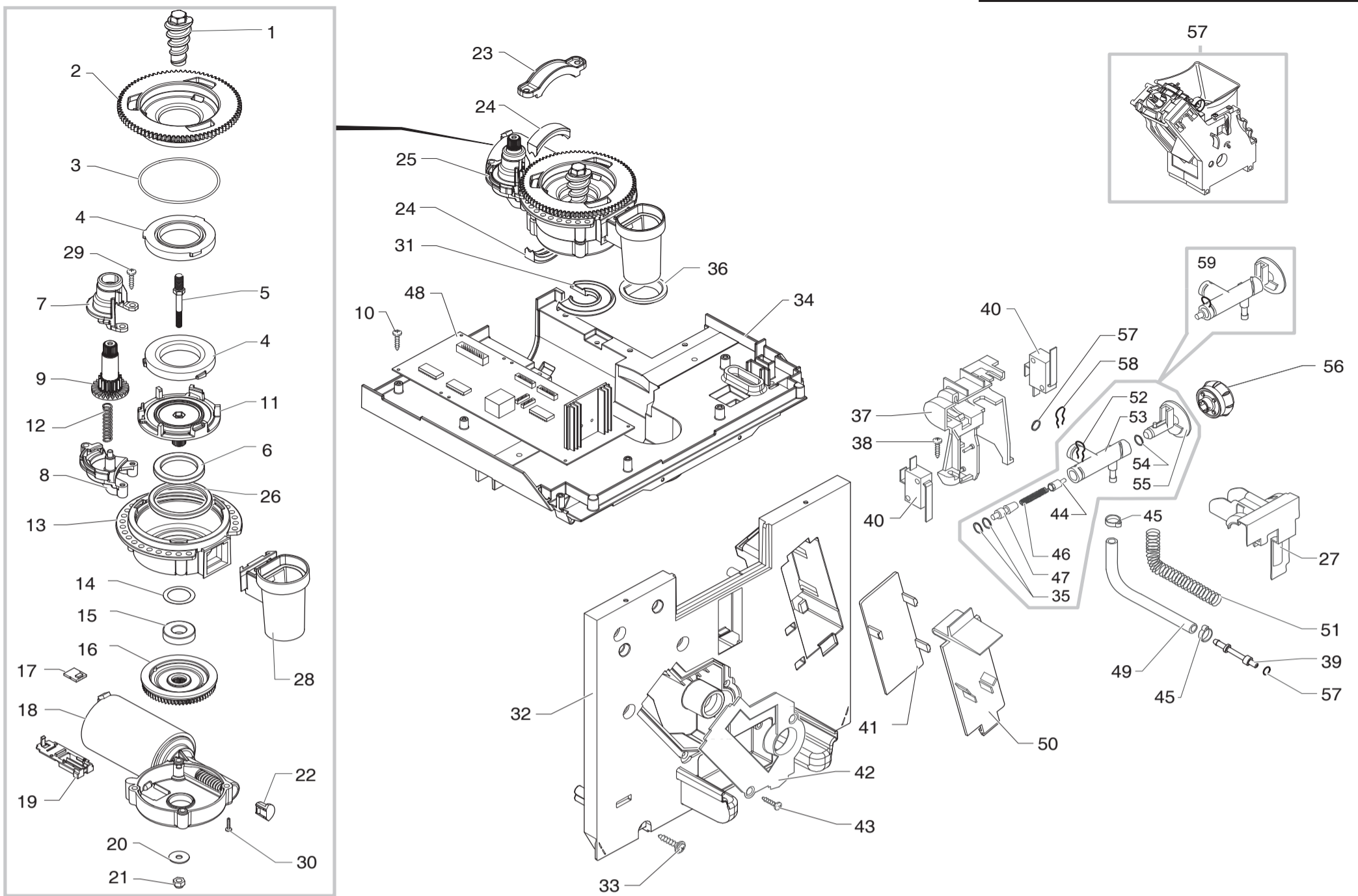


**Saeco** SUP 021 YBDR  
INTERNATIONAL GROUP



**Cod. 10001421-22**

POS	CODE	DESCRIPTION	NOTE	POS	CODE	DESCRIPTION	NOTE
01	147920150	90°CONNECTOR PUMP INLET		42	129573402	SCREW TAPT M4X10 DIN 7985 GALV	
02	184320200	SPRING HOSE CLAMP D=9,5MM		43	129910103	HI -LO TC SCREW 3,5X15 RIF.910189	
03	149360200	SILICONE TUBE 5X8 70SR IN ROLL		44	11005099	NATURAL CURSOR V2 FOR BOILER P119	
04	12000140	ULKA PUMP EP5/S GW	230V-50HZ	45	9121.042	GEAR Z.12/90	
05	149205710	PUMP SUPPORT HOLE 13,2 RED		46	9121.069.150	GEAR Z=108 FOR MOUNTING PLATE M4000	
06	149361200	BLACK SILICONE TUBE 7,5X9,3 IN ROLL		47	11009013	TEA/BRASS PIN FOR PISTON L=10	
07	149185850	EATON PUMP SUPPORT MAGIC 4002012		48	186723800	MICROSWITCH SAIA X3M502K2KAM92AS	
08	0311.807	YELLOW HARNESS KLIXON JP 13	230V	49	129573202	SCREW TCB PH/TT 4X8 UNI 8112 ZNP	
09	NM02.028	OR 2015 EPDM FDA		50	129025002	BRACKET BOILER SMART SUPPORT	
10	129670202	PANE. TCB SCREW 3,5X16 TESTA D=8 Z		51	129932202	ROUND HEAD SCREW 10.9 M5X20 GALV	
11	229452100	COMPENSATION AND SAFETY VALVE 16BAR AS.		52	NM01.057	OR ORM 0050-20 SILICONE	
12	9011.144	FORK FOR TUBE D.4		53	147756562	PROTECTION FOR FOLK SPRING TUBE D=4	
13	140328059	OR 2015 IN SILICONE PTFE/FDA		54	U302.003	NUT HEXAGONAL M4 UNI 5588	
14	9011.100	PEG FOR VALVE IN PLASTIC		55	9011.132	SPRING FOR PIN	
15	283551300	3POLE CONNECT.AS.TURBINE JP18 SMART		56	9161.132	MYLAR WASHER FOR RATIOMOTOR	
16	184651100	ANTIDISTURB FILTER 0,47X2+1000Y2+0,5L		57	126838217	SENSOR FIXING SPRING	
17		PARTICULAR NOT AVAILABLE	SEE PART. N°20	58	NM01.035	OR ORM 0090-20 SILICONE	
18	JS01.022	SILICONE TUBE 5X10 60 SHORE IN ROLL		59	145951600	ELECTRIC INSULATING DISK D=16	
19	9161.018	BRACKET FOR TURBINE		60	189428200	THERMOSTAT 175° 1NT-08L-3794	
20	286473300	-M-VDE TURBINE WITH SENSOR KIT	CON PART. N°17	61	129932502	GALVANIZDE SELF DRILLING SCREW 5X30	
21	9161.331.920	TRANSPARENT RATIOMOTOR COVER		62	9161.206	INSULATING SPACER FOR BOILER	
22	149194800	TURBINE SUPPORT SMART		63	126838117	2 THERMOSTATS FIXING SPRING	
23	140320459	OR METRICO 0080-20 SILICON.PTFE/FDA		64	227876800	CONNECTOR TEFLON 2X4 L=235 MM ASSY.	
24	148600600	CABLE CLAMP V0 MAGIC ESP COMBI UL		65	227875400	CONNECTOR AS.TEFLON 2X4 L=330 MM	
25	NE01.120	BLACK POWER CABLE SCHUKO L=1500		66	147922700	BOILER SUPPORT CONNECTOR	
26	183440800	CABLE 1 WIRE SILIC.BLACK THERM/FUSE 229°		67	123453902	SELF-LOCKI.NUT M5X0,8 DIN 980 CLA.8	
27	129823802	TCB SCREW M4X8 UNI 7687 ZNP		68	149197700	SUPPORT FOR ALLUMINIUM BOILER SMART	
28	227874900	CONNECTOR AS.TEFLON 2X4 L=250 MM		69	282058858	ALUM.BOILER WITH RESISTANCE 1100W 230V	
29	288140458	HEATING-ELEMENT BLECKMAN ASSY.	230V-1000W				
30	189428300	THERMOSTAT 175° INTERCONTR.161471002			282135558	ALUM.BOILER 230V WITH RESISTANCE ASSY. WITH PART. N° 13-14-23-28-40-41-43-44-47-49-51-52-53-55-57-58-59-60-63-64-66-67-68-69	COMPLETE
31	127535319	GALV/STEEL THERMAL FUSE FIXING PLATE					
32	128310404	WASHER UNI 8842 A4 BURNISHED					
33	147755900	HEAT.ELEMENT PROTECTION BLECKM. SMART					
34	NE05.038	MICROSWITCH					
35	9121.046	SINTERED BUSH FOR MOTOR					
36	148380200	WASHER BAKELIZZATE D=5,5					
37	9121.044	ANTIVIBRATION FOR MOTOR					
38	11005214	MOTOR FOR RATIOMOTOR P124 ASSY.					
39	123453602	FLANGE NUT M8 TOOTHED BASE GALV.					
40	288582300	SENSOR ELECT.BOARD WITH CONNECTOR AS.					
41	11009019	TEA/BRASS PISTON L=20,9 ASSY.					

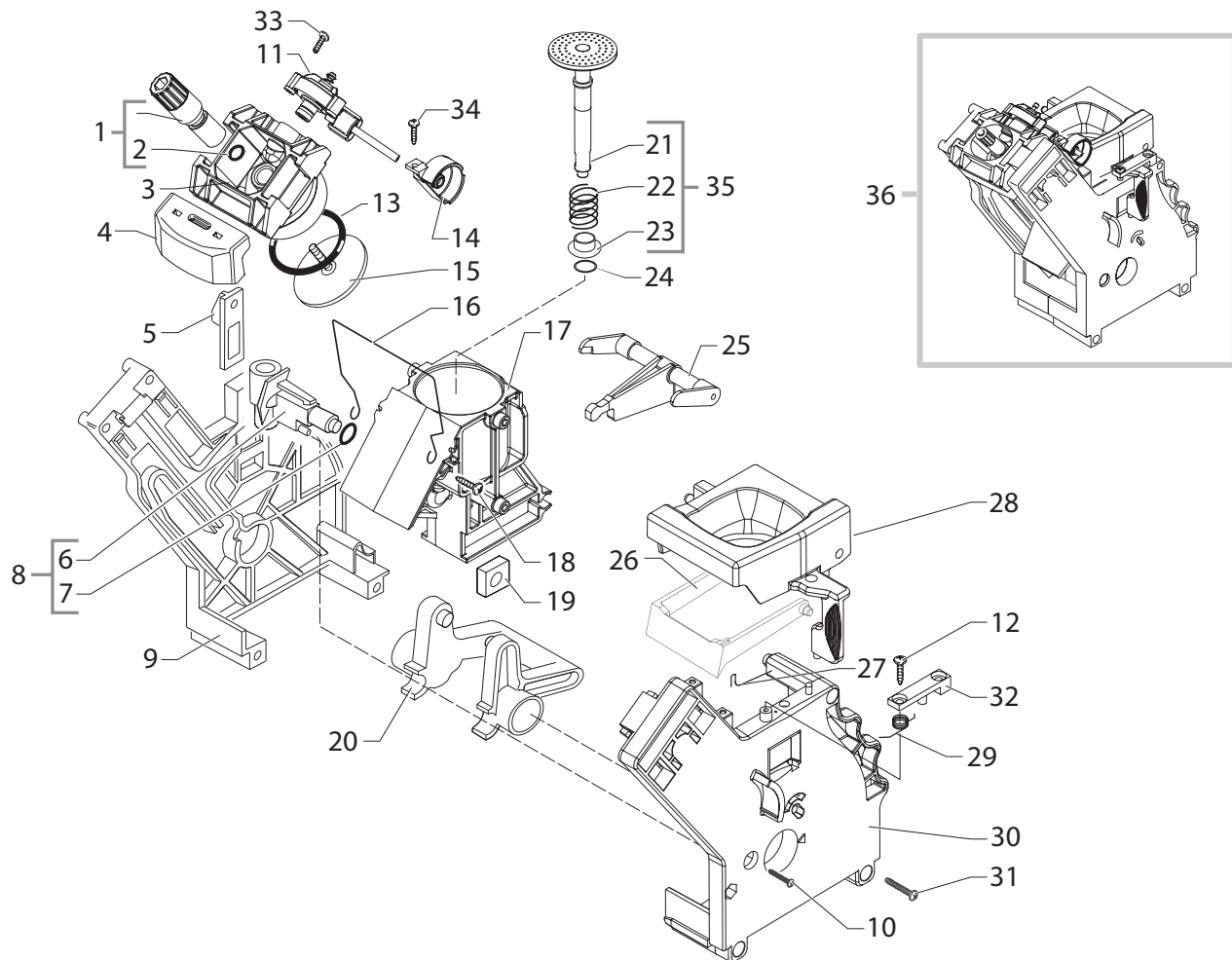


**Saeco** SUP 021 YBDR  
INTERNATIONAL GROUP



Cod. 10001421-22

POS	CODE	DESCRIPTION	NOTE	POS	CODE	DESCRIPTION	NOTE
01	9141.001	SCREW OF INCREMENT		41	9161.345.050	BLACK INTERNAL COVERING PUMP SPACE	
02	149198250	UPPER GRINDER SUPPORT COFFEEGRINDER		42	9161.333.050	BOILER BLACK COVER	
03	140328960	NBR FDA OR METRIC 0530-15		43	129535721	SCREW TSP3,5X9,5 DIN 7982 SS	
04	146520100	BAKED CLAY GRINDER 48X28		44		<b>PARTICULAR NOT AVAILABLE</b>	SEE PART.N°59
05	127473603	STEEL PIN M4-M6 FOR INCREMENT SCREW		45	NF11.052	OETIKER CLIP	
06	123030300	AXIAL BEARING EKKO 342.35252		46		<b>PARTICULAR NOT AVAILABLE</b>	SEE PART.N°59
07	149199750	UPPER GEAR SUPP. COFFEEGRINDER SMART		47		<b>PARTICULAR NOT AVAILABLE</b>	SEE PART.N°59
08	149199850	LOWER GEAR SUPP. COFFEEGRINDER SMART		48	11002814	POWER BOARD P120/V1 DL 230V	
09	146002150	COFFEE GRINDING ADJUSTMENT GEAR SMART		49	JS01.019	BRAIDED SILICON TUBE 3X7 IN ROLL	
10	129670202	TCB PANELVIT SCREW 3,5X16 TESTA D=8 ZNP		50	9161.332.050	BLACK EXTERNAL COVERING PUMP SPACE	
11	149198350	LOWER GRINDER SUPPORT COFFEEGRINDER		51	126772018	SPRING DI=7,5 FOR FABRIC FINISH TUB	
12	126772918	SPRING FOR ADJUSTMENT GRINDING GEAR		52		<b>PARTICULAR NOT AVAILABLE</b>	SEE PART.N°59
13	142905450	UPPER BODY WITH COFFE.GROUND OUTLET		53		<b>PARTICULAR NOT AVAILABLE</b>	SEE PART.N°59
14	128381800	CRINKLE WASHER 21,8X15,8X0,2		54		<b>PARTICULAR NOT AVAILABLE</b>	SEE PART.N°59
15	123030200	RADIAL BEARING 61900.2RS1		55		<b>PARTICULAR NOT AVAILABLE</b>	SEE PART.N°59
16	226000300	GEAR SX Z=38 FOR GRINDER MOTION ASSY.		56	227710904	STEAM KNOB ZAMAS CHROM.PLATED SMART	
17	181540900	ELECTRONIC BOARD WITH SENSOR HAL506		57	140328059	OR 2015 IN SILICONE PTFE/FDA	
18	11004354	MOTOR COFFEEGRINDER/V3.1 IME ASSY.	230V	58	9011.144	FORK FOR TUBE D.4	
19	149199050	SENSOR SUPPORT FOR COFF.GRIND.MOTOR		59	20007014	KIT STEAM FAUCET SMART ASSY.	COMPLETE
20	128381902	GALVAN.FLAT WASH.DI=4,3 DE=14 SP=1,5					
21	123453102	SELF LOCK NUT M4 DIN 982 HIGH GALV.					
22	149214800	CAP FOR WORM SCREW MC/V3 CENTRING					
23	144752300	DEADLOCK MOTOR FLANGE SMART1					
24	145854562	COFFEGRIND.MOTOR SUPPORT SEAL SMART1					
25	11000516	GENERAL MOTOR ASS.MC/V3.1 230V					
26	140360500	FELT RING 45,4X39,4X4					
27	147756400	PROTECTION FAUCET BODY WATER/STEAM					
28	11026355	BLK GROUND COFF.OUTLET CONVEYOR V4 ASSY.					
29	129914002	SCREW TCB TORX 10 3,5X16 PLAST.ZN-B					
30	129661702	PANELVIT TCB SCREW 3,5X25 D.7505 ZN					
31	145854662	COFEGRIND.MOTOR ANTIVIBR.SEAL SMART					
32	227533000	ASSEMBLY BOILER SUPPORT PLATE SMART					
33	11003426	BLACK BREW UNIT NEW/SBS SMART-V3					
34	11006440	BLACK GRINDER SUPPORT PLATE V3 SMART1	SEE PART.N°59				
35		<b>PARTICULAR NOT AVAILABLE</b>					
36	145854462	GROUND COFFEE CONT.SEAL LOWER SMART1					
37	11005343	BLACK FAUCET SUPPORT V2 SMART					
38	129660902	PANELVIT TCB SCREW 3,5X12 D.7505 Z					
39	227961303	STRAIGHT CONNECTOR					
40	186724200	MICROSWITCH SAIA X3M502K2KAJ32AV					



**Saeco**  
INTERNATIONAL GROUP

**SUP 021 SBS / INC 001-002**



**Cod. 11003426**

POS	CODICE	DESCRIZIONE	NOTE
01	227470150	AS.PERNO X DOCCIA COMPLETO NERO	
02	NM02.006	OR R5 TERMOIL	
03	11003428	CONTROPISTONE X GRUPPO CAFF.SMART NERO	
04	11000197	PROTEZIONE X SCHIZZI GRUPPO CAFFÈ SMART	
05	9161.373.050	PIASTRINA AGGANCIAMENTO GRUP.CAF.SMART NERO	
06	9161.064.050	MANICOTTO ENTRATA ACQUA GRUP.CAFF.NERO	
07	NM02.007	OR 2025 TERMOIL	
08	20000440	GRUPPO RICAMBIO MANICOTTO NERO	
09	9161.375.050	PIASTRA POSTERIORE GRUPPO SMART NERO	
10	12000550	VITE TCB 3X25 PLAST.INOX	
11	229452400	AS.GEN.VALV.SAECO BREWING SYSTEM SMART	
12	12000895	VITE TSP 3X10 PLAST.INOX	
13	NM01.044	OR ORM 0320-40 IN SILICONE PTFE/FDA	
14	149198850	SUPPORTO TUBO TEFLON GRUPPO SMART NER	
15	9160.075	AS.DOCCIA DE=35,8 ELFO C/VITE E DADO	
16	11001556	MOLLA RASATORE H=49 X GRUPPO CAF.SMART	
17	11003075	AS.CONT.CAFC/BOCC.SALD.GRUP.P124 8G.NER	CON PART.N°24
18	129912521	VITE TCBR 3,5X14 PLAST.INOX	
19	9161.094.050	BLOCCETTO FORATO GRUP.CAFFÈ PA/NERO	
20	9161.066.050	ALBERO A GOMITO X GRUPPO NERO	
21	11003077	AS.PISTONE INTEGRALE GRUP.P124 8GR.NERO	
22	9161.198	MOLLA PISTONE GRUPPO CAFFÈ M5000	
23	9161.191	BOCCOLA PISTONE GRUP.CAFF.M5000 NEUTRO	
24	NM02.018	OR METRICO 0090-25 IN TERMOIL	
25	11003078	BIELLA X GRUPPO P124 8GR.NERO	
26	11004161	RASATORE X GRUPPO CAFFÈ NERO	
27	9161.046	MOLLA X RASATORE GRUPPO	
28	149261350	TRAMOGGIA GRUPPO CAFFÈ SMART1 NERO	
29	9161.378	MOLLA TRAMOGGIA GRUPPO CAFFÈ SMART	
30	11005920	PIASTRA ANT.GRUPPO SMART S/F.NER.SER.NEW	
31	12000897	VITE TCB 3,5X20 PLAST.INOX	
32	9161.374.050	PIASTRA FISS.TRAMOGG.GRUP.CAF.SMART NERO	
33	U109.027	VITE TCB 2,9X19 LAMIERA INOX	
34	129910921	VITE TCB 3X10 PLAST.INOX	
35	11023086	AS.GEN.PISTONE INTEGR.GRUP.CAF.8GR.NER.	
36	11003426	GRUPPO CAFFÈ V3 SMART/NEW/SBS NERO	

POS	CODE	DESCRIPTION	NOTE
01	227470150	PIN BLACK ASS.FOR PERCOLATOR	
02	NM02.006	OR R5 TERMOIL	
03	11003428	BLACK COUNTERPISTON FOR SMART COF.UNIT	
04	11000197	PROTECTION FOR BREW UNIT SMART	
05	9161.373.050	BLACK COUPLING PLATE BREW UNIT SMART	
06	9161.064.050	BLACK WATER INLET SLEEVE BREW UNIT	
07	NM02.007	OR 2025 TERMOIL	
08	20000440	BLACK SPARE SLEEVE UNIT	
09	9161.375.050	BLACK REAR PLATE FOR BREW UNIT SMART	
10	12000550	SCREW TCB TORX 10 3X25 PLAST.SS	
11	229452400	SAECO BREWING SYSTEM VALVE SMART ASSY.	
12	12000895	SCREW TSP TORX 10 3X10 PLAST.SS	
13	NM01.044	OR ORM 0320-40 IN SILICONE PTFE/FDA	
14	149198850	BLACK SUPPORT TEFL. TUBE BREWUNIT SMART	
15	9160.075	PERCOLATOR DE=35,8 ELFO ASSY.	
16	11001556	SPRING H=49 FOR COFFEE BREW UNIT SMART	
17	11003075	BLACK COFFEE CONTAINER BREW UNIT P124	WITH PART.N°24
18	129912521	SCREW TCBR TORX 10 3,5X14 PLAST.SS	
19	9161.094.050	BLACK DRILLED BLOCK BREW UNIT	
20	9161.066.050	ELBOW SHAFT FOR UNIT BLACK	
21	11003077	BLACK INTEGRAL PISTON UNIT P124 8GR.ASS	
22	9161.198	PISTON SPRING BREW UNIT M5000	
23	9161.191	NEUTRAL PISTON BUSH BREW UNIT M5000	
24	NM02.018	OR ORM 0090-25 TERMOIL	
25	11003078	BLACK CONNECTING ROD FOR UNIT P124 8GR.	
26	11004161	BLACK SCRAPER FOR COFFEE UNIT	
27	9161.046	SPRING FOR UNIT SCRAPER	
28	149261350	BLACK HOPPER DOSER BREW UNIT SMART1	
29	9161.378	SPRING HOPPER SMART BREW UNIT	
30	11005920	BLACK FRONT PLATE BREW UNIT SMART S.SCR.	
31	12000897	SCREW TCB TORX 10 3,5X20 PLAST.SS	
32	9161.374.050	BLACK HOPPER BLOCKING PLATE UNIT SMART	
33	U109.027	SCREW TCB TORX 10 2,9X19 SHEET SS	
34	129910921	SCREW TCB TORX 10 3X10 SS	
35	11023086	BLK 8GR.BREW UNIT NTEGR.PISTON GEN.ASSY.	
36	11003426	BLACK BREW UNIT V3 NEW/SBS SMART	

**Saeco**  
INTERNATIONAL GROUP

**GRUPPO CAFFÈ SMART V3 NEW SBS NERO**

Rev. 03 - 23/11/09

TAVOLA 1/1