
**GAGGIA**®

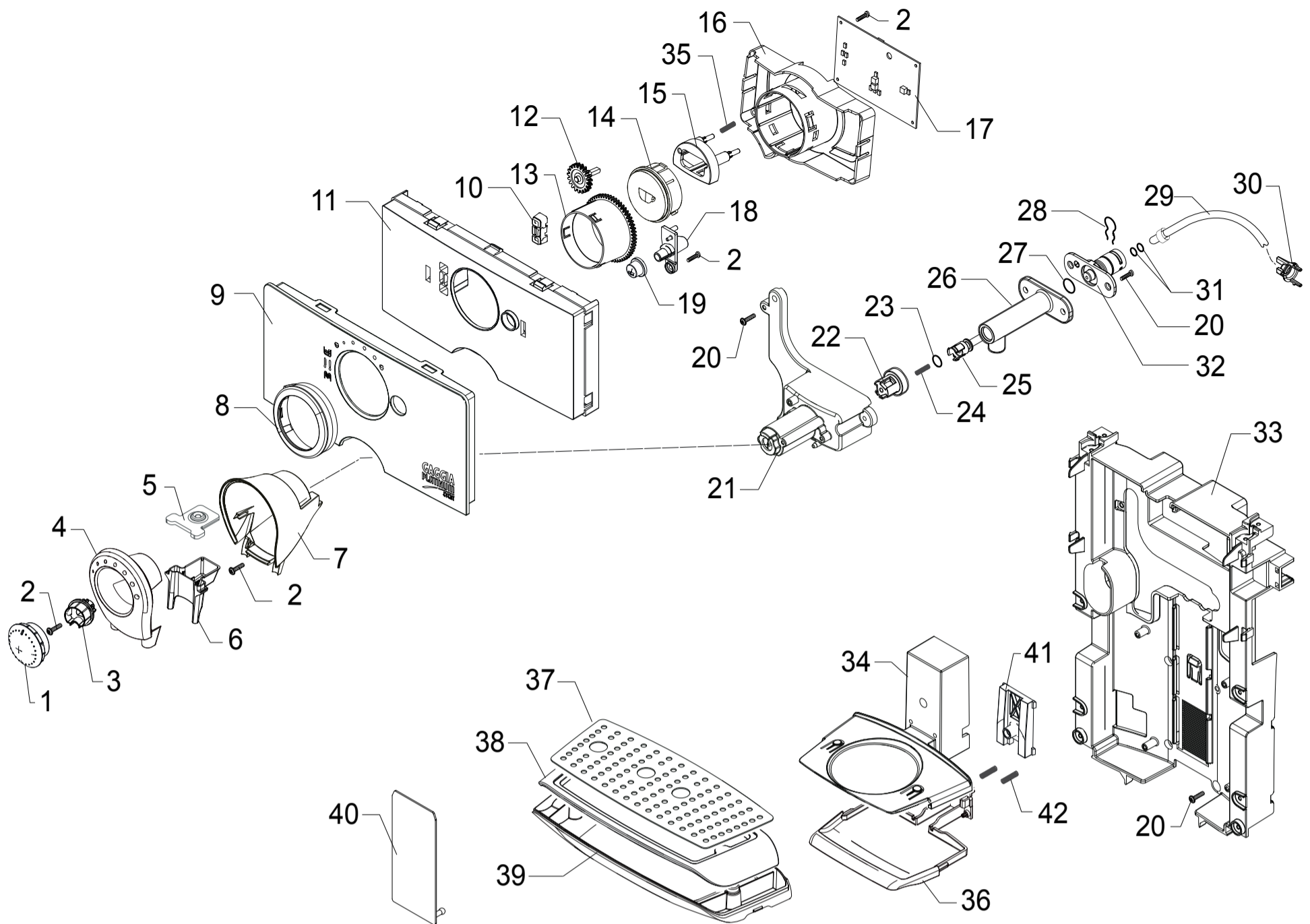
**SUP034PR**
**RI8173/60**

**Cod. 10001704-1951-2006-2572-2842**

POS	CODE	DESCRIPTION	NOTE	POS	CODE	DESCRIPTION	NOTE
01	15001115	MANUAL INSTRUCTIONS GAGGIA G0053/P D/I		34	11001339	TRANSPARENT INFRAREDS PLATE P0049	
	15001116	MANUAL INSTRUCTIONS GAGGIA G0053/P GB/F		35	129912702	SCREW PT TORX 3X10 WN 1411 GALVANIZ	
	15001117	MANUAL INSTRUCTIONS GAGGIA G0053/P E/P		36	11007605	2POLES CONNECTOR SENSOR REED DOOR G0053	
	15001118	MANUAL INSTRUCTIONS GAGGIA G0053/P NL/PL		37	11003154	BLACK REED SENSOR SUPPORT P0049	
	15001674	MANUAL INSTRUCTIONS GAGGIA G0053/P CHN		38	11007310	BLACK ON-OFF BUTTON INSERT P0049	
02	11005044	SAECO KLUBER TRIBOSTAR SIL 2 TUBE 5GR.		39	11011129	SPECCHIATO ON-OFF SWITCH BUTTON P0049	
03	11003785	BLACK GRINDER ADJUSTMENT KEY P0049		40	11007312	BLACK DRIP TRAY COFFEE UNIT G0053	
04	183911050	POWER CABLE SCHUKO BLACK L=1200		41	11003533	BLACK DUMP BOX P0049 ASSY	
	183930650	PO.CABL.CH BLACK 3X1 H05VV-F L=1200		42	11005046	BLACK INSIDE COVER DOOR G0053	
	183970350	BLACK POWER CABLE UK 3X1 H05VV-F L=1200		43	9161.111	MAGNET FOR FLOAT SUPERAUTOM.	
	183940650	BLACK POWER CABLE AUSTRALIA L=1200		44	11007317	BLACK DOOR G0053	
	11004247	BLACK POWER CABLE RVV 3X1 CHINA L=1200MM		45	11008956	SS SPRING FOR LOCK DOOR G0053	
05	11007279	BLACK WATER TANK OUTLET COVER G0053		46	11001340	BLACK DOOR PIN P0049	
06	11001668	NATURAL/GREY WATER CONTAINER LID P0053		47	11022788	PWR BOARD V2 P0053	230V
07	11007308	TITANIO FRONT CASING G0053/P ASSY		48	13000526	CARTON INSERT FOR BOX G0053	
08	11002017	TRANSPARENT WATER CONTAINER P0053 ASSY		49	149360300	SILCONE TUBE 7X10	IN ROLL
09	224640200	EXTERNAL FILTER FOR WATER CONTAINER ASSY	WITH PART.N°10				
10	140328461	EPDM OR METRIC 0190-10					
11	11003672	SPRING FOR WATER CONTAINER VALVE P0049					
12	11003673	GREY WATER CONTAINER VALVE INSERT P0049					
13	11003671	TRANSP.VALVE FOR WATER CONTAINER P0049					
14	11001298	BLACK LID FOR DUCKBILL VALVE P0049					
15	20006877	KIT PS-E INSERTS FOR BOX G0053					
16	129914002	SCREW TCB TORX 10 3,5X16 PLAST.ZN-B					
17	13000544	DISPLAY BOX G0053 GAGGIA PLATINUM					
18	11008094	NATUR/GREY GROUND COFF.CONTAIN.CAP G0053					
19	11007195	NATUR/GREY BEAN COFF.CONT.LID G0053 ASSY					
20	129661702	VIS TCB 3,5x30					
21	11004793	SB/STAINLESS STEEL CUP WARMING LID G0053					
22	11006037	BLACK SEAL FOR CUPWARMER G0053					
23	11007289	BLACK COVER CASING G0053					
24	11009191	BLACK POWER BOARD PROTECTION V2 P0049					
25	11007251	BLACK LEFT SIDE CASING G0053					
26	12000450	SCREW TCB TORX 10 3,5X12 PLAST.GALVANIZ					
27	11010717	SPECCHIATO WATER-STEAM KNOB P0049					
28	11030061	MOUNTING PLATE W/PIN V3 P0049 ASSY.					
29	12000280	CUP SOCKET EN 60320 C 13					
30	U140.001	SCREW TCB TORX 10 3,5X40 PLAST.ZN-N					
31	11007249	BLACK RIGHT SIDE CASING G0053					
32	11007060	GENERAL SWITCH FOR P124					
33	11000223	BLACK WHEEL FOR CASING BOTTOM P124					

**GAGGIA**®

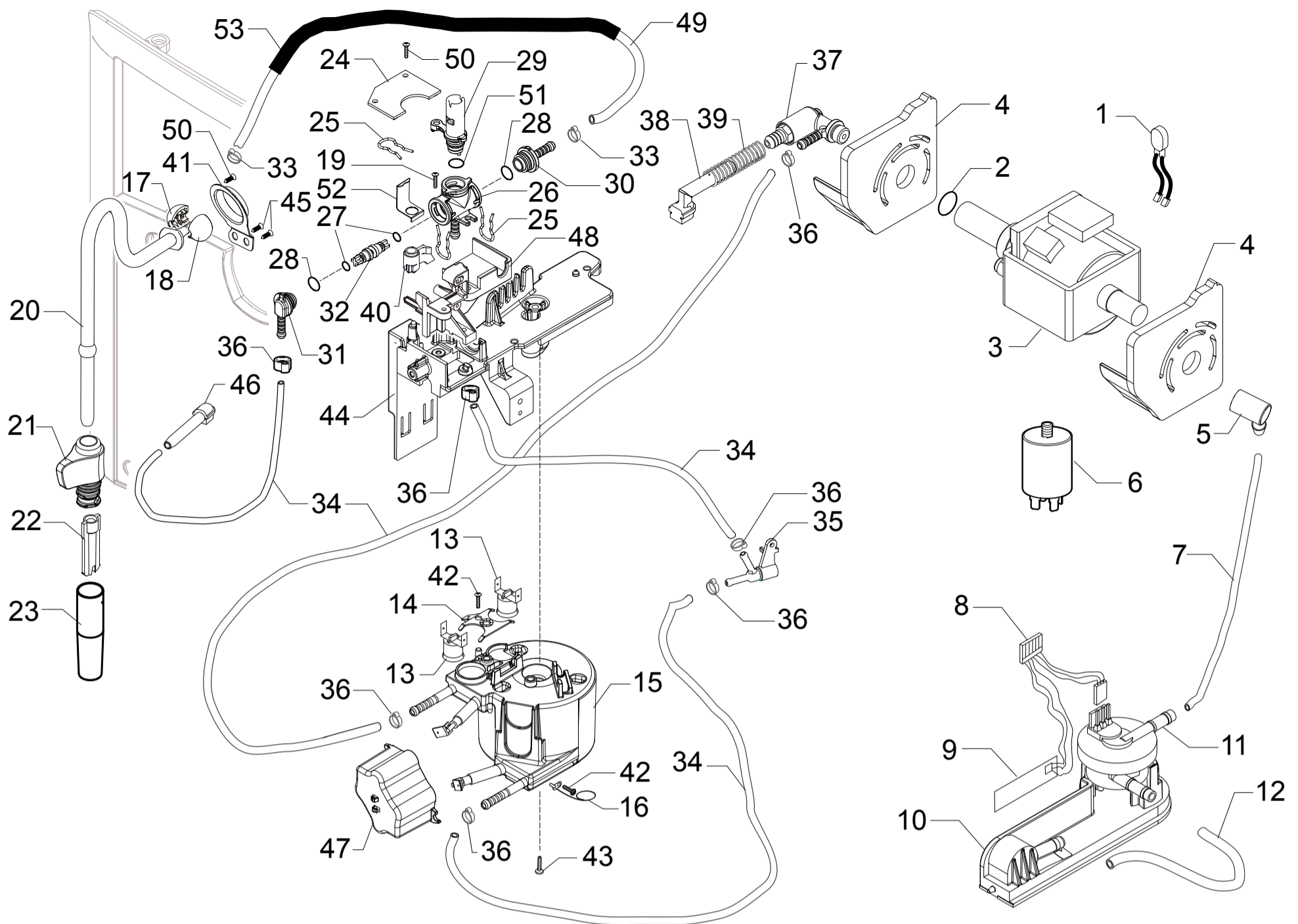
**GAGGIA PLATINUM EVENT**
**TABLE 1/5**


**GAGGIA®**
**SUP034PR**
**RI8173/60**

**Cod. 10001704-1951-2006-2572-2842**

POS	CODE	DESCRIPTION	NOTE	POS	CODE	DESCRIPTION	NOTE
01	11007214	TITANIO CREAM ADJUSTMENT KNOB G0053		42	11008956	SS SPRING FOR LOCK DOOR G0053	
02	129913202	SCREW TCB TORX 10 3X8 PLAST.ZN-B					
03	11007420	INTERNAL CONNECT.V2 FOR COFFEE DISPENSER					
04	11007333	TITANIO FRONT COFF.DISPENSER COVER G0053					
05	11002111	BLACK CAP COFFEE DISPEN.HEAD BODY P0053					
06	11002049	BLACK COFFEE DISPENSER BODY P0053					
07	11007179	TITANIO REAR COFFEE DISPENS.COVER G0053					
08	11004100	CHROMED HEIGHT REGULATION NUT P0049					
09	11012457	BLACK FRONT PLATE DISPLAY G0053/P ASSY.					
10	11008901	BLACK LIGHT GUIDE BODY G0053/A					
11	11007277	BLACK FRONT PANEL SUPPORT G0053/A					
12	11001320	BLACK GEAR Z=19 FOR P0049					
13	11002061	BLACK SUPPORT FOR RING NUT P0053					
14	11008239	BLACK COFFEE BUTTON P0049/A S.SCREEN					
15	11002066	BLACK COFFEE BUTTON SPACER P0053/A					
16	11002062	BLACK SUPPORT FOR BUTTONS P0053/A					
17	20003341	KIT SPARES CPU+SW V2 P0053/A-G0053/P ASS					
18	11004782	BLACK BUTTON FOR WATER G0053/A					
19	11008156	BLACK INSERT FOR STEAM BUTTON G0053/P					
20	12000450	SCREW TCB TORX 10 3,5X12 PLAST.GALVANIZ					
21	11005996	BLACK DISPENSING SUPPORT G0053					
22	149198700	SUPPORT CREAM ADJUSTMENT SHAFT					
23	140326661	OR METRIC 0040-20 IN EPDM					
24	126772518	SPRING FOR CREAM ADJUSTMENT SHAFT					
25	140640200	CREAM ADJUSTMENT SHAFT					
26	11000290	BLACK COFFEE DISPENSER TUBE P124					
27	12000070	OR ORM 0060-15 SILICONE					
28	9011.144	FORK FOR TUBE D.4					
29	11001766	TEFLON TUBE 2X4 L=125 MM ASSY.					
30	11006504	BLACK TUBE TEFLON INSERT G0053					
31	140328059	OR 2015 IN SILICONE PTFE/FDA					
32	11002130	FAST LOCK CONNECTOR FOR EROGATOR P0053					
33	11004741	BLACK DRIP TRAY GUIDE G0053					
34	11004795	CARBONA DRIP TRAY SUPPORT G0053					
35	11008956	SS SPRING FOR LOCK DOOR G0053					
36	11005115	CARBONA DRIP TRAY SUPPORT INSERT G0053					
37	11004773	SB/STAINLESS STEEL GRATE G0053					
38	11007316	TITANIO SUPPORT GRATE DRIP TRAY G0053					
39	11008881	BLACK DRIP TRAY G0053 ASSY.					
40	11003399	SPECCHIATO DRIP TRAY PROTECTION P0053					
41	148740600	SLIDE FOR DRIP TRAY P117					

**GAGGIA®**
**GAGGIA PLATINUM EVENT**
**TABLE 2/5**



# GAGGIA®

## SUP034PR

## RI8173/60



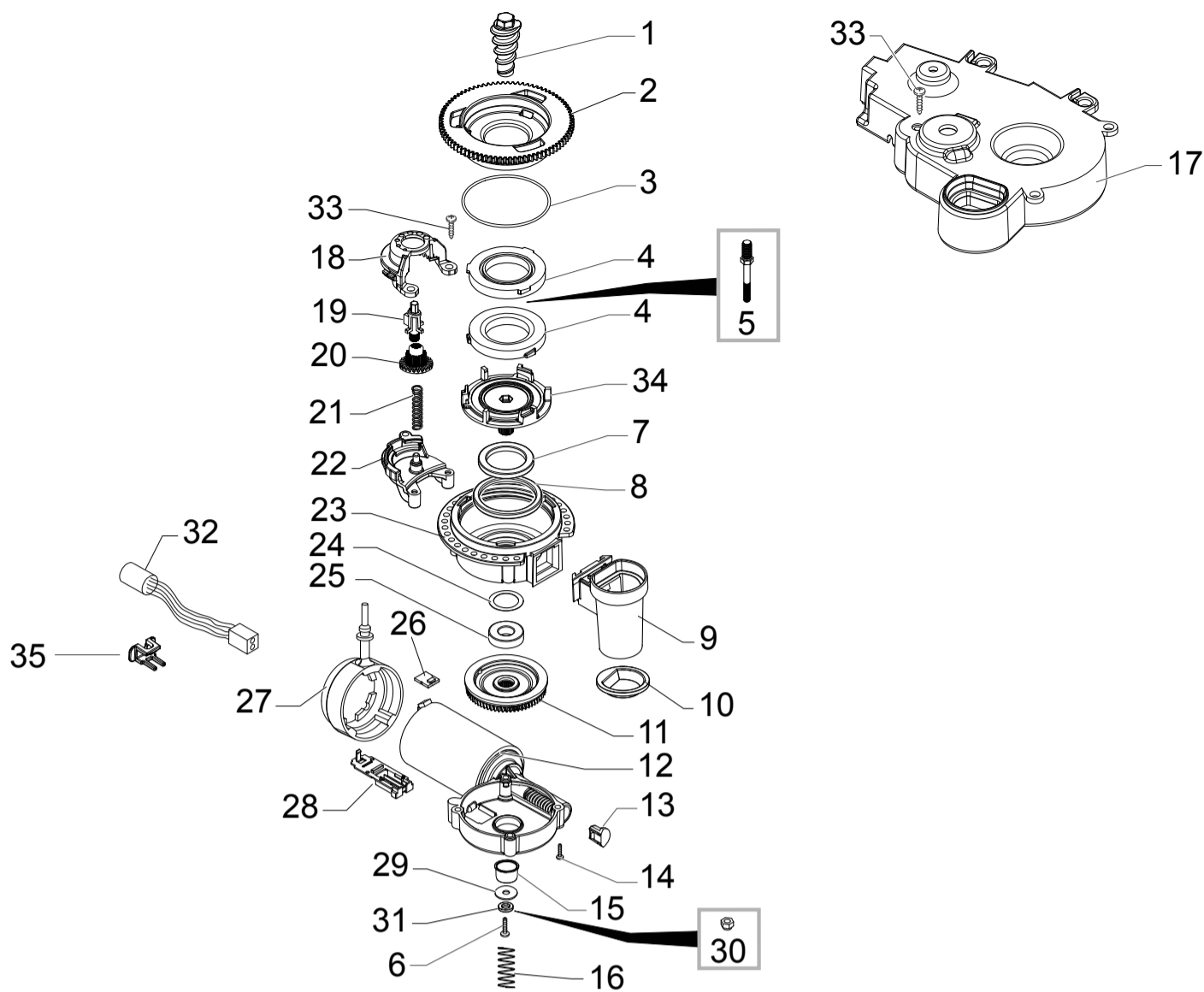
### Cod. 10001704-1951-2006-2572-2842

POS	CODE	DESCRIPTION	NOTE	POS	CODE	DESCRIPTION	NOTE
01	11005668	2POLES CONNECTOR PUMP P0049 UL		39	11005003	DESCARGING WATER CONNECTOR SPRING P0049	
02	140321961	OR 2031 IN TERMOIL		40	11008876	BRASS FAUCET BLOCK INSERT P0049/A	
03	12000140	ULKA PUMP EP5/S GW	230V-50HZ	41	4332055000	SUPPORT FOR SPHERAL UNION	
04	11006296	BLACK PUMP SUPPORT P0049 ASSY		42	12001715	SCREW TCB TORX 20 M4X8 AUTOFORMING ZN-B	
05	147920150	90°CONNECTOR PUMP INLET		43	129932502	SCREW TCEI 5X30 PLAST.ZN-B	
06	12000005	ANTIDISTURB FILTER 10A FNC 1005474103P		44	11001332	BLACK BOILER-FAUCET-VALVE SUPPORT P0049	
07	149360200	SILICONE TUBE 5X8 70SR	IN ROLL	45	U043.017	SCREW TCB TORX 10 M3X12 ZN-B	
08	11007550	6POLES CONNECTOR LEVEL+FLOWMETER G0053		46	11001630	MILK ISLAND DESCARGING WATER CONNECTION	
09	11000651	WATER LEVEL SENSOR BOARD P124		47	11005284	BLACKBOILER CONNECTORS COVER P0049/P0053	
10	11003670	BLACK TURBINE SUPPORT V2 P0049		48	11006022	BLACK FAUCET SUPPORT G0053	
11	12000781	TURBINE D=1,2 932-8521/90 ASSY		49	16000170	WHITE BRAIDED SILICON TUBE 3X6	IN ROLL
12	JS01.022	SILICONE TUBE 5X10 60 SHORE	IN ROLL	50	129913202	SCREW TCB TORX 10 3X8 PLAST.ZN-B	
13	189428600	TERMOSTAT 175° 1NT-08L-5126		51	12001615	OR 2025 IN EPDM PEROX.FOOD 70 SH	
		<b>UP TO S/N.9008GA40129106</b>		52	11002957	SS.FAUCET FOR SPRING P0049	
		<b>12001034</b>		53	149361200	BLACK SILICONE TUBE 7,5X9,3	IN ROLL
		<b>FROM S/N.9008GA40129107</b>					
14	11001751	THERMOSTATES SPRING FOR BOILER			11025775	TEA/BRASS FAUCET V2 P0049-P0053 ASSY. WITH PART. N°25-26-27-28-29-30-31-32-51	
15	11011341	ALUM.BOILER/V4 1300W 230V ASSY.	230V-1300W				
16	190800100	TEMPERATURE SENSOR NTC UL L=280MM			11007206	ALUM.BOILER G0053/P 230V ASSY	COMPLETE
17	11007189	BLACK LEFT INSERT FOR STEAM TUBE G0053					
18	11006922	BLACK RIGHT INSERT FOR STEAM TUBE G0053					
19	129913902	SCREW TCB TORX 10 3X12 PLAST.ZN-B					
20	11007323	SS STEAM TUBE + BLACK PANN.G0053/P ASSY.					
21	11007194	BLACK STEAM TUBE HANDGRIP G0053					
22	11001620	BLACK PANNARELLO INNER TUBE P0049					
23	11001769	BLACK PANNARELLO COVER P0049					
24	11007569	TAP ELECTRONIC CARD G0053 ASSY					
25	11001499	FORK SPRING FOR FAUCET P0049					
26	11004625	TEA/BRASS FAUCET CASING P0049					
27	12001614	OR 2012 IN EPDM PEROX.FOOD 70 SH					
28	12001613	O-RING 108 EPDM PEROX.FOOD 70 SH					
29	11025776	PLAST/BRASS FAUCET SHAFT V2 P0049 ASSY.					
30	11001546	FAUCET STRAIGHT CONNECTOR P0049					
31	11001544	BLACK FAUCET CONNECTOR P0049					
32	11004134	TEA/BRASS FAUCET SHAFT P0049					
33	NF11.052	OETIKER CLIP					
34	16000703	PLATINIC SILICONE TUBE 5X9,1 IN ROLL	IN ROLL				
35	11001330	BLACK CONNECTOR FOR PIN BOILER P0049					
36	12000892	OETIKER CLAMP D=9,5 16700004					
37	11004689	TEA/BRASS SAFETY VALVE 16-18 BAR ASSY.					
38	11001629	PUMP DESCARGING WATER CONNECTION P0049					

# GAGGIA®

## GAGGIA PLATINUM EVENT

### TABLE 3/5



# GAGGIA®

## SUP034PR

## RI8173/60



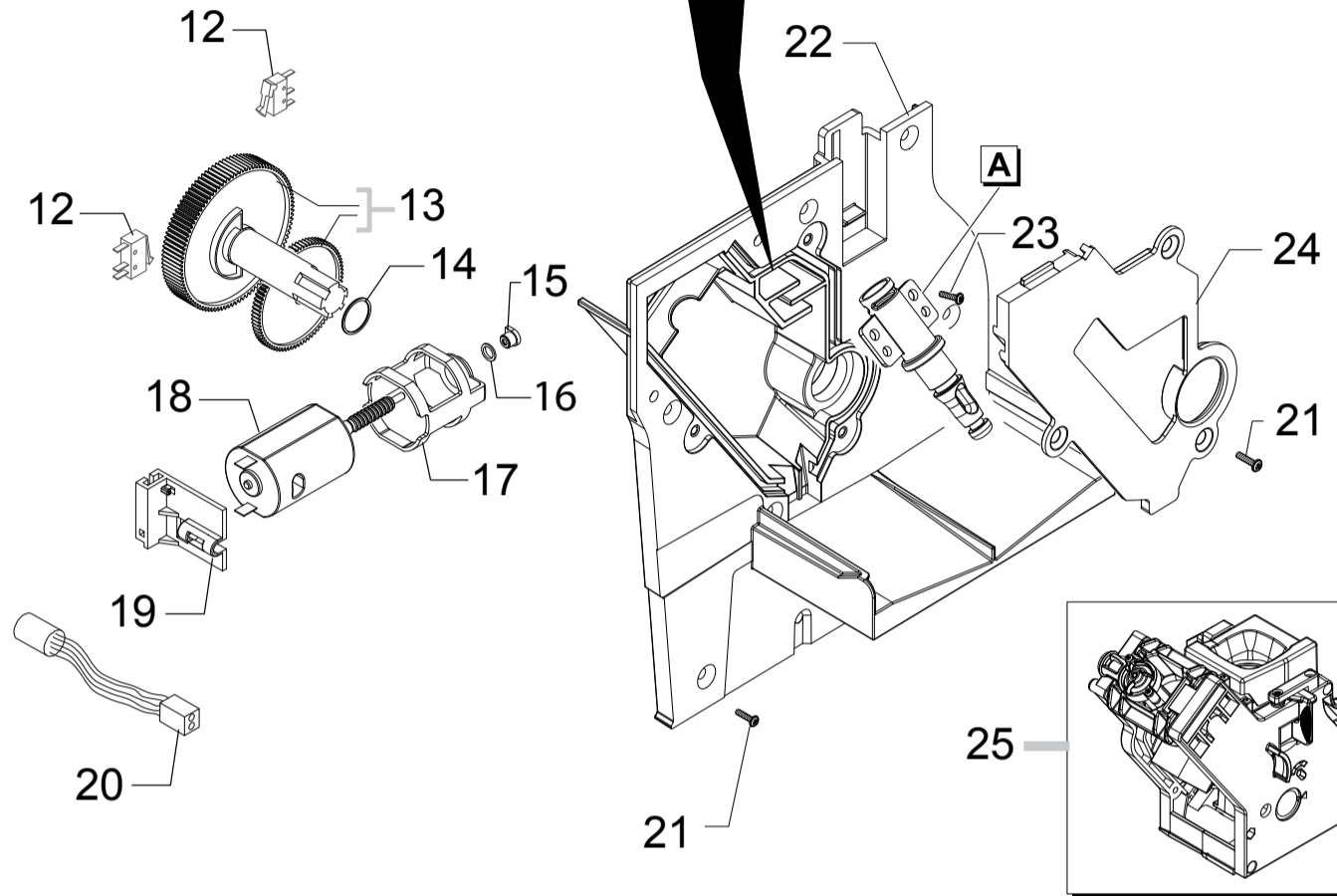
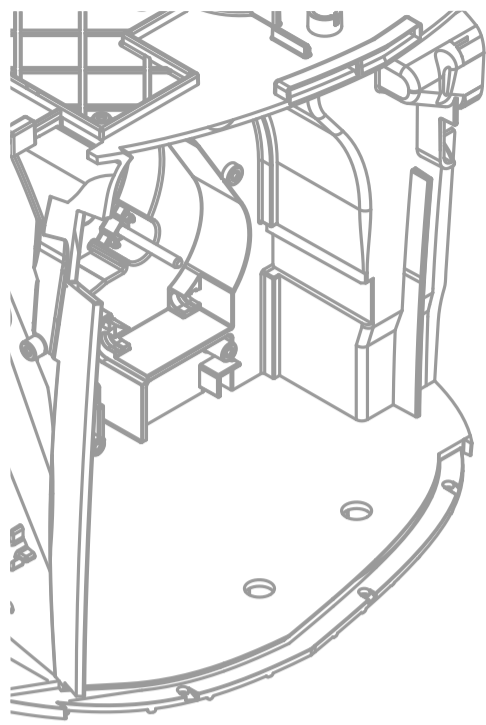
### Cod. 10001704-1951-2006-2572-2842

POS	CODE	DESCRIPTION	NOTE	POS	CODE	DESCRIPTION	NOTE
01	9141.001	BRASS INCREMENT SCREW MC <b>UP TO S/N.9008GA40111060</b>		34	149198350	LOWER GRINDER SUPPORT COFFEEGRINDER	
	11011205	TEA/ZAMA INCREASE SCREW GRINDER <b>FROM S/N.9008GA40111061</b>		35	17001921	BLK WIRING FIX INSERT FOR GRINDER BOARD	
02	149198250	UPPER GRINDER SUPPORT COFFEEGRINDER			11007416	GENERAL MOTOR MC V2 P0049 230V ASSY.	
03	140328960	NBR FDA OR METRIC 0530-15					
04	146520100	BAKED CLAY GRINDER 48X28					
05	127473603	STEEL PIN M4-M6 FOR INCREMENT SCREW <b>UP TO S/N.9008GA40111060</b>					
06	129574802	SCREW TCB TORX 20 M4X30 ZN-B <b>FROM S/N.9008GA40111061</b>					
07	123030300	AXIAL BEARING EKKO 342.35252					
08	140360500	FELT RING 45,4X39,4X4					
09	11026355	BLK GROUND COFF.OUTLET CONVEYOR V4 ASSY.					
10	11030459	GRY GROUND COFFEE CONT.LOWER SEAL SMART1					
11	226000300	GEAR SX Z=38 FOR GRINDER MOTION ASSY.					
12	11000513	MOTOR COFFEEGRINDER/V3.1 ASSY	230V				
13	149214800	CAP FOR WORM SCREW MC/V3 CENTRING					
14	129661702	SCREW TCB TORX 3,5X30 PLAST.ZN-B					
15	11002873	INSULATOR BUSH FOR GRINDER MOTOR P124					
16	11000597	COFFEE GRINDER SUPPORT SPRING P124					
17	11001826	SOUNDPROOFING COVER FOR COFGRINDER P0053					
18	11002508	UPPER GEAR SUPPORT COFFEEGRINDER P124					
19	11003446	BLACK INSERT FOR COFFEE GRINDER P0049					
20	11003784	COFFEE GRINDING ADJUSTMENT GEAR P0049					
21	11002572	GRINDER REGULATION SPRING P124					
22	11002613	LOWER GEAR SUPPORT COFFEEGRINDER P124					
23	142905450	UPPER BODY WITH COFFE.GROUND OUTLET					
24	128381800	CRINKLE WASHER 21,8X15,8X0,2					
25	123030200	RADIAL BEARING 61900.2RS1					
26	181540900	ELECTRONIC BOARD WITH SENSOR HAL506					
27	11001367	BLACK COFFEE GRINDER SUPPORT P0049					
28	149199050	SENSOR SUPPORT FOR COFF.GRIND.MOTOR					
29	128381902	GALVAN.FLAT WASH.DI=4,3 DE=14 SP=1,5					
30	123453102	SELF LOCK NUT M4 DIN 982 HIGH GALV. <b>UP TO S/N.9008GA40111060</b>					
31	128310402	GALV.WASHER UNI 8842 A4 <b>FROM S/N.9008GA40111061</b>					
32	11005658	5POLES CONNECTOR MC SENSORS P0049 UL					
33	129914002	SCREW TCB TORX 10 3,5X16 PLAST.ZN-B					

# GAGGIA®

## GAGGIA PLATINUM EVENT

### TABLE 4/5


**GAGGIA**®

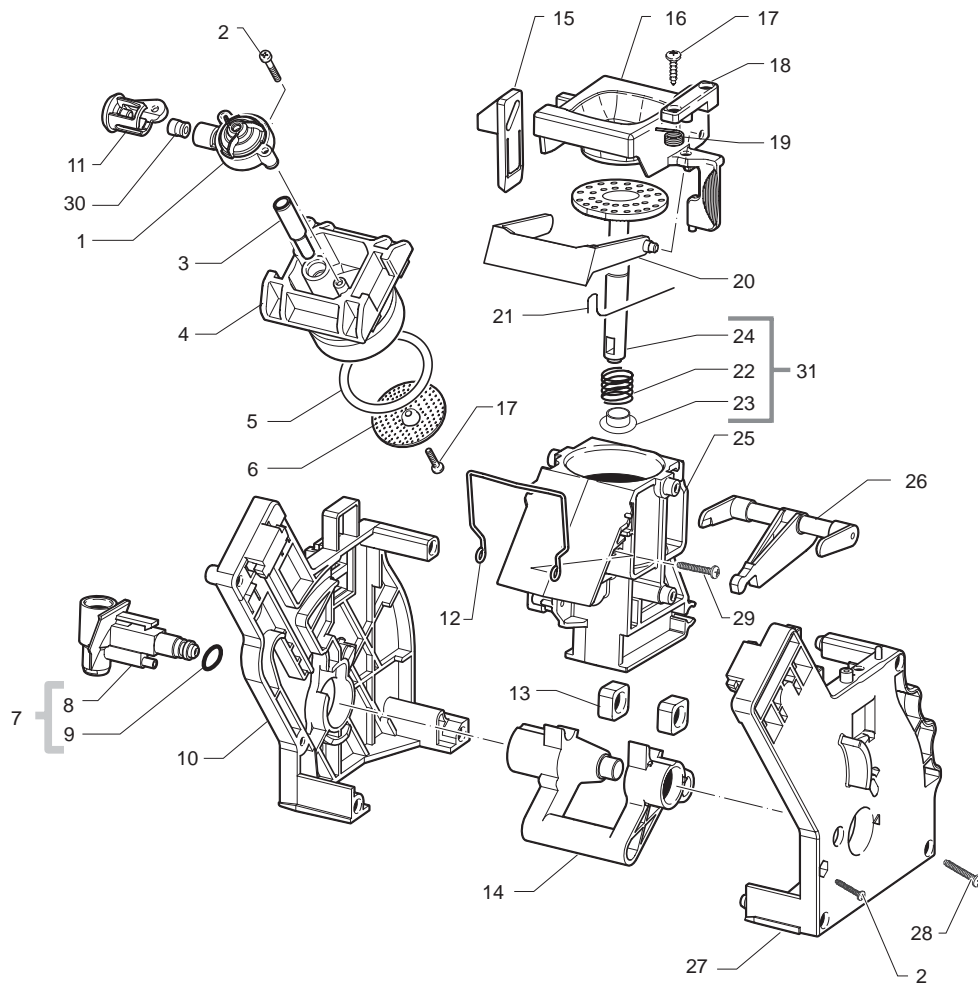
**SUP034PR**
**RI8173/60**

**Cod. 10001704-1951-2006-2572-2842**

POS	CODE	DESCRIPTION	NOTE	POS	CODE	DESCRIPTION	NOTE
01	11005060	PIN V2 FOR BOILER P119 ASSY					
02	9011.132	SPRING FOR PIN					
03	140324459	OR ORM 0060-20 IN SILICONE PTFE/FDA					
04	11003820	CAP V2 FOR PIN BOILER P119					
05	11009019	TEA/BRASS PISTON L=20,9 ASSY					
06	11022216	BLACK PROTECTION FOR COVER PLATE P0049					
07	140328059	OR 2015 IN SILICONE PTFE/FDA					
08	NM01.035	OR ORM 0090-20 SILICONE					
09	11003801	PIN V2 FOR BOILER P119					
10	11005099	CURSOR V2 FOR BOILER P119					
11	NM01.057	OR ORM 0050-20 SILICONE					
12	NE05.038	MICROSWITCH					
13	20000900	SPARES KIT GEARS FOR RATIOMOTOR V2					
14	9161.132	MYLAR WASHER FOR RATIOMOTOR					
15	9121.046	SINTERED BUSH FOR MOTOR					
16	148380200	WASHER BAKELIZZATE D=5,5					
17	9121.044	ANTIVIBRATION FOR MOTOR					
18	11005214	MOTOR FOR RATIOMOTOR P124 ASSY.					
19	11001331	BLACK MICROSWITCH SUPPORT DUMP BOX P0049					
20	11003661	REED SENSOR MK3-1A66-BV16451					
21	129914102	SCREW TSP TORX 10 3,5X12 PLAST.ZN-B					
22	11006337	BLACK COVER MOUNTING PLATE P0049 ASSY					
23	129914002	SCREW TCB TORX 10 3,5X16 PLAST.ZN-B					
24	11001312	BLACK COVER FOR VAIN BOILER P0049					
25	11005921	BLACK BREW UNIT 8GR. V2 P124/SBS <b>SEE COD. EXPL. E90060</b>					

**GAGGIA**®

**GAGGIA PLATINUM EVENT**
**TABLE 5/5**


**GAGGIA** SUP034

**Cod. 11005921**

POS	CODICE	DESCRIZIONE	NOTE	POS	CODE	DESCRIPTION	NOTA
01	11010660	AS.VALVOLA SAECO BREWING SYSTEM STD		01	11010660	SAECO BREWING SYSTEM VALVE STD ASSY.	
02	12000550	VITE TCB 3X25 PLAST.INOX		02	12000550	SCREW TCB TORX 10 3X25 PLAST.SS	
03	11009276	TUBO X CONTROPIST.GRUPPO S0053 NERO		03	11009276	TUBE FOR COUNTER PISTON BREW UNIT S0053	
04	11001840	CONTROPISTONE GRUPPO P124 8GR. NERO		04	11001840	BLACK COUNTER PISTON BREW UNIT 8GR.P124	
05	NM01.044	OR ORM 0320-40 IN SILICONE PTFE/FDA		05	NM01.044	OR ORM 0320-40 IN SILICONE PTFE/FDA	
06	9161.268	DOCCIA DE=35,8 ELFO		06	9161.268	PERCOLATOR DE=35,8 ELFO	
07	20000440	GRUPPO RICAMBIO MANICOTTO NERO		07	20000440	BLACK SPARE SLEEVE UNIT	
08	9161.064.050	MANICOTTO ENTRATAACQUA GRUP.CAFFE.NERO		08	9161.064.050	BLACK WATER INLET SLEEVE BREW UNIT	
09	NM02.007	OR 2025 TERMOIL		09	NM02.007	OR 2025 TERMOIL	
10	9161.375.050	PIASTRA POSTERIORE GRUPPO SMART NERO		10	9161.375.050	BLACK REAR PLATE FOR BREW UNIT SMART	
11	145899250	INSERTO CENTRAGGIO RAC.USCITA CAF.P124		11	145899250	CONNECTION COFFEE FOR P124 GROUP	
12	11001556	MOLLA RASATORE H=49 X GRUPPO CAF.SMART		12	11001556	SPRING H=49 FOR COFFEE BREW UNIT SMART	
13	9161.094.050	BLOCCETTO FORATO GRUP.CAFFE' PA/NERO		13	9161.094.050	BLACK DRILLED BLOCK BREW UNIT	
14	9161.066.050	ALBERO A GOMITO X GRUPPO NERO		14	9161.066.050	ELBOW SHAFT FOR UNIT BLACK	
15	9161.373.050	PIASTRINA AGGANCIO GRUP.CAF.SMART NERO		15	9161.373.050	BLACK COUPLING PLATE BREW UNIT SMART	
16	149261350	TRAMOGGIA GRUPPO CAFFE' SMART1 NERO		16	149261350	BLACK HOPPER DOSER BREW UNIT SMART1	
17	12000895	VITE TSP 3X10 PLAST.INOX		17	12000895	SCREW TSP TORX 10 3X10 PLAST.SS	
18	9161.374.050	PIASTRA FISS.TRAMOG. GRUP.CAF.SMART NERO		18	9161.374.050	BLACK HOPPER BLOCKING PLATE UNIT SMART	
19	9161.378	MOLLA TRAMOGGIA GRUPPO CAFFE' SMART		19	9161.378	SPRING HOPPER BLOCK BREW UNIT	
20	11004161	RASATORE X GRUPPO CAFFE' NERO		20	11004161	BLACK SCRAPER FOR COFFEE UNIT	
21	9161.046	MOLLA X RASATORE GRUPPO		21	9161.046	SPRING FOR UNIT SCRAPER	
22	9161.198	MOLLA PISTONE GRUPPO CAFFE' M5000		22	9161.198	PISTON SPRING BREW UNIT M5000	
23	9161.191	BOCCOLA PISTONE GRUP.CAFFE.M5000 NEUTRO		23	9161.191	NEUTRAL PISTON BUSH BREW UNIT M5000	
24	11003077	AS.PISTONE INTEGRALE GRUP.P124 8GR.NERO		24	11003077	BLACK INTEGRAL PISTON UNIT P124 8GR.ASS	
25	11003075	AS.CONT.CAF.C/BOCC.SALD.GRUP.P124 8G.NER		25	11003075	BLACK COFFEE CONTAINER BREW UNIT P124	
26	11003078	BIELLA X GRUPPO P124 8GR.NERO		26	11003078	BLACK CONNECTING ROD FOR UNIT P124 8GR.	
27	11005920	PIASTRA ANT.GRUPPO SMART S/F.NER.SER.NEW		27	11005920	BLACK FRONT PLATE BREW UNIT SMART S.SCR.	
28	12000897	VITE TCB 3,5X20 PLAST.INOX		28	12000897	SCREW TCB TORX 10 3,5X20 PLAST.SS	
29	129912521	VITE TCBR 3,5X14 PLAST.INOX		29	129912521	SCREW TCBR TORX 10 3,5X14 PLAST.SS	
30	145857962	GUARNIZ.INSERTO RACC.USCITA CAF.P124 NER		30	145857962	BLACK INSERT SEAL P124	
31	11023086	AS.GEN.PISTONE INTEGR.GRUP.CAF.8GR.NER.		31	11023086	BLK 8GR.BREW UNIT NTEGR.PISTON GEN.ASSY.	
	11005921	GRUPPO CAFFE' V2 P124/SBS 8GR.NERO			11005921	BLACK BREW UNIT 8GR.V2 P124/SBS	

**GAGGIA**
**GRUPPO CAFFE' SBS 8GR. SBS NERO**

Rev. 03 - 10/11/09

TAVOLA 1/1