

GAGGIA®

SUP034NR

RI8175/00



Cod. 10001706-1953-2008

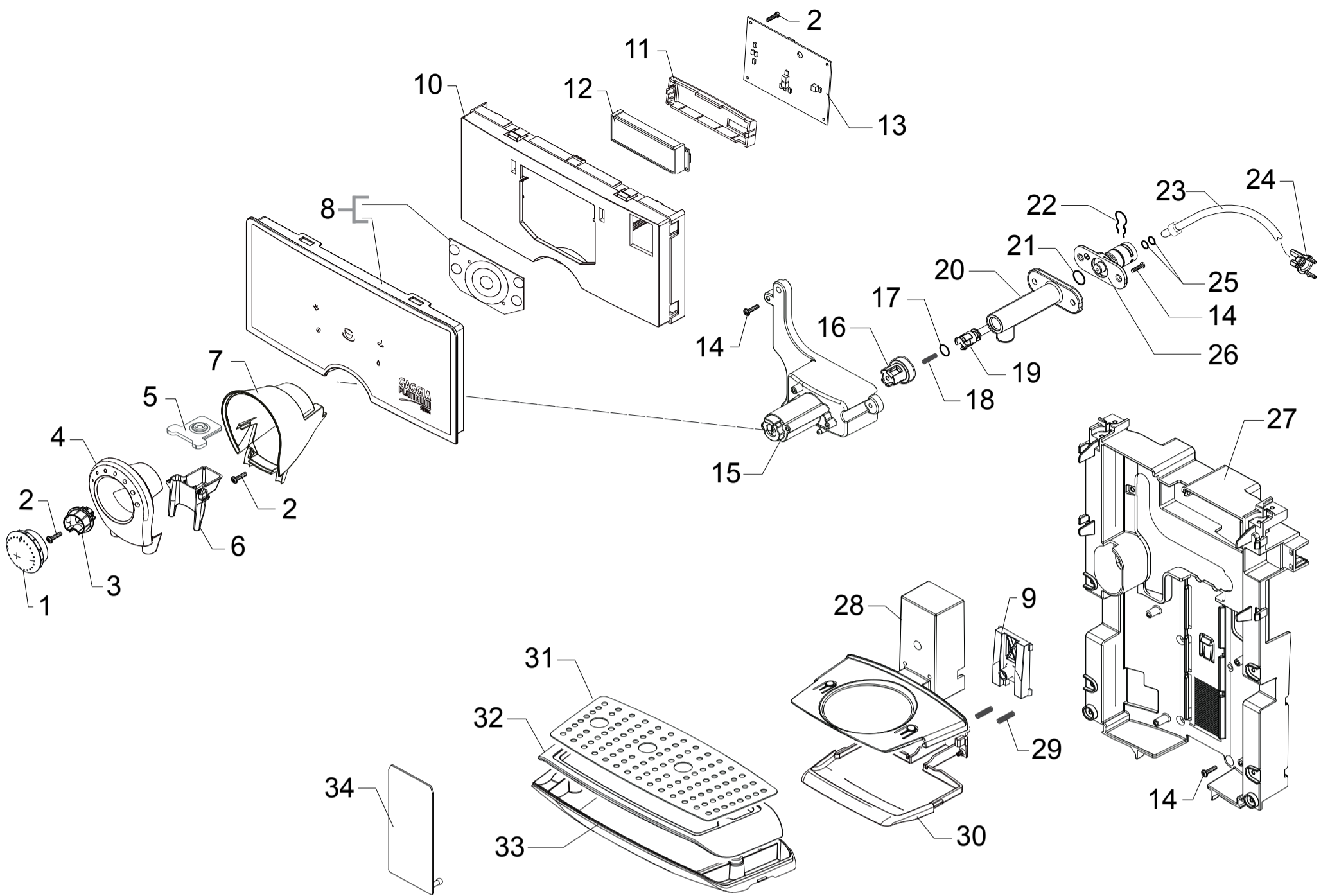
Cod.10002496-7-8-2512- 4-2931

POS	CODE	12NC	DESCRIPTION	NOTE	POS	CODE	12NC	DESCRIPTION	NOTE
01	15001122	996530008932	MANUAL GAG SUP034NR G0053/B D/I		25	12000450	996530007819	SCREW TCB TORX 10 3,5X12 PLAST.ZN-N	
	15001123	996530008933	MANUAL GAG SUP034NR G0053/B GB/F		26	11007232	996530004166	TITANIO WATER-STEAM KNOB G0053	
	15001124	996530008934	MANUAL GAG SUP034NR G0053/B E/P		27	11007207	996530004142	BLACK FRONT CASING G0053/A-B ASSY.	
	15001125	996530008935	MANUAL GAG SUP034NR G0053/B NL/PL		28	11004799	996530002549	NAT/GREY GROUND COFF.CONTAIN.LID G0053	
	15001277	996530008999	MANUAL GAG SUP034NR G0053/B GB/P	ONLY BRAZIL	29	129661702	996530012992	SCREW TCB TORX 3,5X30 PLAST.ZN-B	
	15001675		INSTRUCTIONS MANUAL GAGGIA G0053/B CHN		30	11007173	996530004105	TITANIO COVER CASING G0053	
02	21001711	996530010528	ACC GAG MAVEA UNI.WAT.FILTERX1 USA		31	11030061	996530072442	MOUNTING PLATE W/PIN V3 P0049 ASSY.	
03	0301.961	996530039604	STICKER FOR WATER HARDNESS TEST			11030062	996530072441	MOUNTING PLATE W/PIN V3 P0049 UL ASSY.	
04	183911050	996530025808	BLACK POWER CABLE SCHUKO L=1200		32	12000280	996530007788	CUP SOCKET EN 60320 C 13	
	183930650	996530025858	POWER CABLE CH BLACK 3X1 H05VV-F L=1200		33	U140.001	996530061964	SCREW TCB TORX 10 3,5X40 PLAST.ZN-N	
	183970350	996530025882	BLACK POWER CABLE UK L=1200		34	11007060	996530004022	GENERAL SWITCH P124	
	183940650	996530025872	BLACK POWER CABLE AUSTRALIA L=1200		35	11007174	996530004106	TITANIO RIGHT SIDE CASING G0053	
	183921950	996530025843	POWER CABLE SJT3 USA BLACK UL L=1200		36	11000223	996530000126	BLACK WHEEL FOR CASING BOTTOM P124	
	183980650	996530025894	BLACK POWER CABLE JAPPON VCTF L=1200MM		37	140321461	996530013461	O-RING 2018 EPDM	
	17800019	996530009627	BLACK POWER CABLE BRAZIL L=1200		38	11003821	996530001933	BLACK CAP FOR CONNECTIONS P0049/P0053	
	17800330	996530069926	BLACK POWER CABLE BRAZIL L=1200		39	9161.111	996530050555	MAGNET FOR FLOAT SUPERAUT.	
	11004247	996530002167	BLACK POWER CABLE RVV 3X1 CHINA L=1200		40	11005046	996530002702	BLACK INSIDE COVER DOOR G0053	
05	11022867	996530007474	GAGGIA KLUBER TRIBOSTAR SIL 2 TUBE 5GR.		41	11003533	996530001717	BLACK DUMP BOX P0049 ASSY.	
06	146680850	996530016529	BLACK COFFEE MEASURE SMART		42	11007178	996530004111	TITANIO DOOR G0053	
07	129914002	996530013165	SCREW TCB TORX 10 3,5X16 PLAST.ZN-B		43	11001340	996530000764	BLACK DOOR PIN P0049	
08	11002017	996530001109	NAT/GREY WATER CONTAINER P0053 ASSY.		44	11008956	996530005133	SS DOOR LOCK SPRING G0053	
09	224640200	996530029115	WHITE WATER CONTAINER EXT.FILTER ASSY.	WITH PART.N°10	45	11007177	996530004109	TITANIO COFFEE UNIT DRIP TRAY G0053	
10	140328461	996530013571	OR ORM 0190-10 EPDM		46	129912702	996530013151	GALVAN.SCREW PT TORX 3X10 WN 1411	
11	11003672	996530001831	SS SPRING FOR WATER CONTAIN.VALVE P0049		47	11001360	996530000777	PWR BOARD P0049/P0053	230V
12	11003673	996530001832	GREY WATER CONTAINER VALVE INSERT P0049			11003968	996530001977	PWR BOARD P0049/P0053	100V-120V
13	11003671	996530001829	TRANSP.VALVE FOR WATER CONTAINER P0049		48	11007605	996530004447	2POLES CONNECTOR SENSOR REED DOOR G0053	
14	11001298	996530000733	BLACK LID FOR DUCKBILL VALVE P0049		49	11003154	996530001476	BLACK REED SENSOR SUPPORT P0049	
15	11007212	996530004147	TITANIO WATER TANK OUTLET COVER G0053		50	11001339	996530000763	TRANSP.INFRAREDS PLATE P0049	
16	11001668	996530000954	NAT/GREY WATER CONTAINER LID P0053		51	11004055	996530002004	TITANIO ON-OFF BUTTON INSERT P0049	
17	20006877	996530071488	KIT PS-E INSERTS FOR BOX G0053		52	11011129	996530005982	SPECCHIATO ON-OFF SWITCH BUTTON P0049	
18	11007234	996530004168	UPPER INSULATE SHEET PWR ELE.BOARD P0053	(ONLY 100V-120V)	53	13000526	996530008214	CARTON INSERT FOR BOX G0053	
19	13000544	996530008227	DISPLAY BOX G0053 GAG PLATINUM		54	149360300	996530018271	SILCONE TUBE 7X10	IN ROLL
20	11007195	996530004128	NAT/GREY BEAN COFF.CONT.LID G0053 ASSY.		55	11006567	996530003666	LOWER INSULATE SHEET PWR ELE.BOARD P0053	(ONLY 100V-120V)
21	11004793	996530002544	SB/SS CUP WARMING LID G0053						
22	11008183	996530004759	GREY SEAL FOR CUP WARMING LID G0053						
23	11009191	996530005331	BLACK POWER BOARD PROTECTION V2 P0049						
24	11007175	996530004107	TITANIO LEFT SIDE CASING G0053						

GAGGIA®

GAGGIA PLATINUM SWING

TABLE 1/5



GAGGIA®

SUP034NR

RI8175/00



Cod. 10001706-1953-2008

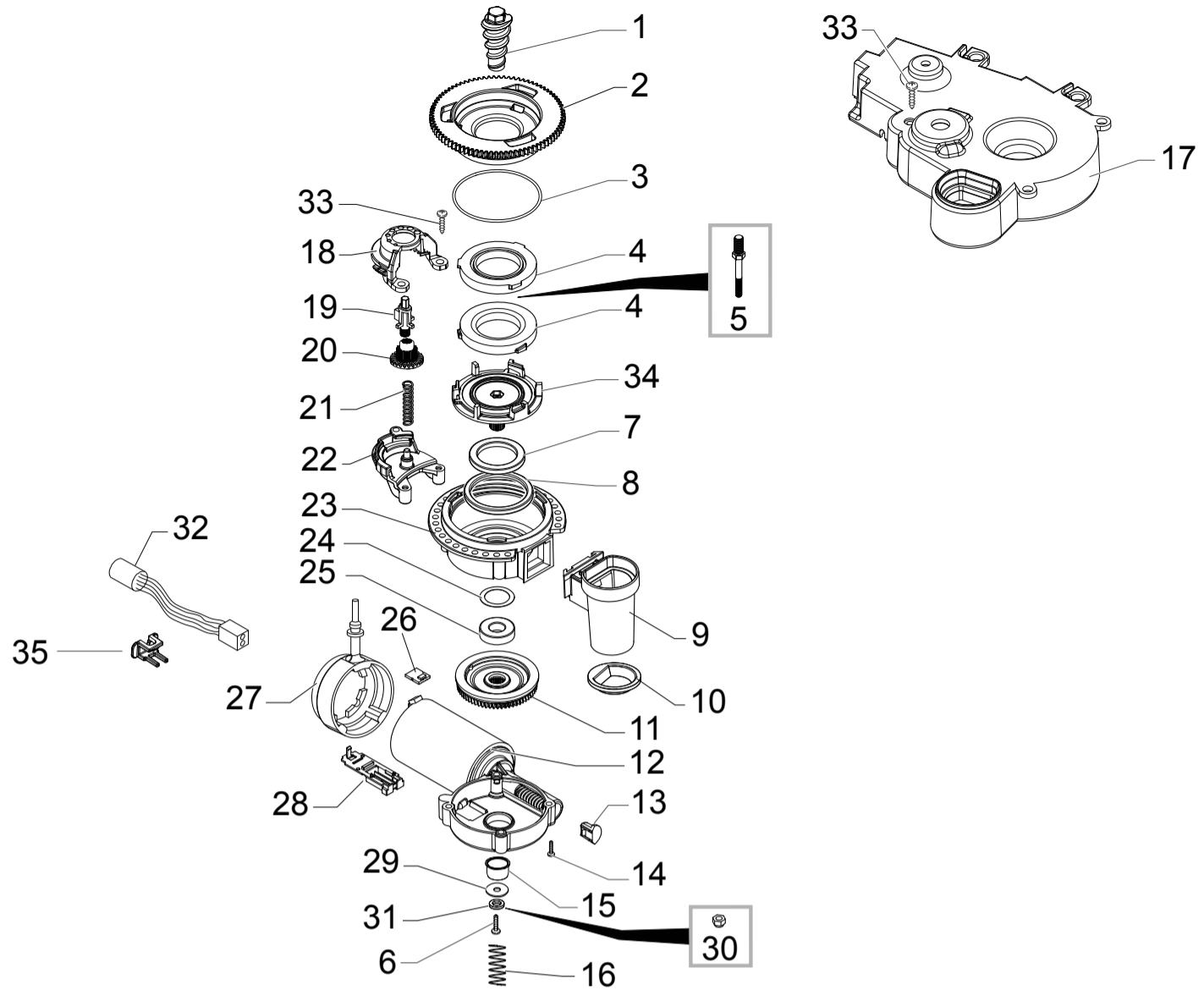
Cod.10002496-7-8-2512- 4-2931

POS	CODE	12NC	DESCRIPTION	NOTE	POS	CODE	12NC	DESCRIPTION	NOTE
01	11007214	996530004149	TITANIO CREAM ADJUSTMENT KNOB G0053						
02	129913202	996530013156	SCREW TCB TORX 10 3X8 PLAST.ZN-B						
03	11007420	996530004295	COFF.DISPENSER INTERNAL CONNECT.V2 P124						
04	11007211	996530004146	CHROM.FRONT COF.DISPENS.COVER S/SC.G0053						
05	11002111	996530001158	BLACK COFFEE DISPEN.HEAD BODY CAP P0053						
06	11002049	996530001126	BLACK COFFEE DISPENSER BODY P0053						
07	11007179	996530004112	TITANIO REAR COFF.DISPENSER COVER G0053						
08	11006025	996530003297	BLACK DISPLAY FRONT PLATE G0053/B ASSY.						
09	148740600	996530017514	SLIDE FOR DRIP TRAY P117						
10	11002044	996530001121	DISPLAY SUPPORT P0053/B						
11	11008207	996530004771	BLACK FRONT PANEL SUPPORT G0053/B-C						
12	12000164	996530007775	DISPLAY VL 1351 P0053/B AMBRA						
13	11009227	996530005348	CPU+SW AS.V2 P0053/B						
14	12000450	996530007819	SCREW TCB TORX 10 3,5X12 PLAST.ZN-N						
15	11005996	996530003276	BLACK COFFEE DISPENSER G0053						
16	149198700	996530017958	BLK COFF.CREAM ADJUSTMENT SHAFT SUPPORT						
17	140326661	996530013546	OR ORM 0040-20 BLACK EPDM						
18	126772518	996530011711	SS COFF.CREAM ADJUSTMENT SHAFT SPRING						
19	140640200	996530013621	WHITE COFFEE CREAM ADJUSTMENT SHAFT						
20	11000290	996530000179	BLACK COFFEE DISPENSER TUBE P124						
21	12000070	996530007732	OR ORM 0060-15 SILICONE						
22	9011.144	996530048885	SS FORK FOR TUBE D=4						
23	11001766	996530001008	TEFLON TUBE 2X4 L=125 MM ASSY.						
24	11006504	996530003617	BLACK TUBE TEFLON INSERT G0053						
25	140328059	996530013564	OR 2015 SILICONE PTFE/FDA						
26	11002130	996530001168	COFF.DISPENSER FAST LOCK CONNECTOR P0053						
27	11004741	996530002513	BLACK DRIP TRAY GUIDE G0053						
	11009286	996530005377	BLACK DRIP TRAY GUIDE G0053 UL						
28	11004795	996530002546	CARBONA DRIP TRAY SUPPORT G0053						
29	11008956	996530005133	SS DOOR LOCK SPRING G0053						
30	11005115	996530002758	CARBONA DRIP TRAY SUPPORT INSERT G0053						
31	11004773	996530002527	SB/STAINLESS STEEL GRATE G0053						
32	11007213	996530004148	CHROMATED DRIP TRAY GRATE SUPPORT G0053						
33	11008883	996530005085	TITANIO DRIP TRAY G0053 ASSY.						
34	11003399	996530001647	SPECCHIATO DRIP TRAY PROTECTION P0053						

GAGGIA®

GAGGIA PLATINUM SWING

TABLE 2/5



GAGGIA® SUP034NR

RI8175/00



Cod. 10001706-1953-2008

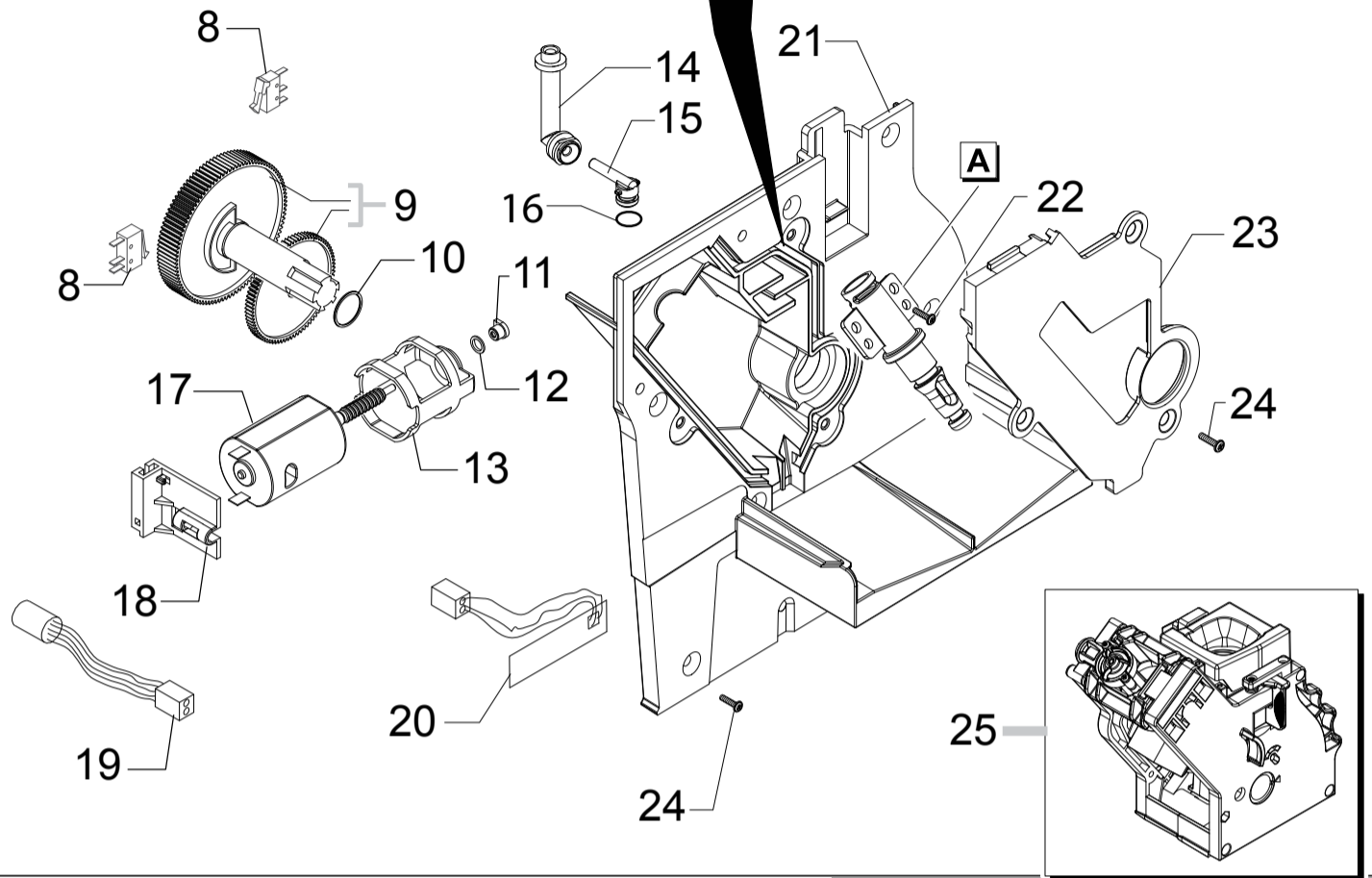
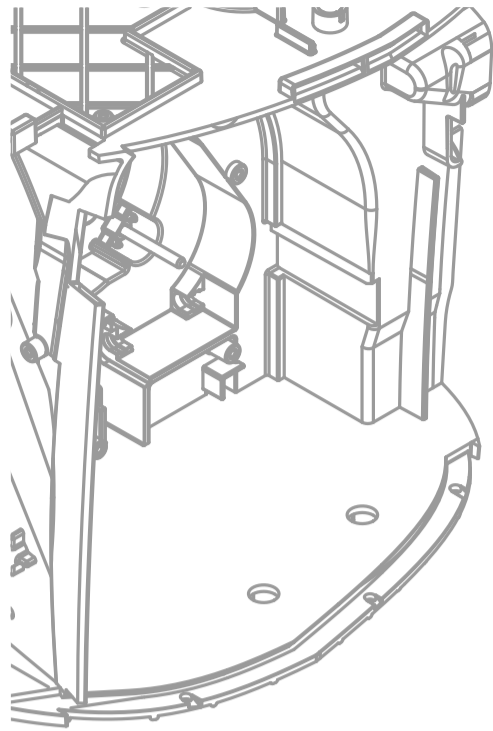
Cod.10002496-7-8-2512- 4-2931

POS	CODE	12NC	DESCRIPTION	NOTE	POS	CODE	12NC	DESCRIPTION	NOTE
01	9141.001	996530050195	BRASS INCREMENT SCREW MC UP TO S/N.9008GA40111060		35	17001921	996530072477	BLK WIRING FIX INSERT FOR GRINDER BOARD	
	11011205	996530005991	TEA ZAMA INCREASE SCREW GRINDER FROM S/N.9008GA40111061			11007416	996530004292	GEN.MOTOR COF.GRINDER V2 P0049 ASSY	230V
02	149198250	996530017951	BLK UPPER COFFEEGRINDER GRINDER SUPPORT			11007417	996530004293	GEN.MOTOR COF.GRINDER V2 P0049 ASSY	120V
03	140328960	996530013577	OR ORM 0530-15 NBR FDA			11007418	996530004294	GEN.MOTOR COF.GRINDER V2 P0049 ASSY	100V
04	146520100	996530016342	BAKED CLAY GRINDER 48X28						
05	127473603	996530012028	STEEL PIN M4-M6 FOR INCREMENT SCREW UP TO S/N.9008GA40111060						
06	129574802	996530012928	SCREW TCB TORX 20 M4X30 ZN-B FROM S/N.9008GA40111061						
07	123030300	996530011183	AXIAL BEARING EKKO 342.35252						
08	140360500	996530013597	FELT RING 45,4X39,4X4						
09	11026355	996530068049	BLK GROUND COFF.OUTLET CONVEYOR V4 ASSY.						
10	11030459	996530072511	GRY GROUND COFFEE CONT.LOWER SEAL SMART1						
11	226000300	996530029609	GEAR SX Z=38 FOR GRINDER MOTION ASSY.						
12	11000513	996530000317	MOTOR COFFEEGRINDER V3.1 ASSY.	230V					
	11000511	996530000315	MOTOR COFFEEGRINDER V3.1 ASSY.	120V					
	11000512	996530000316	MOTOR COFFEEGRINDER V3.1 ASSY.	100V					
13	149214800	996530018139	MC V3 MOD=1,25 WORM SCREW CENTRING CAP						
14	129661702	996530012992	SCREW TCB TORX 3,5X30 PLAST.ZN-B						
15	11002873	996530001389	INSULATOR BUSH FOR GRINDER MOTOR P124						
16	11000597	996530000376	COFFEE GRINDER SUPPORT SPRING P124						
17	11001826	996530001044	COFFEE GRINDER SOUNDPROOFING COVER P0053						
18	11002508	996530001296	UPPER COFFEEGRINDER GEAR SUPPORT P124						
19	11003446	996530001673	BLACK BEAN COFFEE GRINDER INSERT P0049						
20	11003784	996530001907	COFFEE GRINDING ADJUSTMENT GEAR P0049						
21	11002572	996530001308	COFFEEGRINDER REGULATION SPRING P124						
22	11002613	996530001314	LOWER COFFEEGRINDER GEAR SUPPORT P124						
23	142905450	996530015258	BLK UPPER BODY WITH COFFEE GROUND OUTLET						
24	128381800	996530012374	STEEL CRINKLE WASHER 21,8X14X0,25						
25	123030200	996530011182	RADIAL BEARING 61900.2RS1						
26	181540900	996530022784	ELECTR.BOARD WITH SENSOR HAL506 SF-K						
27	11001367	996530000785	BLACK COFFEE GRINDER SUPPORT P0049						
28	149199050	996530017963	BLK SENSOR SUPPORT FOR COF.GRINDER MOTOR						
29	128381902	996530012375	STEEL FLAT WASHER DI=4,3 DE=14 SP=1,5						
30	123453102	996530011241	GALV.SELF LOCK NUT HIGH M4 DIN 982 UP TO S/N.9008GA40111060						
31	128310402	996530012341	GALV.WASHER UNI 8842 A4 FROM S/N.9008GA40111061						
32	11005658	996530003033	5POLES CONNECTOR MC SENSORS P0049 UL						
33	129914002	996530013165	SCREW TCB TORX 10 3,5X16 PLAST.ZN-B						
34	149198350	996530017952	BLK LOWER COFFEEGRINDER GRINDER SUPPORT						

GAGGIA®

GAGGIA PLATINUM SWING

TABLE 4/5



GAGGIA[®]

SUP034NR

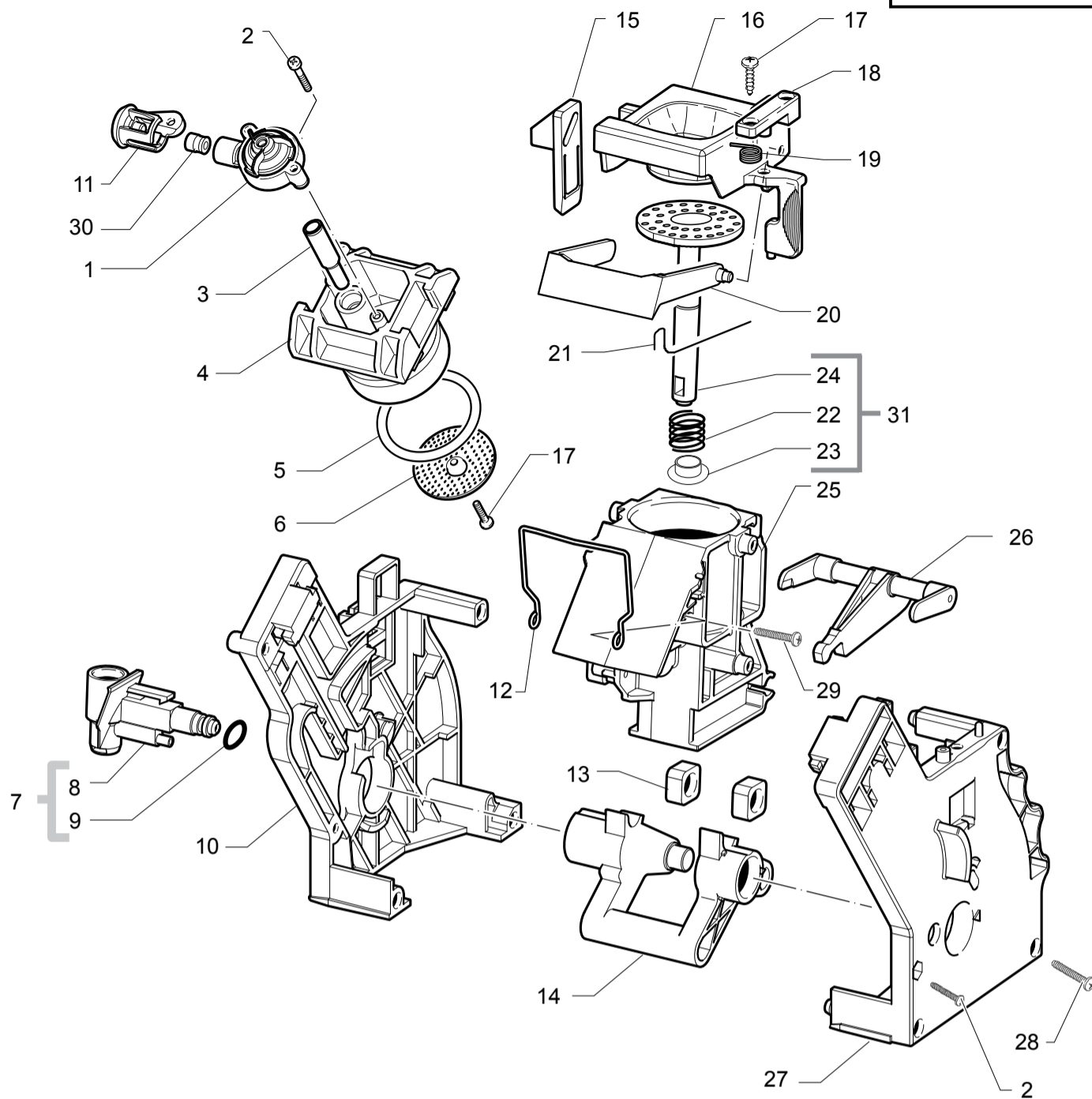
RI8175/00



Cod. 10001706-1953-2008

Cod.10002496-7-8-2512- 4-2931

POS	CODE	12NC	DESCRIPTION	NOTE	POS	CODE	12NC	DESCRIPTION	NOTE
01	11005113	996530002757	PIN V2 FOR BOILER P049/B ASSY.						
02	140324459	996530013508	OR ORM 0060-20 SILICONE PTFE/FDA						
03	11003820	996530001932	BLACK CAP V2 FOR PIN BOILER P119						
04	140328059	996530013564	OR 2015 SILICONE PTFE/FDA						
05	NM01.035	996530059399	OR ORM 0090-20 SILICONE						
06	11003801	996530001926	NAT.PIN V2 FOR BOILER P119						
07	NM01.057	996530059419	OR ORM 0050-20 IN SILICONE						
08	NE05.038	996530058869	MICROSWITCH SAIA XCG5-81-P5						
09	20000900	996530009913	SPARES KIT GEARS FOR RATIOMOTOR V2						
10	9161.132	996530050569	MYLAR WASHER FOR RATIOMOTOR						
11	9121.046	996530049898	BRONZE SINTERED BUSH FOR MOTOR RATIOMOT.						
12	148380200	996530017424	BAKELIZZATE WASHER D=5,5						
13	9121.044	996530049896	ANTIVIBRATION FOR MOTOR						
14	11004086	996530002028	BLK VALVE WATER DESCARGING 90°CONN.P0049						
15	11003648	996530001805	BLK COVER WATER DESCARGING 90°CONN.P0049						
16	140325462	996530013526	OR ORM 0070-20 SILICONE						
17	11005214	996530002796	MOTOR FOR RATIOMOTOR P124 ASSY.						
18	11001331	996530000754	BLACK DUMP BOX MICROSWITCH SUPPORT P0049						
19	11003661	996530001819	REED SENSOR MK3-1A66-BV16451						
21	11006337	996530003482	BLACK COVER MOUNTING PLATE P0049 ASSY.						
	11009287	996530005378	BLACK COVER MOUNTING PLATE P0049 UL ASSY						
22	129914002	996530013165	SCREW TCB TORX 10 3,5X16 PLAST.ZN-B						
23	11001312	996530000748	BLACK COVER FOR BOILER VAIN P0049						
	11009284	996530005375	BLACK COVER FOR BOILER VAIN P0049 UL						
24	129914102	996530013166	SCREW TSP TORX 10 3,5X12 PLAST.ZN-B						
25	11005921	996530003229	BLACK BREW UNIT 8GR/SBS V2 P124						
			SEE CODE EXPL. E90060'B9LH'D5; 9						
26	11022216	996530007256	BLACK MOUNTING PLATE COVER PROTECT.P0049						


GAGGIA® SUP034

Cod. 11005921

POS	CODICE	12NC	DESCRIZIONE	NOTE	POS	CODE	12NC	DESCRIPTION	NOTE
01	11010660	996530005823	AS.VALV.SBS STD		01	11010660	996530005823	SBS VALVE STD ASSY.	
02	12000550	996530007838	TCB 3X25 PLAST.INOX		02	12000550	996530007838	SCREW TCB TORX 10 3X25 PLAST.SS	
03	11009276	996530005372	TUBO CONTROPIST.GRUP.S0053 NER.		03	11009276	996530005372	BLK COUNTER PISTON TUBE BREW UNIT S0053	
04	11001840	996530001046	CONTROPIST.GRUP.8GR.P124 NER.		04	11001840	996530001046	BLACK COUNTER PISTON BREW UNIT 8GR.P124	
05	NM01.044	996530059406	OR ORM 0320-40 SILICONE PTFE/FDA		05	NM01.044	996530059406	OR ORM 0320-40 SILICONE PTFE/FDA	
06	9161.268	996530050709	DOCCIA DE=35,8 ELFO		06	9161.268	996530050709	PERCOLATOR DE=35,8 ELFO	
07	20000440	996530009825	AS.MANICOT.ENTRATA ACQ.GRUP.NER.		07	20000440	996530009825	BLACK WATER INLET SLEEVE BREW UNIT ASSY.	
08	9161.064.050	996530050488	MANICOT.ENTRATA ACQ.GRUP.ROYAL NER.		08	9161.064.050	996530050488	BLACK WATER INLET SLEEVE BREW UNIT ROYAL	
09	NM02.007	996530059441	OR 2025 TERMOIL		09	NM02.007	996530059441	OR 2025 IN TERMOIL	
10	9161.375.050	996530050832	PIAS.POS.GRUP.SMART NER.		10	9161.375.050	996530050832	BLACK BREW UNIT REAR PLATE SMART	
11	145899250	996530016147	INS.CENTRAG.RAC.USCITA CAF.P124 NER.		11	145899250	996530016147	BLK COFFEE CONNECTION BREW UNIT P124	
12	11001556	996530000898	MOLLA RASAT.H=49 GRUP.CAF.SMART INOX		12	11001556	996530000898	SS BREW UNIT SPRING H=49 SMART	
13	9161.094.050	996530050539	BLOC.FORATO GRUP.PA/NER.		13	9161.094.050	996530050539	BLACK BREW UNIT DRILLED BLOCK	
14	9161.066.050	996530050492	ALBERO A GOMITO GRUP.M5000 NER.		14	9161.066.050	996530050492	BLACK BREW UNIT ELBOW SHAFT M5000	
15	9161.373.050	996530050827	PIAS.AGGANC.GRUP.SMART NER.		15	9161.373.050	996530050827	BLACK BREW UNIT COUPLING PLATE SMART	
16	149261350	996530018241	TRAMOG.GRUP.SMART1 NER.		16	149261350	996530018241	BLACK HOPPER DOSER BREW UNIT SMART1	
17	12000895	996530007951	VITE TSP 3X10 PLAST.INOX		17	12000895	996530007951	SCREW TSP TORX 10 3X10 PLAST.SS	
18	9161.374.050	996530050829	PIAS.FISS.TRAMOG.GRUP.SMART NER.		18	9161.374.050	996530050829	BLK BREWUNIT HOPPER BLOCKING PLATE SMART	
19	9161.378	996530050838	MOLLA TRAMOG.GRUP.SMART INOX		19	9161.378	996530050838	SS HOPPER SPRING FOR BREW UNIT SMART	
20	11004161	996530002096	RASATORE GRUP.M5000 NER.		20	11004161	996530002096	BLACK SCRAPER FOR BREW UNIT M5000	
21	9161.046	996530050455	MOLLA RASATORE GRUP.INOX		21	9161.046	996530050455	SS SCRAPER SPRING FOR BREW UNIT	
22	9161.198	996530050627	MOLLA PIST.GRUP.8GR.INOX		22	9161.198	996530050627	SS.8GR.BREW UNIT PISTON SPRING	
23	9161.191	996530050618	BOC.PIST.GRUP.8GR.-12GR.BIA.		23	9161.191	996530050618	WHITE 8GR.-12GR.BREW UNIT PISTON BUSH	
24	11003077	996530001451	AS.PIST.INTEGR.GRUP.8GR.NER.		24	11003077	996530001451	BLK BREW UNIT INTEGRAL PISTON 8GR.ASSY.	
25	11003075	996530001448	AS.CONT.CAF.C/BOC.SALD.GRUP.8G.P124 NER.		25	11003075	996530001448	BLACK COFFEE CONTAINER BREW UNIT P124	
26	11003078	996530001452	BIELLA GRUP.8GR.NER.		26	11003078	996530001452	BLACK CONNECTING ROD BREW UNIT 8GR.	
27	11005920	996530003228	PIAS.ANT.GRUP.S/F.SMART NER.SER.NEW		27	11005920	996530003228	BLACK BREW UNIT FRONT PLATE S/SCR.SMART	
28	12000897	996530007953	VITE TCB 3,5X20 PLAST.INOX		28	12000897	996530007953	SCREW TCB TORX 10 3,5X20 PLAST.SS	
29	129912521	996530013148	VITE TCBR 3,5X14 PLAST.INOX		29	129912521	996530013148	SCREW TCBR TORX 10 3,5X14 PLAST.SS	
30	145857962	996530016004	GUARN.INS.RAC.USCITA CAF.P124 NER.		30	145857962	996530016004	BLACK COFFEE CONNECTOR INSERT SEAL P124	
31	11023086	996530007577	AS.GEN.PISTONE INTEGR.GRUP.CAF.8GR.NER.		31	11023086	996530007577	BLK 8GR.BREW UNIT NTEGR.PISTON GEN.ASSY.	
	11005921	996530003229	GRUP.CAF.8GR/SBS V2 P124 NER.			11005921	996530003229	BLACK BREW UNIT 8GR/SBS V2 P124	

GAGGIA®
GRUPPO CAFFE' SBS 8GR. SBS NERO
TABLE 1/1