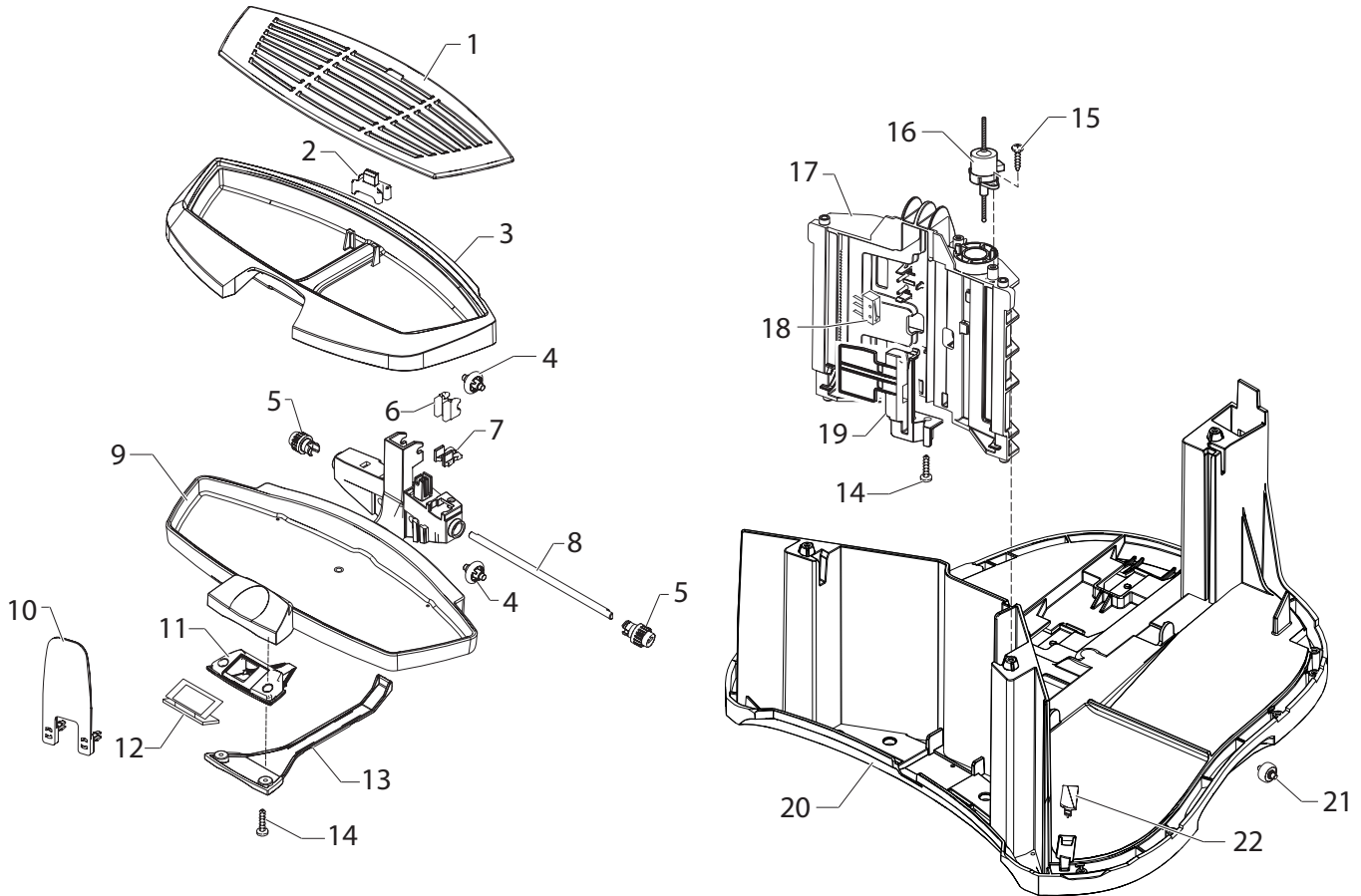


Saeco SUP030BD
INTERNATIONAL GROUP

CE Cod.10001837-38-69

POS	CODICE	DESCRIZIONE	NOTE	POS	CODE	DESCRIPTION	NOTE
01	129914102	VITE TORX K 35X12 WN 1423 ZINCATA		01	129914102	SCREW K 35X12 WN 1423 GALVANIZED	
02	11005437	CARASSA LATER.SX V2 P124 VER.MEZZANOT.		02	11005437	MEZZANOTTE LEFT SIDE CASING V2 P124	
03	11007231	PIASTRINA C/LOGO SAECO V2 P124 SER.ARG.		03	11007231	SILVER PLATE LOGO SAECO V2 P124	
04	11000294	RACCORDO X TUBO ACQUA CALDA P124 NERO		04	11000294	BLACK HOT WATER TUBE CONNECTOR P124	
05	12000414	OR METRICO 0030-15 IN EPDM/FDA		05	12000414	OR METRIC 0030-15 IN EPDM/FDA	
06	11000759	MOLLA TUBO ACQUA CALDA P124 ACC.		06	11000759	HOT WATER TUBE SPRING P124	
07	11000293	TUBO EROGAZIONE ACQUA CALDA P124 NERO		07	11000293	BLACK HOT WATER DISPENSER TUBE P124	
08	11002275	SUPP.TUBO ACQUA CALDA P124 VER.SPECCH.		08	11002275	SPECCHIATO HOT WATER TUBE SUPPORT P124	
09	11000596	IMPUGNAT.TUBO EROG.ACQ.CALDA P124 NERA		09	11000596	BLACK HOT WATER TUBE HANDLE FOR P124	
10	11000593	COPERT.TUBO EROG.ACQUA CALDA P124 INOX		10	11000593	HOT WATER TUBE COVER P124	
11	11002266	COPERT.SUPP.DISPLAY P124 VER.SPECCHIATO		11	11002266	SPECCHIATO DISPLAY SUPPORT COVER P124	
12	11000580	VETRINO X LED ILLUMINAZIONE TAZZE P124		12	11000580	GLASS FOR CUPS LED P124	
13	11003179	AS.CARC.ANT/SUP.P124/B SPECCHIATO SER.		13	11003179	SPECC. FRONT/UPPER CASING P124/B ASS	
14	11003176	AS.COP.SCALDATAZ.C/PTC P124 ARGENTO		14	11003176	SILVER CUPWARMING LID P124 ASSY.	
15	129573202	VITE TCB TORX 20 M4X8 AUTOFORMANTE ZN-B		15	129573202	SCREW TCB TORX 20 M4X8 AUTOFORMING ZN-B	
16	11003076	MAGNETE D=12 P124		16	11003076	D=12 MAGNET P124	
17	129914002	VITE TCB TORX 10 3,5X16 PLAST.ZN-B		17	129914002	SCREW TCB TORX 10 3,5X16 PLAST.ZN-B	
18	11000581	PERNO X CERNIERA SPORTELLO P124 OTT/NIK		18	11000581	PIN FOR DOOR HINGE P124	
19	11002265	COPERC.PORTA SERIALE P124 VER.MEZZANOT.		19	11002265	MEZZANOTTE SERIAL PORT COVER P124	
20	11006668	TASTO X INTER.GENER.V2 P124 CROM.LUC.		20	11006668	GLOSS/CHROM.GEN.SWITCH BUTTON V2 P124	
21	11002290	ANELLO X TASTO INT.GEN.P124 VER.MEZZANOT		21	11002290	MEZZANOTTE GEN.SWITCH BUTTON RING P124	
22	11002260	CARASSA LATER.DX P124 VER.MEZZANOTTE		22	11002260	MEZZANOTTE RIGHT SIDE CASING P124	
23	149254400	TASTO PUSH-PUSH A4U66A-6X-000(800G)		23	149254400	PUSH-PUSH A4U66A-6X-000 (800G)	
24	145898750	INSERTO X CHIUSURA FRONTALINO P119		24	145898750	INSERT FOR CLOSING FRONT PANEL P119	
25	11000283	SPORTELLO X CARCAS.LATERALE DX NERO		25	11000283	BLACK LATERAL DOOR P124	
26	11002246	COPERT.SPOT.CARC.LAT.DX P124 VER.MEZZ.		26	11002246	MEZZANOTTE LATERAL DOOR COVER P124	
27	21000961	ACC SAE BRITA WATER FILTER 1 UNIT EUR		27	21000961	ACC SAE BRITA WATER FILTER 1 UNIT EUR	
28	0301.961	STICKER TEST DUREZZA ACQUA		28	0301.961	STICKER FOR WATER HARDNESS TEST	
29	NV99.055	CHIAVE A BRUGOLA ESAGONO 5		29	NV99.055	ALLEN KEY 5	
30	146680850	MISURINO X CAFFEE' SMART NERO		30	146680850	BLACK COFFEE MEASURE SMART	
31	13000201	SCATOLA LITOGRAF.TASTE BOX P124 SAECO		31	13000201	SAECO TASTE BOX P124	
32	11005082	CONF.DA 4BUSTE+2PAST.DETERGEN. WEIGERT		32	11005082	WEIGERT 4 ENVELOPES+2 TABS PACK	
33	11005044	TUBETTO SAECO KLUBER TRIBOSTAR SIL.2 5g.		33	11005044	SAECO KLUBER TRIBOSTAR SIL.2 TUBE 5GR.	
34	15001307	LIBRET.ISTRUZIONI V4 SAECO P124/B D/I		34	15001307	MANUAL INSTRUCTIONS V4 SAECO P124/B D/I	
	15001308	LIBRET.ISTRUZIONI V4 SAECO P124/B E/P			15001308	MANUAL INSTRUCTIONS V4 SAECO P124/B E/P	
	15001309	LIBRET.ISTRUZIONI V4 SAECO P124/B F/GB			15001309	MANUAL INSTRUCTIONS V4 SAECO P124/B F/GB	
	15001340	LIBRET.ISTRUZIONI V4 SAECO P124/B NL/PL			15001340	MANUAL INSTRUCTIONS V4 SAECO P124/B NL/PL	
35	13000083	FASCIA SOLLEVAMENTO CA L=1550 H=400 P124		35	13000083	BAND FOR LIFTING L=1550 H=400 MM	
36		PARTICOLARE NON DISPONIBILE	VEDI PART. N°39	36		PARTICULAR NOT AVAILABLE	SEE PART. N°39
		FINO MATR. 9007PRI0088906				UP TO S/N. 9007PRI0088906	
	13000662	INSERTO SUP.V2 SCATOLA P124 PS-E			13000662	PS-E V2 UPPER INSERT FOR BOX P124	
		DA MATR. 9007PRI0088907				FROM S/N. 9007PRI0088907	
37		PARTICOLARE NON DISPONIBILE	VEDI PART. N°39	37		PARTICULAR NOT AVAILABLE	SEE PART. N°39
		FINO MATR. 9007PRI0088906				UP TO S/N. 9007PRI0088906	
	13000663	INSERTO INF.V2 SCATOLA P124 PS-E			13000663	PS-E V2 LOWER INSERT FOR BOX P124	
		DA MATR. 9007PRI0088907				FROM S/N. 9007PRI0088907	
38		PARTICOLARE NON DISPONIBILE	VEDI PART. N°39	38		PARTICULAR NOT AVAILABLE	SEE PART. N°39
		FINO MATR. 9007PRI0088906				UP TO S/N. 9007PRI0088906	
	13000660	SCATOLA LITOG.V3 P124/A-B-C SAECO PRIMEA			13000660	DISPLAY BOX V3 P124/A-B-C SAECO PRIMEA	
		DA MATR. 9007PRI0088907				FROM S/N. 9007PRI0088907	
39	20005371	KIT RICAMBIO IMBALLO V2 P124/A-B-C		39	20005371	KIT SPARES FOR PACKAGING V2 P124/A-B-C	
		FINO MATR. 9007PRI0088906				UP TO S/N. 9007PRI0088906	

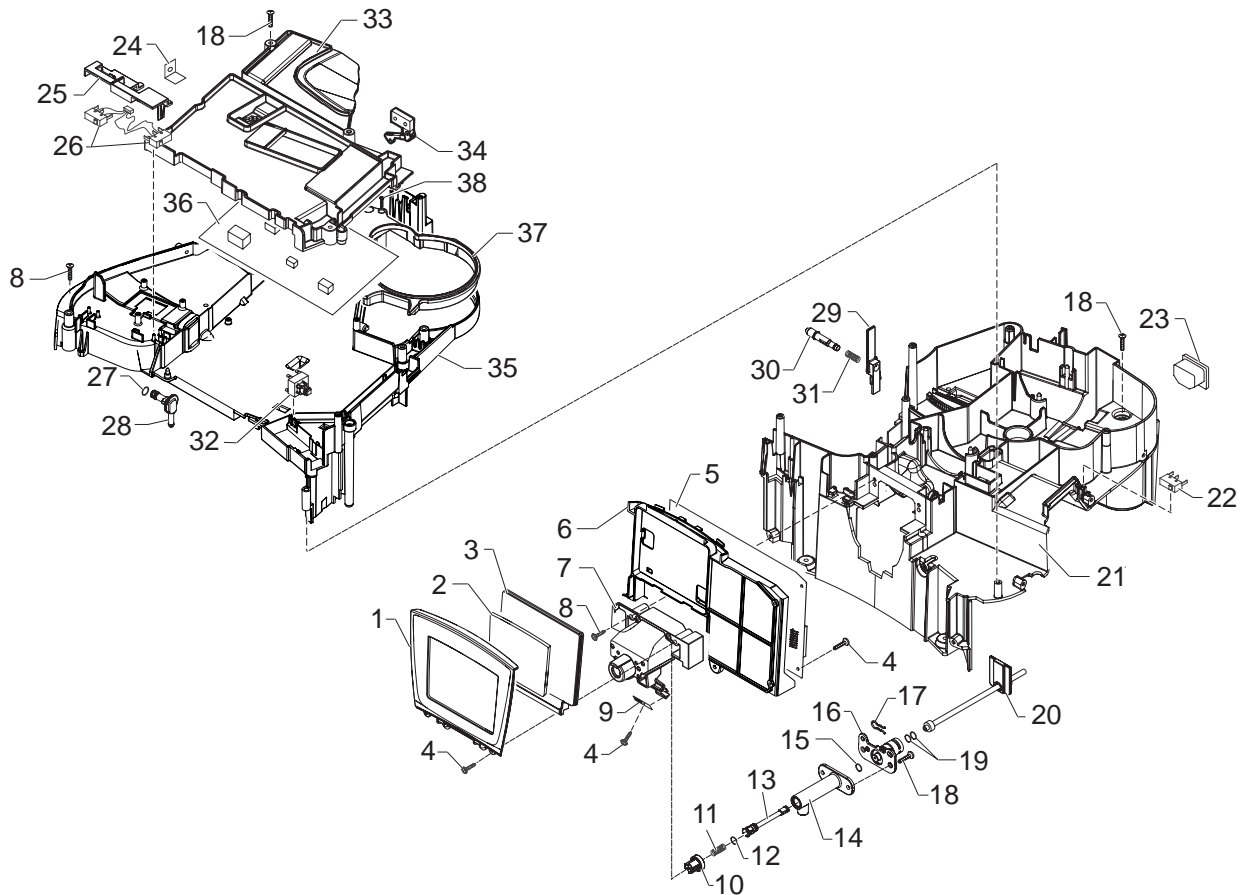


Saeco SUP030BD
INTERNATIONAL GROUP

CE Cod.10001837-38-69

POS	CODICE	DESCRIZIONE	NOTE
01	11005116	GRIGLIA VASCA REC.ACQ.P124 INOX	
02	11005388	GALLEG.VASCA REC.ACQUA GRIGL.IN.P124 ROS	
03	11007935	VASCA RECUP.ACQUA V3 P124 VERN.CARB/TXT	
04	11000113	RUOTA X SUPP.VASCA REC.ACQUA P124 NER	
05	11000081	INGR.Z=17 X SUPPOR.VASC.REC.ACQ.P124 NER	
06	11000224	INSER.X REGISTRO RUOTA SUPP.VASCH.P124	
07	11000115	PIASTRINA X FISSAGG.VITE SENZA FINE P124	
08	11000586	ALBERO X INGR.VASC.MOBIL.P124 TROPICALIZ	
09	11002273	SUPP.VASCA REC.ACQUA P124 VER.CARB/TXT	
10	11002269	PROT.MOVIM.VASCA REC.ACQ.P124 VER.SPEC.	
11	11000588	SUP.SCHEDA 2SENS.X VASC.MOBILE P124 NER.	
12	11000585	SCHEDA 2SENS.CAPACITIVI X VASCH.MOB.P124	
13	11000070	COPERT.CAVET.SENSORI CAPACITIVI P124 NER	
14	U140.006	PANELVIT TCB 2,5X10 DIN 7505 B ZNP	
15	12000450	VITE TCB TORX 10 3,5X12 PLAST.ZN-N	
16	12000065	AS.MOTORE SAIA UCL X VASCHET.MOBILE P124	
17	11000114	SUPP.X MOVIM.SUP.VASCA REC.ACQ.P124 NER	
18	11000662	AS.MICROINTERR.VASCA RECUP.ACQUA P124	
19	11002293	PROTEZ.INF.MOVIM.VASCA REC.ACQ.P124 NER.	
20	11007725	FONDO CARCASSA V2 P124 NERO	
21	11000223	RUOTA X FONDO CARCASSA P124 NERA	
22	11000273	INSERTO X CHIUSURA FONDO P124 NERO	

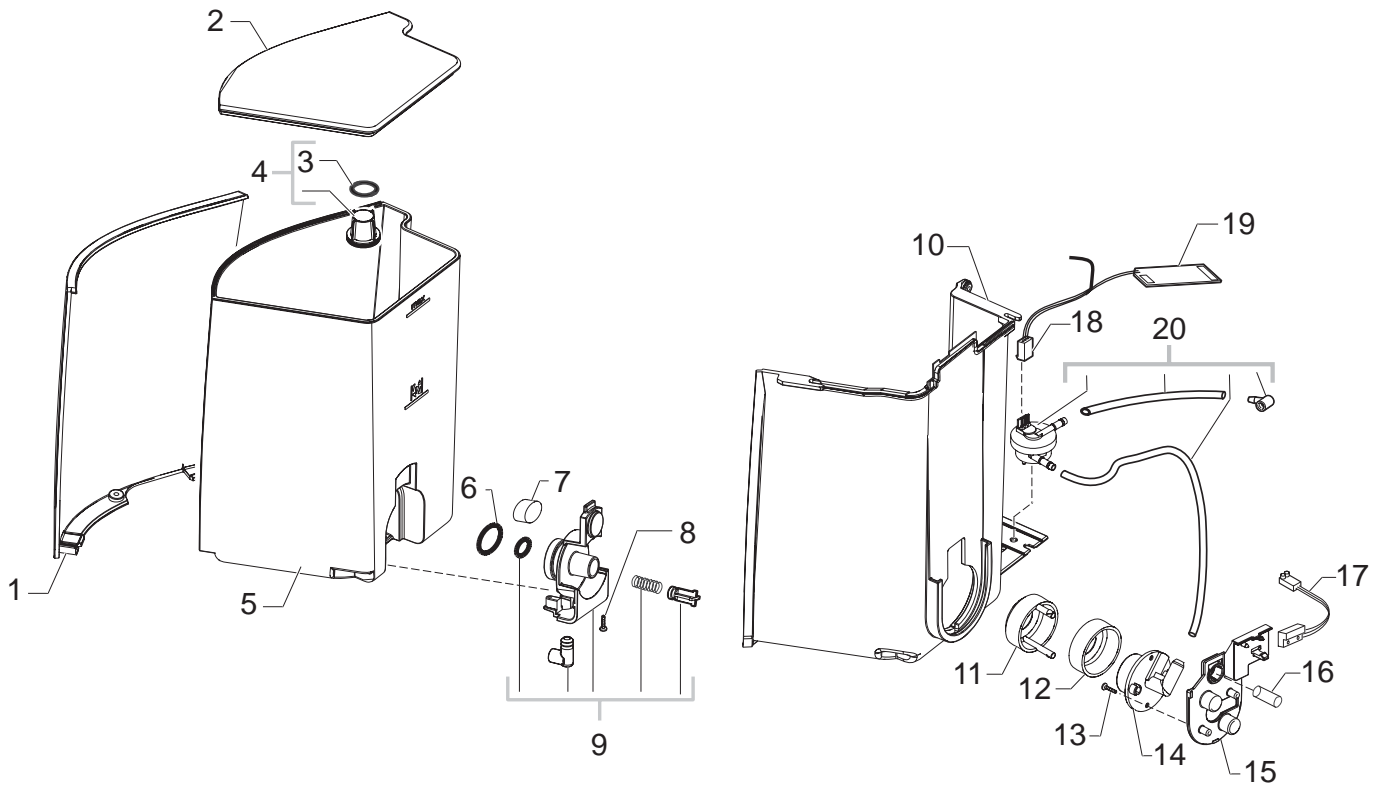
POS	CODE	DESCRIPTION	NOTE
01	11005116	STAINLESS STEEL GRATE FOR DRIP TRAY P124	
02	11005388	RED FLOAT FOR DRIP TRAY P124	
03	11007935	TXT/CARBONA DRIP TRAY V3 P124	
04	11000113	BLACK WHELL FOR DRIP TRAY SUPPORT P124	
05	11000081	GEAR Z=17 FOR MOBILE TRAY SUPPORT P124	
06	11000224	INSERT FOR ADJUSTMENT TRAY WHEEL P124	
07	11000115	FIXING PLATE FOR FEEDING SCREW P124	
08	11000586	MOBILE DRIP TRAY GEARS SHAFT P124	
09	11002273	TXT/CARBONA DRIP TRAY SUPPORT P124	
10	11002269	SPECCHIATO DRIP TRAY PROT.SUPPORT P124	
11	11000588	BLACK SENSOR BOARD SUPPORT P124	
12	11000585	MOBILE DRIP TRAY SENSOR BOARD P124	
13	11000070	BLACK COVER FOR SENSORS CABLES P124	
14	U140.006	PANELVIT TCB 2,5X10 DIN 7505 B GAL	
15	12000450	SCREW TCB TORX 10 3,5X12 PLAST.GALVANIZ	
16	12000065	SAIA UCB MOTOR FOR P124 MOBILE TRAY ASSY	
17	11000114	SUPPORT FOR DRIP TRAY SUPPORT HANDLING	
18	11000662	MICROSWITCH DRIP TRAY P124 ASSY.	
19	11002293	BLACK LOWER DRIP TRAY PROT.SUPPORT P124	
20	11007725	BLACK CASING BOTTOM V2 P124	
21	11000223	BLACK WHEEL FOR CASING BOTTOM P124	
22	11000273	INSERT FOR CASING BOTTOM CLOS. P124INS	



Saeco SUP030BD
INTERNATIONAL GROUP

CE Cod.10001837-38-69

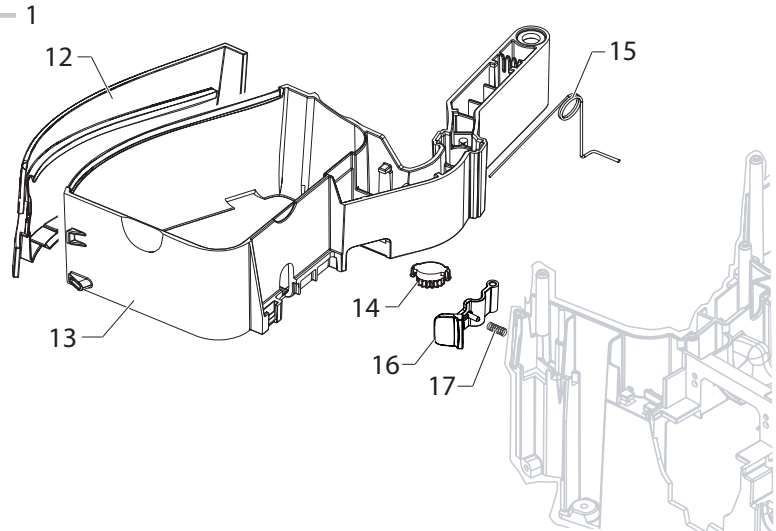
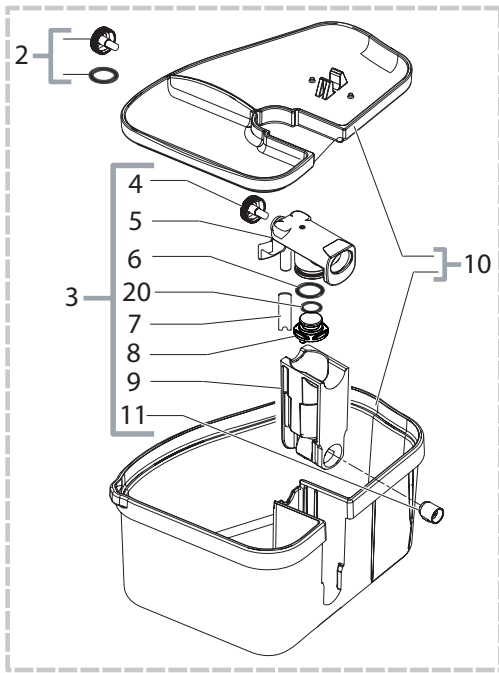
POS	CODICE	DESCRIZIONE	NOTE	POS	CODE	DESCRIPTION	NOTE
01	11006032	CORNICE DISPLAY V2 P124/B VERN.SPECCH.		01	11006032	SPECCHIATO DISPLAY FRAME V2 P124/B	
02	12000000	DISPLAY C/TOUCH SCREEN 320xH240 BIAN/NER		02	12000000	320(W) 240(H) DISPLAY WITH TOUCH PANEL	
03	11000776	GUARNIZ.TOUCH SCREEN BIANCO/NERO P124		03	11000776	BLACK/WHITE TOUCH SCREEN SEAL P124	
04	U140.006	PANELVIT TCB 2,5X10 DIN 7505 B ZNP		04	U140.006	PANELVIT TCB 2,5X10 DIN 7505 B GAL	
05	11007027	AS.CPU+SW/V1B P124/B	230V	05	11007027	AS.CPU+SW/V1B P124/B	230V
06	11005488	SUPPORTO DISPLAY V2 P124/B		06	11005488	DISPLAY SUPPORT V2 P124/B	
07	11005498	SUPPORTO SBS P124		07	11005498	SBS SUPPORT P124	
08	129661702	VITE TCB TORX 10 3,5X30 PLAST.ZN-B		08	129661702	SCREW TCB TORX 3,5X30 PLAST.ZN-B	
09	11000686	SCHEDA EL.LED ILLUMINAZION.TAZZE P124 5V		09	11000686	5V.LED BOARD P124	
10	149198700	SUPPORTO ASTA REGOLAZIONE CREMA		10	149198700	SUPPORT CREAM ADJUSTMENT SHAFT	
11	126772518	MOLLA X ASTA REGOLAZIONE CREMA		11	126772518	SPRING FOR CREAM ADJUSTMENT SHAFT	
12	140326661	OR METRICO 0040-20 IN EPDM		12	140326661	OR METRIC 0040-20 IN EPDM	
13	140640200	ASTA REGOLAZIONE CREMA		13	140640200	CREAM ADJUSTMENT SHAFT	
14	11000290	TUBO EROGAZIONE CAFFE' P124 NERO		14	11000290	BLACK COFFEE DISPENSER TUBE P124	
15	12000070	OR METRICO 0060-15 IN SILICONE		15	12000070	OR METRIC 0060-15 IN SILICONE	
16	11002130	RACCORDO FAST LOCK X EROGAT.P0053 NERO		16	11002130	FAST LOCK CONNECTOR FOR EROGATOR P0053	
17	9011.144	FORCELLA X TUBO D.4		17	9011.144	FORK FOR TUBE D.4	
18	12000450	VITE TCBR TORX 10 3,5X12 PLAST.ZN-N		18	12000450	SCREW TCBR TORX 10 3,5X12 PLAST.GALVANIZ	
19	140328059	OR 2015 IN SILICONE PTFE/FDA		19	140328059	OR 2015 IN SILICONE PTFE/FDA	
20	11007459	AS.TUBO TEFLON 2X4 L=110+PIASTR+BOC.P124		20	11007459	TEFLON TUBE 2X4 L=110+PLATE+BUSH ASSY.	
21	11005439	PIASTRA ORIZZONTALE MONT.V2 P124 NERO		21	11005439	BLACK HORIZONTAL PLATE V2 P124	
22	11000606	AS.MICROINTERRUTTORE SPORTELLO P124		22	11000606	MICROSWITCH DOOR P124 ASSY.	
23	12000280	PRESA A VASCETTA C/SMUSSI EN 60320 C 13		23	12000280	CUP SOCKET EN 60320 C 13	
24	12000071	LING.DOPPIA 6,3 D=4,3 <=90° 0010229202		24	12000071	DOUBLE TABS 6,3 D=4,3 <=90° 0010229202	
25	11000564	ATTUATORE X MICRO AUTOCAPPUCCINO P124 FINO MATR.9008PRI0091181		25	11000564	AUTOCAPPUC. MICROSWITCH ACTUATOR P124 UP TO S/N. 9008PRI0091181	
	11009509	ATTUATORE V2 MICRO AUTOCAPPUCCINO P124 DA MATR. 9008PRI0091182			11009509	AUTOCAPPMICROSWITCH ACTUATOR V2 P124 FROM S/N. 9008PRI0091182	
26	11000663	AS.MICROINT.PRESENZA VASCA LATTE P124		26	11000663	MICROSWITCH PRESENCE MILK BOX P124 ASS.	
27	11000193	GUARN.X RACCORDO USCITA LATTE P124 NER		27	11000193	MILK OUTLET SEAL P124	
28	11002191	RACCORDO LATTE/VAPORE CNT P124 NERO		28	11002191	BLACK CONNECTOR MILK/STEAM WITH NT P124	
29	11000291	PIASTRINA X RACCOR.LATTE/VAPORE P124 NER		29	11000291	BLACK MILK/STEAM CONNECTOR PLATE P124	
30	11002186	TUBO X PIASTRAC.LATTE/VAP.CNT P124 NER		30	11002186	MILK/STEAM CONNE.PLATE TUBE WITH NT P124	
31	11001694	MOLLA TUBO EROGAZIONE LATTE P124 ACC.		31	11001694	MILK TUBE SPRING P124	
32	11007060	INTERRUTTORE GENERALE P124		32	11007060	GENERAL SWITCH FOR P124	
33	11000570	COPERCHIO SCHEDA ELETTRON.P124 NERO		33	11000570	BLACK ELECTRONIC BOARD COVER P124	
34	11002857	AS.SENSORI MC+MICRO CONT.CAFFE' P124		34	11002857	SENSORS GRINDER+MICRO COFFEE CON. P124	
35	11005450	PIASTRA SUPP.SCHEDA ELET.V2 P124 NERO FINO MATR.9007PRI0078666		35	11005450	BLACK ELECT.BOARD SUPP.SUPPORT PLATE V2 P124 UP TO S/N. 9007PRI0078666	
	11007948	PIASTRA SUPP.SCHEDA ELET.V3 P124 UL NERO DA MATR. 9007PRI0078667			11007948	BLACK ELECTR.BOARD SUPP.PLATE V3 P124 UL FROM S/N. 9007PRI0078667	
36	11007029	AS.PWR+SW/V1B P124/B	230V	36	11007029	AS.PWR+SW/V1B P124/B	230V
37	11005698	COPERCHIO MACINACAF.P124/A-B-C NERO DA MATR. 9007PRI0078667		37	11005698	BLACK COFFEEGRINDER COVER P124/A-B-C FROM S/N. 9007PRI0078667	
38	129914002	VITE TCB TORX 10 3,5X16 PLAST.ZN-B DA MATR. 9007PRI0078667		38	129914002	SCREW TCB TORX 10 3,5X16 PLAST.ZN-B FROM S/N. 9007PRI0078667	



Saeco SUP030BD
INTERNATIONAL GROUP

CE Cod.10001837-38-69

POS	CODICE	DESCRIZIONE	NOTE	POS	CODE	DESCRIPTION	NOTE
01	11002284	COPERT.LAT.CONT.ACQUA P124 VER.MEZZAN.		01	11002284	MEZZANOTTE RIGHT WATER TANK COVER P124	
02	11000250	COPERCHIO CONTENITORE ACQUA P124 NERO		02	11000250	BLACK WATER CONTAINER LID P124	
03	140328461	OR METRICO 0190-10 IN EPDM		03	140328461	EPDM OR METRIC 0190-10	
04	224640200	AS.FILTRO ESTERNO X CONTENITORI ACQUA		04	224640200	EXTERNAL FILTER FOR WATER CONTAINER AS.	
05	11000228	CONTENITORE ACQUA P124 GRIG/NATURALE		05	11000228	NATURAL/GREY WATER CONTAINER P124	
06	NM01.016	OR 3068 SILICONE		06	NM01.016	OR 3068 SILICONE	
07	11003076	MAGNETE D=12 P124		07	11003076	D=12 MAGNET P124	
08	U140.006	PANELVIT TCB 2,5X10 DIN 7505 B ZNP		08	U140.006	PANELVIT TCB 2,5X10 DIN 7505 B GAL	
09	20000452	KIT RICAMBIO COPERT.USCITA CONT.ACQ.P124		09	20000452	SPARES KIT WATER TANK OUTLET COVER P124	
10	11010424	SUPP.CONT.ACQUA C/GUARN.V2 P124 NERO		10	11010424	BLACK WATER CONTAINER SUPPORT V2 P124	
11	11000255	COPERTURA CONT.GUARN.VALVOLA P124 NER		11	11000255	BLACK COVER FOR VALVE SEAL CONTAIN. P124	
12	145842900	GUARNIZ.GACO DIM 14 X VALV.CONTEN.ACQUA		12	145842900	WATER CONTAIN.VALVE SEAL GACO DIM14	
13	129535721	VITE TSP 3,5X9,5 DIN 7982 INOX		13	129535721	SCREW TSP3,5X9,5 DIN 7982 SS	
14	11000254	CONTENITORE GUARNIZ. X VALVOLA P124 NER		14	11000254	BLACK VALVE SEAL CONTAINER P124	
15	11000253	PIASTRA SUPPORT. VALVOLA ACQUA P124 NER		15	11000253	BLACK WATER VALVE SUPPORT PLATE P124	
16	11003040	CILINDRO D=10 X SUPPOR.CONT.ACQUA P124		16	11003040	WATER CONTAINER SUPPORT D=10 CYLINDER	
17	11002854	SENS.REED MK4-1A71-BV14597 LIV.ACQ.P124		17	11002854	REED SENSOR MK4-1A71-BV14597 P124	
18	11000608	AS.CONNETT.6POLI LIVELLO+TURBINA P124		18	11000608	6POLES CONNECTOR LEVEL+FLOWMETER P124	
19	11000651	SCHEDA SENSORE CAPACITIVO LIV. ACQ. P124		19	11000651	WATER LEVEL SENSOR BOARD P124	
20	11007554	AS.TURBINA V2 P124		20	11007554	TURBINE V2 P124 ASSY.	

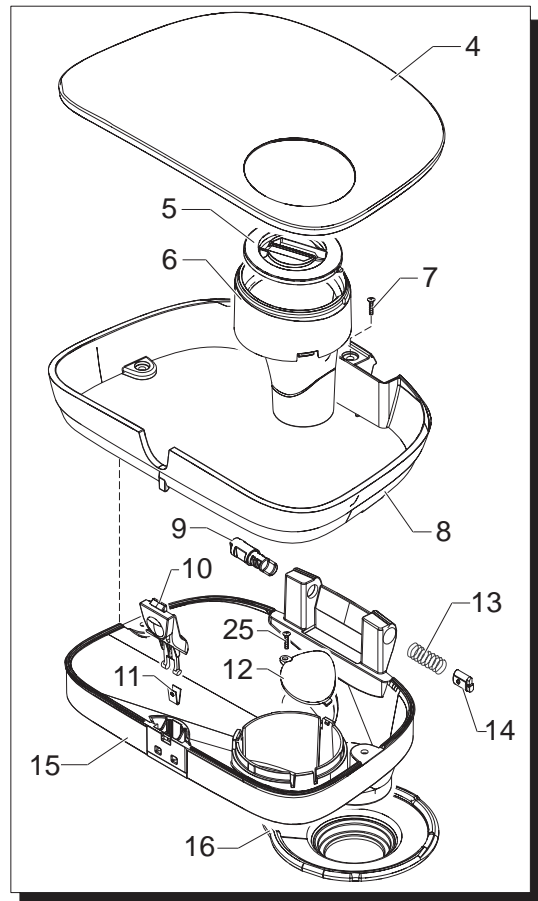
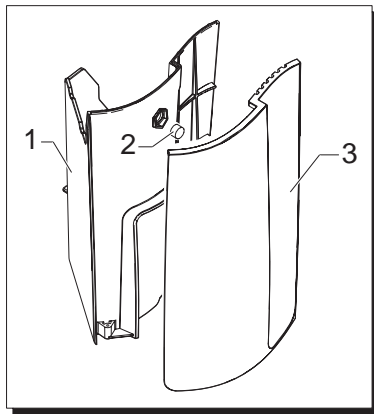
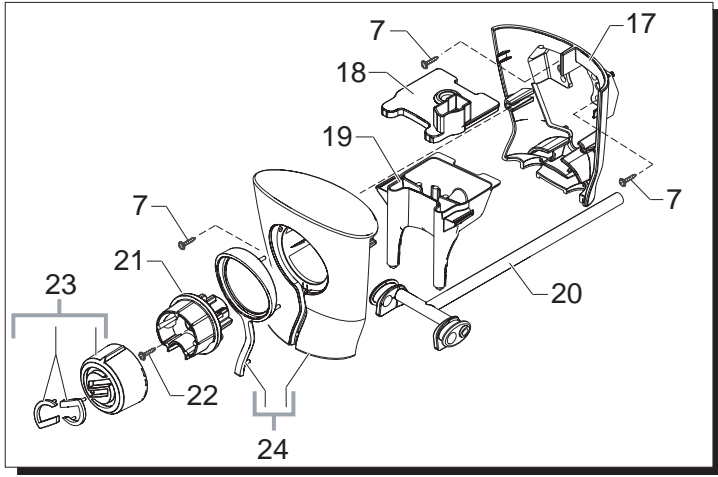


Saeco SUP030BD
INTERNATIONAL GROUP



Cod.10001837-38-69

POS	CODICE	DESCRIZIONE	NOTE	POS	CODE	DESCRIPTION	NOTE
01	20000710	KIT RICAMBIO CAPPUCCINATORE V2 P124		01	20000710	SPARES KIT FOR CAPPUCCINATORE V2 P124	
02	11006010	AS.RICAMBI CAPPUCCINATORE V2 P124		02	11006010	CAPPUCCINATORE V2 SPARE PARTS P124 ASS.	
03	11006073	AS.CAPPUCCINATORE V2 P124		03	11006073	CAPPUCCINATORE V2 P124 ASSY.	
04	11005218	REGOLAT.FLUSSO LATTE-ARIA C/NT P124 BIA.		04	11005218	REGULATOR OF FLOW MILK-AIR WITH NT P124	
05	11005215	EROGATORE X CAPPUCCIN.OR C/NT P124 NER.		05	11005215	BLACK CAPPUCCINAT.DISPENSER WITH NT P124	
06	140322261	OR 2050 IN EPDM		06	140322261	OR 2050 IN EPDM	
07		PARTICOLARE NON DISPONIBILE	VEDI PART. N°03	07		PARTICULAR NOT AVAILABLE	SEE PART. N°03
		FINO MATR.9008PRI0099616				UP TO S/N. 9008PRI0099616	
	11010087	TUBO X CAPPUCCINATORE P124 NERO			11010087	BLACK TUBE FOR CAPPUCCINATORE P124	
		DA MATR. 9008PRI0099617				FROM S/N. 9008PRI0099617	
08		PARTICOLARE NON DISPONIBILE	VEDI PART. N°03	08		PARTICULAR NOT AVAILABLE	SEE PART. N°03
		FINO MATR. 9008PRI0099616				UP TO S/N. 9008PRI0099616	
	11010022	TUBO VENTURI V2 X CAPPUCCINAT.C/NT P124			11010022	VENTURI TUBE V2 CAPPUCCINAT.WITH NT P124	
		DA MATR. 9008PRI0099617				FROM S/N. 9008PRI0099617	
09	11005217	CORPO CAPPUC.POSTCAMERA C/NT P124 NER		09	11005217	BLACK CAPPUCCINATOR.CASING WITH NT P124	
10	20000540	KIT RICAMB.CONT.LATTE+COOPERCH.P124 NERO		10	20000540	SPARES KIT MILK CONTAINER + COVER P124	
11	11004917	GUARNIZ.USCITA LATTE CAPP.C/NT P124 NERO		11	11004917	BLACK MILK OUTLET SEAL P124	
12	11005455	COPERT.SUPP.CONT.LATTE/V2 P124 VER.MEZZ.		12	11005455	MEZZANOT. COVER FOR MILK CONT.SUPPOR/V2	
13	11005438	SUPPORTO CONTENITORE LATTE V2 P124 NER.		13	11005438	BLACK MILK CONTAINER SUPPORT V2 P124	
14	11000679	INGRANAGGIO VISCOSO X GUIDA LATTE P124		14	11000679	VISCOUS GEAR FOR MILK GUIDE P124	
15	11000739	MOLLA SUPPORTO CONTENIT.LATTE P124 ACC.		15	11000739	MILK CONTAINER SUPPORT SPRING P124	
16	11005393	TASTO SGANC.SUPP.CONT.LAT.P124 VER.MEZZ.		16	11005393	MEZZANOT. BUTTON MILK CONT.SUPPORT P124	
17	11005395	MOLLA TASTO SGANC.SUPP.CONT.LAT.P124 AC.		17	11005395	MILK CONTAINER SUPPORT SPRING P124	
18	11005293	AS.VALVOLA AUTOCAPPUCCINO S/MICRO P124		18	11005293	AUTOCAPPUCCINO VALVE W/O.MICRO P124 AS.	
19	U140.006	PANELVIT TCB 2,5X10 DIN 7505 B ZNP		19	U140.006	PANELVIT TCB 2,5X10 DIN 7505 B GAL	
20	WGADM0041/103	OR 2031 IN EPDM 70°SH		20	WGADM0041/103	OR 2031 IN EPDM 70°SH	
		DA MATR. 9008PRI0099617				FROM S/N. 9008PRI0099617	

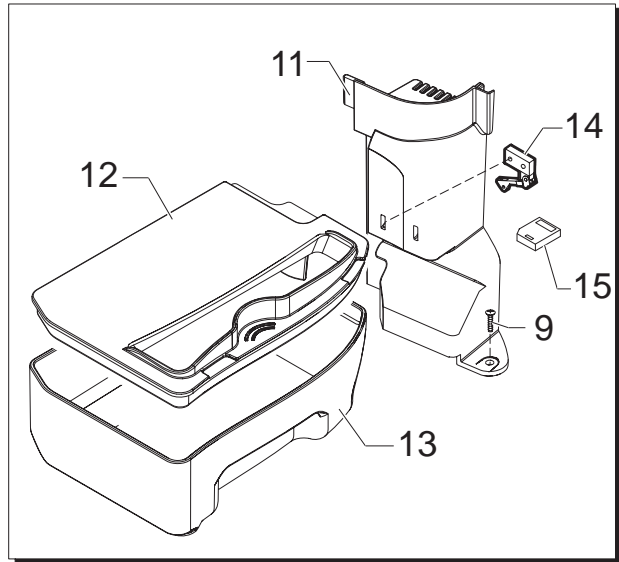
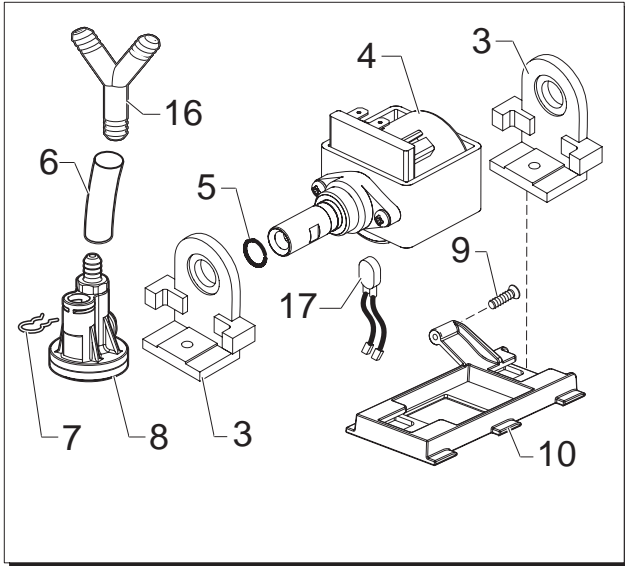
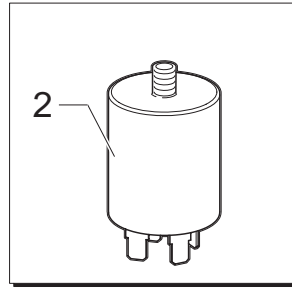
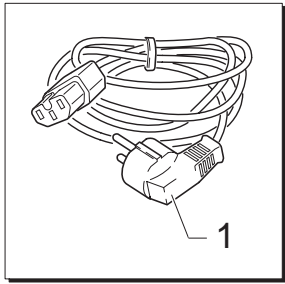


Saeco SUP030BD
INTERNATIONAL GROUP

CE Cod.10001837-38-69

POS	CODICE	DESCRIZIONE	NOTE
01	11005849	CASSETTO RACCOGLI FONDI P124 NERO SER.	
02	11003040	CILINDRO D=10 X SUPPOR.CONT.ACQUA P124	
03	11006474	COPERT.ANT.CAS.FONDI V2 P124 VE.MEZZANOT	
04	11006148	COP.CONT.CAF.GRANI C/GUARN.P124/D GRINAT	
05	11000061	COPER.TRAMOGGIA CAF.MACIN.P124 GRIG/NAT	
06	11000060	TRAMOGGIA DOSE CAF.MACINAT. P124 GRINAT	
07	129914002	VITE TCB TORX 10 3,5X16 PLAST.ZN-B	
08	11000048	ANELLO X CONT.CAFFE' GRANI P124 GRINAT.	
09	11002571	ATTUATORE X MICRO APER.COP.CON.CAF.P124	
10	11007379	TASTO SGANC.CONT.CAF.GRA.P124 SPECCH.	
11	11001693	MOLLA TASTO COP.CONT.CAF.GRANI P124 ACC.	
12	11002294	COPERCHIO X REGOL.MACINATURA P124 NERO	
13	11000790	MOLLA COPERCHIO CONT.CAF.GRANI P124 AC.	
14	147472750	PERNO BLOCCAGGIO MOLLA SMART1 DIGIT	
15	11000066	CONTENITORE CAFFE' GRANI P124 NERO	
16	11000191	GUARNIZ.CONTENIT.CAFFE' GRANI P124 NERO	
17	11004694	COPERT.POST.EROG.CAF.P124 CROMLUCIDO	
18	11000192	TAPPO X CORPO EROGAT.CAFFE' P124 NERO	
19	11000285	CORPO EROGATORE CAFFE' P124 NERO	
20	11002187	TUBO A T EROGAZIONE LATTE C/NT P124 NERO	
21	11007420	RACCORDO INTERNO EROG.CAF.V2 P124 NERO	
22	129913902	VITE TCB TORX 10 3X12 PLAST.ZN-B	
23	11007378	AS.POMELLO REG.CREMA V2 P124 CROMLUC.	
24	11005496	AS.COPER.ANT.EROG.CAF.P124 CROMLUC.SER	
25	U140.006	PANELVIT TCB 2,5X10 DIN 7505 B ZNP	

POS	CODE	DESCRIPTION	NOTE
01	11005849	BLACK DUMP BOX P124 SILK/SCREEN	
02	11003040	WATER CONTAINER SUPPORT D=10 CYLINDER	
03	11006474	MEZZANOT. FRONT DUMP BOX COVER V2 P124	
04	11006148	NATUR/GREY BEAN COFF.CONTAINER LID P124D	
05	11000061	GROUND COFFEE HOPPER LID NATURAL/GREY	
06	11000060	NATUR/GREY HOPPER FOR POWDER COF. P124	
07	129914002	SCREW TCB TORX 10 3,5X16 PLAST.ZN-B	
08	11000048	NATUR/GREY RING FOR BEANS CONTAIN. P124	
09	11002571	BEAN COFFEE CONT.LID MICRO ACTUATOR P124	
10	11007379	SPECCHIATO BUTTON FOR BEANS CONTAINER	
11	11001693	BEANS CONTAINER COFF.BUTTON SPRING P124	
12	11002294	BLACK GRINDER REGULATION COVER P124	
13	11000790	BEANS COFF. CONTAINER COVER SPRING P124	
14	147472750	PIN FOR DEADLOCK SPRING SMART1 DIG.	
15	11000066	BLACK BEAN COFFEE CONTAINER P124	
16	11000191	BLACK BEAN COFFEE CONTAINER SEAL P124	
17	11004694	CHROMED REAR COFF. DISPENSER COVER P124	
18	11000192	BLACK CAP COFFEE DISPEN.HEAD BODY P124	
19	11000285	BLACK COFFEE DISPENSER BODY P124	
20	11002187	BLACK MILK DISPENSER TUBE W/OUT NT P124	
21	11007420	INTERNAL CONN.V2 FOR COFFEE DISPENSER	
22	129913902	SCREW TCB TORX 10 3X12 PLAST.ZN-B	
23	11007378	CHR/PLAT.CREAM ADJUSTM.KNOB V2 P124 AS.	
24	11005496	FRONT COVER COFFEE DISPENSER P124 ASSY.	
25	U140.006	PANELVIT TCB 2,5X10 DIN 7505 B GAL	

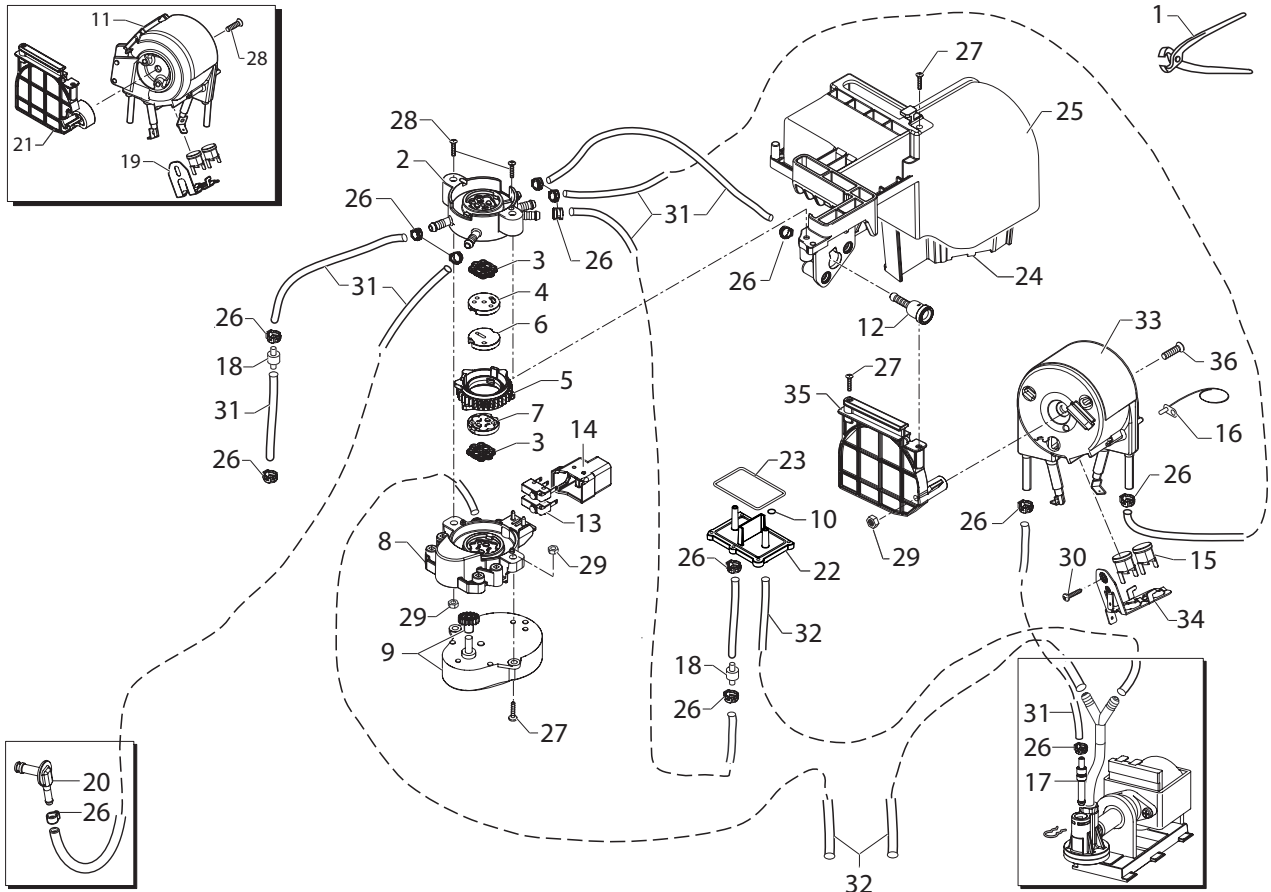


Saeco SUP030BD
INTERNATIONAL GROUP

CE Cod.10001837-38-69

POS	CODICE	DESCRIZIONE	NOTE
01	183911050	CAVO AL.SCHUKO 3X1 H05VV-F NER. L=1200MM	
	183930650	CAVO AL.CH 3X1 H05VV-F NER.L=1200MM	
02	12000005	FILTRO ANTIDIST.10A F.NC.10.05.474.103.P	
03	11001302	INSERTO X SUPPORTO POMPA P124 NERO	
04	12000140	POMPA ULKA EP5/S GW	230V-50HZ
05	140321961	OR 2031 IN TERMOIL	
06	JS01.022	TUBO SILICONE 5X10 60 SHORE IN MATASSA	
07	9011.144	FORCELLA X TUBO D.4	
08	229452100	AS.VALV.DI COMPENS.E SICUREZ.C/OR 16BAR	
09	U140.014	PANELVIT TCB 3,5X16 DIN 7505 B ZNP	
10	11000063	SUPPORTO POMPA X P124 NERO FINO MATR. 9007PRI0065848	
11	11000080	SUPP.SENSORE VASCA REC.ACQU.P124 NERO	
12	11002466	COPERCHIO VASCA INT.REC.ACQUA P124 NER.	
13	11000277	VASCA INTERNA RECUPERO ACQUA P124 NER.	
14	11000664	AS.MICRO.PRESENZ+LIVEL.VASCA INT.P124	
15	11000651	SCHEDA SENSORE CAPACITIVO LIV.ACQ.P124	
16	NV99.004	RACCORDO A T MORONI 8026047 D=8	
17	11000623	AS.CONNETTORE 2POLI POMPA P124	

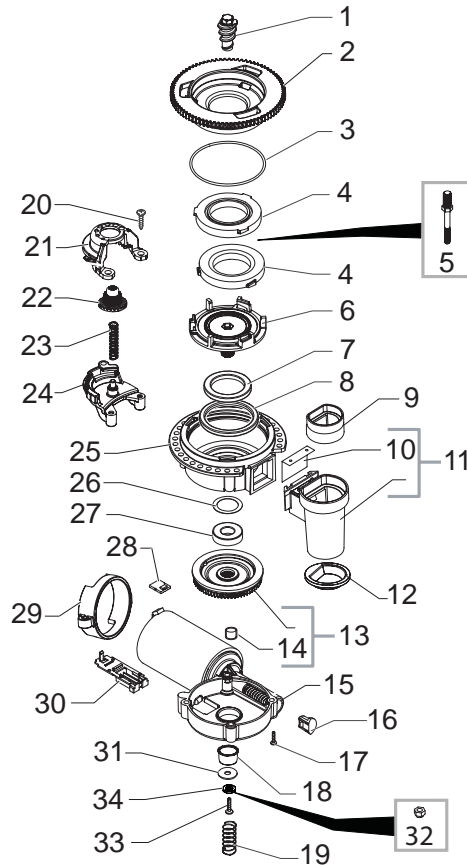
POS	CODE	DESCRIPTION	NOTE
01	183911050	POWER CABLE SCHUKO BLACK L=1200MM	
	183930650	PO.CABL.CH BLACK 3X1 H05VV-F L=1200MM	
02	12000005	ANTIDISTURB FILTER 10A FNC 1005474103P	
03	11001302	BLACK INSERT FOR PUMP SUPPORT P124	
04	12000140	ULKA PUMP EP5/S GW	230V-50HZ
05	140321961	OR 2031 IN TERMOIL	
06	JS01.022	SILICONE TUBE 5X10 60 SHORE IN ROLL	
07	9011.144	FORK FOR TUBE D.4	
08	229452100	COMPENSATION AND SAFETY VALVE 16BAR AS.	
09	U140.014	PANELVIT TCB 3,5X16 DIN 7505 B GAL	
10	11000063	BLACK PUMP SUPPORT P124 UP TO S/N. 9007PRI0065848	
11	11000080	SUPPORT FOR SENSOR FOR DRIP TRAY P124	
12	11002466	BLACK INTERNAL DRIP TRAY LID P124	
13	11000277	BLACK INTERNAL DRIP TRAY P124	
14	11000664	MICROSW.PRESENCE+LEVEL INT.BOX P124 AS.	
15	11000651	WATER LEVEL SENSOR BOARD P124	
16	NV99.004	CONNECTOR T MORONI 8026047 D=8	
17	11000623	2POLES CONNECTOR PUMP P124	



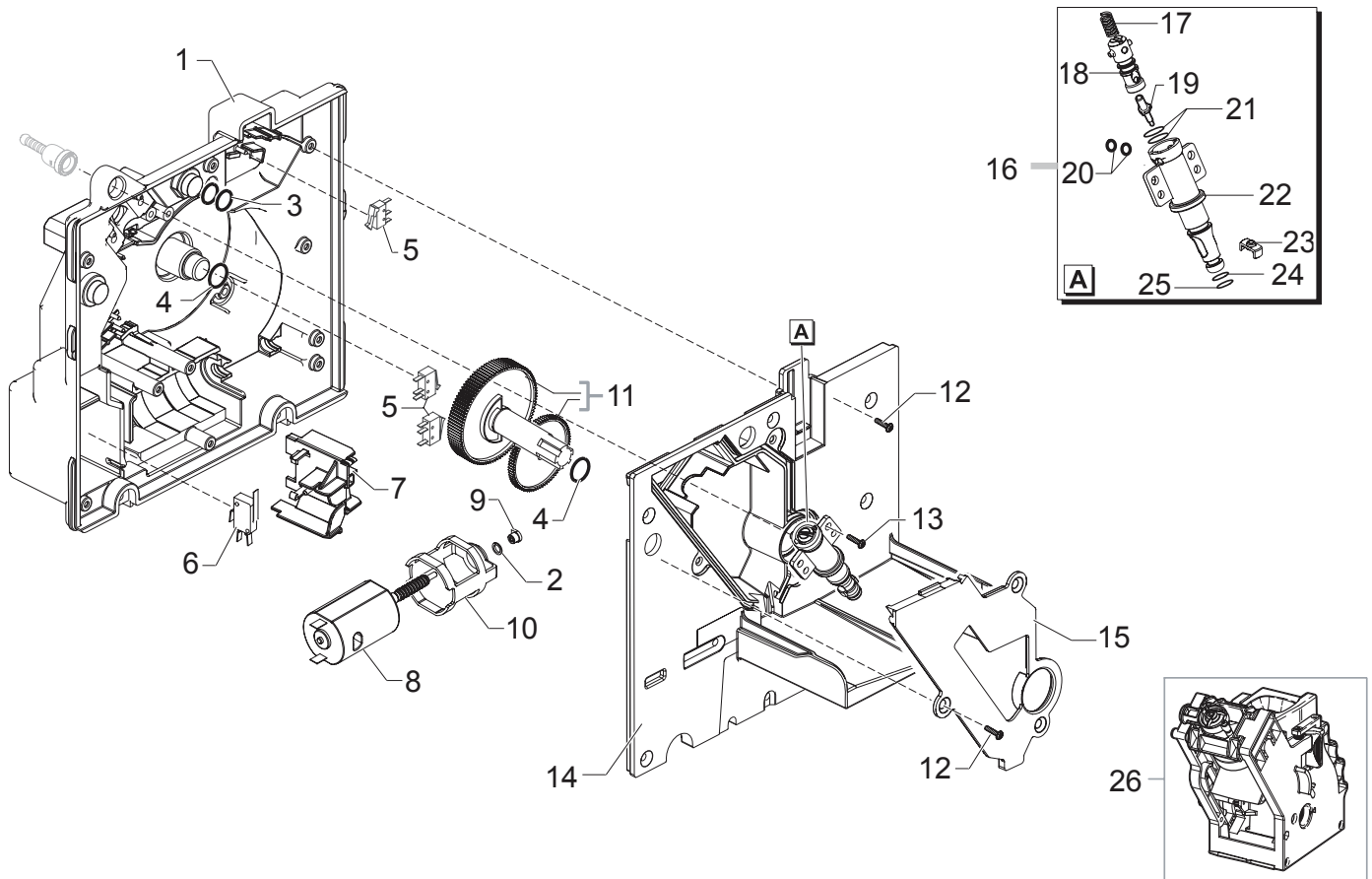
Saeco SUP030BD
INTERNATIONAL GROUP

CE Cod.10001837-38-69

POS	CODICE	DESCRIZIONE	NOTE	POS	CODE	DESCRIPTION	NOTE
01	12000404	ACC FAN FOR HPDS/2-B 12V		01	12000404	PLIERS OETIKER COD.FORN.14100082	
02		PARTICOLARE NON DISPONIBILE	VEDI ASS. MULTIVALV.	02		PARTICOLARE NON DISPONIBILE	SEE KIT FOR VALVE
03		PARTICOLARE NON DISPONIBILE	VEDI ASS. MULTIVALV.	03		PARTICOLARE NON DISPONIBILE	SEE KIT FOR VALVE
04		PARTICOLARE NON DISPONIBILE	VEDI ASS. MULTIVALV.	04		PARTICOLARE NON DISPONIBILE	SEE KIT FOR VALVE
05		PARTICOLARE NON DISPONIBILE	VEDI ASS. MULTIVALV.	05		PARTICOLARE NON DISPONIBILE	SEE KIT FOR VALVE
06		PARTICOLARE NON DISPONIBILE	VEDI ASS. MULTIVALV.	06		PARTICOLARE NON DISPONIBILE	SEE KIT FOR VALVE
07		PARTICOLARE NON DISPONIBILE	VEDI ASS. MULTIVALV.	07		PARTICOLARE NON DISPONIBILE	SEE KIT FOR VALVE
08		PARTICOLARE NON DISPONIBILE	VEDI ASS. MULTIVALV.	08		PARTICOLARE NON DISPONIBILE	SEE KIT FOR VALVE
09	12000068	AS.MOTORIDUT.SAIA X VALVOL.MULTIVIE P124		09	12000068	RATIOMOTOR FOR MULTITWAY VALVE P124 ASSY.	
10	140321462	OR 2018 IN SILICONE		10	140321462	OR 2018 IN SILICONE	
11	11000671	AS.CALD.TUBOL/V4 C/RES.SUPPL. FINO MATR. 9008PRI0108171	230V-1300W	11	11000671	ALUM.BOILER/V4 WITH RES.ASSY. UP TO S/N. 9008PRI0108171	230V-1300W
12	11000323	RACCORDO X PERNO CALDAIA P124 NEUTRO		12	11000323	BOILER PIN CONNECTOR P124	
13	12000066	MICROINT.SAIA XCG5-U1Z1 C/ATTUATA FUNGO		13	12000066	MICROSWITCH SAIA XCG5-U1Z1	
14	11003069	COPERTURA MICRO VALV.MULTIVIE P124 NER.		14	11003069	BLACK COVER FOR VALVE MICROSWITCH P124	
15	12000804	TERMOSTATO 190° 1NT-08L-6067		15	12000804	THERMOSTAT 190° 1NT-08L-6067	
16	12000081	SENSORE TEMPERATURA NTC UL		16	12000081	TEMPERATURE SENSOR NTC UL	
17	11001460	RACC.FAST LOCK DIR.TUBO SIL.RETINATO		17	11001460	BLACK CONNECTOR FAST LOCK-SILICONE TUBE	
18	12000097	VALV.NON RITORNO PRESBL. RVNRP0505/SA		18	12000097	ONEWAY VALVE PRESBLOCK RVNRP0505/SA	
19	11000674	MOLLA X TERMOSTATI CALD.TUBOL/V4 ACC. FINO MATR. 9008PRI0108171		19	11000674	THERMOSTATES SPRING FOR BOILER UP TO S/N. 9008PRI0108171	
20	20000451	KIT RICAMBIO RACC.LATTE/VAPORE C/NT P124		20	20000451	SPARES KIT FOR CONNECTOR MILK/STEAM P124	
21	11000804	SUPPORTO CALDAIA P124/C NEUTRO FINO MATR. 9008PRI0108171		21	11000804	BOILER SUPPORT P124/C UP TO S/N. 9008PRI0108171	
22	11000765	DISSIPATORE X CALDAIA P124/B-C NERO		22	11000765	BLACK DISSIPATOR FOR BOILER P124/B-C	
23	11000764	GUARNIZIONE X DISSIPATORE P124		23	11000764	DISSIPATOR SEAL P124	
24	11001765	SUPPOR.CONNETTORI CALDAIA P124 NERO		24	11001765	BLACK BOILER CONNECTORS SUPPORT P124	
25	11000805	COPERTURA ISOLANTE CALDAIA P124/C NERA		25	11000805	BLACK INSULATING COVER BOILER P124/C	
26	12000892	FASCETTA OETIKER D=9,5 16700004		26	12000892	OETIKER CLAMP D=9,5 16700004	
27	129914002	VITE TCB TORX 10 3,5X16 PLAST.ZN-B		27	129914002	SCREW TCB TORX 10 3,5X16 PLAST.ZN-B	
28	U046.003	VITE TCBC M4,0X12 ROND.DENT.8,5 ZNP		28	U046.003	SCREW TCBC M4,0X12 INDENT. WASH.8	
29	U302.003	DADO ESAGONALE M4 UNI 5588 ZNP		29	U302.003	NUT HEXAGONAL M4 UNI 5588	
30	129573202	VITE TCB PH/TT 4X8 UNI 8112 ZNP		30	129573202	SCREW TCB PH/TT 4X8 UNI 8112 ZNP	
31	16000380	TUBO SIL.RETINATO 5X8,5 REHAU MATASSA		31	16000380	5X8,5 SILICONE TUBE IN ROLL	
32	9972.247	TUBO SILICON.5X10 L=2000MM 60 SHORE		32	9972.247	SILICONE TUBE 5X10 L.2000 MM	
33	11011341	ASS.CALD.TUBOL/V4 DA MATR. 9008PRI0108172	230V-1300W	33	11011341	ALUM.BOILER/V4 ASSY. FROM S/N. 9008PRI0108172	230V-1300W
34	11007907	MOLLA X TERMOSTATI CALD.TUBOL.V5 ACC. DA MATR. 9008PRI0108172		34	11007907	THERMOSTATES SPRING FOR BOILER FROM S/N. 9008PRI0108172	
35	11007617	SUPPORTO CALDAIA V2 P124/C NEUTRO DA MATR. 9008PRI0108172		35	11007617	BOILER SUPPORT V2 P124/C FROM S/N. 9008PRI0108172	
36	129932502	VITE TCEI 5X30 PLAST.ZN-B DA MATR. 9008PRI0108172		36	129932502	SCREW TCEI 5X30 PLAST.ZN-B FROM S/N. 9008PRI0108172	
	20000480	KIT RICAMB.VALV.MULTIVIE C/TUBI P124/B-C CON PART. N°02-03-04-05-06-07-08-09-13-14-20 26-27-28-29-31-32			20000480	SPARES KIT FOR VALVE P124/B-C WITH PART. N°02-03-04-05-06-07-08-09-13-14-20 26-27-28-29-31-32	



POS	CODICE	DESCRIZIONE	NOTE	POS	CODE	DESCRIPTION	NOTE
01	9141.001	VITE DI INCREMENTO MC IN OTTONE FINO MATR. 9008PRI0108437		01	9141.001	BRASS INCREMENT SCREW MC UP TO S/N. 9008PRI0108437	
	11011205	VITE DI INCREMENTO LUNGA MC ZAMA/TEA DA MATR. 9008PRI0108438			11011205	TEA/ZAMA INCREASE SCREW GRINDER FROM S/N. 9008PRI0108438	
02	149198250	SUPPORTO SUP.MACINA MACINACAF. V3 NERO		02	149198250	UPPER GRINDER SUPPORT COFFEEGRINDER	
03	140328960	OR METRICO 0530-15 IN NBR FDA		03	140328960	NBR FDA OR METRIC 0530-15	
04	146520100	MACINA 48X28 IN CERAMICA		04	146520100	BAKED CLAY GRINDER 48X28	
05	127473603	PERNO M4-M6 X VITE DI INCREMENTO AC/ZINC FINO MATR. 9008PRI0108437		05	127473603	STEEL PIN M4-M6 FOR INCREMENT SCREW UP TO S/N. 9008PRI0108437	
06	149198350	SUPPORTO INF.MACINA MACINACAF. V3 NERO		06	149198350	LOWER GRINDER SUPPORT COFFEEGRINDER	
07	123030300	CUSCINETTO ASSIALE EKKO 342.35252		07	123030300	AXIAL BEARING EKKO 342.35252	
08	140360500	ANELLO IN FELTRO DE=45,4 DI=39,4H=4		08	140360500	FELT RING 45,4X39,4X4	
09	145854360	GUARNIZ.SUP.CONT.CAFFE' MACINATO SMART1		09	145854360	GROUND COFFEE CONT.SEAL UPPER SMART1	
10	129024921	SQUADRETTA X CONVOGLIATORE USCITA CAF.		10	129024921	BRACKET FOR COFFEE OUTLET CONVEYOR	
11	11012564	AS.CONV.USCITA CAF.MACIN.V2 SMART1NER		11	11012564	GROUND COFFEE OUTLET CONVEYOR V2 ASSY.	
12	145854462	GUARNIZ.INF.CONT.CAFFE' MACINATO SMART1		12	145854462	GROUND COFFEE CONT.SEAL LOWER SMART1	
13	226000300	AS.ING.SX Z=38 X MOVIM.MACINA C/CALAMITA		13	226000300	GEAR SX Z=38 FOR GRINDER MOTION ASSY.	
14	122100300	CALAMITA X VENTOLA TURBINA		14	122100300	MAGNET FOR TURB. FAN	
15	11004354	AS.MOTORE MC/V3.1 MOD=1,25 SX IME	230V	15	11004354	MOTOR COFFEEGRINDER/V3.1 IME ASSY.	230V
16	149214800	TAPPO CENTRAG.VITE S/FINE MOD=1,25 MC/V3		16	149214800	CAP FOR WORM SCREW MC/V3 CENTRING	
17	129661702	VITE PANELVIT TCB 3,5X30 D.7505 ZNP		17	129661702	PANELVIT TCB SCREW 3,5X25 D.7505 ZN	
18	11002873	BOCCOLA ISOLANTE X MOTORE MC P124 NER.		18	11002873	INSULATOR BUSH FOR GRINDER MOTOR P124	
19	11000597	MOLLA DI SUPPORTO MOTORE MC P124 ACC.		19	11000597	COFFEE GRINDER SUPPORT SPRING P124	
20	129914002	VITE TCB 3,5X16 PLAST.ZN-B		20	129914002	SCREW TCB TORX 10 3,5X16 PLAST.ZN-B	
21	11002508	SUPPOR.SUP.INGR.REGOL.MACINAT.P124 NER.		21	11002508	UPPER GEAR SUPPORT COFFEEGRINDER P124	
22	11002509	INGRAN.Z=14-24 REGOL.MACIN.CAF.P124 NERO		22	11002509	COFFEE GRINDING ADJUSTMENT GEAR P124	
23	11002572	MOLLA REGOLAZIONE MACINACAFFE' P124 AC.		23	11002572	GRINDER REGULATION SPRING P124	
24	11002613	SUPPOR.INF.INGR.REGOL.MACINAT.P124 NERO		24	11002613	LOWER GEAR SUPPORT COFFEEGRINDER P124	
25	149205450	SUPP.INT.GEN+PRESA CAV.AL.SMART NER		25	149205450	SWITCH+SOCKET POWER CABL.SUPP.SMART	
26	128381800	RONDELLA DI BILANCIAMENTO 21,8X14X0,25		26	128381800	CRINKLE WASHER 21,8X15,8X0,2	
27	123030200	CUSCINETTO RADIALE 61900.2RS1		27	123030200	RADIAL BEARING 61900.2RS1	
28	181540900	BAS.ELET.C/SENSORE HAL 506 SF-K C/CONNET		28	181540900	ELECTRONIC BOARD WITH SENSOR HAL506	
29	11000194	SUPPORTO MOTORE MACINACAFFE' P124 NER.		29	11000194	BLACK GRINDER MOTOR SUPPORT P124	
30	149199050	SUPPORTO SENSORE TERMICO X MOTORE MC		30	149199050	SENSOR SUPPORT FOR COFF.GRIND.MOTOR	
31	128381902	RONDEL.PIANA DI=4,3 DE=14 SP=1,5 AC/ZINC		31	128381902	GALVAN.FLAT WASH.DI=4,3 DE=14 SP=1,5	
32	123453102	DADO AUTOBLOC.M4 DIN982 TYP ALTO ZN FINO MATR. 9008PRI0108437		32	123453102	SELF LOCK NUT M4 DIN 982 HIGH GALV. UP TO S/N. 9008PRI0108437	
33	129574802	VITE TCB M4X30 ZN-B DA MATR. 9008PRI0108438		33	129574802	SCREW TCB TORX 20 M4X30 ZN-B FROM S/N. 9008PRI0108438	
34	128310402	ROSETTA UNI 8842 A4 ZINCATA DA MATR. 9008PRI0108438		34	128310402	GALV.WASHER UNI 8842 A4 FROM S/N. 9008PRI0108438	
	11000676	AS.GEN.MOTORE MACINACAFFE' P124 230V			11000676	GENERAL MOTOR MC P124 230V ASSY.	



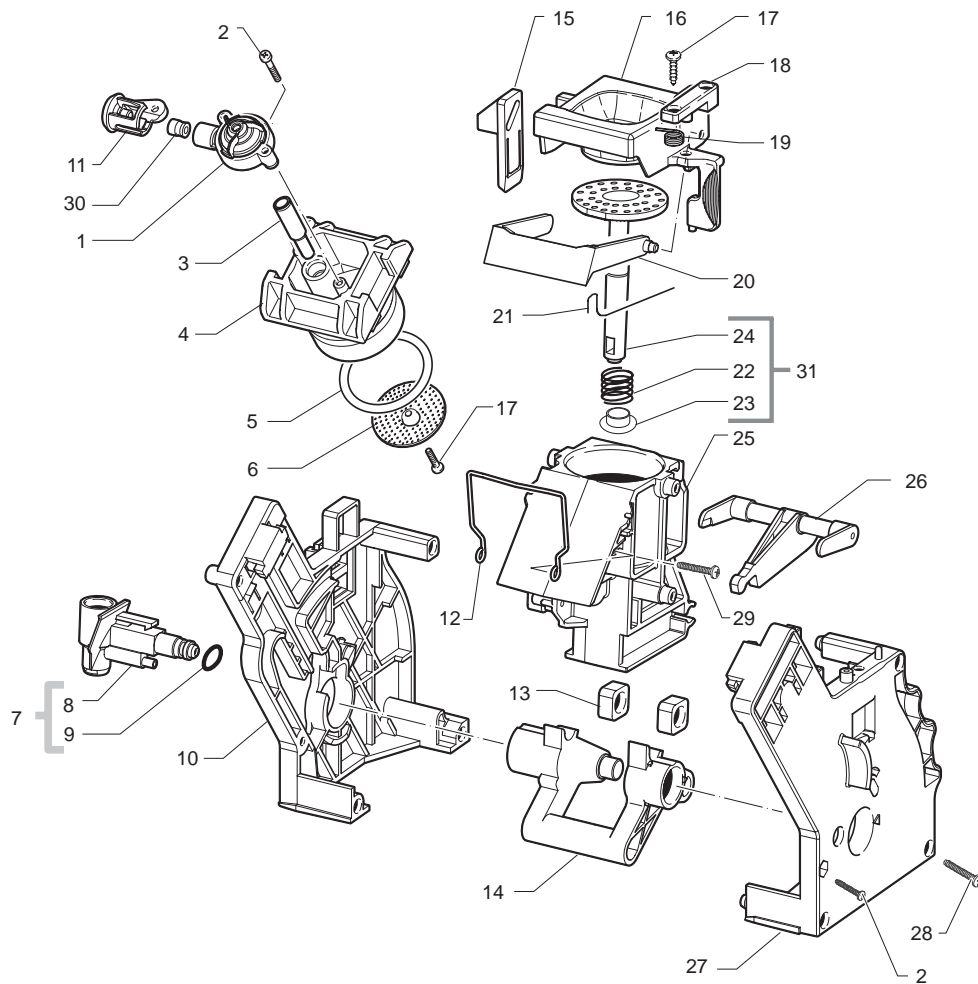
Saeco SUP030BD
INTERNATIONAL GROUP



Cod.10001837-38-69

POS	CODICE	DESCRIZIONE	NOTE
01	11000688	AS.PIAST.DI MONTAG.MOTORID.C/PERNO P124	CON PART. N°10
02	148380200	RONDELLA TELA BAKELIZZATA D=5,5	
03	140325462	OR METRICO 0070-20 IN SILICONE	
04	9161.132	RONDELLA MYLAR X MOTORIDUTTORE	
05	NE05.038	MICROINTERRUTTORE	
06	186724200	MICROINTERRUTTORE SAIA X3M502K2KAJ32AV	
07	11006636	SUPP.MICRO CASS.RACC.FONDI P124 GW NERO	
08	11005214	AS.MOTORE MOTORID.C/2COND.INT.SME P124	
09	9121.046	BOCCOLA SINTERIZZATA X MOTORE	
10	9121.044	ANTIVIBRANTE X MOTORE	
11	20000455	KIT RICAMBI INGRANAGGI MOTORIDUTT.P124	
12	129914102	VITE TORX K 35X12 WN 1423 ZINCATA	
13	U109.040	VITE AUT.TCB 3,9X32 DIN 7981 C NIK	
14	11001966	COPERTURA PIASTRA.MONTAGGIO P124 NERO	
15	142856550	COPERTURA VANO CALDAIA P119 NERA	
16	11005060	AS.PERNO V2 X CALDAIA P119	
17	9011.132	MOLLA X SPILLO	
18	11003820	TAPPO V2 X PERNO CALDAIA P119	
19	11009019	AS.PISTONCINO C/GOLA L=20,9 OTT/TEA	
20	140328059	OR 2015 IN SILICONE PTFE/FDA	
21	140324459	OR METRICO 0060-20 SILICON.PTFE/FDA	
22	11003801	PERNO V2 X CALDAIA P119	
23	11005099	CURSORE V2 X CALDAIA P119	
24	NM01.035	OR ORM 0090-20 SILICONE	
25	NM01.057	OR ORM 0050-20 SILICONE	
26	11005921	GRUPPO CAFFE V2 P124/SBS 8GR.NERO	
VEDI COD. ESPL. E90060 PAGINA SEGUENTE			

POS	CODE	DESCRIPTION	NOTE
01	11000688	MOUNTING PLATE WITH PIN P124 ASSY.	WITH PART. N°10
02	148380200	WASHER BAKELIZZATE D=5,5	
03	140325462	OR METRIC 0070-20 IN SILICONE	
04	9161.132	MYLAR WASHER FOR RATIO MOTOR	
05	NE05.038	MICROSWITCH	
06	186724200	MICROSWITCH SAIA X3M502K2KAJ32AV	
07	11006636	MICROSWITCH FOR DUMP BOX SUPPORT P124	
08	11005214	SME MOTOR FOR RATIO MOTOR P124 ASSY.	
09	9121.046	SINTERED BUSH FOR MOTOR	
10	9121.044	ANTIVIBRATION FOR MOTOR	
11	20000455	SPARES KIT GEARS FOR RATIO MOTOR P124	
12	129914102	SCREW K 35X12 WN 1423 GALVANIZED	
13	U109.040	SCREW AUT.TCB 3,9X32 DIN 7981 C	
14	11001966	BLACK COVER FOR MOUNTING PLATE P124	
15	142856550	BLACK COVER FOR VAIN BOILER P119	
16	11005060	PIN V2 FOR BOILER P119 ASSY.	
17	9011.132	SPRING FOR PIN	
18	11003820	CAP V2 FOR PIN BOILER P119	
19	11009019	TEA/BRASS PISTON L=20,9 ASSY.	
20	140328059	OR 2015 IN SILICONE PTFE/FDA	
21	140324459	OR METRICO 0060-20 SILICON.PTFE/FDA	
22	11003801	PIN V2 FOR BOILER P119	
23	11005099	CURSORE V2 FOR BOILER P119	
24	NM01.035	OR ORM 0090-20 SILICONE	
25	NM01.057	OR ORM 0050-20 SILICONE	
26	11005921	BLACK BREW UNIT 8GR.V2 P124/SBS	
VEDI COD. ESPLOSO E90060 NEXT PAGE			



Saeco SUP030-032
INTERNATIONAL GROUP



Cod. 11005921

POS	CODICE	DESCRIZIONE	NOTE
01	11010660	AS.VALVOLA SAECO BREWING SYSTEM STD	
02	12000550	VITE TCB 3X25 PLAST.INOX	
03	11009276	TUBO X CONTROPIST.GRUPPO S0053 NERO	
04	11001840	CONTROPISTONE GRUPPO P124 8GR. NERO	
05	NM01.044	OR ORM 0320-40 IN SILICONE PTFE/FDA	
06	9161.268	DOCCIA DE=35,8 ELFO	
07	20000440	GRUPPO RICAMBIO MANICOTTO NERO	
08	9161.064.050	MANICOTTO ENTRATAACQUA GRUP.CAFFE.NERO	
09	NM02.007	OR 2025 TERMOIL	
10	9161.375.050	PIASTRA POSTERIORE GRUPPO SMART NERO	
11	145899250	INSERTO CENTRAGGIO RAC.USCITA CAF.P124	
12	11001556	MOLLA RASATORE H=49 X GRUPPO CAF.SMART	
13	9161.094.050	BLOCCETTO FORATO GRUP.CAFFE' PA/NERO	
14	9161.066.050	ALBERO A GOMITO X GRUPPO NERO	
15	9161.373.050	PIASTRINA AGGANCIO GRUP.CAF.SMART NERO	
16	149261350	TRAMOGGIA GRUPPO CAFFE' SMART1 NERO	
17	12000895	VITE TSP 3X10 PLAST.INOX	
18	9161.374.050	PIASTRA FISS.TRAMOG.GRUP.CAF.SMART NERO	
19	9161.378	MOLLA TRAMOGGIA GRUPPO CAFFE' SMART	
20	11004161	RASATORE X GRUPPO CAFFE' NERO	
21	9161.046	MOLLA X RASATORE GRUPPO	
22	9161.198	MOLLA PISTONE GRUPPO CAFFE' M5000	
23	9161.191	BOCCOLA PISTONE GRUP.CAFF.M5000 NEUTRO	
24	11003077	AS.PISTONE INTEGRALE GRUP.P124 8GR.NERO	
25	11003075	AS.CONT.CAF.C/BOCC.SALD.GRUP.P124 8G.NER	
26	11003078	BIELLA X GRUPPO P124 8GR.NERO	
27	11005920	PIASTRA ANT.GRUPPO SMART S/F.NER.SER.NEW	
28	12000897	VITE TCB 3,5X20 PLAST.INOX	
29	129912521	VITE TCBR 3,5X14 PLAST.INOX	
30	145857962	GUARNIZ.INSERTO RACC.USCITA CAF.P124 NER	
31	11023086	AS.GEN.PISTONE INTEGR.GRUP.CAF.8GR.NER.	
	11005921	GRUPPO CAFFE' V2 P124/SBS 8GR.NERO	

POS	CODE	DESCRIPTION	NOTA
01	11010660	SAECO BREWING SYSTEM VALVE STD ASSY.	
02	12000550	SCREW TCB TORX 10 3X25 PLAST.SS	
03	11009276	TUBE FOR COUNTER PISTON BREW UNIT S0053	
04	11001840	BLACK COUNTER PISTON BREW UNIT 8GR.P124	
05	NM01.044	OR ORM 0320-40 IN SILICONE PTFE/FDA	
06	9161.268	PERCOLATOR DE=35,8 ELFO	
07	20000440	BLACK SPARE SLEEVE UNIT	
08	9161.064.050	BLACK WATER INLET SLEEVE BREW UNIT	
09	NM02.007	OR 2025 TERMOIL	
10	9161.375.050	BLACK REAR PLATE FOR BREW UNIT SMART	
11	145899250	CONNECTION COFFEE FOR P124 GROUP	
12	11001556	SPRING H=49 FOR COFFEE BREW UNIT SMART	
13	9161.094.050	BLACK DRILLED BLOCK BREW UNIT	
14	9161.066.050	ELBOW SHAFT FOR UNIT BLACK	
15	9161.373.050	BLACK COUPLING PLATE BREW UNIT SMART	
16	149261350	BLACK HOPPER DOSER BREW UNIT SMART1	
17	12000895	SCREW TSP TORX 10 3X10 PLAST.SS	
18	9161.374.050	BLACK HOPPER BLOCKING PLATE UNIT SMART	
19	9161.378	SPRING HOPPER SMART BREW UNIT	
20	11004161	BLACK SCRAPER FOR COFFEE UNIT	
21	9161.046	SPRING FOR UNIT SCRAPER	
22	9161.198	PISTON SPRING BREW UNIT M5000	
23	9161.191	NEUTRAL PISTON BUSH BREW UNIT M5000	
24	11003077	BLACK INTEGRAL PISTON UNIT P124 8GR.ASS	
25	11003075	BLACK COFFEE CONTAINER BREW UNIT P124	
26	11003078	BLACK CONNECTING ROD FOR UNIT P124 8GR.	
27	11005920	BLACK FRONT PLATE BREW UNIT SMART S.SCR.	
28	12000897	SCREW TCB TORX 10 3,5X20 PLAST.SS	
29	129912521	SCREW TCBR TORX 10 3,5X14 PLAST.SS	
30	145857962	BLACK INSERT SEAL P124	
31	11023086	BLK 8GR.BREW UNIT NTEGR.PISTON GEN.ASSY.	
	11005921	BLACK BREW UNIT 8GR.V2 P124/SBS	