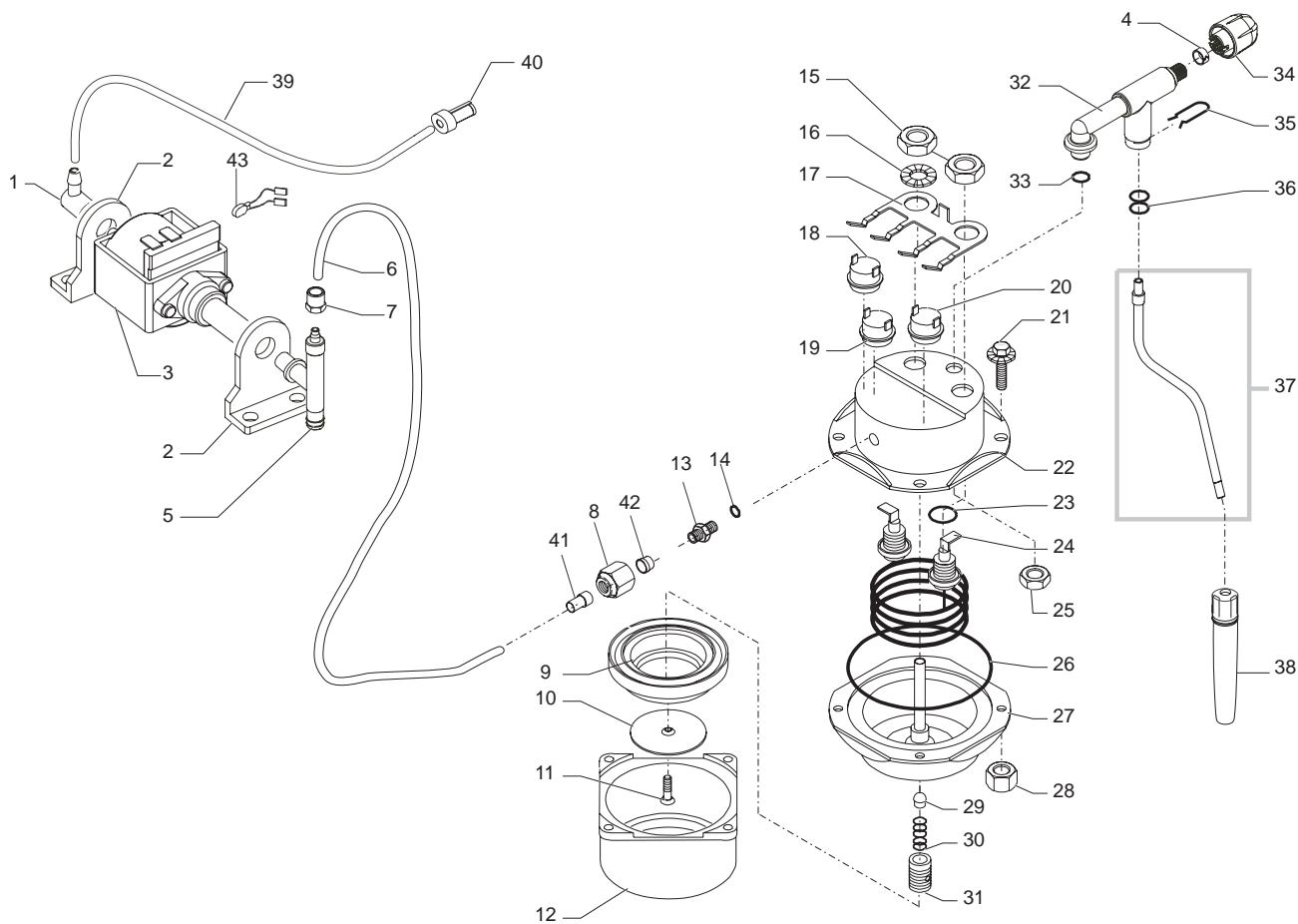


Saeco INTERNATIONAL GROUP
SIN024XN

CE Cod. 10002403-2768

POS	CODICE	DESCRIZIONE	NOTE
01	6315001010	TASTO ON-OFF ARGENTO	
02	WGA5316001000	SEGNAL.LUMIN.ROSSO (218C40010T)	230V
03	WGA4315007000	SUPPORTO TASTI	
04	WGA5302001000	INTERRUTTORE UNIPOLARE	
05	129660802	VITE PANELVIT TCB 4X16 DIN 7505 ZNP	
06	6315001000	TASTO CAFFÈ ARGENTO	
07	6315001020	TASTO VAPORE ARGENTO	
08	WGA5316002000	SEGNAL.LUMIN.VERDE (218C47030T)	230V
09	11008508	AS.GEN.CABLAGGIO ARMONIA ESE	
10	WGADM1563	SPINA AUTOBLOCCANTE TRIPOL.	
11	WGA4316002000	PIASTRA DI MONTAGGIO ARMONIA NERA	
12	129516302	VITE TCB TORX-AB 3,5X13 UNI 6954 ZN	
13	123160502	DADO M5 ALTO UNI 5587-68 ZINCATO	
14	WGA4315006000	SERBATOIO ACQUA GRI/TRASP.SERIGR.MAX	
15	WGA4315001000	CORPO CARCASSA ARMONIA NERO	
16	WGAFG0245	PIEDINO	
17	WGA8315008000	AS.CORPO CARCAS.C/PIEDINI ARMONIA NERO	
18	11000155	COPERT.CARC.S/FORO ARMONIA NER.SER.VAP	
19	11008566	FRONTALINO SAECO ARG.SER.ARMONIA ESE	
20	183911050	CAVO AL.SCHUKO 3X1 H05VV-F NERO L=1200MM	230V
21	11000101	GRIGLIA ARMONIA EASY VERNIC.ARGENTO	
22	WGA4316004000	VASCA RECUPERO ACQUA ARMONIA NERO	
23	145501211	GALLEG.X VASCA RECUP.ACQUA SMART ROSSO	
24	15001261	LIBRET.ISTRUZ.SIN024XN SAECO ARMONIA ESE	
25	146680150	MISURINO CAFFÈ NERO	
26	226551650	PORTAFILTRO PRESS. MECC AL. NERO OP/LUC.	
27	175900400	INSERTO SUP.POLISTIROLO SCATOLA ARMONIA	
28	175892500	INSERTO X ACCESSORI ESPR.PLUS IN CARTONE	
29	175900500	INSERTO INF.POLISTIROLO SCATOLA ARMONIA	
30	13000610	SCATOLA LITOG.SAECO ARMONIA ESE	

POS	CODE	DESCRIPTION	NOTE
01	6315001010	KEY ON-OFF SILVER	
02	WGA5316001000	RED LUMINOUS SIGNALER	230V
03	WGA4315007000	BUTTONS SUPPORT	
04	WGA5302001000	UNIPOLAR SWITCH	
05	129660802	PANELVIT TCB SCREW4 X16 DIN 7505 Z	
06	6315001000	KEY COFFEE SILVER	
07	6315001020	KEY STEAM SILVER	
08	WGA5316002000	GREEN LUMINOUS SIGNALER	230V
09	11008508	GEN.WIRING ARMONIA ESE ASSY.	
10	WGADM1563	3 POLE SELF LOCKING PIN	
11	WGA4316002000	BLACK MOUNTING PLATE ARMONIA	
12	129516302	SCREW TCB TORX-AB 3,5X13 UNI 6954	
13	123160502	NUT M5 HIGH UNI 5587-68 GALVANIZED	
14	WGA4315006000	TRANSP/GREY WATER CONTAINER S/SCR.MAX	
15	WGA4315001000	BLACK CASING ARMONIA	
16	WGAFG0245	FOOT	
17	WGA8315008000	BLACK CASING ARMONIA ASSY.	
18	11000155	BLACK CASING COVER ARMONIA S/SCR.VAP	
19	11008566	SILVER FRONT PANEL SAECO S/S.ARMONIA ESE	
20	183911050	POWER CABLE SCHUKO BLACK L=1200	230V
21	11000101	GRATE FOR ARMONIA EASY SILVER	
22	WGA4316004000	BLACK DRIP TRAY ARMONIA	
23	145501211	RED FLOAT FOR DRIP TRAY SMART	
24	15001261	INSTRUCTIONS MANUAL SAECO ARMONIA ESE	
25	146680150	BLACK COFFEE MEASURE	
26	226551650	ACC SAE PORTAFILTER CREMA BLK SEE EXP.COD.E90005 LAST PAGE	
27	175900400	POLYST.UPPER INSERT FOR BOX ARMONIA	
28	175892500	CARDBOARD INSERT ACCESSORIES ESPR.PLUS	
29	175900500	POLYST.LOWER INSERT FOR BOX ARMONIA	
30	13000610	DISPLAY BOX SAECO ARMONIA ESE	



Saeco SIN024XN
INTERNATIONAL GROUP

CE Cod. 10002403-2768

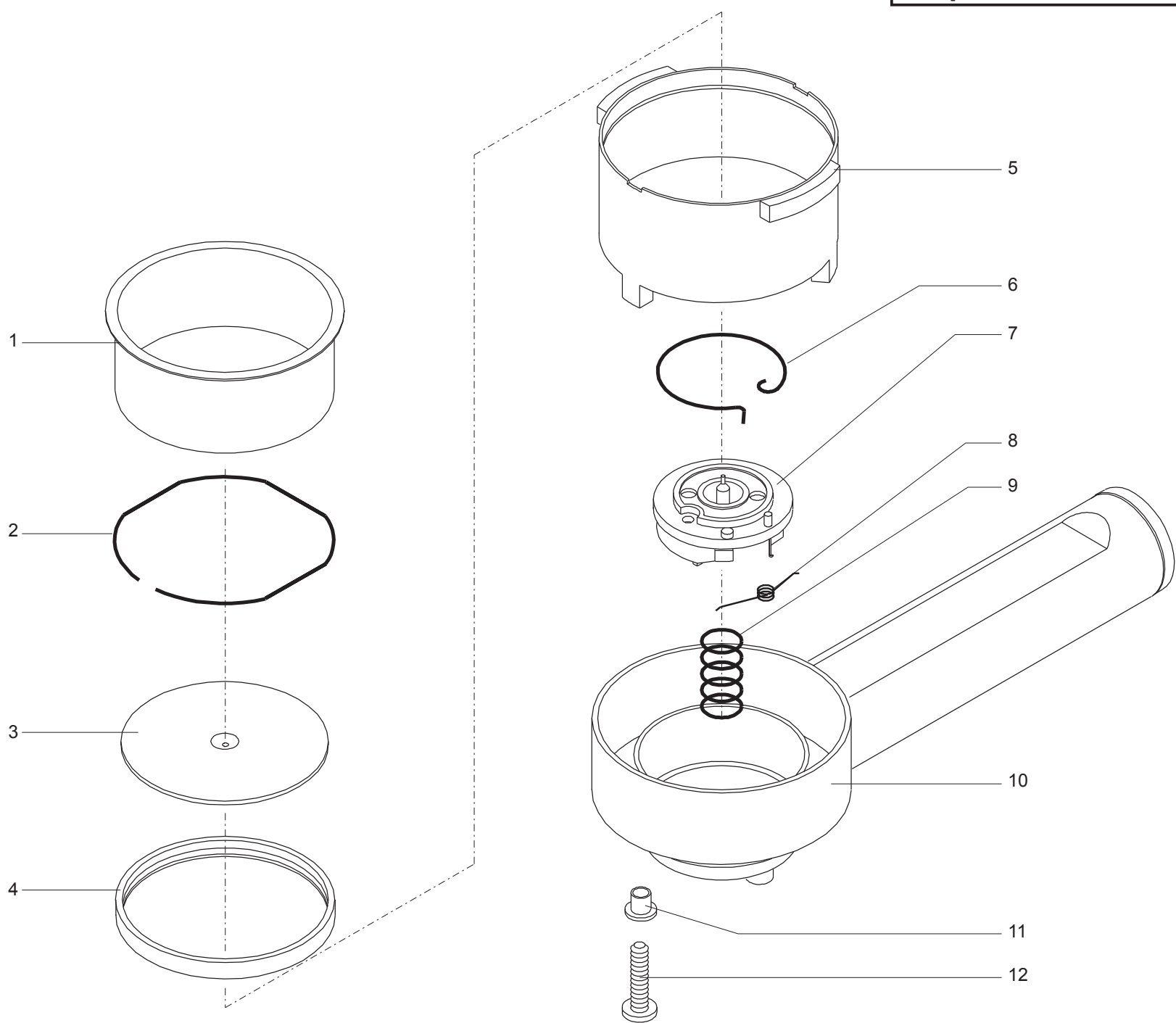
POS	CODICE	DESCRIZIONE	NOTE	POS	CODE	DESCRIPTION	NOTE
01	147920150	RACCORDO INGRESSO POMPA A 90°		01	147920150	90°CONNECTOR PUMP INLET	
02	WGADY0003	SUPPORTO POMPA ULKA		02	WGADY0003	PUMP SUPPORT ULKA	
03	12000140	POMPA ULKA EP5/S GW	230V-50HZ	03	12000140	ULKA PUMP EP5/S GW	230V-50HZ
04	120460204	ATTACCO RAPIDO D=10,6 H=5 SP=1		04	120460204	RAPID CONNECTOR D=10,6 H=5 SP=1	
05	WGAEF0062/01/A	VALVOLA DI SICUREZZA C/COMP.OTTONE		05	WGAEF0062/01/A	BRASS SAFETY VALVE	
06	149400100	TUBO TEFLON 4X6	IN MATASSA	06	149400100	TEFLON TUBE 4X6	IN ROLL
07	WGAB0053	DADO		07	WGAB0053	NUT	
08	123460120	DADO 1/8" GAS X TUBO TEFLON D=6 IN OTTONE		08	123460120	BRASS NUT 1/8" GAS FOR TEFLON TUBE D=6	
09	145841500	GUARNIZIONE PORTAFILTRO		09	145841500	FILTERHOLD SEAL	
10	123741421	DOCCIA DE=48,8 X CALD.INOX JACOBS		10	123741421	PERCOLATOR DE=48,8 SS BOILER JACOBS	
11	129854021	VITE TSP M4X8 UNI 7688 INOX		11	129854021	TSP SCREW M4X8 UNI 7688 SS	
12	220290200	AS.ANELLO BLOCCAG.PORTAFILT.BURATTATO		12	220290200	POLISHED FILTERHOLDER LOCKING RING ASSY.	
13	127960903	RACCORDO DIRITTO CALD.INOX IN OTT/TEA		13	127960903	TEA/BRASS STRAIGHT FITTING FOR SS.BOILER	
14	140320762	OR 108 IN SILICONE		14	140320762	OR 108 IN SILICONE	
15	123452000	DADO M12X1,25 H=4,5		15	123452000	NUT M 12 X1,25 H= 4,5	
16	128311204	ROSETTA UNI 8842 A12 BRUNITA		16	128311204	WASHER UNI 8842 A12 BURN.	
17	126836321	MOLLA FERMA 3TERM.SIMBOLO/TERRA ACC		17	126836321	3 TH .FIX. SPRING EARTH SYMBOL. ST	
18	189425100	TERMOSTATO 127° 1NT-01L-0499		18	189425100	THERMOSTAT 127° 1NT-01L-0499	
19	189428200	TERMOSTATO 175° 1NT-08L-3794		19	189428200	THERMOSTAT 175° 1NT-08L-3794	
20	189422000	TERMOSTATO 95° 1NT-01L-0036		20	189422000	THERMOSTAT 95° 1NT-01L-0036	
21	WGADI6921-5X30Z	VITE M 5X30 ZINCATA		21	WGADI6921-5X30Z	GALVANIZED SCREW M 5X30	
22	122902121	CORPO SUP.CALD.INOX M8 C/SQUADR.S/VAPIST		22	122902121	UPPER BOILER CASING + BRACKETS W/O VAPIS	
23	NM01.021	OR 2050 SILICONE		23	NM01.021	OR 2050 SILICONE	
24	188150158	RESISTENZA C/TERMINALI OTT/TEA	230V-900W	24	188150158	HEAT ELEMENT+TEA/BRASS TERMINAL	230V-900W
25	123390109	DADO 1/8 GAS H=6 CH=14 OTT/TEA		25	123390109	TEA/BRASS NUT 1/8 GAS H=6 CH=14	
26	140322962	OR 176 IN SILICONE		26	140322962	OR 176 IN SILICONE	
27	222891400	CORPO INF.CALD.INOX+MOZZO OTT/TEA		27	222891400	SS.LOWER BOILER CASING + BRASS/TEA HUB	
28	123160502	DADO M5 ALTO UNI 5587-68 ZINCATO		28	123160502	NUT M5 HIGH UNI 5587-68 GALVANIZED	
29	149450588	VALVOLA TENUTA CALDAIA IN SILICONE 65SH		29	149450588	65SH SILICONE BOILER SEALING VALVE	
30	126761518	MOLLA X VALVOLA TENUTA CALDAIA		30	126761518	SPRING FOR BOILER VALVE	
31	11001196	VITE PORTAVALV.X CALD.INOX JACOBS OT/TEA		31	11001196	VIS DE VALVE CHAUDIERE	
32	WGA8316010000	AS.RUBINETTO VAPORE X CALD.INOX ARMONIA		32	WGA8316010000	STEAM FAUCET FOR SS.BOILER ARMONIA ASSY.	
33	140323062	OR 2043 IN SILICONE		33	140323062	OR 2043 IN SILICONE	
34	WGA4316006000	POMELLO VAPORE NERO		34	WGA4316006000	STEAM KNOB BLACK	
35	126764018	MOLLA D=1 FERMA TUBO VAPORE JUNIOR		35	126764018	SPRING D=1STEAM TUBE HOLDER JUN.	
36	140321861	OR 2025 IN EPDM		36	140321861	OR 2025 IN EPDM	
37	11003290	AS.TUBO VAPORE SPRUZ. D=2,0 AC.INOX LUC		37	11003290	S.STEEL STEAM TUBE ASSY.	
38	227431350	AS.PANNARELLO G100 NERO/NERO		38	227431350	BLACK/BLACK PANNARELLO G100 ASSY.	
39	149360200	TUBO SILICONE 5X8 70SR	IN MATASSA	39	149360200	SILICONE TUBE 5X8 70SR	IN ROLL
40	144650100	FILTRO IN ASPIRAZIONE		40	144650100	SUCTION FILTER	
41	121800420	BOCCOLA OGIVA 6 (DE=8,4 DI=6,2 L=7)		41	121800420	OGIVE BUSH 6 (DE=8,4 DI =6,2 L=7	
42	121840120	BOCCOLA INTERNO TUBO (DE4XD13X10)OTTONE		42	121840120	BRASS INNER TUBE BUSH (DE4XD13X10)	
43	289200100	AS.TERMPR.TERMICO 120°C CAV.121/121		43	289200100	THERMAL. PROTECT.120°C CABL.121/121	

Saeco
INTERNATIONAL GROUP

ARMONIA ESE

Rev. 00 - 09/06/08

TAVOLA 2/2



Saeco® PORTAFILTRO PRESSURIZZATO MECCANICO

Cod. 226551250-263-650
Cod. 226551663-850-863

POS	CODICE	DESCRIZIONE	NOTE	POS	CODE	DESCRIPTION	NOTE
01	124650221	FILTRO 2TAZ.54,5X25 S/TAC.FORI D=48		01	124650221	2CUP FILT.54,5X25 W/O.NOT.HOLE D=48	
02	126835918	MOLLA FERMAFILTRO SOTTOCOPP.PIANETA		02	126835918	FILTER LOCK. SPRING FILTERH. PIANE	
	126836818	MOLLA FERMAFILTR.SOTTOCOP.STARBUCKS			126836818	FILTERH. SPRING STARBUCKS	
		X C.A. PRODOTTE DAL 01/05/1999				FOR C.A. PRODUCED FROM 01/05/1999	
03	142862959	CONVOGLIAT.FORO 1,6 PORTAFILTRO PRES/MEC		03	142862959	CONVEYOR HOLE 1,6 PRESS.FILTERHOLD.	
04	145847762	GUARNIZ.X CONVOGL.PORTAFIL.PRES/MEC		04	145847762	PRESS. FILTERHOLD CONVEYOR SEAL	
05	228771128	SOTCOP.PRES/MECC.ALET.STRET.AL.BRIL		05	228771128	PR.FILTERH. NARROW TONG. POL. ALU	
	17000097	SOTCOP.PRES/MECC.V2 AL.BRIL.			17000097	ALUM/POL.V2 PRES/MECC.FILTERHOLDER	
	11023167	SOTTOCOP.PRES/MEC.STARB.OT/CROM.NSF			11023167	NSF/CHROM.PRESS.FILTERHOLD.STARB.	
06	126835818	MOLLA X MANICO PORTAFIL.PRESSUR/MEC		06	126835818	SPRING FILTERHOLD. HAND. PRESS.	
07	229181800	AS.SUPPORTO SPILLO PORTAF.PRESS/MEC		07	229181800	PRESS. FILTERH. PIN SUPPORT	
08	126768418	MOLLA X CAMMA PORTAFILT.PRESSUR/MEC		08	126768418	CAM SPRING FILT.HOLD PRESS.	
09	126769918	MOLLA X SPIL.PORTAFIL.PRES/MEC.L=13		09	126769918	SPRING FILTH .NE.VAL.MEC.TAKEOFFL=	
10	146552650	MANICO NER.OP/LUC.PRES/MEC.SEN/SOTC		10	146552650	HAND.BLA. OP/GLO PRESS. W/O FILTER	
	146552663	MANICO GRI.OP/LUC.PRES/MEC.SEN/SOTC			146552663	HAND.GREY OP/GLO.PRESS. W/O FILTER	
11	11022223	DISTANZ.PORTAFILTR.PRES/MEC.OT/TEA		11	11022223	TEA/BRASS SPACER FOR PRESS.FILTERHOLDER	
12	129730721	VITE TCB PZ/SW 4X12 UNI 8112 INOX		12	129730721	TCB SCREW PZ/SW 4X12 UNI 8112 SS	
	226551250	PORTAFILT.PRESS.MECC.ALET.STRET.NER			226551250	PRESS. FILTERH.NARROW TONGUE BLA.	
	226551263	PORTAFILT.PRESS.MECC.ALET.STRET.GRI			226551263	PRESS. FILTERH.NARROW TONGUE GREY	
	226551650	PORTAFILT.PRESS.MECC.AL.NERO OP/LUC			226551650	PRESS. FILTERH. ALU BLACK OP/POLIS	
	226551663	PORTAFILT.PRESS.MECC.AL.GRIG.OP/LUC			226551663	PRESS. FILTERH. ALU.GREY OP/POLISH	
	226551850	PORTAFILT.PRESS.MECC.OT.NERO OP/LUC			226551850	PRESS. FILTERH. BRASS BLACK OP/POL	
	226551863	PORTAFILT.PRESS.MECC.OT.GRIG.OP/LUC			226551863	PRESS. FILTERH. BRASS GREY OP/POLI	