

SIN024XN RI9330/01

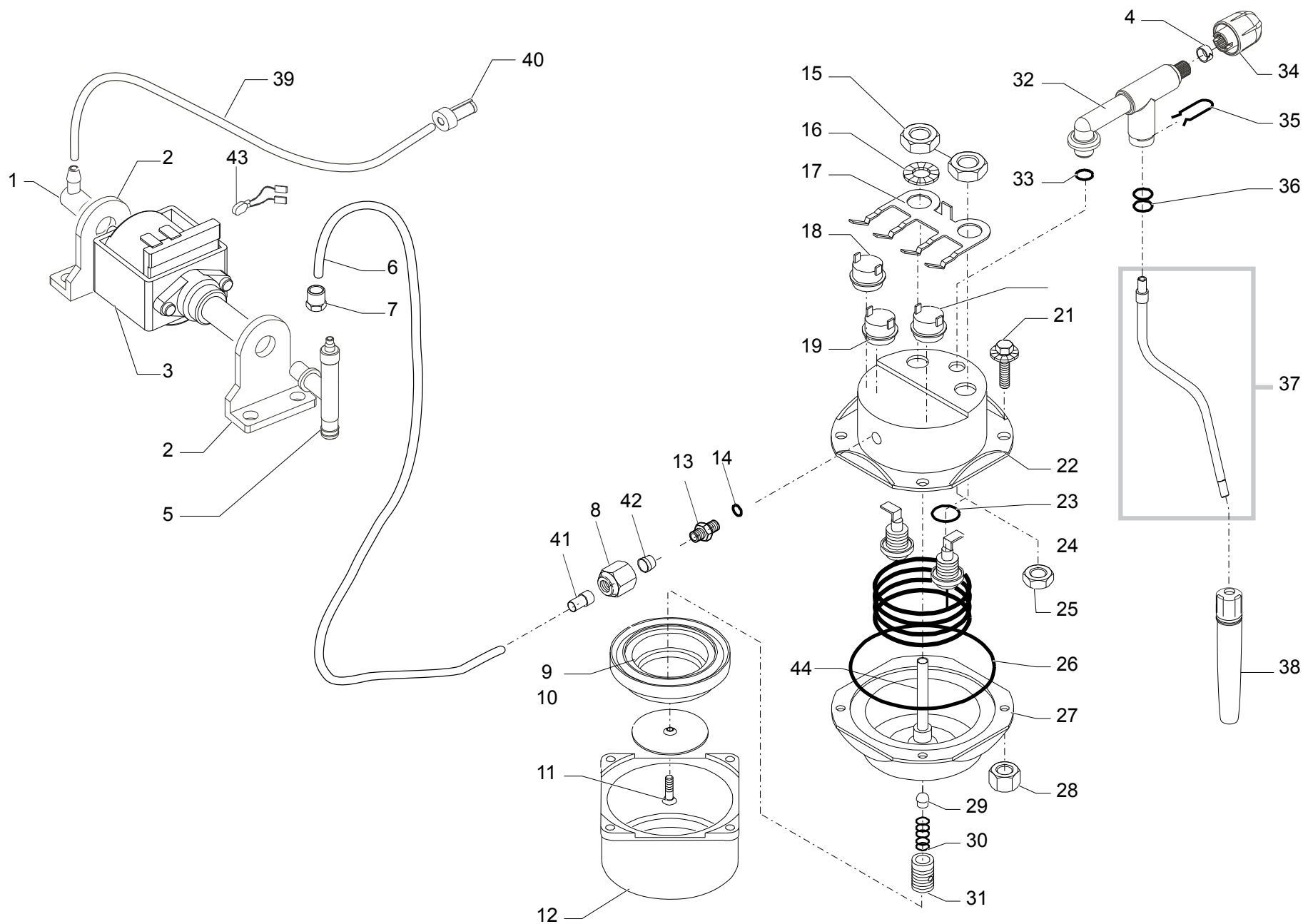
CE Cod. 10002403-2768

POS	CODE	12NC	DESCRIPTION	NOTE	POS	CODE	12NC	DESCRIPTION	NOTE
01	6315001010	996530037762	KEY ON-OFF SILVER						
02	WGA5316001000	996530063649	RED LUMINOUS SIGNALER 230V						
03	WGA4315007000	996530063534	BUTTONS SUPPORT						
04	WGA5302001000	996530063648	UNIPOLAR SWITCH						
05	129660802	996530012979	PANELVIT TCB SCREW4 X16 DIN 7505 Z						
06	6315001000	996530037761	KEY COFFEE SILVER						
07	6315001020	996530037763	SILVER STEAM KEY S/SCR.						
08	WGA5316002000	996530063651	GREEN LUMINOUS SIGNALER 230V						
09	11008508	996530004896	GEN.WIRING ARMONIA ESE ASSY.						
10	12000280	996530007788	CUP SOCKET EN 60320 C 13						
11	WGA4316002000	996530063536	BLACK MOUNTING PLATE ARMONIA						
12	12000450	996530007819	SCREW TCBR TORX 10 3,5X12 PLAST.ZN-N						
13	123160502	996530011189	GALVANIZED NUT M5 HIGH UNI 5587-68						
14	WGA4315006000	996530063533	TRANSP/GREY WATER CONTAINER S/SCR.MAX						
15	WGA4315001000	996530063532	BLACK CASING ARMONIA						
16	WGAFG0245	996530064031	BLACK FOOT						
17	WGA8315008000	996530063842	BLACK CASING ARMONIA ASSY.						
18	11000155	996530000099	BLACK CASING COVER S/SCR.VAP.ARMONIA						
19	11008566	996530004929	SILVER FRONT PANEL SAECO S/S.ARMONIA ESE						
20	183911050	996530025808	BLACK POWER CABLE SCHUKO L=1200						
21	11000101	996530000064	SILVER GRATE ARMONIA EASY						
22	WGA4316004000	996530063537	BLACK DRIP TRAY ARMONIA						
23	145501211	996530015694	RED FLOAT FOR DRIP TRAY SMART						
24	15001261	996530008993	MANUAL SAE SIN024XN ARMONIA ESE						
25	146680150	996530016517	BLACK COFFEE MEASURE						
26	226551650	996530029824	KIT SAE PORTAFILTER CREMA BLK SEE EXP.CODE E90005 LAST PAGE						
27	175900400	996530021836	PS-E UPPER INSERT FOR BOX ARMONIA						
28	175892500	996530021749	CARDBOARD INSERT ACCESSORIES ESPR.PLUS						
29	175900500	996530021837	PS-E LOWER INSERT FOR BOX ARMONIA						
30	13000610	996530008254	DISPLAY BOX SAECO ARMONIA ESE						



ARMONIA ESE

TABLE 1/2



Saeco
INTERNATIONAL GROUP

SIN024XN RI9330/01

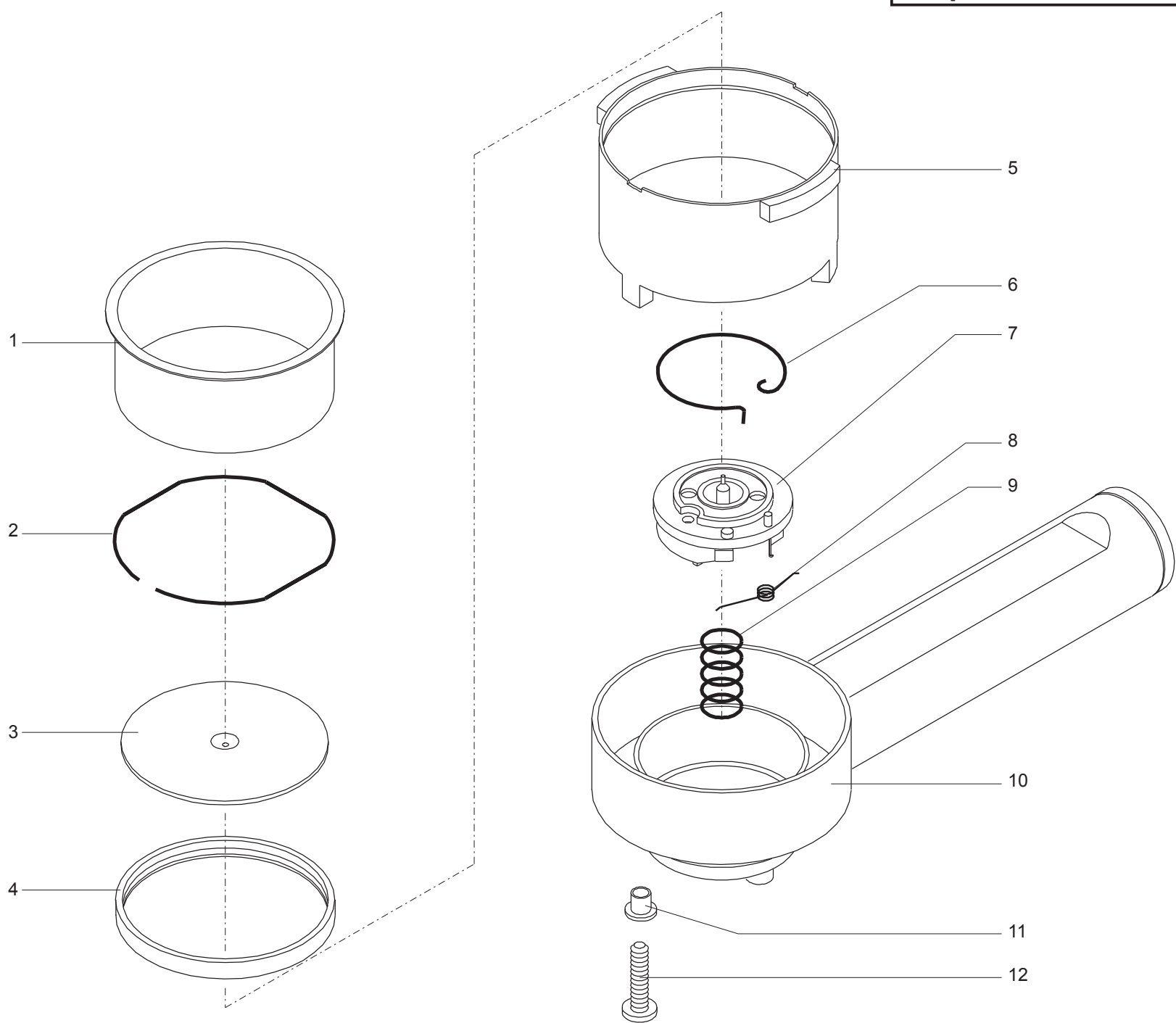
CE Cod. 10002403-2768

POS	CODE	12NC	DESCRIPTION	NOTE	POS	CODE	12NC	DESCRIPTION	NOTE
01	147920150	996530017348	90° INLET PUMP CONNECTOR		38	227431350	996530029995	BLACK/BLACK PANNARELLO G100 ASSY.	
02	WGADY0003	996530064025	BLACK PUMP SUPPORT ULKA		39	149360200	996530018269	SILICONE TUBE 5X8 70SR IN ROLL	
03	12000140	996530007753	ULKA PUMP EP5/S GW 230V-50HZ		40	144650100	996530015427	SUCTION FILTER	
04	120460204	996530010777	RAPID CONNECTOR D=10,6 H=5 SP=1		41	121800420	996530010853	OGIVE BUSH 6 (DE=8,4 DI =6,2 L=7	
05	WGAEF0062/01/A	996530064028	BRASS SAFETY VALVE		42	121840120	996530010858	BRASS INNER TUBE BUSH (DE4XD13X10)	
06	149400100	996530018285	TEFLON TUBE 4X6 IN ROLL		43	289200100	996530035365	THERMAL. PROTECT.120°C CABL.121/121	
07	WGAB0053	996530063857	NUT		44	129310920	996530012671	TEA/BRASS INTERNAL TUBE FOR SS BOILER	
08	9991.007	996530051758	NUT FOR CONNECTOR 1/8"						
09	145841500	996530015809	BLACK FILTERHOLDER SEAL						
10	123741421	996530011292	PERCOLATOR DE =48,8 SS BOILER JACOBS						
11	129854021	996530013107	TSP SCREW M4X8 UNI 7688 SS						
12	220290200	996530027058	POLISHED FILTERHOLDER LOCKING RING ASSY.						
13	127960903	996530012253	TEA/BRASS STRAIGHT FITTING FOR SS.BOILER						
14	140320762	996530013454	O-RING 108 SILICONE						
15	123452000	996530011231	BRASS NUT M12 X1,25 H= 4,5						
16	128311204	996530012352	BURN.WASHER UNI 8842 A12						
17	126836321	996530011816	3 TH .FIX. SPRING EARTH SYMBOL. ST						
18	189425100	996530026928	THERMOSTAT 127° 1NT-01L-0499						
19	189428200	996530026954	THERMOSTAT 175° 1NT-08L-3794						
20	189422000	996530026907	THERMOSTAT 95° 1NT-01L-0036						
21	WGADI6921-5X30Z	996530063873	GALVANIZED SCREW M 5X30						
22	122902121	996530011112	SS UPPER BOILER CASING+BRACKET W/O VAPIS						
23	NM01.021	996530059385	SILICONE OR 2050						
24	188150158	996530026612	HEAT ELEMENT+TEA/BRASS TERMINAL230V-900W						
25	123390109	996530011208	TEA/BRASS NUT 1/8 GAS H=6 CH=14						
26	140322962	996530013489	O-RING 176 SILICONE						
27	222891400	996530028965	SS.LOWER BOILER CASING+BRASS/TEA HUB						
28	123160502	996530011189	GALVANIZED NUT M5 HIGH UNI 5587-68						
29	149450588	996530018311	65SH SILICONE BOILER SEALING VALVE						
30	126761518	996530011596	SS SPRING FOR BOILER VALVE						
31	11001196	996530000701	TEA/BRASS VALVE HOLD SCREW SS BOILER						
32	WGA8316010000	996530063844	STEAM FAUCET FOR SS.BOILER ARMONIA ASSY.						
33	140323062	996530013492	O-RING 2043 SILICONE						
34	WGA4316006000	996530063538	STEAM KNOB BLACK						
35	126764018	996530011619	SS SPRING D=1 STEAM TUBE HOLDER JUN.						
36	140321861	996530013467	O-RING 2025 EPDM						
37	11003290	996530001564	SS STEAM TUBE D=2,0 ASSY.						

Saeco
INTERNATIONAL GROUP

ARMONIA ESE

TABLE 2/2



Saeco® PORTAFILTRO PRESSURIZZATO MECCANICO (E)

Cod. 226551250-263-650
Cod. 226551663-850-863

POS	CODICE	DESCRIZIONE	NOTE	POS	CODE	DESCRIPTION	NOTE
01	124650221	FILTRO 2TAZ.54,5X25 S/TAC.FORI D=48		01	124650221	2CUP FILT.54,5X25 W/O.NOT.HOLE D=48	
02	126835918	MOLLA FERMAFILTR. SOTTOCOPP.PIANETA		02	126835918	FILTER LOCK. SPRING FILTERH. PIANE	
	126836818	MOLLA FERMAFILTR. SOTTOCOPP.STARBUCKS			126836818	FILTERH. SPRING STARBUCKS	
		X C.A. PRODOTTE DAL 01/05/1999				FOR C.A. PRODUCED FROM 01/05/1999	
03	142862959	CONVOGLIAT.FORO 1,6 PORTAFILTRO PRES/MEC		03	142862959	CONVEYOR HOLE 1,6 PRESS.FILTERHOLD.	
04	145847762	GUARNIZ.X CONVOGL. PORTAFIL.PRES/MEC		04	145847762	PRESS. FILTERHOLD CONVEYOR SEAL	
05	228771128	SOTCOP.PRES/MECC.ALET.STRET.AL.BRIL		05	228771128	PR.FILTERH. NARROW TONG. POL. ALU	
	17000097	SOTCOP.PRES/MECC.V2 AL.BRIL.			17000097	ALUM/POL.V2 PRES/MECC.FILTERHOLDER	
	11023167	SOTTOCOP.PRES/MEC.STARB.OT/CROM.NSF			11023167	NSF/CHROM.PRESS.FILTERHOLD.STARB.	
06	126835818	MOLLA X MANICO PORTAFIL.PRESSUR/MEC		06	126835818	SPRING FILTERHOLD. HAND. PRESS.	
07	229181800	AS.SUPPORTO SPILLO PORTAF.PRESS/MEC		07	229181800	PRESS. FILTERH. PIN SUPPORT	
08	126768418	MOLLA X CAMMA PORTAFILT.PRESSUR/MEC		08	126768418	CAM SPRING FILT.HOLD PRESS.	
09	126769918	MOLLA X SPIL.PORTAFIL.PRES/MEC.L=13		09	126769918	SPRING FILTH .NE.VAL.MEC.TAKEOFFL=	
10	146552650	MANICO NER.OP/LUC.PRES/MEC.SEN/SOTC		10	146552650	HAND.BLA. OP/GLO PRESS. W/O FILTER	
	146552663	MANICO GRI.OP/LUC.PRES/MEC.SEN/SOTC			146552663	HAND.GREY OP/GLO.PRESS. W/O FILTER	
11	11022223	DISTANZ.PORTAFILTR.PRES/MEC.OT/TEA		11	11022223	TEA/BRASS SPACER FOR PRESS.FILTERHOLDER	
12	129730721	VITE TCB PZ/SW 4X12 UNI 8112 INOX		12	129730721	TCB SCREW PZ/SW 4X12 UNI 8112 SS	
	226551250	PORTAFILT.PRESS.MECC.ALET.STRET.NER			226551250	PRESS. FILTERH.NARROW TONGUE BLA.	
	226551263	PORTAFILT.PRESS.MECC.ALET.STRET.GRI			226551263	PRESS. FILTERH.NARROW TONGUE GREY	
	226551650	PORTAFILT.PRESS.MECC.AL.NERO OP/LUC			226551650	PRESS. FILTERH. ALU BLACK OP/POLIS	
	226551663	PORTAFILT.PRESS.MECC.AL.GRIG.OP/LUC			226551663	PRESS. FILTERH. ALU.GREY OP/POLISH	
	226551850	PORTAFILT.PRESS.MECC.OT.NERO OP/LUC			226551850	PRESS. FILTERH. BRASS BLACK OP/POL	
	226551863	PORTAFILT.PRESS.MECC.OT.GRIG.OP/LUC			226551863	PRESS. FILTERH. BRASS GREY OP/POLI	