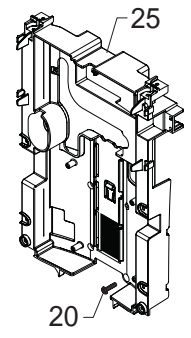
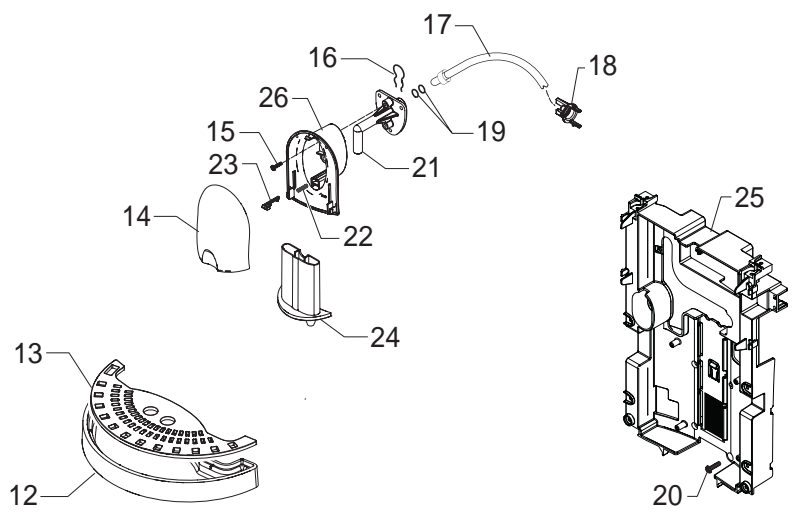
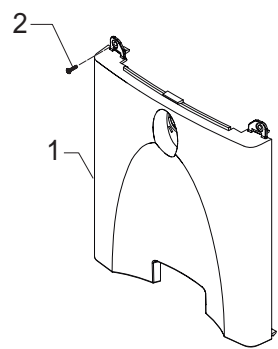
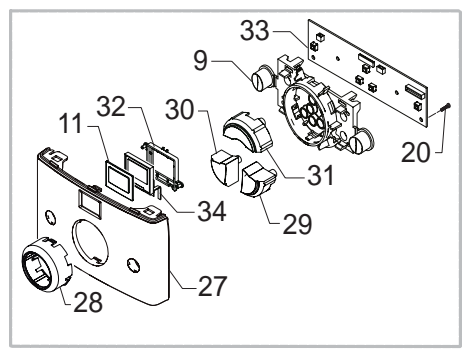
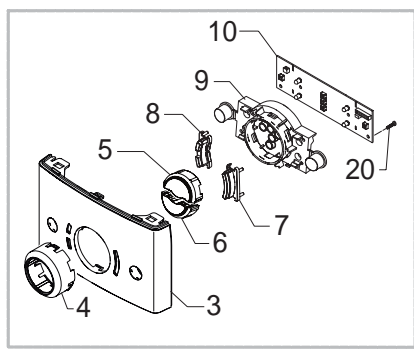


SPIDEM SUPO35-SUP035R-SUP035DR

CE Cod.10002516-17-18-2696- 2732-33-34
Cod.10002736-2881-3062-63-72-73-3112-13-14

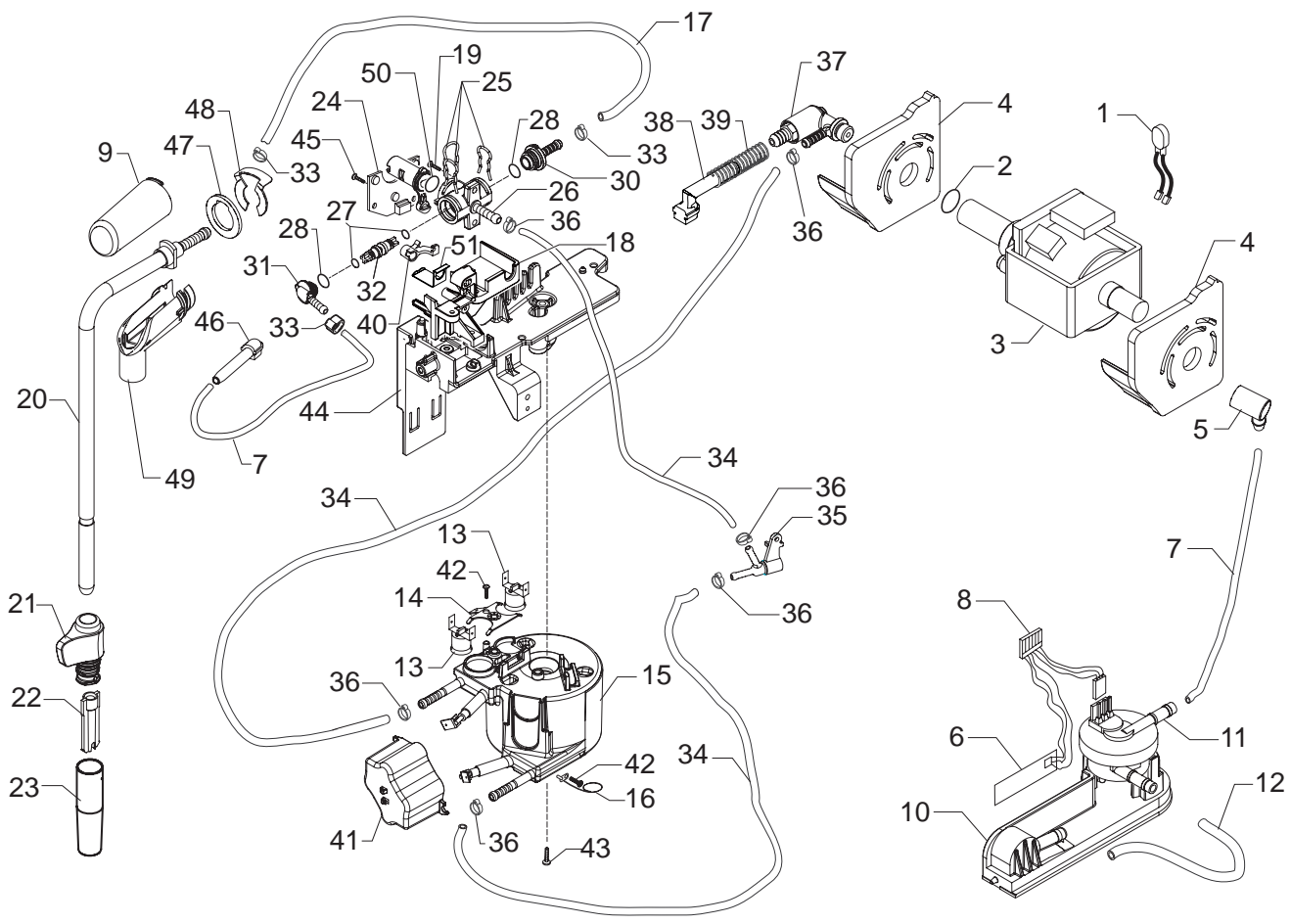
POS	CODE	DESCRIPTION	NOTE	POS	CODE	DESCRIPTION	NOTE	
01	15001323	MANUAL INSTRUCTIONS SPIDEM S0053/A-B	V1 I/GB/D/F/E/P/NL/PL	25	11009821	SILVER LEFT SIDE CASING G0053		
	15001324	MANUAL INSTRUCTIONS SPIDEM S0053/C	V1 DGT GB/F/E/P	26	12000450	SCREW TCB TORX 10 3,5X12 PLAST.GALVANIZ		
	15001636	INSTRUCT.MANUAL SPI S0053/C I/D/NL/PL	V1 DGT ID/NL/PL	27	11009770	GREY WATER-STEAM KNOB P0049		
	15001861	INSTRUCTIONS MANUAL SPI S0053/C GB/P	V2 DGT GB/P	28	11004372	SILVER WATER-STEAM KNOB P0049 W/O.N/S/SC		
	15001867	INSTRUCTIONS MANUAL SPI S0053A-B GB/P	V2 DGT GB/P	29	11004687	MOUNTING PLATE WITH PIN P0049 PP+T ASSY.		
02	11005044	SAECO KLUBER TRIBOSTAR SIL 2 TUBE 5GR.		30	11009301	MOUNTING PLATE WITH PIN P0049 UL ASSY.		
03	11003785	BLACK GRINDER ADJUSTMENT KEY P0049		31	12000280	CUP SOCKET EN 60320 C 13		
04	183911050	POWER CABLE SCHUKO BLACK L=1200		32	U140.001	PANELVIT TCB 3,5X40 DIN 7505 B GAL		
	183921950	POWER CABLE SJT3 USA BLACK UL L=1200		33	11009735	RED RIGHT SIDE CASING G0053		
	183980650	POWER CABLE JAPON VCTF BLACK L=1200 MM		34	11007249	BLACK RIGHT SIDE CASING G0053		
	11004245	POWER CABLE BRA. H05VV-F 3X1,5 L=1200 MM		35	11009820	SILVER RIGHT SIDE CASING G0053		
05	11009772	RED WATER TANK OUTLET COVER G0053		36	11009771	RED DOOR G0053		
	11007279	BLACK WATER TANK OUTLET COVER G0053		37	11007317	BLACK DOOR G0053		
	11009829	SILVER WATER TANK OUTLET COVER G0053		38	11009826	SILVER DOOR G0053		
06	13000695	CARTON INSERT FOR BOX S0053		39	11000223	BLACK WHEEL FOR CASING BOTTOM P124		
07	11009773	RED FRONT CASING S0053		40	9161.111	MAGNET FOR FLOAT SUPERAUTOM.		
	11008537	BLACK FRONT CASING S0053		41	129913202	SCREW TCB TORX 10 3X8 PLAST.ZN-B		
	11009809	SILVER FRONT CASING S0053		42	11003533	BLACK DUMP BOX P0049 ASSY.		
08	11002017	TRANSPARENT WATER CONTAINER P0053 ASSY.		43	11003154	BLACK REED SENSOR SUPPORT P0049		
09	224640200	EXTERNAL FILTER FOR WATER CONTAINER ASSY	WITH PART.N°10	44	11005046	BLACK INSIDE COVER DOOR G0053		
10	140328461	EPDM OR METRIC 0190-10		45	11009739	RED CLOSING CAP FOR CASING G0053		
11	11003672	SPRING FOR WATER CONTAINER VALVE P0049		46	11008530	BLACK CLOSING CAP FOR CASING G0053		
12	11003673	GREY WATER CONTAINER VALVE INSERT P0049		47	11009825	SILVER CLOSING CAP FOR CASING G0053		
13	11003671	TRANSP.VALVE FOR WATER CONTAINER P0049			11009734	RED DRIP TRAY COFFEE UNIT G0053		
14	11001298	BLACK LID FOR DUCKBILL VALVE P0049			11007312	BLACK DRIP TRAY COFFEE UNIT G0053		
15	13000640	PS-E UPPER INSERT FOR BOX S0053			11009805	SILVER DRIP TRAY COFFEE UNIT G0053		
16	13000631	PS-E LOWER INSERT FOR BOX S0053			129914002	SCREW TCB TORX 10 3,5X16 PLAST.ZN-B		
17	13000641	FLEXOGR.BOX S0053 brand nome			11001668	NATURAL/GREY WATER CONTAINER LID P0053		
18	11011209	CPU+SW P0057 V1 ASSY.	230V		43	11010592	LWR INSULATE SHEET PWR ELECT.BOARD S0053	(ONLY 120V)
	11006345	CPU+SW AS.P0057 POP	100V-120V		44	11008867	5P.CONNECT.RATIOMOTOR/DOOR/DUMPBOX S0053	
19	11008531	TRANS/GREY BEAN COFFEE CONTAIN.LID S0053			45	U043.004	ZN-B TCB SCREW M4X16	
20	129661702	SCREW TCB TORX 3,5X30 PLAST.ZN-B			46	11013367	BLACK BEAN CONTAIN.FINGER PROTECT.S0053	
21	11008533	NATUR/GREY BEAN CONTAINER PROTECT.S0053			47	11012466	BRASS BUSH BEAN CONT.FINGER PROTEC.P0057	
22	11001340	BLACK DOOR PIN P0049						
23	11009806	BLACK COVER CASING S0053						
	11008786	SILVER COVER CASING S0053						
	11013725	SILVER V2 COVER CASING S0053						
	11013726	BLACK V2 COVER CASING S0053						
24	11008956	SS SPRING FOR LOCK DOOR G0053						
25	11009736	RED LEFT SIDE CASING G0053						
	11007251	BLACK LEFT SIDE CASING G0053						



SPIDEM SUPO35-SUP035R-SUP035DR

CE Cod.10002516-17-18-2696- 2732-33-34
Cod.10002736-2881-3062-63-72-73-3112-13-14

POS	CODE	DESCRIPTION	NOTE	POS	CODE	DESCRIPTION	NOTE
01	11008915	GREY FRONT CASING COVER S0053		31	11008801	BLACK UPPER AROME BUTTON S0053/B S/SCR.	
	11008791	SILVER FRONT CASING COVER S0053		32	11008582	BLACK DISPLAY SUPPORT S0053/C	
	11009831	BLACK FRONT CASING COVER S0053		33	11007146	KEYBOARD S0053/C	(DGT RS)
02	129913202	SCREW TCB TORX 10 3X8 PLAST.ZN-B		34	12000970	DISPLAY CMG117847Z01 S0053/C	
03	11008795	GREY FRONT PANEL S0053/A S/SCREEN					
	11008796	SILVER FRONT PANEL S0053/B S/SCREEN	(RS - RS V2)				
	11013430	SILVER FRONT PANEL S0053/A S/SCR.SPIDEM	(ONLY V2)				
04	11008821	GREY FRONT PANEL NUT S0053					
	11009828	BLACK FRONT PANEL NUT S0053					
05	11008799	BLACK UPPER COFFEE BUTTON S0053/B S/SCR.					
06	11008800	BLACK LOWER COFFEE BUTTON S0053/B S/SCR.					
07	11008545	NATURAL/GREY RIGHT LED COVER CAP S0053					
08	11008546	WHITE LEFT LED COVER CAP S0053					
09	11008790	BLACK BUTTONS SUPPORT S0053 S/SCREEN					
10	11008599	KEYBOARD S0053/A					
	11007145	KEYBOARD S0053/B	(RS - RS V2)				
11	11008554	TRANSPARENT PLATE FOR DISPLAY S0053/C					
12	11008536	BLACK DRIP TRAY S0053					
	11009823	SILVER DRIP TRAY S0053					
13	11008534	BLACK GRATE FOR DRIP TRAY S0053					
	11010010	BLACK GRATE FOR DRIP TRAY S0053					
14	11008542	GREY FRONT COFFEE DISPENSER COVER S0053					
	11009834	SILVER FRONT COFF.DISPENSER COVER S0053					
	11009835	BLACK FRONT COFFEE DISPENSER COVER S0053					
15	129914002	SCREW TCB TORX 10 3,5X16 PLAST.ZN-B					
16	9011.144	FORK FOR TUBE D.4					
17	11009297	TEFLON TUBE 2X4 L=155 MM ASSY.					
18	11006504	BLACK TUBE TEFLON INSERT G0053					
19	140328059	OR 2015 IN SILICONE PTFE/FDA					
20	12000450	SCREW TCB TORX 10 3,5X12 PLAST.GALVANIZ					
21	11008541	BLACK COFFEE DISPENSER TUBE S0053					
22	126772718	SPRING FOR DOOR P107					
23	145898300	GREY RETAINING INSERT COFFEE DISPENSER					
24	11008543	BLACK MOBILE BODY COFFEE DISPENSER S0053					
25	11004741	BLACK DRIP TRAY GUIDE G0053					
	11009286	BLACK DRIP TRAY GUIDE G0053 UL					
26	11008540	BLACK DISPENSING SUPPORT S0053					
27	11008797	BLACK FRONT PANEL S0053/C S/SCREEN	(DGT RS)				
28	11008804	SILVER FRONT PANEL NUT S0053					
29	11008802	BLACK RIGHT LOWER COF.BUTTON S0053/C S/S					
30	11008803	BLACK LEFT LOWER COF.BUTTON S0053/C S/S					

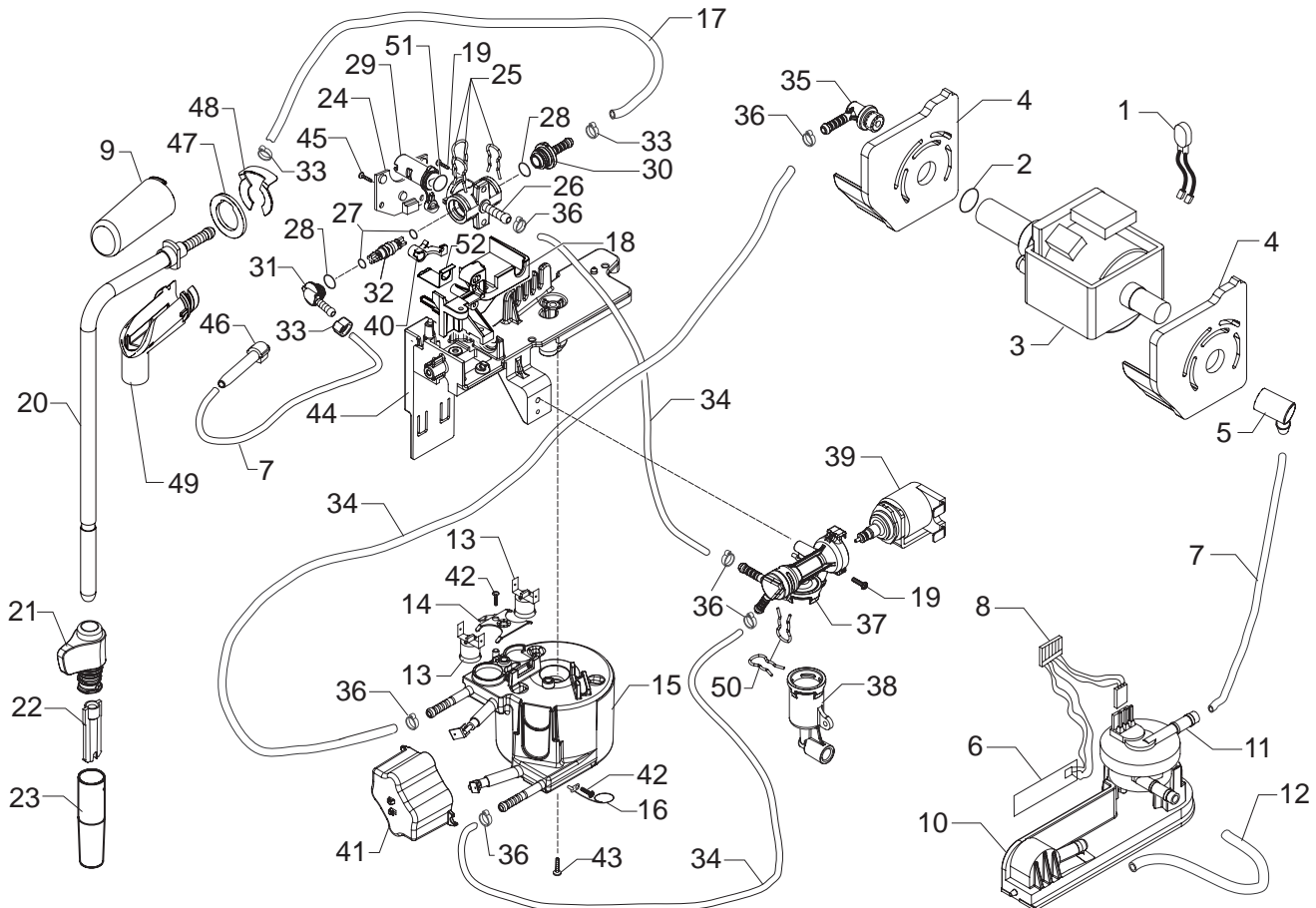


SPIDEM SUPO35

CE Cod.10002516-17-18-2696- 2732-33-34
Cod.10002736-2881-3062-63-72-73-3112-13-14

POS	CODE	DESCRIPTION	NOTE
01	11005668	2POLES CONNECTOR PUMP P0049 UL	
02	140321961	OR 2031 IN TERMOIL	
03	12000140	ULKA PUMP EP5/S GW	230V-50HZ
	12000142	ULKA PUMP EAP5/S	120V-60HZ
	12000130	ULKA PUMP EP5/S GW	100V-50/60HZ
04	11006296	BLACK PUMP SUPPORT P0049 ASSY.	
05	147920150	90°CONNECTOR PUMP INLET	
06	11000651	WATER LEVEL SENSOR BOARD P124	
07	149360200	SILICONE TUBE 5X8 70SR	IN ROLL
08	11008906	3 POLES CONNECT.FLOWMETER S0053 UL	
09	142853850	BLACK COVER CONNECTOR STEAM TUBE SMART	
10	11003670	BLACK TURBINE SUPPORT V2 P0049	
11	12000781	TURBINE D=1,2 932-8521/90 ASSY.	
12	JS01.022	SILICONE TUBE 5X10 60 SHORE	IN ROLL
13	189428600	THERMOSTAT 175° 1NT-08L-5125	
	12001034	UP TO S/N.9008SR40097344 THERMOSTAT ONE SHOT 175° FROM S/N.9008SR40097345	
14	11001751	THERMOSTATES SPRING FOR BOILER	
15	11011341	ALUM.BOILER/V4 ASSY.	230V-1300W
	11011342	ALUM.BOILER/V4 ASSY.	120V-1300W
	11011346	ALUM.BOILER/V4 ASSY.	100V-1100W
16	190800100	TEMPERATURE SENSOR NTC UL L=280MM	
17	16000170	WHITE BRAIDED SILICON TUBE 3X6	IN ROLL
18	11006022	BLACK FAUCET SUPPORT G0053	
19	129913902	SCREW TCB TORX 10 3X12 PLAST.ZN-B	
20	11008806	ST.STEEL STEAM TUBE S0053 ASSY.	
21	11007194	BLACK STEAM TUBE HANDGRIP G0053	
22	11001620	PANNARELLO INTERNAL TUBE P0049	
23	11001769	BLACK COVER PANNARELLO P0049	
24	11007569	TAP ELECTRONIC CARD G0053 ASSY.	
25	11001499	FORK SPRING FOR FAUCET P0049	
26	11004625	TEA/BRASS FAUCET CASING P0049	
27	12000890	OR 2012 IN EPDM FDA 70 SH	
28	12000931	OR 108 IN EPDM FDA 70 SH	
29	11004135	PLAST/BRASS FAUCET SHAFT P0049 ASSY.	
30	11001546	FAUCET STRAIGHT CONNECTOR P0049	
31	11001544	BLACK FAUCET CONNECTOR P0049	
32	11004134	TEA/BRASS FAUCET SHAFT P0049	
33	NF11.052	OETIKER CLIP	
34	16000380	5X8,9 SILICONE TUBE	IN ROLL

POS	CODE	DESCRIPTION	NOTE
35	11001330	BLACK CONNECTOR FOR PIN BOILER P0049	
36	12000892	OETIKER CLAMP D=9,5 16700004	
37	11010166	SAFETY VALVE 16-18 BAR V2 P0049 ASSY.	
38	11001629	PUMP DESCARGING WATER CONNECTION P0049	
39	11005003	DESCARGING WATER CONNECTOR SPRING P0049	
40	11008876	BRASS FAUCET BLOCK INSERT P0049/A	
41	11005284	BLACKBOILER CONNECTORS COVER P0049/P0053	
42	129573202	SCREW TCB PH/TT 4X8 UNI 8112 ZNP	
43	129932502	SCREW TCEI 5X30 PLAST.ZN-B	
44	11001332	BLACK BOILER-FAUCET-VALVE SUPPORT P0049	
45	129913202	SCREW TCB TORX 10 3X8 PLAST.ZN-B	
46	11001630	MILK ISLAND DESCARGING WATER CONNECTION	
47	11001624	STEAM TUBE WASHER P0049	
48	NF11.084	FOLK SPRING	
49	147921750	BLACK CONNECTOR STEAM TUBE SMART	
50	140321861	OR 2025 EPDM	
51	11002957	SS.FAUCET FOR SPRING P0049	
	11008698	TEA/BRASS FAUCET P0049-P0053 ASSY. WITH PART. N°25-26-27-28-29-30-31-32-50-51	
	11007206	ALUM.BOILER G0053/P 230V ASSY.	COMPLETE
	11010838	ALUM.BOILER G0053/P 120V ASSY.	COMPLETE
	11010889	ALUM.BOILER G0053/P 100V ASSY.	COMPLETE

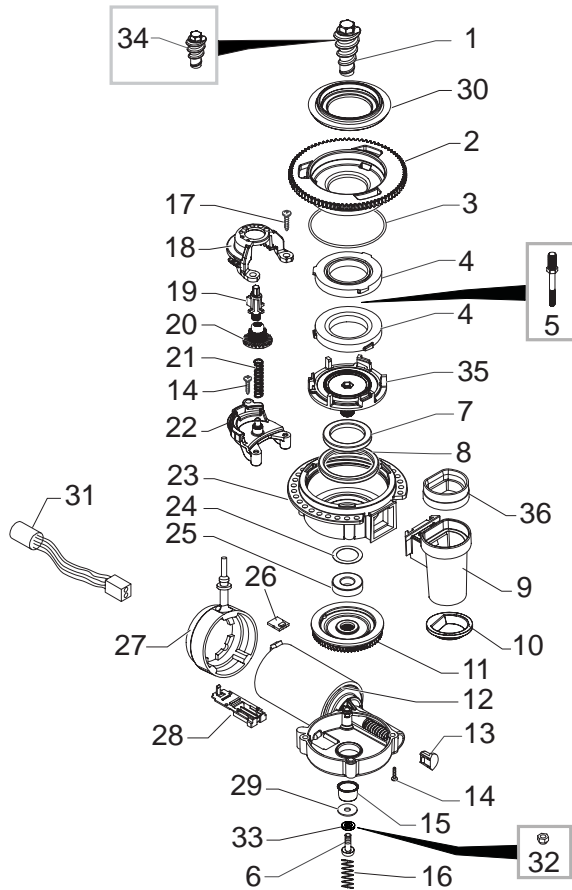


SPIDEM SUP035R-SUP035DR

CE Cod.10002516-17-18-2696- 2732-33-34
Cod.10002736-2881-3062-63-72-73-3112-13-14

POS	CODE	DESCRIPTION	NOTE
01	11005668	2POLES CONNECTOR PUMP P0049 UL	
02	140321961	OR 2031 IN TERMOIL	
03	12000140	ULKA PUMP EP5/S GW	230V-50HZ
	12000142	ULKA PUMP EAP5/S	120V-60HZ
	12000130	ULKA PUMP EP5/S GW	100V-50/60HZ
04	11006296	BLACK PUMP SUPPORT P0049 ASSY.	
05	147920150	90°CONNECTOR PUMP INLET	
06	11000651	WATER LEVEL SENSOR BOARD P124	
07	149360200	SILICONE TUBE 5X8 70SR	IN ROLL
08	11008906	3 POLES CONNECT.FLOWMETER S0053 UL	
09	142853850	BLACK COVER CONNECTOR STEAM TUBE SMART	
10	11003670	BLACK TURBINE SUPPORT V2 P0049	
11	12000781	TURBINE D=1,2 932-8521/90 ASSY.	
12	JS01.022	SILICONE TUBE 5X10 60 SHORE	IN ROLL
13	189428600	THERMOSTAT 175° 1NT-08L-5125	
	12001034	UP TO S/N.9008SR40097344 THERMOSTAT ONE SHOT 175° FROM S/N.9008SR40097345	
14	11001751	THERMOSTATES SPRING FOR BOILER	
15	11011341	ALUM.BOILER/V4 ASSY.	230V-1300W
	11011342	ALUM.BOILER/V4 ASSY.	120V-1300W
	11011343	ALUM.BOILER/V4 ASSY.	100V-1100W
16	190800100	TEMPERATURE SENSOR NTC UL L=280MM	
17	16000170	WHITE BRAIDED SILICON TUBE 3X6	IN ROLL
18	11006022	BLACK FAUCET SUPPORT G0053	
19	129913902	SCREW TCB TORX 10 3X12 PLAST.ZN-B	
20	11008806	ST.STEEL STEAM TUBE S0053 ASSY.	
21	11007194	BLACK STEAM TUBE HANDGRIP G0053	
22	11001620	PANNARELLO INTERNAL TUBE P0049	
23	11001769	BLACK COVER PANNARELLO P0049	
24	11007569	TAP ELECTRONIC CARD G0053 ASSY.	
25	11001499	FORK SPRING FOR FAUCET P0049	
26	11004625	TEA/BRASS FAUCET CASING P0049	
27	12000890	OR 2012 IN EPDM FDA 70 SH	
28	12000931	OR 108 IN EPDM FDA 70 SH	
29	11004135	PLAST/BRASS FAUCET SHAFT P0049 ASSY.	
30	11001546	FAUCET STRAIGHT CONNECTOR P0049	
31	11001544	BLACK FAUCET CONNECTOR P0049	
32	11004134	TEA/BRASS FAUCET SHAFT P0049	
33	NF11.052	OETIKER CLIP	
34	16000380	5X8,9 SILICONE TUBE	IN ROLL

POS	CODE	DESCRIPTION	NOTE
35	11001054	90°CONNECTOR PUMP OUTLET P0049/B	
36	12000892	OETIKER CLAMP D=9,5 16700004	
37	20000591	BLOWDOWN VALVE CASING P0049 ASSY.	
38	20000592	BLOWDOWN VALVE CONNECTOR P0049 ASSY.	
39	20000590	BLOWDOWN VALVE COIL P0049 ASSY.	230V
	20000680	BLOWDOWN VALVE COIL P0049 ASSY.	120V
	20000681	BLOWDOWN VALVE COIL P0049 ASSY.	100V
40	11008876	BRASS FAUCET BLOCK INSERT P0049/A	
41	11005284	BLACKBOILER CONNECTORS COVER P0049/P0053	
42	129573202	SCREW TCB PH/TT 4X8 UNI 8112 ZNP	
43	129932502	SCREW TCEI 5X30 PLAST.ZN-B	
44	11001332	BLACK BOILER-FAUCET-VALVE SUPPORT P0049	
45	129913202	SCREW TCB TORX 10 3X8 PLAST.ZN-B	
46	11001630	MILK ISLAND DESCARGING WATER CONNECTION	
47	11001624	STEAM TUBE WASHER P0049	
48	NF11.084	FOLK SPRING	
49	147921750	BLACK CONNECTOR STEAM TUBE SMART	
50	11005096	FORK SPRING FOR VALVE P0049	
51	140321861	OR 2025 EPDM	
52	11002957	SS.FAUCET FOR SPRING P0049	
	11008698	TEA/BRASS FAUCET P0049-P0053 ASSY. WITH PART. N°25-26-27-28-29-30-31-32-51-52	
	11001543	BLOWDOWN VALVE P0049 230V ASSY.	
	11005604	BLOWDOWN VALVE P0049 120V ASSY.	
	11005751	BLOWDOWN VALVE P0049 100V ASSY. WITH PART.N°37-38-39-50	
	11008945	ALUM.BOILER S0053/B-C 230V ASSY.	COMPLETE
	11010881	ALUM.BOILER S0053/B-C 120V ASSY.	COMPLETE
	11010886	ALUM.BOILER S0053/B-C 100V ASSY.	COMPLETE



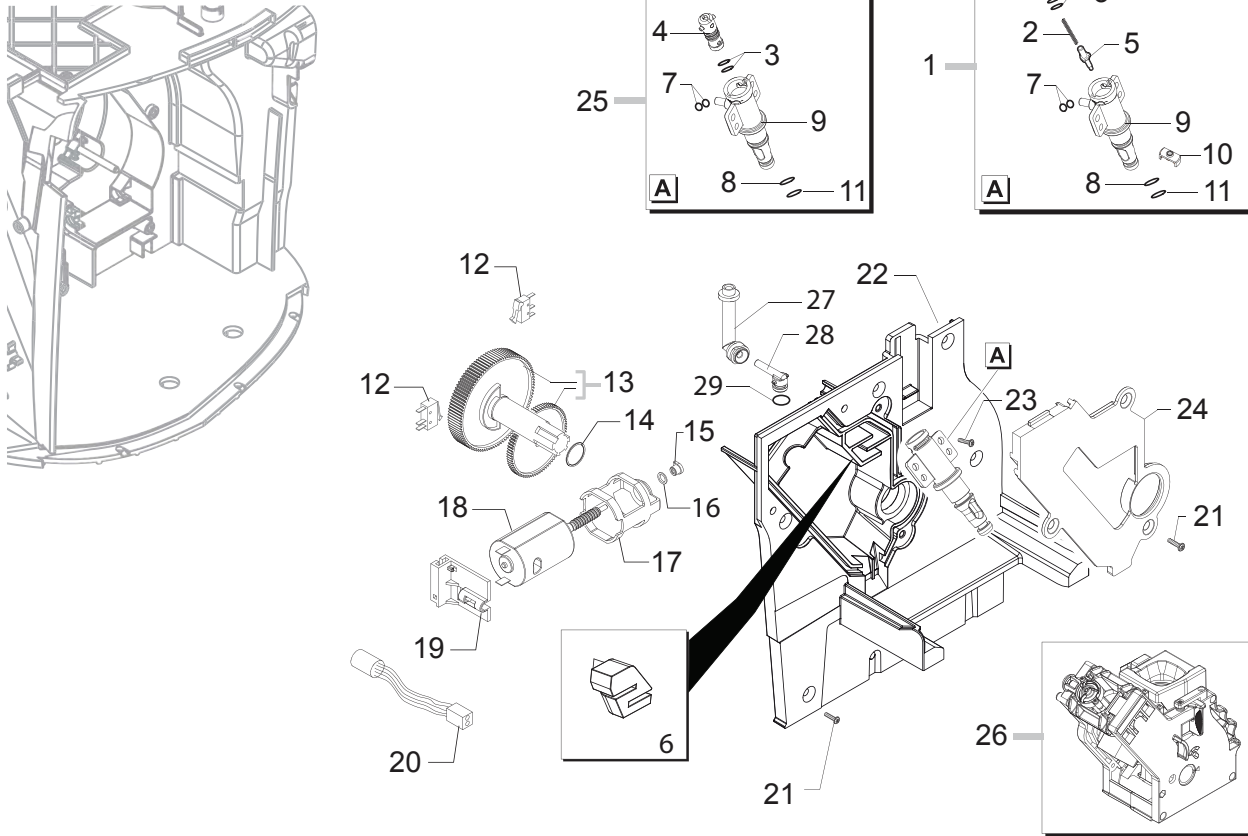
SPIDEM SUPO35-SUP035R-SUP035DR



Cod.10002516-17-18-2696- 2732-33-34
Cod.10002736-2881-3062-63-72-73-3112-13-14

POS	CODE	DESCRIPTION	NOTE
01	9141.001	BRASS INCREMENT SCREW MC UP TO S/N.9009SR40027132	
	11011205	TEA/ZAMA INCREASE SCREW GRINDER FROM S/N.9009SR40027133	
02	149198250	UPPER GRINDER SUPPORT COFFEEGRINDER	
03	140328960	NBR FDA OR METRIC 0530-15	
04	146520100	BAKED CLAY GRINDER 48X28	
05	127473603	STEEL PIN M4-M6 FOR INCREMENT SCREW UP TO S/N.9009SR40027132	
06	129574802	SCREW TCB TORX 20 M4X30 ZN-B FROM S/N. 9009SR40027133	
07	123030300	AXIAL BEARING EKKO 342.35252	
08	140360500	FELT RING 45,4X39,4X4	
09	11012564	GROUND COFFEE OUTLET CONVEYOR V2 ASSY	
10	145854462	GROUND COFFEE CONT.SEAL LOWER SMART1	
11	226000300	GEAR SX Z=38 FOR GRINDER MOTION ASSY.	
12	11000513	MOTOR COFFEEGRINDER/V3.1 DOMEL ASSY	230V
	11000511	MOTOR COFFEEGRINDER/V3.1 DOMEL ASSY	120V
	11000512	MOTOR COFFEEGRINDER/V3.1 DOMEL ASSY	100V
13	149214800	CAP FOR WORM SCREW MC/V3 CENTRING	
14	129661702	SCREW TCB PH 3,5X30 PLAST.ZN-B	
15	11002873	INSULATOR BUSH FOR GRINDER MOTOR P124	
16	11000597	COFFEE GRINDER SUPPORT SPRING P124	
17	129914002	SCREW TCB TORX 10 3,5X16 PLAST.ZN-B	
18	11002508	UPPER GEAR SUPPORT COFFEEGRINDER P124	
19	11003446	BLACK INSERT FOR COFFEE GRINDER P0049	
20	11003784	COFFEE GRINDING ADJUSTMENT GEAR P0049	
21	11002572	GRINDER REGULATION SPRING P124	
22	11002613	LOWER GEAR SUPPORT COFFEEGRINDER P124	
23	142905450	UPPER BODY WITH COFFEE.GROUND OUTLET	
24	128381800	CRINKLE WASHER 21,8X15,8X0,2	
25	123030200	RADIAL BEARING 61900.2RS1	
26	181540900	ELECTRONIC BOARD WITH SENSOR HAL506	
27	11001367	BLACK COFFEE GRINDER SUPPORT P0049	
28	149199050	SENSOR SUPPORT FOR COFF.GRIND.MOTOR	
29	128381902	GALVAN.FLAT WASH.DI=4,3 DE=14 SP=1,5	
30	145857062	COFFEE GRINDER SEAL P119	
31	11008871	3 POLES CONNECTOR MC SENSOR S0053 UL	
32	123453102	SELF LOCK NUT M4 DIN 982 HIGH GALV. UP TO S/N. 9009SR40027132	

POS	CODE	DESCRIPTION	NOTE
33	128310402	GALV.WASHER UNI 8842 A4 FROM S/N. 9009SR40027133	
34	11010031	TEA/ZAMA INCREASE SCREW GRINDER	
35	149198350	LOWER GRINDER SUPPORT COFFEEGRINDER	
36	145854360	GROUND COFFEE CONT.SEAL UPPER SMART1	
	11008943	GENERAL MOTOR MC S0053 230V ASSY.	
	11010837	GENERAL MOTOR MC S0053 120V ASSY.	
	11010885	GENERAL MOTOR MC S0053 100V ASSY.	
	11013435	GENERAL MOTOR MC V3 S0053 230V ASSY.	
	11014082	V2 GENERAL MOTOR MC S0053 120V ASSY.	
	11021815	GENERAL MOTOR MC V2 S0053 100V ASSY.	



SUPO35-SUP035R-SUP035DR



Cod.10002516-17-18-2696- 2732-33-34
Cod.10002736-2881-3062-63-72-73-3112-13-14

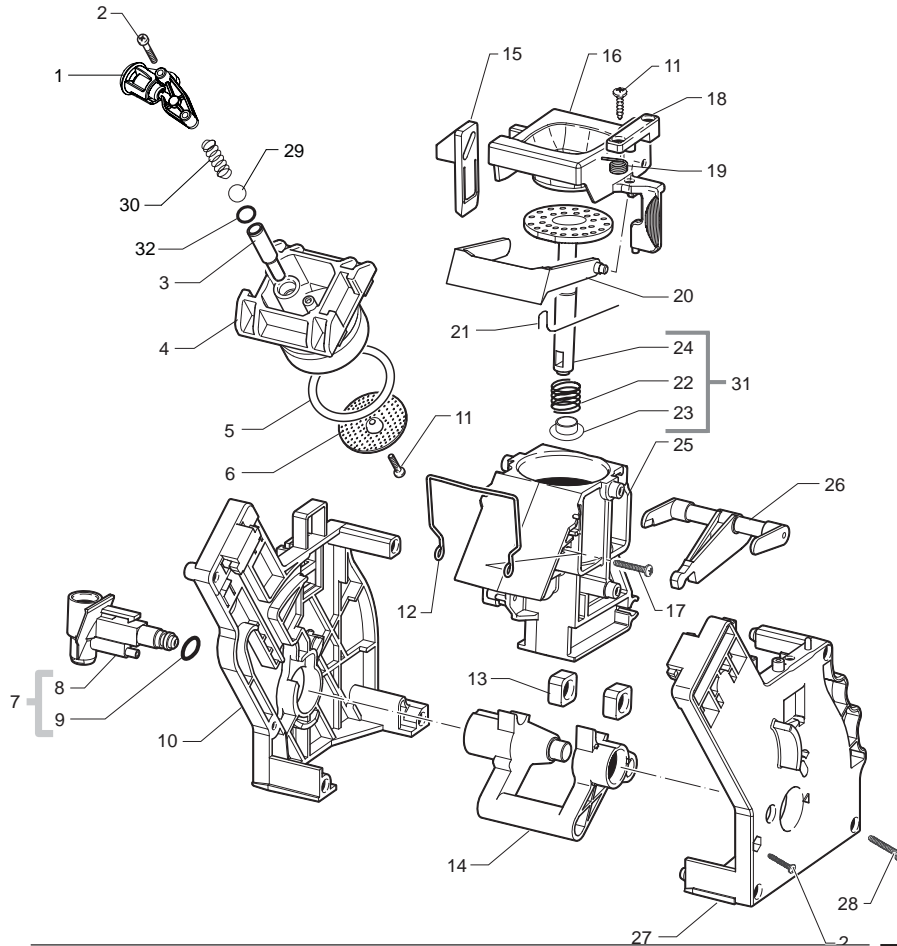
POS	CODE	DESCRIPTION	NOTE	POS	CODE	DESCRIPTION	NOTE
01	11005060	PIN V2 FOR BOILER P119 ASSY.	SUP035				
02	9011.132	SPRING FOR PIN					
03	140324459	OR ORM 0060-20 IN SILICONE PTFE/FDA					
04	11003820	CAP V2 FOR PIN BOILER P119					
05	11009019	TEA/BRASS PISTON L=20.9 ASSY.					
06	11022216	BLACK PROTECTION FOR COVER PLATE P0049					
07	140328059	OR 2015 IN SILICONE PTFE/FDA					
08	NM01.035	OR ORM 0090-20 SILICONE					
09	11003801	PIN V2 FOR BOILER P119					
10	11005099	CURSOR V2 FOR BOILER P119					
11	NM01.057	OR ORM 0050-20 SILICONE					
12	NE05.038	MICROSWITCH					
13	20000900	SPARES KIT GEARS FOR RATIOMOTOR V2					
14	9161.132	MYLAR WASHER FOR RATIOMOTOR					
15	9121.046	SINTERED BUSH FOR MOTOR					
16	148380200	WASHER BAKELIZZATE D=5,5					
17	9121.044	ANTIVIBRATION FOR MOTOR					
18	11003037	MOTOR FOR RATIOMOTOR ASSY.					
19	11001331	BLACK MICROSWITCH SUPPORT DUMP BOX P0049					
20		PARTICULAR NOT AVAILABLE	SEE PART.N°44 TABLE 01				
21	129914102	SCREW TSP TORX 10 3,5X12 PLAST.ZN-B					
22	11006337	BLACK COVER MOUNTING PLATE P0049 ASSY.					
	11009287	BLACK COVER MOUNTING PLATE P0049 UL ASSY					
23	129914002	TCB SCREW 3,5X16 PLAST.					
24	11001312	BLACK COVER FOR VAIN BOILER P0049					
	11009284	BLACK COVER FOR VAIN BOILER P0049 UL					
25	11005113	PIN V2 FOR BOILER P049/B ASSY.	SUP035R-SUP035DR				
26	11009266	BLACK BREW UNIT 8GR. S0053 (SEE COD. EXPL. E90065 NEXT PAGE)					
27	11004086	VALVE DESCARGING WATER 90° CONNECTOR	SUP035R-SUP035DR				
28	11003648	COVER DESCARGING WATER 90° CONNECTOR	SUP035R-SUP035DR				
29	140325462	OR METRIC 0070-20 IN SILICONE	SUP035R-SUP035DR				



SPIDEM MY COFFEE - RS - DGT RS V1-V2

Rev. 01 - 02/02/10

TABLE 6/6



Saeco
INTERNATIONAL GROUP

SUP035



Cod. 11009266

POS	CODICE	DESCRIZIONE	NOTE
01	11009362	AS.MANICOTTO USCITA CAF.GRUP.S0053 NERO	
02	12000550	VITE TCB 3X25 PLAST.INOX	
03	11009276	TUBO X CONTROPIST.GRUPPO S0053 NERO	
04	11001840	CONTROPISTONE GRUPPO P124 8GR. NERO	
05	NM01.044	OR ORM 0320-40 IN SILICONE PTFE/FDA	
06	9161.268	DOCCIA DE=35,8 ELFO	
07	20000440	GRUPPO RICAMBIO MANICOTTO NERO	
08	9161.064.050	MANICOTTO ENTRATA ACQUA GRUP.CAFF.NERO	
09	NM02.007	OR 2025 TERMOIL	
10	9161.375.050	PIASTRA POSTERIORE GRUPPO SMART NERO	
11	12000895	VITE TSP 3X10 PLAST.INOX	
12	11001556	MOLLA RASATORE H=49 X GRUPPO CAF.SMART	
13	9161.094.150	BLOCCETTO FORATO GRUP.CAFFE' PA/GRIGIO	
14	9161.066.050	ALBERO A GOMITO X GRUPPO NERO	
15	9161.373.050	PIASTRINA AGGANCIO GRUP.CAF.SMART NERO	
16	149261350	TRAMOGGIA GRUPPO CAFFE' SMART1 NERO	
17	129912521	VITE TCBR 3,5X14 PLAST.INOX	
18	9161.374.050	PIASTRA FISS.TRAMOG.GRUP.CAF.SMART NERO	
19	9161.378	MOLLA TRAMOGGIA GRUPPO CAFFE' SMART	
20	11004161	RASATORE X GRUPPO CAFFE' NERO	
21	9161.046	MOLLA X RASATORE GRUPPO	
22	9161.198	MOLLA PISTONE GRUPPO CAFFE' M5000	
23	9161.191	BOCCOLA PISTONE GRUP.CAFF.M5000 NEUTRO	
24	11003077	AS.PISTONE INTEGRALE GRUP.P124 8GR.NERO	
25	11003075	AS.CONT.CAF.C/BOCC.SALD.GRUP.P124 8G.NER	
26	11003078	BIELLA X GRUPPO P124 8GR.NERO	
27	11005920	PIASTRA ANT.GRUPPO SMART S/F.NER.SER.NEW	
28	12000897	VITE TCB 3,5X20 PLAST.INOX	
29	9991.168	SFERA IN VETRO D.5 MM	
30	9161.222	MOLLA CONICA	
31	11023086	AS.GEN.PISTONE INTEGR.GRUP.CAF.8GR.NER.	
32	140328761	OR METRICO 0060-15 IN TERMOIL	
	11009266	GRUPPO CAFFE' 8GR.8BAR S0053 NERO	

POS	CODE	DESCRIPTION	NOTE
01	11009362	BLACK COFFEE OUTLET SLEEVE S0053 ASSY.	
02	12000550	SCREW TCB TORX 10 3X25 PLAST.SS	
03	11009276	TUBE FOR COUNTER PISTON BREW UNIT S0053	
04	11001840	BLACK COUNTER PISTON BREW UNIT 8GR.P124	
05	NM01.044	OR ORM 0320-40 IN SILICONE PTFE/FDA	
06	9161.268	PERCOLATOR DE=35,8 ELFO	
07	20000440	BLACK SPARE SLEEVE UNIT	
08	9161.064.050	BLACK WATER INLET SLEEVE BREW UNIT	
09	NM02.007	OR 2025 TERMOIL	
10	9161.375.050	BLACK REAR PLATE FOR BREW UNIT SMART	
11	12000895	SCREW TSP TORX 10 3X10 PLAST.SS	
12	11001556	SPRING H=49 FOR COFFEE BREW UNIT SMART	
13	9161.094.150	GREY DRILLED BLOCK BREW UNIT	
14	9161.066.050	ELBOW SHAFT FOR UNIT BLACK	
15	9161.373.050	BLACK COUPLING PLATE BREW UNIT SMART	
16	149261350	BLACK HOPPER DOSER BREW UNIT SMART1	
17	129912521	SCREW TCBR TORX 10 3,5X14 PLAST.SS	
18	9161.374.050	BLACK HOPPER BLOCKING PLATE UNIT SMART	
19	9161.378	SPRING HOPPER SMART BREW UNIT	
20	11004161	BLACK SCRAPER FOR COFFEE UNIT	
21	9161.046	SPRING FOR UNIT SCRAPER	
22	9161.198	PISTON SPRING BREW UNIT M5000	
23	9161.191	NEUTRAL PISTON BUSH BREW UNIT M5000	
24	11003077	BLACK INTEGRAL PISTON UNIT P124 8GR.ASS	
25	11003075	BLACK COFFEE CONTAINER BREW UNIT P124	
26	11003078	BLACK CONNECTING ROD FOR UNIT P124 8GR.	
27	11005920	BLACK FRONT PLATE BREW UNIT SMART S.SCR.	
28	12000897	SCREW TCB TORX 10 3,5X20 PLAST.SS	
29	9991.168	GLASS SPHERE D.5MM	
30	9161.222	CONICAL SPRING	
31	11023086	BLK 8GR.BREW UNIT NTEGR.PISTON GEN.ASS.	
32	140328761	OR METRIC 0060-15 IN TERMOIL	
	11009266	BLACK BREW UNIT 8GR.8BAR S0053	

Saeco
INTERNATIONAL GROUP

GRUPPO CAFFE' 8 GR. 8 BAR NERO

Rev. 02 - 10/11/09

TAVOLA 1/1