

Saeco INTERNATIONAL GROUP

SUP031OR

RI9753/47-RI9754/01-02-15-16-21-22-41-43
RI9754/47-RI9755/21-22-47-RI9757/01-03-47



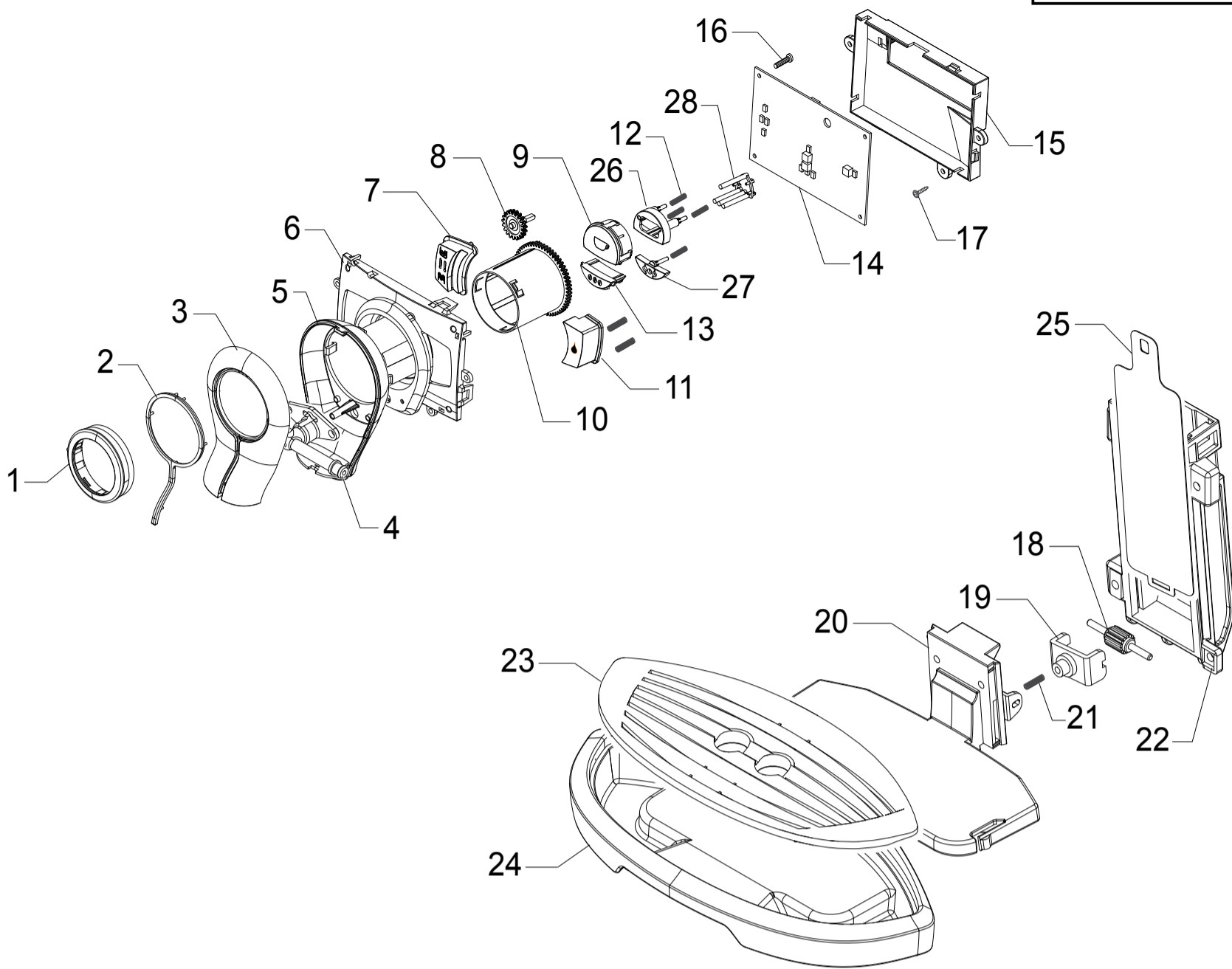
Cod.10003960-2745-2689-2858-25-2744-2688-2805-06
Cod.10002808-2743-2687-3222-3082-3490-3872-
Cod.1002807-09-30-36-37-59-2962-10003059-3695

POS	CODE	12NC	DESCRIPTION	NOTE	POS	CODE	12NC	DESCRIPTION	NOTE
01	15003335	996530073288	MANUAL V6 SAE SUP031OR P0049/B D/I		23	11013871	996530006892	SPECCHIATO LEFT SIDE CASING P0049	
	15003334	996530073292	MANUAL V6 SAE SUP031OR P0049/B E/P		24	11003533	996530001717	BLACK DUMP BOX P0049 ASSY.	
	15003332	996530073294	MANUAL V6 SAE SUP031OR P0049/B GB/F		25	11030318	996530072646	CARBONA COFFEE UNIT DRIP TRAY V2 P0049	
	15003309	996530073286	MANUAL V6 SAE SUP031OR P0049/B NL/PL			11030321	996530072783	MATTONE COFFEE UNIT DRIP TRAY V2 P0049	
	15002178	996530009416	MANUAL V4 SAE SUP031OR P0049/B GB/CHN			11030327	996530072642	TITANIO COFFEE UNIT DRIP TRAY V2 P0049	
	15002179	996530070253	MANUAL V4 SAE SUP031OR P0049/B GB/JAP			11030315	996530072784	VANILLA COFFEE UNIT DRIP TRAY V2 P0049	
	15002180	996530009417	MANUAL V4 SAE SUP031OR P0049/B GB/KOR			11030326	996530072644	SPECCHIATO COFF.UNIT DRIP TRAY V2 P0049	
	15003000	996530070252	MANUAL V5/GO SAE SUP031OR P0049/B GB/F		26	12001883	996530072437	CUP SOCKET V3 EN 60320 C 13	
	15003001	996530070249	MANUAL V5/GO SAE SUP031OR P0049/B E/P	GO PLUS GO PLUS	27	11007060	996530004022	GENERAL SWITCH P124	
02	11003889	996530001955	2POLES CONNECT.SENSOR REED DOOR P0049 UL		28	11004591	996530002433	CARBONA WATER TANK OUTLET COVER P0049	
03	11003785	996530001908	BLACK GRINDER ADJUSTMENT KEY P0049			11004393	996530002273	TITANIO WATER TANK OUTLET COVER P0049	
04	183911050	996530025808	BLACK POWER CABLE SCHUKO L=1200			11004415	996530002294	MATTONE WATER TANK OUTLET COVER P0049	
	183930650	996530025858	POWER CABLE CH BLACK 3X1 H05VV-F L=1200			11010692	996530005844	VANILLA WATER TANK OUTLET COVER P0049	
	183921950	996530025843	POWER CABLE SJT3 USA BLACK UL L=1200			11013874	996530006894	SPECCHIATO WATER TANK OUTLET COVER P0049	
	183940650	996530025872	BLACK POWER CABLE AUSTRALIA L=1200		29	11011355	996530006035	TRANSP.BEAN CONTAINER V2 P0049	
	183980650	996530025894	BLACK POWER CABLE JAPPON VCTF L=1200MM		30	11001762	996530001005	NAT/GREY BEAN COFFEE CONT.LID P0049 ASSY	
	11004245	996530002165	BLACK POWER CABLE BRAZIL L=1200		31	11009191	996530005331	BLACK POWER BOARD PROTECTION V2 P0049	
	11004246	996530002166	BLACK POWER CABLE TAIWAN HVCTF L=1200		32	11022788	996530007441	PWR BOARD V2 P0053	230V
	11004247	996530002167	BLACK POWER CABLE CHINA L=1200			11029201	996530073291	POWER BOARD SB P0049 230V	
	11001985	996530001089	BLACK POWER CABLE KOREA L=1200					FROM S/N. TW901249599456	
05			PARTICULAR NOT AVAILABLE	SEE PART.N°50				PWR BOARD P0049/P0053	100V-120V
06			PARTICULAR NOT AVAILABLE	SEE PART.N°50		11003968	996530001977		
07			PARTICULAR NOT AVAILABLE	SEE PART.N°50	33	9161.111	996530050555	MAGNET FOR FLOAT SUPERAUT.	
08	11001746	996530000992	NAT/GREY WATER CONTAINER P0049 ASSY.		34	11008956	996530005133	SS DOOR LOCK SPRING G0053	
09	224640200	996530029115	WHITE WATER CONTAINER EXT.FILTER ASSY.	WITH PART. N°10	35	11001340	996530000764	BLACK DOOR PIN P0049	
10	140328461	996530013571	OR ORM 0190-10 EPDM		36	11004578	996530002425	CARBONA DOOR P0049	
11	11003672	996530001831	SS SPRING FOR WATER CONTAIN.VALVE P0049			11004391	996530002271	TITANIO DOOR P0049	
12	11003673	996530001832	GREY WATER CONTAINER VALVE INSERT P0049			11004413	996530002292	MATTONE DOOR P0049	
13	11003671	996530001829	TRANSP.VALVE FOR WATER CONTAINER P0049			11010691	996530005843	VANILLA DOOR P0049	
14	11001298	996530000733	BLACK LID FOR DUCKBILL VALVE P0049			11013872	996530006893	SPECCHIATO DOOR P0049	
15	11001308	996530000744	NAT/GREY WATER CONTAINER LID P0049		37	11001091	996530000642	BLACK DOOR INSIDE COVER P0049	
16	11030061	996530072442	MOUNTING PLATE W/PIN V3 P0049 ASSY.			11009283	996530005374	BLACK INSIDE COVER DOOR P0049 UL	
	11030062	996530072441	MOUNTING PLATE W/PIN V3 P0049 UL ASSY.		38	11004592	996530002434	CARBONA ON-OFF BUTTON INSERT P0049	
17	11000223	996530000126	BLACK WHEEL FOR CASING BOTTOM P124			11004055	996530002004	TITANIO ON-OFF BUTTON INSERT P0049	
18	11030740	996530073352	SPEC.CASING COV.V4 S/S.ODEA GIROPL P0049			11004540	996530002392	MATTONE ON-OFF BUTTON INSERT P0049	
	11030680	996530073353	SPEC.CASING COV.V4 S/SCR.ODEA GIRO P0049			11010671	996530005831	INS.TASTO ON-OFF P0049 VANILLA	
	11030741	996530073416	SPEC.CASING COV.V4 S/SC.ODEA GO PL P0049			11004072	996530002021	SPECCHIATO ON-OFF BUTTON INSERT P0049	
	11030683	996530073417	WHT CASING COV.V4 S/SCR.ODEA GIRO P0049		39	11011129	996530005982	SPECCHIATO ON-OFF SWITCH BUTTON P0049	
19	11010717	996530005862	SPECCHIATO WATER-STEAM KNOB P0049		40	129913202	996530013156	SCREW TCB TORX 10 3X8 PLAST.ZN-B	
	11010693	996530005845	CHROM.WATER-STEAM KNOB P0049		41	11001339	996530000763	TRANSP.INFRAREDS PLATE P0049	
20	11004142	996530002084	SILVER PLATE LOGO SAECO NEW P0049/P0053		42	NF11.084	996530059199	PHOSPH/STEEL FOLK SPRING	
			UP TO S/N. TW901249589223		43	11001624	996530000929	BLACK STEAM TUBE WASHER P0049	
21	11004908	996530002602	BLACK PLATE WITH LOGO ODEA P0049 GIRO		44	11005287	996530002822	BLACK STEAM KNOB BUSH P0053	
	11004909	996530002603	BLACK PLATE W/LOGO ODEA P0049 GIRO PLUS		45	11003154	996530001476	BLACK REED SENSOR SUPPORT P0049	
			UP TO S/N. TW901249589223		46	11028379	996530070318	PSA KLUBER TRIBOSTAR SIL 2 TUBE 5GR.	
	11027202	996530070251	BLACK PLATE W/LOGO ODEA P0049 GO PLUS		47	129661702	996530012992	SCREW TCB TORX 3.5X30 PLAST.ZN-B	
			UP TO S/N. TW901249589223		48	11006567	996530003666	LOWER INSULATE SHEET PWR ELE.BOARD P0053	(ONLY 120V)
22	11004575	996530002423	CARBONA RIGHT SIDE CASING P0049		49	11007234	996530004168	UPPER INSULATE SHEET PWR ELE.BOARD P0053	(ONLY 120V)
	11004389	996530002268	TITANIO RIGHT SIDE CASING P0049		50	20006675	996530010234	KIT SPARES FOR PACKAGING V3 P0049	
	11004411	996530002289	MATTONE RIGHT SIDE CASING P0049					FROM S/N. 9009SA40111760	
	11010667	996530005826	VANILLA RIGHT SIDE CASING P0049						
	11013870	996530006891	SPECCHIATO RIGHT SIDE CASING P0049						
23	11004576	996530002424	CARBONA LEFT SIDE CASING P0049						
	11004390	996530002269	TITANIO LEFT SIDE CASING P0049						
	11004412	996530002291	MATTONE LEFT SIDE CASING P0049						
	11010670	996530005829	VANILLA LEFT SIDE CASING P0049						

Saeco INTERNATIONAL GROUP

ODEA GIRO V2

TABLE 1/7



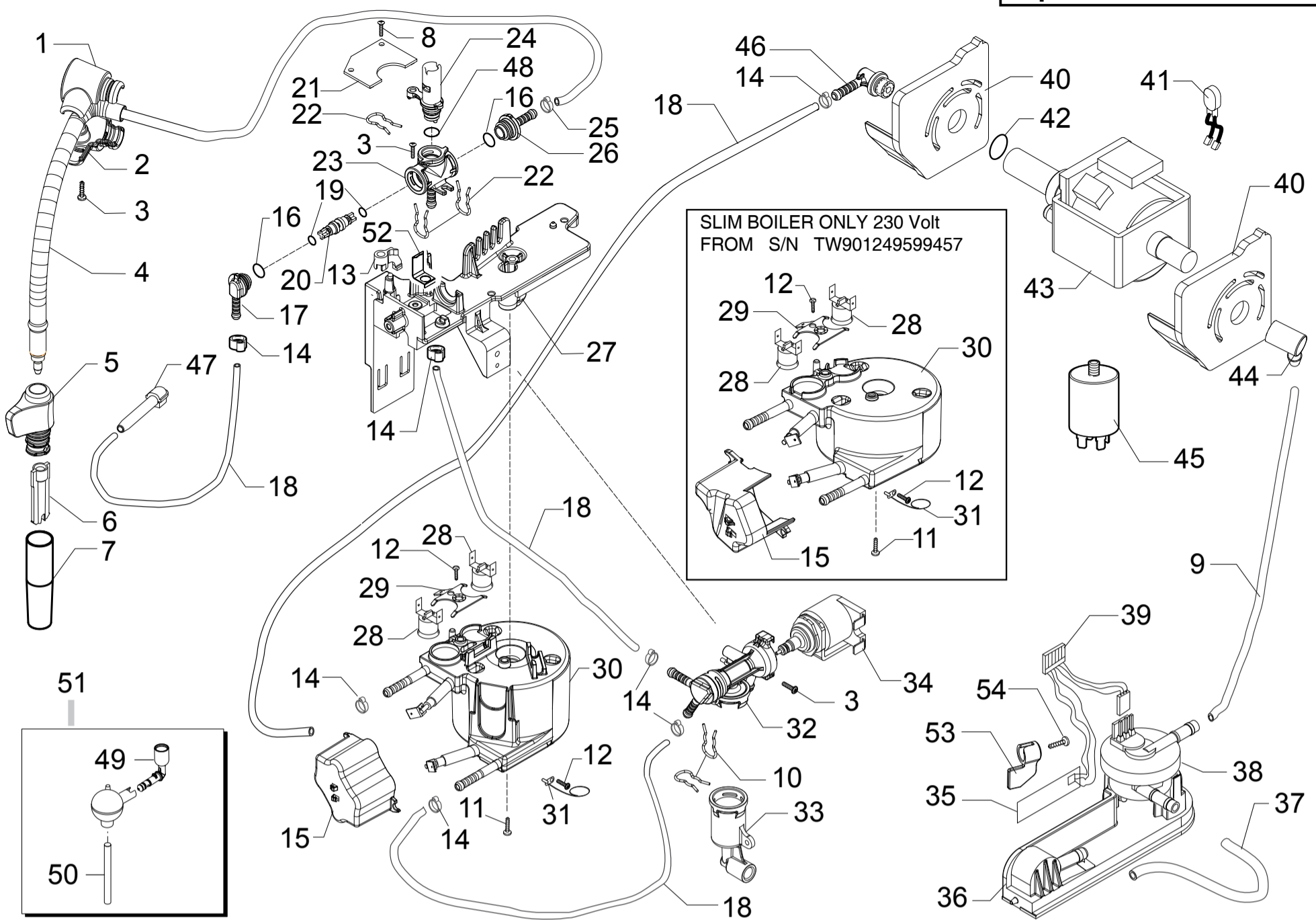
Saeco SUP031OR
INTERNATIONAL GROUP

RI9753/47-RI9754/01-02-15-16-21-22-41-43
RI9754/47-RI9755/21-22-47-RI9757/01-03-47



Cod.10003960-2745-2689-2858-25-2744-2688-2805-06
Cod.10002808-2743-2687-3222-3082-3490-3872-
Cod.1002807-09-30-36-37-59-2962-10003059-3695

POS	CODE	12NC	DESCRIPTION	NOTE	POS	CODE	12NC	DESCRIPTION	NOTE
01	11011220	996530005994	SPECCH.COFF.HEIGHT REGULATION NUT P0049						
	11004100	996530002042	CHROM.COFFEE HEIGHT REGULATION NUT P0049						
02	11001788	996530001022	AMBRA COFFEE DISPENSER LENS P0049						
03	11011223	996530005996	SPEC.FRONT COFF.DISPENS.COVER S/SC.P0049						
04	11001772	996530001015	BLACK COFFEE DISPENSER INNER TUBE P0049						
05	11011221	996530005995	SPECCH.REAR COF.DISPENSER COVER P0049						
06	11011224	996530005997	SPECCHIATO FRONT CPU CARD SUPPORT P0049						
07	11001351	996530000768	BLACK ALLARMS BUTTON P0049						
08	11001320	996530000752	BLACK GEAR Z=19 P0049						
09	11001354	996530000772	BLACK COFFEE BUTTON P0049/B						
	11004388	996530002267	CARBONA COFFEE BUTTON S/SCR.P0049/A						
10	11001314	996530000751	BLACK SUPPORT FOR RING NUT P0049						
11	11001352	996530000769	BLACK WATER BUTTON P0049						
12	11001363	996530000781	SS BUTTONS SPRING P0049						
13	11001355	996530000773	BLACK COFFEE DOSE BUTTON P0049/B						
14	20003340	996530010152	KIT SPARES CPU+SW V2 P0049 ASSY. UP TO S/N. TW901249599456						
	20007210	996530073293	KIT SPARES CPU+SW SB P0049 ASSY. FROM S/N. TW901249599457						
15	11001299	996530000734	BLACK REAR CPU CARD SUPPORT P0049.						
16	129913202	996530013156	SCREW TCB TORX 10 3X8 PLAST.ZN-B						
17	12000450	996530007819	SCREW TCB TORX 10 3,5X12 PLAST.ZN-N						
18	11001758	996530001002	PIN WITH BLACK INSERT P0049 ASSY.						
19	11001335	996530000758	BLACK DRIP TRAY PIN INSERT P0049						
20	17002054	996530072781	BLACK DRIP TRAY SUPPORT V2 P0049						
21	11001364	996530000782	SS DRIP TRAY MOVE SPRING P0049						
22	11001294	996530000728	BLACK DRIP TRAY GUIDE P0049						
23	11011128	996530005981	SPECCHIATO DRIP TRAY GRATE P0049						
24	11009633	996530005476	CARBONA DRIP TRAY P0049						
25	11007037	996530004003	SPECCHIATO DRIP TRAY PROTECTION V2 P0049						
26	11001350	996530000767	BLACK COFFEE BUTTON SPACER P0049/B						
	11001334	996530000757	BLACK COFFEE BUTTON SPACER P0049/A	USA UL					
27	11001309	996530000745	BLACK COFFEE DOSE BUTTON SPACER P0049						
28	11001291	996530000726	TRANSP.LED COVER CAP P0049						



Saeco SUP031OR
INTERNATIONAL GROUP

RI9753/47-RI9754/01-02-15-16-21-22-41-43
RI9754/47-RI9755/21-22-47-RI9757/01-03-47



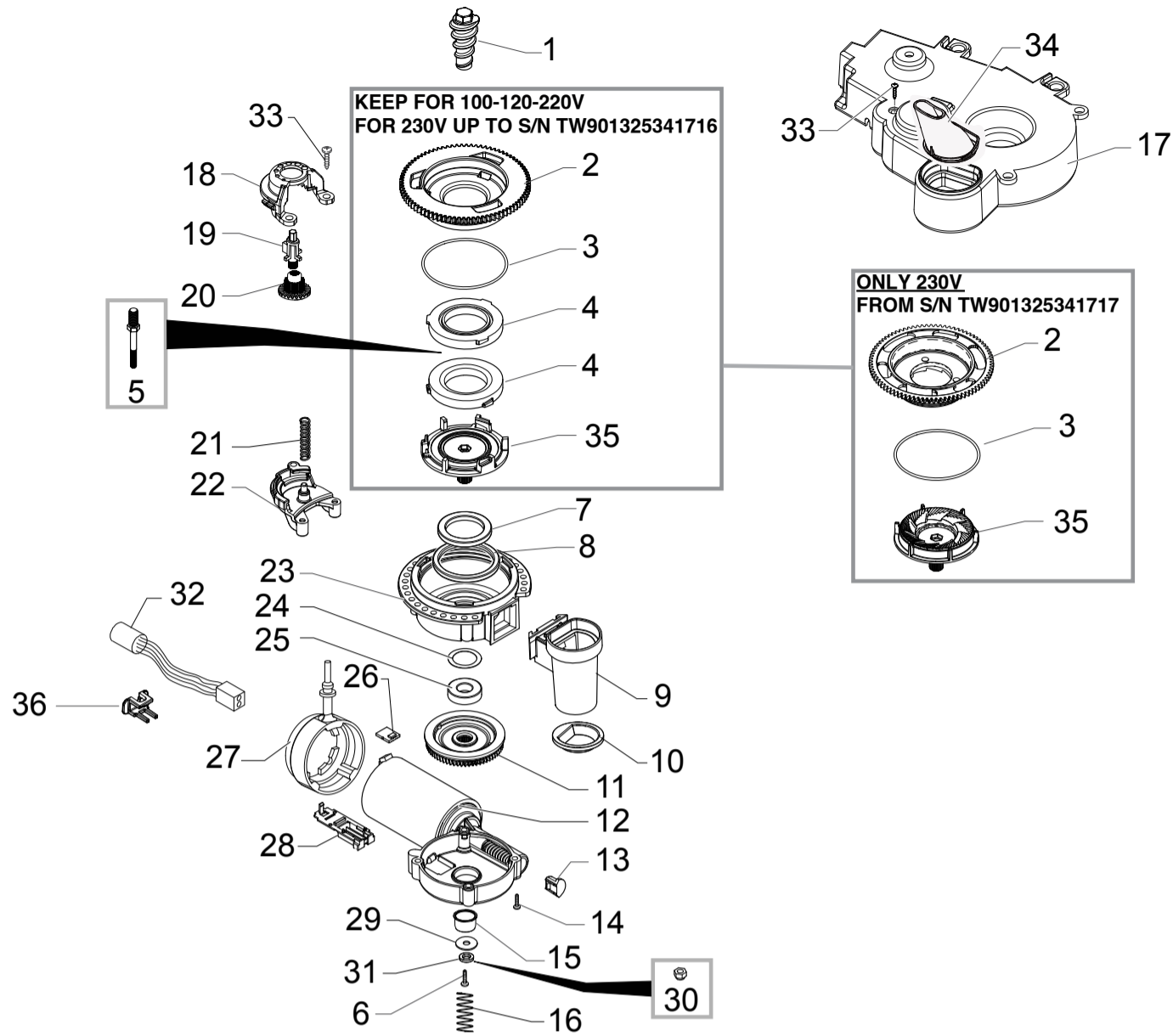
Cod.10003960-2745-2689-2858-25-2744-2688-2805-06
Cod.10002808-2743-2687-3222-3082-3490-3872-
Cod.1002807-09-30-36-37-59-2962-10003059-3695

POS	CODE	12NC	DESCRIPTION	NOTE	POS	CODE	12NC	DESCRIPTION	NOTE
01	11004196	996530002117	CHROM.UPPER STEAM TUBE COVER P0049		34	20000681	996530009875	BLOWDOWN VALVE COIL P0049 ASSY.	100V
02	11004197	996530002118	CHROM.LOWER STEAM TUBE COVER P0049		35	20000920	996530009914	BLOWDOWN VALVE COIL P0049 ASSY	220V-60HZ
03	129913902	996530013164	SCREW TCB TORX 10 3X12 PLAST.ZN-B		36	1100651	996530000425	WATER LEVEL SENSOR BOARD P124	
04	11022486	996530007383	TF/CHROM.STEAM TUBE V2 P0049/P0053 ASSY.		37	11003232	996530001522	AS.CPU+SW WATER LEVEL SENSOR V2	230V
05		421941300681	BLK/SIL.STEAM TUBE HANDGRIP P0049		38	11003670	996530001828	BLACK TURBINE SUPPORT V2 P0049	
06	11001620	996530000925	BLACK PANNARELLO INNER TUBE P0049		39	JS01.022	996530057357	SILICONE TUBE 5X10 60SH	IN ROLL
07	11001769	996530001012	BLACK PANNARELLO COVER P0049		40	12000781	996530007887	TURBINE D=1,2 932-8521/90 ASSY.	
	11001621	996530000926	SS PANNARELLO COVER P0049		41	11005648	996530003031	6 POLES CONNECT.LEVEL+FLOWMETER P0049 UL	120V-230V
08	129913202	996530013156	SCREW TCB TORX 10 3X8 PLAST.ZN-B		42	11006296	996530003462	BLACK PUMP SUPPORT P0049 ASSY.	
09	149360200	996530018269	SILICONE TUBE 5X8 70SR	IN ROLL	43	11005668	996530003036	2POLES CONNECTOR PUMP P0049 UL	100V-230V
10	11005096	996530002744	SS FORK SPRING FOR BLOWDOWN VALVE P0049		44	140321961	996530013471	O-RING 2031 TERMOIL	
11	129932502	996530013201	SCREW TSP 5X30 PLAST.ZN-B	STD BOILER	45	12000140	996530007753	ULKA PUMP EP5/S GW	230V-50HZ
	12001369	996530008039	SCREW TSP TORX 10 5X35 PLAST.SS	SLIM BOILER		12000130	996530007749	ULKA PUMP EP5/S GW	100V-50/60HZ
12	12001715	9965300069758	SCREW TCB TORX 20 M4X8 AUTOFORMING ZN-B			12000142	996530007754	ULKA PUMP EAP5/S	120V-60HZ
13	11008876	996530005077	BLK BRASS FAUCET BLOCK INSERT P0049/A			12000182	996530007782	ULKA PUMP EP5/S GW	220V-60HZ
14	12000892	996530007947	OETIKER CLAMP D=9,5 16700004		46	147920150	996530017348	90° INLET PUMP CONNECTOR	
15	11005284	996530002821	BLACKBOILER CONNECTORS COVER P0049/P0053	STD BOILER	47	12000005	996530007709	ANTIDISTURB FILTER 10A FNC 1005474103P	230V
	17000386	9965300066737	BLK BOILER CONNECTORS COVER P0049/P0053	SLIM BOILER	48	12000007	996530007711	QUICK-LOCK ANTIDISTURB FILTER 16A	120V
16	12001613	9965300067867	O-RING 108 EPDM PEROX.FOOD 70 SH		49	12001363	996530008036	QUICK-LOCK ANTIDISTURB FILTER 16A	100V
17	11001544	996530000888	BLACK FAUCET CONNECTOR P0049		50	11001054	996530000624	BLK PUMP OUTLET 90°CONNECTOR P0049/B	
18	16000380	996530009505	5X8,9 SILICONE TUBE	IN ROLL	51	11001630	996530000935	BLK MILK ISLAND DESCARG.WATER CONN.P0049	
19	12001614	9965300067769	OR 2012 IN EPDM PEROX.FOOD 70 SH		52	12001615	9965300067929	OR 2025 IN EPDM PEROX.FOOD 70 SH	
20	11004134	996530002075	TEA/BRASS FAUCET SHAFT P0049		53	11010217	996530005656	BLK CONNec.FOR SPHERIC.CAPPUC.P0049 ASSY	
21	11007569	996530004425	FAUCET ELECTRONIC CARD G0053 ASSY.		54	149360400	996530018272	TRANSPARENT SILICONE TUBE 3,5X6	IN ROLL
22	11001499	996530000853	SS FAUCET FORK SPRING P0049		55	11010494	996530005792	BLACK GEN.SPHERICAL CAPPUCIN.P0049 ASSY	
23	11004625	996530002455	TEA/BRASS FAUCET CASING P0049		56	11002957	996530001408	SS.FAUCET FOR SPRING P0049	
24	11025776	9965300067941	PLAST/BRASS FAUCET SHAFT V2 P0049 ASSY.		57	17001879	996530073171	BLK CAPACIT.SENSOR DEADLOCK INSERT P0049	
25	NF11.052	9965300059178	OETIKER CLIP		58	12000450	996530007819	SCREW TCB TORX 10 3,5X12 PLAST.ZN-N	
26	11001546	996530000891	BLACK FAUCET STRAIGHT CONNECTOR P0049			11025775	996530067768	TEA/BRASS FAUCET V2 P0049-P0053 ASSY. WITH PART. N°16-17-19-20-22-23-24-26-48	
27	11001332	996530000755	BLACK BOILER-FAUCET-VALVE SUPPORT P0049			11001543	996530000887	BLOWDOWN VALVE P0049 230V ASSY.	
28	189428600	996530026958	THERMOSTAT 175° 1NT-08L-5125			11005604	996530003001	BLOWDOWN VALVE P0049 120V ASSY.	
		12001034	THERMOSTAT ONE SHOT 175°	STD BOILER		11005751		BLOWDOWN VALVE P0049 100V ASSY.	
			UP TO S/N.9008SA40365462			11009021	996530005185	BLOWDOWN VALVE P0049 220V-60HZ ASSY. WITH PART. N°10-32-33-34	
			FROM S/N.9008SA40365463			11002031	996530001114	TUB.BOILER P0049/C 230V ASSY.	STD COMPLETE
		262279998757	THERMOSTAT OPEN/CLOSE 190/-35DEGC B	SLIM BOILER		11023770	996530066697	SLIM TUB.BOILER P0049/C 230V ASSY.	SLIM COMPLETE
29	11001751	996530000997	TUB.BOILER V3 UPPER THERM.FIXING SPRING			11005776	996530003115	TUB.BOILER P0049/C 120V ASSY.	COMPLETE
30	11011341	996530006025	V4 TUB.BOILER ASSY.1300W 220v-230V	STD BOILER		11005777	996530003116	TUB.BOILER P0049/C 100V ASSY	COMPLETE
		11013735	AS.CALD.TUB.SLIM 1300W 230V	SLIM BOILER		11009110	996530005282	TUB.BOILER P0049/C 220V-60HZ ASSY.	COMPLETE
		11011342	V4 TUB.BOILER ASSY.	1300W 120V					
		11011343	V4 TUB.BOILER 1300W 100V ASSY.	1300W 100V					
31	190800100	996530026997	TEMPERATURE SENSOR NTC UL L=280MM						
32	20000591	996530009861	BLK BLOWDOWN VALVE CASING KIT P0049						
33	20000592	996530009862	BLOWDOWN VALVE CONNECTOR P0049 ASSY.						
34	20000590	996530009859	BLOWDOWN VALVE COIL P0049 ASSY.	230V					
	20000680	996530009874	BLOWDOWN VALVE COIL P0049 ASSY.	120V					

Saeco
INTERNATIONAL GROUP

ODEA GIRO V2

TABLE 3/7



Saeco INTERNATIONAL GROUP

SUP031OR

RI9753/47-RI9754/01-02-15-16-21-22-41-43
RI9754/47-RI9755/21-22-47-RI9757/01-03-47



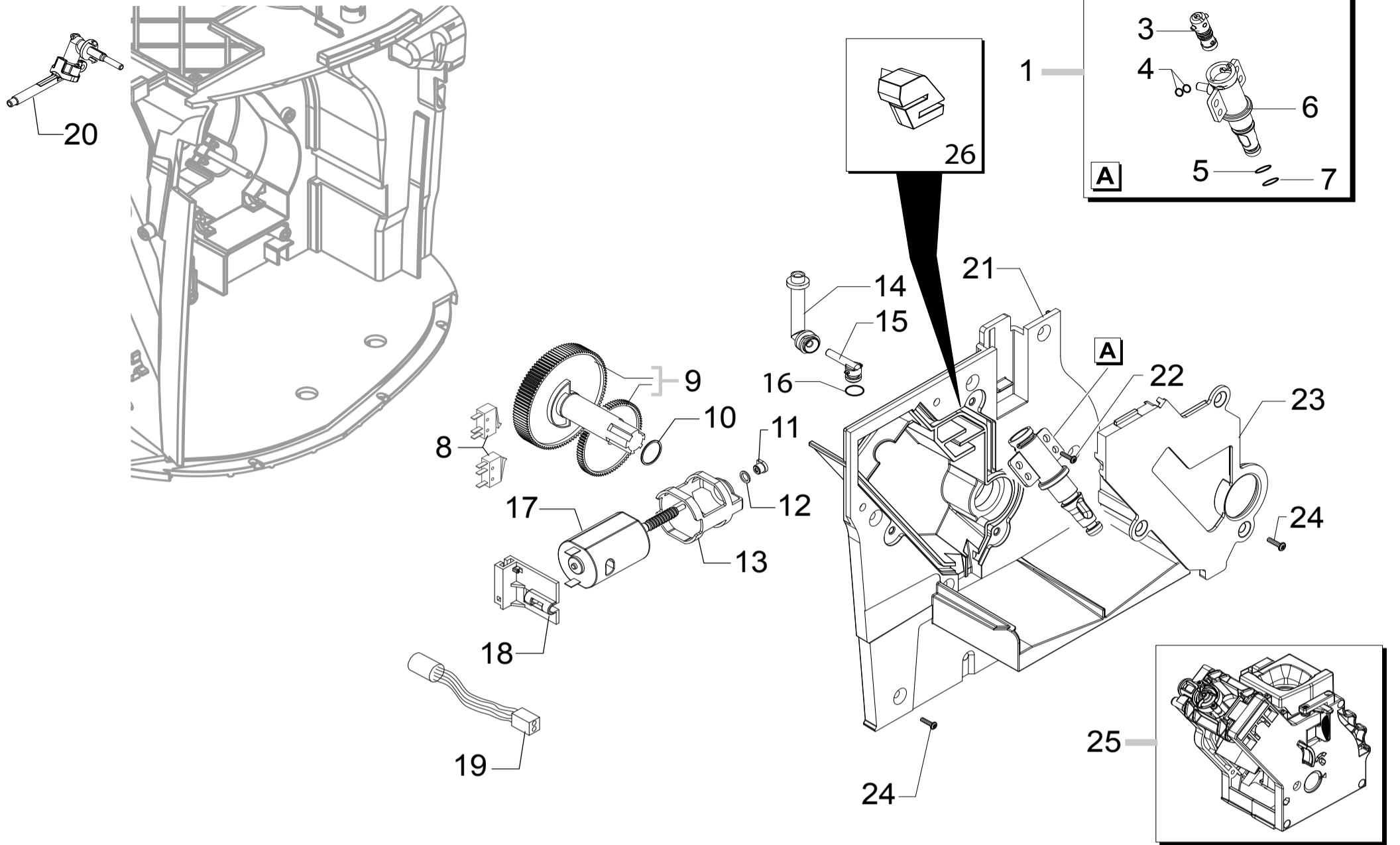
Cod.10003960-2745-2689-2858-25-2744-2688-2805-06
Cod.10002808-2743-2687-3222-3082-3490-3872-
Cod.1002807-09-30-36-37-59-2962-10003059-3695

POS	CODE	12NC	DESCRIPTION	NOTE	POS	CODE	12NC	DESCRIPTION	NOTE
01	9141.001	996530050195	BRASS INCREMENT SCREW MC UP TO S/N. 9008SA40315750		27	11001367	996530000785	BLACK COFFEE GRINDER SUPPORT P0049	
	11011205	996530005991	TEA ZAMA INCREASE SCREW GRINDER FROM S/N. 9008SA40315751		28	149199050	996530017963	BLK SENSOR SUPPORT FOR COF.GRINDER MOTOR	
02	-	421941094152	BLK COF.GRINDER UPPER GRINDER SUPPORT V2 FOR 230V UP TO S/N TW901325341716	KEEP FOR 100-120V	29	128381902	996530012375	STEEL FLAT WASHER DI=4,3 DE=14 SP=1,5	
	11027349	996530073677	BLK UPPER SUPPORT WITH COMOLDED MILL V2 FROM S/N TW901325341717	ONLY 230V	30	123453102	996530011241	GALV.SELF LOCK NUT HIGH M4 DIN 982 UP TO S/N. 9008SA40315750	
03	140328960	996530013577	OR ORM 0530-15 NBR FDA		31	128310402	996530012341	GALV.WASHER UNI 8842 A4 FROM S/N. 9008SA40315751	
04	146520100	996530016342	BAKED CLAY GRINDER 48X28 FOR 230V UP TO S/N TW901325341716	KEEP FOR 100-120V	32	11005658	996530003033	5POLES CONNECTOR MC SENSORS P0049 UL	
05	127473603	996530012028	STEEL PIN M4-M6 FOR INCREMENT SCREW UP TO S/N. 9008SA40315750		33	129914002	996530013165	SCREW TCB TORX 10 3,5X16 PLAST.ZN-B	
06	129574802	996530012928	SCREW TCB TORX 20 M4X30 ZN-B FROM S/N. 9008SA40315751		34	11004199	996530002119	BLACK BREW UNIT CONDENSE CONVEYOR P0049	
07	123030300	996530011183	AXIAL BEARING EKKO 342.35252		35	149198350	996530017952	BLK LOWER COFFEEGRINDER GRINDER SUPPORT FOR 230V UP TO S/N TW901325341716	KEEP FOR 100-120V
08	140360500	996530013597	FELT RING 45,4X39,4X4			11027348	996530073671	BLK LOWER SUPPORT WITH COMOLDED MILL V2 FROM S/N TW901325341717	ONLY 230V
09	11026355	996530068049	BLK GROUND COFF.OUTLET CONVEYOR V4 ASSY.		36	17001921	996530072477	BLK WIRING FIX INSERT FOR GRINDER BOARD	
10	11030459	996530072511	GRY GROUND COFFEE CONT.LOWER SEAL SMART1			11007416	996530004292	GEN.MOTOR COF.GRINDER V2 P0049 ASSY UP TO S/N TW901325341716	230V
11	226000300	996530029609	GEAR SX Z=38 FOR GRINDER MOTION ASSY.			-	421941303031	AS.GEN.MOTORE MC COST.P0049 230V FROM S/N TW901325341717	
12	11000513	996530000317	MOTOR COFFEEGRINDER V3.1 ASSY.	230V		11007417	996530004293	GEN.MOTOR COF.GRINDER V2 P0049 ASSY	120V
	11000511	996530000315	MOTOR COFFEEGRINDER V3.1 ASSY.	120V		11007418	996530004294	GEN.MOTOR COF.GRINDER V2 P0049 ASSY	100V
	11000512	996530000316	MOTOR COFFEEGRINDER V3.1 ASSY.	100V					
13	149214800	996530018139	MC V3 MOD=1,25 WORM SCREW CENTRING CAP						
14	129661702	996530012992	SCREW TCB TORX 3,5X30 PLAST.ZN-B						
15	11002873	996530001389	INSULATOR BUSH FOR GRINDER MOTOR P124						
16	11000597	996530000376	COFFEE GRINDER SUPPORT SPRING P124						
17	11001826	996530001044	COFFEE GRINDER SOUNDPROOFING COVER P0053						
18	11002508	996530001296	UPPER COFFEEGRINDER GEAR SUPPORT P124						
19	11003446	996530001673	BLACK BEAN COFFEE GRINDER INSERT P0049						
20	11003784	996530001907	COFFEE GRINDING ADJUSTMENT GEAR P0049						
21	11002572	996530001308	COFFEEGRINDER REGULATION SPRING P124						
22	11002613	996530001314	LOWER COFFEEGRINDER GEAR SUPPORT P124						
23	142905450	996530015258	BLK UPPER BODY WITH COFFEE GROUND OUTLET						
24	128381800	996530012374	STEEL CRINKLE WASHER 21,8X14X0,25						
25	123030200	996530011182	RADIAL BEARING 61900.2RS1						
26	181540900	996530022784	ELECTR.BOARD WITH SENSOR HAL506 SF-K						

Saeco INTERNATIONAL GROUP

ODEA GIRO V2

TABLE 4/7



Saeco INTERNATIONAL GROUP

SUP031OR

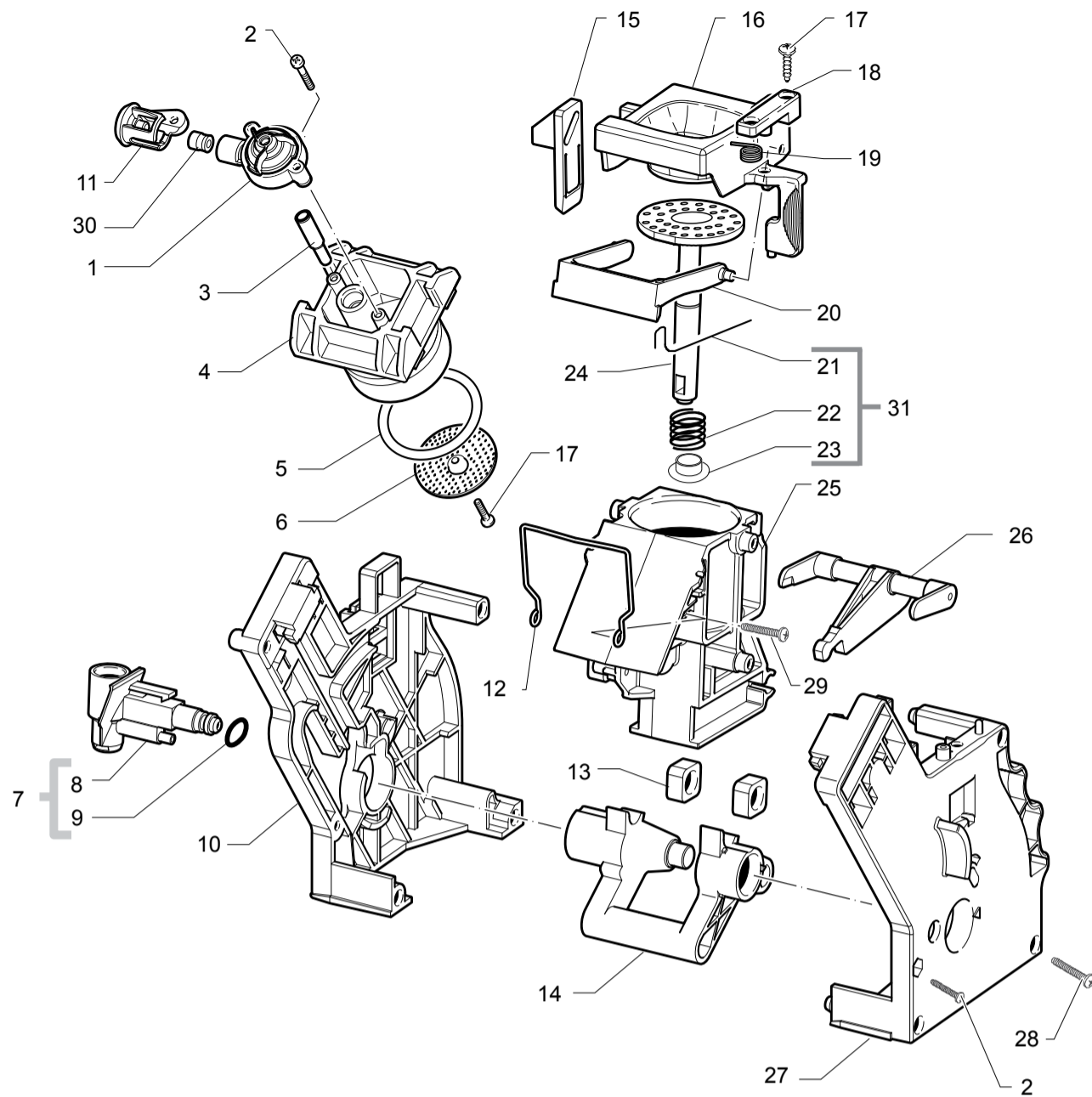
RI9753/47-RI9754/01-02-15-16-21-22-41-43
RI9754/47-RI9755/21-22-47-RI9757/01-03-47



Cod.10003960-2745-2689-2858-25-2744-2688-2805-06
Cod.10002808-2743-2687-3222-3082-3490-3872-
Cod.1002807-09-30-36-37-59-2962-10003059-3695

POS	CODE	12NC	DESCRIPTION	NOTE	POS	CODE	12NC	DESCRIPTION	NOTE
01	11005113	996530002757	PIN V2 FOR BOILER P049/B ASSY.						
02	140324459	996530013508	OR ORM 0060-20 SILICONE PTFE/FDA						
03	11003820	996530001932	BLACK CAP V2 FOR PIN BOILER P119						
04	140328059	996530013564	OR 2015 SILICONE PTFE/FDA						
05	NM01.035	996530059399	OR ORM 0090-20 SILICONE						
06	11003801	996530001926	NAT.PIN V2 FOR BOILER P119						
07	NM01.057	996530059419	OR ORM 0050-20 IN SILICONE						
08	NE05.038	996530058869	MICROSWITCH SAIA XCG5-81-P5						
09	20000900	996530009913	SPARES KIT GEARS FOR RATIOMOTOR V2						
10	9161.132	996530050569	MYLAR WASHER FOR RATIOMOTOR						
11	9121.046	996530049898	BRONZE SINTERED BUSH FOR MOTOR RATIOMOT.						
12	148380200	996530017424	BAKELIZZATE WASHER D=5,5						
13	9121.044	996530049896	ANTIVIBRATION FOR MOTOR						
14	11004086	996530002028	BLK VALVE WATER DESCARGING 90°CONN.P0049						
15	11003648	996530001805	BLK COVER WATER DESCARGING 90°CONN.P0049						
16	140325462	996530013526	OR ORM 0070-20 SILICONE						
17	11005214	996530002796	MOTOR FOR RATIOMOTOR P124 ASSY.						
18	11001331	996530000754	BLACK DUMP BOX MICROSWITCH SUPPORT P0049						
19	11003661	996530001819	REED SENSOR MK3-1A66-BV16451						
20	20006884	996530067764	KIT COUNTER PISTON+COFF.DISP.VALVE P0049						
			UP TO S/N 9008SA40436654						
			COFFEE DISPENSING VALVE V4 P0049 ASSY.						
			FROM S/N 9008SA40436655						
21	11006337	996530003482	BLACK COVER MOUNTING PLATE P0049 ASSY.						
	11009287	996530005378	BLACK COVER MOUNTING PLATE P0049 ULASSY						
22	129914002	996530013165	SCREW TCB TORX 10 3,5X16 PLAST.ZN-B						
23	11001312	996530000748	BLACK COVER FOR BOILER VAIN P0049						
	11009284	996530005375	BLACK COVER FOR BOILER VAIN P0049 UL						
24	129914102	996530013166	SCREW TSP TORX 10 3,5X12 PLAST.ZN-B						
25	11002145	996530001182	BLACK BREW UNIT 8GR/SBS P124						
			UP TO S/N.9008SA40436654						
			SEE TABLE 6						
			BLACK BREW UNIT 8GR.5BAR P0057						
			FROM S/N.9008SA40436655						
			SEE TABLE 7						
26	11022216	996530007256	BLACK MOUNTING PLATE COVER PROTECT.P0049						

UP TO S/N 9008SA40436654



SUP031OR

RI9753/47-RI9754/01-02-15-16-21-22-41-43
RI9754/47-RI9755/21-22-47-RI9757/01-03-47



Cod.10003960-2745-2689-2858-25-2744-2688-2805-06
Cod.10002808-2743-2687-3222-3082-3490-3872-
Cod.1002807-09-30-36-37-59-2962-10003059-3695

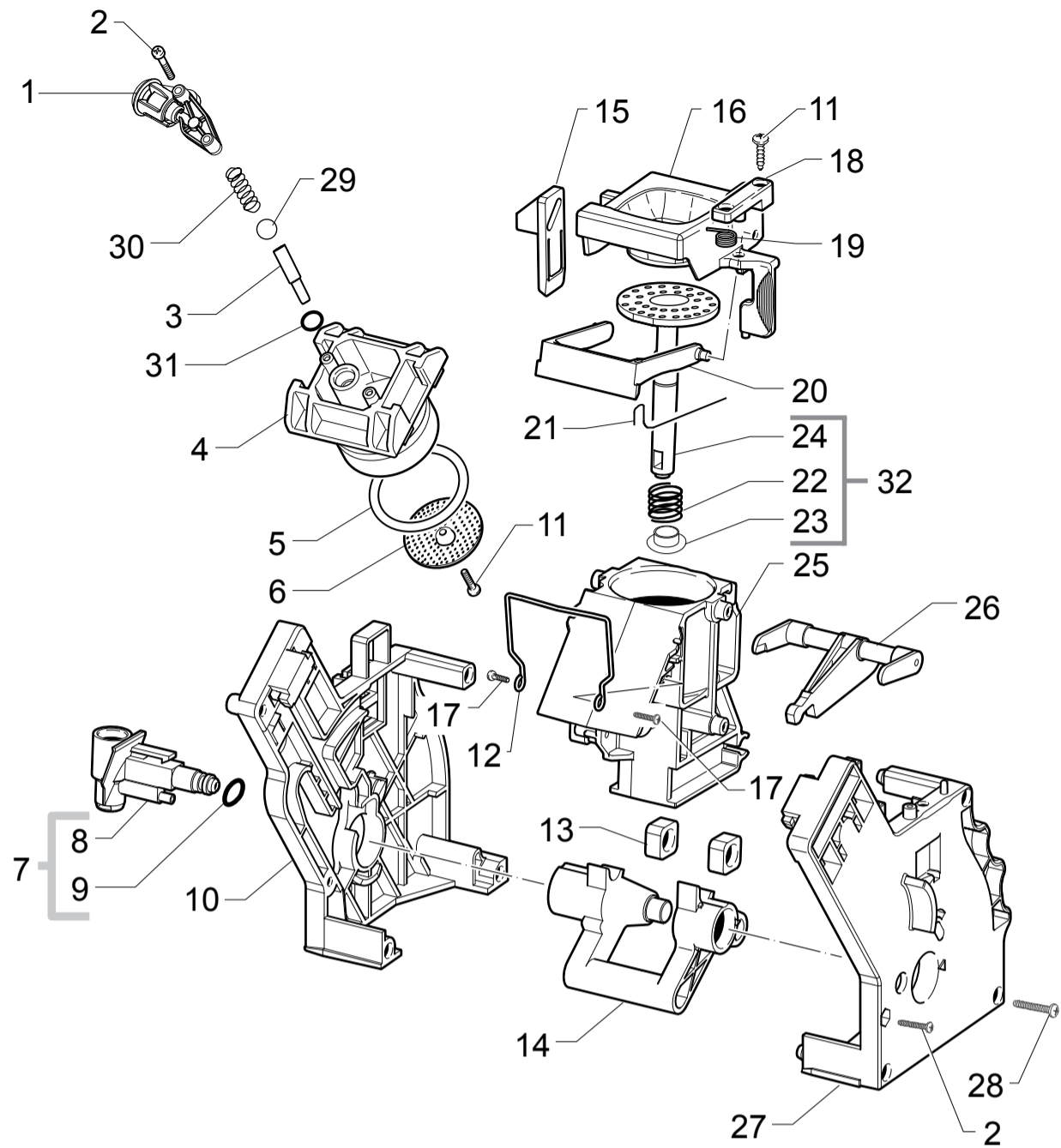
POS	CODE	12NC	DESCRIPTION	NOTE	POS	CODE	12NC	DESCRIPTION	NOTE
01	11010660	996530005823	SBS VALVE STD ASSY.						
02	12000550	996530007838	SCREW TCB TORX 10 3X25 PLAST.SS						
03	11009276	996530005372	BLK COUNTER PISTON TUBE BREW UNIT S0053						
04	11001840	996530001046	BLACK COUNTER PISTON BREW UNIT 8GR.P124						
05	NM01.044	996530059406	OR ORM 0320-40 SILICONE PTFE/FDA						
06	9161.268	996530050709	PERCOLATOR DE=35,8 ELFO						
07	20000440	996530009825	BLACK WATER INLET SLEEVE BREW UNIT ASSY.						
08	9161.064.050	996530050488	BLACK WATER INLET SLEEVE BREW UNIT ROYAL						
09	NM02.007	996530059441	OR 2025 IN TERMOIL						
10	9161.375.050	996530050832	BLACK BREW UNIT REAR PLATE SMART						
11	145899250	996530016147	BLK COFFEE CONNECTION BREW UNIT P124						
12	11001556	996530000898	SS BREW UNIT SPRING H=49 SMART						
13	9161.094.150	996530050541	GREY BREW UNIT DRILLED BLOCK						
14	9161.066.050	996530050492	BLACK BREW UNIT ELBOW SHAFT M5000						
15	9161.373.050	996530050827	BLACK BREW UNIT COUPLING PLATE SMART						
16	149261350	996530018241	BLACK HOPPER DOSER BREW UNIT SMART1						
17	12000895	996530007951	SCREW TSP TORX 10 3X10 PLAST.SS						
18	9161.374.050	996530050829	BLK BREWUNIT HOPPER BLOCKING PLATE SMART						
19	9161.378	996530050838	SS HOPPER SPRING FOR BREW UNIT SMART						
20	11004161	996530002096	BLACK SCRAPER FOR BREW UNIT M5000						
21	9161.046	996530050455	SS SCRAPER SPRING FOR BREW UNIT						
22	9161.198	996530050627	SS.8GR.BREW UNIT PISTON SPRING						
23	9161.191	996530050618	WHITE 8GR.-12GR.BREW UNIT PISTON BUSH						
24	11003077	996530001451	BLK BREW UNIT INTEGRAL PISTON 8GR.ASSY.						
25	11003075	996530001448	BLACK COFFEE CONTAINER BREW UNIT P124						
26	11003078	996530001452	BLACK CONNECTING ROD BREW UNIT 8GR.						
27	11005920	996530003228	BLACK BREW UNIT FRONT PLATE S/SCR.SMART						
28	12000897	996530007953	SCREW TCB TORX 10 3,5X20 PLAST.SS						
29	129912521	996530013148	SCREW TCBR TORX 10 3,5X14 PLAST.SS						
30	145857962	996530016004	BLACK COFFEE CONNECTOR INSERT SEAL P124						
31	11023086	996530007577	BLK 8GR.BREW UNIT NTEGR.PISTON GEN.ASSY.						
	11002145	996530001182	BLACK BREW UNIT 8GR/SBS P124						
			UP TO S/N 9008SA40436654						



ODEA GIRO V2

TABLE 6/7

FROM S/N 9008SA40436655



SUP031OR

RI9753/47-RI9754/01-02-15-16-21-22-41-43
RI9754/47-RI9755/21-22-47-RI9757/01-03-47



Cod.10003960-2745-2689-2858-25-2744-2688-2805-06
Cod.10002808-2743-2687-3222-3082-3490-3872-
Cod.1002807-09-30-36-37-59-2962-10003059-3695

POS	CODE	12NC	DESCRIPTION	NOTE	POS	CODE	12NC	DESCRIPTION	NOTE
01	11009362	996530005415	BLK COF.OUTLET SLEEVE BREW UNIT S0053 AS						
02	12000550	996530007838	SCREW TCB TORX 10 3X25 PLAST.SS						
03	11009276	996530005372	BLK COUNTER PISTON TUBE BREW UNIT S0053						
04	11001840	996530001046	BLACK COUNTER PISTON BREW UNIT 8GR.P124						
05	NM01.044	996530059406	OR ORM 0320-40 SILICONE PTFE/FDA						
06	9161.268	996530050709	PERCOLATOR DE=35,8 ELFO						
07	20000440	996530009825	BLACK WATER INLET SLEEVE BREW UNIT ASSY.						
08	9161.064.050	996530050488	BLACK WATER INLET SLEEVE BREW UNIT ROYAL						
09	NM02.007	996530059441	OR 2025 IN TERMOIL						
10	9161.375.050	996530050832	BLACK BREW UNIT REAR PLATE SMART						
11	12000895	996530007951	SCREW TSP TORX 10 3X10 PLAST.SS						
12	11001556	996530000898	SS BREW UNIT SPRING H=49 SMART						
13	9161.094.050	996530050539	BLACK BREW UNIT DRILLED BLOCK						
14	9161.066.050	996530050492	BLACK BREW UNIT ELBOW SHAFT M5000						
15	9161.373.050	996530050827	BLACK BREW UNIT COUPLING PLATE SMART						
16	149261350	996530018241	BLACK HOPPER DOSER BREW UNIT SMART1						
17	129912521	996530013148	SCREW TCB TORX 10 3,5X14 PLAST.SS						
18	9161.374.050	996530050829	BLK BREWUNIT HOPPER BLOCKING PLATE SMART						
19	9161.378	996530050838	SS HOPPER SPRING FOR BREW UNIT SMART						
20	11004161	996530002096	BLACK SCRAPER FOR BREW UNIT M5000						
21	9161.046	996530050455	SS SCRAPER SPRING FOR BREW UNIT						
22	9161.198	996530050627	SS.8GR.BREW UNIT PISTON SPRING						
23	9161.191	996530050618	WHITE 8GR.-12GR.BREW UNIT PISTON BUSH						
24	11003077	996530001451	BLK BREW UNIT INTEGRAL PISTON 8GR.ASSY.						
25	11003075	996530001448	BLACK COFFEE CONTAINER BREW UNIT P124						
26	11003078	996530001452	BLACK CONNECTING ROD BREW UNIT 8GR.						
27	11005920	996530003228	BLACK BREW UNIT FRONT PLATE S/SCR.SMART						
28	12000897	996530007953	SCREW TCB TORX 10 3,5X20 PLAST.SS						
29	9991.168	996530051874	GLASS SPHERE D.5 MM						
30	11012095	996530006305	SS COFFEE UNIT CONTERPISTON SPRING S0053						
31	140328761	996530013575	OR ORM 0060-15 TERMOIL						
32	11023086	996530007577	BLK 8GR.BREW UNIT NTEGR.PISTON GEN.ASSY.						
	11012382	996530006384	BLACK BREW UNIT 8GR.5BAR P0057 FROM S/N 9008SA40436655						



ODEA GIRO V2

TABLE 7/7