

Saeco
INTERNATIONAL GROUP

SIN 017 LN



Cod. 71 15 43

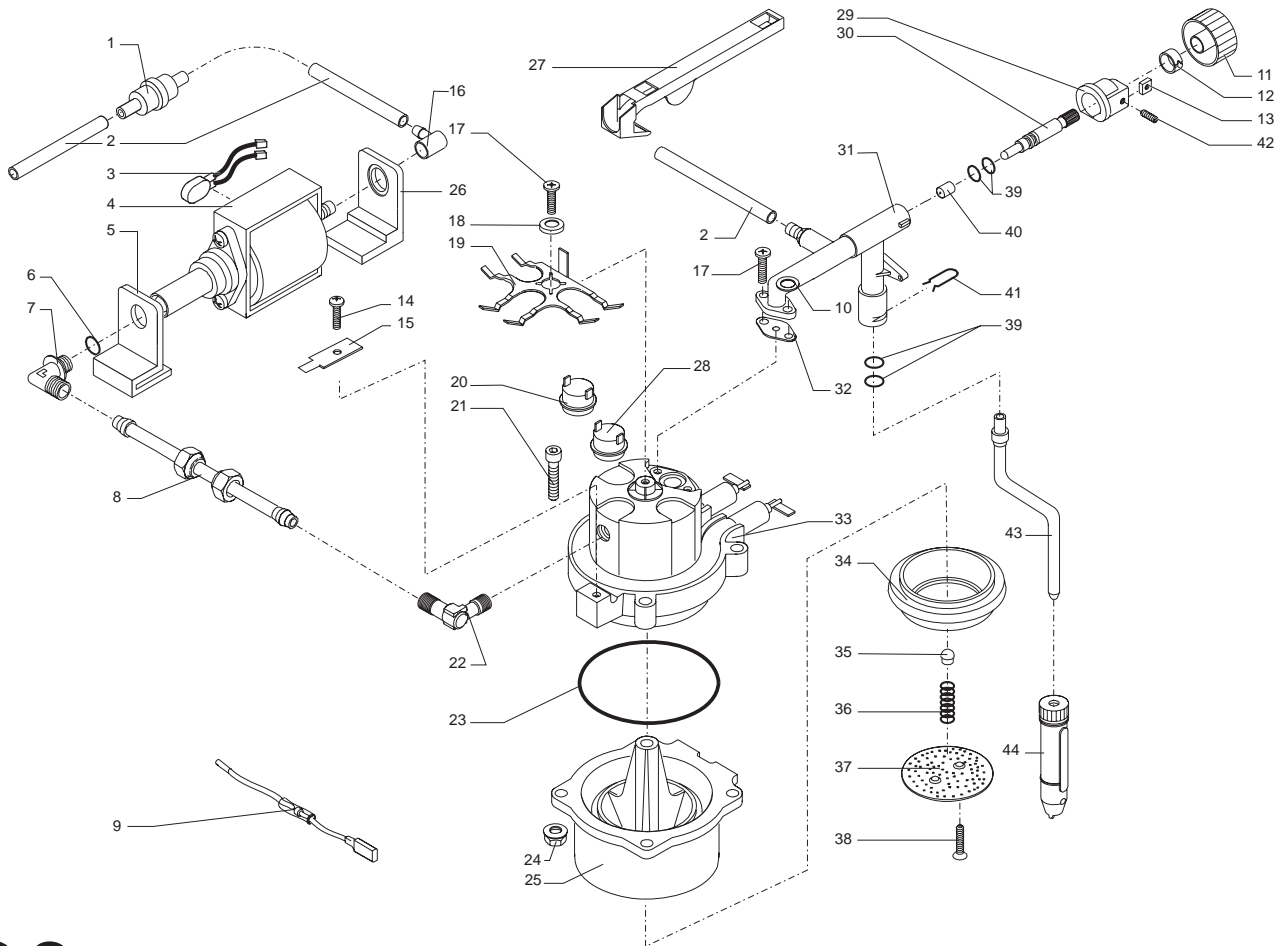
POS	CODICE	DESCRIZIONE	NOTE	POS	CODE	DESCRIPTION	NOTE
01	226551650	PORTAFILTRO PRESS. MECC AL. NERO OP/LUC. VEDI COD. ESPLOSO E90005 ULTIMA PAGINA		01	226551650	ACC SAE PORTAFILTER CREMA BLK SEE COD. EXPL. E90005 LAST PAGE	
02	183502000	CAVO ALIMENTAZ.SCHUKO NERO L=1600MM		02	183502000	POWER CABLE SCHUKO BLACK L=1600MM	
	183501000	CAVO ALIMENTAZ.CH NERO L=1600MM			183501000	POWER CABLE CH BLACK L=1600MM	
	183504000	CAVO ALIMEN.AUSTRALIA NERO L=1600MM			183504000	P.CABLE AUSTRALIA BLACK L=1600MM	
03	129512904	VITE TCB 2,9X12,7 DIN 7981 BRU		03	129512904	SCREW TCB 2,9X12,7 DIN 7981 BURN	
04	146680659	MISURINO CON FORO GRIGIO		04	146680659	GREY MEASURE WITH HOLE	
05	145020500	GANCIO X SUPPORTO TUBO ASPIRAZ.ACQUA		05	145020500	HOOK WATER ASPIRATION TUBE SUPPORT	
06	165896800	LIBR.ISTRUZ.SAECO TYP SIN017LN/REDESIGN		06	165896800	INSTRUCRIONS MANUAL TYP SIN017LN	
07	147754159	PROTEZ.CONTEN.ACQ.MAGIC ESP/COMBI GRIG.		07	147754159	GREY WATER CONT.PROTECT.MAGIC ESP/COMBI	
08	143591259	DISTANZ.PROTEZ.CONTEN.ACQUA MAGIC ALTE		08	143591259	WATER CONTAINER PROTECT.SPACER MAGIC	
09	177762100	PROTEZ.SUP.POLIST.SCATOLA MAGIC SINGOLA		09	177762100	UPP.POLYSTYR.PROTECT.MAGIC ESPR.BOX	
10	177762200	PROTEZ.INF.POLIST.SCATOLA MAGIC SINGOLA		10	177762200	LO. POLYST.PROTECT. BOX MAGIC ESPR	
11	178516000	SCATOLA LITOG.SAECO MAGIC ESPR.REDE		11	178516000	RESTYLING DISPLAY BOX SAECO MAGIC	
12	222359150	CARCAS.MAGIC ESPRES.ALTA VER.NER/9005		12	222359150	BLACK/9005 CASING MAGIC ESPRESSO HIGH	
	222359141	CARCAS.MAGIC ESPRES.ALTA VER.ARGENTO			222359141	SILVER CASING MAGIC ESPRESSO HIGH	
13	147623150	PIEDINO ADESIVO QUADRO 5023 NERO		13	147623150	BLACK SQUARE ADHESIVE FOOT 5023	
14	182510700	CONDENSAT.ANTIDISTURBO R.46 0,1MF 275VAC		14	182510700	ANTIDIST.CONDENSER R.46 0,1MF 275VAC	
15	186801400	MORSETT.3VIE PA 27/3 + SIMBOLI 00101123		15	186801400	3 WAY JUNCT.BLOCK PA 27/3 + SYMBOLS	
16	129670202	VITE PANELVIT TCB 3,5X16 TESTA D=8 ZNP		16	129670202	TCB PANELVIT SCREW 3,5X16 TESTA D=8 ZNP	
17	148600600	FERMACAVO X MAGIC ESPR/COMBI NERO		17	148600600	CABLE CLAMP V0 MAGIC ESP COMBI UL	
18	129511903	VITE TCB 2,9X6,4 DIN 7981 BZ NIK		18	129511903	SCREW TCB 2,9X6,4 DIN 7981 BZ NICK	
19	11006366	SUPP.POMPA MAGIC ESPRES/COMBI GW NERO		19	11006366	BLACK PUMP SUPPORT MAGIC ESPRESSO/COMBI	
20	175892500	INSERTO X ACCESSORI ESPR.PLUS IN CARTONE		20	175892500	CARDBOARD INSERT ACCESSORIES ESPR.PLUS	
21	188543358	SEGNALAT.LUMINOSO VERDE 2182W000A7	230V	21	188543358	GREEN LUMIN.INDIC.2182W000A7	230V
22	127534201	PIASTRA SUPP.POMPA/CALD.MAGIC ESPR.ACC.		22	127534201	STEEL PUMP/BOILER SUPP.PLATE MAGIC ESPR.	
23	222680380	CONT.ACQUA MAGIC E/C GRITRAS.SER.MAX BIA		23	222680380	TRAS/GREY WATER CONT.MAGIC E/C WHITE MAX	
24	145741901	GRIGLIA MAGIC ESPRESSO GRIGIA		24	145741901	GREY GRATE FOR MAGIC ESPRESSO	
25	229140908	TASTO MAGIC ESPRES/REDESIGN CROMATO		25	229140908	CHROMIUM PLATED BUTTON MAGIC ESPR/RED.	
26	149645350	VASCA REC.ACQ.C/F.MAGIC ESPR.ALTA NERLUC		26	149645350	BLACK DRIP TRAY MAGIC ESPRESSO	
	229630441	VASCA REC.ACQ.C/F.MAGIC ESPR.ALTA VE.ARG			229630441	SILVER DRIP TRAY MAGIC ESPRESSO	
27	222813641	COPERT.SUP.CHIUSA/RD.ARG.SER.MAGIC ESPR		27	222813641	SILVER UPPER COVER S/SCR.MAGIC ESPRESSO	
	222813650	COPERT.SUP.CHIUSA/RD.NLU.SER.MAGIC ESPR			222813650	BLACK UPPER COVER S/SCR.MAGIC ESPRESSO	
28	144883750	FRONTALINO MAGIC ESPR/REDES.NEROLUCIDO		28	144883750	BLACK FRONT PANEL MAGIC ESPRESSO	
	224872141	FRONTALINO MAGIC ESPR/REDES.VER.ARGENT			224872141	SILVER FRONT PANEL MAGIC ESPRESSO	
29	186053658	INTER.BIPOL.MOLVENO/SIGNALLUX		29	186053658	BIPOLAR SWITCH MOLVENO/SIGNALLUX	
30	186076858	INTER.UNIPOL.MOLVENO/SIGNALLUX		30	186076858	UNIPOLAR SWITCH MOLVENO/SIGNALLUX	
31	149202600	SUPPORTO X TRE TASTI MAGIC ESPR/REDES.		31	149202600	SUPPORT FOR BUTTONS MAGIC ESPRESSO	

Saeco
INTERNATIONAL GROUP

MAGIC ESPRESSO RDS

Rev. 01 - 09/12/08

TAVOLA 1/2



Saeco
INTERNATIONAL GROUP

SIN 017 LN



Cod. 71 15 43

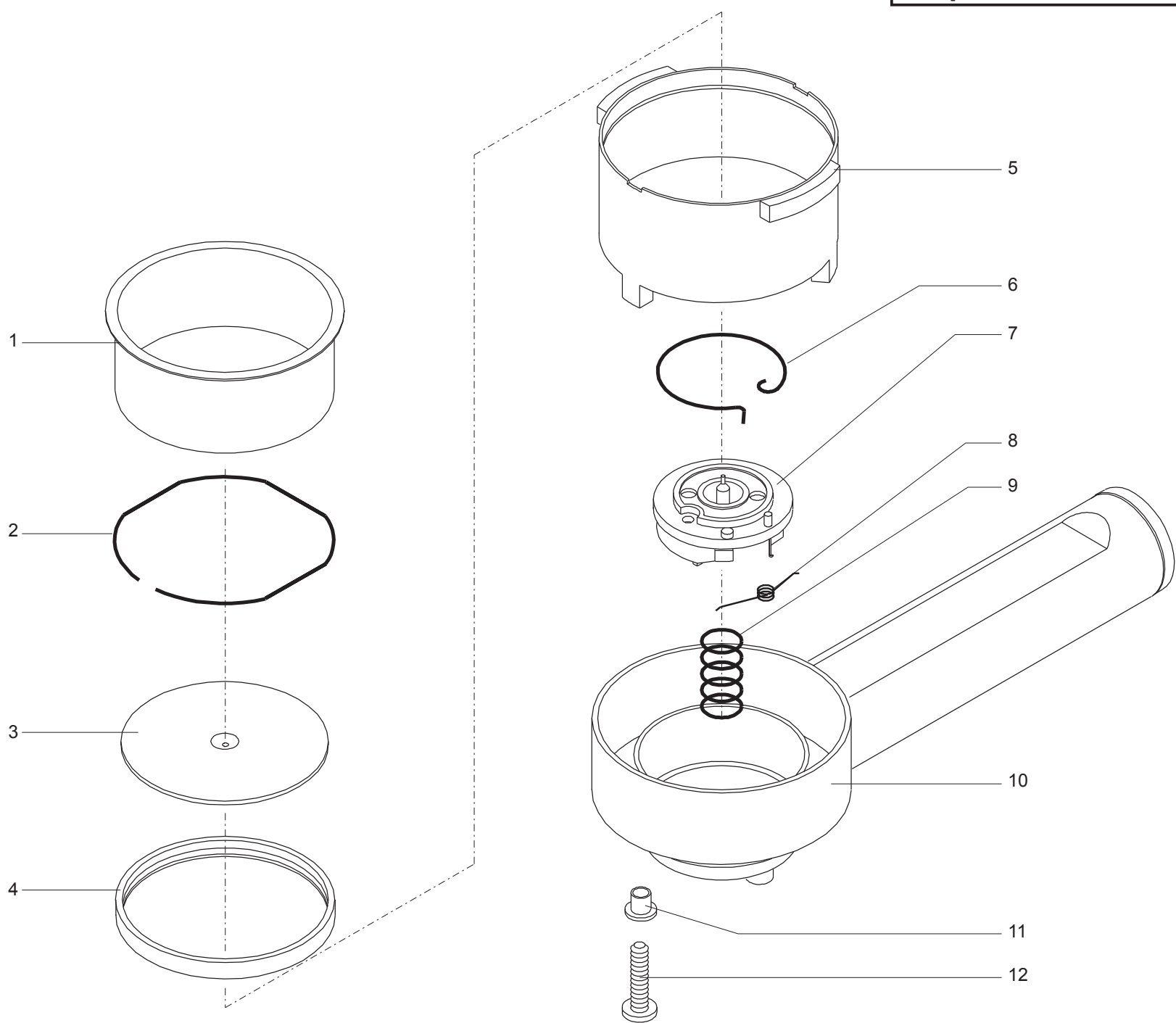
POS	CODICE	DESCRIZIONE	NOTE	POS	CODICE	DESCRIZIONE	NOTE
01	144650300	FILTRO IN ASPIRAZ.RETE 500 (NUOVO)		01	144650300	SUCTION FILTER GAUZE NET 500 (NEW)	
02	149360200	TUBO SILICONE 5X8 70SR IN MATASSA		02	149360200	SILICONE TUBE 5X8 70SR IN ROLL	
03	289204258	AS.TERMPROT.TERMICO 120°C CAV.112/360		03	289204258	THERMAL PROTECTOR 120°C CABLES 112/360	
04	12000140	POMPA ULKA EP5/S GW	230V-50HZ	04	12000140	ULKA PUMP EP5/S GW	230V-50HZ
05	149194050	SUPPORTO SX.POMPA MAGIC COMBI VAPIS		05	149194050	LEFT SUPPORT MAGIC COMBI VAPIS PUM	
06	140321961	OR 2031 IN TERMOIL		06	140321961	OR 2031 IN TERMOIL	
07	11001480	RAC.90°1/8"GAS CIL.15,8X17MM ULKA OT/TEA		07	11001480	TEA/B.CONN.90°1/8"GAS CYL.15,8X17MM ULKA	
08	227870600	AS.RACCORDO TEFLON 4X6 L=70 MM		08	227870600	CONNECTOR AS. TEFLON 4X6 L=70 MM	
09	183431962	CAV.1FILO SILIC.BLU C/TERMOFUS.184°		09	183431962	CABLE 1WIRE SILICONE BLUE TH/FUSE 184°	
10	128310404	ROSETTA UNI 8842 A4 BRUNITA		10	128310404	WASHER UNI 8842 A4 BURNISHED	
11	147711550	POMELLO NERO X ASTA RUBINETTO IDEA		11	147711550	KNOB FOR FAUCET SHAFT BLACK IDEA	
12	120460204	ATTACCO RAPIDO D=10,6 H=5 SP=1		12	120460204	RAPID CONNECTOR D=10,6 H=5 SP=1	
13	123451900	DADO QUADRO M4 CH=8 H=2,5 ZNP		13	123451900	SQUARE NUT M4 CH=8 H=2,5 ZNP	
14	129573202	VITE TCB M4X8 AUTOFORMANTE ZN-B		14	129573202	SCREW TCB TORX 20 M4X8 AUTOFORMING ZN-B	
15	126839102	MOL.FERM.2TERMOF.1ALET.S/TER.L=18,5		15	126839102	2THERMOST.RETAIN.SPRING 1TONG.N/EAR	
16	147920150	RACC.INGRESSO POMPA A 90°		16	147920150	90° INLET CONNECTOR PUMP	
17	129583102	VITE TCB M4X12 AUTOFORMANTE ZN-B		17	129583102	SCREW TCB M4X12 AUTOFORMING ZN-B	
18	128171020	ROSET.OT.DE=16 FERMA MOL.TERMOSTATI		18	128171020	BR. WASHER DE=16 SPRING HOLD THER	
19	126834921	MOLLA FERMA TERMOST.CALD.ALL.JUNIOR		19	126834921	ALU .BOIL.THER. FIXING SPRING JUNI	
20	189425100	TERMOSTATO 127° 1NT-01L-0499		20	189425100	THERMOSTAT 127° 1NT-01L-0499	
21	U023.022	VITE TCEI M6,0X30 UNI 5931 8.8 ZNP		21	U023.022	screw TCEI M6,0X30 UNI 5931	
22	11001477	RACC.90° 1/8"GAS CIL-CON.20X17MM OT/TEA		22	11001477	TEA/BRASS CONNEX.1/8"GAS CIL-CON 20X17MM	
23	140325962	OR 3212 IN SILICONE		23	140325962	OR 3212 IN SILICONE	
24	123270102	DADO M6 FLANGIATO BASE DENTELLAT.ZN		24	123270102	NUT M6 FLANGED TOOTHED BASE GALV	
25	222920306	AS.CORP.INF.CALD.AL/BRILLUC.JUNIOR		25	222920306	LO. BOIL.CASING AS. AL/POL./GLO. J	
26	149193950	SUPPORTO DX.POMPA MAGIC COMBI VAPIS		26	149193950	RIGHT SUPPORT MAGIC COMBI VAPIS PU	
27	149189659	SUPPORTO TUBO ASPIR.MAGIC ESP/COMBI GRI.		27	149189659	GREY SUCT.TUBE SUPPORT MAGIC ESP/COMBI	
28	189422000	TERMOSTATO 95° 1NT-01L-0036		28	189422000	THERMOSTAT 95° 1NT-01L-0036	
29	142201800	CAMMA X ASTA RUBINETTO CALDAIA ALL.		29	142201800	CAM FOR FAUCET SHAFT ALU BOIL.	
30	11001486	ASTA RUB.L=60,5 MAGIC ESPCALD.AL.OT/TEA		30	11001486	TEA/BRASS FAUCET SHAFT L=60,5 MAGIC ESPR	
31	228456600	AS.RUB.MAGIC CALD.AL.SVAPIS.C/VALV		31	228456600	FAUC. AS.MAG. AL. BOIL.W/O VAPIS W/	
32	145845362	GUARNIZ.SIL.D=4 RUB.CALD.ALL.JUNIOR		32	145845362	ALU. BOIL.FAUCET SEAL .SIL. JUNIOR	
33	282901658	AS.CORPO SUP.CALD.AL.JUNIOR 230V		33	282901658	ALU.UPPER CASING BOILER 230V JUNIOR ASSY	
34	145845462	GUARN.PORTA.FILT.CALD.ALL.JUNIOR SIL.		34	145845462	ALU.BOILER FILTERHOLDER SIL.SEAL JUNIOR	
35	149450588	VALVOLA TENUTA CALDAIA IN SILICONE 65SH		35	149450588	65SH SILICONE BOILER SEALING VALVE	
36	126770818	MOLLA X VALVOLA TENUTA CALDAIA ALL.		36	126770818	SPRING FOR ALU. BOILER SEALING VAL	
37	123741722	DOCCIA ALLUM. X CALDAIA ALLUM.JUNIOR		37	123741722	PERC. ALU. FOR ALU BOIL. JUNIOR	
38	129580721	VITE TSP M3X8 AUTOFORMANTE INOX		38	129580721	SCREW TSP TORX 10 M3X8 AUTOFORMING SS	
39	140321861	OR 2025 IN EPDM		39	140321861	OR 2025 IN EPDM	
40	141910764	BUSSOLA DE=7,15 DI=2,5 L=7 V125		40	141910764	V125 BUSH DE=7,15 DI=2,5 L=7	
41	9161.135	MOLLA X RUBINETTO VAPORE		41	9161.135	SPRING FOR STEAM FAUCET	
42	125580104	VITE STEI M4X8 UNI 5929 BRUNITA		42	125580104	STEI SCREW M4X8 UNI 5929 BURNISHED	
43	229380708	AS.TUBO VAPMAGIC C/SPRUZ.SEB OT/CROM		43	229380708	CHROMED STEAM TUBE NOZZLE SEB MAGIC AS.	
44	147430150	AS.PANNARELLO PLASTICA NERO		44	147430150	PANNARELLO AS. BLACK PLASTIC	

Saeco
INTERNATIONAL GROUP

MAGIC ESPRESSO RDS

Rev. 02 - 09/12/08

TAVOLA 2/2



Saeco® PORTAFILTRO PRESSURIZZATO MECCANICO (E)

Cod. 226551250-263-650
Cod. 226551663-850-863

POS	CODICE	DESCRIZIONE	NOTE	POS	CODE	DESCRIPTION	NOTE
01	124650221	FILTRO 2TAZ.54,5X25 S/TAC.FORI D=48		01	124650221	2CUP FILT.54,5X25 W/O.NOT.HOLE D=48	
02	126835918	MOLLA FERMAFILTRO SOTTOCOPP.PIANETA		02	126835918	FILTER LOCK. SPRING FILTERH. PIANE	
	126836818	MOLLA FERMAFILTR.SOTTOCOPP.STARBUCKS			126836818	FILTERH. SPRING STARBUCKS	
		X C.A. PRODOTTE DAL 01/05/1999				FOR C.A. PRODUCED FROM 01/05/1999	
03	142862959	CONVOGLIAT.FORO 1,6 PORTAFILTRO PRES/MEC		03	142862959	CONVEYOR HOLE 1,6 PRESS.FILTERHOLD.	
04	145847762	GUARNIZ.X CONVOGL.PORTAFIL.PRES/MEC		04	145847762	PRESS. FILTERHOLD CONVEYOR SEAL	
05	228771128	SOTCOP.PRES/MECC.ALET.STRET.AL.BRIL		05	228771128	PR.FILTERH. NARROW TONG. POL. ALU	
	17000097	SOTCOP.PRES/MECC.V2 AL.BRIL.			17000097	ALUM/POL.V2 PRES/MECC.FILTERHOLDER	
	11023167	SOTTOCOP.PRES/MEC.STARB.OT/CROM.NSF			11023167	NSF/CHROM.PRESS.FILTERHOLD.STARB.	
06	126835818	MOLLA X MANICO PORTAFIL.PRESSUR/MEC		06	126835818	SPRING FILTERHOLD. HAND. PRESS.	
07	229181800	AS.SUPPORTO SPILLO PORTAF.PRESS/MEC		07	229181800	PRESS. FILTERH. PIN SUPPORT	
08	126768418	MOLLA X CAMMA PORTAFILT.PRESSUR/MEC		08	126768418	CAM SPRING FILT.HOLD PRESS.	
09	126769918	MOLLA X SPIL.PORTAFIL.PRES/MEC.L=13		09	126769918	SPRING FILTH .NE.VAL.MEC.TAKEOFFL=	
10	146552650	MANICO NER.OP/LUC.PRES/MEC.SEN/SOTC		10	146552650	HAND.BLA. OP/GLO PRESS. W/O FILTER	
	146552663	MANICO GRI.OP/LUC.PRES/MEC.SEN/SOTC			146552663	HAND.GREY OP/GLO.PRESS. W/O FILTER	
11	11022223	DISTANZ.PORTAFILTR.PRES/MEC.OT/TEA		11	11022223	TEA/BRASS SPACER FOR PRESS.FILTERHOLDER	
12	129730721	VITE TCB PZ/SW 4X12 UNI 8112 INOX		12	129730721	TCB SCREW PZ/SW 4X12 UNI 8112 SS	
	226551250	PORTAFILT.PRESS.MECC.ALET.STRET.NER			226551250	PRESS. FILTERH.NARROW TONGUE BLA.	
	226551263	PORTAFILT.PRESS.MECC.ALET.STRET.GRI			226551263	PRESS. FILTERH.NARROW TONGUE GREY	
	226551650	PORTAFILT.PRESS.MECC.AL.NERO OP/LUC			226551650	PRESS. FILTERH. ALU BLACK OP/POLIS	
	226551663	PORTAFILT.PRESS.MECC.AL.GRIG.OP/LUC			226551663	PRESS. FILTERH. ALU.GREY OP/POLISH	
	226551850	PORTAFILT.PRESS.MECC.OT.NERO OP/LUC			226551850	PRESS. FILTERH. BRASS BLACK OP/POL	
	226551863	PORTAFILT.PRESS.MECC.OT.GRIG.OP/LUC			226551863	PRESS. FILTERH. BRASS GREY OP/POLI	