

Service
Service
Service

HD8323
HD8325
HD8327



Exploded View

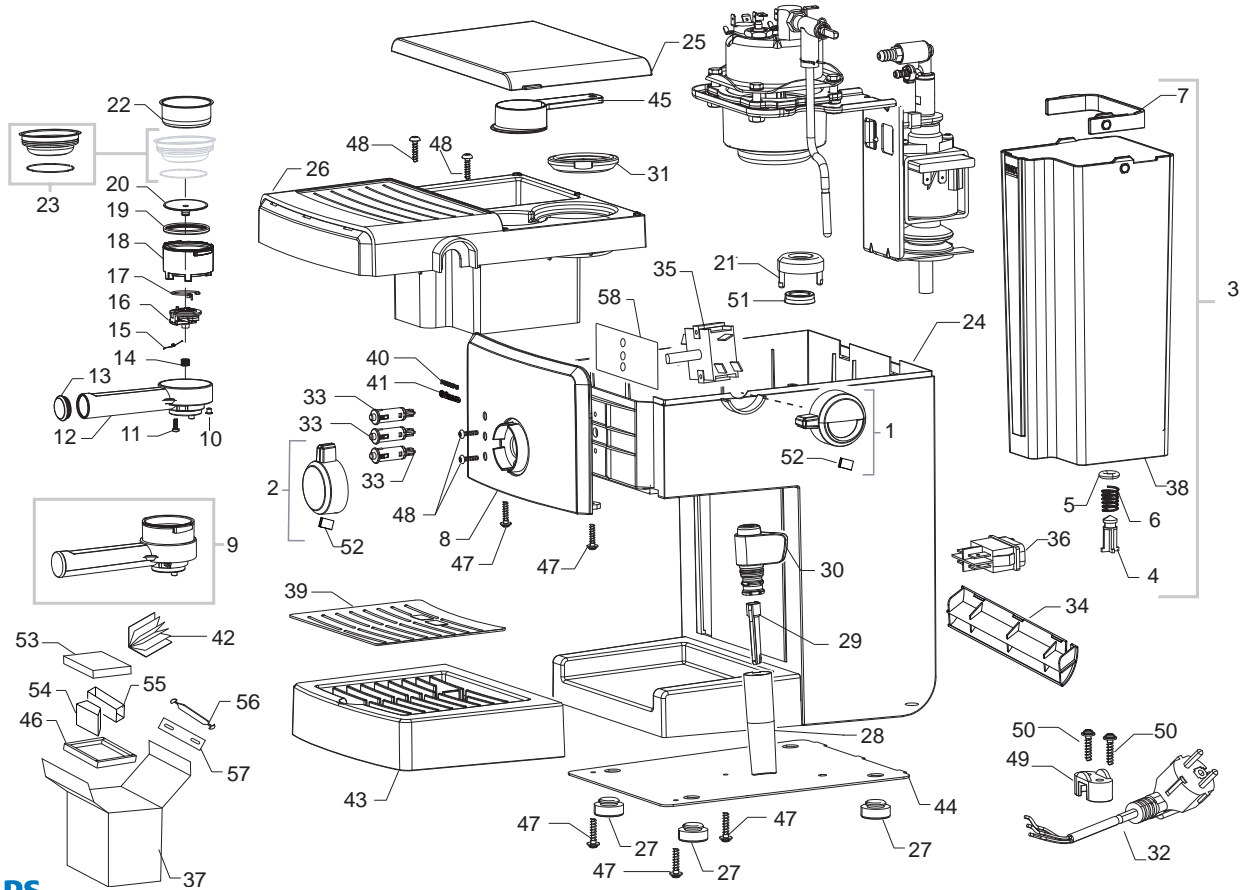
Contents

Table

External / Front panel /
Water system

1/2
2/2

All rights reserved. No part of this publication may be reproduced, stored in a retrieval system or transmitted, in any form or by any means, electronic, mechanical, photocopying, or otherwise without the prior permission of Saeco.



PHILIPS

Saeco

HD8323/01-02-05-07-08-09-41-42-43

HD8325/01-03-05-07-08-09-42

HD8327/01-02-03-08-09-41-43-47

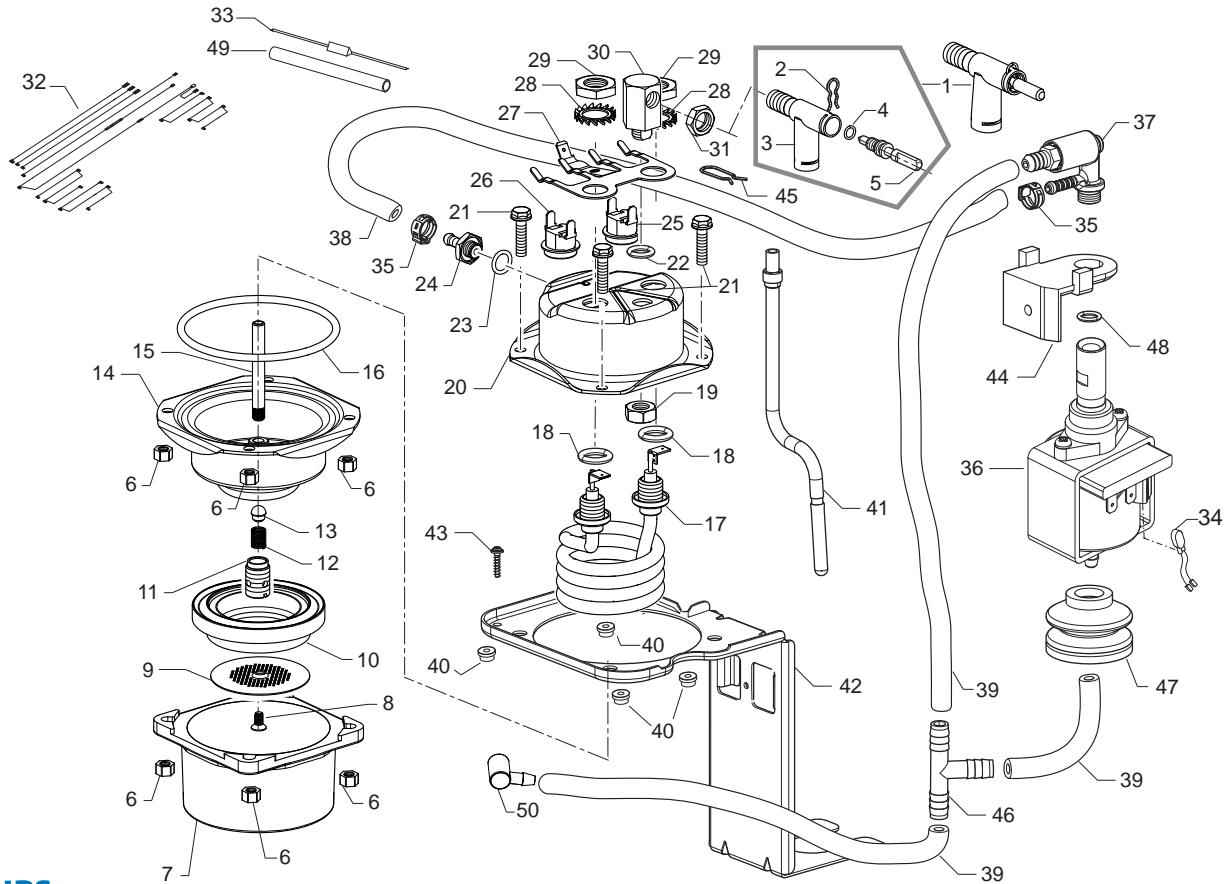
Cod. 10003615-3616-3617-3618 -3619-3630-3813-3815

Cod. 10003902-3903-3904-3905-3906-3907-3997-4013

Cod. 10004014-4047-4110-4111-4120-4121-4122-4123

POS	CODE	DESCRIPTION	NOTE
01	11026897	CHROM.WATER-STEAM KNOB S/SCR.ABC ASSY.	
02	11026901	CHROM.CONTROL KNOB ABC ASSY.	
03	11024799	TRANSP.WATER CONTAINER S/SCR.ABC ASSY.	
04	147660562	GREY WATER VALVE CONTAINER PISTON	
05	140324362	OR METRIC 0060-30 IN SILICONE	
06	126764718	SS WATER CONTAINER VALVE SPRING	
07	11024822	BLACK HANDLE WATER CONTAINER ABC	
08	11026909	CHROM/BLACK FRONT PANELS S/SCR.ABC ASSY.	FOCUS
	11025458	CHROM/SS FRONT PANEL S/SCR.ABC/M-T ASSY.	TOP
09	11026924	BLACK ALUM. PRES.FILTERHOLDER ABC ASSY.	
10	123591309	BRASS SPACER FOR PRESS.FILTERHOLDER	
11	129730721	TCB SCREW PZ/SW 4X12 UNI 8112 SS	
12	11025501	BLK PRESS.FILTERHOLDER HANDLE ABC	
13	11025502	CHROM.FILTERHOLDER HANDLE CAP ABC	
14	126769918	SPRING FILTH .NE.VAL.MEC.TAKEOFF L=13	
15	126768418	SS.SPRING FOR CAM PRESS.FILTERHOLDER	
16	229181800	GREY PRESS.FILTERHOLDER PIN SUPPORT ASSY	
17	126835818	SS.SPRING FILTERHOLD.HAND.PRES/MEC.	
18	228771628	POLISH/ALUM.PRES.FILTERH.W.TONG.W/GROOVE	
19	145847762	PRESS.FILTERHOLDER CONVEYOR SEAL	
20	142862959	CONVEYOR HOLE 1,7 PRESS.FILTERHOLDER	
21	0701.031.150	GREY GACO DIM 14 SEAL COVER	
22	124650221	2CUP FILTER 54,5X25 W/O.NOT.HOLE D=48	
23	20007036	SPARES KIT POD FILTER + SPRING ABC	
24	11024797	BLACK CASING ABC	FOCUS-CLASS
	11027798	SS/SILVER CASING ABC/T ASSY.	TOP
25	11024798	BLACK WATER CONTAINER LID ABC/B-M	FOCUS-CLASS
	11027797	SS/SILVER WATER CONTAINER LID ABC/T ASSY	TOP
26	11024829	BLACK CASING COVER ABC	FOCUS
	11027796	SS/SILVER CASING COVER ABC/T ASSY.	TOP
	11029357	AS.COP.CARC.ABC/M NER/INOX	CLASS
27	11024824	BLACK FOOT ABC	
	147623150	BLACK SQUARE ADHESIVE FOOT 5023	ONLY USA
28	11001769	BLACK PANNARELLO COVER P0049	FOCUS
	11001621	SS PANNARELLO COVER P0049	CLASS-TOP
29	11001620	BLACK PANNARELLO INNER TUBE P0049	
30	11007194	BLACK STEAM TUBE HANDGRIP G0053	
31	11025662	SS BOIL.PRES.FILTERHOLD.SEAL H=11,3 60SH	
32	17800167	BLACK POWER CABLE SCHUKO L=1550	
	17800168	BLACK POWER CABLE 3X075 CHINA L=1550	
	17800421	BLACK POWER CABLE UK L=1550	
	17800423	BLACK POW.CABLE KOREA L=1550	
	17800419	CAVO AL.CH 3X0,75 H05VV-F NER.L=1550	
	17800381	BLACK POWER CABLE ARGENTINA L=1550	
	17800454	BLACK POWER CABLE AUSTRALIA L=1550	
	17800390	BLACK POWER CABLE USA SJT 3X18AWG L=1550	
	17800466	BLACK POW.CABLE BRA.L=1550	

POS	CODE	DESCRIPTION	NOTE
33	11026889	GREEN NEON LAMP ABC	
	11029642	GREEN NEON LAMP ABC UL	
34	11028459	BLACK REAR LOWER CASING COVER ABC	FOCUS-CLASS
	11029465	SILVER REAR LOWER CASING COVER ABC	TOP
35	12000824	ROTARY SWITCH AYA-2213 FOR P234	230V
	17800508	ROTARY SWITCH AYA-2215 FOR P234	120V
36	NE03.038	BIPOLAR SWITCH FUSIT C1250AR	
37	13001366	DISPLAY BOX ABC/M PSA POEMIA	CLASS WE
	13001367	DISPLAY BOX ABC/B PSA POEMIA	FOCUS WE
	13001431	DISPLAY BOX ABC/B PSA POEMIA	CLASS CEE
	13001432	DISPLAY BOX ABC/M PSA POEMIA	CLASS WE
	13001453	DISPLAY BOX ABC/T PSA POEMIA	TOP CEE
	13001452	DISPLAY BOX ABC/T PSA POEMIA	TOP WE
	13001375	DISPLAY BOX ABC/T PSA POEMIA	TOP USA
38	11025493	SS CUP WARMING LID ABC/M	CLASS
39	11024828	SS GRATE FOR DRIP TRAY ABC/M	CLASS
40	11024301	ADHES.SILVER PLATE LOGO PHILIPS	CLASS
41	11011406	ADHES.SILVER PLATE LOGO SAECO P0057	CLASS
42	15002848	MANUAL PSA HD8323/HD8325 12LANG.VE	
	15002849	MANUAL PSA HD8323/HD8325 12LANG.CEE	
	15003068	MANUAL PSA HD8323/HD8325 GB/CHN/KOR	
	15003069	MANUAL PSA HD8323/HD8325 GB/DE/FR/ES/SA	
	15003183	MANUAL PSA HD8323/HD8325 PT/BRA	
43	11024827	BLACK DRIP TRAY ABC	FOCUS-CLASS
	11027795	SS/SILVER DRIP TRAY ABC/T ASSY.	TOP
44	11024823	STEEL CASING BOTTOM ABC	
	11029641	STEEL CASING BOTTOM ABC UL	ONLY USA
45	11025503	BLACK GROUND COFFEE MEASURE ABC	
46	13001377	CARTON LOWER INSERT BOX ABC	
47	129912504	SCREW TCBR TORX 10 3,5X14 PLAST.ZN-N	
48	129913902	SCREW TCB TORX 10 3X12 PLAST.ZN-B	
49	148600600	BLACK CABLE CLAMP MAGIC ESPR/COMBI	
50	12000450	SCREW TCBR TORX 10 3,5X12 PLAST.ZN-N	
51	145842900	WATER CONTAIN.VALVE GACO DIM 14 SEAL	
52	11029342	STEEL SPRING FOR CONTROL KNOB ABC	
53	13001520	CARTON UPPER INSERT BOX ABC	
54	13001497	CARTON CENTRAL INSERT BOX ABC	
55	13001496	CARTON FILTERHOLDER PROTECTINSERT ABC	
56	13001514	TRANSPHANDLE FOR DISPLAY BOX ABC	
57	13001515	DISPLAY BOX HANDLE REINFORCEMENT ABC	
58	11029644	NOMEX PROTECTION FOR ROTARY SWITCH ABC	



PHILIPS

Saeco

HD8323/01-02-05-07-08-09-41-42-43

HD8325/01-03-05-07-08-09-42

HD8327/01-02-03-08-09-41-43-47

Cod. 10003615-3616-3617-3618 -3619-3630-3813-3815



Cod. 10003902-3903-3904-3905-3906-3907-3997-4013

Cod. 10004014-4047-4110-4111-4120-4121-4122-4123

POS	CODE	DESCRIPTION	NOTE	POS	CODE	DESCRIPTION	NOTE
01	17000512	L-F/BRASS V2 STEAM FAUCET ABC ASSY.		44	149205850	BLACK PUMP SUPPORT TYPE ULKA	
02	9011.144	SS FORK FOR TUBE D.4		45	126764018	SPRING D=1STEAM TUBE HOLDER JUNIOR	
03	11025139	L-F/BRASS STEAM FAUCET FOR SS BOILER ABC		46	11007493	T CONNECTOR FOR BOILER P604	
04	WGADM0041/031	OR 2018 IN VITON 705H		47	GG0085	BLACK ULKA PUMP SUPPORT	
05	11024775	L-F/BRASS FAUCET SHAFT SS.BOILER NEWGEN		48	140321961	OR 2031 IN TERMOIL	
06	123160502	NUT M5 HIGH UNI 5587-68 GALVANIZED		49	229405400	TEFLON TUBE 4,2X0,38 L=100 MM	
07	17000384	POLISHED FILTERHOLD.LOCKING RING ABC ASSY		50	147920150	90° INLET PUMP CONNECTOR	
08	129854021	TSP SCREW M4X8 UNI 7688 SS					
09	123741421	PERCOLATOR DE =48,8 SS BOILER JACOBS					
10	145841500	FILTERHOLD SEAL					
11	11023968	SS VALVE HOLD SCREW SS BOILER					
12	EF0013	SS SPRING 5-7 BAR FOR BOILER VALVE					
13	149450588	65SH SILICONE BOILER SEALING VALVE					
14	17000436	SS.LOWER BOILER CASING+SS HUB					
15	11023931	SS INTERNAL TUBE FOR SS BOILER					
16	140322962	OR 176 IN SILICONE					
17	11024000	HEAT ELEMENT+ SS TERMINAL	230V-900W				
	11024001	HEAT ELEMENT+ SS TERMINAL	120V-900W				
18	NM01.021	SILICONE OR 2050					
19	11023888	SS NUT 1/8 GAS H=6 CH=14					
20	17000501	SS M8 UPPER BOILER CASING W/BACKET					
21	129680802	GALVANIZ.SCREW WITH WASHER TE M5X20					
22	140323062	OR 2043 IN SILICONE					
23	140322162	OR 2037 IN SILICONE					
24	17000444	SS THREAD STRAIGHT FIT.FOR SS.BOILER ABC					
25	189422000	THERMOSTAT 95° 1NT-01L-0036					
26	189425100	THERMOSTAT 127° 1NT-01L-0499					
27	17000988	SS BOILER 2THERM.FIXING SPRING					
28	128311204	BURN.WASHER UNI 8842 A12					
29	123452000	BRASS NUT M 12 X1,25 H= 4,5					
30	17000511	SS THREAD CONNECTOR FAUCET/SS.BOILER ABC					
31	123390420	BRASS NUT 1/8 GAS H=4.5 CH=13					
32	11026888	WIRING ABC ASSY.					
	17800409	WIRING ABC UL ASSY.					
33	189300800	THERMAL FUSE 184°C 15 A					
34	289200100	THERMAL. PROTECT.120°C CABL.121/121					
35	12000892	OETIKER CLAMP D=9,5 16700004					
36	12000833	DEFOND PUMP P-50 A2P GW	230V-50HZ				
	12000182	ULKA PUMP EP5/S GW	220V-60HZ				
	12000142	ULKA PUMP EAP5/S	120V-60HZ				
37	11004689	TEA/BRASS SAFETY VALVE 16-18 BAR ASSY.					
38	16000380	5X8,9 SILICONE TUBE IN ROLL					
39	149361400	TRANSP.SILICONE TUBE 5X9 65SH IN ROLL					
40	11025697	BLACK BOILER SPACER ABC					
41	11024852	SS STEAM TUBE ABC ASSY.					
42	11025700	STEEL BOILER AND POMP SUPPORT ABC					
43	12000450	SCREW TCBR TORX 10 3,5X12 PLAST.ZN-N					