

HD8323/31-38-39-61-69  
 HD8325/71-78-79  
 HD8327/91-99

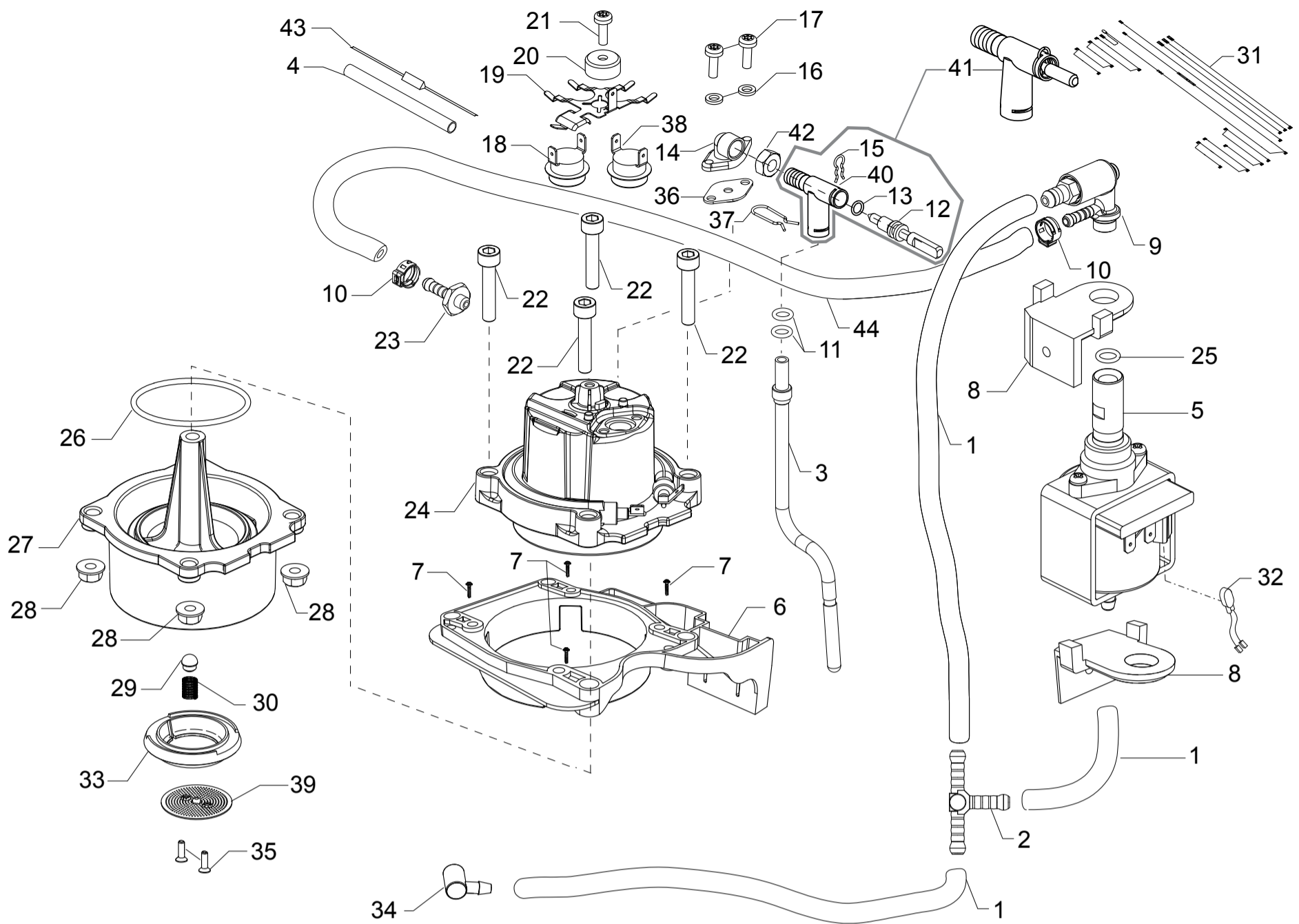


Cod. 882832331010 - 38150 - 39010 - 61010-69020  
 Cod. 882832571010 - 78150 - 79010  
 Cod. 882832791010 - 99010

| POS | CODE         | 12NC         | DESCRIPTION                              | NOTE                 | POS | CODE      | 12NC         | DESCRIPTION                              | NOTE                 |
|-----|--------------|--------------|--|----------------------|-----|-----------|--------------|--|----------------------|
| 01  | 11026897     | 996530067997 | CHROM.WATER-STEAM KNOB S/SCR.ABC ASSY.   | FOCUS - TOP          | 30  |           | 421941300671 | BLK/SIL.STEAM TUBE HANDGRIP G0053        |                      |
|     |              | 421941303221 | BLK WATER-STEAM KNOB S/SCR.ABC ASSY.     | DEAL                 | 31  | 11025662  | 996530067977 | SS BOIL.PRES.FILTERHOLD.SEAL H=11,3 60SH |                      |
| 02  | 11026901     | 996530068005 | CHROM.CONTROL KNOB ABC ASSY.             | FOCUS - TOP          | 32  |           | 421946000841 | BLK POWER CABLE SCHUKO L=850             |                      |
|     |              | 421941303171 | BLK CONTROL KNOB ABC ASSY.               | DEAL                 |     |           | 421946001261 | BLACK POWER CABLE UK L=1050              |                      |
| 03  |              | 421941302721 | TRANSP.WATER CONTAINER V2 S/SCR.ABC ASSY |                      | 33  | 11026889  | 996530067957 | GREEN NEON LAMP ABC                      |                      |
| 04  | 147660562    | 996530016894 | GREY PISTON FOR WATER CONTAINER VALVE    |                      | 34  | 11028459  | 996530070502 | BLACK REAR LOWER CASING COVER ABC        |                      |
| 05  | 140324362    | 996530013507 | OR ORM 0060-30 SILICONE                  |                      |     | 11029464  | 996530072955 | GREY REAR LOWER CASING COVER ABC         |                      |
| 06  | 126764718    | 996530011626 | SS WATER CONTAINER VALVE SPRING          |                      | 35  | 12000824  | 996530007912 | ROTARY SWITCH AYA-2213 FOR P234          |                      |
| 07  | 11024822     | 996530067981 | BLACK HANDLE WATER CONTAINER ABC         |                      | 36  |           | 242212803182 | INT.PUSH BIPOL.ON-OFF ABC NER.           |                      |
| 08  |              | 421941302861 | CHR/BLK FRONT PANEL S/SCR.SAE ABC/B ASSY | FOCUS                | 37  |           | 421940312141 | DISPL.BOX ABC/B-M-T PSA POEMIA WE        | FOCUS WE             |
|     |              | 421941302851 | CHR/SS FRONT PANEL S/SC.SAE ABC/M-T ASSY | TOP                  |     |           | 421940312161 | DISPL.BOX ABC/B-M-T PSA POEMIA CEE       | FOCUS CEE            |
|     |              | 421941303141 | CHR/BLK FRONT PANEL S/SCR.SAE ABC/D ASSY | DEAL                 |     |           | 421940312211 | DISPL.BOX ABC/D PSA POEMIA DEAL WE-CEE   | DEAL WE-CEE          |
| 09  | 11026924     | 996530067961 | BLACK ALUM. PRES.FILTERHOLDER ABC        | FOCUS - TOP          |     |           | 421946005281 | DISPL.BOX V2 ABC/D PSA POEM.DEAL WE-CEE  | DEAL WE-CEE          |
|     |              | 421941303651 | BLK/BLK ALUM. PRES.FILTERHOLDER ABC      | DEAL                 |     | 13001366  | 996530067995 | DISPLAY BOX ABC/M PSA POEMIA CLASS WE    | CLASS WE             |
| 10  | 123591309    | 996530011272 | BRASS SPACER FOR PRES.FILTERHOLDER       |                      |     | 13001432  | 996530068658 | DISPL.BOX ABC/M PSA POEMIA CLASS CEE     | CLASS CEE            |
| 11  | 129730721    | 996530013032 | TCB SCREW PZ/SW 4X12 UNI 8112 SS         |                      |     | 13001452  | 996530069919 | DISPLAY BOX ABC/T PSA POEMIA TOP WE      | TOP WE               |
| 12  | 11025501     | 996530067966 | BLACK PRES.FILTERHOLDER HANDLE ABC       |                      |     | 13001453  | 996530069922 | DISPL.BOX ABC/T PSA POEMIA TOP CEE       | TOP CEE              |
| 13  | 11025502     | 996530067996 | CHROM FILTERHOLDER HANDLE CAP ABC        | FOCUS - TOP          | 38  | 11029644  | 996530070492 | NOMEX PROTECTION FOR ROTARY SWITCH ABC   |                      |
|     |              | 421941303191 | BLK FILTERHOLDER HANDLE CAP ABC          | DEAL                 | 39  | 13001496  | 996530070503 | CARTON FILTERHOLDER PROTECT.INSERT ABC   |                      |
| 14  | 126769918    | 996530011684 | SS SPRING FOR PRES.FILTERHOLDER PIN L=13 |                      | 40  | 13001520  | 996530070487 | CARTON UPPER INSERT BOX ABC              |                      |
| 15  | 126768418    | 996530011667 | SS.SPRING FOR CAM PRESS.FILTERHOLDER     |                      | 41  | 13001497  | 996530070505 | CARTON CENTRAL INSERT BOX ABC            |                      |
| 16  | 229181800    | 996530031265 | GREY PRES.FILTERHOLDER PIN SUPPORT ASSY. |                      | 42  |           | 421940439331 | MANUAL V2 PSA POEMIA ABC 12L.WE          | WE                   |
| 17  | 126835818    | 996530011811 | SS.SPRING FILTERHOLD.HAND.PRES/MEC.      |                      |     |           | 421940439341 | MANUAL V2 PSA POEMIA ABC GB/DE/FR/ES/SA  |                      |
| 18  | 17000097     | 996530009582 | ALUM/POL.V2 PRES/MECC.FILTERHOLDER       |                      |     |           | 421940439321 | MANUAL V2 PSA POEMIA ABC 12L.CEE         | CEE                  |
| 19  | 145847762    | 996530015878 | BROWN PRES.FILTERHOLDER CONVEYOR SEAL    |                      |     |           | 421940439551 | MANUAL PSA POEMIA ABC/D 12L.WE           | DEAL WE              |
| 20  | 142862959    | 996530015136 | GREY CONVEYOR HOLE 1,7 PRES.FILTERHOLDER |                      |     |           | 421940439521 | MANUAL SAE POEMIA ABC/D 12L.CEE          | DEAL CE              |
| 21  | 0701.031.150 | 996530044417 | GREY WATER VALVE GACO DIM 14 SEAL COVER  |                      | 43  | 11024827  | 996530067962 | BLACK DRIP TRAY ABC/B-M                  | CLASS - FOCUS - DEAL |
| 22  | 124650221    | 996530011332 | 2CUP FILTER 54,5X25 W/O.NOT.HOLE D=48    |                      |     | 11027795  | 996530069923 | SS/SILVER DRIP TRAY ABC/T ASSY.          | TOP                  |
| 23  | 124653221    | 996530011363 | POD FILTER F.D=31 MM H=20,2MM P=2 MM     |                      | 44  | 11029994  | 996530072996 | STEEL CASING BOTTOM V2 ABC               |                      |
| 24  |              | 421941263132 | BLK CASING V2 ABC                        | CLASS - FOCUS - DEAL | 45  | 11025503  | 996530067983 | BLACK GROUND COFFEE MEASURE ABC          |                      |
|     |              | 421941303891 | SS/SILVER CASING V3 ABC/T ASSY.          | TOP                  | 46  | 13001377  | 996530068003 | CARTON LOWER INSERT BOX ABC              |                      |
| 25  | 11024798     | 996530067998 | BLACK WATER CONTAINER LID ABC/B-M        | CLASS - FOCUS - DEAL | 47  | 129912504 | 996530013147 | SCREW TCB TORX 10 3,5X14 PLAST.ZN-N      |                      |
|     | 11027797     | 996530069918 | SS/GREY WATER CONTAINER LID ABC/T ASSY   | TOP                  | 48  | 129913902 | 996530013164 | SCREW TCB TORX 10 3X12 PLAST.ZN-B        |                      |
| 26  | 11024829     | 996530067988 | BLACK CASING COVER ABC/B-M               | FOCUS - DEAL         | 49  | 148600600 | 996530017451 | BLACK POWER CABLE CLAMP MAGIC ESP/COM.   |                      |
|     | 11027796     | 996530069921 | SS/GREY CASING COVER ABC/T ASSY.         | TOP                  | 50  | 12000450  | 996530007819 | SCREW TCB TORX 10 3,5X12 PLAST.ZN-N      |                      |
|     | 11029357     | 996530070496 | SS/BLACK CASING COVER ABC/M ASSY.        | CLASS                | 51  | 145842900 | 996530015823 | NBR WATER CONT.VALVE GACO DIM14 SEAL     |                      |
| 27  | 147623750    | 996530016889 | BLACK ROUND FOOT                         |                      | 52  | DM0814    | 996530054358 | STEEL SPRING FOR KNOB TYMER              |                      |
| 28  | 11001769     | 996530001012 | BLACK PANNARELLO COVER P0049             | FOCUS                | 53  | 17001431  | 996530073025 | SS SPRING FOR FILTERHOLDER ABC           |                      |
|     | 11001621     | 996530001012 | SS PANNARELLO COVER P0049                | TOP                  | 54  |           | 421941303261 | BLK STEAM TUBE HANDGRIP NWPL/D           | DEAL                 |
| 29  | 11001620     | 996530000925 | BLACK PANNARELLO INNER TUBE P0049        |                      | 55  | 11024828  | 996530067992 | SS GRATE FOR DRIP TRAY ABC/M-T           | TOP                  |



POEMIA ALUMINIUM BOILER



HD8323/31-38-39-61-69  
 HD8325/71-78-79  
 HD8327/91-99



Cod. 882832331010 - 38150 - 39010 - 61010-69020  
 Cod. 882832571010 - 78150 - 79010  
 Cod. 882832791010 - 99010

| POS | CODE          | 12NC         | DESCRIPTION                              | NOTE    | POS | CODE      | 12NC         | DESCRIPTION                              | NOTE     |
|-----|---------------|--------------|--|---------|-----|-----------|--------------|--|----------|
| 01  | 149361400     | 996530018281 | TRANSP.SILICONE TUBE 5X9 65SH            | IN ROLL | 39  | 123741722 | 996530011295 | ALUM.PERCOL.FOR ALUM.BOILER JUNIOR       |          |
| 02  | 11007493      | 996530004363 | T CONNECTOR FOR BOILER P604              |         | 40  | 11025139  | 996530067991 | L-F/BRASS STEAM FAUCET FOR SS BOILER ABC |          |
| 03  | 11024852      | 996530067984 | SS STEAM TUBE ABC ASSY.                  |         | 41  | 17000512  | 996530067964 | L-F/BRASS V2 STEAM FAUCET ABC ASSY.      |          |
| 04  | 229405400     | 996530031792 | TEFLON TUBE 4,2X0,38 L=100 MM            |         | 42  | 12001900  | 996530073509 | GALV.NUT 1/8 GAS H=4.5 CH=13             |          |
| 05  | 12000833      | 996530007915 | DEFOND PUMP P-50 A2P GW 230V-50HZ        |         | 43  | 189300800 | 996530026889 | THERMAL FUSE 184°C 15 A                  |          |
| 06  |               | 421946000821 | BLK SUPP.ALU BOILER AND PUMP ABC         |         | 44  | 16000380  | 996530009505 | 5X8,9 SILICONE TUBE                      | IN ROLL  |
| 07  | 12000450      | 996530007819 | SCREW TCBR TORX 10 3,5X12 PLAST.ZN-N     |         |     | 11031434  | 996530073512 | ALU.GEN.BOILER ABC 230V ASSY.            | COMPLETE |
| 08  | 149205850     | 996530018056 | BLACK TYPE ULKA PUMP W/BEVEL SUPPORT     |         |     |           |              |  |          |
| 09  | 11025482      | 996530073004 | PLAST-BR/L-F SAFETY VALVE 16-18 BAR ASSY |         |     |           |              |  |          |
| 10  | 12000892      | 996530007947 | OETIKER CLAMP D=9,5 16700004             |         |     |           |              |  |          |
| 11  | 140321861     | 996530013467 | O-RING 2025 EPDM                         |         |     |           |              |  |          |
| 12  | 11024775      | 996530068004 | L-F/BRASS FAUCET SHAFT SS.BOILER NEWGEN  |         |     |           |              |  |          |
| 13  | WGADM0041/031 | 996530063888 | OR 2018 VITON 70 SH                      |         |     |           |              |  |          |
| 14  | 11025150      | 996530073511 | L-F/BRASS CONNECT.FAUCET/ALUM.BOILER ABC |         |     |           |              |  |          |
| 15  | 9011.144      | 996530048885 | SS FORK FOR TUBE D=4                     |         |     |           |              |  |          |
| 16  | 128310402     | 996530012341 | GALV.WASHER UNI 8842 A4                  |         |     |           |              |  |          |
| 17  | U046.003      | 996530061862 | SCREW TCBD TORX 20 M4X12 ZN-B            |         |     |           |              |  |          |
| 18  | 189422000     | 996530026907 | THERMOSTAT 95° 1NT-01L-0036              |         |     |           |              |  |          |
| 19  | 11013833      | 996530006874 | ALUM.BOILER THERMOST.FIXING SPRING AURA  |         |     |           |              |  |          |
| 20  | 128171020     | 996530012329 | BRASS WASHER DE =16 SPRING HOLD THERM.   |         |     |           |              |  |          |
| 21  | 129573202     | 996530012921 | SCREW TCB TORX 20 M4X8 AUTOFORMING ZN-B  |         |     |           |              |  |          |
| 22  | U023.022      | 996530061792 | SCREW TCEI M6,0X30 UNI 5931 8.8 ZNP      |         |     |           |              |  |          |
| 24  | 11013306      | 996530006738 | AL.UPPER CASING BOILER JUN.CHN 230V ASSY |         |     |           |              |  |          |
| 25  | 140321961     | 996530013471 | O-RING 2031 TERMOIL                      |         |     |           |              |  |          |
| 26  | 140325962     | 996530013534 | O-RING 3212 SILICONE                     |         |     |           |              |  |          |
| 27  |               | 421946000831 | GLOSS ALU.LOWER BOILER CASING ABC ASSY.  |         |     |           |              |  |          |
| 28  | 123270102     | 996530011202 | NUT M6 FLANGED TOOTHED BASE GALV.        |         |     |           |              |  |          |
| 29  | 149450588     | 996530018311 | 65SH SILICONE BOILER SEALING VALVE       |         |     |           |              |  |          |
| 30  | 126770818     | 996530011693 | SS SPRING FOR ALU.BOILER SEALING VALVE   |         |     |           |              |  |          |
| 31  |               | 421946000161 | WIRING V3 ABC ASSY.                      |         |     |           |              |  |          |
| 32  | 189201000     | 996530026853 | THERMAL PROTECTOR 120°C CABLES112/265    |         |     |           |              |  |          |
| 33  | 11013378      | 996530006756 | ALU.BOILER FILTERHOLDER SEAL JUNIOR      |         |     |           |              |  |          |
| 34  | 147920150     | 996530017348 | 90° INLET PUMP CONNECTOR                 |         |     |           |              |  |          |
| 35  | 129580721     | 996530012935 | SCREW TSP TORX 10 M3X8 AUTOFORMING SS    |         |     |           |              |  |          |
| 36  | 145845362     | 996530015849 | SILIC.SEAL FOR ALUM.BOILER FAUCET JUNIOR |         |     |           |              |  |          |
| 37  | 126764018     | 996530011619 | SS SPRING D=1 STEAM TUBE HOLDER JUN.     |         |     |           |              |  |          |
| 38  | 189425100     | 996530026928 | THERMOSTAT 127° 1NT-01L-0499             |         |     |           |              |  |          |