

Service  
Service  
**Service**

HD8323  
HD8325  
HD8327



# Exploded View

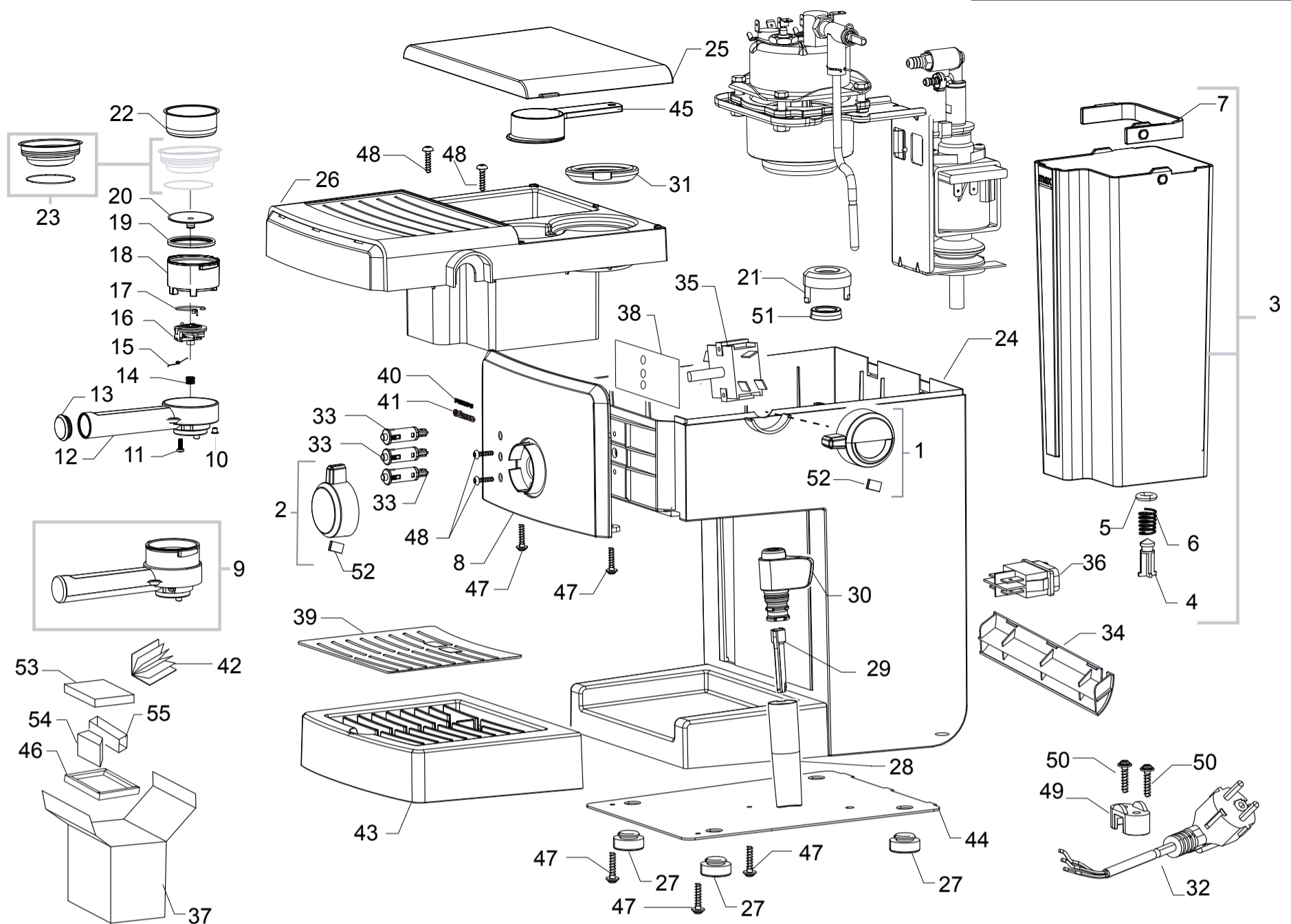
## Contents

External / Front panel /  
Water system

## Table

1/2  
2/2

All rights reserved. No part of this publication may be reproduced, stored in a retrieval system or transmitted, in any form or by any means, electronic, mechanical, photocopying, or otherwise without the prior permission of Saeco.



**PHILIPS**  
**Saeco**

HD8323/01-02-05-06-07-08-09-11-12-16

HD8323/16-17-41-42-43-88-98

HD8325/ 01-03-05-07-08-09-42-47

HD8327/01-02-03-06-08-09-41-43-47



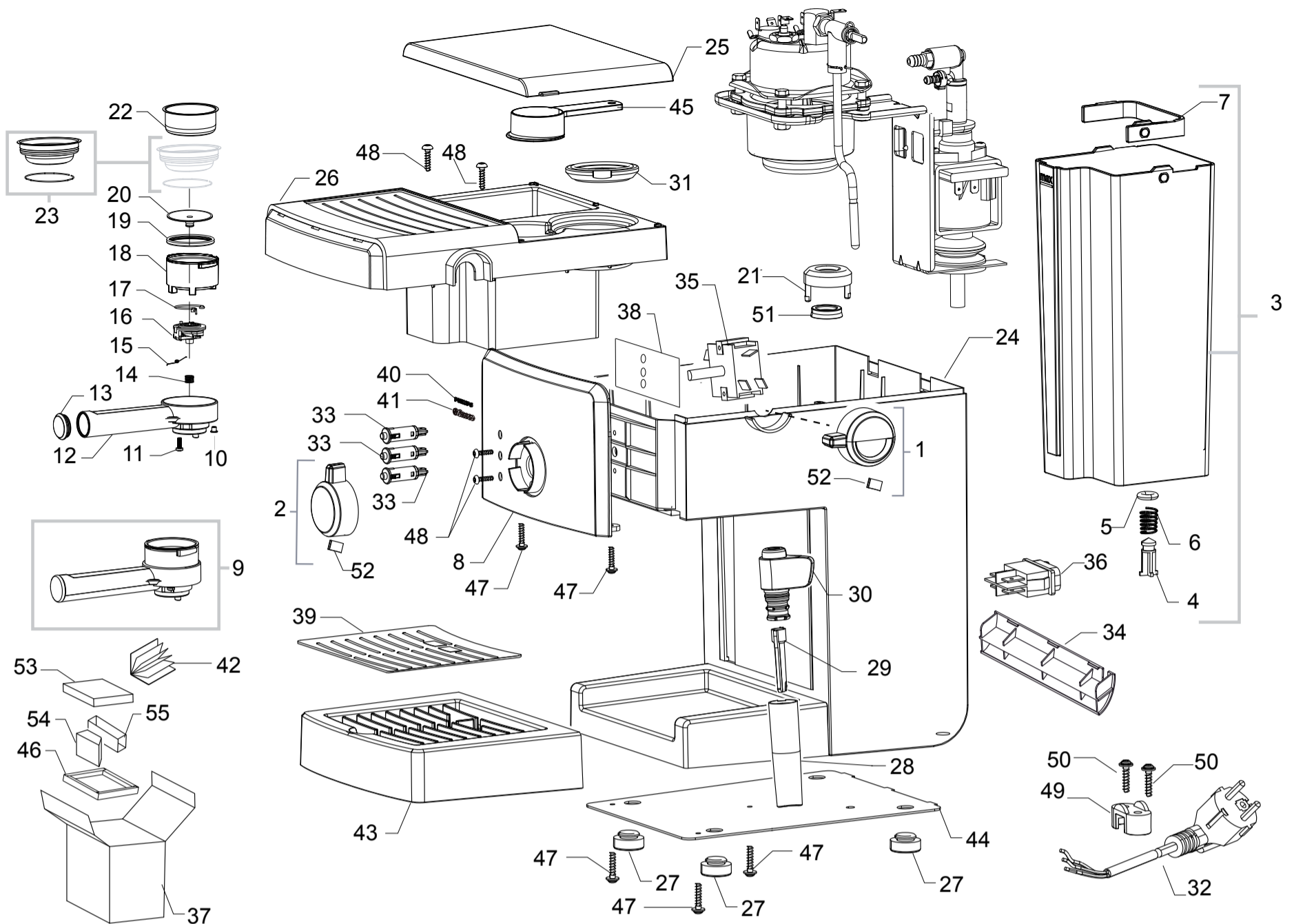
Cod. 10003615-16-17-882832306660-3815-3902-03-4378-79

Cod. 10004435-4014-882832317470-88150-98150-10004121-20

Cod. 10003904-97-3813-3618-19-30-4013-4299

Cod. 10004300-3905-06-07-4047-4110-11-22-23

| POS | CODE         | 12NC         | DESCRIPTION                              | NOTE          | POS       | CODE         | 12NC                                     | DESCRIPTION                              | NOTE          |
|-----|--------------|--------------|--|---------------|-----------|--------------|--|--|---------------|
| 01  | 11026897     | 996530067997 | CHROM.WATER-STEAM KNOB S/SCR.ABC ASSY.   |               | 26        | 11024829     | 996530067988                             | BLACK CASING COVER ABC/B-M               | FOCUS         |
| 02  | 11026901     | 996530068005 | AS.MANOPIOLA COMANDI.ABC CROM.           |               | 26        | 11027796     | 996530069921                             | SS/GREY CASING COVER ABC/T ASSY.         | TOP           |
| 03  |              | 421941302721 | TRANSP.WATER CONTAINER V2 S/SCR.ABC ASSY |               | 11029357  | 996530070496 | SS/BLACK CASING COVER ABC/M ASSY.        | CLASS                                    |               |
| 04  | 147660562    | 996530016894 | GREY PISTON FOR WATER CONTAINER VALVE    |               | 11031268  | 996530072956 | SS/RED CASING COVER ABC/M ASSY.          | RED                                      |               |
| 05  | 140324362    | 996530013507 | OR ORM 0060-30 SILICONE                  |               | 11031269  | 996530072964 | SS/WHITE CASING COVER ABC/M ASSY.        | WHITE                                    |               |
| 06  | 126764718    | 996530011626 | SS WATER CONTAINER VALVE SPRING          |               | 27        | 11024824     | 996530067972                             | PIEDINO ABC NER.                         |               |
| 07  | 11024822     | 996530067981 | BLACK HANDLE WATER CONTAINER ABC         |               | 147623150 | 996530016882 | BLACK SQUARE ADHESIVE FOOT 5023          | USA - TWN                                |               |
| 08  | 11026909     | 996530068007 | CHROM/BLK FRONT PANEL S/SCR.ABC/B ASSY.  | CHN-KOR-TWN   | 28        | 11001769     | 996530001012                             | BLACK PANNARELLO COVER P0049             | FOCUS         |
|     | --           | 421941302861 | CHR/BLK FRONT PANEL S/SCR.SAE ABC/B ASSY |               | 11001621  | 996530000926 | SS PANNARELLO COVER P0049                | CLASS - TOP                              |               |
|     | 11025458     | 996530068006 | CHROM/SS FRONT PANEL S/SCR.ABC/M-T ASSY. | CHN-KOR-TWN   | 29        | 11001620     | 996530000925                             | BLACK PANNARELLO INNER TUBE P0049        |               |
|     | --           | 421941302851 | CHR/SS FRONT PANEL S/SC.SAE ABC/M-T ASSY |               | 30        | -            | 421941300671                             | BLK/SIL.STEAM TUBE HANDGRIP G0053        |               |
|     | --           | 421941302891 | CHR/RED FRONT PANEL S/SCR.SAE ABC/B ASSY | RED           | 31        | 11025662     | 996530067977                             | GUARN.H=11,3 60SH PORTAF.PRES.MEC/CAL.IN |               |
|     | 11031280     | 996530072969 | CHR/RED FRONT PANEL S/SCR.PSAABC/B ASSY  | RED KOR       | 32        | 17800167     | 996530068652                             | BLACK POWER CABLE SCHUKO L=1550          |               |
|     | --           | 421941302901 | CHR/WHT FRONT PANEL S/SCR.SAE ABC/B ASSY | WHITE         | 17800168  | 996530068649 | BLACK POWER CABLE 3X075 CHINA L=1550     |  |               |
| 09  | 11026924     | 996530067961 | BLACK ALUM. PRES.FILTERHOLDER ABC ASSY.  |               | 17800421  | 996530068656 | BLACK POWER CABLE UK L=1550              |  |               |
| 10  | 123591309    | 996530011272 | BRASS SPACER FOR PRES.FILTERHOLDER       |               | 17800423  | 996530068651 | BLACK POW.CABLE KOREA L=1550             |  |               |
| 11  | 129730721    | 996530013032 | TCB SCREW PZ/SW 4X12 UNI 8112 SS         |               | 17800419  | 996530068655 | BLACK POWER CABLE CH L=1550              |  |               |
| 12  | 11025501     | 996530067966 | BLACK PRES.FILTERHOLDER HANDLE ABC       |               | 17800381  | 996530069885 | BLACK POWER CABLE ARGENTINA L=1550       |  |               |
| 13  | 11025502     | 996530067996 | CHROM FILTERHOLDER HANDLE CAP ABC        |               | 17800454  | 996530069924 | BLACK POWER CABLE AUSTRALIA L=1550       |  |               |
| 14  | 126769918    | 996530011684 | SS SPRING FOR PRES.FILTERHOLDER PIN L=13 |               | 17800390  | 996530070494 | BLACK POWER CABLE USA SJT 3X18AWG L=1550 |  |               |
| 15  | 126768418    | 996530011667 | SS.SPRING FOR CAM PRESS.FILTERHOLDER     |               | 17800466  | 996530070506 | BLACK POW.CABLE BRA.L=1550               |  |               |
| 16  | 229181800    | 996530031265 | GREY PRES.FILTERHOLDER PIN SUPPORT ASSY. |               | 17800503  | 996530072961 | BLACK POWER CABLE TAIWAN HVCTF L=1450    |  |               |
| 17  | 126835818    | 996530011811 | SS.SPRING FILTERHOLD.HAND.PRES/MEC.      |               | 33        | 11026889     | 996530067957                             | GREEN NEON LAMP ABC                      |               |
| 18  | 17000097     | 996530009582 | ALUM/POL.V2 PRES/MECC.FILTERHOLDER       |               | 11029642  | 996530070497 | GREEN NEON LAMP ABC UL                   | 120V                                     |               |
| 19  | 145847762    | 996530015878 | BROWN PRES.FILTERHOLDER CONVEYOR SEAL    |               | 34        | 11028459     | 996530070502                             | BLACK REAR LOWER CASING COVER ABC        | FOCUS - CLASS |
| 20  | 142862959    | 996530015136 | GREY CONVEYOR HOLE 1,7 PRES.FILTERHOLDER |               | 11029464  | 996530072955 | GREY REAR LOWER CASING COVER ABC         | TOP                                      |               |
| 21  | 0701.031.150 | 996530044417 | GREY WATER VALVE GACO DIM 14 SEAL COVER  |               | 11031259  | 996530072973 | RED REAR LOWER CASING COVER ABC          | RED                                      |               |
| 22  | 124650221    | 996530011332 | 2CUP FILTER 54,5X25 W/O.NOT.HOLE D=48    |               | 11031260  | 996530072949 | WHITE REAR LOWER CASING COVER ABC        | WHITE                                    |               |
| 23  | 20007036     | 996530069505 | SPARES KIT POD FILTER + SPRING ABC       |               | 35        | 12000824     | 996530007912                             | ROTARY SWITCH AYA-2213 FOR P234          |               |
| 24  | 11024797     | 996530068002 | BLACK CASING ABC                         | FOCUS - CLASS | 17800508  | 996530070498 | ROTARY SWITCH AYA-2215 FOR P234          | 120V                                     |               |
|     | 11027798     | 996530069917 | SS/SILVER CASING ABC/T ASSY.             | TOP           | 36        | NE03.038     | 996530058836                             | BIPOLAR SWITCH FUSIT C1250AR             |               |
|     | 11031255     | 996530072946 | RED CASING ABC                           | RED           |           | 242212625107 | SWI POW 2P 16A 250V FASTON IEC 1552 B    |  |               |
|     | 11031256     | 996530072952 | WHITE CASING ABC                         | WHITE         | 37        | 13001366     | 996530067995                             | DISPLAY BOX ABC/M PSA POEMIA CLASS WE    | CLASS WE      |
| 25  | 11024798     | 996530067998 | BLACK WATER CONTAINER LID ABC/B-M        | FOCUS - CLASS |           | 13001367     | 996530067982                             | DISPLAY BOX ABC/B PSA POEMIA FOCUS WE    | FOCUSWE       |
|     | 11027797     | 996530069918 | SS/GREY WATER CONTAINER LID ABC/T ASSY   | TOP           |           | 13001431     | 996530068653                             | DISPLAY BOX ABC/B PSA POEMIA             | FOCUS CEE     |
|     | 11031272     | 996530072972 | RED WATER CONTAINER LID ABC/B-M          | RED           |           | 13001432     | 996530068658                             | DISPLAY BOX ABC/M PSA POEMIA             | CLASS CEE     |
|     | 11031273     | 996530072974 | WHITE WATER CONTAINER LID ABC/B-M        | WHITE         |           | 13001453     | 996530069922                             | DISPLAY BOX ABC/T PSA POEMIA             | TOP CEE       |

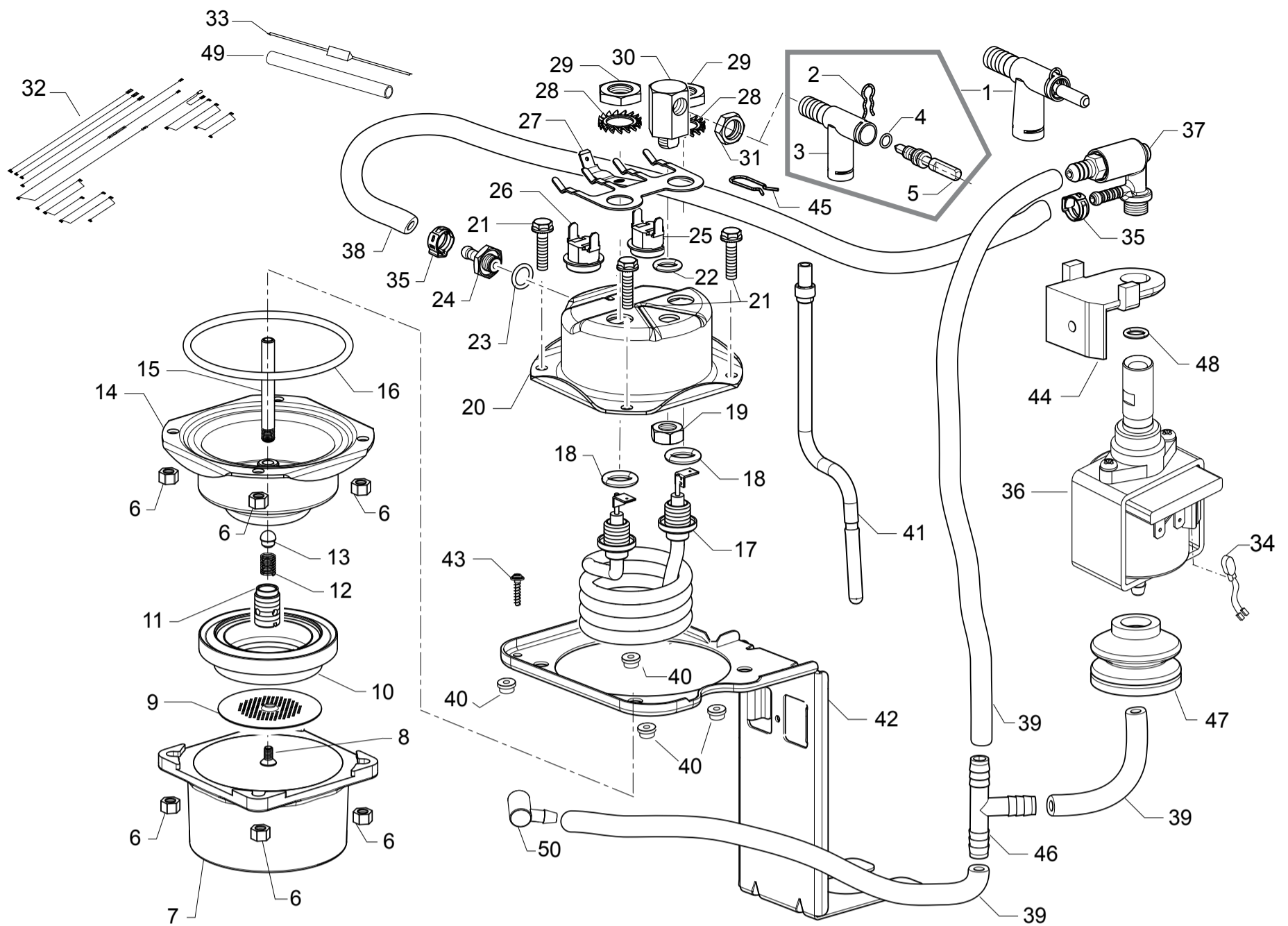


HD8323/01-02-05-06-07-08-09-11-12-16  
 HD8323/16-17-41-42-43-88-98  
 HD8325/ 01-03-05-07-08-09-42-47  
 HD8327/01-02-03-06-08-09-41-43-47



Cod. 10003615-16-17-882832306660-3815-3902-03-4378-79  
 Cod. 10004435-4014-882832317470-88150-98150-10004121-20  
 Cod. 10003904-97-3813-3618-19-30-4013-4299  
 Cod. 10004300-3905-06-07-4047-4110-11-22-23

| POS | CODE      | 12NC         | DESCRIPTION                                 | NOTE          | POS | CODE | 12NC | DESCRIPTION | NOTE |
|-----|-----------|--------------|---|---------------|-----|------|------|-------------|------|
|     | 13001452  | 996530069919 | DISPLAY BOX ABC/T PSA POEMIA                | TOP WE        |     |      |      |             |      |
| 37  | 13001374  | 996530072971 | DISPLAY BOX ABC/M PSA POEMIA                | CLASS USA     |     |      |      |             |      |
|     | 13001375  | 996530070488 | DISPLAY BOX ABC/T PSA POEMIA                | TOP USA       |     |      |      |             |      |
| 38  | 11029644  | 996530070492 | NOMEX PROTECTION FOR ROTARY SWITCH ABC      |               |     |      |      |             |      |
| 39  | 11024828  | 996530067992 | SS GRATE FOR DRIP TRAY ABC/M-T              | TOP - CLASS   |     |      |      |             |      |
| 40  | 11024301  | 996530067434 | ADHES.SILVER PLATE LOGO PHILIPS TOP - CLASS | CHN-KOR-TWN   |     |      |      |             |      |
| 41  | 11011406  | 996530006054 | ADHES.SILVER PLATE LOGO SAECO P0057         | TOP - CLASS   |     |      |      |             |      |
| 42  | 15002848  | 996530067976 | MANUAL PSA POEMIA ABC 12L.WE                |               |     |      |      |             |      |
|     | 15002849  | 996530068654 | MANUAL PSA POEMIA ABC 12L.CEE               |               |     |      |      |             |      |
|     | 15003068  | 996530068657 | MANUAL PSA POEMIA GB/CHN/KOR/TWN            |               |     |      |      |             |      |
|     | 15003069  | 996530068648 | MANUAL PSA POEMIA GB/DE/FR/ES/SA            |               |     |      |      |             |      |
|     | 15003183  | 996530070499 | MANUAL PSA POEMIA ABC PT/BRA                |               |     |      |      |             |      |
|     | 15003547  | 996530072975 | MANUAL PSA POEMIA ABC 3L.USA                |               |     |      |      |             |      |
| 43  | 11024827  | 996530067962 | BLACK DRIP TRAY ABC/B-M                     | FOCUS - CLASS |     |      |      |             |      |
|     | 11027795  | 996530069923 | SS/SILVER DRIP TRAY ABC/T ASSY.             | TOP           |     |      |      |             |      |
|     | 11031276  | 996530072966 | RED DRIP TRAY ABC/B-M                       | RED           |     |      |      |             |      |
|     | 11031277  | 996530072951 | WHITE DRIP TRAY ABC/B-M                     | WHITE         |     |      |      |             |      |
| 44  | 11024823  | 996530067987 | STEEL CASING BOTTOM ABC                     |               |     |      |      |             |      |
|     | 11029641  | 996530070489 | STEEL CASING BOTTOM ABC UL                  | USA TWN       |     |      |      |             |      |
| 45  | 11025503  | 996530067983 | BLACK GROUND COFFEE MEASURE ABC             |               |     |      |      |             |      |
| 46  | 13001377  | 996530068003 | CARTON LOWER INSERT BOX ABC                 |               |     |      |      |             |      |
| 47  | 129912504 | 996530013147 | SCREW TCBR TORX 10 3,5X14 PLAST.ZN-N        |               |     |      |      |             |      |
| 48  | 129913902 | 996530013164 | SCREW TCB TORX 10 3X12 PLAST.ZN-B           |               |     |      |      |             |      |
| 49  | 148600600 | 996530017451 | BLACK POWER CABLE CLAMP MAGIC ESP/COM.      |               |     |      |      |             |      |
| 50  | 12000450  | 996530007819 | SCREW TCBR TORX 10 3,5X12 PLAST.ZN-N        |               |     |      |      |             |      |
| 51  | 145842900 | 996530015823 | NBR WATER CONT.VALVE GACO DIM14 SEAL        |               |     |      |      |             |      |
| 52  | DM0814    | 996530054358 | STEEL SPRING FOR KNOB TYMER                 |               |     |      |      |             |      |
| 53  | 13001520  | 996530070487 | CARTON UPPER INSERT BOX ABC                 |               |     |      |      |             |      |
| 54  | 13001497  | 996530070505 | CARTON CENTRAL INSERT BOX ABC               |               |     |      |      |             |      |
| 55  | 13001496  | 996530070503 | CARTON FILTERHOLDER PROTECT.INSERT ABC      |               |     |      |      |             |      |



**PHILIPS**  
**Saeco**

HD8323/01-02-05-06-07-08-09-11-12-16  
HD8323/16-17-41-42-43-88-98  
HD8325/ 01-03-05-07-08-09-42-47  
HD8327/01-02-03-06-08-09-41-43-47



Cod. 10003615-16-17-882832306660-3815-3902-03-4378-79  
Cod. 10004435-4014-882832317470-88150-98150-10004121-20  
Cod. 10003904-97-3813-3618-19-30-4013-4299  
Cod. 10004300-3905-06-07-4047-4110-11-22-23

| POS | CODE          | 12NC         | DESCRIPTION                              | NOTE | POS      | CODE         | 12NC         | DESCRIPTION                            | NOTE |
|-----|---------------|--------------|--|------|----------|--------------|--------------|--|------|
| 01  | 17000512      | 996530067964 | L-F/BRASS V2 STEAM FAUCET ABC ASSY.      |      | 36       | 12000833     | 996530007915 | DEFOND PUMP P-50 A2P GW 230V-50HZ      |      |
| 02  | 9011.144      | 996530048885 | SS FORK FOR TUBE D=4                     |      | 12000182 | 996530007782 | 996530007782 | ULKA PUMP EP5/S GW 220V-60HZ           |      |
| 03  | 11025139      | 996530067991 | L-F/BRASS STEAM FAUCET FOR SS BOILER ABC |      | 12000142 | 996530007754 | 996530007754 | ULKA PUMP EAP5/S 120V-60HZ             |      |
| 04  | WGADM0041/031 | 996530063888 | OR 2018 VITON 70 SH                      |      | 37       | 11004689     | 996530002484 | TEA/BRASS SAFETY VALVE 16-18 BAR ASSY. |      |
| 05  | 11024775      | 996530068004 | L-F/BRASS FAUCET SHAFT SS.BOILER NEWGEN  |      | 38       | 16000380     | 996530009505 | 5X8,9 SILICONE TUBE IN ROLL            |      |
| 06  | 123160502     | 996530011189 | GALVANIZED NUT M5 HIGH UNI 5587-68       |      | 39       | 149361400    | 996530018281 | TRANSP.SILICONE TUBE 5X9 65SH IN ROLL  |      |
| 07  | 17000384      | 996530067958 | POLISHED FILTERHOLD.LOCKING RING ABC ASS |      | 40       | 11025697     | 996530070532 | BLACK BOILER SPACER ABC                |      |
| 08  | 129854021     | 996530013107 | TSP SCREW M4X8 UNI 7688 SS               |      | 41       | 11024852     | 996530067984 | SS STEAM TUBE ABC ASSY.                |      |
| 09  | 123741421     | 996530011292 | PERCOLATOR DE =48,8 SS BOILER JACOBS     |      | 42       | 11025700     | 996530067969 | STEEL BOILER AND PUMP SUPPORT ABC      |      |
| 10  | 145841500     | 996530015809 | BLACK FILTERHOLDER SEAL                  |      | 43       | 12000450     | 996530007819 | SCREW TCBR TORX 10 3,5X12 PLAST.ZN-N   |      |
| 11  | 11023968      | 996530067994 | SS VALVE HOLD SCREW SS BOILER            |      | 44       | 149205850    | 996530018056 | BLACK TYPE ULKA PUMP W/BEVEL SUPPORT   |      |
| 12  | EF0013        | 996530055395 | SS SPRING 5-7 BAR FOR BOILER VALVE       |      | 45       | 126764018    | 996530011619 | SS SPRING D=1 STEAM TUBE HOLDER JUN.   |      |
| 13  | 149450588     | 996530018311 | 65SH SILICONE BOILER SEALING VALVE       |      | 46       | 11007493     | 996530004363 | T CONNECTOR FOR BOILER P604            |      |
| 14  | 17000436      | 996530067971 | SS.LOWER BOILER CASING+SS HUB            |      | 47       | GG0085       | 996530056315 | BLACK TYPE ULKA PUMP SUPPORT           |      |
| 15  | 11023931      | 996530067979 | SS INTERNAL TUBE FOR SS BOILER           |      | 48       | 140321961    | 996530013471 | O-RING 2031 TERMOIL                    |      |
| 16  | 140322962     | 996530013489 | O-RING 176 SILICONE                      |      | 49       | 229405400    | 996530031792 | TEFLON TUBE 4,2X0,38 L=100 MM          |      |
| 17  | 11024000      | 996530067973 | HEAT ELEMENT+ SS TERMINAL 230V-900W      |      | 50       | 147920150    | 996530017348 | 90° INLET PUMP CONNECTOR               |      |
|     | 11024001      | 996530070529 | HEAT ELEMENT+ SS TERMINAL 120V-900W      |      |          |              |              |  |      |
| 18  | NM01.021      | 996530059385 | SILICONE OR 2050                         |      |          |              |              |  |      |
| 19  | 11023888      | 996530067999 | SS NUT 1/8 GAS H=6 CH=14                 |      |          |              |              |  |      |
| 20  | 17000501      | 996530067993 | SS M8 UPPER BOILER CASING W/BACKET       |      |          |              |              |  |      |
| 21  | 129680802     | 996530013006 | GALVANIZ.SCREW WITH WASHER TE M5X20      |      |          |              |              |  |      |
| 22  | 140323062     | 996530013492 | O-RING 2043 SILICONE                     |      |          |              |              |  |      |
| 23  | 140322162     | 996530013476 | O-RING 2037 SILICONE                     |      |          |              |              |  |      |
| 24  | 17000444      | 996530067959 | SS THREAD STRAIGHT FIT.FOR SS.BOILER ABC |      |          |              |              |  |      |
| 25  | 189422000     | 996530026907 | THERMOSTAT 95° 1NT-01L-0036              |      |          |              |              |  |      |
| 26  | 189425100     | 996530026928 | THERMOSTAT 127° 1NT-01L-0499             |      |          |              |              |  |      |
| 27  | 17000988      | 996530067968 | SS BOILER 2THERM.FIXING SPRING           |      |          |              |              |  |      |
| 28  | 128311204     | 996530012352 | BURN.WASHER UNI 8842 A12                 |      |          |              |              |  |      |
| 29  | 123452000     | 996530011231 | BRASS NUT M12 X1,25 H= 4,5               |      |          |              |              |  |      |
| 30  | 17000511      | 996530067965 | SS THREAD CONNECTOR FAUCET/SS BOILER ABC |      |          |              |              |  |      |
| 31  | 123390420     | 996530011211 | BRASS NUT 1/8 GAS H=4.5 CH=13            |      |          |              |              |  |      |
| 32  | 11026888      | 996530067985 | WIRING ABC ASSY.                         |      |          |              |              |  |      |
|     | 17800409      | 996530070531 | WIRING ABC UL ASSY.                      |      |          |              |              |  |      |
| 33  | 189300800     | 996530026889 | THERMAL FUSE 184°C 15 A                  |      |          |              |              |  |      |
| 34  | 289200100     | 996530035365 | THERMAL. PROTECT.120°C CABL.121/121      |      |          |              |              |  |      |
| 35  | 12000892      | 996530007947 | OETIKER CLAMP D=9,5 16700004             |      |          |              |              |  |      |