

Service
Service
Service

HD8423
HD8425
HD8427



Exploded View

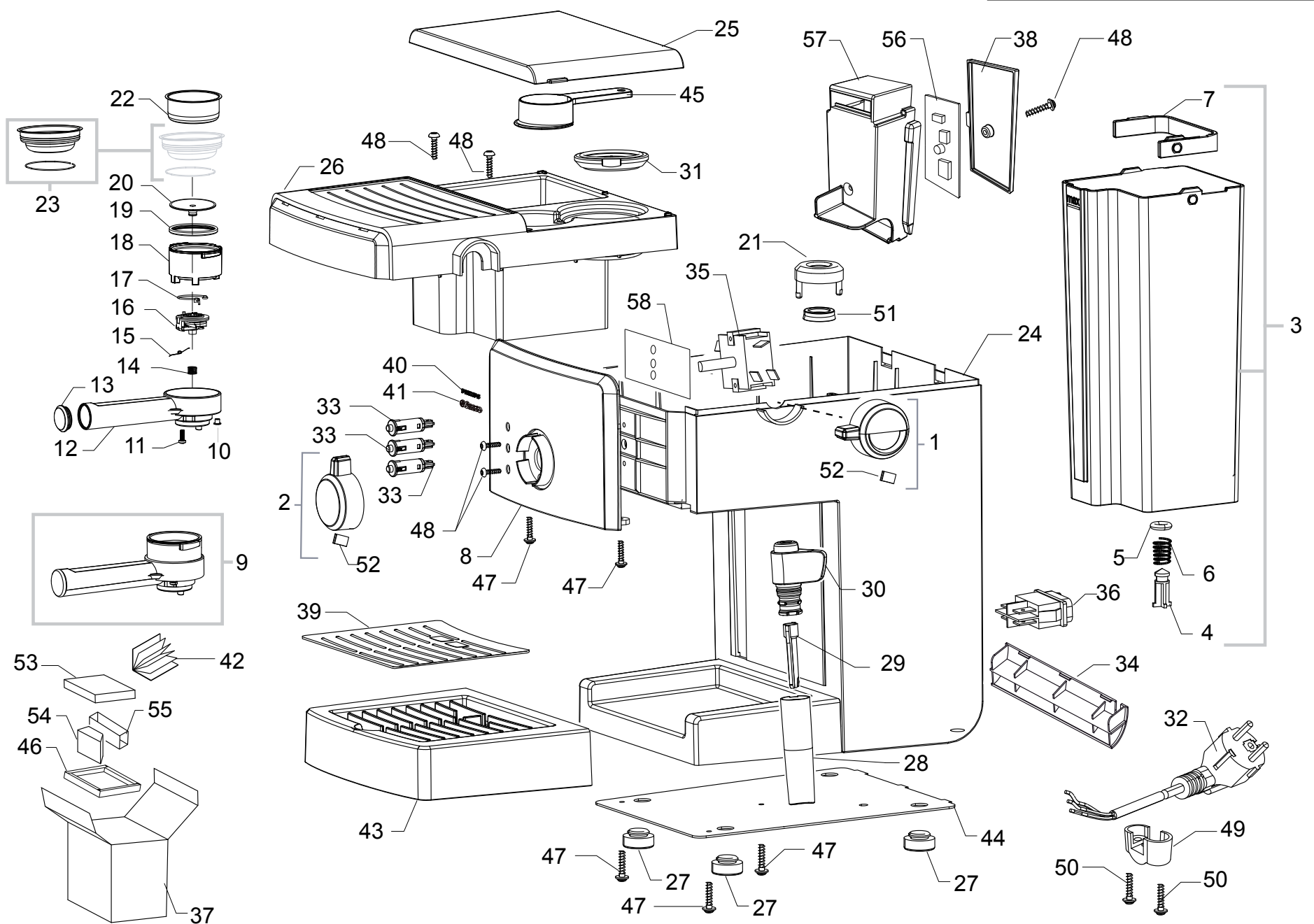
Contents

External / Front panel /
Water system

Table

1/2
2/2

All rights reserved. No part of this publication may be reproduced, stored in a retrieval system or transmitted, in any form or by any means, electronic, mechanical, photocopying, or otherwise without the prior permission of Saeco.



PHILIPS

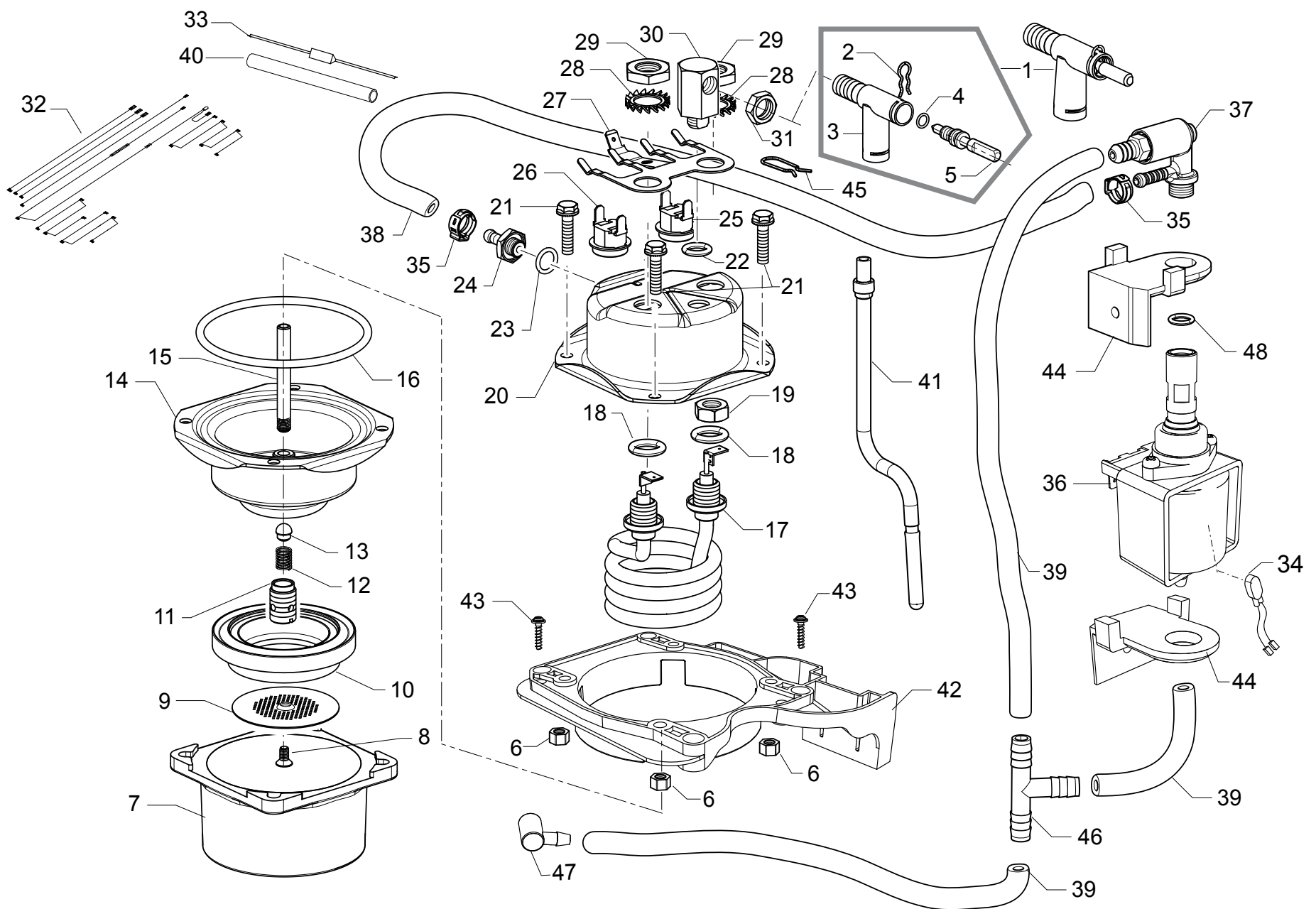
Saeco

HD8423/01-09 HD8425/01-09
HD8427/01-09



Cod. 10004290-4291-4292-4293
10004295-4296

POS	CODE	12NC	DESCRIPTION	NOTE	POS	CODE	12NC	DESCRIPTION	NOTE
01	11026897	996530067997	CHROM.WATER-STEAM KNOB S/SCR.ABC ASSY.		37	13001366	996530067995	DISPLAY BOX ABC/M PSA POEMIA	CLASS WE
02	11026901	996530068005	CHROM.CONTROL KNOB ABC ASSY.			13001367	996530067982	DISPLAY BOX ABC/B PSA POEMIA	FOCUS WE
03		421941302721	TRANSP.WATER CONTAINER V2 S/SCR.ABC ASSY			13001431	996530068653	DISPLAY BOX ABC/B PSA POEMIA	FOCUS CEE
04	147660562	996530016894	GREY PISTON FOR WATER CONTAINER VALVE			13001432	996530068658	DISPLAY BOX ABC/M PSA POEMIA	CLASS CEE
05	140324362	996530013507	OR ORM 0060-30 SILICONE			13001452	996530069919	DISPLAY BOX ABC/T PSA POEMIA	TOP WE
06	126764718	996530011626	SS WATER CONTAINER VALVE SPRING			13001453	996530069922	DISPLAY BOX ABC/T PSA POEMIA	TOP CEE
07	11024822	996530067981	BLACK HANDLE WATER CONTAINER ABC		38	11029997	996530073024	BLACK SB BOARD SUPPORT COVER ABC.	
08		421941302861	CHR/BLK FRONT PANEL S/SCR.SAE ABC/B ASSY	FOCUS	39	11024828	996530067992	SS GRATE FOR DRIP TRAY ABC/M-T	CLASS - TOP
		421941302851	CHR/SS FRONT PANEL S/SC.SAE ABC/M-T ASSY	CLASS - TOP	40	11024301	996530067434	ADHES.SILVER PLATE LOGO PHILIPS	CLASS - TOP
09	11026924	996530067961	BLACK ALUM. PRES.FILTERHOLDER ABC ASSY.		41	11011406	996530006054	ADHES.SILVER PLATE LOGO SAECO P0057	CLASS - TOP
10	123591309	996530011272	BRASS SPACER FOR PRES.FILTERHOLDER		42	15003441	996530073036	MANUAL PSA POEMIA SB ABC 12L.WE	
11	129730721	996530013032	TCB SCREW PZ/SW 4X12 UNI 8112 SS			15003442	996530073043	MANUAL PSA POEMIA SB ABC 12L.CEE	
12	11025501	996530067966	BLACK PRES.FILTERHOLDER HANDLE ABC		43	11024827	996530067962	BLACK DRIP TRAY ABC/B-M	FOCUS CLASS
13	11025502	996530067996	CHROM FILTERHOLDER HANDLE CAP ABC			11027795	996530069923	SS/SILVER DRIP TRAY ABC/T ASSY	TOP
14	126769918	996530011684	SS SPRING FOR PRES.FILTERHOLDER PIN L=13		44	11029994	996530072996	STEEL CASING BOTTOM V2 ABC	
15	126768418	996530011667	SS.SPRING FOR CAM PRESS.FILTERHOLDER		45	11025503	996530067983	BLACK GROUND COFFEE MEASURE ABC	
16	229181800	996530031265	GREY PRES.FILTERHOLDER PIN SUPPORT ASSY.		46	13001377	996530068003	CARTON LOWER INSERT BOX ABC	
17	126835818	996530011811	SS.SPRING FILTERHOLD.HAND.PRES/MEC.		47	129912504	996530013147	SCREW TCB TORX 10 3,5X14 PLAST.ZN-N	
18	17000097	996530009582	ALUM/POL.V2 PRES/MECC.FILTERHOLDER		48	129913902	996530013164	SCREW TCB TORX 10 3X12 PLAST.ZN-B	
19	145847762	996530015878	BROWN PRES.FILTERHOLDER CONVEYOR SEAL		49	148600600	996530017451	BLACK POWER CABLE CLAMP MAGIC ESP/COM.	
20	142862959	996530015136	GREY CONVEYOR HOLE 1,7 PRES.FILTERHOLDER		50	12000450	996530007819	SCREW TCB TORX 10 3,5X12 PLAST.ZN-N	
21	0701.031.150	996530044417	GREY WATER VALVE GACO DIM 14 SEAL COVER		51	145842900	996530015823	NBR WATER CONT.VALVE GACO DIM14 SEAL	
22	124650221	996530011332	2CUP FILTER 54,5X25 W/O.NOT.HOLE D=48		52	DM0814	996530054358	STEEL SPRING FOR KNOB TYMER	
23	20007036	996530069505	SPARES KIT POD FILTER + SPRING ABC		53	13001520	996530070487	CARTON UPPER INSERT BOX ABC	
24	11029993	996530073039	BLACK CASING V2 ABC	FOCUS - CLASS	54	13001497	996530070505	CARTON CENTRAL INSERT BOX ABC	
		11030377	SS/SILVER CASING V2 ABC/T ASSY.	TOP	55	13001496	996530070503	CARTON FILTERHOLDER PROTECT.INSERT ABC	
25	11024798	996530067998	BLACK WATER CONTAINER LID ABC/B-M.	FOCUS - CLASS	56	11028902	996530072995	CPU+SW ECO-SWITCH RELE DRIV.KBO 230V ASS	
		11027797	SS/GREY WATER CONTAINER LID ABC/T ASSY	TOP	57	11029996	996530073001	BLK SB BOARD SUPPORT ABC	
26	11024829	996530067988	BLACK CASING COVER ABC/B-M	FOCUS	58	11029644	996530070492	NOMEX PROTECTION FOR ROTARY SWITCH ABC	
		11027796	SS/GREY CASING COVER ABC/T ASSY.	TOP					
		11029357	SS/BLACK CASING COVER ABC/M ASSY.	CLASS					
27	147623750	996530016889	BLACK ROUND FOOT						
28	11001769	996530001012	BLACK PANNARELLO COVER P0049	FOCUS					
		11001621	SS PANNARELLO COVER P0049	CLASS - TOP					
		11001620	BLACK PANNARELLO INNER TUBE P0049						
29		996530000925	BLK/SIL.STEAM TUBE HANDGRIP G0053						
30		421941300671	GUARN.H=11,3 60SH PORTAF.PRES.MEC/CAL.IN						
31	11025662	996530067977	421946000851						
32		421946000851	BLK POWER CABLE SCHUKO L=850						
33	11026889	996530067957	GREEN NEON LAMP ABC						
34	11028459	996530070502	BLACK REAR LOWER CASING COVER ABC	FOCUS - CLASS					
		11029464	GREY REAR LOWER CASING COVER ABC	TOP					
35	12001755	996530073037	ROTARY SWITCH R11CX1200 ABC						
36	12001819	996530073042	BLACK ON-OFF BIPOLAR SWITCH KBO						



PHILIPS

Saeco

HD8423/01-09 HD8425/01-09
HD8427/01-09Cod. 10004290-4291-4292-4293
10004295-4296

POS	CODE	12NC	DESCRIPTION	NOTE	POS	CODE	12NC	DESCRIPTION	NOTE
01	17000512	996530067964	L-F/BRASS V2 STEAM FAUCET ABC ASSY.		44	149205850	996530018056	BLACK TYPE ULKA PUMP W/BEVEL SUPPORT	
02	9011.144	996530048885	SS FORK FOR TUBE D=4		45	126764018	996530011619	SS SPRING D=1 STEAM TUBE HOLDER JUN.	
03	11025139	996530067991	L-F/BRASS STEAM FAUCET FOR SS BOILER ABC		46	11007493	996530004363	T CONNECTOR FOR BOILER P604	
04	WGADM0041/031	996530063888	OR 2018 VITON 70 SH		47	147920150	996530017348	90° INLET PUMP CONNECTOR	
05	11024775	996530068004	L-F/BRASS FAUCET SHAFT SS.BOILER NEWGEN		48	140321961	996530013471	O-RING 2031 TERMOIL	
06	123160502	996530011189	GALVANIZED NUT M5 HIGH UNI 5587-68						
07	17000384	996530067958	POLISHED FILTERHOLD.LOCKING RING ABC ASS						
08	129854021	996530013107	TSP SCREW M4X8 UNI 7688 SS						
09	123741421	996530011292	PERCOLATOR DE =48,8 SS BOILER JACOBS						
10	145841500	996530015809	BLACK FILTERHOLDER SEAL						
11	11023968	996530067994	SS VALVE HOLD SCREW SS BOILER						
12	EF0013	996530055395	SS SPRING 5-7 BAR FOR BOILER VALVE						
13	149450588	996530018311	65SH SILICONE BOILER SEALING VALVE						
14	17000436	996530067971	SS.LOWER BOILER CASING+SS HUB						
15	11023931	996530067979	SS INTERNAL TUBE FOR SS BOILER						
16	140322962	996530013489	O-RING 176 SILICONE						
17	11024000	996530067973	HEAT ELEMENT+ SS TERMINAL 230V-900W						
18	NM01.021	996530059385	SILICONE OR 2050						
19	11023888	996530067999	SS NUT 1/8 GAS H=6 CH=14						
20	17000501	996530067993	SS M8 UPPER BOILER CASING W/BACKET						
21	129680802	996530013006	GALVANIZ.SCREW WITH WASHER TE M5X20						
22	140323062	996530013492	O-RING 2043 SILICONE						
23	140322162	996530013476	O-RING 2037 SILICONE						
24	17000444	996530067959	SS THREAD STRAIGHT FIT.FOR SS.BOILER ABC						
25	189422000	996530026907	THERMOSTAT 95° 1NT-01L-0036						
26	189425100	996530026928	THERMOSTAT 127° 1NT-01L-0499						
27	17000988	996530067968	SS BOILER 2THERM.FIXING SPRING						
28	128311204	996530012352	BURN.WASHER UNI 8842 A12						
29	123452000	996530011231	BRASS NUT M12 X1,25 H= 4,5						
30	17000511	996530067965	SS THREAD CONNECTOR FAUCET/SS.BOILER ABC						
31	123390420	996530011211	BRASS NUT 1/8 GAS H=4.5 CH=13						
32	17800499	996530073038	WIRING V2 ABC ASSY.						
33	189300800	996530026889	THERMAL FUSE 184°C 15 A						
34	289200100	996530035365	THERMAL. PROTECT.120°C CABL.121/121						
35	12000892	996530007947	OETIKER CLAMP D=9,5 16700004						
36	12000833	996530007915	DEFOND PUMP P-50 A2P GW 230V-50HZ						
37	11025482	996530073004	PLAST-BR/L-F SAFETY VALVE 16-18 BAR ASSY						
38	16000380	996530009505	5X8,9 SILICONE TUBE	IN ROLL					
39	149361400	996530018281	TRANSP.SILICONE TUBE 5X9 65SH	IN ROLL					
40	11029298	996530073016	TEFLON TUBE 4,2X0,38 L= 80 MM						
41	11024852	996530067984	SS STEAM TUBE ABC ASSY.						
42	11029995	996530073019	BLACK BOILER AND PUMP SUPPORT V2 ABC						
43	12000450	996530007819	SCREW TCBR TORX 10 3,5X12 PLAST.ZN-N						