

PHILIPS

**HD8648/01 HD8650/01
HD8650/01-05-06-07-09
HD8650/11-19-21-27-29**



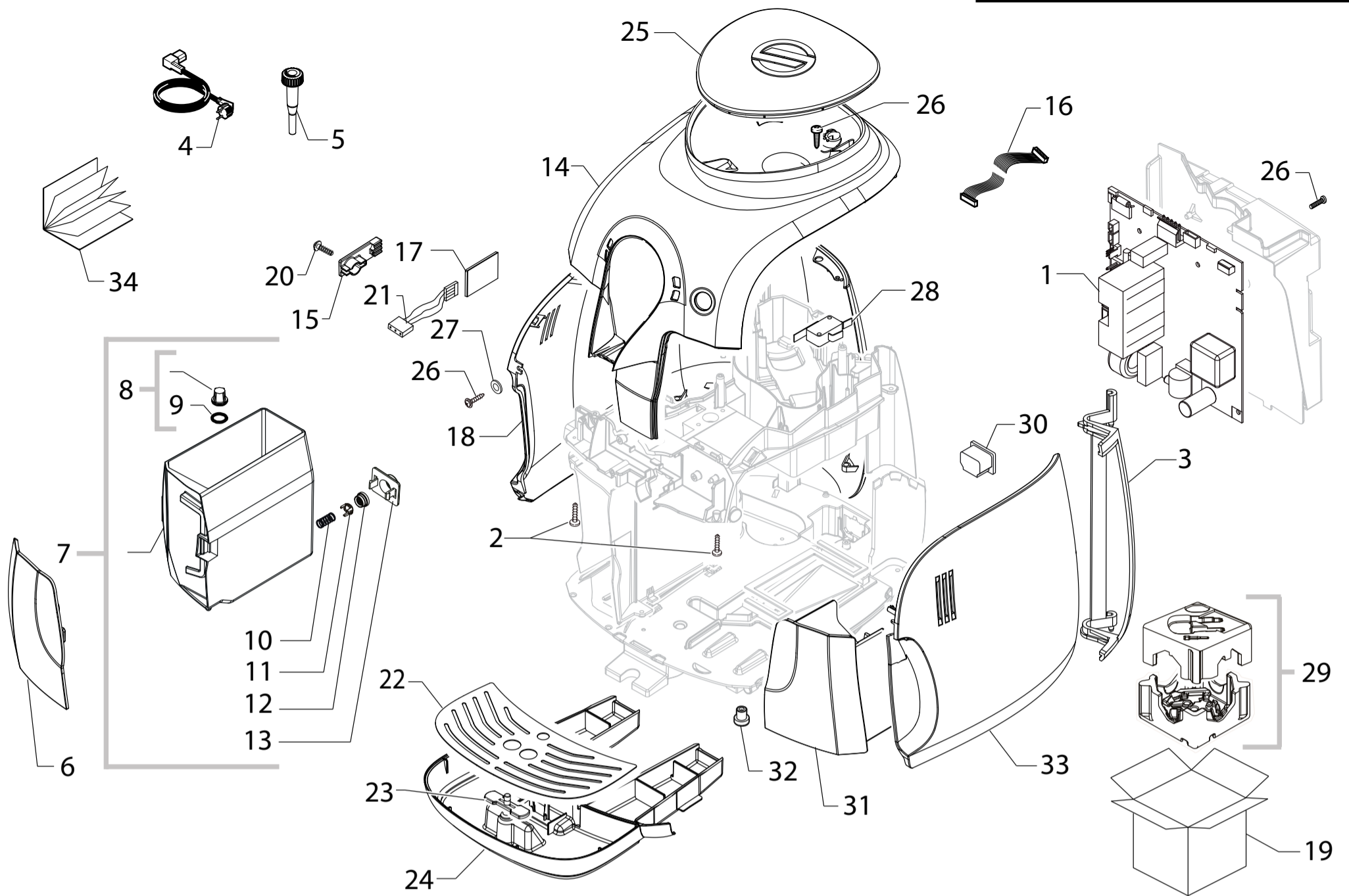
**Cod.882864801870-882865001020
Cod.882865001010-005470- 006660-007710-009300
Cod.882865011010-019300-021010-027710-029300**

POS	CODE	12NC	DESCRIPTION	NOTE	POS	CODE	12NC	DESCRIPTION	NOTE
01		421941307201	CPU+SW XS4 PHILIPS ASSY.		21	11013709	996530006833	3POLES CONNECTOR WATER LEVEL XSM UL	
		421941307261	CPU+SW XS4 PHILIPS 120V ASSY.	HD8650/06	22		421944023221	SS DRIP TRAY GRATE XS4	
02	12001728	9965300070321	SCREW TCBR TORX 10 3,5X12 PLAST.SS		23		421944032571	RED/BLK FLOAT FOR DRIP TRAY XS4	
03	11004139	996530002081	BLACK HINGE FOR DOOR P0057		24		421944033791	BLK DRIP TRAY XS4	
04		421946001591	BLK POWER CABLE SCHUKO L=800				421944031141	BEIS DRIP TRAY XS4	For HD8648/01-HD8650/01-05-06-07-09
	11001985	996530001089	BLK POWER CABLE KOREA L=1200				421944031131	REDJ DRIP TRAY XS4	For HD8650/11-19
	11004246	996530002166	BLK POWER CABLE TAIWAN HVCTF L=1200						For HD8650/21-27-29
	11004247	996530002166	BLK POWER CABLE RVV 3X1 CHINA L=1200		25		421944035851	NAT/GRY BEAN COF.CONTAINER LID V2 P0057	
05	11003785	996530001908	BLACK GRINDER ADJUSTMENT KEY P0049		26	12000450	996530007819	SCREW TCBR TORX 10 3,5X12 PLAST.ZN-N	
06	11014306	996530007065	BLACK WATER CONTAINER FRONT COVER P0057		27	128382002	996530012376	FLAT WASH.DI=3,7 DE=11 SP=0,8 GALV.	
		421944031921	BEIS WATER CONT.FRONT COVER XS4		28	12001890	996530073209	MICROSWITCH XG/V3D	
		421944031931	REDJ WATER CONT.FRONT COVER XS4		29	20006888	996530067705	KIT TYPE "A" PS-E INSERT FOR BOX P0057	
			For HD8650/11-19		30	12001883	996530072437	CUP SOCKET V3 EN 60320 C 13	
			For HD8650/21-27-29		31	11014308	996530007067	BLACK DUMP BOX P0057	
07	11006058	996530003326	NAT/GREY WATER CONTAINER P0057 ASSY.				421944031941	BEIS DUMP BOX XS4	For HD8648/01-HD8650/01-05-06-07-09
08	224640200	996530029115	WHITE WATER CONTAINER EXT.FILTER ASSY.				421944031951	REDJ DUMP BOX XS4	For HD8650/11-19
09	140328461	996530013571	OR ORM 0190-10 EPDM						For HD8650/21-27-29
10	11003672	996530001831	SS SPRING FOR WATER CONTAIN.VALVE P0049		32	147622800	996530016875	TRANSPARENT SILICONE FOOT	
11	11003673	996530001832	GREY WATER CONTAINER VALVE INSERT P0049		33		421944026331	INK DOOR P0057	For HD8648/01-HD8650/01-05-06-07-09-21-29
12	11003671	996530001829	TRANSP.VALVE FOR WATER CONTAINER P0049				421944031971	WHIS DOOR XS4	For HD8650/11-19
13	11001298	996530000733	BLACK LID FOR DUCKBILL VALVE P0049		34		421946017321	MANUAL HD8650 XS4/A PHI IT	
14		421944035941	BLK UPPER COVER CASING S/SCR.XS4/A PHI				421946017341	MANUAL HD8650 XS4/A PHI DE	
		421944041981	BEIS UP.COVER CASING S/SCR.XS4/A PHI				421946017361	MANUAL HD8650 XS4/A PHI FR	
		421944041971	REDJ UP.COVER CASING S/SCR.XS4/A PHI				421946018041	MANUAL HD8650 XS4/A PHI NL	
			For HD8650/11-19				421946021041	MANUAL PHI 2000/A CEE PL-HU-RO	
15	17000064	996530067437	BLK CAPACIT.SENSOR DEADLOCK INSERT XSM				421946021051	MANUAL PHI 2000/A CEE CS-SK-SL	
16	11005128	996530002766	16POLES CPU-USER INTERF.FLAT CABLE P0057				421946021061	MANUAL PHI 2000/A CEE CR-SR-BG	
17		421941306721	CPU+SW WATER LEVEL SENSOR V3 ASSY.				421946020981	MANUAL PHI 2000/A WE FR-ES-PT	
18		421944026341	INK LEFT SIDE COVER P0057				421946020991	MANUAL PHI 2000/A WE NL-NO-SV	
		421944031991	WHIS LEFT SIDE COVER XS4				421946021001	MANUAL PHI 2000/A WE EN-IT-DE	
			For HD8648/01-HD8650/01-05-06-07-09-21-29				421946020221	MANUAL PHI 2000/A WE FI-DA-GR	
19		421946026771	DISPL.BOX V2 PHI 2000/A	All					
20	129913202	996530013156	SCREW TCB TORX 10 3X8 PLAST.ZN-B						

PHILIPS

PHI 2000 PURO

TABLE 1a/6



PHILIPS

HD8648/01 HD8650/01
 HD8650/01-05-06-07-09
 HD8650/11-19-21-27-29

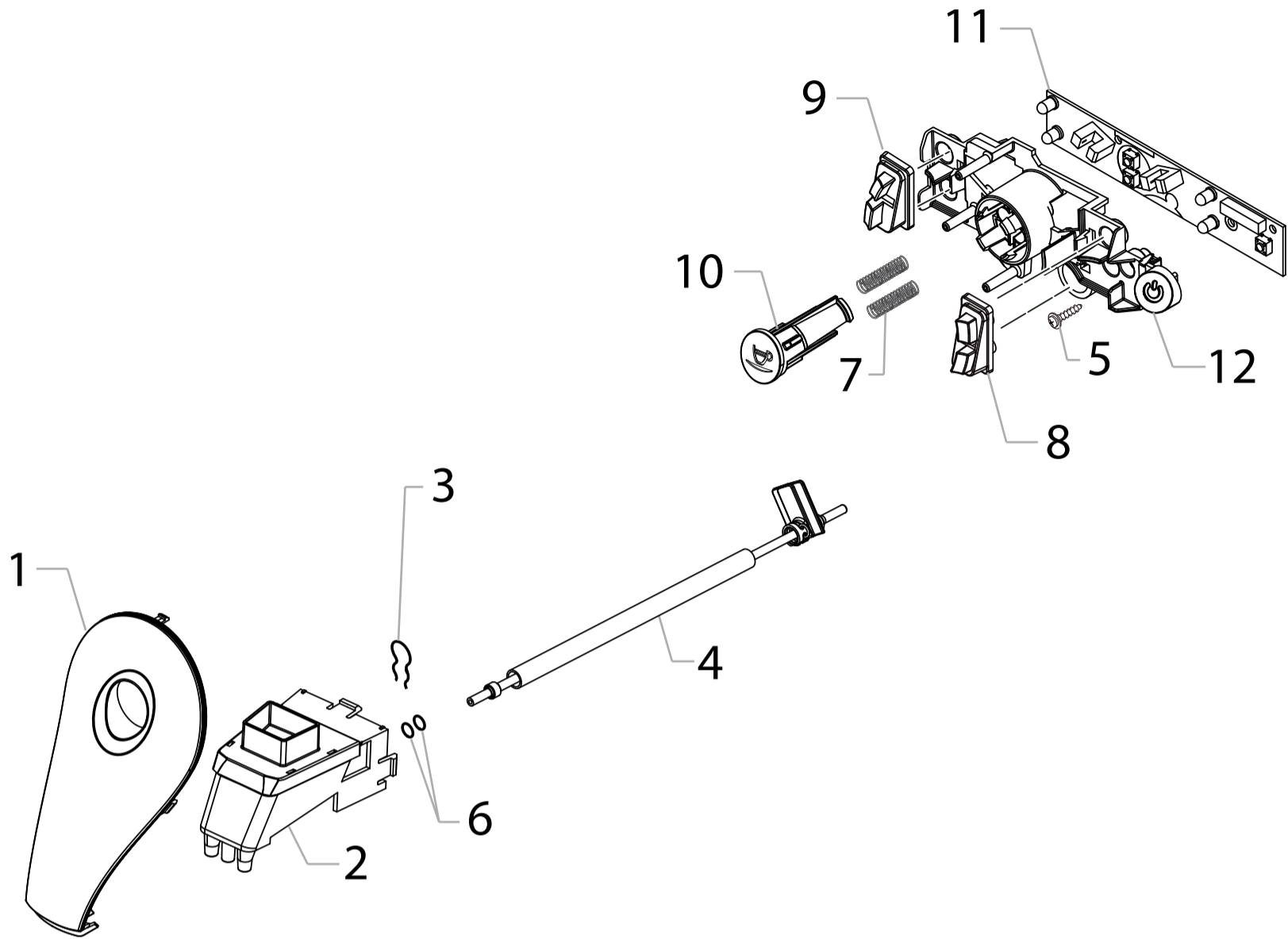


Cod.882864801870-882865001020
 Cod.882865001010-005470- 006660-007710-009300
 Cod.882865011010-019300-021010-027710-029300

POS	CODE	12NC	DESCRIPTION	NOTE	POS	CODE	12NC	DESCRIPTION	NOTE
34		421946022201	MANUAL PHI 2000/A RU-UA-KK						
		421946022581	MANUAL PHI 2000/A EN-KR						
		421946022571	MANUAL PHI 2000/A EN-CN-TW						

PHILIPS

PHI 2000 PURO



PHILIPS

HD8648/01 HD8650/01
 HD8650/01-05-06-07-09
 HD8650/11-19-21-27-29

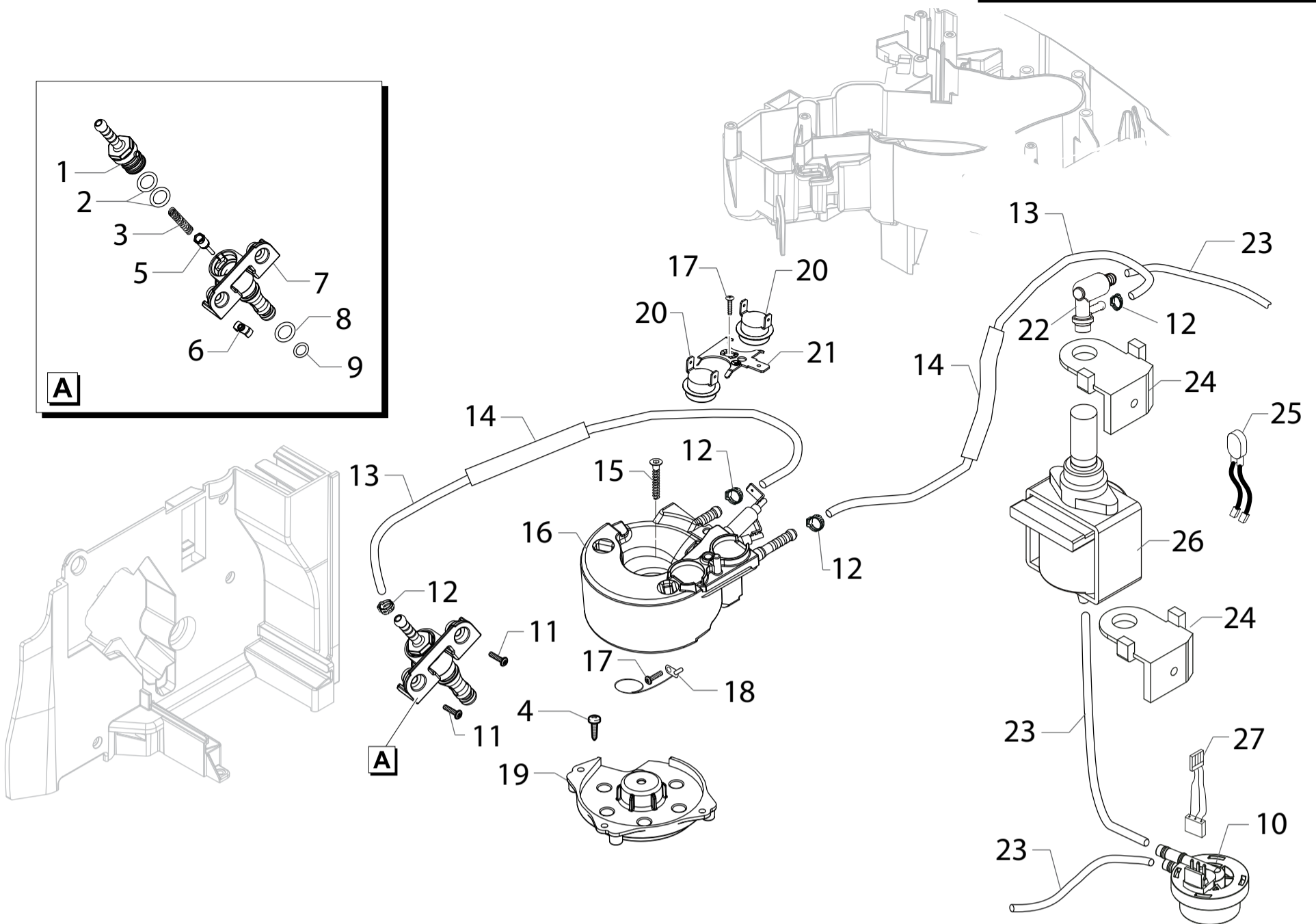


Cod.882864801870-882865001020
 Cod.882865001010-005470- 006660-007710-009300
 Cod.882865011010-019300-021010-027710-029300

POS	CODE	12NC	DESCRIPTION	NOTE	POS	CODE	12NC	DESCRIPTION	NOTE
01		421944033991	BLK CONTR.KNOB COVER N/S/SCR.XS4/A						
02	11011280	996530006014	BLACK COFFEE DISPENSER P0057 ASSY.						
03	9011.144	996530048885	SS FORK FOR TUBE D=4						
04	11031203	996530073357	TEFL.TUBE 2X4 L=235+PLATE+2BUSH NPR ASSY						
05	12000450	996530007819	SCREW TCBR TORX 10 3,5X12 PLAST.ZN-N						
06	140328059	996530013564	OR 2015 SILICONE PTFE/FDA						
07	11008956	996530005133	SS DOOR LOCK SPRING G0053						
08	11013012	996530006584	TRANSP/PMMA RIGHT GUIDE LIGHT P0057						
09	11014222	996530007046	TRANSP.LEFT GUIDE LIGHT V2 P0057						
10		421944033831	BLK COF.BUTTON S/SCR.XS4/A						
11		421941306651	KYB BOARD XS4/A						
12		421944026031	TRANSP.TOUCH PANEL S/SCR.XS4						

PHILIPS

PHI 2000 PURO



PHILIPS

**HD8648/01 HD8650/01
HD8650/01-05-06-07-09
HD8650/11-19-21-27-29**



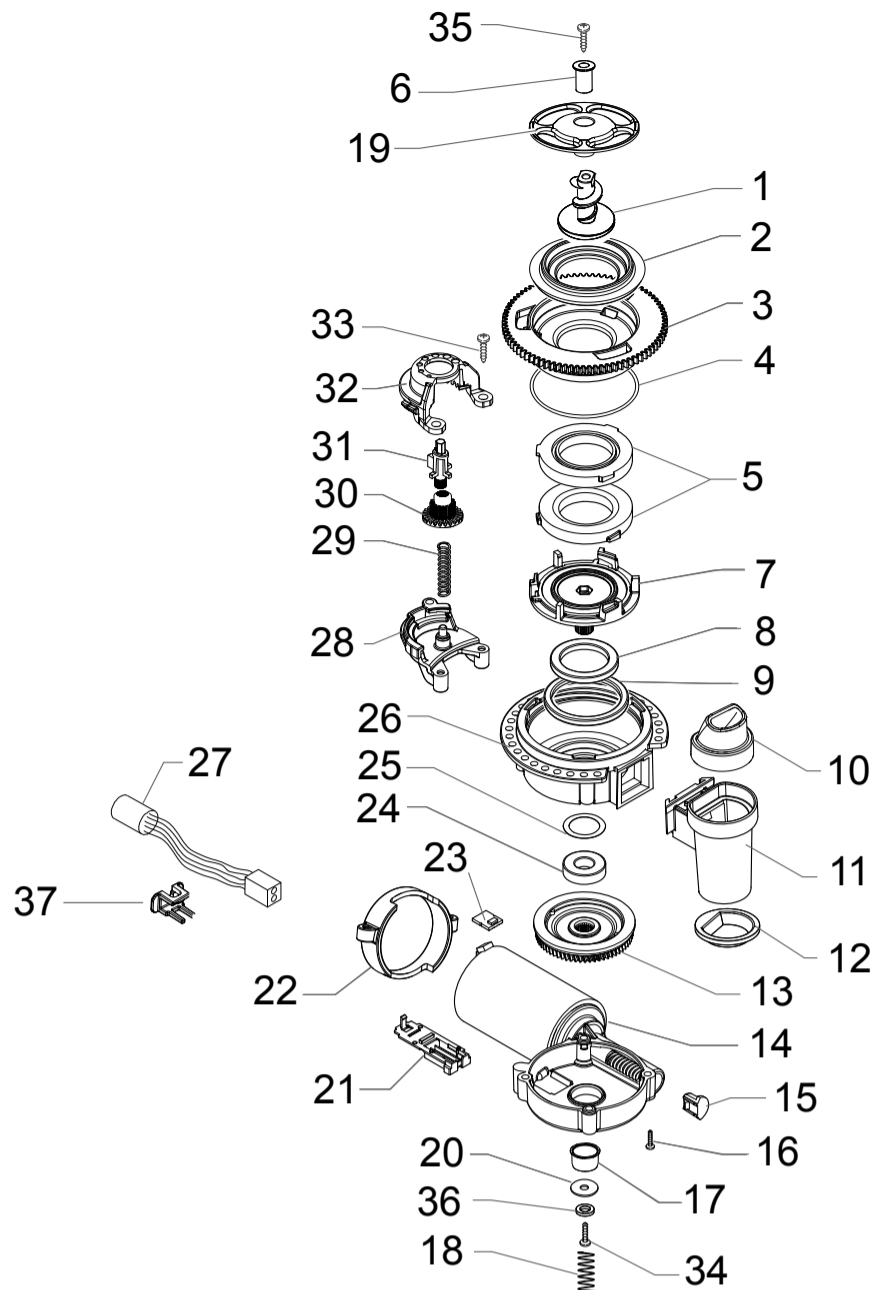
**Cod.882864801870-882865001020
Cod.882865001010-005470- 006660-007710-009300
Cod.882865011010-019300-021010-027710-029300**

POS	CODE	12NC	DESCRIPTION	NOTE	POS	CODE	12NC	DESCRIPTION	NOTE
01		421944022891	CONNECT.FOR PIN FLOW SELECTOR FAUCET XS4						
02	140320762	996530013454	O-RING 108 SILICONE						
03	9011.132	996530048874	SS SPRING FOR PIN						
04	12000450	996530007819	SCREW TCB TORX 10 3,5X12 PLAST.ZN-N						
05	11009019	996530005183	TEA/BRASS PISTON L=20,9 ASSY.						
06	11005099	996530002747	NATURAL CURSOR V2 FOR BOILER P119						
07		421944059861	PIN FOR FLOW SELECTOR FAUCET V2 XS4						
08	NM01.035	996530059399	OR ORM 0090-20 SILICONE						
09	NM01.057	996530059419	OR ORM 0050-20 IN SILICONE						
10	NV99.099	996530059843	TURBINE D=1,2 932-8521/00 ASSY.						
11	12001728	996530070321	SCREW TCB TORX 10 3,5X12 PLAST.SS						
12	12000892	996530007947	OETIKER CLAMP D=9,5 16700004						
13	16000380	996530009505	5X8,9 SILICONE TUBE	IN ROLL					
14	16000540	996530009523	TRANSPAR.11X12,8 SILICONE TUBE	IN ROLL					
15	12001280	996530008024	SCREW TSP TORX 10 5X20 PLAST.ZN-B						
16		421944024121	TUB.BOILER XS4 ASSY.	230V-1300W					
		421944046121	TUB.BOILER XS4 ASSY.	120V-1300W					
17	12001715	996530069758	SCREW TCB TORX 20 M4X8 AUTOFORMING ZN-B						
18	190800100	996530026997	TEMPERATURE SENSOR NTC UL L=280MM						
19		421941215942	BLK SLIM/EXSL TUB.BOILER SUPPORT V2						
20	12001033	996530007973	THERMOSTAT ONE SHOT 190°						
21	11001751	996530000997	TUB.BOILER V3 UPPER THERM.FIXING SPRING						
22	11004689	996530002484	TEA/BRASS SAFETY VALVE 16-18 BAR ASSY.						
23	JS01.022	996530057357	SILICONE TUBE 5X10 60SH	IN ROLL					
24	149205850	996530018056	BLACK TYPE ULKA PUMP W/BEVEL SUPPORT						
25	11009747	996530005496	2POLES CONNECTOR PUMP P0057 UL						
26		421941305991	ULKA PUMP EP5FMGW	230V-50HZ					
	12000140	996530007753	ULKA PUMP EP5/S GW	230V-50HZ					
	12000142	996530007754	ULKA PUMP EAP5/S	120V-60HZ					
	12000182	996530007782	ULKA PUMP EP5/S GW	220V-60HZ					
27	11005948	996530003241	3POLES CONNECTOR FLOWMETER P0057						
		421944025601	GEN.TUB.BOILER XS4 ASSY.	230V-1300W					
		421944046141	GEN.TUB.BOILER XS4 ASSY. WITH PART.N°20-21-22-24-25	120V- 1300W					

PHILIPS

PHI 2000 PURO

TABLE 3/6


PHILIPS
**HD8648/01 HD8650/01
HD8650/01-05-06-07-09
HD8650/11-19-21-27-29**

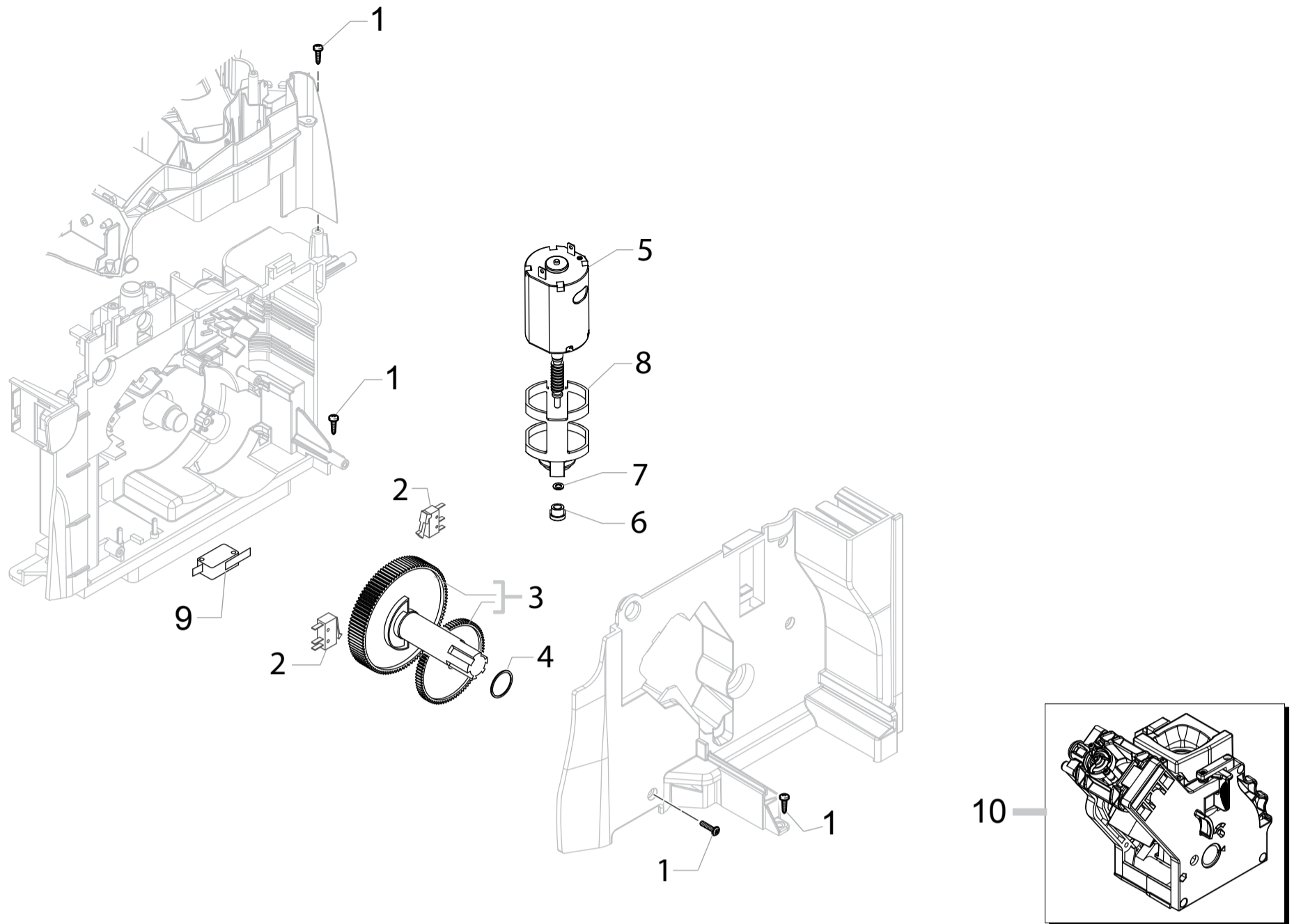

Cod.882864801870-882865001020

Cod.882865001010-005470- 006660-007710-009300

Cod.882865011010-019300-021010-027710-029300

POS	CODE	12NC	DESCRIPTION	NOTE	POS	CODE	12NC	DESCRIPTION	NOTE
01	11010031	996530005586	TEA/ZAMA INCREASE SCREW GRINDER		37	17001921	996530072477	BLK WIRING FIX INSERT FOR GRINDER BOARD	
02	145857062	996530015992	COFFEE GRINDER SEAL P119						
03		421941094152	BLK COF.GRINDER UPPER GRINDER SUPPORT V2			11006059	996530003327	GEN.MOTOR COF.GRINDER STD P0057 ASSY	230V
04	140328960	996530013577	OR ORM 0530-15 NBR FDA			11013028	996530006587	GEN.MOTOR COFF.GRINDER P0057 ASSY.	120V
05	146520100	996530016342	BAKED CLAY GRINDER 48X28						
06	11012466	996530006412	BRASS BUSH BEAN CONT.FINGER PROTEC.P0057						
07	149198350	996530017952	BLK LOWER COFFEEGRINDER GRINDER SUPPORT						
08	123030300	996530011183	AXIAL BEARING EKKO 342.35252						
09	140360500	996530013597	FELT RING 45,4X39,4X4						
10	11006226	996530003441	BLACK BREW UNIT CONDENSE CONVEYOR P0057						
11	11026355	996530068049	BLK GROUND COFF.OUTLET CONVEYOR V4 ASSY.						
12	11030459	996530072511	GRY GROUND COFFEE CONT.LOWER SEAL SMART1						
13	226000300	996530029609	GEAR SX Z=38 FOR GRINDER MOTION ASSY.						
14	11000513	996530000317	MOTOR COFFEEGRINDER V3.1 ASSY.	230V					
	11000511	996530000315	MOTOR COFFEEGRINDER V3.1 ASSY.	120V					
15	149214800	996530018139	MC V3 MOD=1,25 WORM SCREW CENTRING CAP						
16	129661702	996530012992	SCREW TCB TORX 3,5X30 PLAST.ZN-B						
17	11002873	996530001389	INSULATOR BUSH FOR GRINDER MOTOR P124						
18	11000597	996530000376	STEEL COF.GRINDER SUPPORT SPRING P124						
19	11012237	996530006334	BLACK BEAN CONTAIN.FINGER PROTECT.P0057						
20	128381902	996530012375	STEEL FLAT WASHER DI=4,3 DE=14 SP=1,5						
21	149199050	996530017963	BLK SENSOR SUPPORT FOR COF.GRINDER MOTOR						
22	11000194	996530000115	BLACK COFFEEGRINDER MOTOR SUPPORT P124						
23	181540900	996530022784	ELECTR.BOARD WITH SENSOR HAL506 SF-K						
24	123030200	996530011182	RADIAL BEARING 61900.2RS1						
25	128381800	996530012374	STEEL CRINKLE WASHER 21,8X14X0,25						
26	142905450	996530015258	BLK UPPER BODY WITH COFFEE GROUND OUTLET						
27	11008871	996530005073	3 POLES CONNECTOR MC SENSOR S0053 UL						
28	11002613	996530001314	LOWER COFFEEGRINDER GEAR SUPPORT P124						
29	11002572	996530001308	COFFEEGRINDER REGULATION SPRING P124						
30	11003784	996530001907	COFFEE GRINDING ADJUSTMENT GEAR P0049						
31	11003446	996530001673	BLACK BEAN COFFEE GRINDER INSERT P0049						
32	11002508	996530001296	UPPER COFFEEGRINDER GEAR SUPPORT P124						
33	129914002	996530013165	SCREW TCB TORX 10 3,5X16 PLAST.ZN-B						
34	129574802	996530012928	SCREW TCB TORX 20 M4X30 ZN-B						
35	U043.004	996530061808	ZN-B TCB SCREW M4X16						
36	128310402	996530012341	GALV.WASHER UNI 8842 A4						

PHILIPS
PHI 2000 PURO
TABLE 4/6



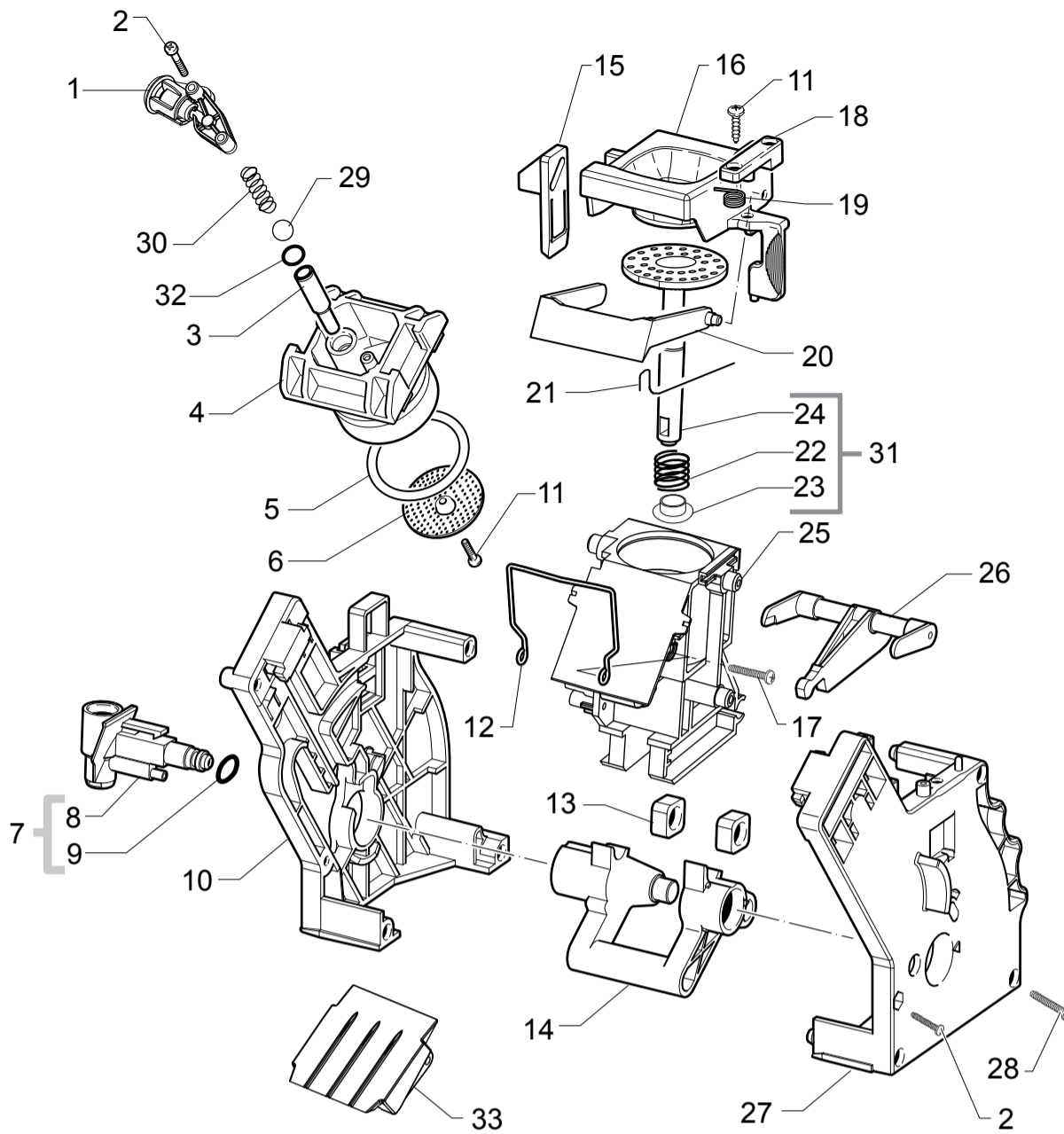
PHILIPS

**HD8648/01 HD8650/01
HD8650/01-05-06-07-09
HD8650/11-19-21-27-29**



**Cod.882864801870-882865001020
Cod.882865001010-005470- 006660-007710-009300
Cod.882865011010-019300-021010-027710-029300**

POS	CODE	12NC	DESCRIPTION	NOTE	POS	CODE	12NC	DESCRIPTION	NOTE
01	12001728	996530070321	SCREW TCBR TORX 10 3,5X12 PLAST.SS						
02	12001841	996530073474	MICROSWITCH XC/SM1						
03	20000900	996530009913	SPARES KIT GEARS FOR RATIOMOTOR V2						
04	9161.132	996530050569	MYLAR WASHER FOR RATIOMOTOR						
05	11003037	996530001426	MOTOR FOR RATIOMOTOR ASSY.						
06	9121.046	996530049898	BRONZE SINTERED BUSH FOR MOTOR RATIOMOT.						
07	148380200	996530017424	BAKELIZZATE WASHER D=5,5						
08	9121.044	996530049896	ANTIVIBRATION FOR MOTOR						
09	12001890	996530073209	MICROSWITCH XG/V3D						
10		421944057511	BLK BREW UNIT 8GR.8BAR XS4						



PHILIPS

**HD8648/01 HD8650/01
HD8650/01-05-06-07-09
HD8650/11-19-21-27-29**



**Cod.882864801870-882865001020
Cod.882865001010-005470- 006660-007710-009300
Cod.882865011010-019300-021010-027710-029300**

POS	CODE	12NC	DESCRIPTION	NOTE	POS	CODE	12NC	DESCRIPTION	NOTE
01	11009362	996530005415	BLK COF.OUTLET SLEEVE BREW UNIT S0053 ASSY						
02	12000550	996530007838	SCREW TCB TORX 10 3X25 PLAST.SS						
03	11009276	996530005372	BLK COUNTER PISTON TUBE BREW UNIT S0053						
04	11001840	996530001046	BLACK COUNTER PISTON BREW UNIT 8GR.P124						
05	NM01.044	996530059406	OR ORM 0320-40 SILICONE PTFE/FDA						
06	9161.268	996530050709	PERCOLATOR DE=35,8 ELFO						
07	20000440	996530009825	BLACK WATER INLET SLEEVE BREW UNIT ASSY.						
08	9161.064.050	996530050488	BLACK WATER INLET SLEEVE BREW UNIT ROYAL						
09	NM02.007	996530059441	OR 2025 IN TERMOIL						
10	9161.375.050	996530050832	BLACK BREW UNIT REAR PLATE SMART						
11	12000895	996530007951	SCREW TSP TORX 10 3X10 PLAST.SS						
12	11001556	996530000898	SS BREW UNIT SPRING H=49 SMART						
13	9161.094.150	996530050541	GREY BREW UNIT DRILLED BLOCK						
14	9161.066.050	996530050492	BLACK BREW UNIT ELBOW SHAFT M5000						
15		421941065032	BLACK BREW UNIT COUPLING PLATE V2 SMART						
16	149261350	996530018241	BLACK HOPPER DOSER BREW UNIT SMART1						
17	129912521	996530013148	SCREW TCB TORX 10 3,5X14 PLAST.SS						
18	9161.374.050	996530050829	BLK BREWUNIT HOPPER BLOCKING PLATE SMART						
19	9161.378	996530050838	SS HOPPER SPRING FOR BREW UNIT SMART						
20	11004161	996530002096	BLACK SCRAPER FOR BREW UNIT M5000						
21	9161.046	996530050455	SS SCRAPER SPRING FOR BREW UNIT						
22	9161.198	996530050627	SS.8GR.BREW UNIT PISTON SPRING						
23	9161.191	996530050618	WHITE 8GR.-12GR.BREW UNIT PISTON BUSH						
24	11003077	996530001451	BLK BREW UNIT INTEGRAL PISTON 8GR.ASSY.						
25		421944040801	BLK BREW UNIT COFFEE CONT.V2 P124 ASSY.						
26	11003078	996530001452	BLACK CONNECTING ROD BREW UNIT 8GR.						
27	11005920	996530003228	BLACK BREW UNIT FRONT PLATE S/SCR.SMART						
28	12000897	996530007953	SCREW TCB TORX 10 3,5X20 PLAST.SS						
29		421944034451	BOROSILICATE SPHERE D.5 MM						
30	9161.222	996530050657	SS.CONICAL SPRING						
31	11023086	996530007577	BLK 8GR.BREW UNIT NTEGR.PISTON GEN.ASSY.						
32	140328761	996530013575	OR ORM 0060-15 TERMOIL						
33	17000737	996530073426	BLACK BREW UNIT CONVEYOR SLIDE L=56,3						
		421944057511	BLK BREW UNIT 8GR.8BAR XS4						

PHILIPS

PHI 2000 PURO