

Service Service Service



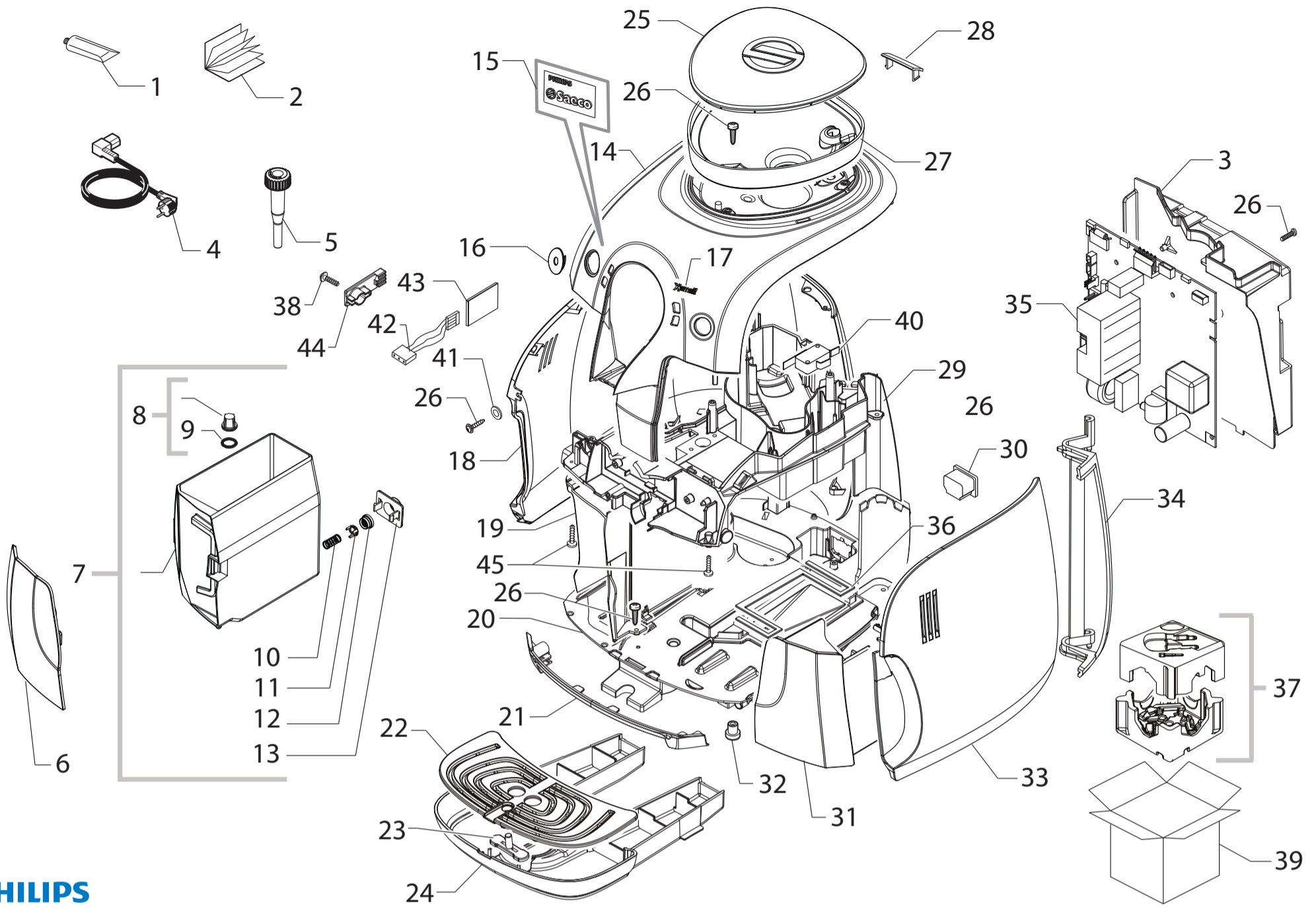
Exploded View

Contents

Table

External / Electronical components	1/6
Front panel / User interface	2/6
Water system with standard boiler	3/6
Water system with small boiler	4/6
Coffee grinder assembly	5/6
Gear motor / Brewing unit	6/6

All rights reserved. No part of this publication may be reproduced, stored in a retrieval system or transmitted, in any form or by any means, electronic, mechanical, photocopying, or otherwise without the prior permission of Saeco.



PHILIPS

Saeco

HD8743/11-12-13-15-16-17-19

HD8745/01-02-03-04-05-06-07-09-11-12-18-19-21-22-23-41-43-47

HD8747/01-02-03-09

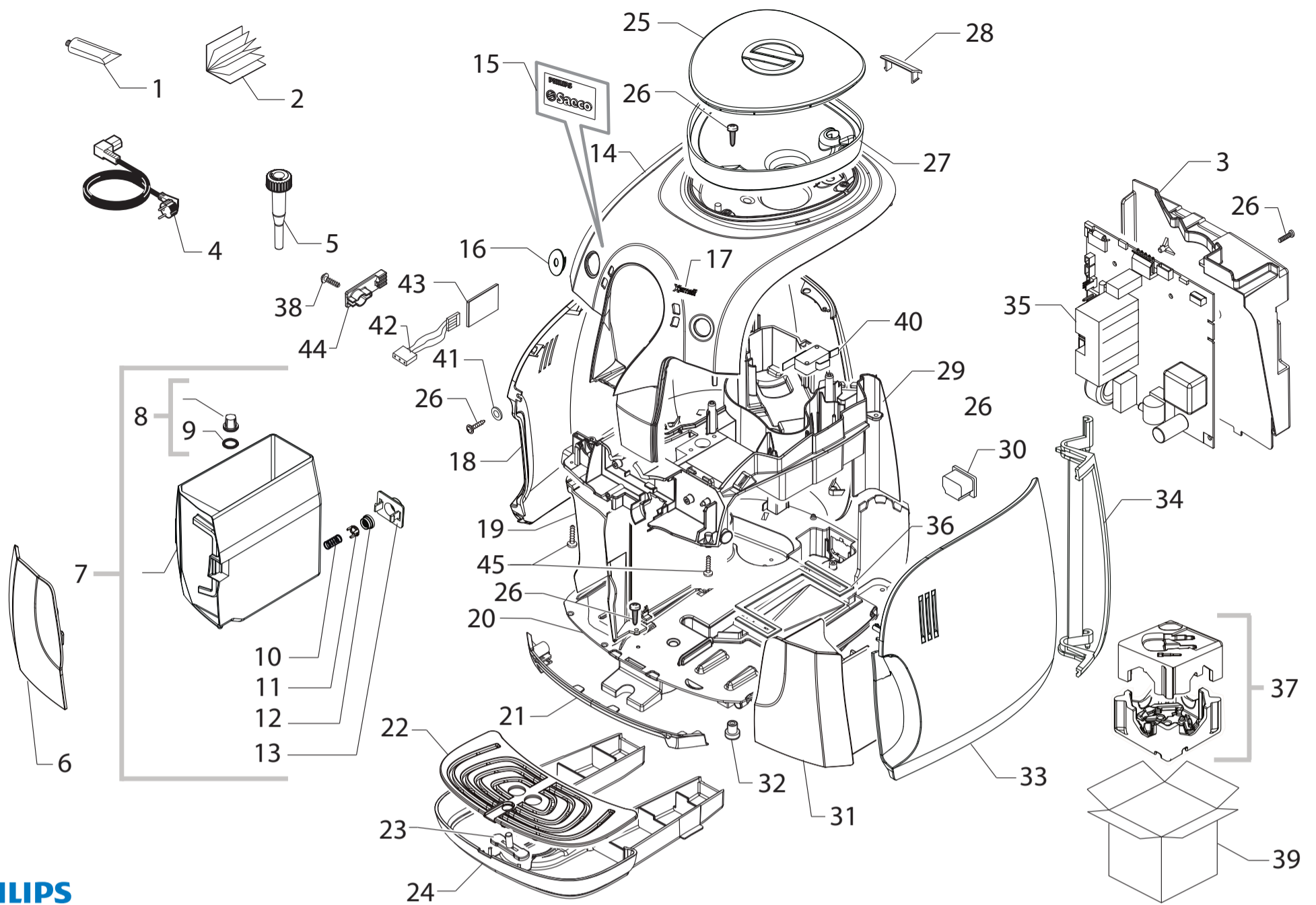


Cod.10003227-10003559-80-81-82-83-84-85-86-87-88

Cod. 10003589-90-91-92-93-94-95-10003600-01-02-33-34

Cod. 10003802-03-20-10003900-3934-4087

POS	CODE	DESCRIPTION	NOTE	POS	CODE	DESCRIPTION	NOTE
01	11028379	PSA KLUBER TRIBOSTAR SIL 2 TUBE 5GR.		06	11023610	GMS WATER TANK FRONT COVER P0057	
02	15002551	MANUAL PSA P0057 IT		07	11006058	NAT/GREY WATER CONTAINER P0057 ASSY.	
	15002552	MANUAL PSA P0057 GB		08	224640200	EXTERNAL FILTER FOR WATER CONTAINER ASSY	
	15002553	MANUAL PSA P0057 DE		09	140328461	EPDM OR METRIC 0190-10	
	15002554	MANUAL PSA P0057 FR		10	11003672	SPRING FOR WATER CONTAINER VALVE P0049	
	15002555	MANUAL PSA P0057 ES		11	11003673	GREY WATER CONTAINER VALVE INSERT P0049	
	15002556	MANUAL PSA P0057 PT		12	11003671	TRANSP.VALVE FOR WATER CONTAINER P0049	
	15002557	MANUAL PSA P0057 NL		13	11001298	BLACK LID FOR DUCKBILL VALVE P0049	
	15002558	MANUAL PSA P0057 SV		14	11021331	BLACK UPPER COVER CASING V2 S/SCR.P0057	
	15002559	MANUAL PSA P0057 NO			11014225	SILVER UPPER COVER CASING V2 P0057 S/SCR	
	15002560	MANUAL PSA P0057 FI			11023620	GMS UPPER COVER CASING V2 P0057 S/SCR.	
	15002561	MANUAL PSA P0057 DA		15	11025026	ADHES.SILVER PLATE LOGO PHILIPS-SAECO	
	15002562	MANUAL PSA P0057 GR		16	11021366	BLACK UPPER COVER CASING CAP P0057	
	15002563	MANUAL PSA P0057 PL		16	11010038	SILVER UPPER COVER CASING CAP P0057	
	15002564	MANUAL PSA P0057 RU			11023622	GMS UPPER COVER CASING CAP P0057	
	15002565	MANUAL PSA P0057 HU		17	11024470	ADHES.SILVER PLATE LOGO V2 XSMALL	
	15002566	MANUAL PSA P0057 CS		18	11006068	WHITE LEFT SIDE COVER P0057	
	15002567	MANUAL PSA P0057 SK			11004127	BLACK LEFT SIDE COVER P0057	
	15002568	MANUAL PSA P0057 UA			11023619	GMS LEFT SIDE COVER P0057	
	15002569	MANUAL PSA P0057 SL			11025585	VANILLA LEFT SIDE COVER P0057	
	15002570	MANUAL PSA P0057 RO		19	11014220	BLACK INSERT V2 FOR CASING BOTTOM P0057	
	15002571	MANUAL PSA P0057 CR		20	11012695	BLACK CASING BOTTOM V2 P0057	
	15002572	MANUAL PSA P0057 BG			17000607	BLACK CASING BOTTOM V3 P0057	
	15002573	MANUAL PSA P0057 SR				FROM S/N. TW901219198663	
	15002574	MANUAL PSA P0057 CHN		21	11014307	BLACK LOWER FRONT INSERT P0057	
	15002575	MANUAL PSA P0057 KOR			11004106	SILVER LOWER FRONT INSERT P0057	
	15002576	MANUAL PSA P0057 TWN			11023615	GMS LOWER FRONT INSERT P0057	
	15002738	MANUAL PSA P0057 SA		22	11005727	SILVER GRATE FOR DRIP TRAY P0057	
	15002984	MANUAL PSA P0057 PT/BRA			11023613	GMS GRATE FOR DRIP TRAY P0057	
03	11012301	BLACK PWR/CPU BOARD PROTECTION P0057		23	11013184	RED FLOAT FOR DRIP TRAY XSM	
04	183911050	BLACK POWER CABLE SCHUKO L=1200		24	11012694	BLACK DRIP TRAY V2 P0057	
	183930650	PO.CABL.CH BLACK 3X1 H05VV-F L=1200			11023611	GMS DRIP TRAY V2 P0057	
	183940650	BLACK POWER CABLE AUSTRALIA L=1200		25	11004123	NATUR/GREY BEAN COFF. CONTAINER LID P0057	
	11004246	BLACK POWER CABLE TAIWAN HVCTF L=1200		26	12000450	SCREW TCBR TORX 10 3,5X12 PLAST.ZN-N	
	11004247	BLACK POWER CABLE RVV 3X1 CHINAL=1200MM		27	11004125	NAT/GREY BEAN COFFEE CONTAINER P0057	
	11001985	BLACK POWER CABLE KOREA 3X1 L=1200		28	17000141	TRANSP.COVER INFRAREDS ACCESS P0057	
	183970350	BLK POWER CABLE 3X1 H05VV-F UK L=1200MM		29	11014221	BLACK COFFEE GRINDER PLATE V2 P0057	
	183921950	POWER CABLE SJT3 USA BLACK UL L=1200		30	12000280	CUP SOCKET EN 60320 C 13	
	17800019	BLACK POWER CABLE BRAZIL L=1200	220V	31	11014308	BLACK DUMP BOX P0057	
	17800330	BLACK POWER CABLE BRAZIL L=1200	127V		11004105	SILVER DUMP BOX P0057	
05	11003785	BLACK GRINDER ADJUSTMENT KEY P0049			11023616	GMS DUMP BOX P0057	
06	11014306	BLACK WATER TANK FRONT COVER P0057		32	147622800	TRANSPARENT SILICONE FOOT	
	11005756	SILVER WATER TANK FRONT COVER P0057					



PHILIPS

Saeco

HD8743/11-12-13-15-16-17-19

HD8745/01-02-03-04-05-06-07-09-11-12-18-19-21-22-23-41-43-47

HD8747/01-02-03-09

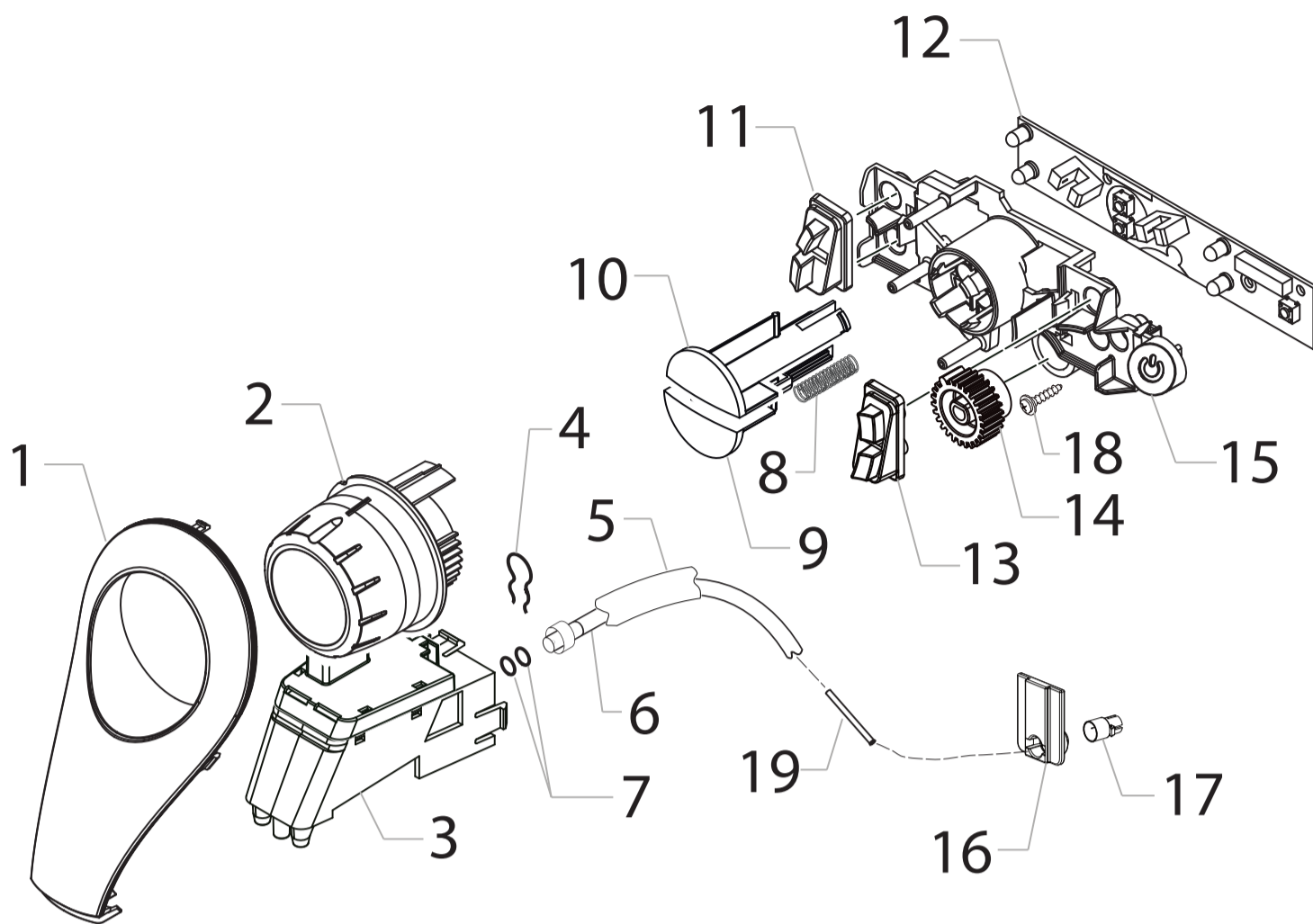


Cod.10003227-10003559-80-81-82-83-84-85-86-87-88

Cod. 10003589-90-91-92-93-94-95-10003600-01-02-33-34

Cod. 10003802-03-20-10003900-3934-4087

POS	CODE	DESCRIPTION	NOTE	POS	CODE	DESCRIPTION	NOTE
33	11004130	WHITE DOOR P0057					
	11004122	BLACK DOOR P0057					
	11023618	GMS DOOR P0057					
	11025586	VANILLA DOOR P0057					
34	11004139	BLACK HINGE FOR DOOR P0057					
35	11022509	CPU+SW P0057 XSMALL V4 ASSY.	230V - SLIM BOILER				
	11021357	CPU+SW P0057 XSMALL V2 ASSY.	120V				
36	11012102	ADHESIVE AERSTOP SP=1,6 MM P0057					
37	20006888	KIT TYPE "A" PS-E INSERT FOR BOX P0057					
38	129913202	SCREW TCB TORX 10 3X8 PLAST.ZN-B					
39	13001282	DISPLAY BOX PSA XSMALL/CL WE					
	13001283	DISPLAY BOX PSA XSMALL/CL CEE					
	13001284	DISPLAY BOX PSA XSMALL/ST WE					
	13001285	DISPLAY BOX PSA XSMALL/ST CEE					
	13001356	DISPLAY BOX PSA XSMALL CL USA					
40	NE05.013	MICROSWITCH					
41	128382002	FLAT WASH.DI=3,7 DE=11 SP=0,8 GALV.					
42	11013709	3POLES CONNECTOR WATER LEVEL XSM UL					
43	11000651	WATER LEVEL SENSOR BOARD P124					
44	17000064	BLACK CAPACITIVE SENSOR INSERT XSM					
45	12001728	SCREW TCB TORX 10 3,5X12 PLAST.SS					



PHILIPS

Saeco

HD8743/11-12-13-15-16-17-19

HD8745/01-02-03-04-05-06-07-09-11-12-18-19-21-22-23-41-43-47

HD8747/01-02-03-09



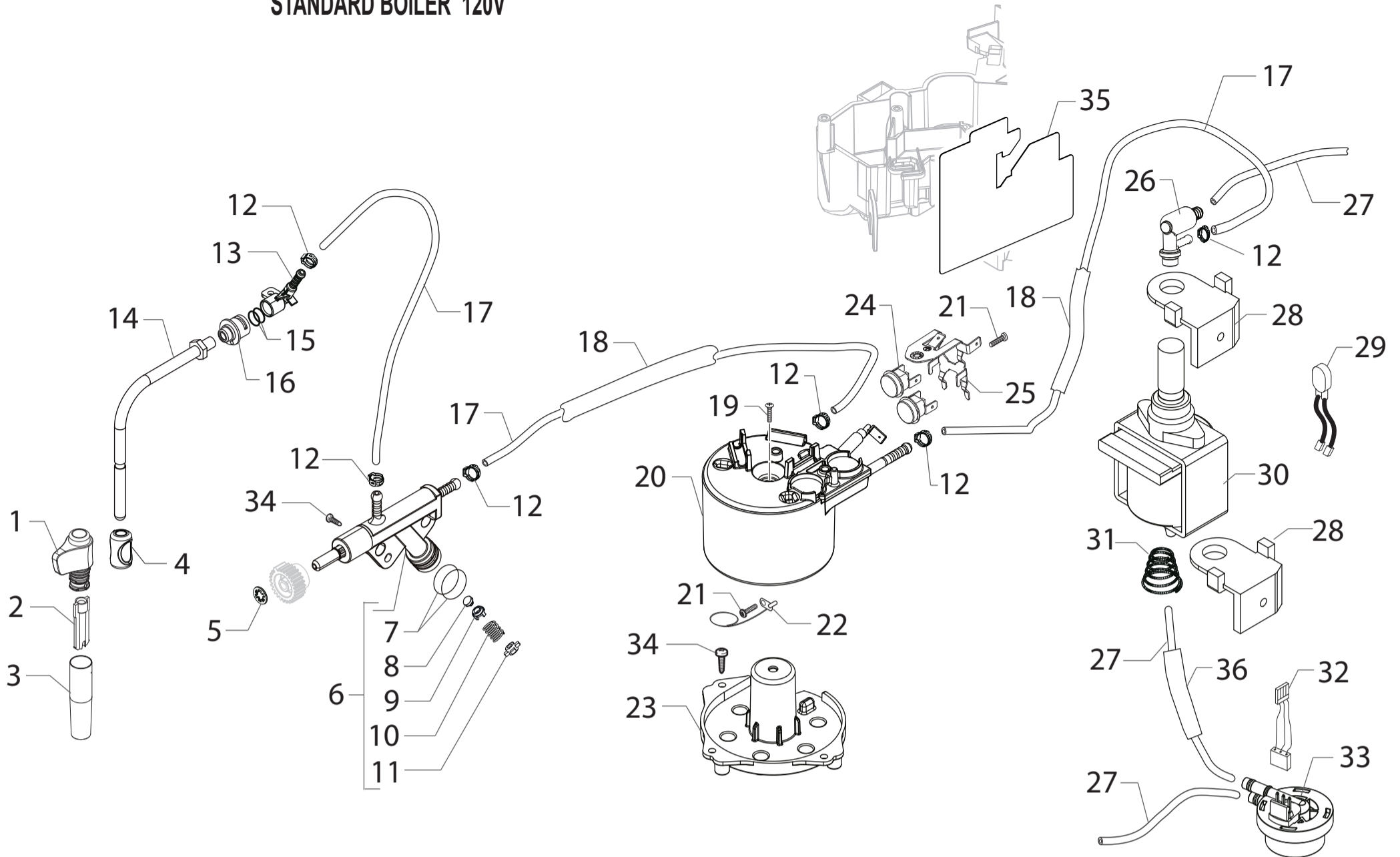
Cod.10003227-10003559-80-81-82-83-84-85-86-87-88

Cod. 10003589-90-91-92-93-94-95-10003600-01-02-33-34

Cod. 10003802-03-20-10003900-3934-4087

POS	CODE	DESCRIPTION	NOTE	POS	CODE	DESCRIPTION	NOTE
01	11021332	BLACK CONTROL KNOB COVER S/SCR.NEW P0057					
02	11021458	BLACK CONTROL KNOB V2 S/SCREEN P0057					
03	11011280	BLACK COFFEE DISPENSER P0057 ASSY.					
04	9011.144	FORK FOR TUBE D.4					
05	149361200	BLACK SILICONE TUBE 7,5X9,3	IN ROLL				
06	11004132	TEFLON TUBE 2X4 L=250 MM ASSY					
07	140328059	OR 2015 IN SILICONE PTFE/FDA					
08	11008956	SS SPRING FOR LOCK DOOR G0053					
09	11010035	BLACK BUTTON BIG CUP COFFEE P0057					
10	11006064	BLACK BUTTON SMALL CUP COFFEE P0057					
11	11014222	TRANSPARENT LEFT GUIDE LIGHT V2 P0057					
12	11014180	KEYBOARD P0057 XSMALL V1					
13	11013012	PMMA/TRANSPARENT RIGHT GUIDE LIGHT P0057					
14	11004120	BLACK STEAM/WATER GEAR Z=26 P0057					
15	11014229	SILVER TOUCH PANEL V3 P0057/B-C					
	11023612	GMS TOUCH PANEL V3 P0057/B-C					
16	11005100	PLATE FOR 4X2 TEFLON TUBE P124					
17	11005101	BUSH FOR 4X2 TEFLON TUBE P124					
18	12000450	SCREW TCBR TORX 10 3,5X12 PLAST.ZN-N					
19	17000266	SS.L=22,6MM INT.BUSH FOR TEFLON TUBE D4					

STANDARD BOILER 120V



PHILIPS

HD8743/11-12-13-15-16-17-19

HD8745/01-02-03-04-05-06-07-09-11-12-18-19-21-22-23-41-43-47

HD8747/01-02-03-09



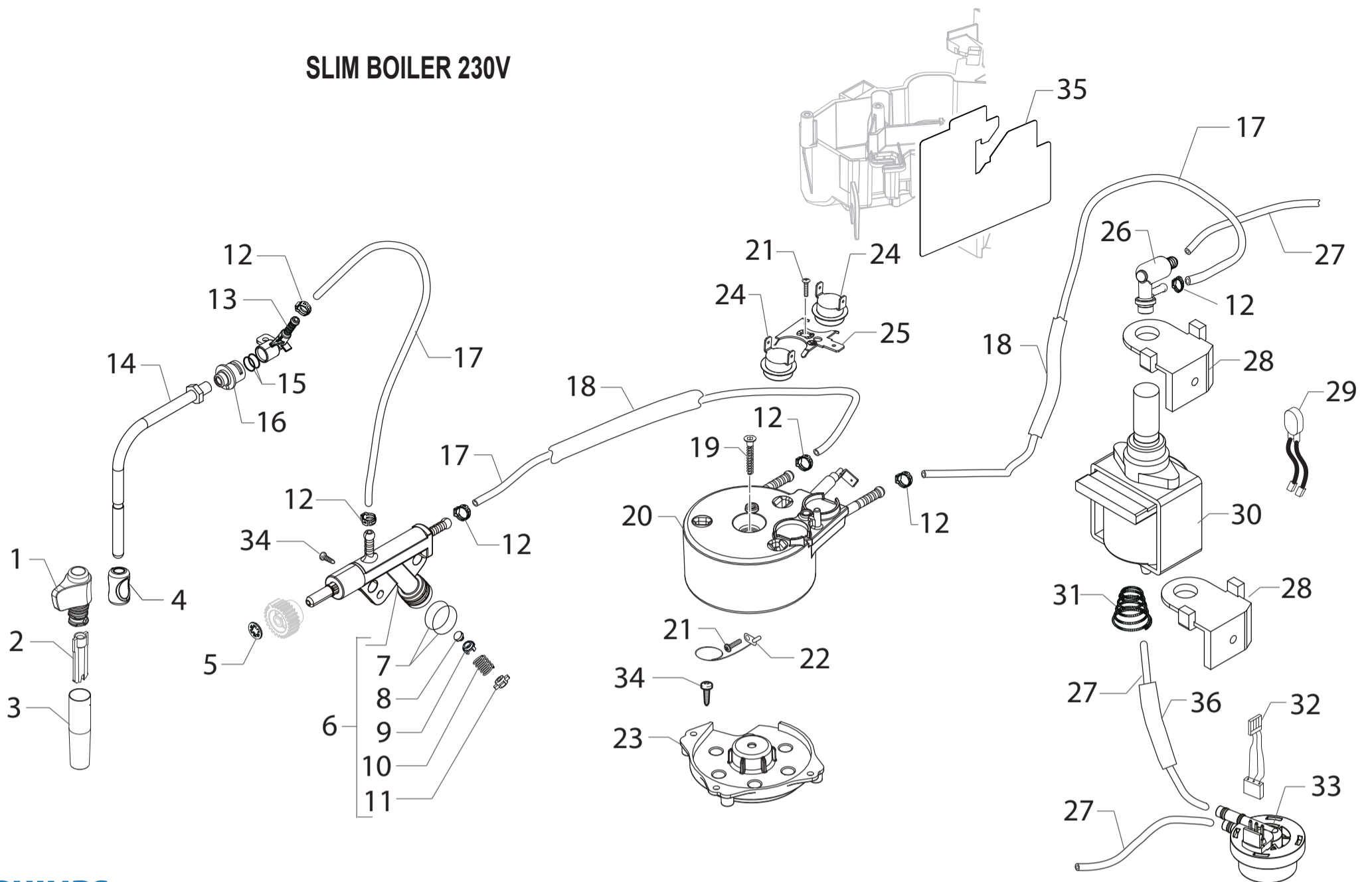
Cod. 10003227-10003559-80-81-82-83-84-85-86-87-88

Cod. 10003589-90-91-92-93-94-95-10003600-01-02-33-34

Cod. 10003802-03-20-10003900-3934-4087

POS	CODE	DESCRIPTION	NOTE	POS	CODE	DESCRIPTION	NOTE
01	11007194	BLACK STEAM TUBE HANDGRIP G0053					
02	11001620	BLACK PANNARELLO INTERNAL TUBE P0049					
03	11001769	BLACK PANNARELLO COVER P0049					
	11001621	SS PANNARELLO COVER P0049					
04	11008991	BLACK STEAM TUBE HANDGRIP P604					
05	128210600	ELASTIC WASHER FOR SHAFT D=6MM					
06	11012381	FLOW SELECTOR FAUCET V2 P0057					
07	12000893	BLACK OR METRIC 0120-20 IN EPDM					
08	11008104	MUSHROOM VALVE FOR FLOW SELECTOR P0057					
09	11008105	SUPPORT VALVE FOR FLOW SELECTOR P0057					
10	11008077	SPRING FOR VALVE FLOW SELECTOR P0057					
11	11008106	VALVE CAP FOR FLOW SELECTOR P0057					
12	12000892	OETIKER CLAMP D=9,5 16700004					
13	11005757	STEAM TUBE SUPPORT P0057					
14	11012972	TF/CHROMED STEAM TUBE V2 P0057 ASSY.					
15	140324461	OR ORM 0060-20 IN TERMOIL					
16	11011127	BLACK PA6 BUSH FOR STEAM TUBE P0057					
17	16000380	5X8,9 SILICONE TUBE	IN ROLL				
18	16000540	TRANSPAR.10,5X12,3 SILICONE TUBE	IN ROLL				
19	129932502	SCREW TSP 5X30 PLAST.ZN-B					
20	11011342	V4 TUB. BOILER ASSY.	120V - 1300W				
21	12001715	SCREW TCB TORX 20 M4X8 AUTOFORMING ZN-B					
22	190800100	TEMPERATURE SENSOR NTC UL L=280MM					
23	11003752	BLACK BOILER SUPPORT P0057					
24	12001034	THERMOSTAT ONE SHOT 175°					
25	11010164	THERMOSTATES SPRING FOR BOILER					
26	11004689	TEA/BRASS SAFETY VALVE 16-18 BAR ASSY.					
27	JS01.022	SILICONE TUBE 5X10 60 SHORE	IN ROLL				
28	149205850	BLACK PUMP SUPPORT TYPE ULKA					
29	11009747	2POLES CONNECTOR PUMP P0057 UL					
30	12000142	ULKA PUMP EAP5/S	120V-60HZ				
31	11004220	PUMP SUPPORT SPRING P0057					
		UP TO S/N. TW901219198663					
		FOR THE NEXT SERIAL NUMBERS ORDER PART. POS. 28					
32	11005948	3POLES CONNECTOR FLOWMETER P0057					
33	NV99.099	TURBINE D=1,2 932-8521/00 ASSY.					
34	12000450	SCREW TCB TORX 10 3,5X12 PLAST.ZN-N					
35	11012323	NOMEX PROTECTION FOR POWER BOARD P0057					
36	11027130	RED GLASS FIBRES/SILIC.TUBE D=12 L=130MM					
		UP TO S/N. TW901219198663					
	11009778	TUB. BOILER STD C1 1300W 120V ASSY. WITH PART.N°20-21-22-24-25					

SLIM BOILER 230V



PHILIPS

HD8743/11-12-13-15-16-17-19

HD8745/01-02-03-04-05-06-07-09-11-12-18-19-21-22-23-41-43-47

HD8747/01-02-03-09

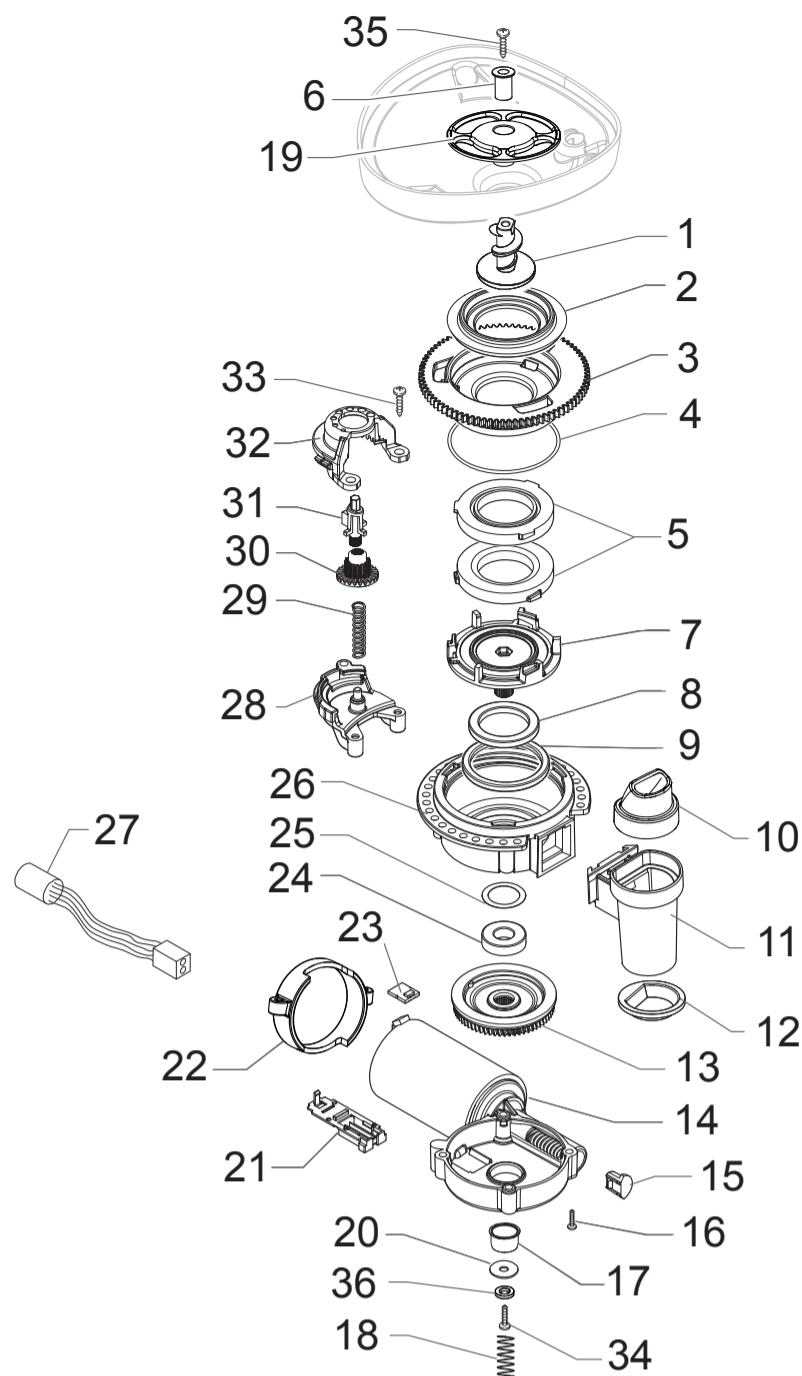


Cod.10003227-10003559-80-81-82-83-84-85-86-87-88

Cod. 10003589-90-91-92-93-94-95-10003600-01-02-33-34

Cod. 10003802-03-20-10003900-3934-4087

POS	CODE	DESCRIPTION	NOTE	POS	CODE	DESCRIPTION	NOTE
01	11007194	BLACK STEAM TUBE HANDGRIP G0053					
02	11001620	BLACK PANNARELLO INTERNAL TUBE P0049					
03	11001621	SS PANNARELLO COVER P0049					
	11001769	BLACK PANNARELLO COVER P0049					
04	11008991	BLACK STEAM TUBE HANDGRIP P604					
05	128210600	ELASTIC WASHER FOR SHAFT D=6MM					
06	11012381	FLOW SELECTOR FAUCET V2 P0057					
07	12000893	BLACK OR METRIC 0120-20 IN EPDM					
08	11008104	MUSHROOM VALVE FOR FLOW SELECTOR P0057					
09	11008105	SUPPORT VALVE FOR FLOW SELECTOR P0057					
10	11008077	SPRING FOR VALVE FLOW SELECTOR P0057					
11	11008106	VALVE CAP FOR FLOW SELECTOR P0057					
12	12000892	OETIKER CLAMP D=9,5 16700004					
13	11005757	STEAM TUBE SUPPORT P0057					
14	11012972	TF/CHROMED STEAM TUBE V2 P0057 ASSY.					
15	140324461	OR ORM 0060-20 IN TERMOIL					
16	11011127	BLACK PA6 BUSH FOR STEAM TUBE P0057					
17	16000380	5X8,9 SILICONE TUBE	IN ROLL				
18	16000540	TRANSPAR.10,5X12,3 SILICONE TUBE	IN ROLL				
19	12001369	SCREW TSP TORX 10 5X35 PLAST.SS					
20	11013735	SLIM TUB.BOILER ASSY.	230V - 1300W				
21	12001715	SCREW TCB TORX 20 M4X8 AUTOFORMING ZN-B					
22	190800100	TEMPERATURE SENSOR NTC UL L=280MM					
23	11022791	BLACK SLIM/EXSL BOILER SUPPORT					
24	12001033	THERMOSTAT ONE SHOT 190°					
25	11001751	THERMOSTATES SPRING FOR BOILER					
26	11004689	TEA/BRASS SAFETY VALVE 16-18 BAR ASSY.					
27	JS01.022	SILICONE TUBE 5X10 60 SHORE	IN ROLL				
28	149205850	BLACK PUMP SUPPORT TYPE ULKA					
29	11009747	2POLES CONNECTOR PUMP P0057 UL					
30	12000140	ULKA PUMP EP5/S GW	230V-50HZ				
	12000182	ULKA PUMP EP5/S GW	220V-60HZ				
31	11004220	PUMP SUPPORT SPRING P0057					
		UP TO S/N. TW901219198663					
		FOR THE NEXT SERIAL NUMBERS ORDER PART.N° 28					
32	11005948	3POLES CONNECTOR FLOWMETER P0057					
33	NV99.099	TURBINE D=1,2 932-8521/00 ASSY.					
34	12000450	SCREW TCB TORX 10 3,5X12 PLAST.ZN-N					
35	11012323	NOMEX PROTECTION FOR POWER BOARD P0057					
36	11027130	RED GLASS FIBRES/SILIC.TUBE D=12 L=130MM					
		UP TO S/N. TW901219198663					
	11026683	SLIM TUB.BOIL.STD C1 T190° 1300W 230V/AS WITH PART.N° 20-21-22-24-25					



PHILIPS

Saeco

HD8743/11-12-13-15-16-17-19

HD8745/01-02-03-04-05-06-07-09-11-12-18-19-21-22-23-41-43-47

HD8747/01-02-03-09

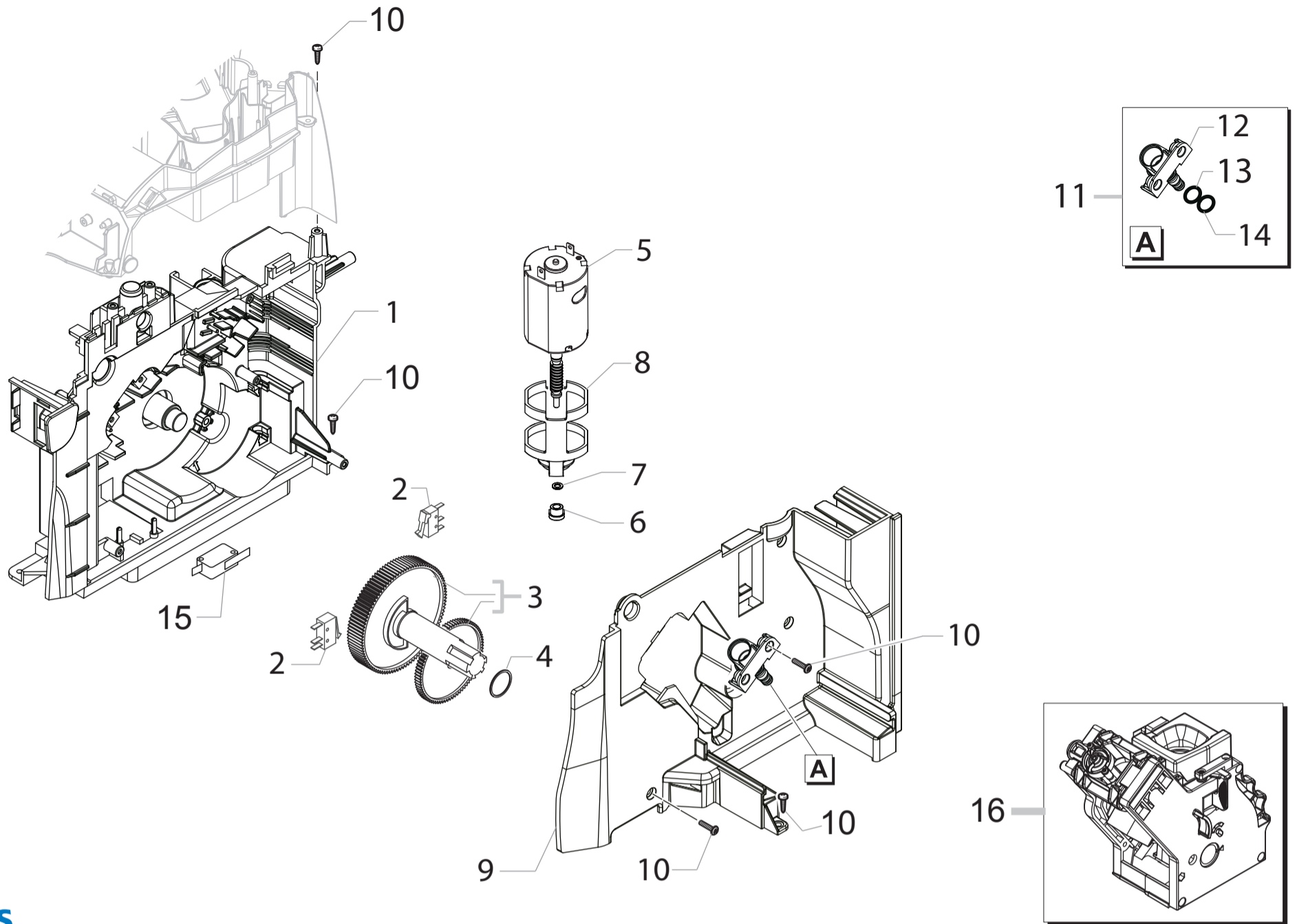


Cod.10003227-10003559-80-81-82-83-84-85-86-87-88

Cod. 10003589-90-91-92-93-94-95-10003600-01-02-33-34

Cod. 10003802-03-20-10003900-3934-4087

POS	CODE	DESCRIPTION	NOTE	POS	CODE	DESCRIPTION	NOTE
01	11010031	TEA ZAMA INCREASE SCREW GRINDER					
02	145857062	COFFEE GRINDER SEAL P119					
03	149198250	UPPER GRINDER SUPPORT COFFEEGRINDER					
04	140328960	NBR FDA OR METRIC 0530-15					
05	146520100	BAKED CLAY GRINDER 48X28					
06	11012466	BRASS BUSH BEAN CONT.FINGER PROTEC.P0057					
07	149198350	LOWER GRINDER SUPPORT COFFEEGRINDER					
08	123030300	AXIAL BEARING EKKO 342.35252					
09	140360500	FELT RING 45,4X39,4X4					
10	11006226	BLACK CONDENSE CONVEYOR P0057					
11	11026355	AS.CONVOGL.USCITA CAF.MAC.V4 SMART1 NER.					
12	145854462	GROUND COFFEE CONT.SEAL LOWER SMART1					
13	226000300	GEAR SX Z=38 FOR GRINDER MOTION ASSY.					
14	11000513	MOTOR COFFEEGRINDER V3.1 ASSY	230V				
	11000511	MOTOR COFFEEGRINDER V3.1 ASSY	120V				
15	149214800	CAP FOR WORM SCREW MCV3 CENTRING					
16	129661702	SCREW TCB TORX 3,5X30 PLAST.ZN-B					
17	11002873	INSULATOR BUSH FOR GRINDER MOTOR P124					
18	11000597	COFFEE GRINDER SUPPORT SPRING P124					
19	11012237	BLACK BEAN CONTAIN.FINGER PROTECT.P0057					
20	128381902	GALVAN.FLAT WASH.DI=4,3 DE=14 SP=1,5					
21	149199050	SENSOR SUPPORT FOR COFF.GRIND.MOTOR					
22	11000194	BLACK GRINDER MOTOR SUPPORT P124					
23	181540900	ELECTRONIC BOARD WITH SENSOR HAL506					
24	123030200	RADIAL BEARING 61900.2RS1					
25	128381800	CRINKLE WASHER 21,8X15,8X0,2					
26	142905450	UPPER BODY WITH COFFE.GROUND OUTLET					
27	11008871	3 POLES CONNECTOR MC SENSOR S0053 UL					
28	11002613	LOWER GEAR SUPPORT COFFEEGRINDER P124					
29	11002572	GRINDER REGULATION SPRING P124					
30	11003784	COFFEE GRINDING ADJUSTMENT GEAR P0049					
31	11003446	BLACK INSERT FOR COFFEE GRINDER P0049					
32	11002508	UPPER GEAR SUPPORT COFFEEGRINDER P124					
33	129914002	SCREW TCB TORX 10 3,5X16 PLAST.ZN-B					
34	129574802	SCREW TCB TORX 20 M4X30 ZN-B					
35	U043.004	ZN-B TCB SCREW M4X16					
36	128310402	GALV.WASHER UNI 8842 A4					
	11006059	MC GENERAL MOTOR P0057 STD ASSY.	230V				
	11012319	MC GENERAL MOTOR P0057 ITA ASSY.	230V				
	11013028	MC GENERAL MOTOR P0057 ASSY.	120V				



PHILIPS

Saeco

HD8743/11-12-13-15-16-17-19

HD8745/01-02-03-04-05-06-07-09-11-12-18-19-21-22-23-41-43-47

HD8747/01-02-03-09

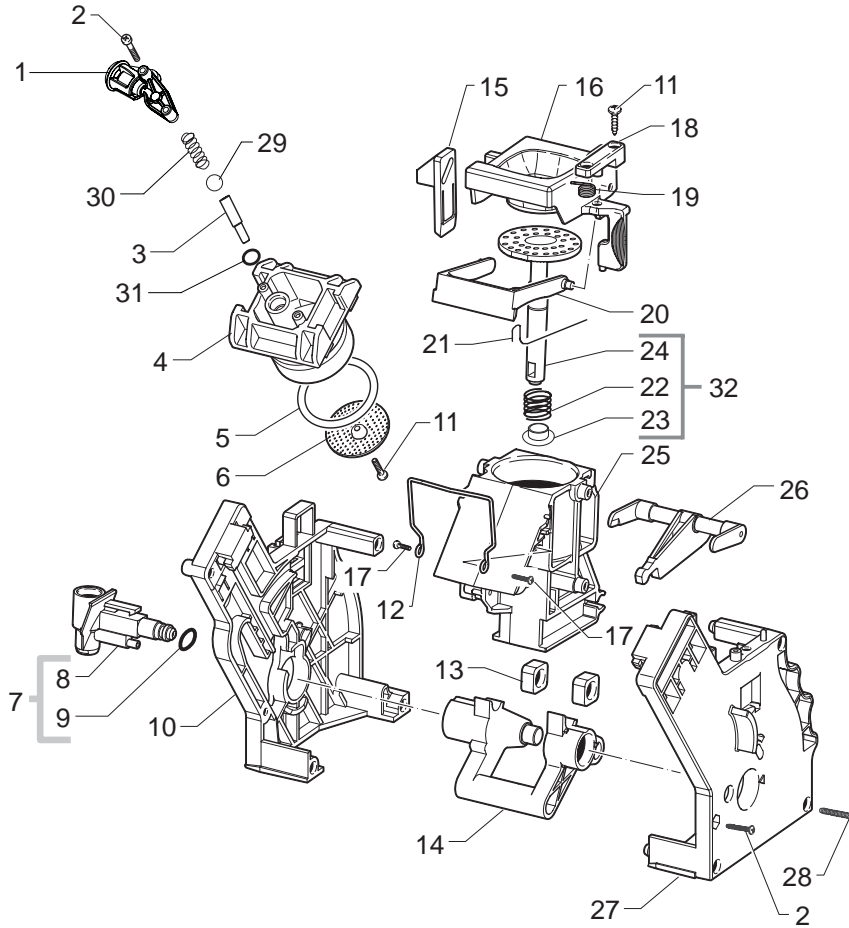


Cod.10003227-10003559-80-81-82-83-84-85-86-87-88

Cod. 10003589-90-91-92-93-94-95-10003600-01-02-33-34

Cod. 10003802-03-20-10003900-3934-4087

POS	CODE	DESCRIPTION	NOTE	POS	CODE	DESCRIPTION	NOTE
01	17000366	BLK RATIOMOTOR MOUNTING PLATE XSMC ASSY.					
02	NE05.038	MICROSWITCH					
03	20000900	SPARES KIT GEARS FOR RATIOMOTOR V2					
04	9161.132	MYLAR WASHER FOR RATIOMOTOR					
05	11003037	MOTOR FOR RATIOMOTOR ASSY.					
06	9121.046	SINTERED BUSH FOR MOTOR					
07	148380200	WASHER BAKELIZZATE D=5,5					
08	9121.044	ANTIVIBRATION FOR MOTOR					
09	11003754	BLACK COVER FOR MOUNTING PLATE P0057					
10	12001728	SCREW TCBR TORX 10 3,5X12 PLAST.SS					
11	11013531	PIN FOR FLOW SELECTOR FAUCET P0057 ASSY.					
12	11013530	PIN FOR FLOW SELECTOR FAUCET V2 P0057					
13	NM01.035	OR ORM 0090-20 SILICONE					
14	NM01.057	OR ORM 0050-20 IN SILICONE					
15	NE05.013	MICROSWITCH					
16	11012382	BLACK BREW UNIT 8GR.5BAR P0057					
		SEE EXPL.CODE E90067 NEXT PAGE					



POS	CODE	DESCRIPTION	NOTE	POS	CODE	DESCRIPTION	NOTE
01	11009362	BLACK COFFEE OUTLET SLEEVE S0053 ASSY.					
02	12000550	SCREW TCB TORX 10 3X25 PLAST.SS					
03	11009276	TUBE FOR COUNTER PISTON BREW UNIT S0053					
04	11001840	BLACK COUNTER PISTON BREW UNIT 8GR.P124					
05	NM01.044	OR ORM 0320-40 SILICONE PTFE/FDA					
06	9161.268	PERCOLATOR DE=35,8 ELFO					
07	20000440	BLACK SPARE SLEEVE UNIT					
08	9161.064.050	BLACK WATER INLET SLEEVE BREW UNIT					
09	NM02.007	OR 2025 TERMOIL					
10	9161.375.050	BLACK REAR PLATE FOR BREW UNIT SMART					
11	12000895	SCREW TSP TORX 10 3X10 PLAST.SS					
12	11001556	SPRING H=49 FOR COFFEE BREW UNIT SMART					
13	9161.094.150	GREY DRILLED BLOCK BREW UNIT					
14	9161.066.050	ELBOW SHAFT FOR UNIT BLACK					
15	9161.373.050	BLACK COUPLING PLATE BREW UNIT SMART					
16	149261350	BLACK HOPPER DOSER BREW UNIT SMART1					
17	129912521	SCREW TCB TORX 10 3,5X14 PLAST.SS					
18	9161.374.050	BLACK HOPPER BLOCKING PLATE UNIT SMART					
19	9161.378	SPRING HOPPER SMART BREW UNIT					
20	11004161	BLACK SCRAPER FOR COFFEE UNIT					
21	9161.046	SPRING FOR UNIT SCRAPER					
22	9161.198	PISTON SPRING BREW UNIT M5000					
23	9161.191	NEUTRAL PISTON BUSH BREW UNIT M5000					
24	11003077	BLACK INTEGRAL PISTON UNIT P124 8GR.ASS					
25	11003075	BLACK COFFEE CONTAINER BREW UNIT P124	WITH PART. N° 12				
26	11003078	BLACK CONNECTING ROD FOR UNIT P124 8GR.					
27	11005920	BLACK FRONT PLATE BREW UNIT SMART S.SCR.					
28	12000897	SCREW TCB TORX 10 3,5X20 PLAST.SS					
29	9991.168	GLASS SPHERE D.5MM					
30	11012095	SPRING FOR COUNTERPISTON UNIT S0053					
31	140328761	OR METRIC 0060-15 IN TERMOIL					
32	11023086	BLK 8GR.BREW UNIT NTEGR.PISTON GEN.ASSY.					
	11012382	BLACK BREW UNIT 8 GR.5 BAR S0053					