

Service Service Service



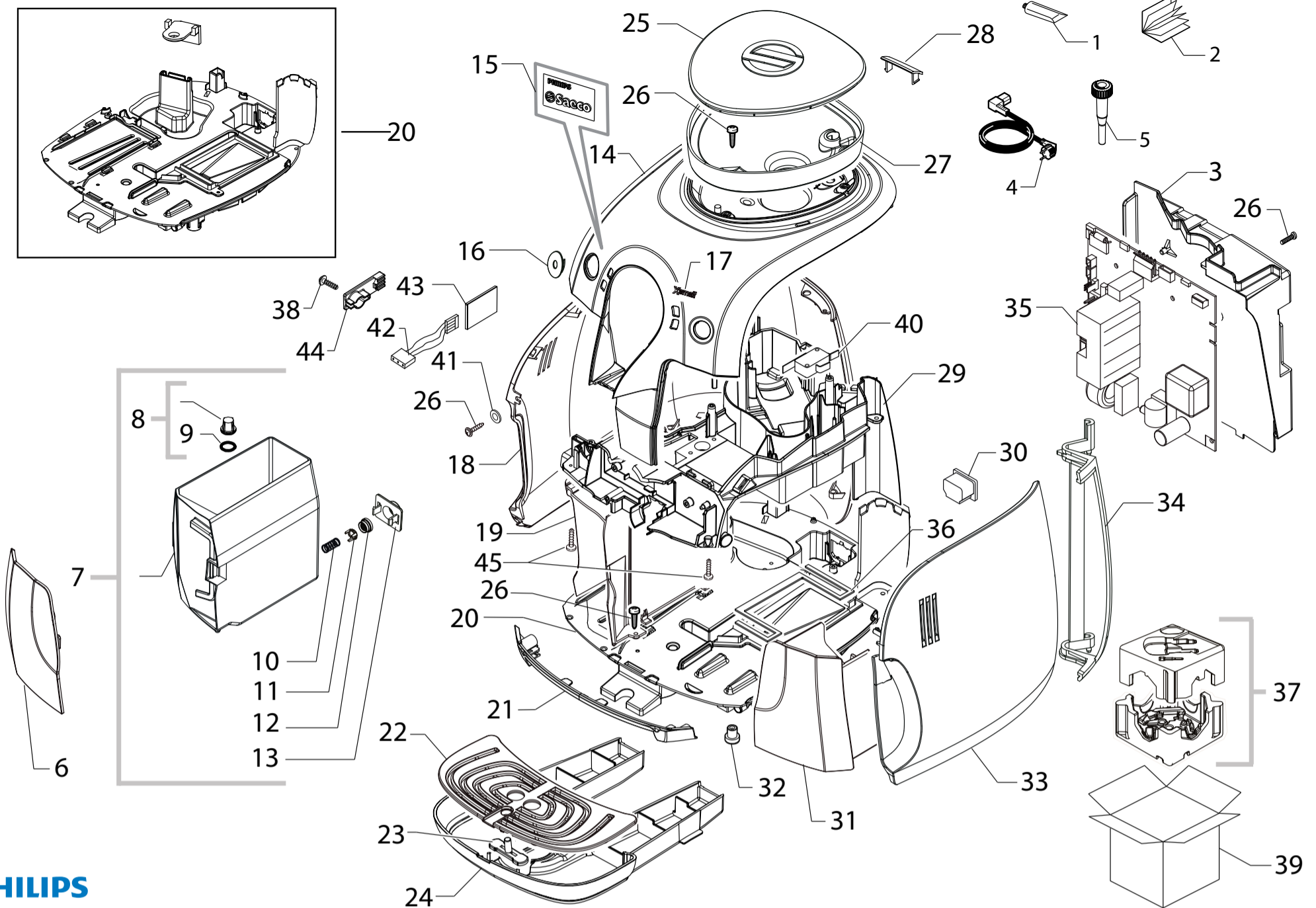
Exploded View

Contents

Table

External / Electronical components	1/7
Front panel / User interface	2/7
Water system with standard boiler	3/7
Water system with small boiler	4/7
Coffee grinder assembly	5/7
Gear motor	6/7
Brewing unit	7/7

All rights reserved. No part of this publication may be reproduced, stored in a retrieval system or transmitted, in any form or by any means, electronic, mechanical, photocopying, or otherwise without the prior permission of Saeco.



PHILIPS

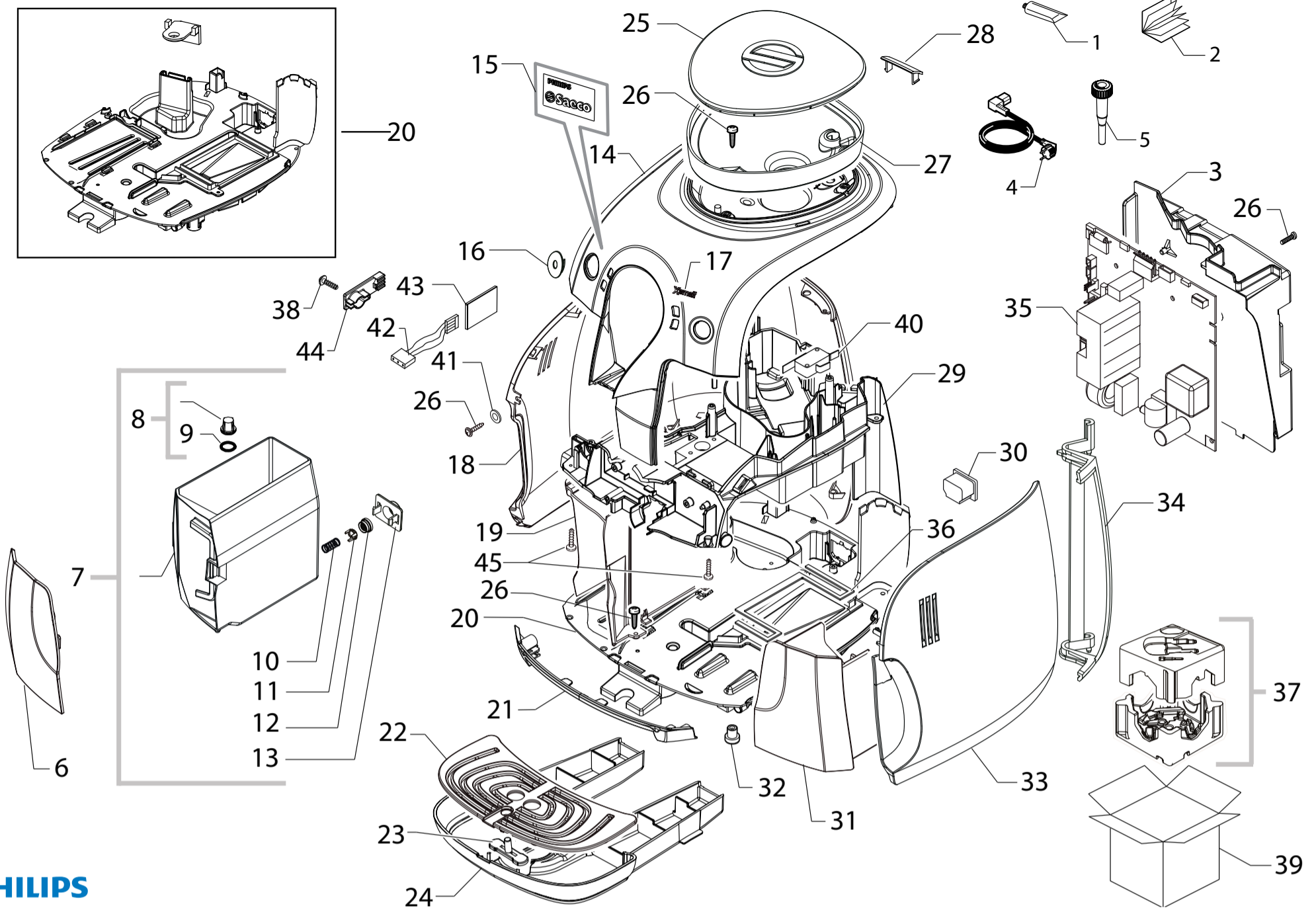
Saeco

HD8743/03-11-12-13-15-16-17-19
 HD8745/01-02-03-04-05-06-07-09-11-12-18-19-21
 HD8745/22-23-41-42-43-44-47 HD8747/01-02-03-09



Cod. 882874303530-10003588-89-90-91-3600-01-34
 Cod. 10003559-80-83-84-85-86-87-3602-3227-3633-3802-03-20
 Cod. 10003581-82-92-93-94-95-3934-4087-4437-38- 3900

POS	CODE	12NC	DESCRIPTION	NOTE	POS	CODE	12NC	DESCRIPTION	NOTE
01	11028379	996530070318	PSA KLUBER TRIBOSTAR SIL 2 TUBE 5GR.		18	11006068	996530003337	WHITE LEFT SIDE COVER P0057	
02		421946010501	MANUAL V2 PSA HD8743/45/47 P0057 GB		18	11004127	996530002067	BLACK LEFT SIDE COVER P0057	
		421946010511	MANUAL V2 PSA HD8743/45/47 P0057 FR			11023619	996530066685	GMS LEFT SIDE COVER P0057	
		421946010521	MANUAL V2 PSA HD8743/45/47 P0057 ES			11025585	996530068482	VANILLA LEFT SIDE COVER P0057	
		421946010531	MANUAL V2 PSA HD8743/45/47 P0057 CHN		19	11014220	996530007044	BLACK CASING BOTTOM INSERT V2 P0057	
		421946010541	MANUAL V2 PSA HD8743/45/47 P0057 PT/BRA		20	20007094	996530073351	KIT CASING BOTTOM V3+PUMP SUPPORT P0057	
		421946010461	MANUAL V2 PSA HD8743/45/47 P0057 TWN			17000607	996530071788	BLACK CASING BOTTOM V3 P0057	
03	11012301	996530006364	BLACK PWR/CPU BOARD PROTECTION P0057					BLACK CASING BOTTOM V3 P0057	
04		421946001591	BLK POWER CABLE SCHUKO L=800					FROM S/N. TW901219198664	
	183930650	996530025858	POWER CABLE CH BLACK 3X1 H05VV-F L=1200		21	11014307	996530007066	BLACK LOWER FRONT INSERT P0057	
	183940650	996530025872	BLACK POWER CABLE AUSTRALIA L=1200			11004106	996530002048	SILVER LOWER FRONT INSERT P0057	
	11004246	996530002166	BLACK POWER CABLE TAIWAN HVCTF L=1200			11023615	996530066682	GMS LOWER FRONT INSERT P0057	
	11004247	996530002167	BLACK POWER CABLE RVV 3X1 CHINA L=1200		22	11005727	996530003094	SILVER GRATE FOR DRIP TRAY P0057	
	11001985	996530001089	BLACK POWER CABLE KOREA L=1200			11023613	996530066681	GMS GRATE FOR DRIP TRAY P0057	
	183970350	996530025882	BLACK POWER CABLE UK L=1200		23	11013184	996530006683	RED FLOAT FOR DRIP TRAY XSM	
	183921950	996530025843	POWER CABLE SJT3 USA BLACK UL L=1200		24	11012694	996530006476	BLACK DRIP TRAY V2 P0057	
	17800019	996530009627	BLACK POWER CABLE BRAZIL L=1200	220V		11023611	996530066678	GMS DRIP TRAY V2 P0057	
	17800330	996530069926	BLACK POWER CABLE BRAZIL L=1200	127V	25	11004123	996530002063	NAT/GREY BEAN COFFEE CONTAINER LID P0057	
05	11003785	996530001908	BLACK GRINDER ADJUSTMENT KEY P0049		26	12000450	996530007819	SCREW TCBR TORX 10 3,5X12 PLAST.ZN-N	
06	11014306	996530007065	BLACK WATER CONTAINER FRONT COVER P0057		27	11004125	996530002065	NAT/GREY BEAN COFFEE CONTAINER P0057	
	11005756	996530003102	SILVER WATER CONTAINER FRONT COVER P0057		28	17000141	996530067708	TRANSP.COVER INFRAREDS ACCESS P0057	
	11023610	996530066677	GMS WATER CONTAINER FRONT COVER P0057		29	11014221	996530007045	BLACK COFFEE GRINDER PLATE V2 P0057	
07	11006058	996530003326	NAT/GREY WATER CONTAINER P0057 ASSY.		30	12001883	996530072437	CUP SOCKET V3 EN 60320 C 13	220V -230V
08	224640200	996530029115	WHITE WATER CONTAINER EXT.FILTER ASSY.			12001645	996530069782	CUP SOCKET V2 EN 60320 C 13	120V
09	140328461	996530013571	OR ORM 0190-10 EPDM		31	11014308	996530007067	BLACK DUMP BOX P0057	
10	11003672	996530001831	SS SPRING FOR WATER CONTAIN.VALVE P0049			11004105	996530002047	SILVER DUMP BOX P0057	
11	11003673	996530001832	GREY WATER CONTAINER VALVE INSERT P0049			11023616	996530066683	GMS DUMP BOX P0057	
12	11003671	996530001829	TRANSP.VALVE FOR WATER CONTAINER P0049		32	147622800	996530016875	TRANSPARENT SILICONE FOOT	
13	11001298	996530000733	BLACK LID FOR DUCKBILL VALVE P0049		33	11004130	996530002071	WHITE DOOR P0057	
14	11021331	996530007072	BLACK UPPER COVER CASING V2 S/SCR.P0057			11004122	996530002062	BLACK DOOR P0057	
	11014225	996530007049	SILVER UPPER COVER CASING V2 S/SCR.P0057			11023618	996530066684	GMS DOOR P0057	
	11023620	996530066686	GMS UPPER COVER CASING V2 S/SCR.P0057			11025586	996530068483	VANILLA DOOR P0057	
15	11025026	996530068191	ADHES.SILVER PLATE LOGO PHILIPS-SAECO		34	11004139	996530002081	BLACK HINGE FOR DOOR P0057	
16	11021366	996530007087	BLACK UPPER COVER CASING CAP P0057		35	11022509	996530007392	CPU+SW P0057 XSMALL V4 230V ASSY.	230V-SLIM BOILER
	11010038	996530005592	SILVER UPPER COVER CASING CAP P0057			11021357	996530007082	CPU+SW P0057 XSMALL V2 120V ASSY.	120V
	11023622	996530066687	GMS UPPER COVER CASING CAP P0057		36	11012102	996530006307	ADHESIVE AERSTOP SP=1,6 MM P0057	
17	11024470	996530067688	ADHES.SILVER PLATE LOGO V2 XSMALL		37	20006888	996530067705	KIT TYPE "A" PS-E INSERT FOR BOX P0057	



PHILIPS

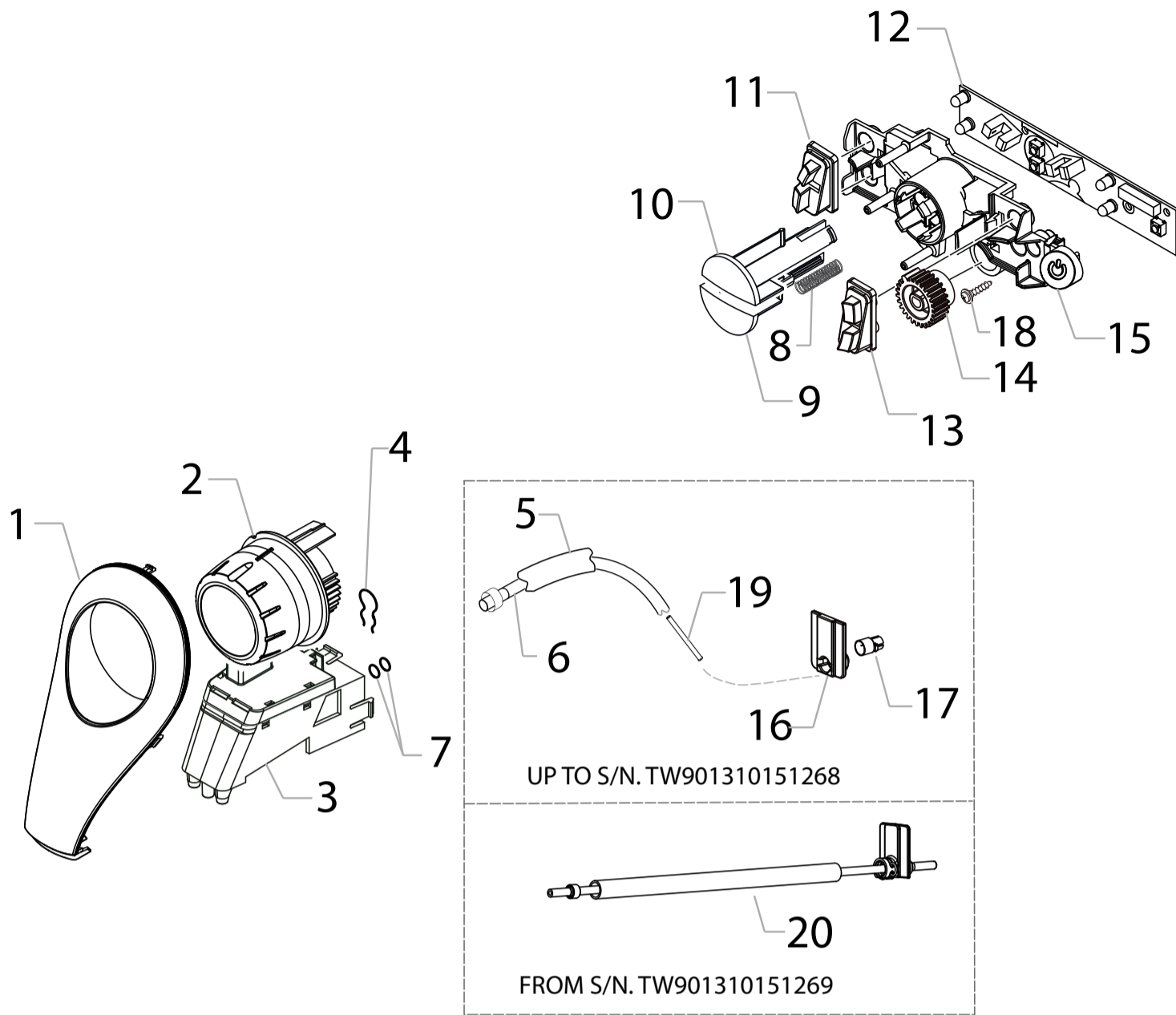
Saeco

HD8743/03-11-12-13-15-16-17-19
 HD8745/01-02-03-04-05-06-07-09-11-12-18-19-21
 HD8745/22-23-41-42-43-44-47 HD8747/01-02-03-09



Cod. 882874303530-10003588-89-90-91-3600-01-34
 Cod. 10003559-80-83-84-85-86-87-3602-3227-3633-3802-03-20
 Cod. 10003581-82-92-93-94-95-3934-4087-4437-38- 3900

POS	CODE	12NC	DESCRIPTION	NOTE	POS	CODE	12NC	DESCRIPTION	NOTE
38	129913202	996530013156	SCREW TCB TORX 10 3X8 PLAST.ZN-B						
39	13001282	996530067718	DISPLAY BOX PSA XSMALL CL WE						
	13001283	996530067687	DISPLAY BOX PSA XSMALL CL CEE						
39	13001284	996530067691	DISPLAY BOX PSA XSMALL ST WE						
	13001285	996530067696	DISPLAY BOX PSA XSMALL ST CEE						
	13001356	996530070319	DISPLAY BOX PSA XSMALL CL USA						
40	12001890	996530073209	MICROSWITCH XG/V3D						
41	128382002	996530012376	FLAT WASH.DI=3,7 DE=11 SP=0,8 GALV.						
42	11013709	996530006833	3POLES CONNECTOR WATER LEVEL XSM UL						
43	11000651	996530000425	WATER LEVEL SENSOR BOARD P124	100V-120V					
	11003232	996530001522	AS.CPU+SW WATER LEVEL SENSOR V2	220V-240V					
44	17000064	996530067437	BLK CAPACIT.SENSOR DEADLOCK INSERT XSM						
45	12001728	996530070321	SCREW TCB TORX 10 3,5X12 PLAST.SS						



PHILIPS

Saeco

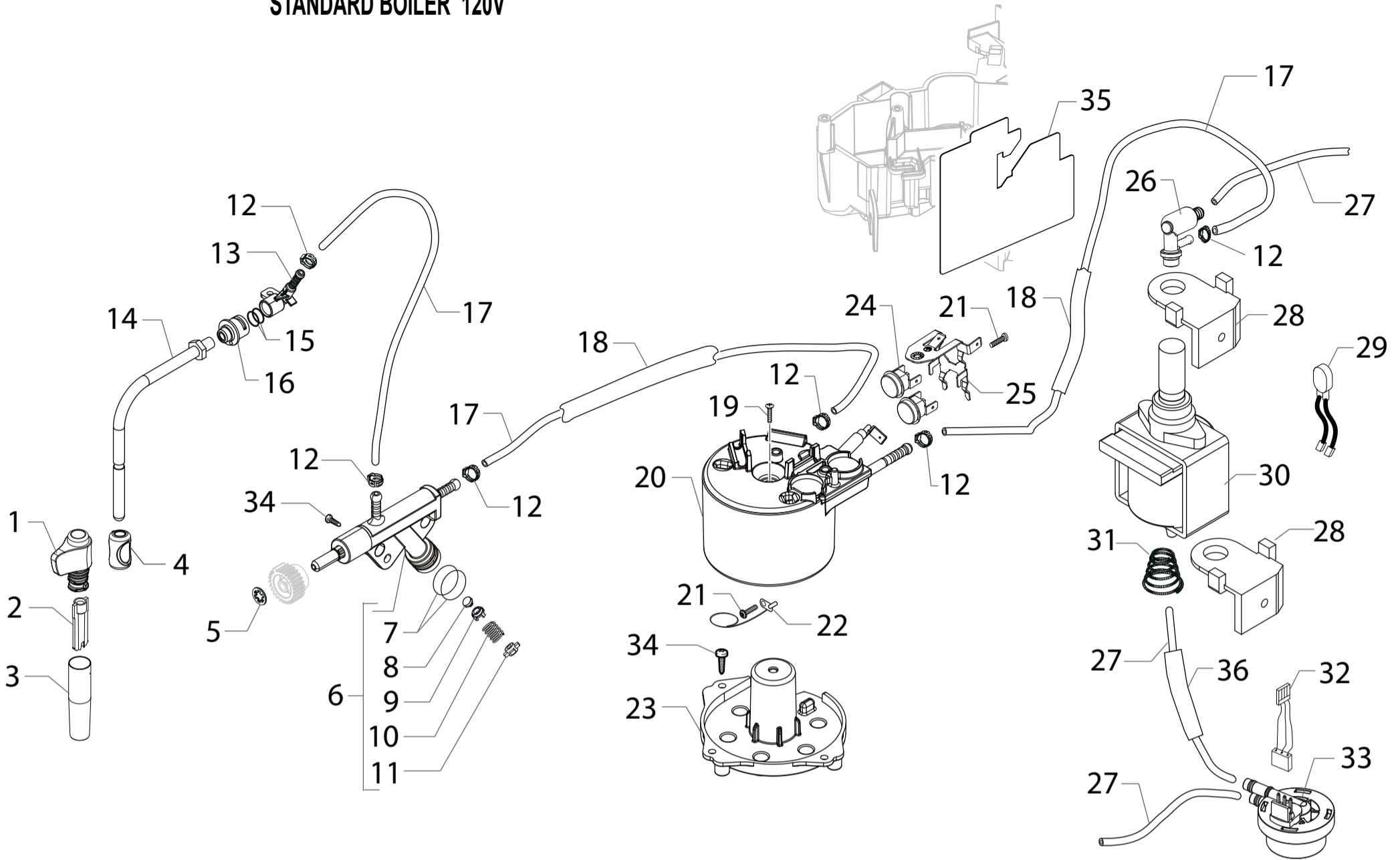
HD8743/03-11-12-13-15-16-17-19
 HD8745/01-02-03-04-05-06-07-09-11-12-18-19-21
 HD8745/22-23-41-42-43-44-47 HD8747/01-02-03-09



Cod. 882874303530-10003588-89-90-91-3600-01-34
 Cod. 10003559-80-83-84-85-86-87-3602-3227-3633-3802-03-20
 Cod. 10003581-82-92-93-94-95-3934-4087-4437-38- 3900

POS	CODE	12NC	DESCRIPTION	NOTE	POS	CODE	12NC	DESCRIPTION	NOTE
01	11021332	996530007073	BLACK CONTROL KNOB COVER S/SCR.NEW P0057						
02	11021458	996530007107	BLACK CONTROL KNOB V2 S/SCR.P0057						
03	11011280	996530006014	BLACK COFFEE DISPENSER P0057 ASSY.						
04	9011.144	996530048885	SS FORK FOR TUBE D=4						
05	149361200	996530018278	BLACK SILICONE TUBE 7,5X9,3 IN ROLL	SEE DRAWING					
06	11004132	996530002073	TEFLON TUBE 2X4 L=250 MM ASSY.	SEE DRAWING					
07	140328059	996530013564	OR 2015 SILICONE PTFE/FDA						
08	11008956	996530005133	SS DOOR LOCK SPRING G0053						
09	11010035	996530005588	BLACK BIG CUP COFFEE BUTTON P0057						
10	11006064	996530003333	BLACK SMALL CUP COFFEE BUTTON P0057						
11	11014222	996530007046	TRANSP.LEFT GUIDE LIGHT V2 P0057						
12	11014180	996530007033	KEYBOARD P0057 XSMALL V1						
13	11013012	996530006584	TRANSP/PMMA RIGHT GUIDE LIGHT P0057						
14	11004120	996530002059	WHITE STEAM/WATER GEAR Z=26 P0057						
15	11014229	996530007051	SILVER TOUCH PANEL V3 P0057/B-C						
	11023612	996530066679	GMS TOUCH PANEL V3 P0057/B-C						
16	11005100	996530002748	PLATE FOR BUSH TEFLON TUBE 2X4 P124	SEE DRAWING					
17	11005101	996530002749	BLACK BUSH FOR TEFLON TUBE 2X4 P124	SEE DRAWING					
18	12000450	996530007819	SCREW TCBR TORX 10 3,5X12 PLAST.ZN-N						
19	17000266	996530071774	SS.L=22,6MM INT.BUSH FOR TEFLON TUBE D4	SEE DRAWING					
20	11031203	996530073357	TEFL.TUBE 2X4 L=235+PLATE+2BUSH NPR ASSY FROM S/N. TW901310151269						

STANDARD BOILER 120V



PHILIPS

Saeco

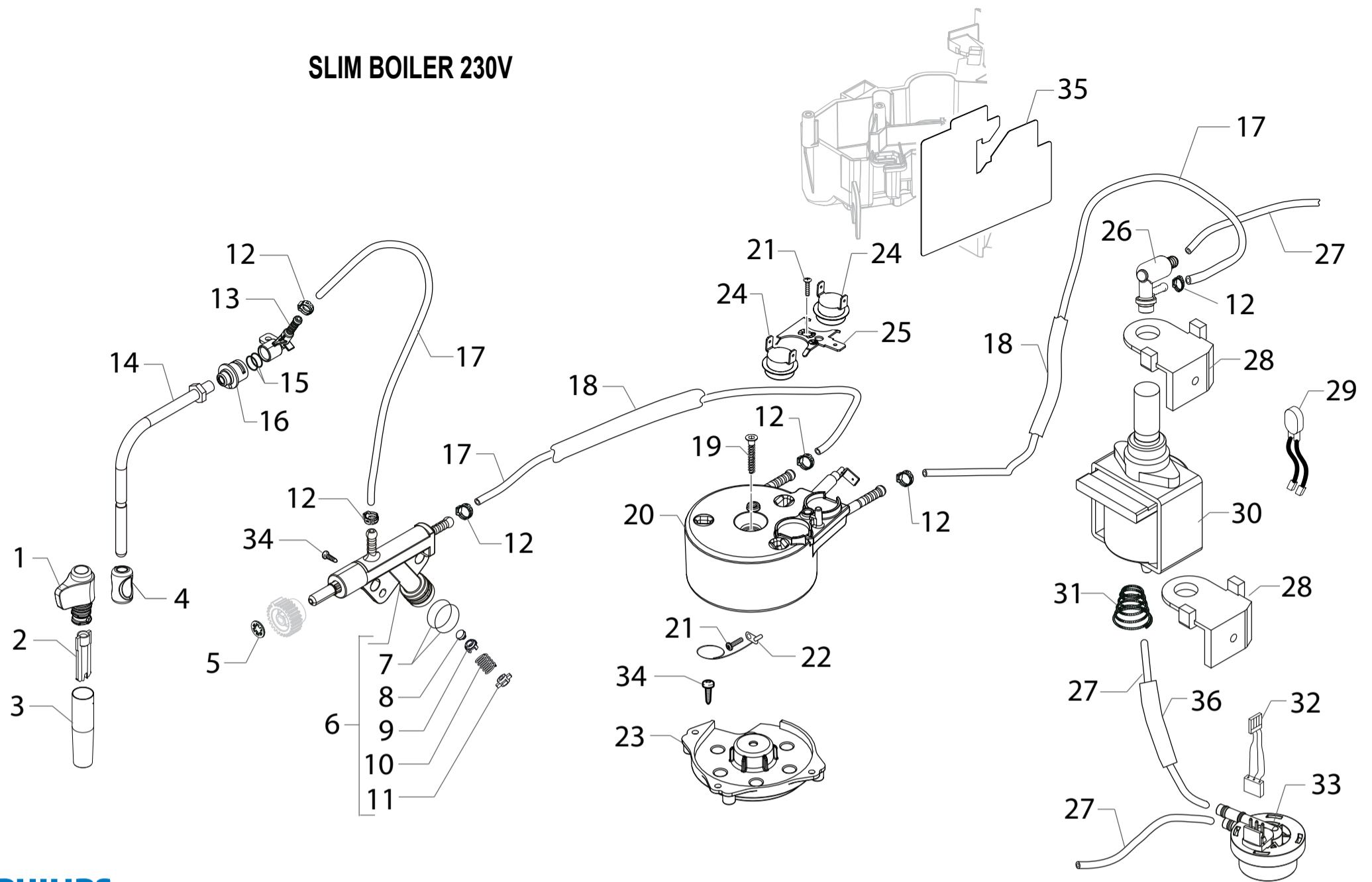
HD8743/03-11-12-13-15-16-17-19
 HD8745/01-02-03-04-05-06-07-09-11-12-18-19-21
 HD8745/22-23-41-42-43-44-47 HD8747/01-02-03-09



Cod. 882874303530-10003588-89-90-91-3600-01-34
 Cod. 10003559-80-83-84-85-86-87-3602-3227-3633-3802-03-20
 Cod. 10003581-82-92-93-94-95-3934-4087-4437-38- 3900

POS	CODE	12NC	DESCRIPTION	NOTE	POS	CODE	12NC	DESCRIPTION	NOTE
01	-	421941300671	BLK/SIL.STEAM TUBE HANDGRIP G0053		34	12000450	996530007819	SCREW TCBR TORX 10 3,5X12 PLAST.ZN-N	
02	11001620	996530000925	BLACK PANNARELLO INNER TUBE P0049		35	11012323	996530006373	NOMEX PROTECTION FOR POWER BOARD P0057	
03	11001769	996530001012	BLACK PANNARELLO COVER P0049		36	11027130	996530068058	RED GLASS FIBRES/SILIC.TUBE D=12 L=130MM UP TO S/N. TW901219198663	
	11001621	996530000926	SS PANNARELLO COVER P0049						
04	11008991	996530005152	BLACK STEAM TUBE HANDGRIP P604						
05	128210600	996530012336	ELASTIC WASHER FOR SHAFT D=6MM						
06	11012381	996530006383	FLOW SELECTOR FAUCET V2 P0057						
07	12000893	996530007948	OR ORM 0120-20 BLACK EPDM						
08	11008104	996530004722	MUSHROOM VALVE FOR FLOW SELECTOR P0057						
09	11008105	996530004723	FLOW SELECTOR VALVE SUPPORT P0057						
10	11008077	996530004709	STEEL FLOW SELECTOR VALVE SPRING P0057						
11	11008106	996530004724	FLOW SELECTOR VALVE CAP P0057						
12	12000892	996530007947	OETIKER CLAMP D=9,5 16700004						
13	11005757	996530003103	STEAM TUBE SUPPORT P0057						
14	11012972	996530006576	TF/CHROM.STEAM TUBE V2 P0057 ASSY.						
15	140324461	996530013509	OR ORM 0060-20 TERMOIL						
16	11011127	996530005979	BLACK PA6 BUSH FOR STEAM TUBE P0057						
17	16000380	996530009505	5X8,9 SILICONE TUBE	IN ROLL					
18	16000540	996530009523	TRANSPAR.11X12,8 SILICONE TUBE	IN ROLL					
19	129932502	996530013201	SCREW TSP 5X30 PLAST.ZN-B						
20	11011342	996530006026	V4 TUB.BOILER ASSY.	120V 1300W					
21	12001715	996530069758	SCREW TCB TORX 20 M4X8 AUTOFORMING ZN-B						
22	190800100	996530026997	TEMPERATURE SENSOR NTC UL L=280MM						
23	11003752	996530001897	BLACK BOILER SUPPORT P0057						
24	12001034	996530007974	THERMOSTAT ONE SHOT 175°						
25	11010164	996530005641	TUB.BOILER V6 SIDE THERMOS.FIXING SPRING						
26	11004689	996530002484	TEA/BRASS SAFETY VALVE 16-18 BAR ASSY.						
27	JS01.022	996530057357	SILICONE TUBE 5X10 60SH	IN ROLL					
28	149205850	996530018056	BLACK TYPE ULKA PUMP W/BEVEL SUPPORT						
29	11009747	996530005496	2POLES CONNECTOR PUMP P0057 UL						
30	12000142	996530007754	ULKA PUMP EAP5/S	120V-60HZ					
31	11004220	996530002143	PUMP SUPPORT SPRING P0057 UP TO S/N. TW901219198663 FOR THE NEXT SERIAL NUMBERS ORDER PART.N° 28						
32	11005948	996530003241	3POLES CONNECTOR FLOWMETER P0057						
33	NV99.099	996530059843	TURBINE D=1,2 932-8521/00 ASSY.						

SLIM BOILER 230V



PHILIPS

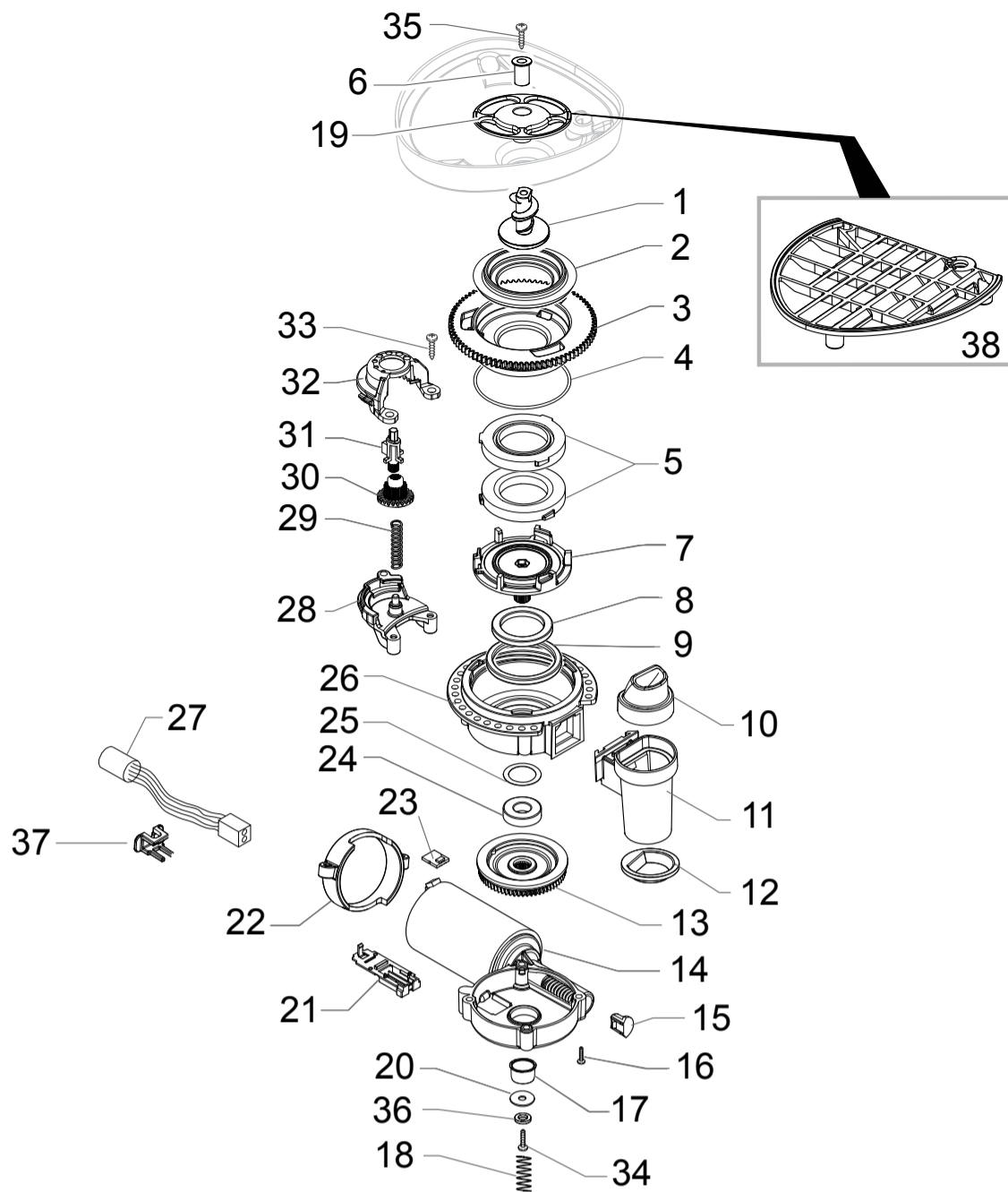
Saeco

HD8743/03-11-12-13-15-16-17-19
 HD8745/01-02-03-04-05-06-07-09-11-12-18-19-21
 HD8745/22-23-41-42-43-44-47 HD8747/01-02-03-09



Cod. 882874303530-10003588-89-90-91-3600-01-34
 Cod. 10003559-80-83-84-85-86-87-3602-3227-3633-3802-03-20
 Cod. 10003581-82-92-93-94-95-3934-4087-4437-38- 3900

POS	CODE	12NC	DESCRIPTION	NOTE	POS	CODE	12NC	DESCRIPTION	NOTE
01	-	421941300671	BLK/SIL.STEAM TUBE HANDGRIP G0053		33	NV99.099	996530059843	TURBINE D=1,2 932-8521/00 ASSY.	
02	11001620	996530000925	BLACK PANNARELLO INNER TUBE P0049		34	12000450	996530007819	SCREW TCBR TORX 10 3,5X12 PLAST.ZN-N	
03	11011504	996530006079	TF/CHROM.PANNARELLO COVER P0049		35	11012323	996530006373	NOMEX PROTECTION FOR POWER BOARD P0057	
	11001769	996530001012	BLACK PANNARELLO COVER P0049		36	11027130	996530068058	RED GLASS FIBRES/SILIC.TUBE D=12 L=130MM	
04	11008991	996530005152	BLACK STEAM TUBE HANDGRIP P604					UP TO S/N. TW901219198663	
05	128210600	996530012336	ELASTIC WASHER FOR SHAFT D=6MM						
06	11012381	996530006383	FLOW SELECTOR FAUCET V2 P0057			11026683	996530069759	SLIM TUB.BOIL.C1 T190°-190°1300W 230V AS	
07	12000893	996530007948	OR ORM 0120-20 BLACK EPDM					WITH PART.N°20-21-22-24-25	
08	11008104	996530004722	MUSHROOM VALVE FOR FLOW SELECTOR P0057						
09	11008105	996530004723	FLOW SELECTOR VALVE SUPPORT P0057						
10	11008077	996530004709	STEEL FLOW SELECTOR VALVE SPRING P0057						
11	11008106	996530004724	FLOW SELECTOR VALVE CAP P0057						
12	12000892	996530007947	OETIKER CLAMP D=9,5 16700004						
13	11005757	996530003103	STEAM TUBE SUPPORT P0057						
14	11012972	996530006576	TF/CHROM.STEAM TUBE V2 P0057 ASSY.						
15	140324461	996530013509	OR ORM 0060-20 TERMOIL						
16	11011127	996530005979	BLACK PA6 BUSH FOR STEAM TUBE P0057						
17	16000380	996530009505	5X8,9 SILICONE TUBE	IN ROLL					
18	16000540	996530009523	TRANSPAR.11X12,8 SILICONE TUBE	IN ROLL					
19	12001369	996530008039	SCREW TSP TORX 10 5X35 PLAST.SS						
20	11013735	996530006841	SLIM TUB.BOILER ASSY.	230V 1300W					
21	12001715	996530069758	SCREW TCB TORX 20 M4X8 AUTOFORMING ZN-B						
22	190800100	996530026997	TEMPERATURE SENSOR NTC UL L=280MM						
23	11022791	996530007442	BLACK SLIM/EXSL TUB.BOILER SUPPORT						
24	12001033	996530007973	THERMOSTAT ONE SHOT 190°						
25	11001751	996530000997	TUB.BOILER V3 UPPER THERM.FIXING SPRING						
26	11004689	996530002484	TEA/BRASS SAFETY VALVE 16-18 BAR ASSY.						
27	JS01.022	996530057357	SILICONE TUBE 5X10 60SH	IN ROLL					
28	149205850	996530018056	BLACK TYPE ULKA PUMP W/BEVEL SUPPORT						
29	11009747	996530005496	2POLES CONNECTOR PUMP P0057 UL						
30	12000140	996530007753	ULKA PUMP EP5/S GW	230V-50HZ					
	12000182	996530007782	ULKA PUMP EP5/S GW	220V-60HZ					
31	11004220	996530002143	PUMP SUPPORT SPRING P0057						
			UP TO S/N. TW901219198663						
			FOR THE NEXT SERIAL NUMBERS						
			ORDER PART.N° 28						
32	11005948	996530003241	3POLES CONNECTOR FLOWMETER P0057						



PHILIPS

Saeco

HD8743/03-11-12-13-15-16-17-19
 HD8745/01-02-03-04-05-06-07-09-11-12-18-19-21
 HD8745/22-23-41-42-43-44-47 HD8747/01-02-03-09

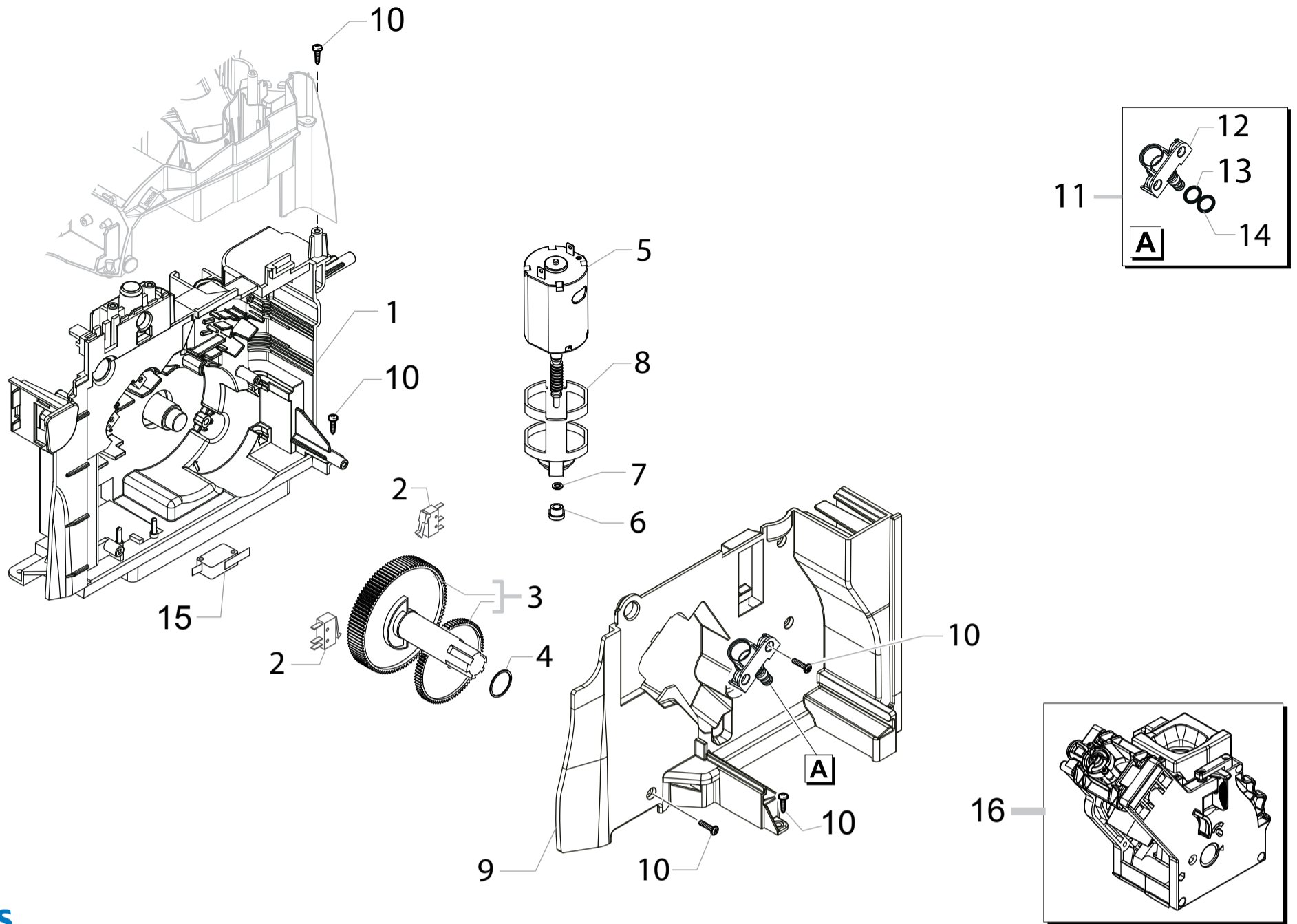


Cod. 882874303530-10003588-89-90-91-3600-01-34
 Cod. 10003559-80-83-84-85-86-87-3602-3227-3633-3802-03-20
 Cod. 10003581-82-92-93-94-95-3934-4087-4437-38-3900

POS	CODE	12NC	DESCRIPTION	NOTE	POS	CODE	12NC	DESCRIPTION	NOTE
01	11010031	996530005586	TEA/ZAMA INCREASE SCREW GRINDER		37	17001921	996530072477	BLK WIRING FIX INSERT FOR GRINDER BOARD	
02	145857062	996530015992	COFFEE GRINDER SEAL P119		38	11005714	996530003083	TRANSP.BEAN CONTAINER PROTECTION P0057	
03	-	421941094152	BLK COF.GRINDER UPPER GRINDER SUPPORT V2			11006059	996530003327	GEN.MOTOR COF.GRINDER STD P0057 ASS	230V
04	140328960	996530013577	OR ORM 0530-15 NBR FDA			11012319	996530006371	GEN.MOTOR COF.GRIND.ITA P0057 ASSY.	230V
05	146520100	996530016342	BAKED CLAY GRINDER 48X28			11013028	996530006587	GEN.MOTOR COFF.GRINDER P0057 ASSY.	120V
06	11012466	996530006412	BRASS BUSH BEAN CONT.FINGER PROTEC.P0057						
07	149198350	996530017952	BLK LOWER COFFEEGRINDER GRINDER SUPPORT						
08	123030300	996530011183	AXIAL BEARING EKKO 342.35252						
09	140360500	996530013597	FELT RING 45,4X39,4X4						
10	11006226	996530003441	BLACK BREW UNIT CONDENSE CONVEYOR P0057						
11	11026355	996530068049	BLK GROUND COFF.OUTLET CONVEYOR V4 ASSY.						
12	11030459	996530072511	GRY GROUND COFFEE CONT.LOWER SEAL SMART1						
13	226000300	996530029609	GEAR SX Z=38 FOR GRINDER MOTION ASSY.						
14	11000513	996530000317	MOTOR COFFEEGRINDER V3.1 ASSY.	230V					
	11000511	996530000315	MOTOR COFFEEGRINDER V3.1 ASSY.	120V					
15	149214800	996530018139	MC V3 MOD=1,25 WORM SCREW CENTRING CAP						
16	129661702	996530012992	SCREW TCB TORX 3,5X30 PLAST.ZN-B						
17	11002873	996530001389	INSULATOR BUSH FOR GRINDER MOTOR P124						
18	11000597	996530000376	COFFEE GRINDER SUPPORT SPRING P124						
19	11012237	996530006334	BLACK BEAN CONTAIN.FINGER PROTECT.P0057						
20	128381902	996530012375	STEEL FLAT WASHER DI=4,3 DE=14 SP=1,5						
21	149199050	996530017963	BLK SENSOR SUPPORT FOR COF.GRINDER MOTOR						
22	11000194	996530000115	BLACK COFFEEGRINDER MOTOR SUPPORT P124						
23	181540900	996530022784	ELECTR.BOARD WITH SENSOR HAL506 SF-K						
24	123030200	996530011182	RADIAL BEARING 61900.2RS1						
25	128381800	996530012374	STEEL CRINKLE WASHER 21,8X14X0,25						
26	142905450	996530015258	BLK UPPER BODY WITH COFFEE GROUND OUTLET						
27	11008871	996530005073	3 POLES CONNECTOR MC SENSOR S0053 UL						
28	11002613	996530001314	LOWER COFFEEGRINDER GEAR SUPPORT P124						
29	11002572	996530001308	COFFEEGRINDER REGULATION SPRING P124						
30	11003784	996530001907	COFFEE GRINDING ADJUSTMENT GEAR P0049						
31	11003446	996530001673	BLACK BEAN COFFEE GRINDER INSERT P0049						
32	11002508	996530001296	UPPER COFFEEGRINDER GEAR SUPPORT P124						
33	129914002	996530013165	SCREW TCB TORX 10 3,5X16 PLAST.ZN-B						
34	129574802	996530012928	SCREW TCB TORX 20 M4X30 ZN-B						
35	U043.004	996530061808	ZN-B TCB SCREW M4X16						
36	128310402	996530012341	GALV.WASHER UNI 8842 A4						

PSA XSMALL

TABLE 5/7



PHILIPS

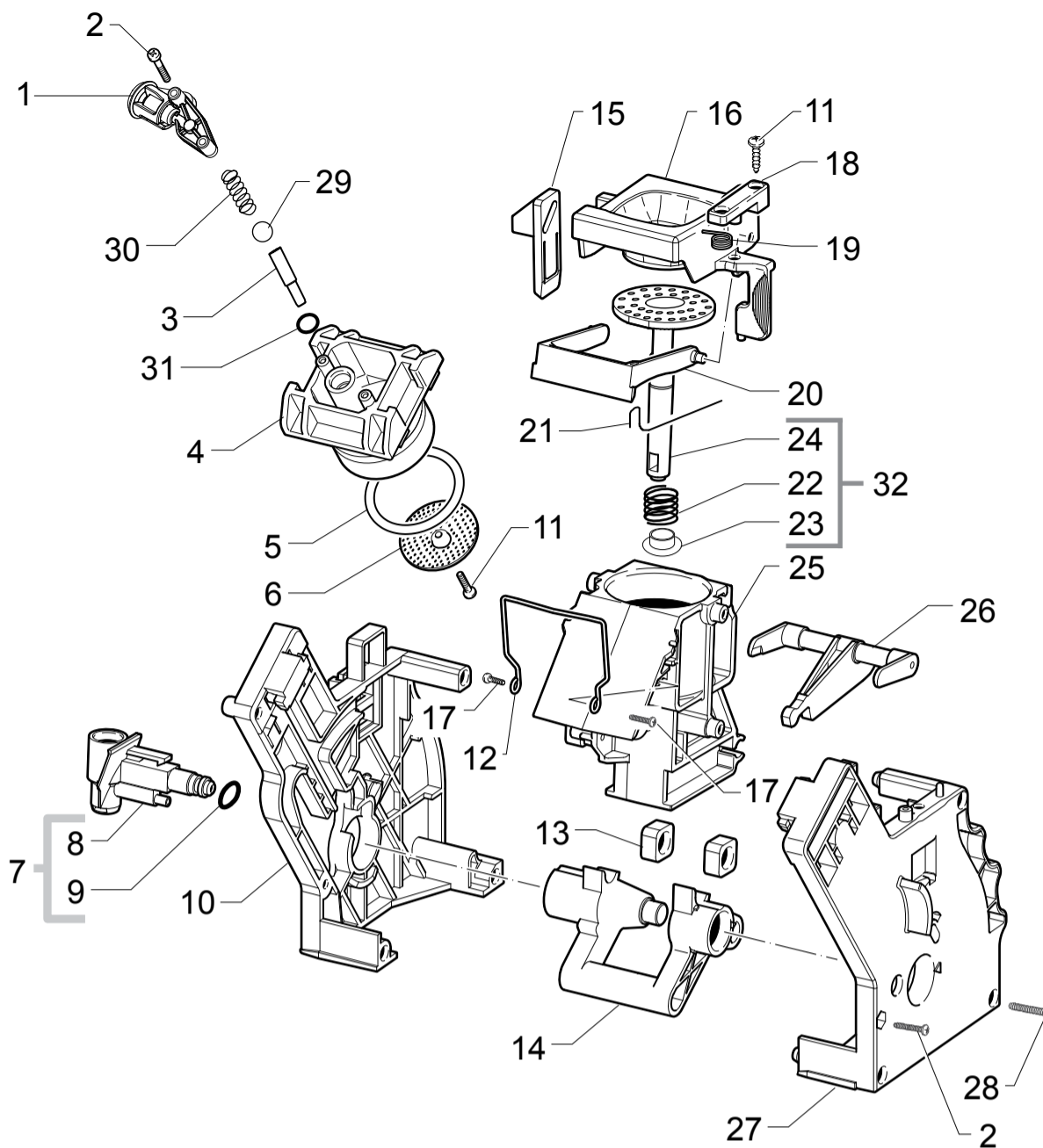
Saeco

HD8743/03-11-12-13-15-16-17-19
 HD8745/01-02-03-04-05-06-07-09-11-12-18-19-21
 HD8745/22-23-41-42-43-44-47 HD8747/01-02-03-09



Cod. 882874303530-10003588-89-90-91-3600-01-34
 Cod. 10003559-80-83-84-85-86-87-3602-3227-3633-3802-03-20
 Cod. 10003581-82-92-93-94-95-3934-4087-4437-38- 3900

POS	CODE	12NC	DESCRIPTION	NOTE	POS	CODE	12NC	DESCRIPTION	NOTE
01	17000366	996530066736	BLK RATIOMOTOR MOUNTING PLATE XSMC ASSY.						
02	12001841	996530073474	MICROSWITCH XC/V4D						
03	20000900	996530009913	SPARES KIT GEARS FOR RATIOMOTOR V2						
04	9161.132	996530050569	MYLAR WASHER FOR RATIOMOTOR						
05	11003037	996530001426	MOTOR FOR RATIOMOTOR ASSY.						
06	9121.046	996530049898	BRONZE SINTERED BUSH FOR MOTOR RATIOMOT.						
07	148380200	996530017424	BAKELIZZATE WASHER D=5,5						
08	9121.044	996530049896	ANTIVIBRATION FOR MOTOR						
09	11003754	996530001899	BLK RATIOMOT.MOUNTING PLATE COVER P0057						
10	12001728	996530070321	SCREW TCBR TORX 10 3,5X12 PLAST.SS						
11	11013531	996530006805	PIN FOR FLOW SELECTOR FAUCET P0057 ASSY.						
12	11013530	996530006804	PIN FOR FLOW SELECTOR FAUCET V2 P0057						
13	NM01.035	996530059399	OR ORM 0090-20 SILICONE						
14	NM01.057	996530059419	OR ORM 0050-20 IN SILICONE						
15	12001890	996530073209	MICROSWITCH XG/V3D						
16	11012382	996530006384	BLACK BREW UNIT 8GR.5BAR P0057						



PHILIPS

Saeco

HD8743/03-11-12-13-15-16-17-19
 HD8745/01-02-03-04-05-06-07-09-11-12-18-19-21
 HD8745/22-23-41-42-43-44-47 HD8747/01-02-03-09



Cod. 882874303530-10003588-89-90-91-3600-01-34
 Cod. 10003559-80-83-84-85-86-87-3602-3227-3633-3802-03-20
 Cod. 10003581-82-92-93-94-95-3934-4087-4437-38-3900

POS	CODE	12NC	DESCRIPTION	NOTE	POS	CODE	12NC	DESCRIPTION	NOTE
01	11009362	996530005415	BLK COF.OUTLET SLEEVE BREW UNIT S0053 AS						
02	12000550	996530007838	SCREW TCB TORX 10 3X25 PLAST.SS						
03	11009276	996530005372	BLK COUNTER PISTON TUBE BREW UNIT S0053						
04	11001840	996530001046	BLACK COUNTER PISTON BREW UNIT 8GR.P124						
05	NM01.044	996530059406	OR ORM 0320-40 SILICONE PTFE/FDA						
06	9161.268	996530050709	PERCOLATOR DE=35,8 ELFO						
07	20000440	996530009825	BLACK WATER INLET SLEEVE BREW UNIT ASSY.						
08	9161.064.050	996530050488	BLACK WATER INLET SLEEVE BREW UNIT ROYAL						
09	NM02.007	996530059441	OR 2025 IN TERMOIL						
10	9161.375.050	996530050832	BLACK BREW UNIT REAR PLATE SMART						
11	12000895	996530007951	SCREW TSP TORX 10 3X10 PLAST.SS						
12	11001556	996530000898	SS BREW UNIT SPRING H=49 SMART						
13	9161.094.050	996530050539	BLACK BREW UNIT DRILLED BLOCK						
14	9161.066.050	996530050492	BLACK BREW UNIT ELBOW SHAFT M5000						
15	9161.373.050	996530050827	BLACK BREW UNIT COUPLING PLATE SMART						
16	149261350	996530018241	BLACK HOPPER DOSER BREW UNIT SMART1						
17	129912521	996530013148	SCREW TCB TORX 10 3,5X14 PLAST.SS						
18	9161.374.050	996530050829	BLK BREWUNIT HOPPER BLOCKING PLATE SMART						
19	9161.378	996530050838	SS HOPPER SPRING FOR BREW UNIT SMART						
20	11004161	996530002096	BLACK SCRAPER FOR BREW UNIT M5000						
21	9161.046	996530050455	SS SCRAPER SPRING FOR BREW UNIT						
22	9161.198	996530050627	SS.8GR.BREW UNIT PISTON SPRING						
23	9161.191	996530050618	WHITE 8GR.-12GR.BREW UNIT PISTON BUSH						
24	11003077	996530001451	BLK BREW UNIT INTEGRAL PISTON 8GR.ASSY.						
25	11003075	996530001448	BLACK COFFEE CONTAINER BREW UNIT P124						
26	11003078	996530001452	BLACK CONNECTING ROD BREW UNIT 8GR.						
27	11005920	996530003228	BLACK BREW UNIT FRONT PLATE S/SCR.SMART						
28	12000897	996530007953	SCREW TCB TORX 10 3,5X20 PLAST.SS						
29	9991.168	996530051874	GLASS SPHERE D.5 MM						
30	11012095	996530006305	SS COFFEE UNIT CONTERPISTON SPRING S0053						
31	140328761	996530013575	OR ORM 0060-15 TERMOIL						
32	11023086	996530007577	BLK 8GR.BREW UNIT NTEGR.PISTON GEN.ASSY.						
	11012382	996530006384	BLACK BREW UNIT 8GR.5BAR P0057						