

HD8750/11-13-19-81-99
HD8751/95
HD8752/85-95



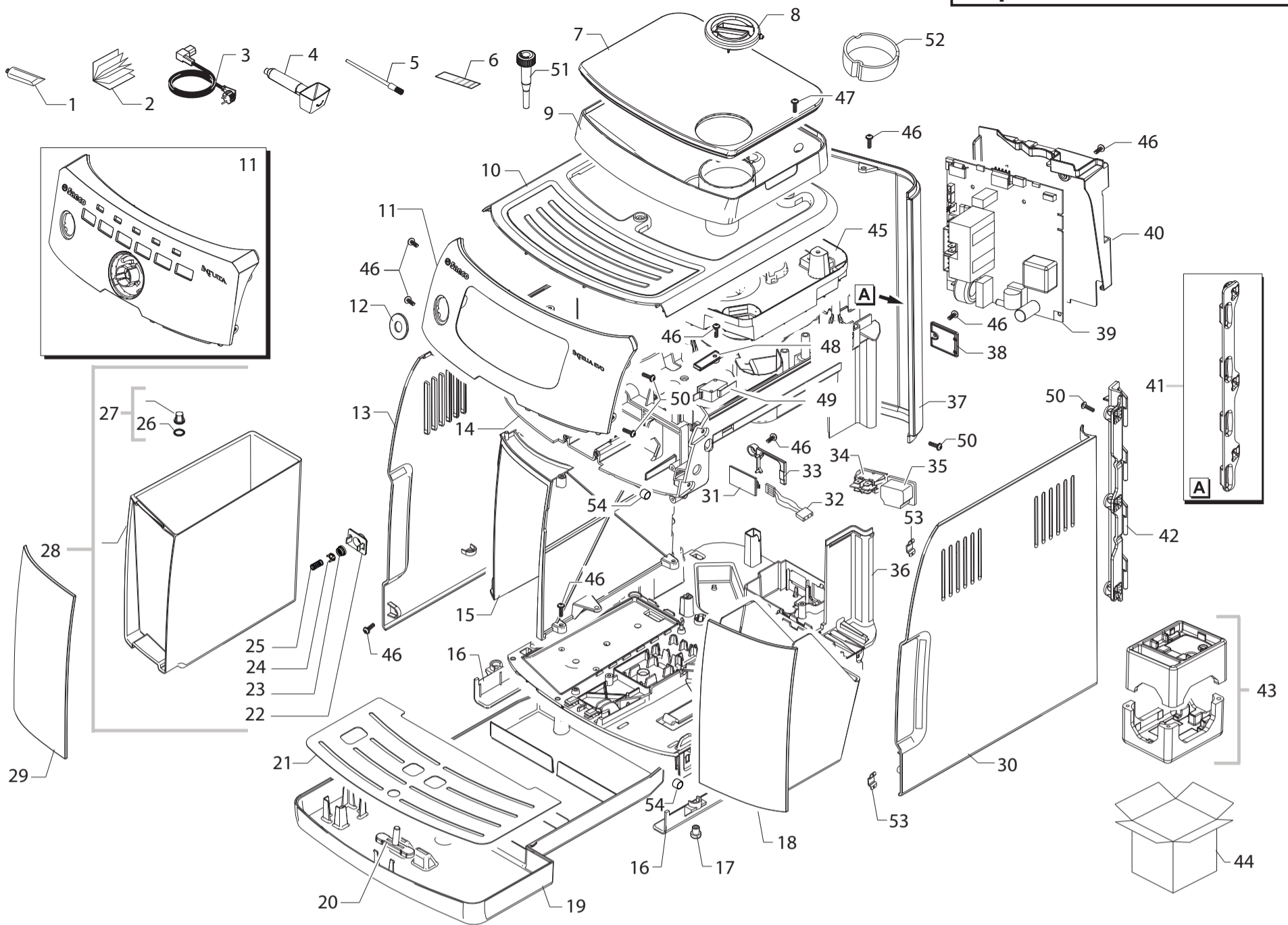
Cod.10004173-4230-31
Cod.10004205-06-22
Cod.10004323-32

| POS | CODE | 12NC | DESCRIPTION | NOTE | POS | CODE | 12NC | DESCRIPTION | NOTE |
|-----|----------|--------------|--------------------------------------|------|-----|-----------|--------------|--|------|
| 01 | 11028379 | 996530070318 | PSA KLUBER TRIBOSTAR SIL 2 TUBE 5GR. | | 02 | 15003282 | 996530072537 | MANUAL SAE HD8751 NPR/P IT | |
| 02 | 15003222 | 996530072505 | MANUAL SAE HD8750 NPR/B IT | | | 15003304 | 996530072539 | MANUAL SAE HD8752 NPR/H FI | |
| | 15003223 | 996530072506 | MANUAL SAE HD8750 NPR/B GB | | | 15003549 | 996530072925 | MANUAL SAE HD8750/81 NPR/B IT | |
| | 15003224 | 996530072459 | MANUAL SAE HD8750 NPR/B DE | | | 15003550 | 996530072919 | MANUAL SAE HD8750/81-HD8750/99 NPR/B GB | |
| | 15003225 | 996530072484 | MANUAL SAE HD8750 NPR/B FR | | | 15003551 | 996530072918 | MANUAL SAE HD8750/81 NPR/B DE | |
| | 15003226 | 996530072502 | MANUAL SAE HD8750 NPR/B ES | | | 15003552 | 996530072926 | MANUAL SAE HD8750/81 NPR/B FR | |
| | 15003228 | 996530072532 | MANUAL SAE HD8750 NPR/B NL | | | 15003553 | 996530072922 | MANUAL SAE HD8750/81 NPR/B ES | |
| | 15003371 | 996530072466 | MANUAL SAE HD8750 NPR/B PL | | | 15003554 | 996530072914 | MANUAL SAE HD8750/81 NPR/B NL | |
| | 15003372 | 996530072481 | MANUAL SAE HD8750 NPR/B RU | | | 15003776 | 996530072927 | MANUAL SAE HD8750/99 NPR/B PL | |
| | 15003373 | 996530072541 | MANUAL SAE HD8750 NPR/B HU | | | 15003777 | 996530072916 | MANUAL SAE HD8750/99 NPR/B RU | |
| | 15003291 | 996530072451 | MANUAL SAE HD8751 NPR/P SV | | | 15003778 | 996530072917 | MANUAL SAE HD8750/99 NPR/B HU | |
| | 15003379 | 996530072453 | MANUAL SAE HD8750 NPR/B CR | | | 15003779 | 996530072929 | MANUAL SAE HD8750/99 NPR/B CS | |
| | 15003297 | 996530072454 | MANUAL SAE HD8752 NPR/H DE | | | 15003780 | 996530072912 | MANUAL SAE HD8750/99 NPR/B SK | |
| | 15003296 | 996530072458 | MANUAL SAE HD8752 NPR/H GB | | | 15003781 | 996530072923 | MANUAL SAE HD8750/99 NPR/B UA | |
| | 15003290 | 996530072461 | MANUAL SAE HD8751 NPR/P DA | | | 15003782 | 996530072931 | MANUAL SAE HD8750/99 NPR/B SL | |
| | 15003380 | 996530072462 | MANUAL SAE HD8750 NPR/B BG | | | 15003783 | 996530072928 | MANUAL SAE HD8750/99 NPR/B RO | |
| | 15003295 | 996530072467 | MANUAL SAE HD8752 NPR/H IT | | | 15003784 | 996530072924 | MANUAL SAE HD8750/99 NPR/B CR | |
| | 15003374 | 996530072471 | MANUAL SAE HD8750 NPR/B CS | | | 15003785 | 996530072921 | MANUAL SAE HD8750/99 NPR/B BG | |
| | 15003293 | 996530072472 | MANUAL SAE HD8751 NPR/P NO | | | 15003786 | 996530072913 | MANUAL SAE HD8750/99 NPR/B SR | |
| | 15003378 | 996530072476 | MANUAL SAE HD8750 NPR/B RO | | 03 | 183911050 | 996530025808 | BLACK POWER CABLE SCHUKO L=1200 | |
| | 15003292 | 996530072479 | MANUAL SAE HD8751 NPR/P FI | | | 183940650 | 996530025872 | BLACK POWER CABLE AUSTRALIA L=1200 | |
| | 15003300 | 996530072483 | MANUAL SAE HD8752 NPR/H PT | | 04 | 146680850 | 996530016529 | BLACK COFFEE MEASURE SMART | |
| | 15003288 | 996530072485 | MANUAL SAE HD8751 NPR/P NL | | 05 | 127390100 | 996530011867 | BRUSH FOR CLEANING | |
| | 15003299 | 996530072488 | MANUAL SAE HD8752 NPR/H ES | | 06 | 0301.961 | 996530039604 | STICKER FOR WATER HARDNESS TEST | |
| | 15003287 | 996530072489 | MANUAL SAE HD8751 NPR/P PT | | 07 | 17001245 | 996530068681 | NAT/GREY BEAN COFFEE CONTAIN.LID NPR/H-T | |
| | 15003381 | 996530072497 | MANUAL SAE HD8750 NPR/B SR | | | 17001470 | 996530068715 | NAT/GREY BEAN COFFEE CONTAINER LID NPR/P | |
| | 15003289 | 996530072498 | MANUAL SAE HD8751 NPR/P GR | | | | | EVO CLASS / CLASS METAL | |
| | 15003298 | 996530072501 | MANUAL SAE HD8752 NPR/H FR | | | | | EVO FOCUS / INTUITA | |
| | 15003285 | 996530072503 | MANUAL SAE HD8751 NPR/P FR | | 08 | 17001244 | 996530068685 | NAT/GREY GROUND COFFEE HOPPER LID NPR | |
| | 15003303 | 996530072507 | MANUAL SAE HD8752 NPR/H NO | | 09 | 17001234 | 996530068743 | NAT/GREY BEAN COFFEE CONTAINER NPR | |
| | 15003303 | 996530072507 | MANUAL SAE HD8752 NPR/H NO | | 10 | 11030619 | 996530072457 | MATT/BLACK UPPER CASING COVER NPR/P | |
| | 15003284 | 996530072513 | MANUAL SAE HD8751 NPR/P DE | | | 20007121 | 996530072469 | SPARES KIT SS/ANT UPPER CASING COV.NPR/H | |
| | 15003302 | 996530072516 | MANUAL SAE HD8752 NPR/H SV | | | | | EVO CLASS / CLASS METAL | |
| | 15003286 | 996530072522 | MANUAL SAE HD8751 NPR/P ES | | 11 | 11029836 | 996530072492 | BLACK FRONT PANEL S/SCR.NEW NPR/H-P | |
| | 15003301 | 996530072524 | MANUAL SAE HD8752 NPR/H NL | | | | | EVO FOCUS | |
| | 15003306 | 996530072529 | MANUAL SAE HD8752 NPR/H GR | | | | | | |
| | 15003305 | 996530072531 | MANUAL SAE HD8752 NPR/H DA | | | | | | |
| | 15003283 | 996530072534 | MANUAL SAE HD8751 NPR/P GB | | | | | | |



INTUITA - INTELIA EVO FOCUS / CLASS / CLASS METAL

TABLE 1a/5



HD8750/11-13-19-81-99
HD8751/95
HD8752/85-95



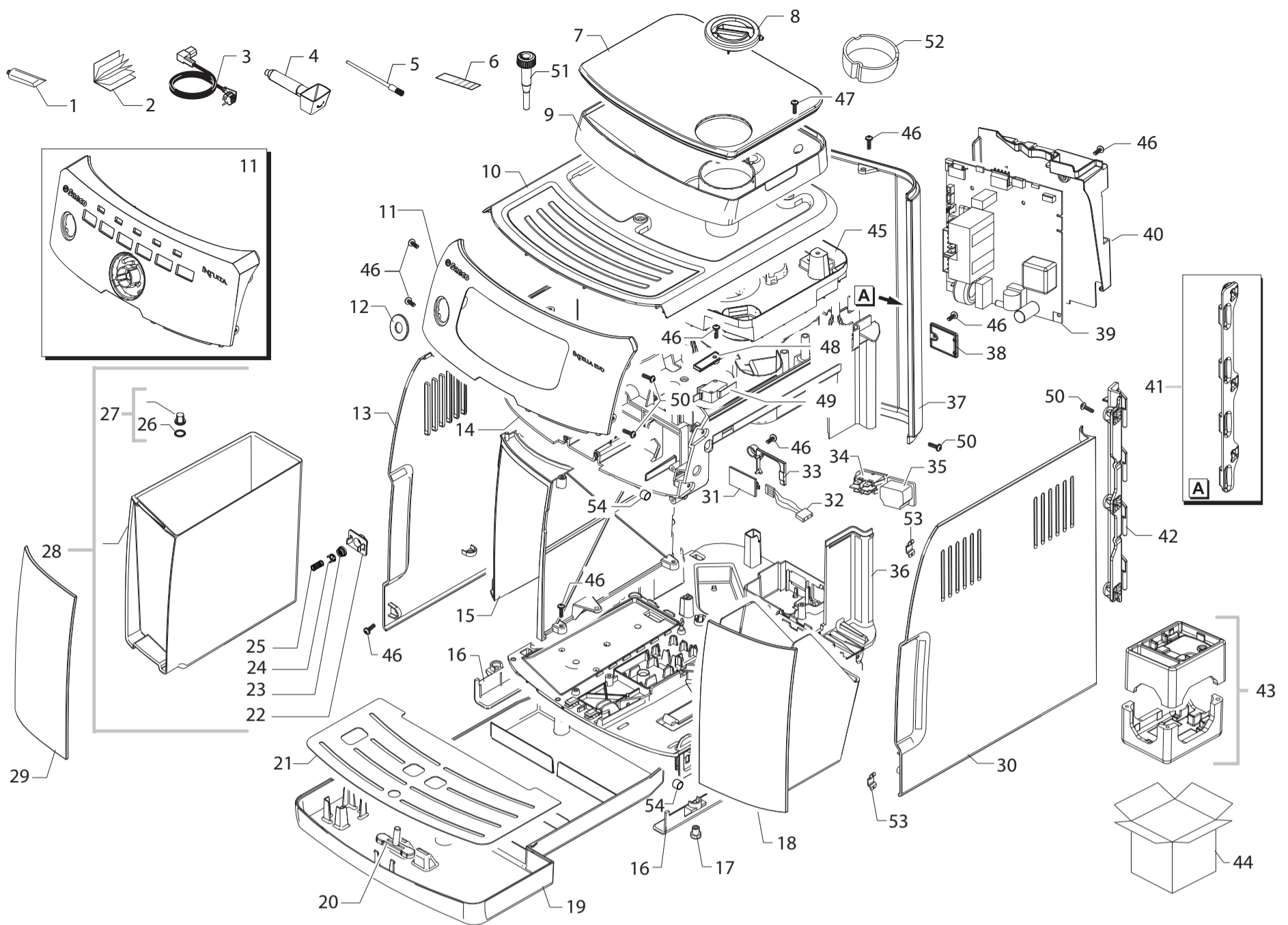
Cod.10004173-4230-31
Cod.10004205-06-22
Cod.10004323-32

| POS | CODE | 12NC | DESCRIPTION | NOTE | POS | CODE | 12NC | DESCRIPTION | NOTE |
|-----|-----------|--------------|---|------|----------|--------------|--------------|---|------|
| 11 | 11030171 | 996530072803 | SS FRONT PANEL S/SCR.NEW NPR/HM ASSY. EVO CLASS METAL | | 25 | 11003672 | 996530001831 | SS SPRING FOR WATER CONTAIN.VALVE P0049 | |
| | 11029858 | 996530072493 | MATT/BLACK FRONT PANEL V2 S/SCR.NPR/B INTUITA BLK BLK | | 26 | 140328461 | 996530013571 | OR ORM 0190-10 EPDM | |
| | 11029857 | 996530072496 | ANTHRAC.FRONT PANEL S/SCR.NEW NPR/H-P EVO CLASS | | 27 | 224640200 | 996530029115 | WHITE WATER CONTAINER EXT.FILTER ASSY. | |
| | 11030645 | 996530072915 | SILVER FRONT PANEL V2 S/SCR.NPR/B INTUITA MAT GRY | | 28 | 11026289 | 996530068674 | NAT/GREY WATER CONTAINER NPR ASSY. | |
| 12 | 11026290 | 996530068757 | CHROM.FRONT PANEL CAP NPR/H-P EVO CLASS / CLASS METAL | | 29 | 11030535 | 996530072456 | MATT/BLACK WATER TANK FRONT COVER NPR INTUITA BLK BLK/FOCUS | |
| | 11030595 | 996530072508 | CRC FRONT PANEL CAP NPR/H-P EVO FOCUS | | 11029853 | 996530072452 | 996530072452 | ANTHRAC.WATER TANK FRONT COVER NPR EVO CLASS | |
| | 11030647 | 996530072518 | CRC FRONT PANEL CAP NPR/B ALL MODELS | | 11028561 | 996530070361 | 996530070361 | SS WATER TANK FRONT COVER NPR/HM ASSY. EVO CLASS METAL | |
| 13 | 17001299 | 996530068729 | BLACK LEFT SIDE CASING NPR | | 11030559 | 996530072907 | 996530072907 | SILVER WATER TANK FRONT COVER NPR INTUITA MAT GRY | |
| 14 | 17001117 | 996530068668 | BLACK COFFEE GRINDER SUPP.PLATE NPR/H-P | | 30 | 17000739 | 996530072473 | MATT/BLACK RIGHT SIDE DOOR V2 NPR | |
| 15 | 17001114 | 996530068752 | BLACK CASING BOTTOM INSERT NPR ALL MODELS | | 31 | 11003232 | 996530001522 | AS.CPU+SW WATER LEVEL SENSOR V2 | |
| 16 | 17001110 | 996530068723 | BLACK DRIP TRAY GUIDE NPR | | 32 | 17800165 | 996530068745 | 3POLES CONNECTOR WATER LEVEL CLP UL | |
| 17 | 147622800 | 996530016875 | TRANSPARENT SILICONE FOOT | | 33 | 17001179 | 996530068749 | BLK CAPACIT.SENSOR LOCKING INSERT NPR | |
| 18 | 11030534 | 996530072525 | MATT/BLACK DUMP BOX NPR/H-P EVO CLASS/FOCUS/INTUITA | | 34 | NE03.038 | 996530058836 | BIPOLAR SWITCH FUSIT C1250AR | |
| | 11028562 | 996530070355 | SS DUMP BOX NPR/HM ASSY. EVO CLASS METAL | | 35 | 12000280 | 996530007788 | CUP SOCKET EN 60320 C 13 | |
| | 11030555 | 996530072904 | SILVER DUMP BOX NPR/H-P INTUITA MAT GRY | | 36 | 17000771 | 996530069927 | BLACK CASING BOTTOM V2 NPR/H-P ALL MODELS | |
| 19 | 11030489 | 996530072526 | MATT/BLACK DRIP TRAY NPR/H-P ONLY INTUITA | | 37 | 17001240 | 996530068714 | BLACK REAR CASING NPR | |
| | 17001637 | 996530072533 | BLACK DRIP TRAY V2 NPR/H-P ALL MODELS | | 38 | 17001484 | 996530068728 | BLACK REAR CASING PROGRAM.INSERT NPR | |
| 20 | 11013184 | 996530006683 | RED FLOAT FOR DRIP TRAY XSM | | 39 | 11026009 | 996530068707 | AS.CPU+SW NPR/H-P 230V 230V ALL MODELS | |
| 21 | 11027821 | 996530068683 | BA/SS GRATE FOR DRIP TRAY NPR/H ONLY INTUITA | | | 11029669 | 996530072449 | CPU+SW NPR/B 230V ASSY. 230V ONLY INTUITA | |
| | 17001635 | 996530072536 | SB/SS GRATE FOR DRIP TRAY V2 NPR/H-P ALL MODELS | | 40 | 11012301 | 996530006364 | BLACK PWR/CPU BOARD PROTECTION P0057 | |
| 22 | 11001298 | 996530000733 | BLACK LID FOR DUCKBILL VALVE P0049 | | 41 | 11012714 | 996530006495 | BLACK HINGE FOR REAR CASING XSM | |
| 23 | 11003671 | 996530001829 | TRANSP.VALVE FOR WATER CONTAINER P0049 | | 42 | 11012713 | 996530006494 | BLACK HINGE FOR DOOR RIGHT SIDE XSM | |
| 24 | 11003673 | 996530001832 | GREY WATER CONTAINER VALVE INSERT P0049 | | 43 | 20007020 | 996530068711 | KIT PS-E INSERT FOR BOX NPR/H-P ALL MODELS | |
| | | | | | | 20007110 | 996530072468 | KIT PS-E INSERT FOR BOX NPR/B ONLY INTUITA | |
| | | | | | 44 | 13001545 | 996530072519 | DISPL.BOX NPR/P SAE INTELIA EVO FOCUS WE | |
| | | | | | | 13001546 | 996530072521 | DISPL.BOX NPR/H SAE INTELIA EVO CLASS WE | |



INTUITA - INTELIA EVO FOCUS / CLASS / CLASS METAL

TABLE 1b/5



HD8750/11-13-19-81-99
 HD8751/95
 HD8752/85-95

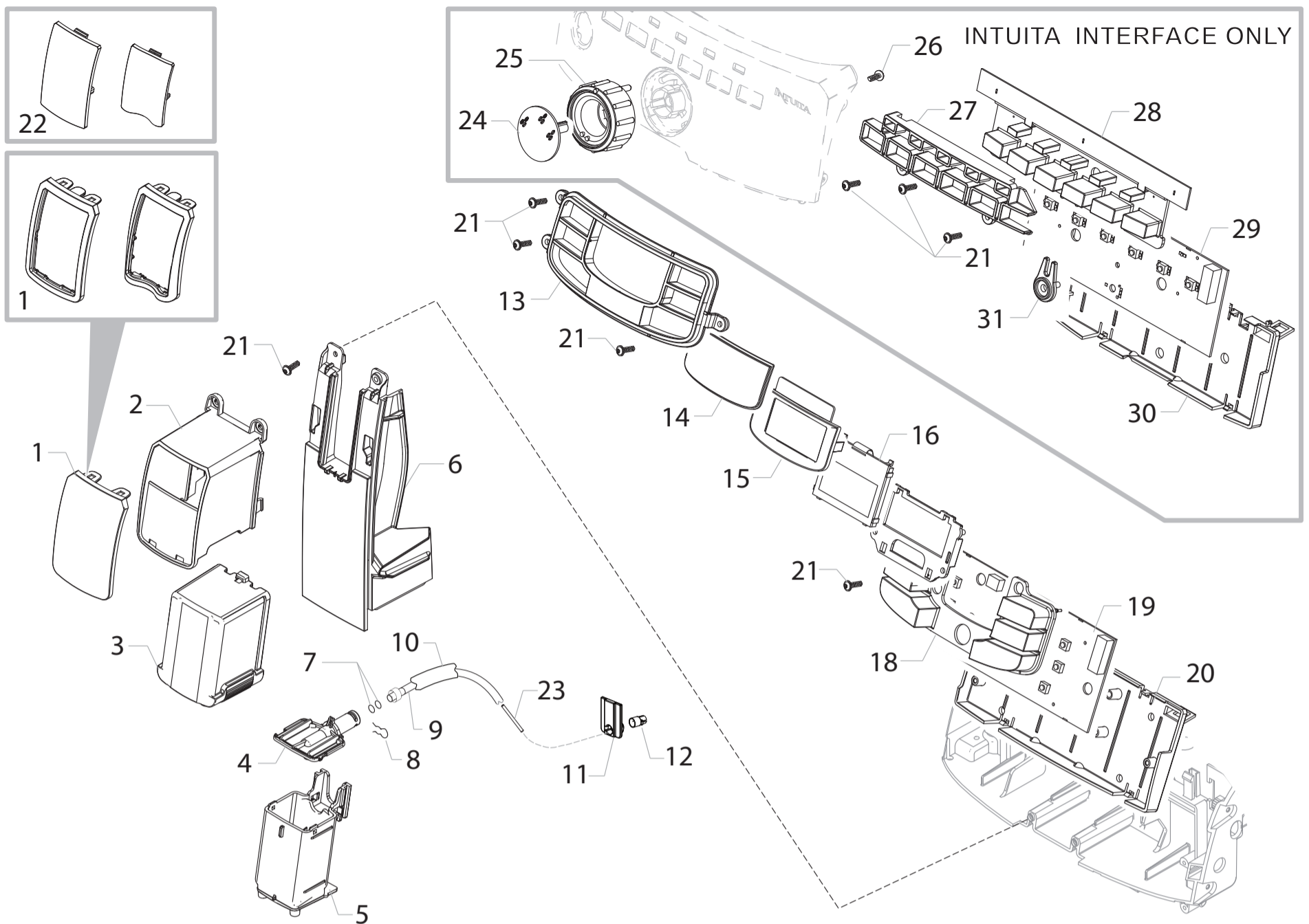


Cod.10004173-4230-31
 Cod.10004205-06-22
 Cod.10004323-32

| POS | CODE | 12NC | DESCRIPTION | NOTE | POS | CODE | 12NC | DESCRIPTION | NOTE |
|-----|-----------|--------------|--|------|-----|------|------|-------------|------|
| 44 | 13001570 | 996530072504 | DISP.BOX NPR/HM SAE INTELIA EVOCL.MET.WE | | | | | | |
| | 13001495 | 996530072478 | FLEXGR.BOX NPR/B SAE INTUITA WE | | | | | | |
| | 13001550 | 996530072475 | FLEXGR.BOX NPR/B SAE INTUITA CEE | | | | | | |
| 45 | 17001217 | 996530068678 | COFFEE GRINDER SOUNDPROOFING COVER NPR | | | | | | |
| 46 | 12000450 | 996530007819 | SCREW TCBR TORX 10 3,5X12 PLAST.ZN-N | | | | | | |
| 47 | 129914002 | 996530013165 | SCREW TCB TORX 10 3,5X16 PLAST.ZN-B | | | | | | |
| 48 | 17000064 | 996530067437 | BLK CAPACIT.SENSOR DEADLOCK INSERT XSM | | | | | | |
| 49 | NE05.013 | 996530058847 | MICROSWITCH SAIA XGK52-81-J23 | | | | | | |
| 50 | 12001728 | 996530070321 | SCREW TCBR TORX 10 3,5X12 PLAST.SS | | | | | | |
| 51 | 11003785 | 996530001908 | BLACK GRINDER ADJUSTMENT KEY P0049 INTUITA | | | | | | |
| 52 | 17001479 | 996530072514 | NAT/GREY BEAN COFFEE CONT.INSERT NPR/B INTUITA | | | | | | |
| 53 | 11013220 | 996530069857 | STEEL PLATE FOR DOOR MAGNET XSM | | | | | | |
| 54 | 9161.111 | 996530050555 | MAGNET FOR FLOAT SUPERAUT. | | | | | | |



INTUITA - INTELIA EVO FOCUS / CLASS / CLASS METAL



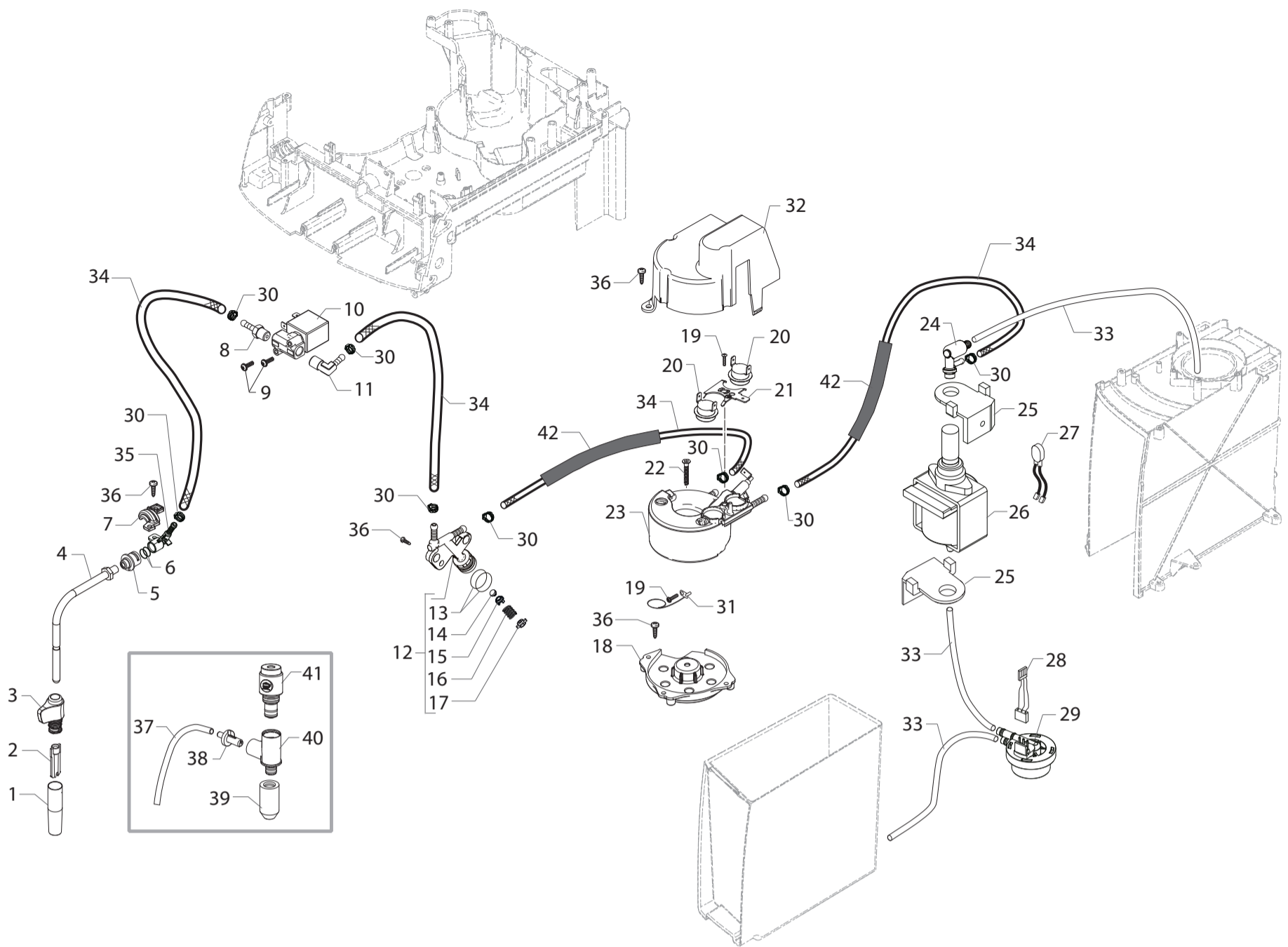
HD8750/11-13-19-81-99
HD8751/95
HD8752/85-95



Cod.10004173-4230-31
Cod.10004205-06-22
Cod.10004323-32

| POS | CODE | 12NC | DESCRIPTION | NOTE | POS | CODE | 12NC | DESCRIPTION | NOTE |
|-----|-----------|--------------|--|---------|----------|--------------|--------------|--|------|
| 01 | 11030532 | 996530072509 | MATT/BLK COF.DISPENS.FRONT PLATE NPR/H-P INTUITA BLK BLK | | 14 | 17001112 | 996530068675 | TRANSP.GLASS FOR DISPLAY NPR | |
| | 11029779 | 996530072482 | CHROM.COFF.DISPEN.FRONT PLATE V2 NPR/H-T EVO CLASS | | 15 | 17001111 | 996530068673 | BLACK DISPLAY FRAME NPR | |
| | 11028589 | 996530070369 | SS COF.DISPENS.FRONT PLATE NPR/HT-TM ASS EVO CLASS METAL | | 16 | 12001630 | 996530068064 | GRAPHIC DISPLAY NPR | |
| | 11029798 | 996530072538 | CRC COFF.DISPENSER FRONT PLATE V2 NPR/P EVO FOCUS | | 17 | 17001100 | 996530068682 | BLACK DISPLAY SUPPORT NPR | |
| | 11030553 | 996530072911 | SILVER COF.DISPENSER FRONT PLATE NPR/H-P INTUITA MAT GRY | | 18 | 11029681 | 996530072495 | BLACK 6BUTTONS TOUCH PANEL S/SCR.NPR/P EVO FOCUS | |
| 02 | 11030531 | 996530072512 | MATT/BLACK COFFEE DISPENSER LID NPR EVO FOCUS/INTUITA | | 11026476 | 996530068755 | 996530068755 | SIL.6BUTTONS TOUCH PANEL S/S.STEAM NPR/H EVO CLASS/CLASS METAL | |
| | 11030529 | 996530072523 | CRC COFFEE DISPENSER LID NPR EVO CLASS | | 19 | 11025830 | 996530068721 | KYB - INTERFACE NPR/H-T EVO CLASS/CLASS METAL | |
| | 11030355 | 996530072499 | ANTHRAC.COFFEE DISPENSER LID NPR EVO CLASS METAL | | 11025833 | 996530068666 | 996530068666 | KYB - INTERFACE NPR/P EVO FOCUS | |
| 03 | 17001242 | 996530068698 | BLACK COFFEE DISPENSER MOBILE PART NPR | | 20 | 17001096 | 996530068736 | BLACK DISPLAY KEYBOARD SUPPORT NPR | |
| 04 | 17001246 | 996530068742 | BLACK COFFEE DISPENSER BODY LID NPR | | 21 | 12000450 | 996530007819 | SCREW TCBR TORX 10 3,5X12 PLAST.ZN-N | |
| 05 | 17001237 | 996530068667 | BLACK COFFEE DISPENSER BODY NPR | | 22 | 11029841 | 996530072491 | CRC COFF.DISPENSER FRONT INSERT NPR/H-T EVO CLASS | |
| 06 | 11030536 | 996530072527 | MATT/BLACK FRONT CASING COVER V2 NPR EVO FOCUS/INTUITA BLK BLK | | 17001665 | 996530072464 | 996530072464 | MATT/BLK COFF.DISPENS.FRONT INSERT NPR/P EVO FOCUS | |
| | 11028558 | 996530070368 | SS FRONT CASING COVER NPR/HM ASSY. EVO CLASS METAL | | 23 | 17000266 | 996530071774 | SS.L=22,6MM INT.BUSH FOR TEFLON TUBE D4 | |
| | 11030564 | 996530072463 | CRC FRONT CASING COVER V2 NPR EVO CLASS | | 24 | 11029840 | 996530072535 | TRANS.CONTR.KNOB OUTER COVER S/SCR.NPR/B ONLY INTUITA | |
| | 11030562 | 996530072909 | SILVER FRONT CASING COVER V2 NPR INTUITA MAT GRY | | 25 | 11029469 | 996530072517 | CRC CONTROL KNOB V2 NPR/B ONLY INTUITA | |
| 07 | 140328059 | 996530013564 | OR 2015 SILICONE PTFE/FDA | | 26 | 129913202 | 996530013156 | SCREW TCB TORX 10 3X8 PLAST.ZN-B | |
| 08 | 9011.144 | 996530048885 | SS FORK FOR TUBE D=4 | | 27 | 17001370 | 996530072494 | NEUTR.6BUTTONS TOUCH PANEL INSERT NPR/B ONLY INTUITA | |
| 09 | 11004132 | 996530002073 | TEFLON TUBE 2X4 L=250 MM ASSY. | | 28 | 11029185 | 996530072474 | BLK 6BUTTONS TOUCH PANEL S/S.STEAM NPR/B ONLY INTUITA BLK BLK | |
| 10 | 149361200 | 996530018278 | BLACK SILICONE TUBE 7,5X9,3 | IN ROLL | 11030731 | 996530072932 | 996530072932 | LK 6BUTTONS TOUCH PANEL S/SC.CAPP.NPR/B ONLY INTUITA MAT GRY | |
| 11 | 11005100 | 996530002748 | PLATE FOR BUSH TEFLON TUBE 2X4 P124 | | 29 | 11028512 | 996530072455 | KYB - INTERFACE NPR/B ONLY INTUITA BLK BLK | |
| 12 | 11005101 | 996530002749 | BLACK BUSH FOR TEFLON TUBE 2X4 P124 | | 30 | 17001319 | 996530072528 | BLACK LED KEYBOARD SUPPORT NPR ONLY INTUITA | |
| 13 | 11029834 | 996530072465 | CRC TOUCH PANEL FRAME NPR/H-P EVO FOCUS | | 31 | 17001639 | 996530072487 | CONTROL KNOB V2 POTENTIOM.INS.NPR/B ONLY INTUITA | |
| | 11026781 | 996530068761 | CHROM.TOUCH PANEL FRAME NPR/H-P EVO CLASS/CLASS METAL | | | | | | |





HD8750/11-13-19-81-99
HD8751/95
HD8752/85-95



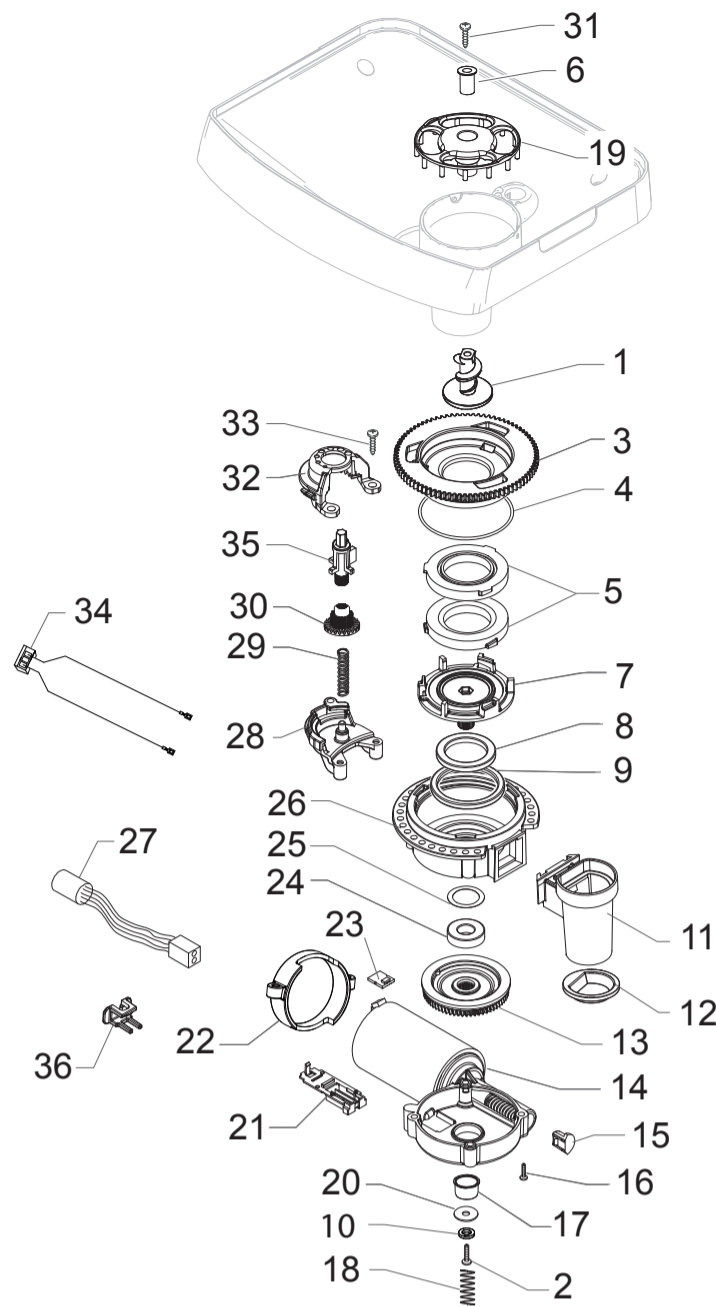
Cod.10004173-4230-31
Cod.10004205-06-22
Cod.10004323-32

| POS | CODE | 12NC | DESCRIPTION | NOTE | POS | CODE | 12NC | DESCRIPTION | NOTE |
|-----|-----------|--------------|---|------------|-----|-----------|--------------|---|---------|
| 01 | 11001621 | 996530000926 | SS PANNARELLO COVER P0049 EVO FOCUS | | 34 | 16000380 | 996530009505 | 5X8,9 SILICONE TUBE | IN ROLL |
| | 11001769 | 996530001012 | BLACK PANNARELLO COVER P0049 INTUITA BLK BLK | | 35 | 11005757 | 996530003103 | STEAM TUBE SUPPORT P0057 | |
| 02 | 11001620 | 996530000925 | BLACK PANNARELLO INNER TUBE P0049 | | 36 | 12000450 | 996530007819 | SCREW TCBR TORX 10 3,5X12 PLAST.ZN-N | |
| 03 | 11007194 | 996530004127 | BLACK STEAM TUBE HANDGRIP G0053 INTUITA/EVO FOCUS | | 37 | 229363500 | 996530031599 | SILICONE TUBE 3,5X6 L=400 MM | |
| 04 | 11027861 | 996530068662 | TF/CHROM.STEAM TUBE D=5,4 NPR ASSY. | | 38 | 17001459 | 996530068727 | BLK CAP.MILK TUBE CONNECT.D=1,05 NPR/H EVO CLASS / CLASS METAL / INTUITA MAT GRY | |
| 05 | 11011127 | 996530005979 | BLACK PA6 BUSH FOR STEAM TUBE P0057 | | 39 | 20007021 | 996530068684 | SPARES KIT SS/BLK CAPP.LOWER PART NPR/H EVO CLASS / CLASS METAL / INTUITA MAT GRY | |
| 06 | 140324461 | 996530013509 | OR ORM 0060-20 TERMOIL | | 40 | 20007022 | 996530068692 | SPARES KIT SS/BLK CAPP.UPPER PART NPR/H EVO CLASS / CLASS METAL / INTUITA MAT GRY | |
| 07 | 11013894 | 996530006914 | BLACK FORK FOR STEAM TUBE GXSM | | 41 | 11026707 | 996530068055 | BLACK STEAM TUBE HANDGRIP S/SCR.NPR/H EVO CLASS / CLASS METAL / INTUITA MAT GRY | |
| 08 | 11024868 | 996530070371 | L-F/BRASS CONNECT.FOR ALUM.BOILER | | 42 | 16000540 | 996530009523 | TRANSPAR.10,5X12,3 SILICONE TUBE | IN ROLL |
| 09 | 129913202 | 996530013156 | SCREW TCB TORX 10 3X8 PLAST.ZN-B | | | 11026286 | 996530068717 | HP/SLIM TUB.BOILER STD 1900W 230V ASSY. WITH PART.N°19-20-21-23-31 COMPLETE | |
| 10 | 11024038 | 996530067667 | BRASS 2WAY EV 21JN1RRV20-XT+LBV05024CU | | | | | | |
| 11 | 11024469 | 996530067632 | L-F/BRASS CONNECTOR FOR BOILER AURA | | | | | | |
| 12 | 17000114 | 996530068077 | FLOW SELECTOR FAUCET NPR | | | | | | |
| 13 | 12000893 | 996530007948 | OR ORM 0120-20 BLACK EPDM | | | | | | |
| 14 | 11008104 | 996530004722 | MUSHROOM VALVE FOR FLOW SELECTOR P0057 | | | | | | |
| 15 | 11008105 | 996530004723 | FLOW SELECTOR VALVE SUPPORT P0057 | | | | | | |
| 16 | 11008077 | 996530004709 | STEEL FLOW SELECTOR VALVE SPRING P0057 | | | | | | |
| 17 | 11008106 | 996530004724 | FLOW SELECTOR VALVE CAP P0057 | | | | | | |
| 18 | 11022791 | 996530007442 | BLACK SLIM/EXSL TUB.BOILER SUPPORT | | | | | | |
| 19 | 12001715 | 996530069758 | SCREW TCB TORX 20 M4X8 AUTOFORMING ZN-B | | | | | | |
| 20 | 12001033 | 996530007973 | THERMOSTAT ONE SHOT 190° | | | | | | |
| 21 | 11001751 | 996530000997 | TUB.BOILER V3 UPPER THERM.FIXING SPRING | | | | | | |
| 22 | 12001280 | 996530008024 | SCREW TSP TORX 10 5X20 PLAST.ZN-B | | | | | | |
| 23 | 17000346 | 996530068751 | HP/SLIM TUB.BOILER ASSY. | 230V-1900W | | | | | |
| 24 | 11004689 | 996530002484 | TEA/BRASS SAFETY VALVE 16-18 BAR ASSY. | | | | | | |
| 25 | 149205850 | 996530018056 | BLACK TYPE ULKA PUMP W/BEVEL SUPPORT | | | | | | |
| 26 | 12000140 | 996530007753 | ULKA PUMP EP5/S GW | 230V-50HZ | | | | | |
| 27 | 17800230 | 996530068726 | 2POLES CONNECTOR PUMP CLP UL | | | | | | |
| 28 | 17800229 | 996530068671 | 3POLES CONNECTOR FLOWMETER CLP UL | | | | | | |
| 29 | NV99.099 | 996530059843 | TURBINE D=1,2 932-8521/00 ASSY. | | | | | | |
| 30 | 12000892 | 996530007947 | OETIKER CLAMP D=9,5 16700004 | | | | | | |
| 31 | 190800100 | 996530026997 | TEMPERATURE SENSOR NTC UL L=280MM | | | | | | |
| 32 | 17001440 | 996530068747 | BLK BOILER INSULATING COVER NPR | | | | | | |
| 33 | JS01.022 | 996530057357 | SILICONE TUBE 5X10 60SH | IN ROLL | | | | | |



INTUITA - INTELIA EVO FOCUS / CLASS / CLASS METAL

TABLE 3/5



HD8750/11-13-19-81-99
 HD8751/95
 HD8752/85-95

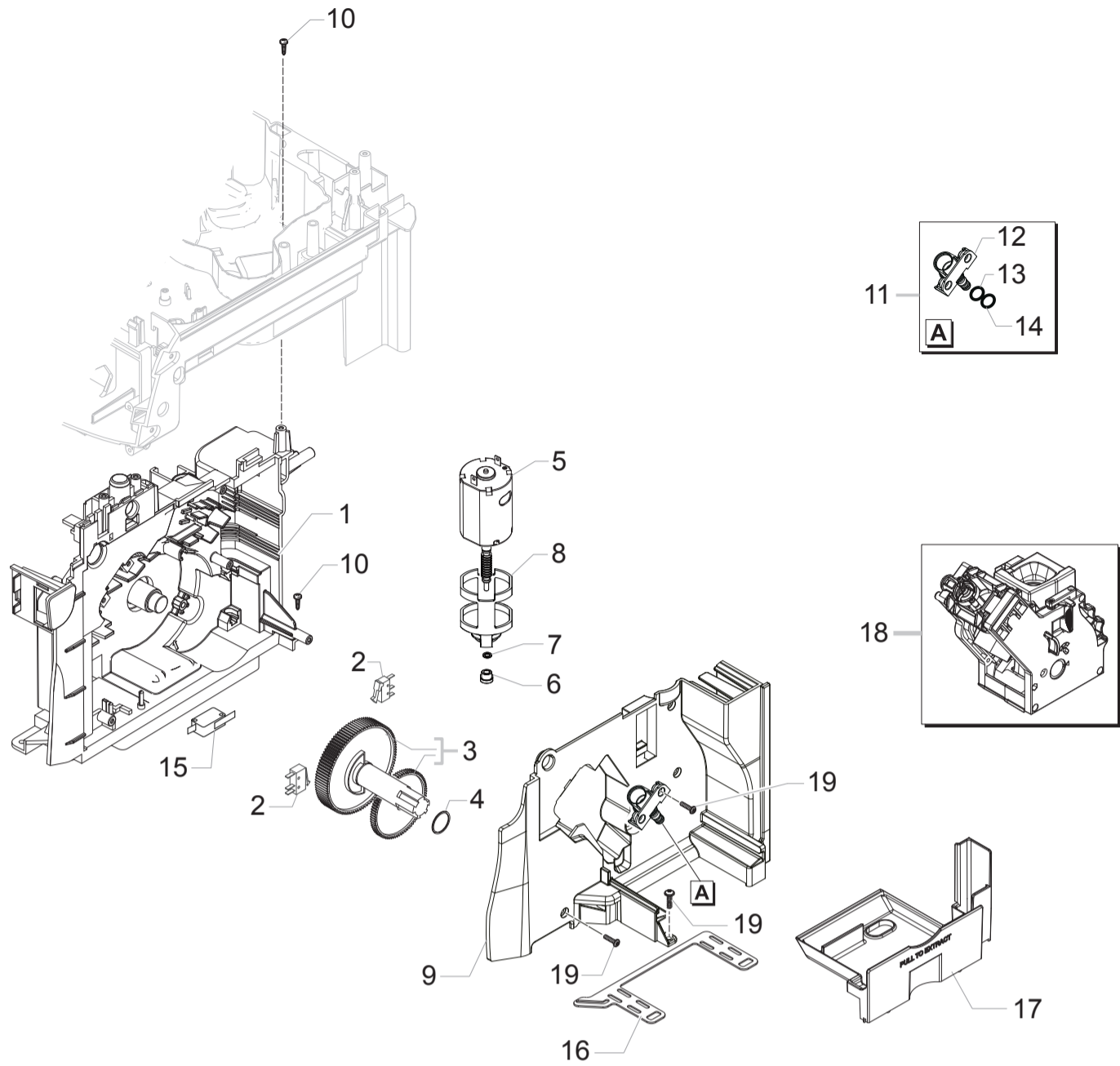


Cod.10004173-4230-31
 Cod.10004205-06-22
 Cod.10004323-32

| POS | CODE | 12NC | DESCRIPTION | NOTE | POS | CODE | 12NC | DESCRIPTION | NOTE |
|-----|-----------|--------------|--|------|-----|------|------|-------------|------|
| 01 | 11010031 | 996530005586 | TEA/ZAMA INCREASE SCREW GRINDER | | | | | | |
| 02 | 129574802 | 996530012928 | SCREW TCB TORX 20 M4X30 ZN-B | | | | | | |
| 03 | 149198250 | 996530017951 | BLK UPPER COFFEEGRINDER GRINDER SUPPORT | | | | | | |
| 04 | 140328960 | 996530013577 | OR ORM 0530-15 NBR FDA | | | | | | |
| 05 | 146520100 | 996530016342 | BAKED CLAY GRINDER 48X28 | | | | | | |
| 06 | 11012466 | 996530006412 | BRASS BUSH BEAN CONT.FINGER PROTEC.P0057 | | | | | | |
| 07 | 149198350 | 996530017952 | BLK LOWER COFFEEGRINDER GRINDER SUPPORT | | | | | | |
| 08 | 123030300 | 996530011183 | AXIAL BEARING EKKO 342.35252 | | | | | | |
| 09 | 140360500 | 996530013597 | FELT RING 45,4X39,4X4 | | | | | | |
| 10 | 128310402 | 996530012341 | GALV.WASHER UNI 8842 A4 | | | | | | |
| 11 | 11026355 | 996530068049 | BLK GROUND COFF.OUTLET CONVEYOR V4 ASSY. | | | | | | |
| 12 | 11030459 | 996530072511 | GRY GROUND COFFEE CONT.LOWER SEAL SMART1 | | | | | | |
| 13 | 226000300 | 996530029609 | GEAR SX Z=38 FOR GRINDER MOTION ASSY. | | | | | | |
| 14 | 11000513 | 996530000317 | MOTOR COFFEEGRINDER V3.1 ASSY. | 230V | | | | | |
| 15 | 149214800 | 996530018139 | MC V3 MOD=1,25 WORM SCREW CENTRING CAP | | | | | | |
| 16 | 129661702 | 996530012992 | SCREW TCB TORX 3,5X30 PLAST.ZN-B | | | | | | |
| 17 | 11002873 | 996530001389 | INSULATOR BUSH FOR GRINDER MOTOR P124 | | | | | | |
| 18 | 11000597 | 996530000376 | COFFEE GRINDER SUPPORT SPRING P124 | | | | | | |
| 19 | 11014285 | 996530007058 | BLK V2 BEAN CONTAIN.FINGER PROTECT.P0057 | | | | | | |
| 20 | 128381902 | 996530012375 | STEEL FLAT WASHER DI=4,3 DE=14 SP=1,5 | | | | | | |
| 21 | 149199050 | 996530017963 | BLK SENSOR SUPPORT FOR COF.GRINDER MOTOR | | | | | | |
| 22 | 11000194 | 996530000115 | BLACK COFFEEGRINDER MOTOR SUPPORT P124 | | | | | | |
| 23 | 181540900 | 996530022784 | ELECTR.BOARD WITH SENSOR HAL506 SF-K | | | | | | |
| 24 | 123030200 | 996530011182 | RADIAL BEARING 61900.2RS1 | | | | | | |
| 25 | 128381800 | 996530012374 | STEEL CRINKLE WASHER 21,8X14X0,25 | | | | | | |
| 26 | 142905450 | 996530015258 | BLK UPPER BODY WITH COFFEE GROUND OUTLET | | | | | | |
| 27 | 17800302 | 996530068114 | 3POLES CONNECTOR MC SENSOR NPR UL | | | | | | |
| 28 | 11002613 | 996530001314 | LOWER COFFEEGRINDER GEAR SUPPORT P124 | | | | | | |
| 29 | 11002572 | 996530001308 | COFFEEGRINDER REGULATION SPRING P124 | | | | | | |
| 30 | 11003784 | 996530001907 | COFFEE GRINDING ADJUSTMENT GEAR P0049 | | | | | | |
| 31 | U043.004 | 996530061808 | ZN-B TCB SCREW M4X16 | | | | | | |
| 32 | 11002508 | 996530001296 | UPPER COFFEEGRINDER GEAR SUPPORT P124 | | | | | | |
| 33 | 129914002 | 996530013165 | SCREW TCB TORX 10 3,5X16 PLAST.ZN-B | | | | | | |
| 34 | 17800301 | 996530068113 | 2POLES CONNET.COFFEEGRINDER MOTOR NPR UL | | | | | | |
| 35 | 11003446 | 996530001673 | BLACK BEAN COFFEE GRINDER INSERT P0049 | | | | | | |
| 36 | 17001921 | 996530072477 | BLK WIRING FIX INSERT FOR GRINDER BOARD | | | | | | |
| | 11026298 | 996530068697 | GEN.MOTOR COFFEE GRINDER NPR ASSY. | 230V | | | | | |



INTUITA - INTELIA EVO FOCUS / CLASS / CLASS METAL



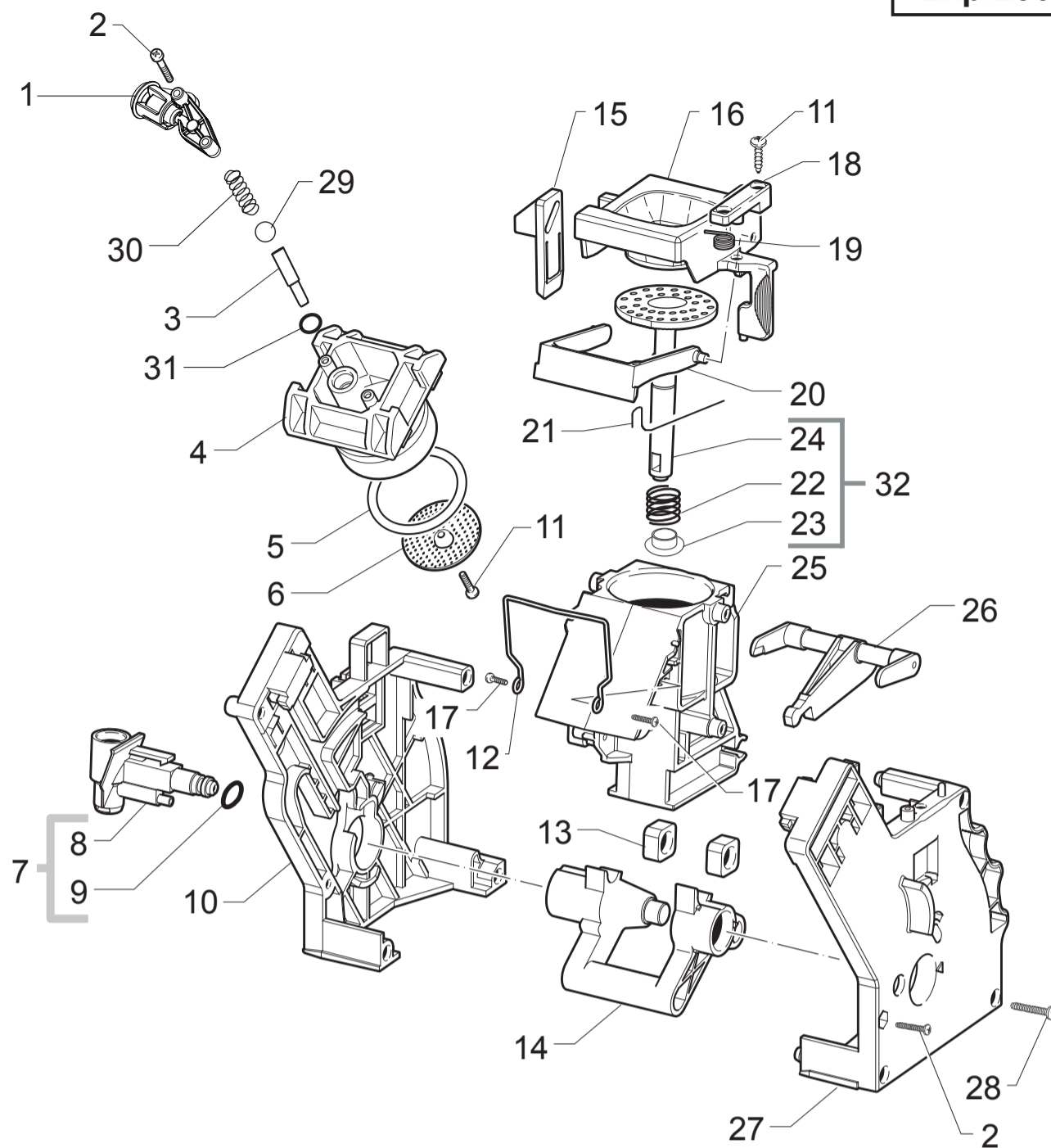
HD8750/11-13-19-81-99
 HD8751/95
 HD8752/85-95



Cod.10004173-4230-31
 Cod.10004205-06-22
 Cod.10004323-32

| POS | CODE | 12NC | DESCRIPTION | NOTE | POS | CODE | 12NC | DESCRIPTION | NOTE |
|-----|-----------|--------------|--|------|-----|------|------|-------------|------|
| 01 | 17000366 | 996530066736 | BLK RATIOMOTOR MOUNTING PLATE XSMC ASSY. | | | | | | |
| 02 | NE05.038 | 996530058869 | MICROSWITCH SAIA XCG5-81-P5 | | | | | | |
| 03 | 20000900 | 996530009913 | SPARES KIT GEARS FOR RATIOMOTOR V2 | | | | | | |
| 04 | 9161.132 | 996530050569 | MYLAR WASHER FOR RATIOMOTOR | | | | | | |
| 05 | 11005214 | 996530002796 | MOTOR FOR RATIOMOTOR P124 ASSY. | | | | | | |
| 06 | 9121.046 | 996530049898 | BRONZE SINTERED BUSH FOR MOTOR RATIOMOT. | | | | | | |
| 07 | 148380200 | 996530017424 | BAKELIZZATE WASHER D=5,5 | | | | | | |
| 08 | 9121.044 | 996530049896 | ANTIVIBRATION FOR MOTOR | | | | | | |
| 09 | 11003754 | 996530001899 | BLK RATIOMOT.MOUNTING PLATE COVER P0057 | | | | | | |
| 10 | 12000450 | 996530007819 | SCREW TCBR TORX 10 3,5X12 PLAST.ZN-N | | | | | | |
| 11 | 11013531 | 996530006805 | PIN FOR FLOW SELECTOR FAUCET P0057 ASSY. | | | | | | |
| 12 | 11013530 | 996530006804 | PIN FOR FLOW SELECTOR FAUCET V2 P0057 | | | | | | |
| 13 | NM01.035 | 996530059399 | OR ORM 0090-20 SILICONE | | | | | | |
| 14 | NM01.057 | 996530059419 | OR ORM 0050-20 IN SILICONE | | | | | | |
| 15 | NE05.013 | 996530058847 | MICROSWITCH SAIA XGK52-81-J23 | | | | | | |
| 16 | 17000685 | 996530072515 | BLACK SEAL FOR RATIOMOTOR PLATE NPR | | | | | | |
| 17 | 17001336 | 996530068732 | GREY BREW UNIT DRAWER COFFEE NPR | | | | | | |
| 18 | 11012382 | 996530006384 | BLACK BREW UNIT 8GR.5BAR P0057 | | | | | | |
| | | | SEE EXP. CODE E90067 NEXT PAGE | | | | | | |
| 19 | 12001728 | 996530070321 | SCREW TCBR TORX 10 3,5X12 PLAST.SS | | | | | | |





Saeco
INTERNATIONAL GROUP

CE

Cod. 11012382

| POS | CODE | 12NC | DESCRIPTION | NOTE | POS | CODE | 12NC | DESCRIPTION | NOTE |
|-----|--------------|--------------|--|------|-----|------|------|-------------|------|
| 01 | 11009362 | 996530005415 | BLK COF.OUTLET SLEEVE BREW UNIT S0053 AS | | | | | | |
| 02 | 12000550 | 996530007838 | SCREW TCB TORX 10 3X25 PLAST.SS | | | | | | |
| 03 | 11009276 | 996530005372 | BLK COUNTER PISTON TUBE BREW UNIT S0053 | | | | | | |
| 04 | 11001840 | 996530001046 | BLACK COUNTER PISTON BREW UNIT 8GR.P124 | | | | | | |
| 05 | NM01.044 | 996530059406 | OR ORM 0320-40 SILICONE PTFE/FDA | | | | | | |
| 06 | 9161.268 | 996530050709 | PERCOLATOR DE=35,8 ELFO | | | | | | |
| 07 | 20000440 | 996530009825 | BLACK WATER INLET SLEEVE BREW UNIT ASSY. | | | | | | |
| 08 | 9161.064.050 | 996530050488 | BLACK WATER INLET SLEEVE BREW UNIT ROYAL | | | | | | |
| 09 | NM02.007 | 996530059441 | OR 2025 IN TERMOIL | | | | | | |
| 10 | 9161.375.050 | 996530050832 | BLACK BREW UNIT REAR PLATE SMART | | | | | | |
| 11 | 12000895 | 996530007951 | SCREW TSP TORX 10 3X10 PLAST.SS | | | | | | |
| 12 | 11001556 | 996530000898 | SS BREW UNIT SPRING H=49 SMART | | | | | | |
| 13 | 9161.094.050 | 996530050539 | BLACK BREW UNIT DRILLED BLOCK | | | | | | |
| 14 | 9161.066.050 | 996530050492 | BLACK BREW UNIT ELBOW SHAFT M5000 | | | | | | |
| 15 | 9161.373.050 | 996530050827 | BLACK BREW UNIT COUPLING PLATE SMART | | | | | | |
| 16 | 149261350 | 996530018241 | BLACK HOPPER DOSER BREW UNIT SMART1 | | | | | | |
| 17 | 129912521 | 996530013148 | SCREW TCB TORX 10 3,5X14 PLAST.SS | | | | | | |
| 18 | 9161.374.050 | 996530050829 | BLK BREWUNIT HOPPER BLOCKING PLATE SMART | | | | | | |
| 19 | 9161.378 | 996530050838 | SS HOPPER SPRING FOR BREW UNIT SMART | | | | | | |
| 20 | 11004161 | 996530002096 | BLACK SCRAPER FOR BREW UNIT M5000 | | | | | | |
| 21 | 9161.046 | 996530050455 | SS SCRAPER SPRING FOR BREW UNIT | | | | | | |
| 22 | 9161.198 | 996530050627 | SS.8GR.BREW UNIT PISTON SPRING | | | | | | |
| 23 | 9161.191 | 996530050618 | WHITE 8GR.-12GR.BREW UNIT PISTON BUSH | | | | | | |
| 24 | 11003077 | 996530001451 | BLK BREW UNIT INTEGRAL PISTON 8GR.ASSY. | | | | | | |
| 25 | 11003075 | 996530001448 | BLACK COFFEE CONTAINER BREW UNIT P124 | | | | | | |
| 26 | 11003078 | 996530001452 | BLACK CONNECTING ROD BREW UNIT 8GR. | | | | | | |
| 27 | 11005920 | 996530003228 | BLACK BREW UNIT FRONT PLATE S/SCR.SMART | | | | | | |
| 28 | 12000897 | 996530007953 | SCREW TCB TORX 10 3,5X20 PLAST.SS | | | | | | |
| 29 | 9991.168 | 996530051874 | GLASS SPHERE D.5 MM | | | | | | |
| 30 | 11012095 | 996530006305 | SS COFFEE UNIT CONTERPISTON SPRING S0053 | | | | | | |
| 31 | 140328761 | 996530013575 | OR ORM 0060-15 TERMOIL | | | | | | |
| 32 | 11023086 | 996530007577 | BLK 8GR.BREW UNIT NTEGR.PISTON GEN.ASSY. | | | | | | |
| | 11012382 | 996530006384 | BLACK BREW UNIT 8GR.5BAR P0057 | | | | | | |

Saeco
INTERNATIONAL GROUP

BLACK BREW UNIT 8 GR.5 BAR

TABLE 1/1