

HD8750/11-13-18-19
 HD8750/47-81
 HD8750/88
 HD8750/99

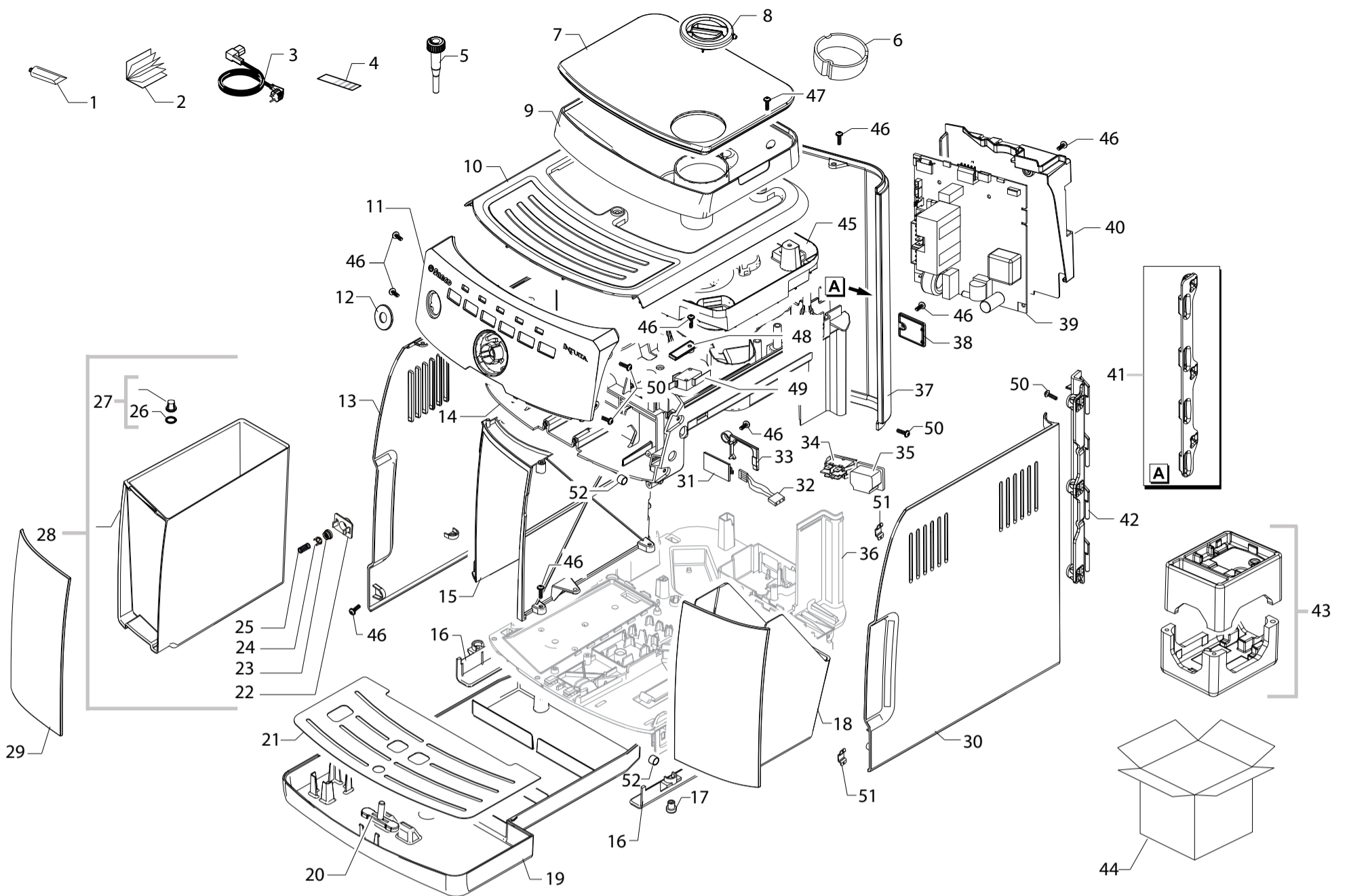


Cod.882875011010-882875013530-882875018150-882875019010
 Cod.882875047540-882875081010-882875081020
 Cod.882875088150
 Cod.882875099010-882875099020

POS	CODE	12NC	DESCRIPTION	NOTE	POS	CODE	12NC	DESCRIPTION	NOTE	
01		421946017941	KLUBERLUB NH1 11-222 TUBE 5GR.		24	-	421941157852	GRY WATER CONTAINER VALVE INSERT P0049		
02	-	421944021931	MANUAL V2 SAE HD8750 NPR/B GB	FOR USA	25	11003672	996530001831	SS SPRING FOR WATER CONTAIN.VALVE P0049		
	-	421946009251	MANUAL V2 SAE HD8750 NPR/B FR	FOR USA	26	140328461	996530013571	OR ORM 0190-10 EPDM		
	-	421946009261	MANUAL V2 SAE HD8750 NPR/B ES	FOR USA	27	224640200	996530029115	WHITE WATER CONTAINER EXT.FILTER ASSY.		
03	-	421946001591	BLK POWER CABLE SCHUKO L=800		28	11026289	996530068674	NAT/GREY WATER CONTAINER NPR ASSY.		
	183921950	996530025843	POWER CABLE SJT3 USA BLACK UL L=1200		29	11030535	996530072456	MATT/BLACK WATER TANK FRONT COVER NPR		
	183970350	996530025882	BLK POWER CABLE UK L=1200					HD8750/11-13-18-19-47		
	183940650	996530025872	BLACK POWER CABLE AUSTRALIA L=1200			11030559	996530072907	SILVER WATER TANK FRONT COVER NPR		
04	0301.961	996530039604	STICKER FOR WATER HARDNESS TEST					HD8750/81-88-99		
05	11003785	996530001908	BLK GRINDER ADJUSTMENT KEY P0049		30		421944040591	M/BLK RIGHT SIDE DOOR V4 NPR		
06		421941285072	NAT/GREY BEAN COFF.CONT.INSERT V2 NPR/B		31	11003232	996530001522	AS.CPU+SW WATER LEVEL SENSOR V2		
07		421944058821	TR/GRY BEAN C.CONT.LID V2 NP5/P-H-T					HD8750/11-13-18-19-81-88-99		
08	17001244	996530068685	NAT/GREY GROUND COFFEE HOPPER LID NPR			11000651	996530000425	WATER LEVEL SENSOR BOARD P124		
09	17001234	996530068743	NAT/GREY BEAN COFFEE CONTAINER NPR					FOR HD8750/47		
10		421941301461	M/BLK UPPER CASING COVER V2 NPR/B-P		32	-	421946000081	3P.CONN.WATER LEVEL V2 CLP UL ASSY.		
11	11029858	996530072493	MATT/BLACK FRONT PANEL V2 S/SCR.NPR/B		33	17001179	996530068749	BLK CAPACIT.SENSOR LOCKING INSERT NPR		
			HD8750/11-13-18-19-47		34		242212625107	SWI POW 2P 16A 250V FASTON IEC 1552 B		
	11030645	996530072915	SILVER FRONT PANEL V2 S/SCR.NPR/B					FROM S/N TW901407110373 DELETED IN		
			HD8750/81-88-99					HD8750/11-18-19-47		
12	11030647	996530072518	CRC FRONT PANEL CAP NPR/B		35	12001883	996530072437	CUP SOCKET V3 EN 60320 C 13		
13	17001299	996530068729	BLACK LEFT SIDE CASING NPR		36		NOT AVAILABLE	BLK CASING BOTTOM V3A NPR/T		
14	11030130	996530072415	BLK COFFEE GRINDER SUPP.PLATE V2 NPR/H-P		37	17001240	996530068714	BLACK REAR CASING NPR		
15	17001114	996530068752	BLACK CASING BOTTOM INSERT NPR		38	17001484	996530068728	BLACK REAR CASING PROGRAM.INSERT NPR		
16	17001110	996530068723	BLACK DRIP TRAY GUIDE NPR		39	-	421941307242	CPU+SW V5 NPR/B 230V ASSY.		
17	147622800	996530016875	TRANSPARENT SILICONE FOOT					HD8750/11-18-19-81(020)-88-99(020)		
			UP TO S/N. TW901420291211					421941260023	CPU+SW V3 NPR/B 230V ASSY.	
			FOOT					HD8750/13-81(010)-99(010)		
		421324705256	FOOT					11031452	996530073399	CPU+SW NPR/B 120V ASSY.
			FROM S/N. TW901420291212							HD8750/47
18	11030534	996530072525	MATT/BLACK DUMP BOX NPR/H-P		40	-	421944017971	BLK PWR/CPU BOARD PROTECTION V2 P0057		
			HD8750/11-13-18-19-47		41		421944022751	BLK HINGE FOR REAR CASING XSM		
	11030555	996530072904	SILVER DUMP BOX NPR/H-P		42		421944022731	BLK HINGE FOR DOOR RIGHT SIDE XSM		
			HD8750/81-88-99		43	20007110	996530072468	KIT PS-E INSERT FOR BOX NPR/B		
19	11030489	996530072526	MATT/BLACK DRIP TRAY NPR/H-P		44	-	421946005171	FLEXO.BOX DFX NPR/B SAE INTUITA		
20	11013184	996530006683	RED FLOAT FOR DRIP TRAY XSM					HD8750/11-13-18-19-81-88-99		
21	11029600	996530070357	SB/SS GRATE FOR DRIP TRAY NPR/H			13001695	996530073401	FLEXGR.BOX NPR/B SAE INTUITA USA		
22	11001298	996530000733	BLACK LID FOR DUCKBILL VALVE P0049					HD8750/47		
23	11003671	996530001829	TRANSP.VALVE FOR WATER CONTAINER P0049							



INTUITA



HD8750/11-13-18-19
 HD8750/47-81
 HD8750/88
 HD8750/99

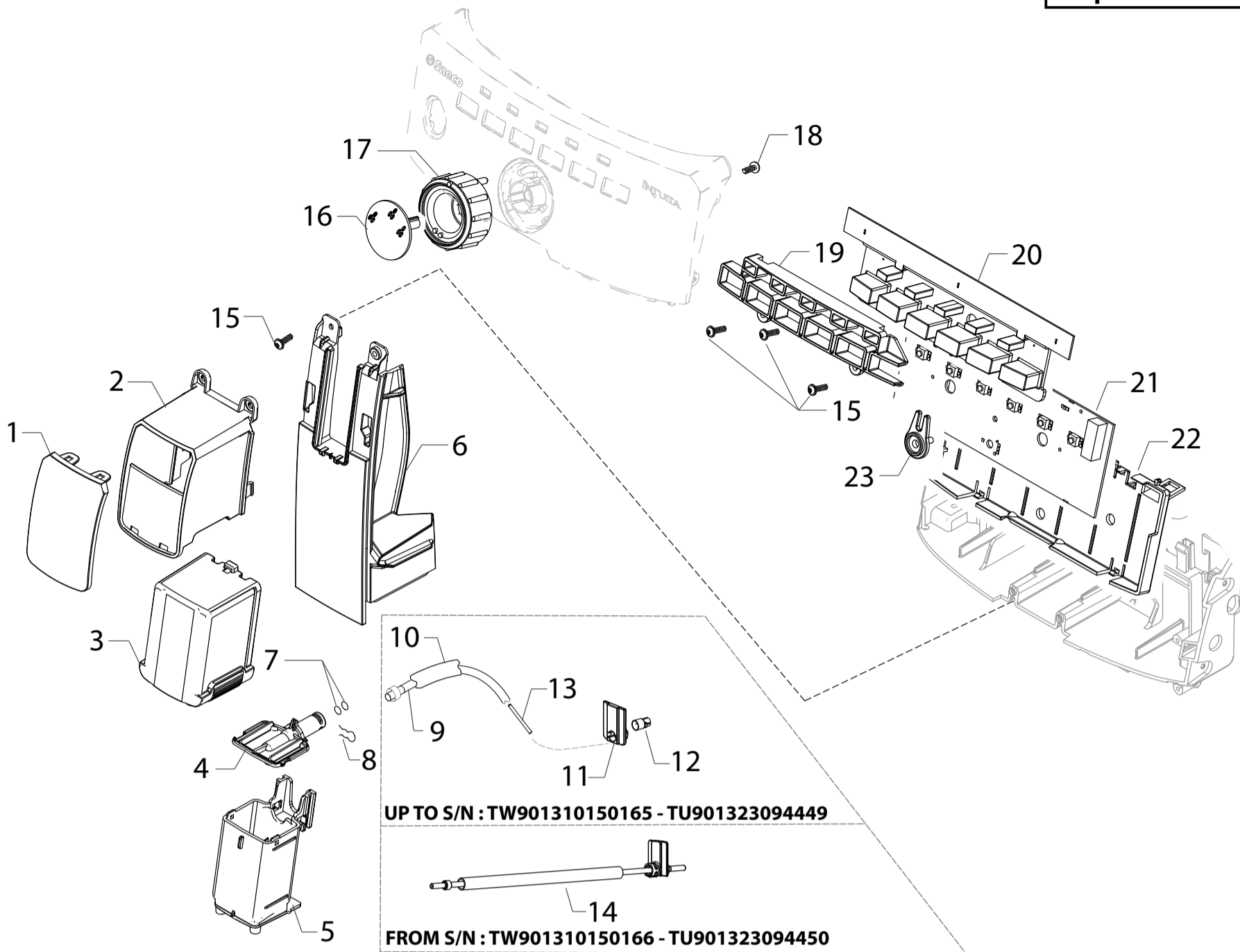


Cod.882875011010-882875013530-882875018150-882875019010
 Cod.882875047540-882875081010-882875081020
 Cod.882875088150
 Cod.882875099010-882875099020

POS	CODE	12NC	DESCRIPTION	NOTE	POS	CODE	12NC	DESCRIPTION	NOTE
45	-	421944058831	BLK COF.GRINDER SOUNDPROOFING COV.V3 NPR						
46	12000450	996530007819	SCREW TCBR TORX 10 3,5X12 PLAST.ZN-N						
47	129914002	996530013165	SCREW TCB TORX 10 3,5X16 PLAST.ZN-B						
48	17000064	996530067437	BLK CAPACIT.SENSOR DEADLOCK INSERT XSM						
49	12001890	996530073209	MICROSWITCH XG/V3D						
50		421944016761	SCREW TCBR TORX 10 3,5X12 PLAST.ZN-NI						
51	11013220	996530069857	STEEL PLATE FOR DOOR MAGNET XSM						
52	9161.111	996530050555	MAGNET FOR FLOAT SUPERAUT.						



INTUITA

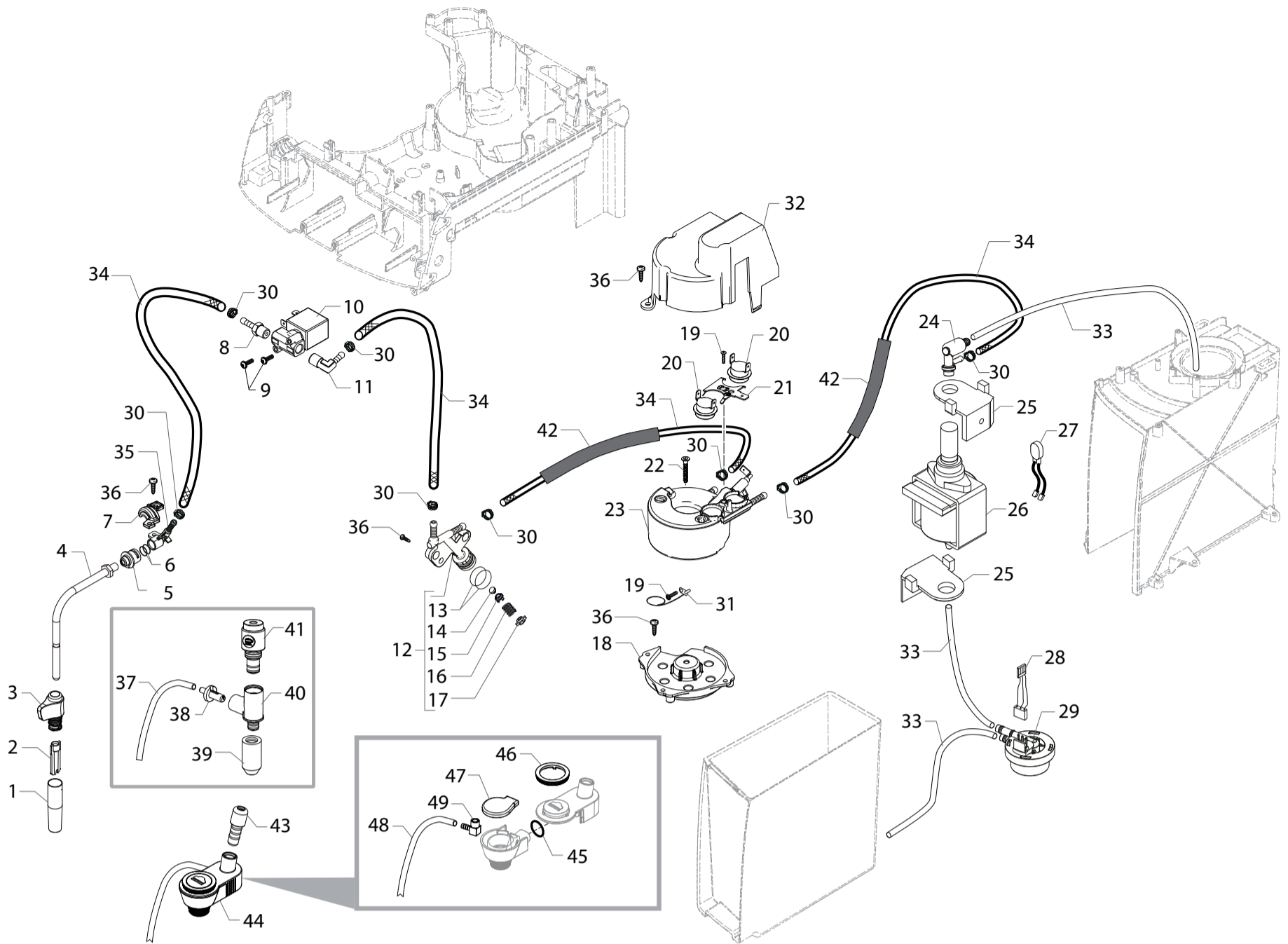


HD8750/11-13-18-19
 HD8750/47-81
 HD8750/88
 HD8750/99



Cod.882875011010-882875013530-882875018150-882875019010
 Cod.882875047540-882875081010-882875081020
 Cod.882875088150
 Cod.882875099010-882875099020

POS	CODE	12NC	DESCRIPTION	NOTE	POS	CODE	12NC	DESCRIPTION	NOTE
01	11030532	996530072509	MATT/BLK COF.DISPENS.FRONT PLATE NPR/H-P HD8750/11-13-18-19-47						
	11030553	996530072911	SILVER COF.DISPENSER FRONT PLATE NPR/H-P HD8750/81-88-99						
02	11030531	996530072512	MATT/BLACK COFFEE DISPENSER LID NPR						
03	17001242	996530068698	BLACK COFFEE DISPENSER MOBILE PART NPR						
04	17001246	996530068742	BLACK COFFEE DISPENSER BODY LID NPR						
05	17001894	996530071881	BLK COFFEE DISPENSER BODY V2 NPR						
06	11030536	996530072527	MATT/BLACK FRONT CASING COVER V2 NPR HD8750/11-13-18-19-47						
	11030562	996530072909	SILVER FRONT CASING COVER V2 NPR HD8750/81-88-99						
07	140328059	996530013564	OR 2015 SILICONE PTFE/FDA						
08	9011.144	996530048885	SS FORK FOR TUBE D=4						
09	11004132	996530002073	TEFLON TUBE 2X4 L=250 MM ASSY.						
10	149361200	996530018278	BLACK SILICONE TUBE 7,5X9,3	IN ROLL					
11	11005100	996530002748	PLATE FOR BUSH TEFLON TUBE 2X4 P124						
12	11005101	996530002749	BLACK BUSH FOR TEFLON TUBE 2X4 P124						
13	17000266	996530071774	SS.L=22,6MM INT.BUSH FOR TEFLON TUBE D4						
14	11031203	996530073357	TEFL.TUBE 2X4 L=235+PLATE+2BUSH NPR ASSY FROM S/N TW901310150166 AND FROM S/N TU901323094450						
15	12000450	996530007819	SCREW TCB TORX 10 3,5X12 PLAST.ZN-N						
16	11029840	996530072535	TRANS.CONTR.KNOB OUTER COVER S/SCR.NPR/B						
17	11029469	996530072517	CRC CONTROL KNOB V2 NPR/B						
18	129913202	996530013156	SCREW TCB TORX 10 3X8 PLAST.ZN-B						
19	17001370	996530072494	NEUTR.6BUTTONS TOUCH PANEL INSERT NPR/B						
20	11029185	996530072474	BLK 6BUTTONS TOUCH PANEL S/S.STEAM NPR/B HD8750/11-13-18-19-47						
	11030731	996530072932	LK 6BUTTONS TOUCH PANEL S/SC.CAPP.NPR/B HD8750/81-88-99						
21	11028512	996530072455	KYB - INTERFACE NPR/B						
22	17001319	996530072528	BLACK LED KEYBOARD SUPPORT NPR						
23	17001639	996530072487	CONTROL KNOB V2 POTENTIOM.INS.NPR/B						



HD8750/11-13-18-19
HD8750/47-81
HD8750/88
HD8750/99

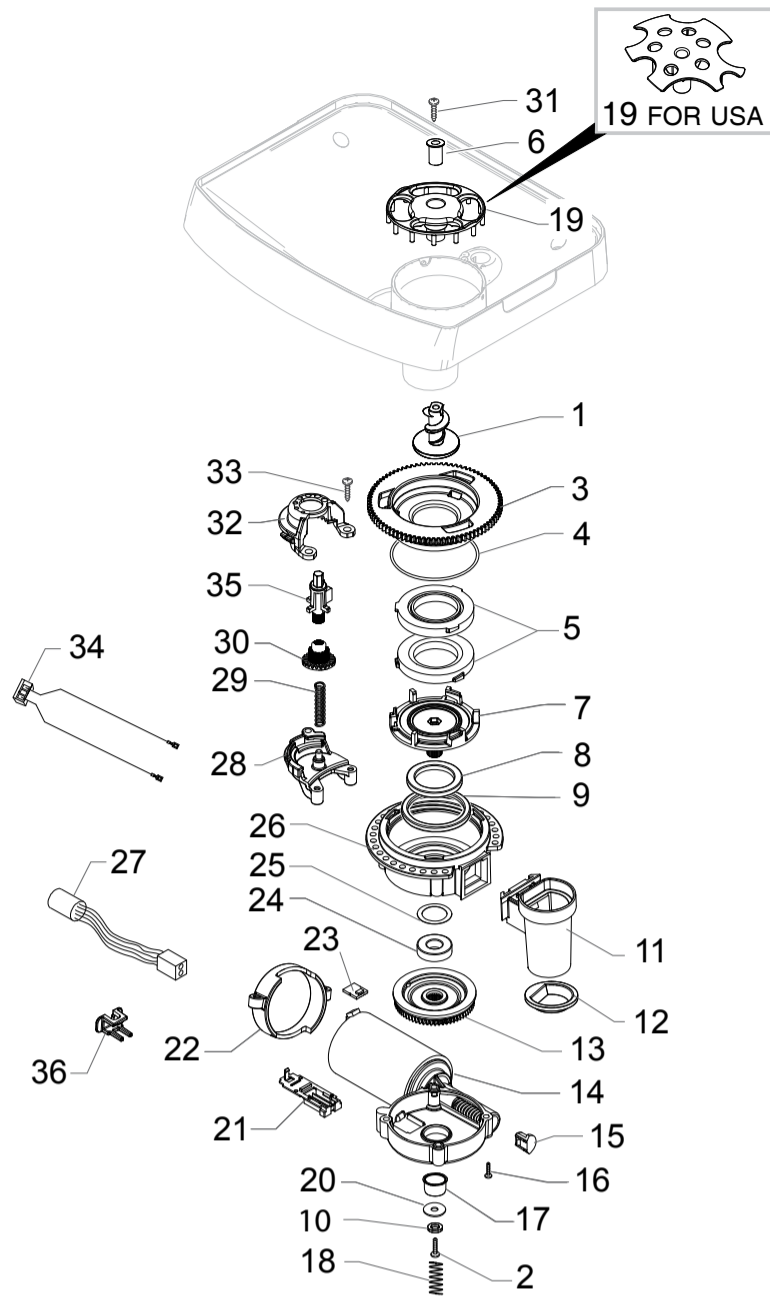


Cod.882875011010-882875013530-882875018150-882875019010
Cod.882875047540-882875081010-882875081020
Cod.882875088150
Cod.882875099010-882875099020

POS	CODE	12NC	DESCRIPTION	NOTE
01	11001769	996530001012	BLACK PANNARELLO COVER P0049 HD8750/11-13-18-19-47	
02	11001620	996530000925	BLACK PANNARELLO INNER TUBE P0049 HD8750/11-13-18-19-47	
03	-	421941300671	BLACK/SIL.STEAM TUBE HANDGRIP G0053 HD8750/11-13-18-19-47-	
04	11027861	996530068662	TF/CHROM.STEAM TUBE D=5,4 NPR ASSY.	
05	11011127	996530005979	BLACK PA6 BUSH FOR STEAM TUBE P0057	
06	140324461	996530013509	OR ORM 0060-20 TERMOIL	
07	11013894	996530006914	BLACK FORK FOR STEAM TUBE GXSM	
08	11024868	996530070371	L-F/BRASS CONNECT.FOR ALUM.BOILER	
09	129823802	996530013077	TCB SCREW M4X8 UNI 7687 ZNP	
10		421944008781	2WAY EV OT57 G1/8 F.X PG D5,9 24V DC 10W.	
11	11024469	996530067632	L-F/BRASS CONNECTOR FOR BOILER AURA	
12	17000114	996530068077	FLOW SELECTOR FAUCET NPR	
13	12000893	996530007948	OR ORM 0120-20 BLACK EPDM	
14	11008104	996530004722	MUSHROOM VALVE FOR FLOW SELECTOR P0057	
15	11008105	996530004723	FLOW SELECTOR VALVE SUPPORT P0057	
16	11008077	996530004709	STEEL FLOW SELECTOR VALVE SPRING P0057	
17	11008106	996530004724	FLOW SELECTOR VALVE CAP P0057	
18		421941215942	BLK SLIM/EXSL TUB.BOILER SUPPORT V2	
19	12001715	996530069758	SCREW TCB TORX 20 M4X8 AUTOFORMING ZN-B	
20	12001033	996530007973	THERMOSTAT ONE SHOT 190°	
21	11001751	996530000997	TUB.BOILER V3 UPPER THERM.FIXING SPRING	
22	12001280	996530008024	SCREW TSP TORX 10 5X20 PLAST.ZN-B HD8750/11-13-18-19-81-88-99	
	12001369	996530008039	SCREW TSP TORX 10 5X35 PLAST.SS HD8750/47	
23	17000346	996530068751	HP/SLIM TUB.BOILER 1900W 230V ASSY. HD8750/11-13-18-19-81-88-99	
	11023153	996530007586	SLIM TUB.BOILER 1300W 120V ASSY. HD8750/47	
24	11004689	996530002484	TEA/BRASS SAFETY VALVE 16-18 BAR ASSY.	
25	149205850	996530018056	BLACK TYPE ULKA PUMP W/BEVEL SUPPORT	
26	12000140	421941305991	ULKA PUMP EP5FMGW 230V-50HZ HD8750/11-13-18-19-81-88-99	
	12000142	996530007754	ULKA PUMP EAP5/S 120V-60HZ HD8750/47	
27	-	421946000131	2POLES CONNECTOR PUMP V2 CLP UL	
28	-	421946000141	3P.CONN.FLOWMETER V2 CLP UL ASSY.	

POS	CODE	12NC	DESCRIPTION	NOTE
29	NV99.099	996530059843	TURBINE D=1,2 932-8521/00 ASSY.	
30	12000892	996530007947	OETIKER CLAMP D=9,5 16700004	
31	190800100	996530026997	TEMPERATURE SENSOR NTC UL L=280MM	
32	-	421941284802	GRY BOILER INSULATING COVER NPR	
33	JS01.022	996530057357	SILICONE TUBE 5X10 60SH	IN ROLL
34	16000380	996530009505	5X8,9 SILICONE TUBE	IN ROLL
35		421944028161	STEAM TUBE SUPPORT PPS P0057	
36	12000450	996530007819	SCREW TCBR TORX 10 3,5X12 PLAST.ZN-N	
37	229363500	996530031599	SILICONE TUBE 3,5X6 L=400 MM HD8750/81-99 UP TO S/N TW901337465523	
38	17001459	996530068727	BLK CAP.MILK TUBE CONNECT.D=1,05 NPR/H UP TO S/N TW901337465523 HD8750/81-99	
39	20007021	996530068684	SPARES KIT SS/BLK CAPP.LOWER PART NPR/H UP TO S/N TW901337465523 HD8750/81-99	
40	20007022	996530068692	SPARES KIT SS/BLK CAPP.UPPER PART NPR/H UP TO S/N TW901337465523 HD8750/81-99	
41	11026707	996530068055	BLACK STEAM TUBE HANDGRIP S/SCR.NPR/H UP TO S/N TW901337465523 HD8750/81-99	
42	16000540	996530009523	TRANSPAR.10,5X12,3 SILICONE TUBE	IN ROLL
43	-	421941301142	BLK STEAM TUBE INSERT V2 SMR/H FROM S/N TW901337465524 HD8750/81-88-99	
44	-	421944023801	BLK CAPPUC.V3 SMR/H ASSY. FROM S/N TW901337465524 HD8750/81-88-99	
45	NM01.028	996530059392	O-RING 106 SILICONE	
46	-	421941301121	BLK CAPPUC.CASING COVER RING SMR/H	
47	-	421941301131	BLK CAPPUC.CASING SEAL SMR/H	
48	9972.045	996530051237	SILICONE TUBE 3,5X6 L=350 MM DS	
49	147922350	996530017377	BLK CONNECTOR 90° FOR SPHERIC.CAPPUC.	
	11026286	996530068717	HP/SLIM TUB.BOILER STD 1900W 230V ASSY. WITH PART.N°19-20-21-23-31 COMPLETE	
	11026684	996530069761	SLIM TUB.BOIL.STD C1 T190° 1300W 120V AS WITH PART.N°19-20-21-23-31 COMPLETE	





HD8750/11-13-18-19
HD8750/47-81
HD8750/88
HD8750/99

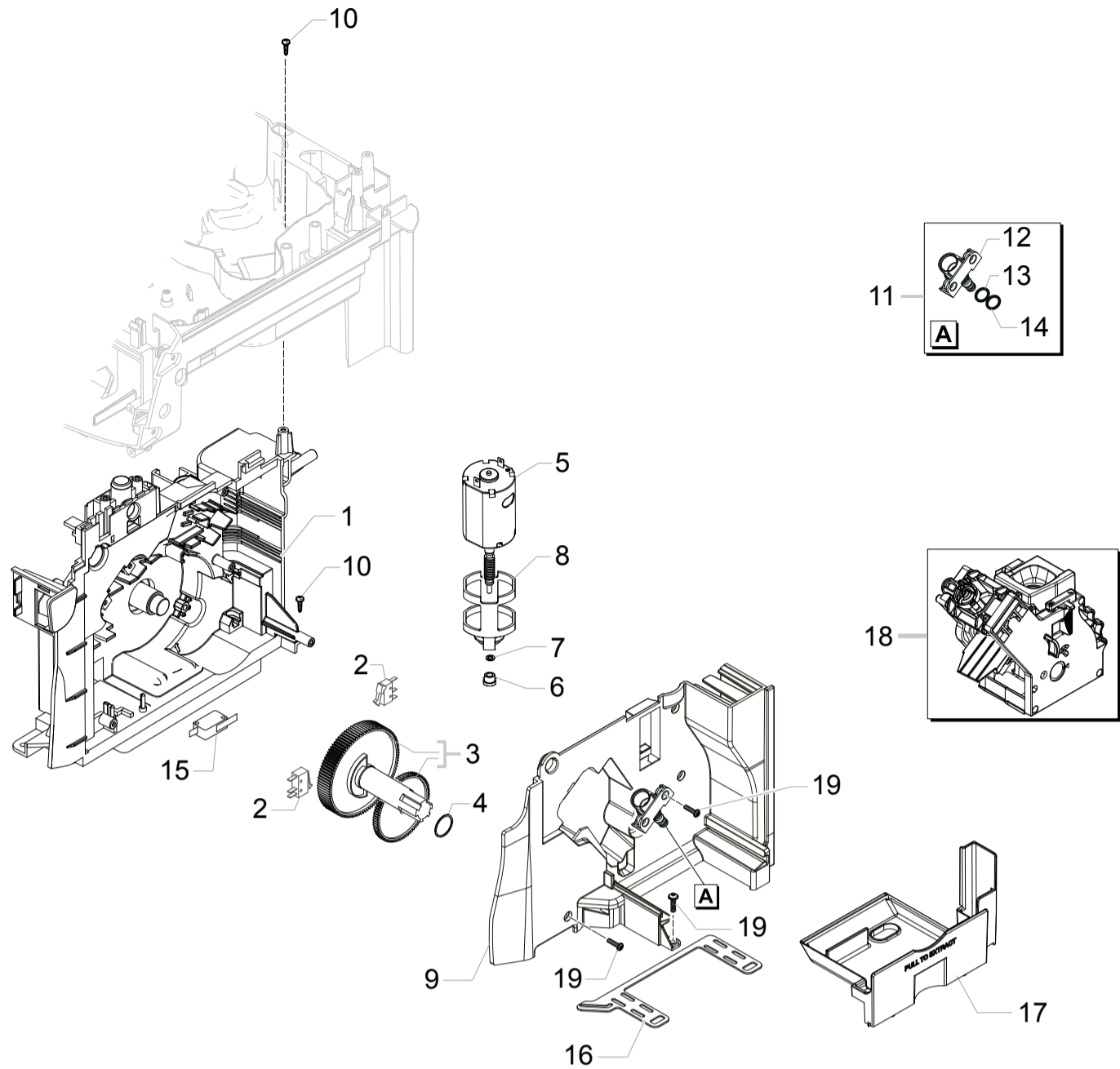


Cod.882875011010-882875013530-882875018150-882875019010
Cod.882875047540-882875081010-882875081020
Cod.882875088150
Cod.882875099010-882875099020

POS	CODE	12NC	DESCRIPTION	NOTE	POS	CODE	12NC	DESCRIPTION	NOTE
01	11010031	996530005586	TEA/ZAMA INCREASE SCREW GRINDER		32	11002508	996530001296	UPPER COFFEEGRINDER GEAR SUPPORT P124	
02	129574802	996530012928	SCREW TCB TORX 20 M4X30 ZN-B		33	129914002	996530013165	SCREW TCB TORX 10 3,5X16 PLAST.ZN-B	
03	-	421941094152	BLK COF.GRINDER UPPER GRINDER SUPPORT V2		34	-	421946000121	2P.CONN.COF.GRINDER MOTOR V2 NPR UL ASSY	
04	140328960	996530013577	OR ORM 0530-15 NBR FDA		35	11003446	996530001673	BLACK BEAN COFFEE GRINDER INSERT P0049	
05	146520100	996530016342	BAKED CLAY GRINDER 48X28		36	17001921	996530072477	BLK WIRING FIX INSERT FOR GRINDER BOARD	
06	11012466	996530006412	BRASS BUSH BEAN CONT.FINGER PROTEC.P0057						
07	149198350	996530017952	BLK LOWER COFFEEGRINDER GRINDER SUPPORT						
08	123030300	996530011183	AXIAL BEARING EKKO 342.35252		11026298	996530068697	996530068697	GEN.MOTOR COF.GRINDER NPR 230V ASSY.	230V
09	140360500	996530013597	FELT RING 45,4X39,4X4						
10	128310402	996530012341	GALV.WASHER UNI 8842 A4		11028279	996530071878	996530071878	GEN.MOTOR COF.GRINDER NPR 120V ASSY.	120V
11	11026355	996530068049	BLK GROUND COFF.OUTLET CONVEYOR V4 ASSY.						
12	11030459	996530072511	GRY GROUND COFFEE CONT.LOWER SEAL SMART1						
13	226000300	996530029609	GEAR SX Z=38 FOR GRINDER MOTION ASSY.						
14	11000513	996530000317	MOTOR COFFEEGRINDER V3.1 230V ASSY.						
			HD8750/11-13-18-19-81-88-99						
		421941305001	MOTOR COFFEEGRINDER V3.1 120V ASSY.						
			HD8750/47						
15	149214800	996530018139	MC V3 MOD=1,25 WORM SCREW CENTRING CAP						
16	129661702	996530012992	SCREW TCB TORX 3,5X30 PLAST.ZN-B						
17	11002873	996530001389	INSULATOR BUSH FOR GRINDER MOTOR P124						
18	11000597	996530000376	COFFEE GRINDER SUPPORT SPRING P124						
19	11014285	996530007058	BLK V2 BEAN CONTAIN.FINGER PROTECT.P0057						
			HD8750/11-13-18-19-81-88-99						
		-	421944001511	TRANS.BEAN CONT.FINGER PROTECT.V3 NPR UL					
			HD8750/47						
20	128381902	996530012375	STEEL FLAT WASHER DI=4,3 DE=14 SP=1,5						
21	149199050	996530017963	BLK SENSOR SUPPORT FOR COF.GRINDER MOTOR						
22	11000194	996530000115	BLACK COFFEEGRINDER MOTOR SUPPORT P124						
23	181540900	996530022784	ELECTR.BOARD WITH SENSOR HAL506 SF-K						
24	123030200	996530011182	RADIAL BEARING 61900.2RS1						
25	128381800	996530012374	STEEL CRINKLE WASHER 21,8X14X0,25						
26	142905450	996530015258	BLK UPPER BODY WITH COFFEE GROUND OUTLET						
27	-	421946000091	3P.CONN.MC SENSOR V2 NPR UL ASSY.						
28	11002613	996530001314	LOWER COFFEEGRINDER GEAR SUPPORT P124						
29	11002572	996530001308	COFFEEGRINDER REGULATION SPRING P124						
30	11003784	996530001907	COFFEE GRINDING ADJUSTMENT GEAR P0049						
31	U043.004	996530061808	ZN-B TCB SCREW M4X16						



INTUITA

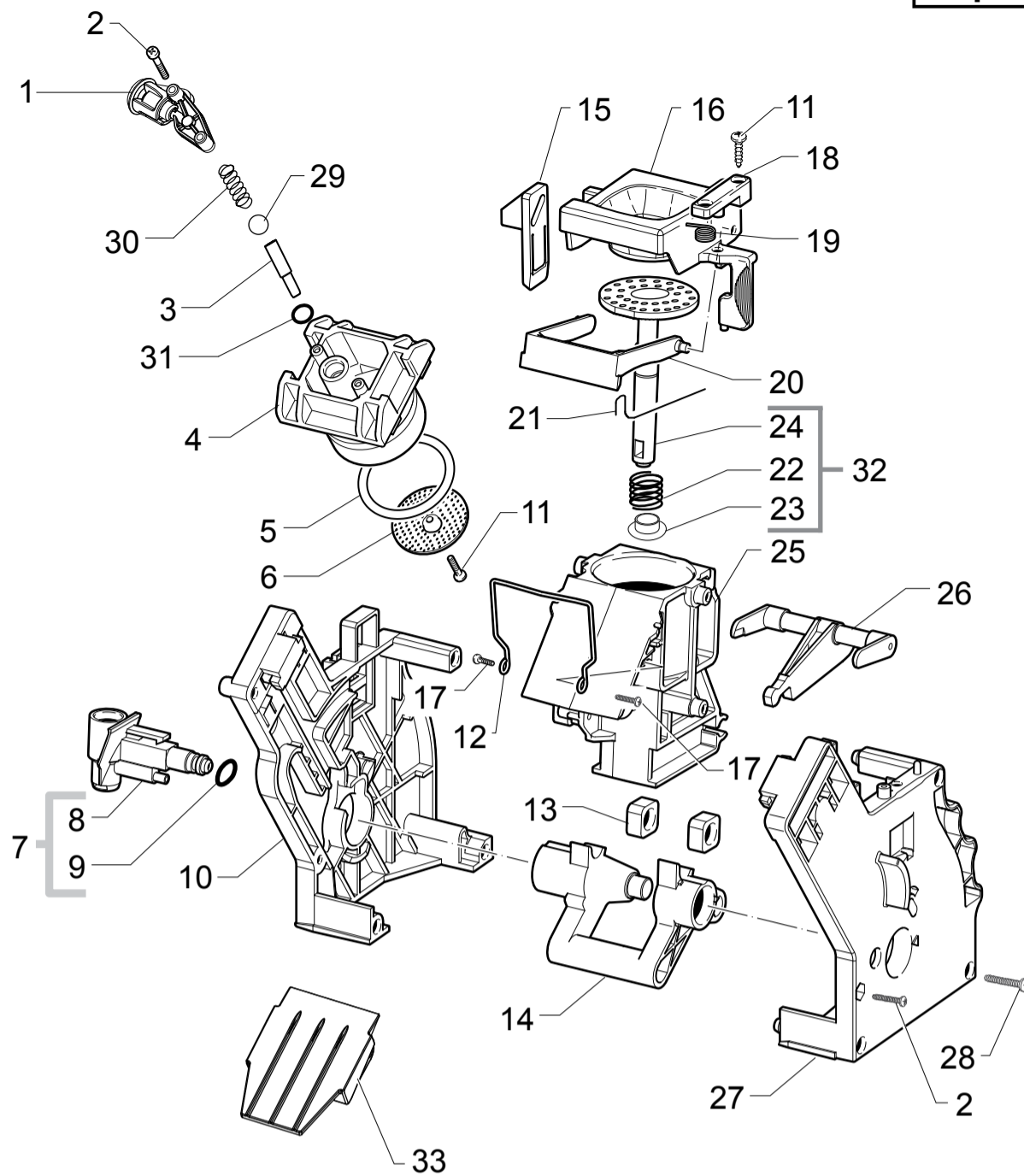


HD8750/11-13-18-19
 HD8750/47-81
 HD8750/88
 HD8750/99



Cod.882875011010-882875013530-882875018150-882875019010
 Cod.882875047540-882875081010-882875081020
 Cod.882875088150
 Cod.882875099010-882875099020

POS	CODE	12NC	DESCRIPTION	NOTE	POS	CODE	12NC	DESCRIPTION	NOTE
01		421941278153	BLK RATIOMOTOR MOUNTING PLATE V3 XSMC AS						
02	NE05.038	996530058869	MICROSWITCH SAIA XCG5-81-P5						
03	20000900	996530009913	SPARES KIT GEARS FOR RATIOMOTOR V2						
04	9161.132	996530050569	MYLAR WASHER FOR RATIOMOTOR						
05	11005214	996530002796	MOTOR FOR RATIOMOTOR P124 ASSY.						
06	9121.046	996530049898	BRONZE SINTERED BUSH FOR MOTOR RATIOMOT.						
07	148380200	996530017424	BAKELIZZATE WASHER D=5,5						
08	9121.044	996530049896	ANTIVIBRATION FOR MOTOR						
09	11003754	996530001899	BLK RATIOMOT.MOUNTING PLATE COVER P0057						
10	12000450	996530007819	SCREW TCBR TORX 10 3,5X12 PLAST.ZN-N						
11		421944060181	PIN FOR FLOW SEL.FAUCET V2 PPS P0057 AS						
12		421944059371	PIN FOR FLOW SELECT.FAUCET PPS V2 P0057						
13	NM01.035	996530059399	OR ORM 0090-20 SILICONE						
14	NM01.057	996530059419	OR ORM 0050-20 IN SILICONE						
15	12001890	996530073209	MICROSWITCH XG/V3D						
16	17000685	996530072515	BLACK SEAL FOR RATIOMOTOR PLATE NPR						
17	17001336	996530068732	GREY BREW UNIT DRAWER COFFEE NPR						
18		421944053951	BLK/YLW BREW UNIT 8GR.5BAR V4 HGO						
19	12001728	996530070321	SCREW TCBR TORX 10 3,5X12 PLAST.SS						



HD8750/11-13-18-19
 HD8750/47-81
 HD8750/88
 HD8750/99



Cod.882875011010-882875013530-882875018150-882875019010
 Cod.882875047540-882875081010-882875081020
 Cod.882875088150
 Cod.882875099010-882875099020

POS	CODE	12NC	DESCRIPTION	NOTE	POS	CODE	12NC	DESCRIPTION	NOTE
01	11009362	996530005415	BLK COF.OUTLET SLEEVE BREW UNIT S0053 AS						
02	12000550	996530007838	SCREW TCB TORX 10 3X25 PLAST.SS						
03	11009276	996530005372	BLK COUNTER PISTON TUBE BREW UNIT S0053						
04	11001840	996530001046	BLACK COUNTER PISTON BREW UNIT 8GR.P124						
05	NM01.044	996530059406	OR ORM 0320-40 SILICONE PTFE/FDA						
06	9161.268	996530050709	PERCOLATOR DE=35,8 ELFO						
07	20000440	996530009825	BLACK WATER INLET SLEEVE BREW UNIT ASSY.						
08	9161.064.050	996530050488	BLACK WATER INLET SLEEVE BREW UNIT ROYAL						
09	NM02.007	996530059441	OR 2025 IN TERMOIL						
10	9161.375.050	996530050832	BLACK BREW UNIT REAR PLATE SMART						
11	12000895	996530007951	SCREW TSP TORX 10 3X10 PLAST.SS						
12	11001556	996530000898	SS BREW UNIT SPRING H=49 SMART						
13	9161.094.050	996530050539	BLACK BREW UNIT DRILLED BLOCK						
14		421944051231	YLW BREW UNIT ELBOW SHAFT M5000						
15		421944046931	YLW BREW UNIT COUPLING PLATE V2 SMART						
16	149261350	996530018241	BLACK HOPPER DOSER BREW UNIT SMART1						
17	129912521	996530013148	SCREW TCB TORX 10 3,5X14 PLAST.SS						
18		421944050711	YLW BREWUNIT HOPPER BLOCKING PLATE SMART						
19	9161.378	996530050838	SS HOPPER SPRING FOR BREW UNIT SMART						
20	11004161	996530002096	BLACK SCRAPER FOR BREW UNIT M5000						
21	9161.046	996530050455	SS SCRAPER SPRING FOR BREW UNIT						
22	9161.198	996530050627	SS.8GR.BREW UNIT PISTON SPRING						
23	9161.191	996530050618	WHITE 8GR.-12GR.BREW UNIT PISTON BUSH						
24		421944025621	BLK BREW UNIT INTEGR.PISTON 8GR.V3 ASSY.						
25		421944014611	BLK COF.CONTAIN.BREW UNIT V2 M5000 ASSY.						
26	11003078	996530001452	BLACK CONNECTING ROD BREW UNIT 8GR.						
27	11005920	996530003228	BLACK BREW UNIT FRONT PLATE S/SCR.SMART						
28	12000897	996530007953	SCREW TCB TORX 10 3,5X20 PLAST.SS						
29		421944034451	BOROSILICATE SPHERE D.5 MM						
30	11012095	996530006305	SS COFFEE UNIT CONTERPISTON SPRING S0053						
31	140328761	996530013575	OR ORM 0060-15 TERMOIL						
32		421944029791	BLK BREW UNIT 8GR.INT.PISTON GEN.V3 ASSY						
33	17000663	996530073322	BLK BREW UNIT CONVEYOR SLIDE L=76,8						
		421944036871	BLK BREW UNIT 8GR.5BAR V3 HGO						



INTUITA