

Service
Service
Service



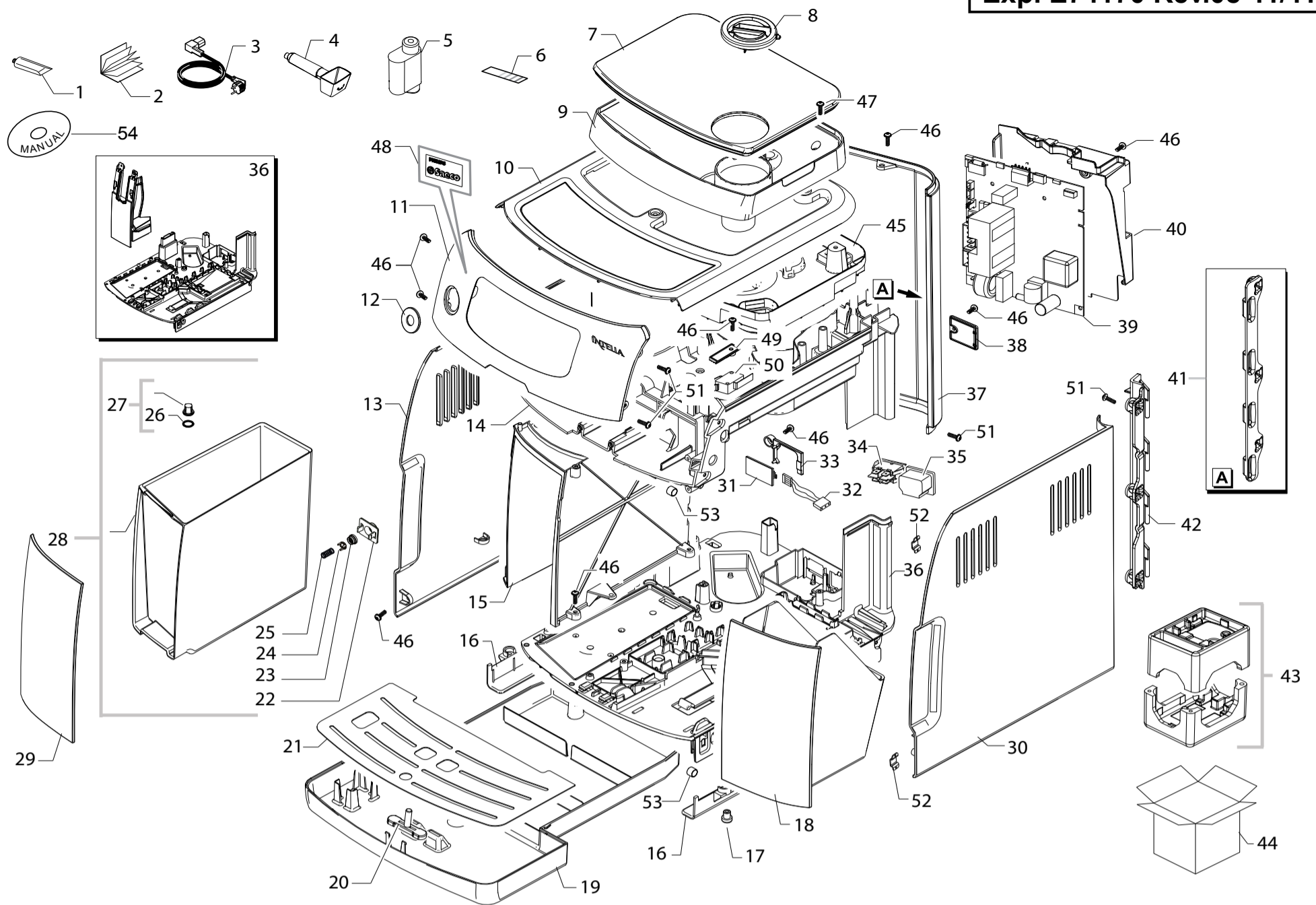
Exploded View

Contents

Table

| | |
|------------------------------------|-----|
| External / Electronical components | 1/6 |
| Front panel / User interface | 2/6 |
| Water system | 3/6 |
| Coffee grinder assembly | 4/6 |
| Gear motor | 5/6 |
| Brewing unit | 6/6 |

All rights reserved. No part of this publication may be reproduced, stored in a retrieval system or transmitted, in any form or by any means, electronic, mechanical, photocopying, or otherwise without the prior permission of Saeco.



PHILIPS

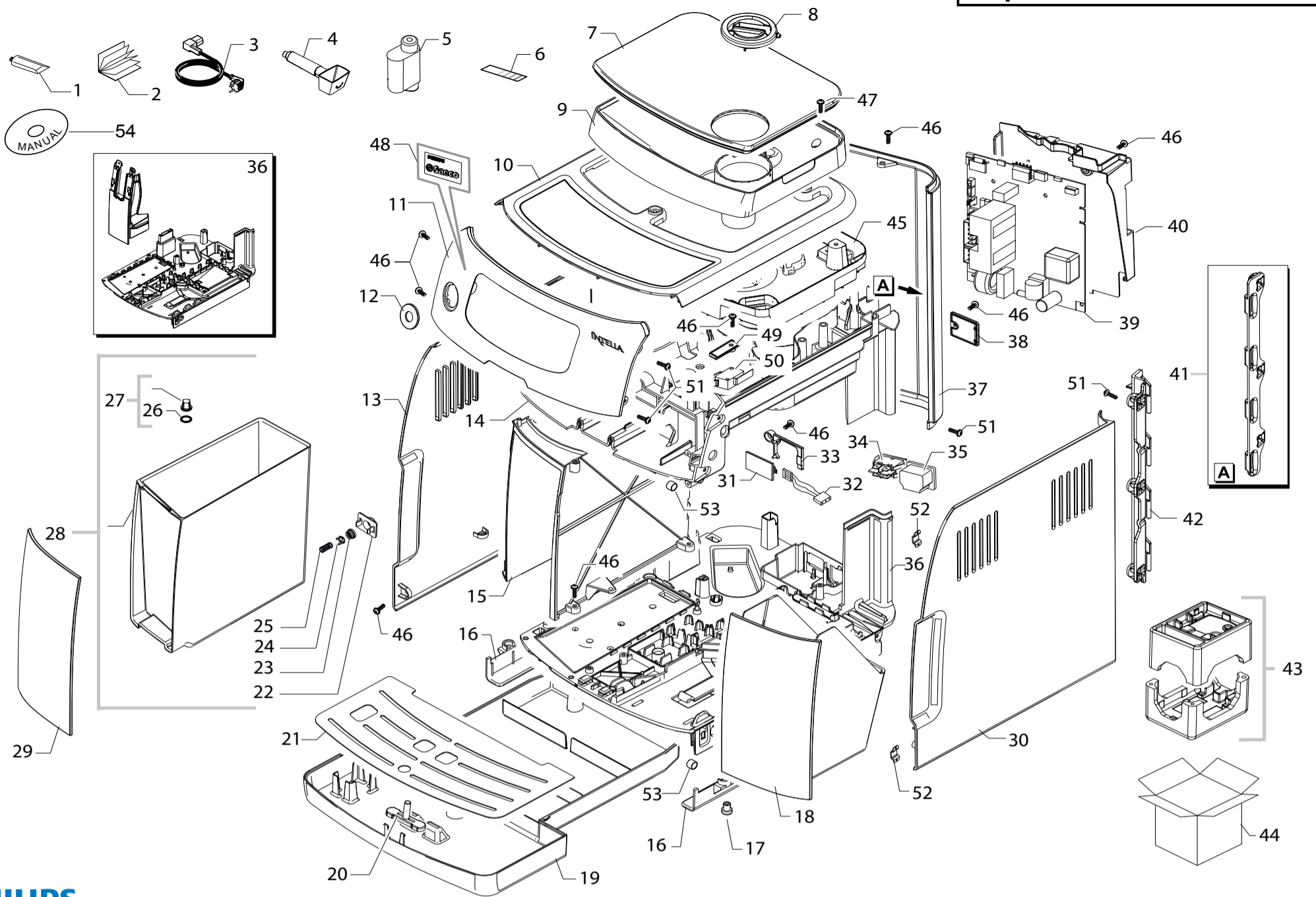
Saeco

HD8751/04-06-11-12-15-19-23-41-43-47
 HD8751/71-88 - HD8752/05-22-23-25
 HD8752/41-49-61
 HD8752/83-87-89



Cod.10004055-4057-3844-3846-3937-3845-4115-4058-4059-4056
 Cod.882875171010-10004101-3936-3861-3935-4232-882875225630
 Cod.10003849-882875241020-3860-882875249020-3986
 Cod.10004102-4103-882875287740-4104

| POS | CODE | 12NC | DESCRIPTION | NOTE | POS | CODE | 12NC | DESCRIPTION | NOTE |
|-----|-----------|--------------|--|-----------------|-----|--------------|--------------|--|-----------------|
| 01 | 11028379 | 996530070318 | PSA KLUBER TRIBOSTAR SIL 2 TUBE 5GR. | | 10 | 11031331 | 996530073214 | G/ANT.UPPER CASING COVER NPR/B-P | FOCUS ANTH |
| 02 | 15002877 | 996530068713 | MANUAL PSA HD8751 NPR/P GB | | 11 | 11026478 | 996530068756 | SILVER FRONT PANEL S/SCR.NPR/H-P | CLASS |
| | 15002879 | 996530068734 | MANUAL PSA HD8751 NPR/P FR | | | 11030526 | 996530072905 | SILVER FRONT PANEL S/SCR.NPR/H-P | CLASS |
| | 15002880 | 996530068746 | MANUAL PSA HD8751 NPR/P ES | | | 11026295 | 996530068754 | BLACK FRONT PANEL S/SCR.NPR/H-P | FOCUS |
| | 15002987 | 996530070364 | MANUAL PSA HD8751 NPR/P CHN | | | 11030590 | 996530072885 | MATT/BLACK FRONT PANEL S/SCR.NPR/H-P | FOCUS |
| | 15002931 | 996530068664 | MANUAL PSA HD8752 NPR/H GB | | | 11030230 | 996530072908 | SS FRONT PANEL V2 S/SCR.NPR/HM ASSY. | CLASS METAL |
| | 15002933 | 996530068672 | MANUAL PSA HD8752 NPR/H FR | | | 421946006771 | 421946006771 | G/ANT.FRONT PANEL S/SC.SAE INTEL.NPR/H-P | FOCUS ANTH |
| | 15002934 | 996530068738 | MANUAL PSA HD8752 NPR/H ES | | 12 | 11026290 | 996530068757 | CHROM.FRONT PANEL CAP NPR/H-P | CLASS/MET/ANT |
| | 15002989 | 996530071975 | MANUAL PSA HD8752 NPR/H CHN | | | 11026768 | 996530068759 | BLACK FRONT PANEL CAP NPR/H-P | FOCUS |
| | 15003074 | 996530072425 | MANUAL PSA HD8751 NPR/P PT/BRA | | | 11030533 | 996530072903 | MATT/BLACK FRONT PANEL CAP NPR/H-P | FOCUS |
| 03 | 183911050 | 996530025808 | BLACK POWER CABLE SCHUKO L=1200 | | 13 | 17001299 | 996530068729 | BLACK LEFT SIDE CASING NPR | |
| | | 421946001591 | BLK POWER CABLE SCHUKO L=800 | | 14 | 11030130 | 996530072415 | BLK COFFEE GRINDER SUPP.PLATE V2 NPR/H-P | |
| | 183940650 | 996530025872 | BLACK POWER CABLE AUSTRALIA L=1200 | | 15 | 17001114 | 996530068752 | BLACK CASING BOTTOM INSERT NPR | FOCUS / CL.BLK |
| | 183930650 | 996530025858 | POWER CABLE CH BLACK 3X1 H05VV-F L=1200 | | | 11027799 | 996530068712 | GREYCASING BOTTOM INSERT NPR | CLASS MET |
| | 11004247 | 996530002167 | BLACK POWER CABLE RVV 3X1 CHINA L=1200 | | | 17001110 | 996530068723 | BLACK DRIP TRAY GUIDE NPR | CLASSBLK/SILVER |
| | 11001985 | 996530001089 | BLACK POWER CABLE KOREA L=1200 | | 16 | 17001110 | 996530068723 | BLACK DRIP TRAY GUIDE NPR | |
| | 183970350 | 996530025882 | BLACK POWER CABLE UK L=1200 | | 17 | 147622800 | 996530016875 | TRANSPARENT SILICONE FOOT | |
| | 183921950 | 996530025843 | POWER CABLE SJT3 USA BLACK UL L=1200 | | 18 | 11026472 | 996530068718 | SILVER DUMP BOX NPR/H-P | CLASS |
| | 11004246 | 996530002166 | BLACK POWER CABLE TAIWAN HVCTF L=1200 | | | 11030555 | 996530072904 | SILVER DUMP BOX NPR/H-P | CLASS |
| | 17800330 | 996530069926 | BLACK POWER CABLE BRAZIL L=1200 | BRA 120V | | 17001136 | 996530068695 | BLACK DUMP BOX NPR/H-P | FOCUS |
| | 17800019 | 996530009627 | BLACK POWER CABLE BRAZIL L=1200 | BRA 230V | | 11030534 | 996530072525 | MATT/BLACK DUMP BOX NPR/H-P | FOCUS |
| 04 | 146680850 | 996530016529 | BLACK COFFEE MEASURE SMART | | | 11028562 | 996530070355 | SS DUMP BOX NPR/HM ASSY. | CLASS METAL |
| 05 | 21002051 | 996530071783 | ACC PSA MAVEA WATER FILTER 1UNIT | USA BRA | | 11029854 | 996530073359 | G/ANT.DUMP BOX NPR/H-P | FOCUS ANTH |
| 06 | 0301.961 | 996530039604 | STICKER FOR WATER HARDNESS TEST | | 19 | 17001105 | 996530068696 | BLACK DRIP TRAY NPR/H-P | |
| 07 | 17001245 | 996530068681 | NAT/GREY BEAN COFFEE CONTAIN.LID NPR/H-T | CLASS-CLASSMET. | | 11030489 | 996530072526 | MATT/BLACK DRIP TRAY NPR/H-P | |
| | 17001470 | 996530068715 | NAT/GREY BEAN COFFEE CONTAINER LID NPR/P | FOCUS | | 11013184 | 996530006683 | RED FLOAT FOR DRIP TRAY XSM | |
| 08 | 17001244 | 996530068685 | NAT/GREY GROUND COFFEE HOPPER LID NPR | | | | | | |
| 09 | 17001234 | 996530068743 | NAT/GREY BEAN COFFEE CONTAINER NPR | | | | | | |
| 10 | 20007023 | 996530068677 | SPARES KIT SS/BLK UPPER CASING COV.NPR/H | CLASS-CLASSMET. | | | | | |
| | 11030729 | 996530072896 | BA/SS-MATT/BLK UPP.CASING COV.NPR/H ASSY | CLASS | | | | | |
| | 11030769 | 996530072906 | SB/SS-MATT/BLK UPP.CASING COV.NPR/H ASSY | CLASS METAL | | | | | |
| | 17001287 | 996530068703 | BLACK UPPER CASING COVER NPR/P | FOCUS | | | | | |
| | 11030619 | 996530072457 | MATT/BLACK UPPER CASING COVER NPR/P | FOCUS | | | | | |



PHILIPS

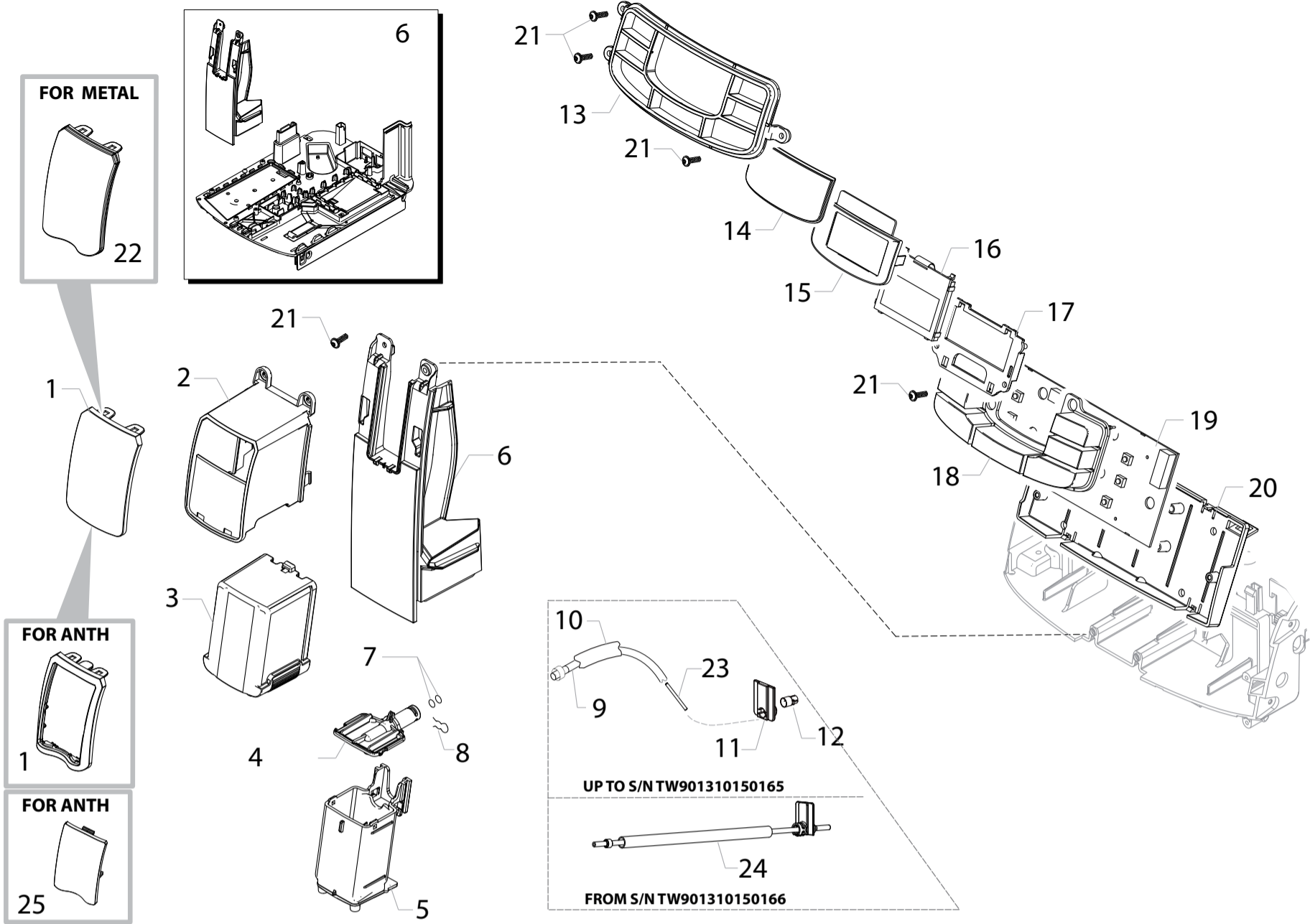
Saeco

HD8751/04-06-11-12-15-19-23-41-43-47
 HD8751/71-88 - HD8752/05-22-23-25
 HD8752/41-49-61
 HD8752/83-87-89



Cod.10004055-4057-3844-3846-3937-3845-4115-4058-4059-4056
 Cod.882875171010-10004101-3936-3861-3935-4232-882875225630
 Cod.10003849-882875241020-3860-882875249020-3986
 Cod.10004102-4103-882875287740-4104

| POS | CODE | 12NC | DESCRIPTION | NOTE | POS | CODE | 12NC | DESCRIPTION | NOTE |
|-----|-----------|--------------|--|-------------|-----|-----------|--------------|--|------|
| 21 | 11027821 | 996530068683 | BA/SS GRATE FOR DRIP TRAY NPR/H | | 40 | 11012301 | 996530006364 | BLACK PWR/CPU BOARD PROTECTION P0057 | |
| | 11029600 | 996530070357 | SB/SS GRATE FOR DRIP TRAY NPR/H | CLASS METAL | 41 | 11012714 | 996530006495 | BLACK HINGE FOR REAR CASING XSM | |
| 22 | 11001298 | 996530000733 | BLACK LID FOR DUCKBILL VALVE P0049 | | 42 | 11012713 | 996530006494 | BLACK HINGE FOR DOOR RIGHT SIDE XSM | |
| 23 | 11003671 | 996530001829 | TRANSP.VALVE FOR WATER CONTAINER P0049 | | 43 | 20007020 | 996530068711 | KIT PS-E INSERT FOR BOX NPR/H-P | |
| 24 | | 421941157852 | GRY WATER CONTAINER VALVE INSERT P0049 | | 44 | | 421946005161 | DISPL.BOX DFX NPR SAE INTEL. | |
| 25 | 11003672 | 996530001831 | SS SPRING FOR WATER CONTAIN.VALVE P0049 | | | 13001339 | 996530067859 | DISPL.BOX NPR/P PSA INTELIA FOCUS WE | |
| 26 | 140328461 | 996530013571 | OR ORM 0190-10 EPDM | | | 13001353 | 996530068689 | DISPL.BOX NPR/H PSA INTELIA CLASS WE | |
| 27 | 224640200 | 996530029115 | WHITE WATER CONTAINER EXT.FILTER ASSY. | | 45 | | 421944002281 | BLK COF.GRINDER SOUNDPROOFING V2 NPR | |
| 28 | 11026289 | 996530068674 | NAT/GREY WATER CONTAINER NPR ASSY. | | 46 | 12000450 | 996530007819 | SCREW TCBR TORX 10 3,5X12 PLAST.ZN-N | |
| 29 | 11026473 | 996530068679 | SILVER WATER TANK FRONT COVER NPR | CLASS | 47 | 129914002 | 996530013165 | SCREW TCB TORX 10 3,5X16 PLAST.ZN-B | |
| | 11030559 | 996530072907 | SILVER WATER TANK FRONT COVER NPR | CLASS | 48 | 11025026 | 996530068191 | ADHES.SILVER PLATE LOGO PHILIPS-SAECO | |
| | 17001120 | 996530068661 | BLACK WATER TANK FRONT COVER NPR | FOCUS | 49 | 17000064 | 996530067437 | BLK CAPACIT.SENSOR DEADLOCK INSERT XSM | |
| | 11030535 | 996530072456 | MATT/BLACK WATER TANK FRONT COVER NPR | FOCUS | 50 | 12001890 | 996530073209 | MICROSWITCH XG/V3D | |
| | 11028561 | 996530070361 | SS WATER TANK FRONT COVER NPR/HM ASSY. | CLASS METAL | 51 | 12001728 | 996530070321 | SCREW TCBR TORX 10 3,5X12 PLAST.SS | |
| | 11029853 | 996530072452 | G/ANT.WATER TANK FRONT COVER NPR | FOCUS ANTH | 52 | 11013220 | 996530069857 | STEEL PLATE FOR DOOR MAGNET XSM | |
| 30 | 17000739 | 996530072473 | MATT/BLACK RIGHT SIDE DOOR V2 NPR | | 53 | 9161.111 | 996530050555 | MAGNET FOR FLOAT SUPERAUT. | |
| 31 | 11003232 | 996530001522 | AS.CPU+SW WATER LEVEL SENSOR V2 | 230V | 54 | | 421940438781 | DOCUMENT.DVD V2 NPR INTELIA/INTUITA ASSY | |
| 31 | 11000651 | 996530000425 | WATER LEVEL SENSOR BOARD P124 | 120V | | | | | |
| 32 | 17800165 | 996530068745 | 3POLES CONNECTOR WATER LEVEL CLP UL | | | | | | |
| 33 | 17001179 | 996530068749 | BLK CAPACIT.SENSOR LOCKING INSERT NPR | | | | | | |
| 34 | NE03.038 | 996530058836 | BIPOLAR SWITCH FUSIT C1250AR | | | | | | |
| | | 242212625107 | SWI POW 2P 16A 250V FASTON IEC 1552 B | | | | | | |
| 35 | 12001883 | 996530072437 | CUP SOCKET V3 EN 60320 C 13 | | | | | | |
| | 12001645 | 996530069782 | CUP SOCKET V2 EN 60320 C 13 | UL | | | | | |
| 36 | 20007061 | 996530070363 | KIT BLK BOTTOM+FRONT CASING COVER V2 NPR | FOCUS | | | | | |
| | 20007062 | 996530070366 | KIT SIL.BOTTOM+FRONT CASING COVER V2 NPR | CLASS | | | | | |
| | | 421944011071 | BLK CASING BOTTOM V3A NPR/T | ALL MODELS | | | | | |
| | | | FROM S/N. TW 901136442240 | | | | | | |
| 37 | 17001240 | 996530068714 | BLACK REAR CASING NPR | | | | | | |
| 38 | 17001484 | 996530068728 | BLACK REAR CASING PROGRAM.INSERT NPR | | | | | | |
| 39 | 11026009 | 996530068707 | AS.CPU+SW NPR/H-P | 230V | | | | | |
| | 11028192 | 996530072419 | AS.CPU+SW NPR/H-P | 120V | | | | | |



PHILIPS

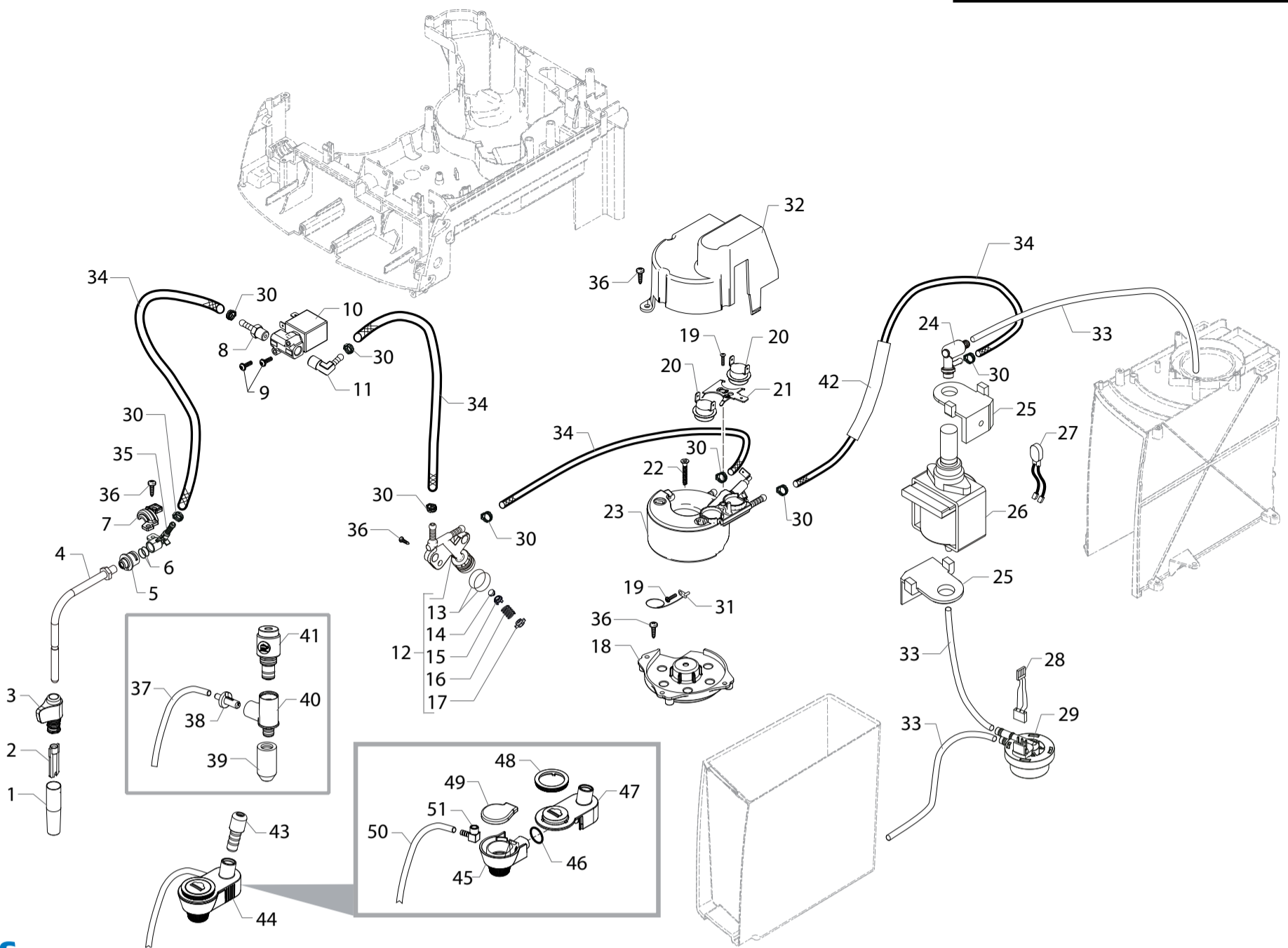
Saeco

HD8751/04-06-11-12-15-19-23-41-43-47
 HD8751/71-88 - HD8752/05-22-23-25
 HD8752/41-49-61
 HD8752/83-87-89



Cod.10004055-4057-3844-3846-3937-3845-4115-4058-4059-4056
 Cod.882875171010-10004101-3936-3861-3935-4232-882875225630
 Cod.10003849-882875241020-3860-882875249020-3986
 Cod.10004102-4103-882875287740-4104

| POS | CODE | 12NC | DESCRIPTION | NOTE | POS | CODE | 12NC | DESCRIPTION | NOTE |
|-----|-----------|--------------|---|-------------|-----|--------------|--------------|--|-----------------|
| 01 | 11026471 | 996530068716 | SILVER COF.DISPENSER FRONT PLATE NPR/H-P | CLASS | 11 | 11005100 | 996530002748 | PLATE FOR BUSH TEFLON TUBE 2X4 P124 | |
| | 11030553 | 996530072911 | SILVER COF.DISPENSER FRONT PLATE NPR/H-PS | CLASS | 12 | 11005101 | 996530002749 | BLACK BUSH FOR TEFLON TUBE 2X4 P124 | |
| | 17001236 | 996530068665 | BLK COFFEE DISPENSER FRONT PLATE NPR/H-P | FOCUS | 13 | 11029834 | 996530072465 | CRC TOUCH PANEL FRAME NPR/H-P | |
| | 11030532 | 996530072509 | MATT/BLK COF.DISPENS.FRONT PLATE NPR/H-P | FOCUS | | 11026294 | 996530068758 | SILVER TOUCH PANEL FRAME NPR/H-P | FOCUS |
| | 11029779 | 996530072482 | CHROM.COFF.DISPEN.FRONT PLATE V2 NPR/H-T | FOCUS ANTH | 14 | 17001112 | 996530068675 | TRANSP.GLASS FOR DISPLAY NPR | |
| 02 | 17001239 | 996530068699 | BLACK COFFEE DISPENSER LID NPR | | 15 | 17001111 | 996530068673 | BLACK DISPLAY FRAME NPR | |
| | 11030531 | 996530072512 | MATT/BLACK COFFEE DISPENSER LID NPR | | 16 | 421941300941 | 421941300941 | DISPLAY LCD 128X64 SMR | |
| | 11031364 | 996530073213 | CRC COFFEE DISPENSER LID NPR | FOCUS ANTH | 17 | 17001100 | 996530068682 | BLACK DISPLAY SUPPORT NPR | |
| 03 | 17001242 | 996530068698 | BLACK COFFEE DISPENSER MOBILE PART NPR | | 18 | 11026476 | 996530068755 | SIL.6BUTTONS TOUCH PANEL S/S.STEAM NPR/H | CLASS/CLASS.MET |
| 04 | 17001246 | 996530068742 | BLACK COFFEE DISPENSER BODY LID NPR | | | 11026293 | 996530068753 | SILVER 6BUTTONS TOUCH PANEL S/SCR.NPR/P | FOCUS |
| 05 | 17001894 | 996530071881 | BLACK COFFEE DISPENSER BODY V2 NPR | | | 11029681 | 996530072495 | BLACK 6BUTTONS TOUCH PANEL S/SCR.NPR/P | |
| 06 | 20007061 | 996530070363 | KIT BLK BOTTOM+FRONT CASING COVER V2 NPR | FOCUS | 19 | 11025830 | 996530068721 | KYB - INTERFACE NPR/H-T | CLASS/CLASS.MET |
| | 20007062 | 996530070366 | KIT SIL.BOTTOM+FRONT CASING COVER V2 NPR | CLASS | | 11025833 | 996530068666 | KYB - INTERFACE NPR/P | FOCUS |
| | 17000772 | 996530069789 | BLACK FRONT CASING COVER V2 NPR | FOCUS | 20 | 11030078 | 996530071879 | BLACK DISPLAY KEYBOARD SUPPORT V2 NPR | |
| | 11030536 | 996530072527 | MATT/BLACK FRONT CASING COVER V2 NPR | FOCUS | 21 | 12000450 | 996530007819 | SCREW TCBR TORX 10 3,5X12 PLAST.ZN-N | |
| | 11027971 | 996530070367 | SILVER FRONT CASING COVER V2 NPR | CLASS | 22 | 11028589 | 996530070369 | SS COF.DISPENS.FRONT PLATE NPR/HT-TM ASS | CLASS METAL |
| | 11030562 | 996530072909 | SILVER FRONT CASING COVER V2 NPR | CLASS | 23 | 17000266 | 996530071774 | SS.L=22,6MM INT.BUSH FOR TEFLON TUBE D4 | |
| | 11028558 | 996530070368 | SS FRONT CASING COVER NPR/HM ASSY. | CLASS METAL | 24 | 11031203 | 996530073357 | TEFL.TUBE 2X4 L=235+PLATE+2BUSH NPR ASSY | |
| | 11031363 | 996530073212 | CRC FRONT CASING COVER V2 NPR | FOCUS ANTH | 25 | 11029841 | 996530072491 | CRC COFF.DISPENSER FRONT INSERT NPR/H-T | FOCUS ANTH |
| 07 | 140328059 | 996530013564 | OR 2015 SILICONE PTFE/FDA | | | | | | |
| 08 | 9011.144 | 996530048885 | SS FORK FOR TUBE D=4 | | | | | | |
| 09 | 11004132 | 996530002073 | TEFLON TUBE 2X4 L=250 MM ASSY. | | | | | | |
| 10 | 149361200 | 996530018278 | BLACK SILICONE TUBE 7,5X9,3 | IN ROLL | | | | | |



PHILIPS

Saeco

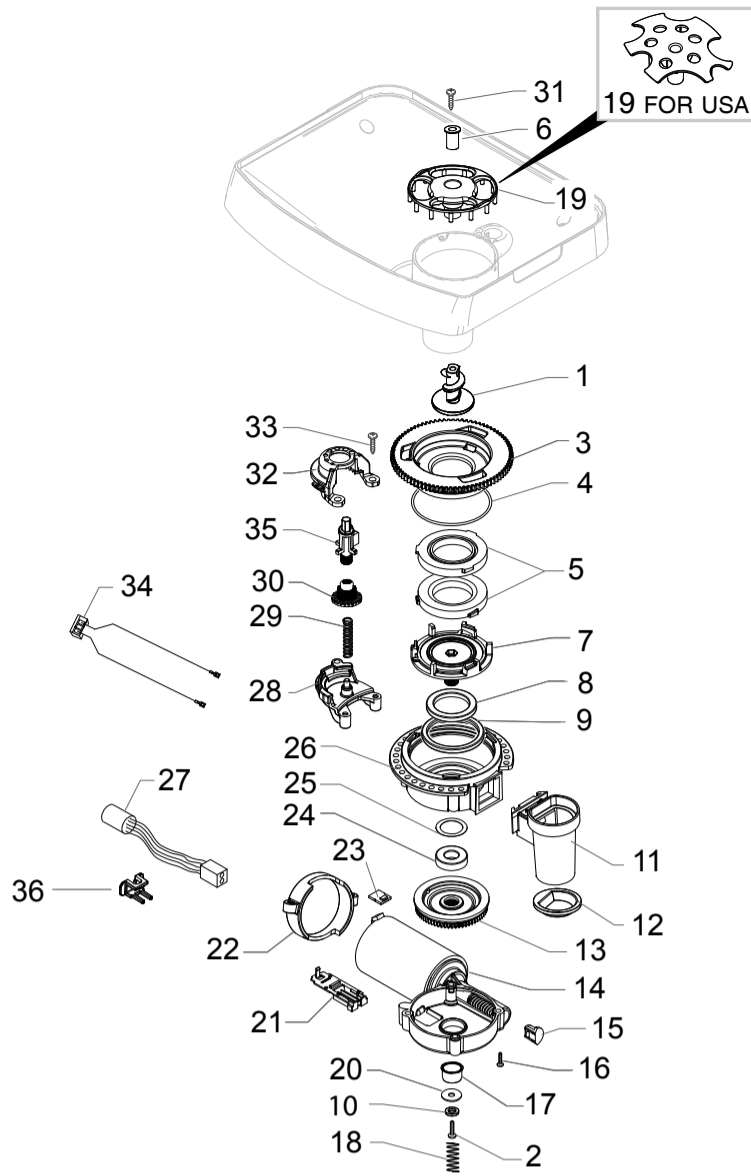
HD8751/04-06-11-12-15-19-23-41-43-47
 HD8751/71-88 - HD8752/05-22-23-25
 HD8752/41-49-61
 HD8752/83-87-89



Cod.10004055-4057-3844-3846-3937-3845-4115-4058-4059-4056
 Cod.882875171010-10004101-3936-3861-3935-4232-882875225630
 Cod.10003849-882875241020-3860-882875249020-3986
 Cod.10004102-4103-882875287740-4104

| POS | CODE | 12NC | DESCRIPTION | NOTE |
|-----|-----------|--------------|---|-----------------|
| 01 | 11011504 | 996530006079 | TF/CHROM.PANNARELLO COVER P0049 | CLASS/CLASS.MET |
| | 11001769 | 996530001012 | BLACK PANNARELLO COVER P0049 | FOCUS |
| | 11001621 | 996530000926 | SS PANNARELLO COVER P0049 | FOCUS ANTH |
| 02 | 11001620 | 996530000925 | BLACK PANNARELLO INNER TUBE P0049 | |
| 03 | | 421941300671 | BLACK/SIL.STEAM TUBE HANDGRIP G0053 | |
| 04 | 11027861 | 996530068662 | TF/CHROM.STEAM TUBE D=5,4 NPR ASSY. | |
| 05 | 11011127 | 996530005979 | BLACK PA6 BUSH FOR STEAM TUBE P0057 | |
| 06 | 140324461 | 996530013509 | OR ORM 0060-20 TERMOIL | |
| 07 | 11013894 | 996530006914 | BLACK FORK FOR STEAM TUBE GXSM | |
| 08 | 11024868 | 996530070371 | L-F/BRASS CONNECT.FOR ALUM.BOILER | |
| 09 | 129823802 | 996530013077 | TCB SCREW M4X8 UNI 7687 ZNP | |
| 10 | 11024038 | 996530067667 | BRASS 2WAY EV 21JN1RRV20-XT+LBV05024CU | |
| 11 | 11024469 | 996530067632 | L-F/BRASS CONNECTOR FOR BOILER AURA | |
| 12 | 17000114 | 996530068077 | FLOW SELECTOR FAUCET NPR | |
| 13 | 12000893 | 996530007948 | OR ORM 0120-20 BLACK EPDM | |
| 14 | 11008104 | 996530004722 | MUSHROOM VALVE FOR FLOW SELECTOR P0057 | |
| 15 | 11008105 | 996530004723 | FLOW SELECTOR VALVE SUPPORT P0057 | |
| 16 | 11008077 | 996530004709 | STEEL FLOW SELECTOR VALVE SPRING P0057 | |
| 17 | 11008106 | 996530004724 | FLOW SELECTOR VALVE CAP P0057 | |
| 18 | 11022791 | 996530007442 | BLACK SLIM/EXSL TUB.BOILER SUPPORT | |
| 19 | 12001715 | 996530069758 | SCREW TCB TORX 20 M4X8 AUTOFORMING ZN-B | |
| 20 | 12001033 | 996530007973 | THERMOSTAT ONE SHOT 190° | |
| 21 | 11001751 | 996530000997 | TUB.BOILER V3 UPPER THERM.FIXING SPRING | |
| 22 | 12001280 | 996530008024 | SCREW TSP TORX 10 5X20 PLAST.ZN-B | |
| 23 | 17000346 | 996530068751 | HP/SLIM TUB.BOILER ASSY. | 1900W 230V |
| | 11023153 | 996530007586 | SLIM TUB.BOILER ASSY. | 1300W 120V |
| 24 | 11004689 | 996530002484 | TEA/BRASS SAFETY VALVE 16-18 BAR ASSY. | |
| 25 | 149205850 | 996530018056 | BLACK TYPE ULKA PUMP W/BEVEL SUPPORT | |
| 26 | 12000140 | 996530007753 | ULKA PUMP EP5/S GW | 230V-50HZ |
| | 12000182 | 996530007782 | ULKA PUMP EP5/S GW | 220V-60HZ |
| | 12000142 | 996530007754 | ULKA PUMP EAP5/S | 120V-60HZ |
| 27 | | 421946000131 | 2P.CONN.PUMP V2 CLP UL ASSY. | |
| 28 | 17800229 | 996530068671 | 3POLES CONNECTOR FLOWMETER CLP UL | |
| 29 | NV99.099 | 996530059843 | TURBINE D=1,2 932-8521/00 ASSY. | |
| 30 | 12000892 | 996530007947 | OETIKER CLAMP D=9,5 16700004 | |
| 31 | 190800100 | 996530026997 | TEMPERATURE SENSOR NTC UL L=280MM | |
| 32 | 17001440 | 996530068747 | BLK BOILER INSULATING COVER NPR | |

| POS | CODE | 12NC | DESCRIPTION | NOTE |
|-----|-----------|--------------|--|-----------------|
| 33 | JS01.022 | 996530057357 | SILICONE TUBE 5X10 60SH | IN ROLL |
| 34 | 16000380 | 996530009505 | 5X8,9 SILICONE TUBE | IN ROLL |
| 35 | 11005757 | 996530003103 | STEAM TUBE SUPPORT P0057 | |
| 36 | 12000450 | 996530007819 | SCREW TCB TORX 10 3,5X12 PLAST.ZN-N | |
| 37 | 229363500 | 996530031599 | SILICONE TUBE 3,5X6 L=400 MM | |
| 38 | 17001459 | 996530068727 | BLK CAP.MILK TUBE CONNECT.D=1,05 NPR/H | CLASS/CLASS.MET |
| 39 | 20007021 | 996530068684 | SPARES KIT SS/BLK CAPP.LOWER PART NPR/H | CLASS/CLASS.MET |
| 40 | 20007022 | 996530068692 | SPARES KIT SS/BLK CAPP.UPPER PART NPR/H | CLASS/CLASS.MET |
| 41 | 11026707 | 996530068055 | BLACK STEAM TUBE HANDGRIP S/SCR.NPR/H | CLASS |
| 42 | 16000540 | 996530009523 | TRANSPAR.10,5X12,3 SILICONE TUBE | IN ROLL |
| 43 | | 421941301142 | BLK STEAM TUBE INSERT V2 SMR/H | |
| 44 | | 421941301152 | BLK CAPPUC.V2 SMR/H ASSY. | |
| 45 | | 421941301082 | BLK CAPPUC.CASING V2 SMR/H | |
| 46 | NM01.028 | 996530059392 | O-RING 106 SILICONE | |
| 47 | | 421941301101 | BLK CAPPUC.CASING COVER N/S/S.SMR/H ASSY | |
| 48 | | 421941301121 | BLK CAPPUC.CASING COVER RING SMR/H | |
| 49 | | 421941301131 | BLK CAPPUC.CASING SEAL SMR/H | |
| 50 | 9972.045 | 996530051237 | SILICONE TUBE 3,5X6 L=350 MM DS | |
| 51 | 147922350 | 996530017377 | BLK CONNECTOR 90° FOR SPHERIC.CAPPUC | |
| | 11026286 | 996530068717 | HP/SLIM TUB.BOILER STD 1900W 230V ASSY. | COMPLETE |
| | | | WITH PART.N°19 - 20 - 21 - 23 - 31 | |
| | 11026684 | 996530069761 | SLIM TUB.BOIL.STD C1 T190° 1300W 120V AS | COMPLETE |
| | | | WITH PART.N°19 - 20 - 21 - 23 - 31 | |



PHILIPS

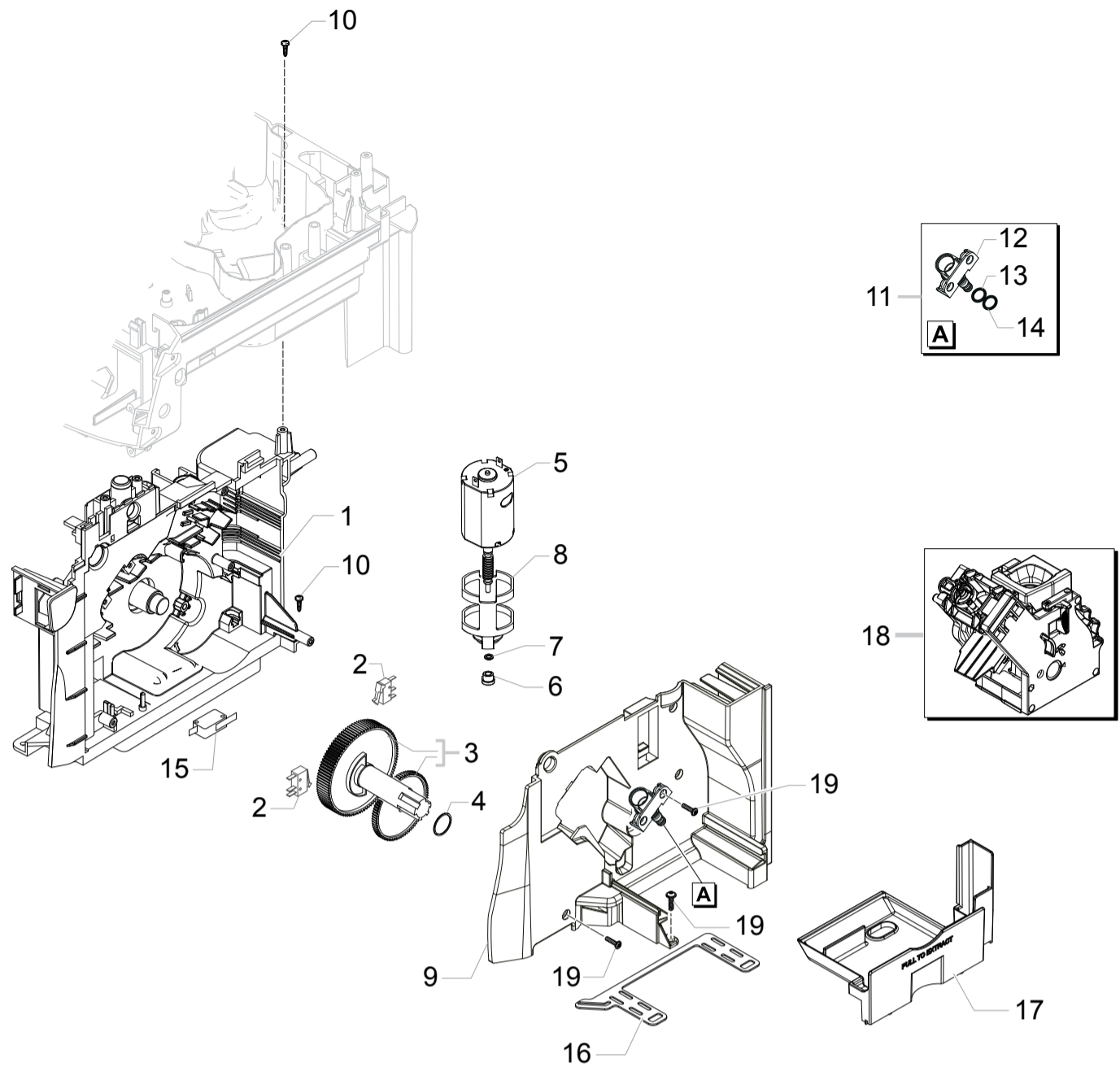
Saeco

HD8751/04-06-11-12-15-19-23-41-43-47
 HD8751/71-88 - HD8752/05-22-23-25
 HD8752/41-49-61
 HD8752/83-87-89



Cod.10004055-4057-3844-3846-3937-3845-4115-4058-4059-4056
 Cod.882875171010-10004101-3936-3861-3935-4232-882875225630
 Cod.10003849-882875241020-3860-882875249020-3986
 Cod.10004102-4103-882875287740-4104

| POS | CODE | 12NC | DESCRIPTION | NOTE | POS | CODE | 12NC | DESCRIPTION | NOTE |
|-----|-----------|--------------|--|----------|-----|----------|--------------|---|-----------------|
| 01 | 11010031 | 996530005586 | TEA/ZAMA INCREASE SCREW GRINDER | | | | | | |
| | 11024208 | 996530066712 | TEA SHORT ZAMA INCREASE SCREW GRINDER | ONLY USA | | | | | |
| 02 | 129574802 | 996530012928 | SCREW TCB TORX 20 M4X30 ZN-B | | 35 | 11003446 | 996530001673 | BLACK BEAN COFFEE GRINDER INSERT P0049 | |
| 03 | | 421941094152 | BLK COF.GRINDER UPPER GRINDER SUPPORT V2 | | 36 | 17001921 | 996530072477 | BLK WIRING FIX INSERT FOR GRINDER BOARD | |
| 04 | 140328960 | 996530013577 | OR ORM 0530-15 NBR FDA | | | | | | |
| 05 | 146520100 | 996530016342 | BAKED CLAY GRINDER 48X28 | | | 11026298 | 996530068697 | GEN.MOTOR COFFEE GRINDER NPR ASSY. | 230V |
| 06 | 11012466 | 996530006412 | BRASS BUSH BEAN CONT.FINGER PROTEC.P0057 | | | 11028279 | 996530071878 | GEN.MOTOR COFFEE GRINDER NPR ASSY. | 120V BRA-TW-USA |
| 07 | 149198350 | 996530017952 | BLK LOWER COFFEEGRINDER GRINDER SUPPORT | | | | | | |
| 08 | 123030300 | 996530011183 | AXIAL BEARING EKKO 342.35252 | | | | | | |
| 09 | 140360500 | 996530013597 | FELT RING 45,4X39,4X4 | | | | | | |
| 10 | 128310402 | 996530012341 | GALV.WASHER UNI 8842 A4 | | | | | | |
| 11 | 11026355 | 996530068049 | BLK GROUND COFF.OUTLET CONVEYOR V4 ASSY. | | | | | | |
| 12 | 145854462 | 996530015959 | BLK GROUND COFFEE CONT.LOWER SEAL SMART1 | | | | | | |
| 13 | 226000300 | 996530029609 | GEAR SX Z=38 FOR GRINDER MOTION ASSY. | | | | | | |
| 14 | 11000513 | 996530000317 | MOTOR COFFEEGRINDER V3.1 ASSY. | 230V | | | | | |
| | 11000511 | 996530000315 | MOTOR COFFEEGRINDER V3.1 ASSY. | 120V | | | | | |
| 15 | 149214800 | 996530018139 | MC V3 MOD=1,25 WORM SCREW CENTRING CAP | | | | | | |
| 16 | 129661702 | 996530012992 | SCREW TCB TORX 3,5X30 PLAST.ZN-B | | | | | | |
| 17 | 11002873 | 996530001389 | INSULATOR BUSH FOR GRINDER MOTOR P124 | | | | | | |
| 18 | 11000597 | 996530000376 | COFFEE GRINDER SUPPORT SPRING P124 | | | | | | |
| 19 | 11014285 | 996530007058 | BLK V2 BEAN CONTAIN.FINGER PROTECT.P0057 | | | | | | |
| | | 421944001511 | TRANS.BEAN CONT.FINGER PROTECT.V3 NPR UL | ONLY USA | | | | | |
| 20 | 128381902 | 996530012375 | STEEL FLAT WASHER DI=4,3 DE=14 SP=1,5 | | | | | | |
| 21 | 149199050 | 996530017963 | BLK SENSOR SUPPORT FOR COF.GRINDER MOTOR | | | | | | |
| 22 | 11000194 | 996530000115 | BLACK COFFEEGRINDER MOTOR SUPPORT P124 | | | | | | |
| 23 | 181540900 | 996530022784 | ELECTR.BOARD WITH SENSOR HAL506 SF-K | | | | | | |
| 24 | 123030200 | 996530011182 | RADIAL BEARING 61900.2RS1 | | | | | | |
| 25 | 128381800 | 996530012374 | STEEL CRINKLE WASHER 21,8X14X0,25 | | | | | | |
| 26 | 142905450 | 996530015258 | BLK UPPER BODY WITH COFFEE GROUND OUTLET | | | | | | |
| 27 | | 421946000091 | 3P.CONN.MC SENSOR V2 NPR UL ASSY. | | | | | | |
| 28 | 11002613 | 996530001314 | LOWER COFFEEGRINDER GEAR SUPPORT P124 | | | | | | |
| 29 | 11002572 | 996530001308 | COFFEEGRINDER REGULATION SPRING P124 | | | | | | |
| 30 | 11003784 | 996530001907 | COFFEE GRINDING ADJUSTMENT GEAR P0049 | | | | | | |
| 31 | U043.004 | 996530061808 | ZN-B TCB SCREW M4X16 | | | | | | |
| 32 | 11002508 | 996530001296 | UPPER COFFEEGRINDER GEAR SUPPORT P124 | | | | | | |
| 33 | 129914002 | 996530013165 | SCREW TCB TORX 10 3,5X16 PLAST.ZN-B | | | | | | |
| 34 | | 421946000121 | 2P.CONN.COF.GRINDER MOTOR V2 NPR UL ASSY | | | | | | |



PHILIPS

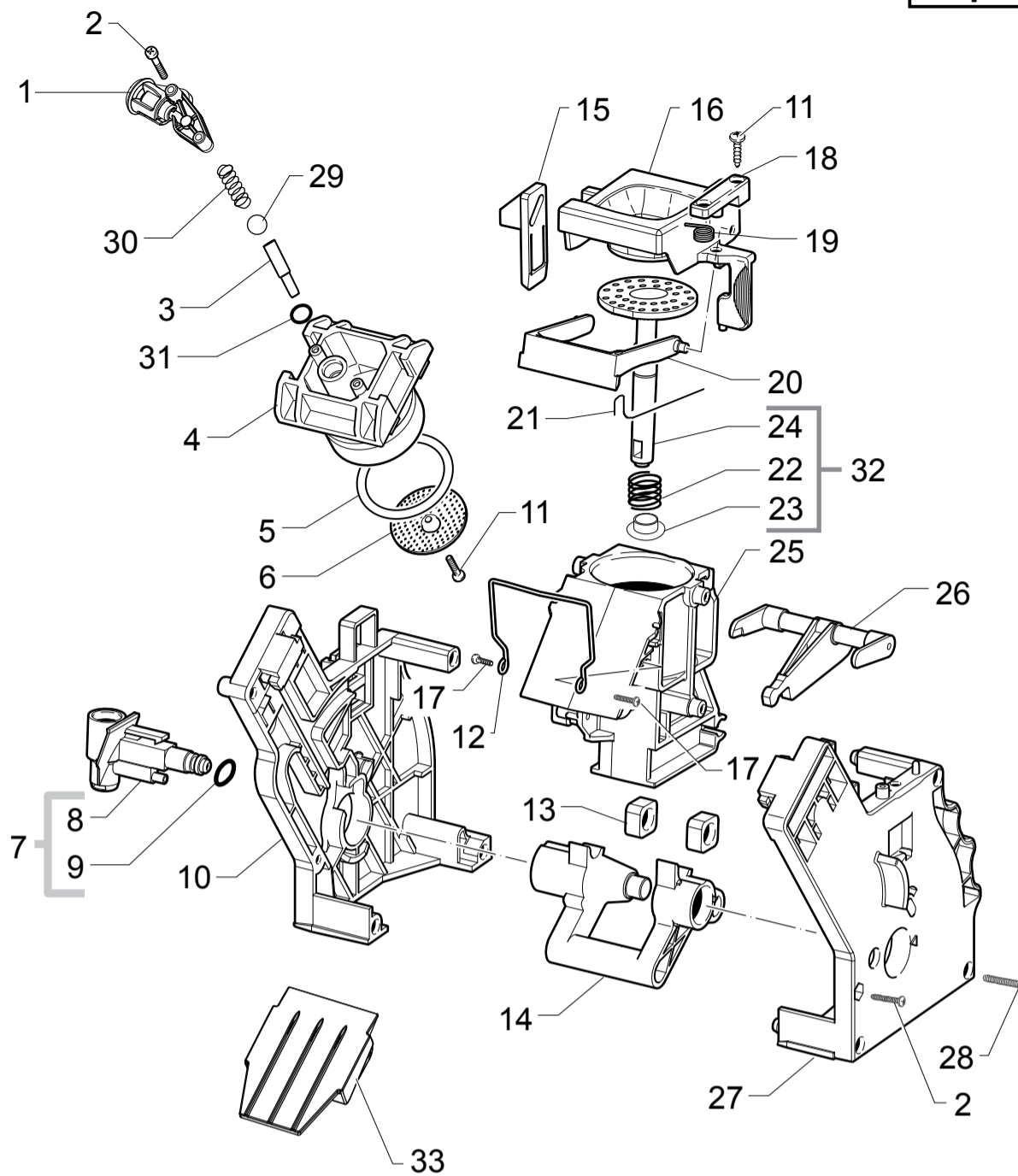
Saeco

HD8751/04-06-11-12-15-19-23-41-43-47
 HD8751/71-88 - HD8752/05-22-23-25
 HD8752/41-49-61
 HD8752/83-87-89



Cod.10004055-4057-3844-3846-3937-3845-4115-4058-4059-4056
 Cod.882875171010-10004101-3936-3861-3935-4232-882875225630
 Cod.10003849-882875241020-3860-882875249020-3986
 Cod.10004102-4103-882875287740-4104

| POS | CODE | 12NC | DESCRIPTION | NOTE | POS | CODE | 12NC | DESCRIPTION | NOTE |
|-----|-----------|--------------|--|------|-----|------|------|-------------|------|
| 01 | 1700366 | 996530066736 | BLK RATIOMOTOR MOUNTING PLATE XSMC ASSY. | | | | | | |
| 02 | 12001841 | 996530073474 | MICROSWITCH XC/V4D | | | | | | |
| 03 | 20000900 | 996530009913 | SPARES KIT GEARS FOR RATIOMOTOR V2 | | | | | | |
| 04 | 9161.132 | 996530050569 | MYLAR WASHER FOR RATIOMOTOR | | | | | | |
| 05 | 11005214 | 996530002796 | MOTOR FOR RATIOMOTOR P124 ASSY. | | | | | | |
| 06 | 9121.046 | 996530049898 | BRONZE SINTERED BUSH FOR MOTOR RATIOMOT. | | | | | | |
| 07 | 148380200 | 996530017424 | BAKELIZZATE WASHER D=5,5 | | | | | | |
| 08 | 9121.044 | 996530049896 | ANTIVIBRATION FOR MOTOR | | | | | | |
| 09 | 11003754 | 996530001899 | BLK RATIOMOT.MOUNTING PLATE COVER P0057 | | | | | | |
| 10 | 12000450 | 996530007819 | SCREW TCBR TORX 10 3,5X12 PLAST.ZN-N | | | | | | |
| 11 | 11013531 | 996530006805 | PIN FOR FLOW SELECTOR FAUCET P0057 ASSY. | | | | | | |
| 12 | 11013530 | 996530006804 | PIN FOR FLOW SELECTOR FAUCET V2 P0057 | | | | | | |
| 13 | NM01.035 | 996530059399 | OR ORM 0090-20 SILICONE | | | | | | |
| 14 | NM01.057 | 996530059419 | OR ORM 0050-20 IN SILICONE | | | | | | |
| 15 | 12001890 | 996530073209 | MICROSWITCH XG/V3D | | | | | | |
| 16 | 11013205 | 996530006688 | BLACK SEAL FOR RATIOMOTOR PLATE XSM | | | | | | |
| 17 | 17001336 | 996530068732 | GREY BREW UNIT DRAWER COFFEE NPR | | | | | | |
| 18 | 11031554 | 996530073362 | BLACK BREW UNIT 8GR.5BAR HGO | | | | | | |
| 19 | 12001728 | 996530070321 | SCREW TCBR TORX 10 3,5X12 PLAST.SS | | | | | | |



PHILIPS

Saeco

HD8751/04-06-11-12-15-19-23-41-43-47
 HD8751/71-88 - HD8752/05-22-23-25
 HD8752/41-49-61
 HD8752/83-87-89



Cod.10004055-4057-3844-3846-3937-3845-4115-4058-4059-4056
 Cod.882875171010-10004101-3936-3861-3935-4232-882875225630
 Cod.10003849-882875241020-3860-882875249020-3986
 Cod.10004102-4103-882875287740-4104

| POS | CODE | 12NC | DESCRIPTION | NOTE | POS | CODE | 12NC | DESCRIPTION | NOTE |
|-----|--------------|--------------|--|------|-----|------|------|-------------|------|
| 01 | 11009362 | 996530005415 | BLK COF.OUTLET SLEEVE BREW UNIT S0053 AS | | | | | | |
| 02 | 12000550 | 996530007838 | SCREW TCB TORX 10 3X25 PLAST.SS | | | | | | |
| 03 | 11009276 | 996530005372 | BLK COUNTER PISTON TUBE BREW UNIT S0053 | | | | | | |
| 04 | 11001840 | 996530001046 | BLACK COUNTER PISTON BREW UNIT 8GR.P124 | | | | | | |
| 05 | NM01.044 | 996530059406 | OR ORM 0320-40 SILICONE PTFE/FDA | | | | | | |
| 06 | 9161.268 | 996530050709 | PERCOLATOR DE=35,8 ELFO | | | | | | |
| 07 | 20000440 | 996530009825 | BLACK WATER INLET SLEEVE BREW UNIT ASSY. | | | | | | |
| 08 | 9161.064.050 | 996530050488 | BLACK WATER INLET SLEEVE BREW UNIT ROYAL | | | | | | |
| 09 | NM02.007 | 996530059441 | OR 2025 IN TERMOIL | | | | | | |
| 10 | 9161.375.050 | 996530050832 | BLACK BREW UNIT REAR PLATE SMART | | | | | | |
| 11 | 12000895 | 996530007951 | SCREW TSP TORX 10 3X10 PLAST.SS | | | | | | |
| 12 | 11001556 | 996530000898 | SS BREW UNIT SPRING H=49 SMART | | | | | | |
| 13 | 9161.094.050 | 996530050539 | BLACK BREW UNIT DRILLED BLOCK | | | | | | |
| 14 | 9161.066.050 | 996530050492 | BLACK BREW UNIT ELBOW SHAFT M5000 | | | | | | |
| 15 | 9161.373.050 | 996530050827 | BLACK BREW UNIT COUPLING PLATE SMART | | | | | | |
| 16 | 149261350 | 996530018241 | BLACK HOPPER DOSER BREW UNIT SMART1 | | | | | | |
| 17 | 129912521 | 996530013148 | SCREW TCB TORX 10 3,5X14 PLAST.SS | | | | | | |
| 18 | 9161.374.050 | 996530050829 | BLK BREWUNIT HOPPER BLOCKING PLATE SMART | | | | | | |
| 19 | 9161.378 | 996530050838 | SS HOPPER SPRING FOR BREW UNIT SMART | | | | | | |
| 20 | 11004161 | 996530002096 | BLACK SCRAPER FOR BREW UNIT M5000 | | | | | | |
| 21 | 9161.046 | 996530050455 | SS SCRAPER SPRING FOR BREW UNIT | | | | | | |
| 22 | 9161.198 | 996530050627 | SS.8GR.BREW UNIT PISTON SPRING | | | | | | |
| 23 | 9161.191 | 996530050618 | WHITE 8GR.-12GR.BREW UNIT PISTON BUSH | | | | | | |
| 24 | 11003077 | 996530001451 | BLK BREW UNIT INTEGRAL PISTON 8GR.ASSY. | | | | | | |
| 25 | 11003075 | 996530001448 | BLACK COFFEE CONTAINER BREW UNIT P124 | | | | | | |
| 26 | 11003078 | 996530001452 | BLACK CONNECTING ROD BREW UNIT 8GR. | | | | | | |
| 27 | 11005920 | 996530003228 | BLACK BREW UNIT FRONT PLATE S/SCR.SMART | | | | | | |
| 28 | 12000897 | 996530007953 | SCREW TCB TORX 10 3,5X20 PLAST.SS | | | | | | |
| 29 | 9991.168 | 996530051874 | GLASS SPHERE D.5 MM | | | | | | |
| 30 | 11012095 | 996530006305 | SS COFFEE UNIT CONTERPISTON SPRING S0053 | | | | | | |
| 31 | 140328761 | 996530013575 | OR ORM 0060-15 TERMOIL | | | | | | |
| 32 | 11023086 | 996530007577 | BLK 8GR.BREW UNIT NTEGR.PISTON GEN.ASSY. | | | | | | |
| 33 | 17000663 | 996530073322 | BLK BREW UNIT CONVEYOR SLIDE L=76,8 | | | | | | |
| | 11031554 | 996530073362 | BLACK BREW UNIT 8GR.5BAR HGO | | | | | | |