

Service
Service
Service



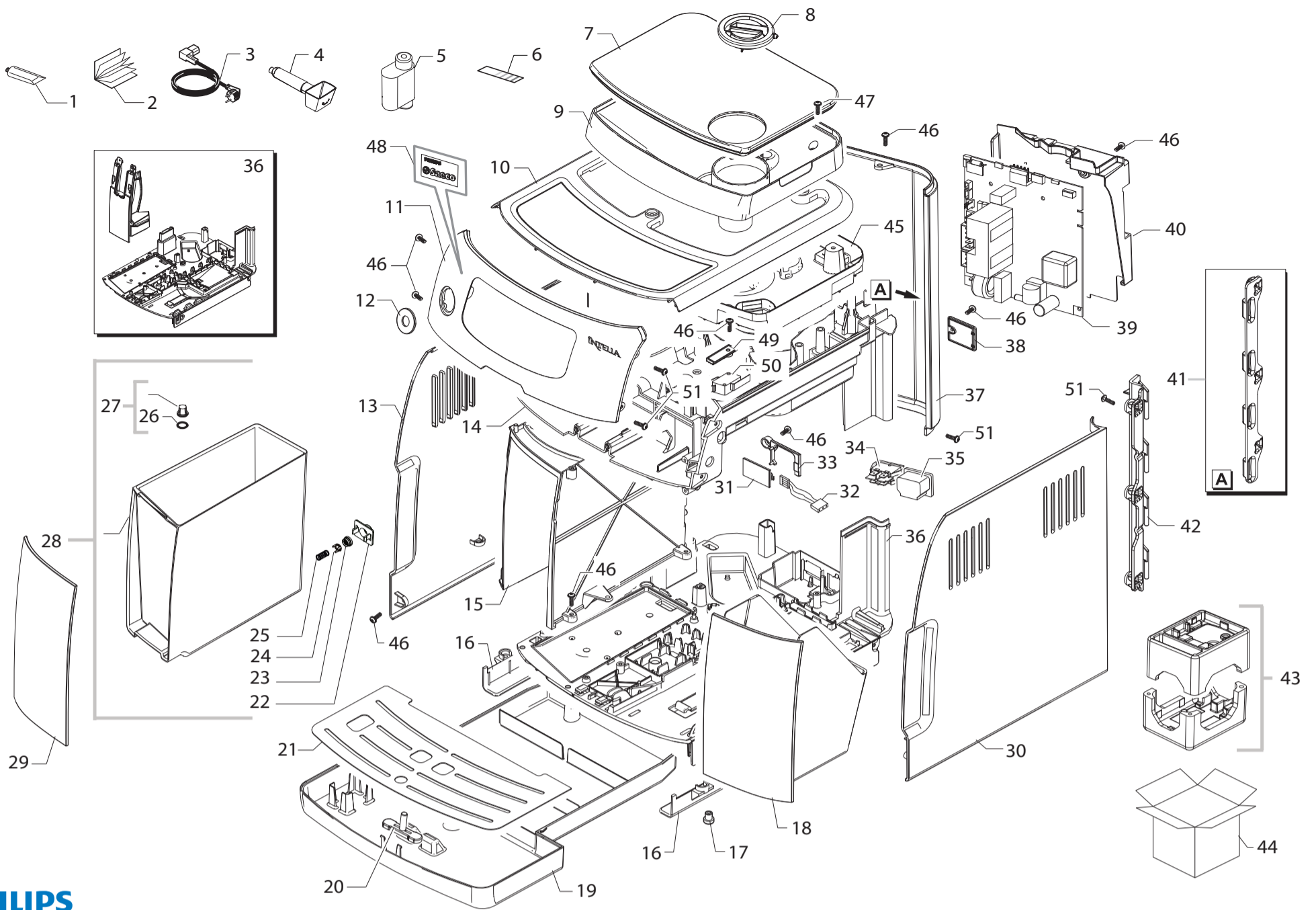
Exploded View

Contents

Table

External / Electronical components	1/5
Front panel / User interface	2/5
Water system	3/5
Coffee grinder assembly	4/5
Gear motor / Brewing unit	5/5

All rights reserved. No part of this publication may be reproduced, stored in a retrieval system or transmitted, in any form or by any means, electronic, mechanical, photocopying, or otherwise without the prior permission of Saeco.



PHILIPS

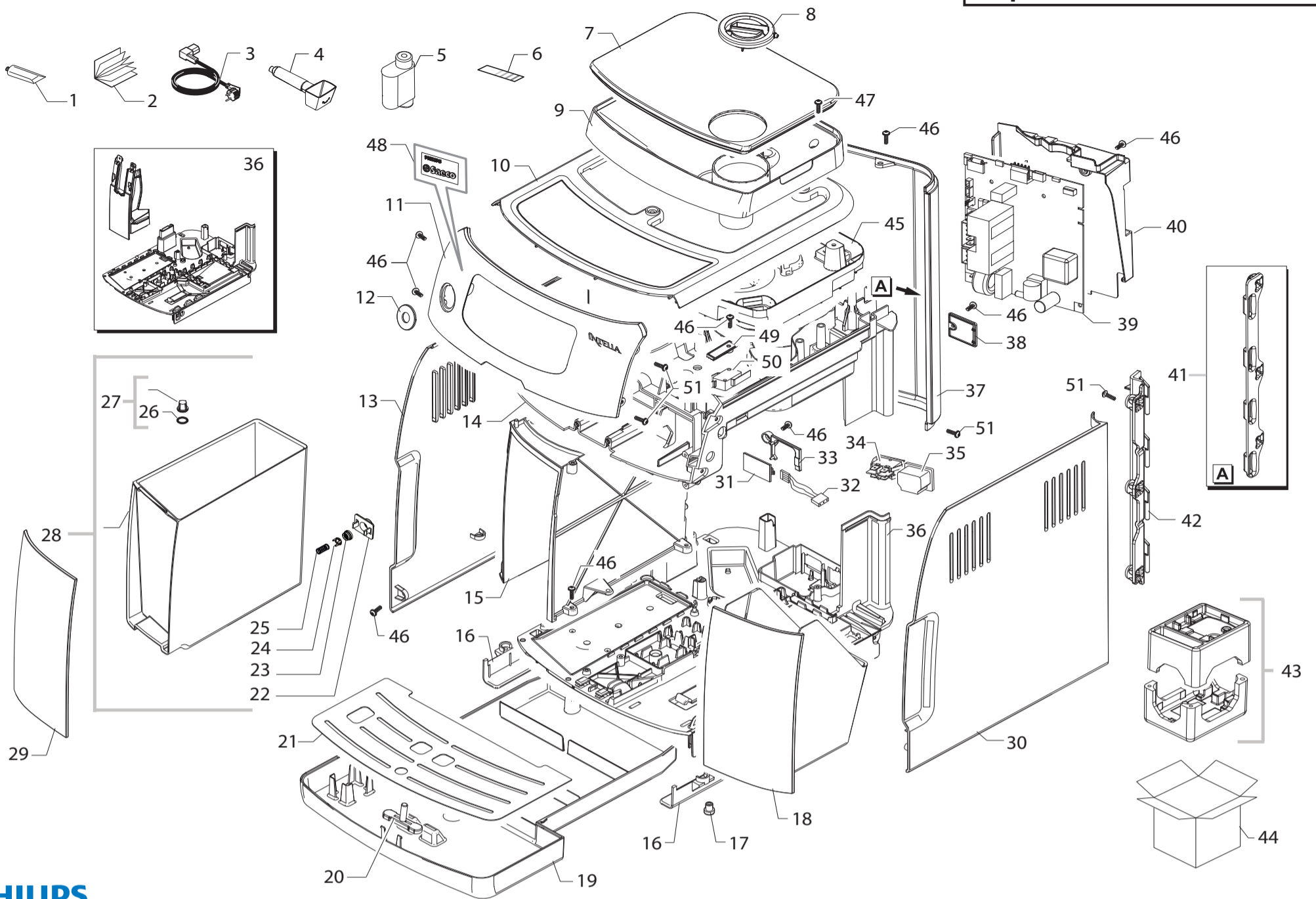
Saeco

HD8751/04-06-11-12-15-23-19-41-43-47-88
HD8752/05-22-23-25-41-49-61-83-87-89



Cod.10003844-45-46-49-60-61-10003935-36-37-86
Cod.10004055-56-57-58-59-10004101-02-03-04-15-10004232

POS	CODE	DESCRIPTION	NOTE	POS	CODE	DESCRIPTION	NOTE
01	11028379	PSA KLUBER TRIBOSTAR SIL 2 TUBE 5GR.					
02	15002876	MANUAL PSA HD8751 NPR/P IT					
	15002877	MANUAL PSA HD8751 NPR/P GB					
	15002878	MANUAL PSA HD8751 NPR/P DE					
	15002879	MANUAL PSA HD8751 NPR/P FR					
	15002880	MANUAL PSA HD8751 NPR/P ES					
	15002881	MANUAL PSA HD8751 NPR/P PT					
	15002882	MANUAL PSA HD8751 NPR/P NL					
	15002883	MANUAL PSA HD8751 NPR/P GR					
	15002884	MANUAL PSA HD8751 NPR/P DA					
	15002885	MANUAL PSA HD8751 NPR/P SV					
	15002886	MANUAL PSA HD8751 NPR/P FI					
	15002900	MANUAL PSA HD8751 NPR/P PL					
	15002901	MANUAL PSA HD8751 NPR/P RU					
	15002902	MANUAL PSA HD8751 NPR/P HU					
	15002903	MANUAL PSA HD8751 NPR/P CS					
	15002904	MANUAL PSA HD8751 NPR/P SK					
	15002905	MANUAL PSA HD8751 NPR/P UA					
	15002906	MANUAL PSA HD8751 NPR/P SL					
	15002907	MANUAL PSA HD8751 NPR/P RO					
	15002908	MANUAL PSA HD8751 NPR/P CR					
	15002909	MANUAL PSA HD8751 NPR/P BG					
	15002910	MANUAL PSA HD8751 NPR/P SR					
	15002930	MANUAL PSA HD8752 NPR/H IT					
	15002931	MANUAL PSA HD8752 NPR/H GB					
	15002932	MANUAL PSA HD8752 NPR/H DE					
	15002933	MANUAL PSA HD8752 NPR/H FR					
	15002934	MANUAL PSA HD8752 NPR/H ES					
	15002935	MANUAL PSA HD8752 NPR/H PT					
	15002936	MANUAL PSA HD8752 NPR/H NL					
	15002937	MANUAL PSA HD8752 NPR/H SV					
	15002938	MANUAL PSA HD8752 NPR/H NO					
	15002887	MANUAL PSA HD8751 NPR/P NO					
	15002939	MANUAL PSA HD8752 NPR/H FI					
	15002940	MANUAL PSA HD8752 NPR/H DA					
	15002941	MANUAL PSA HD8752 NPR/H GR					
	15002942	MANUAL PSA HD8752 NPR/H PL					
	15002943	MANUAL PSA HD8752 NPR/H RU					
	15002944	MANUAL PSA HD8752 NPR/H HU					
	15002945	MANUAL PSA HD8752 NPR/H CS					
	15002946	MANUAL PSA HD8752 NPR/H SK					
	15002947	MANUAL PSA HD8752 NPR/H UA					
				03	15002948	MANUAL PSA HD8752 NPR/H SL	
					15002949	MANUAL PSA HD8752 NPR/H RO	
					15002950	MANUAL PSA HD8752 NPR/H CR	
					15002951	MANUAL PSA HD8752 NPR/H BG	
					15002952	MANUAL PSA HD8752 NPR/H SR	
					15002987	MANUAL PSA HD8751 NPR/P CHN	
					15002989	MANUAL PSA HD8752 NPR/H CHN	
					15003072	MANUAL PSA HD8751 NPR/P TWN	
					15003073	MANUAL PSA HD8751 NPR/P KOR	
					15003074	MANUAL PSA HD8751 NPR/P PT/BRA	
					15003114	MANUAL PSA HD8751 NPR/P SA	
					183911050	BLACK POWER CABLE SCHUKO L=1200	
					183940650	BLACK POWER CABLE AUSTRALIA L=1200	
					183930650	POWER CABLE CH BLACK 3X1 H05VV-F L=1200	
					11004247	BLACK POWER CABLE RVV 3X1 CHINA L=1200	
					11001985	BLACK POWER CABLE KOREA L=1200	
					183970350	BLK POWER CABLE 3X1 H05VV-F UK L=1200MM	
					183921950	POWER CABLE SJT3 USA BLACK UL L=1200	
					11004246	BLACK POWER CABLE TAIWAN HVCTF L=1200	
					17800330	BLACK POWER CABLE BRAZIL L=1200	BRA 120V
					17800019	BLACK POWER CABLE BRAZIL L=1200	BRA 230V
				04	146680850	BLACK COFFEE MEASURE SMART	
				05	21002050	ACC PSA BRITA WATER FILTER 1UNIT	EUR-ASIA
					21002051	ACC PSA MAVEA WATER FILTER 1UNIT	USA-BRAZIL
				06	0301.961	STICKER FOR WATER HARDNESS TEST	
				07	17001245	NAT/GREY BEAN COFFEE CONTAIN.LID NPR/H-T	CLASS / CLASS METAL
					17001470	NAT/GREY BEAN COFFEE CONTAINER LID NPR/P	FOCUS
				08	17001244	NAT/GREY GROUND COFFEE HOPPER LID NPR	
				09	17001234	NAT/GREY BEAN COFFEE CONTAINER NPR	
				10	20007023	SPARES KIT SS/BLK UPPER CASING COV.NPR/H	CLASS / CLASS METAL
					17001287	BLACK UPPER CASING COVER NPR/P	FOCUS
					11026478	SILVER FRONT PANEL S/SCR.NPR/H-P	CLASS
					11026295	BLACK FRONT PANEL S/SCR.NPR/H-P	FOCUS
					11028560	SS FRONT PANEL S/SCR.NPR/H MASSY.	CLASS METAL
				12	11026290	CHROM.FRONT PANEL CAP NPR/H-P	CLASS
					11026768	BLACK FRONT PANEL CAP NPR/P	FOCUS
				13	17001299	BLACK LEFT SIDE CASING NPR	
				14	11030130	BLK COFFEE GRINDER SUPP.PLATE V2 NPR/H-P	
				15	17001114	BLACK CASING BOTTOM INSERT NPR	FOCUS - CLASS BLACK
					11027799	GREYCASING BOTTOM INSERT NPR	CLASS BLACK -SILVER
				16	17001110	BLACK DRIP TRAY GUIDE NPR	
				17	147622800	TRANSPARENT SILICONE FOOT	



PHILIPS

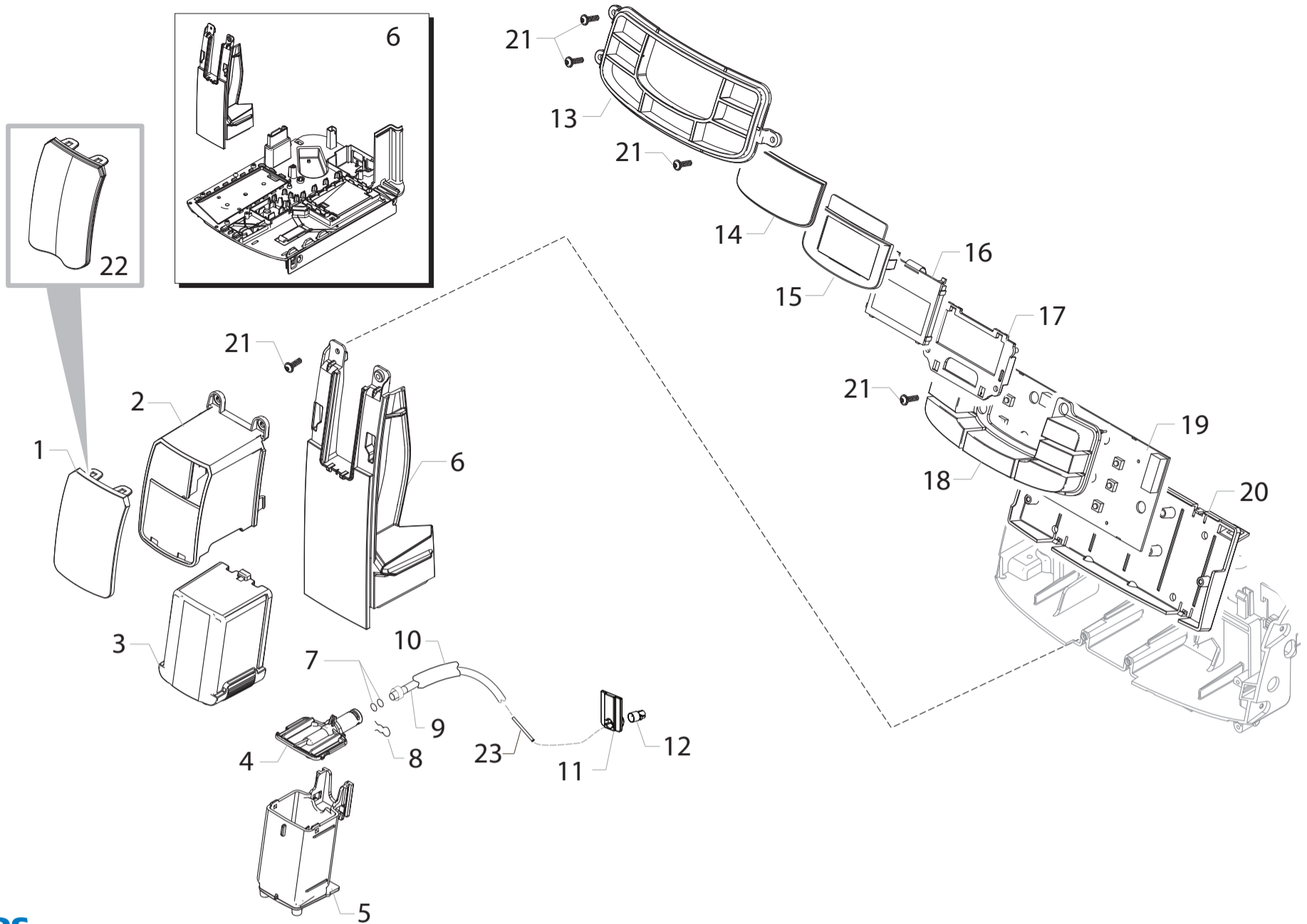
Saeco

HD8751/04-06-11-12-15-23-19-41-43-47-88
HD8752/05-22-23-25-41-49-61-83-87-89



Cod.10003844-45-46-49-60-61-10003935-36-37-86
Cod.10004055-56-57-58-59-10004101-02-03-04-15-10004232

POS	CODE	DESCRIPTION	NOTE	POS	CODE	DESCRIPTION	NOTE
18	11026472	SILVER DUMP BOX NPR/H-P	CLASS	44	13001447	DISPLAY BOX NRP/P PSA INTELIA	FOCUS USA
	17001136	BLACK DUMP BOX NPR/H-P	FOCUS		13001461	DISPL.BOX NRP/HM PSA INTELIA	CLASS METAL WE
	11028562	SS DUMP BOX NPR/HM ASSY.	CLASS METAL		13001462	DISPL.BOX NRP/HM PSA INTELIA	CLASS METAL CEE
19	17001105	BLACK DRIP TRAY NPR/H-P			13001463	DISPL.BOX NRP/HM PSA INTELIA	CLASS METAL USA
20	11013184	RED FLOAT FOR DRIP TRAY XSM		45	17001217	COFFEE GRINDER SOUNDPROOFING COVER NPR	
21	11027821	SS GRATE FOR DRIP TRAY NPR/H		46	12000450	SCREW TCBR TORX 10 3,5X12 PLAST.ZN-N	
	11029600	SB/SS GRATE FOR DRIP TRAY NPR/H	CLASS METAL	47	129914002	SCREW TCB TORX 10 3,5X16 PLAST.ZN-B	
22	11001298	BLACK LID FOR DUCKBILL VALVE P0049		48	11025026	ADHES.SILVER PLATE LOGO PHILIPS-SAECO	
23	11003671	TRANSP.VALVE FOR WATER CONTAINER P0049		49	17000064	BLK CAPACIT.SENSOR DEADLOCK INSERT XSM	
24	11003673	GREY WATER CONTAINER VALVE INSERT P0049		50	NE05.013	MICROSWITCH SAIA XGK52-81-J23	
25	11003672	SS SPRING FOR WATER CONTAIN.VALVE P0049		51	12001728	SCREW TCBR TORX 10 3,5X12 PLAST.SS	
26	140328461	EPDM OR METRIC 0190-10					
27	224640200	WHITE WATER CONTAINER EXT.FILTER ASSY.					
28	11026289	NAT/GREY WATER CONTAINER NPR ASSY.					
29	11026473	SILVER WATER TANK FRONT COVER NPR	CLASS				
	17001120	BLACK WATER TANK FRONT COVER NPR	FOCUS				
	11028561	SS WATER TANK FRONT COVER NPR/HM ASSY.	CLASS METAL				
30	17001330	BLACK RIGHT SIDE DOOR NPR					
31	11003232	AS.CPU+SW WATER CONTAINER SENSOR	230V				
	11000651	WATER LEVEL SENSOR BOARD P124	120V				
32	17800165	3POLES CONNECTOR WATER LEVEL CLP UL					
33	17001179	BLK CAPACIT.SENSOR LOCKING INSERT NPR					
34	NE03.038	BIPOLAR SWITCH FUSIT C1250AR					
35	12000280	CUP SOCKET EN 60320 C 13					
	12001645	CUP SOCKET V2 EN 60320 C 13	120V				
36	20007061	KIT BLK BOTTOM+FRONT CASING COVER V2 NPR	FOCUS				
	20007062	KIT SIL.BOTTOM+FRONT CASING COVER V2 NPR	CLASS				
	17000771	BLACK CASING BOTTOM V2 NPR/H-P	ALL MODELS				
		FROM S/N. TW 901136442240					
37	17001240	BLACK REAR CASING NPR					
38	17001484	BLACK REAR CASING PROGRAM.INSERT NPR					
39	11026009	AS.CPU+SW NPR/H-P	230V				
	11028192	AS.CPU+SW NPR/H-P 120V					
40	11012301	BLACK PWR/CPU BOARD PROTECTION P0057					
41	11012714	BLACK HINGE FOR REAR CASING XSM					
42	11012713	BLACK HINGE FOR DOOR RIGHT SIDE XSM					
43	20007020	KIT PS-E INSERT FOR BOX NPR/H-P					
44	13001354	DISPLAY BOX NRP/H PSA INTELIA	CLASS CEE				
	13001353	DISPLAY BOX NRP/H PSA INTELIA	CLASS WE				
	13001339	DISPLAY BOX NRP/P PSA INTELIA	FOCUS WE				
	13001350	DISPLAY BOX NRP/P PSA INTELIA	FOCUS CEE				



PHILIPS

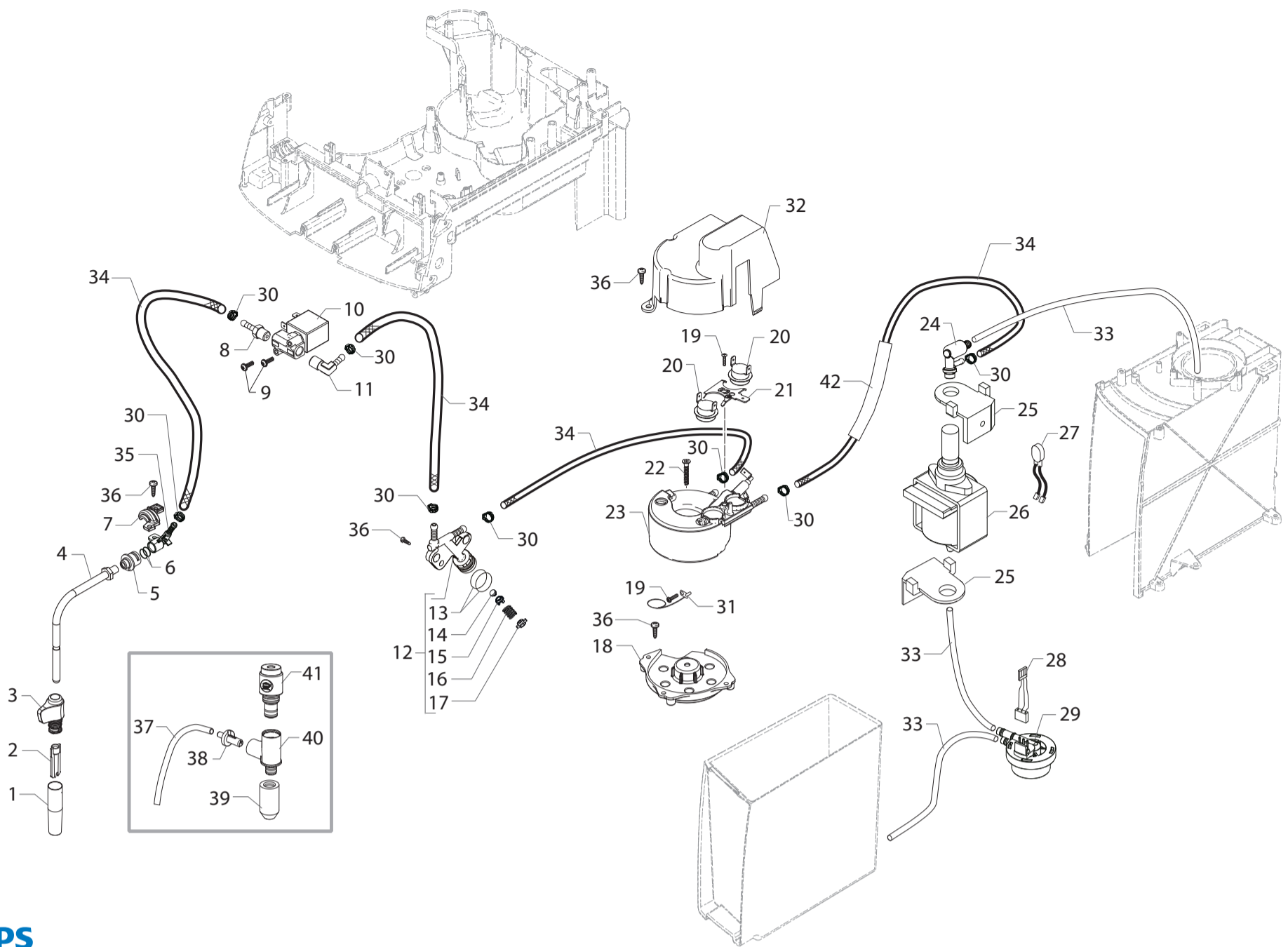
Saeco

HD8751/04-06-11-12-15-23-19-41-43-47-88
HD8752/05-22-23-25-41-49-61-83-87-89



Cod.10003844-45-46-49-60-61-10003935-36-37-86
Cod.10004055-56-57-58-59-10004101-02-03-04-15-10004232

POS	CODE	DESCRIPTION	NOTE	POS	CODE	DESCRIPTION	NOTE
01	11026471	SILVER COF.DISPENSER FRONT PLATE NPR/H-P	CLASS				
	17001236	BLK COFFEE DISPENSER FRONT PLATE NPR/H-P	FOCUS				
02	17001239	BLACK COFFEE DISPENSER LID NPR					
03	17001242	BLACK COFFEE DISPENSER MOBILE PART NPR					
04	17001246	BLACK COFFEE DISPENSER BODY LID NPR					
05	17001894	BLACK COFFEE DISPENSER BODY V2 NPR					
06	20007061	KIT BLK BOTTOM+FRONT CASING COVER V2 NPR	FOCUS				
		UP TO S/N. TW 901136442239					
	20007062	KIT SIL.BOTTOM+FRONT CASING COVER V2 NPR	CLASS				
		UP TO S/N. TW 901136442239					
	17000772	BLACK FRONT CASING COVER V2 NPR	FOCUS				
		FROM S/N. TW 901136442240					
	11027971	SILVER FRONT CASING COVER V2 NPR	CLASS				
		FROM S/N. TW 901136442240					
	11028558	SS FRONT CASING COVER NPR/HM ASSY.	CLASS METAL				
07	140328059	OR 2015 IN SILICONE PTFE/FDA					
08	9011.144	SS FORK FOR TUBE D=4					
09	11004132	TEFLON TUBE 2X4 L=250 MM ASSY.					
10	149361200	BLACK SILICONE TUBE 7,5X9,3	IN ROLL				
11	11005100	PLATE FOR 4X2 TEFLON TUBE P124					
12	11005101	BUSH FOR 4X2 TEFLON TUBE P124					
13	11026781	CHROM.TOUCH PANEL FRAME NPR/H-P	CLASS				
	11026294	SILVER TOUCH PANEL FRAME NPR/H-P	FOCUS				
14	17001112	TRANSP.GLASS FOR DISPLAY NPR					
15	17001111	BLACK DISPLAY FRAME NPR					
16	12001630	GRAPHIC DISPLAY CMG122647Z01ZTW NPR					
17	17001100	BLACK DISPLAY SUPPORT NPR					
18	11026476	SILVER 6BUTTONS TOUCH PANEL S/SCR.NPR/H	CLASS / CLASS METAL				
	11026293	SILVER 6BUTTONS TOUCH PANEL S/SCR.NPR/P	FOCUS				
19	11025830	KYB - INTERFACE NPR/H-T	CLASS / CLASS METAL				
	11025833	KYB - INTERFACE NPR/P	FOCUS				
20	11030078	BLACK DISPLAY KEYBOARD SUPPORT V2 NPR					
21	12000450	SCREW TCBR TORX 10 3,5X12 PLAST.ZN-N					
22	11028589	SS COF.DISPENSER FRONT PLATE NPR/TMASSY	CLASS METAL				
23	17000266	SS.L=22,6MM INT.BUSH FOR TEFLON TUBE D4					



PHILIPS

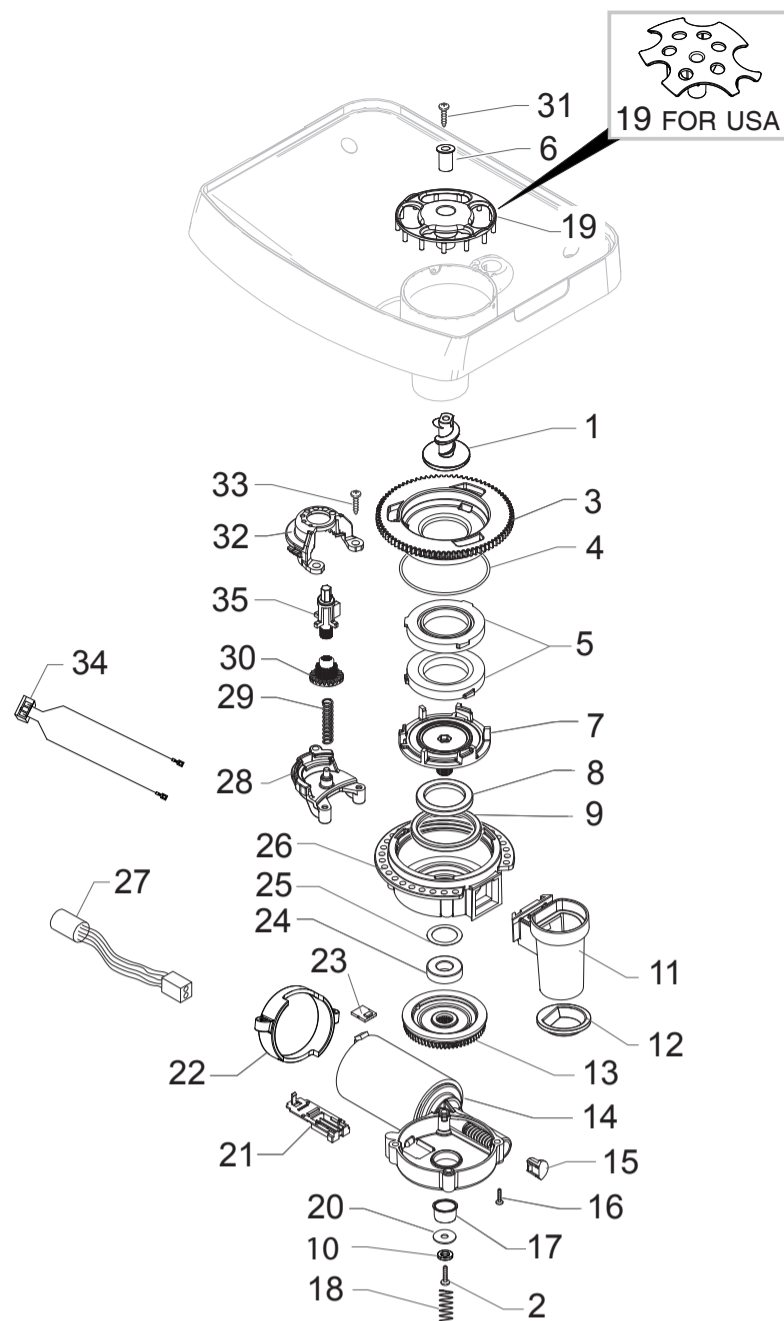
Saeco

HD8751/04-06-11-12-15-23-19-41-43-47-88
HD8752/05-22-23-25-41-49-61-83-87-89



Cod.10003844-45-46-49-60-61-10003935-36-37-86
Cod.10004055-56-57-58-59-10004101-02-03-04-15-10004232

POS	CODE	DESCRIPTION	NOTE	POS	CODE	DESCRIPTION	NOTE
01	11011504	TF/CHROM.PANNARELLO COVER P0049	CLASS / CLASS METAL	38	17001459	BLACK CAPPUCC.MILK TUBE CONNECTOR NPR/H	CLASS / CLASS METAL
	11001769	BLACK PANNARELLO COVER P0049	FOCUS	39	20007021	SPARES KIT SS/BLK CAPP.LOWER PART NPR/H	CLASS / CLASS METAL COMPLETE
02	11001620	BLACK PANNARELLO INNER TUBE P0049		40	20007022	SPARES KIT SS/BLK CAPP.UPPER PART NPR/H	CLASS / CLASS METAL COMPLETE
03	11007194	BLACK STEAM TUBE HANDGRIP G0053		41	11026707	BLACK STEAM TUBE HANDGRIP S/SCR.NPR/H	CLASS
04	11027861	TF/CHROM.STEAM TUBE D5,4 NPR ASSY.		42	16000540	TRANSPAR.10,5X12,3 SILICONE TUBE	IN ROLL
05	11011127	BLACK PA6 BUSH FOR STEAM TUBE P0057			11026286	HP/SLIM TUB.BOILER STD 1900W 230V ASSY.	COMPLETE
06	140324461	OR ORM 0060-20 IN TERMOIL			11026684	SLIM TUB.BOIL.STD C1 T190° 1300W 120V ASSY	COMPLETE
07	11013894	BLACK FORK FOR STEAM TUBE GXSM					
08	11024868	L-F/BRASS CONNECT.FOR ALUM.BOILER					
09	129913202	SCREW TCB TORX 10 3X8 PLAST.ZN-B					
10	11024038	BRASS 2WAY EV 21JN1RRV20-XT+LBV05024CU					
11	11024469	L-F/BRASS CONNECTOR FOR BOILER AURA					
12	17000114	FLOW SELECTOR FAUCET XSMC					
13	12000893	BLACK OR METRIC 0120-20 IN EPDM					
14	11008104	MUSHROOM VALVE FOR FLOW SELECTOR P0057					
15	11008105	FLOW SELECTOR VALVE SUPPORT P0057					
16	11008077	STEEL FLOW SELECTOR VALVE SPRING P0057					
17	11008106	FLOW SELECTOR VALVE CAP P0057					
18	11022791	BLACK SLIM/EXSL TUB.BOILER SUPPORT					
19	12001715	SCREW TCB TORX 20 M4X8 AUTOFORMING ZN-B					
20	12001033	THERMOSTAT ONE SHOT 190°					
21	11001751	TUB.BOILER V3 UPPER THERMOSTATES SPRING					
22	12001280	SCREW TSP TORX 10 5X20 PLAST.ZN-B					
23	17000346	HP/SLIM TUB.BOILER ASSY.	230V-1900W				
	11023153	SLIM TUB.BOILER ASSY.	1300W 120V				
24	11004689	TEA/BRASS SAFETY VALVE 16-18 BAR ASSY.					
25	149205850	BLACK PUMP SUPPORT TYPE ULKA					
26	12000140	ULKA PUMP EP5/S GW	230V-50HZ				
	12000182	ULKA PUMP EP5/S GW	220V-60HZ				
	12000142	ULKA PUMP EAP5/S	120V-60HZ				
27	17800230	2POLES CONNECTOR PUMP CLP UL					
28	17800229	3POLES CONNECTOR FLOWMETER CLP UL					
29	NV99.099	TURBINE D=1,2 932-8521/00 ASSY.					
30	12000892	OETIKER CLAMP D=9,5 16700004					
31	190800100	TEMPERATURE SENSOR NTC UL L=280MM					
32	17001440	BLK BOILER INSULATING COVER NPR					
33	JS01.022	SILICONE TUBE 5X10 60SH	IN ROLL				
34	16000380	5X8,9 SILICONE TUBE	IN ROLL				
35	11005757	STEAM TUBE SUPPORT P0057					
36	12000450	SCREW TCB TORX 10 3,5X12 PLAST.ZN-N					
37	229363500	SILICONE TUBE 3,5X6 L=400 MM					



PHILIPS

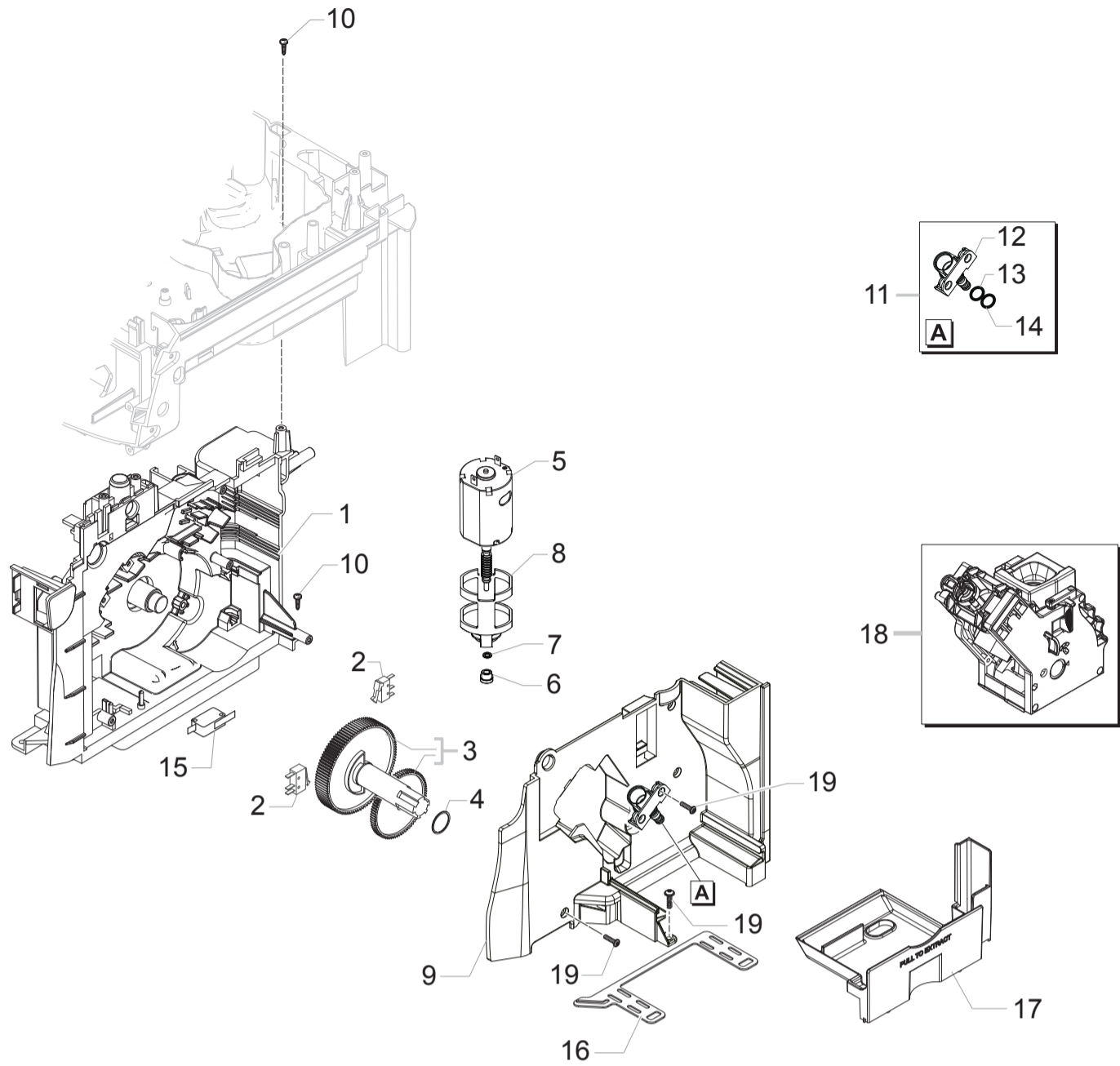
Saeco

HD8751/04-06-11-12-15-23-19-41-43-47-88
 HD8752/05-22-23-25-41-49-61-83-87-89



Cod.10003844-45-46-49-60-61-10003935-36-37-86
 Cod.10004055-56-57-58-59-10004101-02-03-04-15-10004232

POS	CODE	DESCRIPTION	NOTE	POS	CODE	DESCRIPTION	NOTE
01	11010031	TEA/ZAMA INCREASE SCREW GRINDER					
	11024208	TEA SHORT ZAMA INCREASE SCREW GRINDER	ONLY USA				
02	129574802	SCREW TCB TORX 20 M4X30 ZN-B					
03	149198250	BLK UPPER COFFEEGRINDER GRINDER SUPPORT					
04	140328960	NBR FDA OR METRIC 0530-15					
05	146520100	BAKED CLAY GRINDER 48X28					
06	11012466	BRASS BUSH BEAN CONT.FINGER PROTEC.P0057					
07	149198350	BLK LOWER COFFEEGRINDER GRINDER SUPPORT					
08	123030300	AXIAL BEARING EKKO 342.35252					
09	140360500	FELT RING 45,4X39,4X4					
10	128310402	GALV.WASHER UNI 8842 A4					
11	11026355	BLK GROUND COFF.OUTLET CONVEYOR V4 ASSY.					
12	145854462	BLK GROUND COFFEE CONT.LOWER SEAL SMART1					
13	226000300	GEAR SX Z=38 FOR GRINDER MOTION ASSY.					
14	11000513	MOTOR COFFEEGRINDER V3.1 ASSY.	230V				
	11000511	MOTOR COFFEEGRINDER V3.1 ASSY.	120V				
15	149214800	MC V3 MOD=1,25 WORM SCREW CENTRING CAP					
16	129661702	SCREW TCB TORX 3,5X30 PLAST.ZN-B					
17	11002873	INSULATOR BUSH FOR GRINDER MOTOR P124					
18	11000597	COFFEE GRINDER SUPPORT SPRING P124					
19	11014285	BLK V2 BEAN CONTAIN.FINGER PROTECT.P0057					
	17001333	TRANS.BEAN CONTAIN.FINGER PROTECT.NPR	FOR USA				
20	128381902	STEEL FLAT WASHER DI=4,3 DE=14 SP=1,5					
21	149199050	BLK SENSOR SUPPORT FOR COF.GRINDER MOTOR					
22	11000194	BLACK COFFEEGRINDER MOTOR SUPPORT P124					
23	181540900	ELECTR.BOARD WITH SENSOR HAL506 SF-K					
24	123030200	RADIAL BEARING 61900.2RS1					
25	128381800	STEEL CRINKLE WASHER 21,8X14X0,25					
26	142905450	BLK UPPER BODY WITH COFFEE GROUND OUTLET					
27	17800302	3POLES CONNECTOR MC SENSOR NPR UL					
28	11002613	LOWER COFFEEGRINDER GEAR SUPPORT P124					
29	11002572	COFFEEGRINDER REGULATION SPRING P124					
30	11003784	COFFEE GRINDING ADJUSTMENT GEAR P0049					
31	U043.004	ZN-B TCB SCREW M4X16					
32	11002508	UPPER COFFEEGRINDER GEAR SUPPORT P124					
33	129914002	SCREW TCB TORX 10 3,5X16 PLAST.ZN-B					
34	17800301	2POLES CONNET.COFFEEGRINDER MOTOR NPR UL					
35	11003446	BLACK BEAN COFFEE GRINDER INSERT P0049					
	11026298	GEN.MOTOR COFFEE GRINDER NPR ASSY.	230V				
	11029730	GEN.MOTOR COFF.GRINDER NPR ASSY.	120V UL				
	11028279	GEN.MOTOR COFFEE GRINDER NPR ASSY.	120V BRA-TW				



PHILIPS

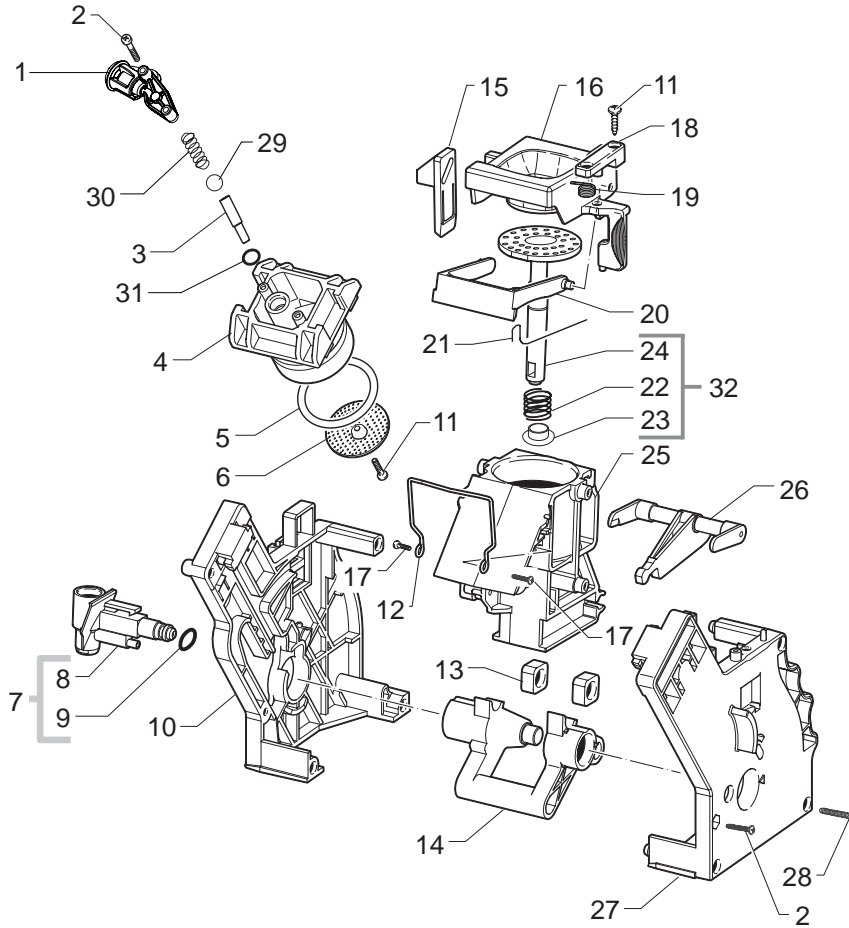
Saeco

HD8751/04-06-11-12-15-23-19-41-43-47-88
HD8752/05-22-23-25-41-49-61-83-87-89



Cod.10003844-45-46-49-60-61-10003935-36-37-86
Cod.10004055-56-57-58-59-10004101-02-03-04-15-10004232

POS	CODE	DESCRIPTION	NOTE	POS	CODE	DESCRIPTION	NOTE
01	17000366	BLK RATIOMOTOR MOUNTING PLATE XSMCASSY.					
02	NE05.038	MICROSWITCH					
03	20000900	SPARES KIT GEARS FOR RATIOMOTOR V2					
04	9161.132	MYLAR WASHER FOR RATIOMOTOR					
05	11005214	MOTOR FOR RATIOMOTOR P124 ASSY.					
06	9121.046	BRONZE SINTERED BUSH FOR MOTOR RATIOMOT.					
07	148380200	BAKELIZZATE WASHER D=5,5					
08	9121.044	ANTIVIBRATION FOR MOTOR					
09	11003754	BLK RATIOMOT.MOUNTING PLATE COVER P0057					
10	12000450	SCREW TCBR TORX 10 3,5X12 PLAST.ZN-N					
11	11013531	PIN FOR FLOW SELECTOR FAUCET P0057 ASSY.					
12	11013530	PIN FOR FLOW SELECTOR FAUCET V2 P0057					
13	NM01.035	OR ORM 0090-20 SILICONE					
14	NM01.057	OR ORM 0050-20 IN SILICONE					
15	NE05.013	MICROSWITCH SAIA XGK52-81-J23					
16	11013205	BLACK SEAL FOR RATIOMOTOR PLATE XSM					
17	17001336	GREY BREW UNIT DRAWER COFFEE NPR					
18	11012382	BLACK BREW UNIT 8GR.5BAR P0057					
		SEE EXPL.CODE E90067 NEXT PAGE					
19	12001728	SCREW TCBR TORX 10 3,5X12 PLAST.SS					



POS	CODE	DESCRIPTION	NOTE	POS	CODE	DESCRIPTION	NOTE
01	11009362	BLACK COFFEE OUTLET SLEEVE S0053 ASSY.					
02	12000550	SCREW TCB TORX 10 3X25 PLAST.SS					
03	11009276	TUBE FOR COUNTER PISTON BREW UNIT S0053					
04	11001840	BLACK COUNTER PISTON BREW UNIT 8GR.P124					
05	NM01.044	OR ORM 0320-40 SILICONE PTFE/FDA					
06	9161.268	PERCOLATOR DE=35,8 ELFO					
07	20000440	BLACK SPARE SLEEVE UNIT					
08	9161.064.050	BLACK WATER INLET SLEEVE BREW UNIT					
09	NM02.007	OR 2025 TERMOIL					
10	9161.375.050	BLACK REAR PLATE FOR BREW UNIT SMART					
11	12000895	SCREW TSP TORX 10 3X10 PLAST.SS					
12	11001556	SPRING H=49 FOR COFFEE BREW UNIT SMART					
13	9161.094.150	GREY DRILLED BLOCK BREW UNIT					
14	9161.066.050	ELBOW SHAFT FOR UNIT BLACK					
15	9161.373.050	BLACK COUPLING PLATE BREW UNIT SMART					
16	149261350	BLACK HOPPER DOSER BREW UNIT SMART1					
17	129912521	SCREW TCB TORX 10 3,5X14 PLAST.SS					
18	9161.374.050	BLACK HOPPER BLOCKING PLATE UNIT SMART					
19	9161.378	SPRING HOPPER SMART BREW UNIT					
20	11004161	BLACK SCRAPER FOR COFFEE UNIT					
21	9161.046	SPRING FOR UNIT SCRAPER					
22	9161.198	PISTON SPRING BREW UNIT M5000					
23	9161.191	NEUTRAL PISTON BUSH BREW UNIT M5000					
24	11003077	BLACK INTEGRAL PISTON UNIT P124 8GR.ASS					
25	11003075	BLACK COFFEE CONTAINER BREW UNIT P124	WITH PART. N° 12				
26	11003078	BLACK CONNECTING ROD FOR UNIT P124 8GR.					
27	11005920	BLACK FRONT PLATE BREW UNIT SMART S.SCR.					
28	12000897	SCREW TCB TORX 10 3,5X20 PLAST.SS					
29	9991.168	GLASS SPHERE D.5MM					
30	11012095	SPRING FOR COUNTERPISTON UNIT S0053					
31	140328761	OR METRIC 0060-15 IN TERMOIL					
32	11023086	BLK 8GR.BREW UNIT NTEGR.PISTON GEN.ASSY.					
	11012382	BLACK BREW UNIT 8 GR.5 BAR S0053					