

Service
Service
Service



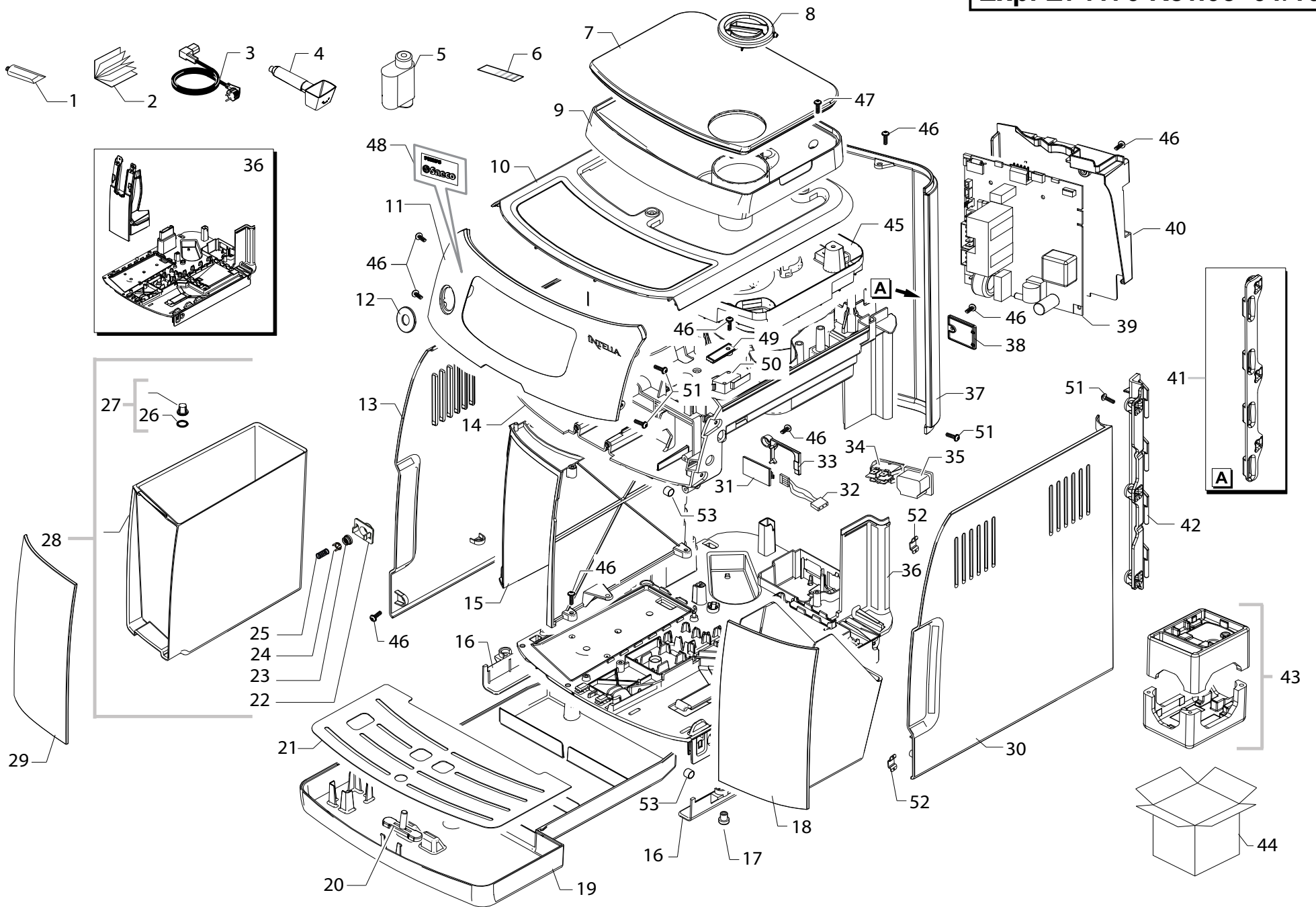
Exploded View

Contents

Table

External / Electronical components	1/5
Front panel / User interface	2/5
Water system	3/5
Coffee grinder assembly	4/5
Gear motor / Brewing unit	5/5

All rights reserved. No part of this publication may be reproduced, stored in a retrieval system or transmitted, in any form or by any means, electronic, mechanical, photocopying, or otherwise without the prior permission of Saeco.



PHILIPS

Saeco

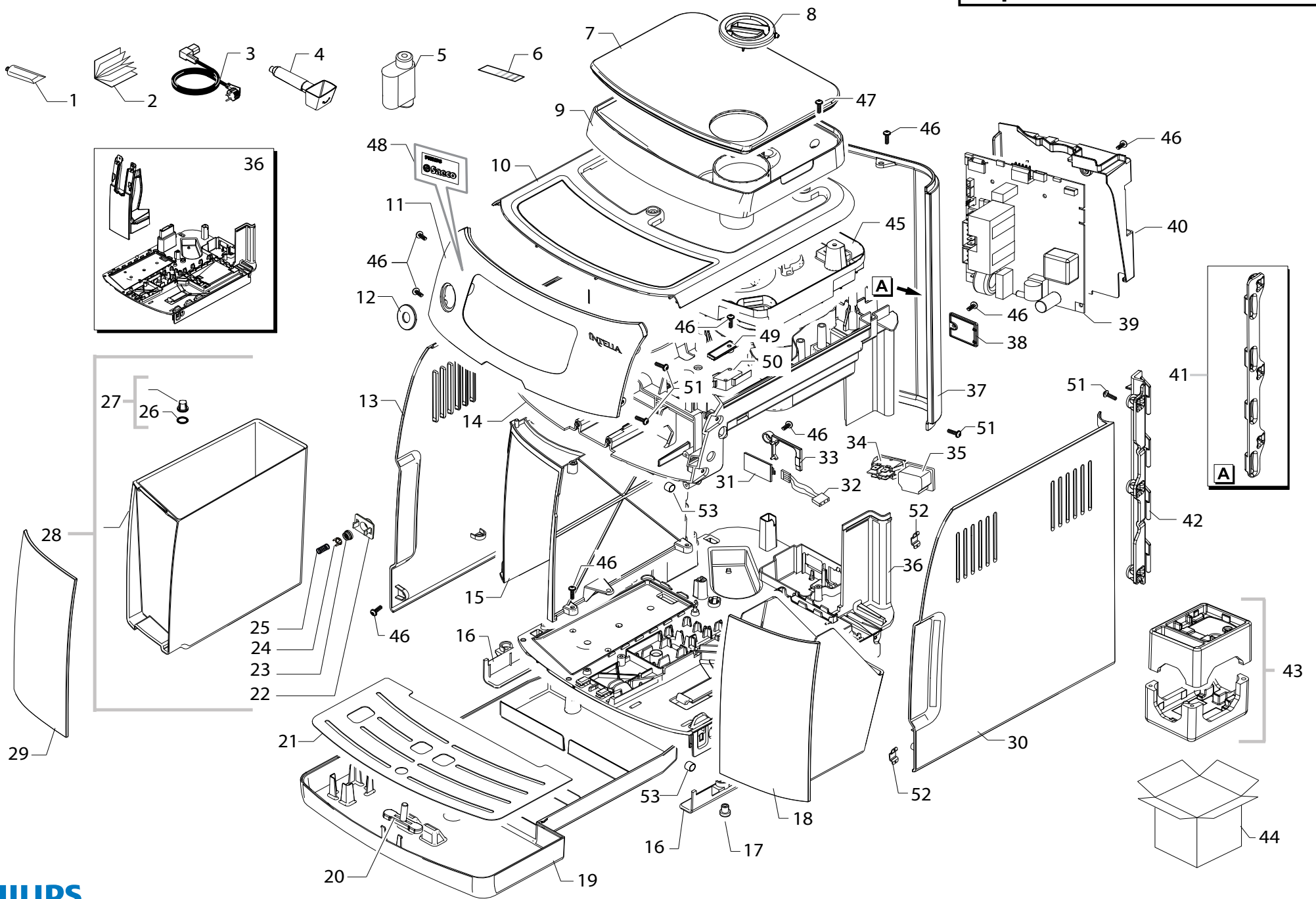
HD8751/04-06-11-12-15-23-19-41-43-47-88
HD8752/05-22-23-25-41-49-61-83-87-89



Cod.10003844-45-46-49-60-61-10003935-36-37-86

Cod.10004055-56-57-58-59-10004101-02-03-04-15-10004232

POS	CODE	12NC	DESCRIPTION	NOTE	POS	CODE	12NC	DESCRIPTION	NOTE
01	11028379	996530070318	PSA KLUBER TRIBOSTAR SIL 2 TUBE 5GR.						
02	15002876	996530068724	MANUAL PSA HD8751 NPR/P IT			15002951	996530071959	MANUAL PSA HD8752 NPR/H BG	
	15002877	996530068713	MANUAL PSA HD8751 NPR/P GB			15002952	996530071961	MANUAL PSA HD8752 NPR/H SR	
	15002878	996530068741	MANUAL PSA HD8751 NPR/P DE			15002987	996530070364	MANUAL PSA HD8751 NPR/P CHN	
	15002879	996530068734	MANUAL PSA HD8751 NPR/P FR			15002989	996530071975	MANUAL PSA HD8752 NPR/H CHN	
	15002880	996530068746	MANUAL PSA HD8751 NPR/P ES			15003072	996530070362	MANUAL PSA HD8751 NPR/P TWN	
	15002881	996530068709	MANUAL PSA HD8751 NPR/P PT			15003073	996530070356	MANUAL PSA HD8751 NPR/P KOR	
	15002882	996530068705	MANUAL PSA HD8751 NPR/P NL			15003074	996530072425	MANUAL PSA HD8751 NPR/P PT/BRA	
	15002883	996530068725	MANUAL PSA HD8751 NPR/P GR			15003114	996530070358	MANUAL PSA HD8751 NPR/P SA	
	15002884	996530068719	MANUAL PSA HD8751 NPR/P DA		03	183911050	996530025808	BLACK POWER CABLE SCHUKO L=1200	
	15002885	996530068687	MANUAL PSA HD8751 NPR/P SV			183940650	996530025872	BLACK POWER CABLE AUSTRALIA L=1200	
	15002886	996530068702	MANUAL PSA HD8751 NPR/P FI			183930650	996530025858	POWER CABLE CH BLACK 3X1 H05VV-F L=1200	
	15002887	996530068722	MANUAL PSA HD8751 NPR/P NO			11004247	996530002167	BLACK POWER CABLE RVV 3X1 CHINA L=1200	
	15002900	996530072428	MANUAL PSA HD8751 NPR/P PL			11001985	996530001089	BLACK POWER CABLE KOREA L=1200	
	15002901	996530072413	MANUAL PSA HD8751 NPR/P RU			183970350	996530025882	BLACK POWER CABLE UK L=1200	
	15002902	996530072427	MANUAL PSA HD8751 NPR/P HU			183921950	996530025843	POWER CABLE SJT3 USA BLACK UL L=1200	
	15002903	996530072412	MANUAL PSA HD8751 NPR/P CS			11004246	996530002166	BLACK POWER CABLE TAIWAN HVCTF L=1200	
	15002904	996530072422	MANUAL PSA HD8751 NPR/P SK			17800330	996530069926	BLACK POWER CABLE BRAZIL L=1200	BRA 120V
	15002905	996530072416	MANUAL PSA HD8751 NPR/P UA			17800019	996530009627	BLACK POWER CABLE BRAZIL L=1200	BRA 230V
	15002906	996530072429	MANUAL PSA HD8751 NPR/P SL		04	146680850	996530016529	BLACK COFFEE MEASURE SMART	
	15002907	996530072414	MANUAL PSA HD8751 NPR/P RO		05	21002051	996530071783	ACC PSA MAVEA WATER FILTER 1UNIT	USA BRA
	15002908	996530072424	MANUAL PSA HD8751 NPR/P CR		06	0301.961	996530039604	STICKER FOR WATER HARDNESS TEST	
	15002909	996530072423	MANUAL PSA HD8751 NPR/P BG		07	17001245	996530068681	NAT/GREY BEAN COFFEE CONTAIN.LID NPR/H-T	CLASS-CLASSMET.
	15002910	996530072421	MANUAL PSA HD8751 NPR/P SR			17001470	996530068715	NAT/GREY BEAN COFFEE CONTAINER LID NPR/P	FOCUS
	15002930	996530068691	MANUAL PSA HD8752 NPR/H IT		08	17001244	996530068685	NAT/GREY GROUND COFFEE HOPPER LID NPR	
	15002931	996530068664	MANUAL PSA HD8752 NPR/H GB		09	17001234	996530068743	NAT/GREY BEAN COFFEE CONTAINER NPR	
	15002932	996530068659	MANUAL PSA HD8752 NPR/H DE		10	20007023	996530068677	SPARES KIT SS/BLK UPPER CASING COV.NPR/H	CLASS-CLASSMET.
	15002933	996530068672	MANUAL PSA HD8752 NPR/H FR			11030729	996530072896	BA/SS-MATT/BLK UPP.CASING COV.NPR/H ASSY	CLASS
	15002934	996530068738	MANUAL PSA HD8752 NPR/H ES					FROM S/N . TW901239414584	
	15002935	996530068733	MANUAL PSA HD8752 NPR/H PT			11030769	996530072906	SB/SS-MATT/BLK UPP.CASING COV.NPR/H ASSY	CLASS METAL
	15002936	996530068748	MANUAL PSA HD8752 NPR/H NL					FROM S/N . TW901239414584	
	15002937	996530068744	MANUAL PSA HD8752 NPR/H SV			17001287	996530068703	BLACK UPPER CASING COVER NPR/P	FOCUS
	15002938	996530068704	MANUAL PSA HD8752 NPR/H NO					UP TO S/N . TW901239414583	
	15002939	996530068694	MANUAL PSA HD8752 NPR/H FI			11030619	996530072457	MATT/BLACK UPPER CASING COVER NPR/P	FOCUS
	15002940	996530068688	MANUAL PSA HD8752 NPR/H DA					FROM S/N . TW901239414584	
	15002941	996530068731	MANUAL PSA HD8752 NPR/H GR		11	11026478	996530068756	SILVER FRONT PANEL S/SCR.NPR/H-P	CLASS
	15002942	996530071949	MANUAL PSA HD8752 NPR/H PL					UP TO S/N . TW901239414583	
	15002943	996530071951	MANUAL PSA HD8752 NPR/H RU			11030526	996530072905	SILVER FRONT PANEL S/SCR.NPR/H-P	CLASS
	15002944	996530071952	MANUAL PSA HD8752 NPR/H HU					FROM S/N . TW901239414584	
	15002945	996530071953	MANUAL PSA HD8752 NPR/H CS			11026295	996530068754	BLACK FRONT PANEL S/SCR.NPR/H-P	FOCUS
	15002946	996530071954	MANUAL PSA HD8752 NPR/H SK					UP TO S/N . TW901239414583	
	15002947	996530071955	MANUAL PSA HD8752 NPR/H UA			11030590	996530072885	MATT/BLACK FRONT PANEL S/SCR.NPR/H-P	FOCUS
	15002948	996530071956	MANUAL PSA HD8752 NPR/H SL					FROM S/N . TW901239414584	
	15002949	996530071957	MANUAL PSA HD8752 NPR/H RO			11030230	996530072908	SS FRONT PANEL V2 S/SCR.NPR/HM ASSY.	CLASS METAL
	15002950	996530071958	MANUAL PSA HD8752 NPR/H CR		12	11026290	996530068757	CHROM.FRONT PANEL CAP NPR/H-P	CLASS/CLASSMET.



PHILIPS

Saeco

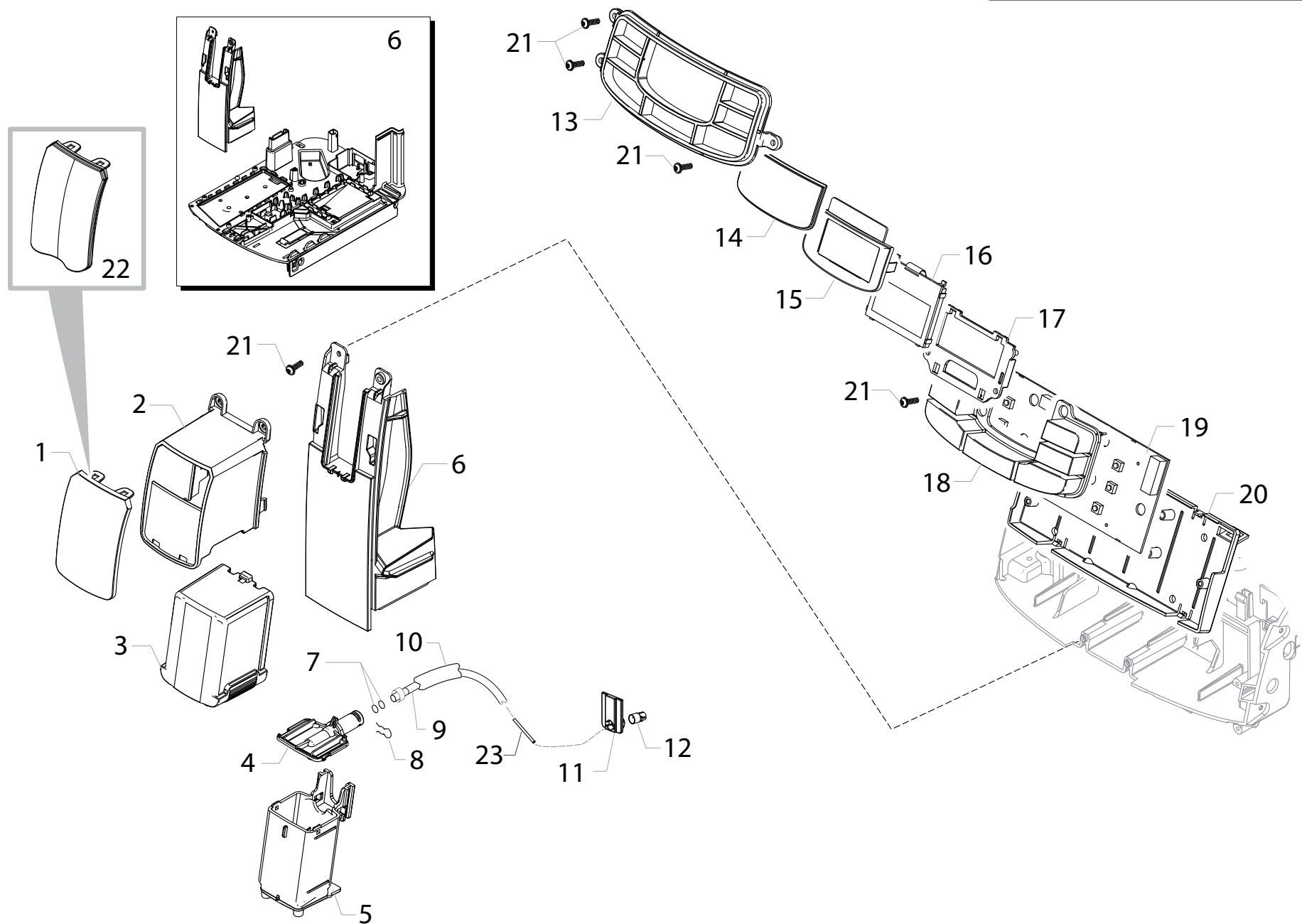
HD8751/04-06-11-12-15-23-19-41-43-47-88
HD8752/05-22-23-25-41-49-61-83-87-89



Cod.10003844-45-46-49-60-61-10003935-36-37-86

Cod.10004055-56-57-58-59-10004101-02-03-04-15-10004232

POS	CODE	12NC	DESCRIPTION	NOTE	POS	CODE	12NC	DESCRIPTION	NOTE
12	11026768	996530068759	BLACK FRONT PANEL CAP NPR/H-P UP TO S/N . TW901239414583	FOCUS	31	11000651	996530000425	WATER LEVEL SENSOR BOARD P124	120V
	11030533	996530072903	MATT/BLACK FRONT PANEL CAP NPR/H-P FROM S/N . TW901239414584	FOCUS	32	17800165	996530068745	3POLES CONNECTOR WATER LEVEL CLP UL	
13	17001299	996530068729	BLACK LEFT SIDE CASING NPR		33	17001179	996530068749	BLK CAPACIT.SENSOR LOCKING INSERT NPR	
14	11030130	996530072415	BLK COFFEE GRINDER SUPP.PLATE V2 NPR/H-P		34	NE03.038	996530058836	BIPOLAR SWITCH FUSIT C1250AR	
15	17001114	996530068752	BLACK CASING BOTTOM INSERT NPR	FOCUS / CL.BLK / CLASS MET	35	12000280	996530007788	CUP SOCKET EN 60320 C 13	
	11027799	996530068712	GREYCASING BOTTOM INSERT NPR	CLASSBLK/SILVER	12001645	996530069782	996530069782	CUP SOCKET V2 EN 60320 C 13	120V
16	17001110	996530068723	BLACK DRIP TRAY GUIDE NPR		20007061	996530070363	996530070363	KIT BLK BOTTOM+FRONT CASING COVER V2 NPR	FOCUS
17	147622800	996530016875	TRANSPARENT SILICONE FOOT		20007062	996530070366	996530070366	KIT SIL.BOTTOM+FRONT CASING COVER V2 NPR	CLASS
18	11026472	996530068718	SILVER DUMP BOX NPR/H-P UP TO S/N . TW901239414583	CLASS	17000771	996530069927	996530069927	BLACK CASING BOTTOM V2 NPR/H-P	ALL MODELS
	11030555	996530072904	SILVER DUMP BOX NPR/H-P FROM S/N . TW901239414584	CLASS	37	17001240	996530068714	BLACK REAR CASING NPR	
	17001136	996530068695	BLACK DUMP BOX NPR/H-P UP TO S/N .TW901239414583	FOCUS	38	17001484	996530068728	BLACK REAR CASING PROGRAM.INSERT NPR	
	11030534	996530072525	MATT/BLACK DUMP BOX NPR/H-P FROM S/N . TW901239414584	FOCUS	39	11026009	996530068707	AS.CPU+SW NPR/H-P	230V
	11028562	996530070355	SS DUMP BOX NPR/HM ASSY.	CLASS METAL	11028192	996530072419	996530072419	AS.CPU+SW NPR/H-P	120V
19	17001105	996530068696	BLACK DRIP TRAY NPR/H-P UP TO S/N .TW901239414583		40	11012301	996530006364	BLACK PWR/CPU BOARD PROTECTION P0057	
	11030489	996530072526	MATT/BLACK DRIP TRAY NPR/H-P FROM S/N . TW901239414584		41	11012714	996530006495	BLACK HINGE FOR REAR CASING XSM	
20	11013184	996530006683	RED FLOAT FOR DRIP TRAY XSM		42	11012713	996530006494	BLACK HINGE FOR DOOR RIGHT SIDE XSM	
21	11027821	996530068683	BA/SS GRATE FOR DRIP TRAY NPR/H		43	20007020	996530068711	KIT PS-E INSERT FOR BOX NPR/H-P	
	11029600	996530070357	SB/SS GRATE FOR DRIP TRAY NPR/H	CLASS METAL	44	13001354	996530068693	DISPLAY BOX NRP/H PSA INTELIA	CLASS CEE
22	11001298	996530000733	BLACK LID FOR DUCKBILL VALVE P0049		13001353	996530068689	996530068689	DISPLAY BOX NRP/H PSA INTELIA	CLASS WE
23	11003671	996530001829	TRANSP.VALVE FOR WATER CONTAINER P0049		13001339	996530067859	996530067859	DISPLAY BOX NPR/P PSA INTELIA	FOCUS WE
24	11003673	996530001832	GREY WATER CONTAINER VALVE INSERT P0049		13001350	996530068686	996530068686	DISPLAY BOX NRP/P PSA INTELIA	FOCUS CEE
25	11003672	996530001831	SS SPRING FOR WATER CONTAIN.VALVE P0049		13001447	996530072426	996530072426	DISPLAY BOX NRP/P PSA INTELIA	FOCUS USA
26	140328461	996530013571	OR ORM 0190-10 EPDM		13001461	996530070359	996530070359	DISPL.BOX NPR/HM PSA INTELIA	CL.MET.WE
27	224640200	996530029115	WHITE WATER CONTAINER EXT.FILTER ASSY.		13001462	996530072417	996530072417	DISPL.BOX NRP/HM PSA INTELIA	CL.MET.CEE
28	11026289	996530068674	NAT/GREY WATER CONTAINER NPR ASSY.		13001463	996530072418	996530072418	DISPL.BOX NRP/HM PSA INTELIA	CL.MET.USA
29	11026473	996530068679	SILVER WATER TANK FRONT COVER NPR UP TO S/N . TW901239414583	CLASS	45	17001217	996530068678	COFFEE GRINDER SOUNDPROOFING COVER NPR	
	11030559	996530072907	SILVER WATER TANK FRONT COVER NPR FROM S/N . TW901239414584	CLASS	46	12000450	996530007819	SCREW TCBR TORX 10 3,5X12 PLAST.ZN-N	
	17001120	996530068661	BLACK WATER TANK FRONT COVER NPR UP TO S/N . TW901239414583	FOCUS	47	129914002	996530013165	SCREW TCB TORX 10 3,5X16 PLAST.ZN-B	
	11030535	996530072456	MATT/BLACK WATER TANK FRONT COVER NPR FROM S/N . TW901239414584	FOCUS	48	11025026	996530068191	ADHES.SILVER PLATE LOGO PHILIPS-SAECO	
	11028561	996530070361	SS WATER TANK FRONT COVER NPR/HM ASSY.	CLASS METAL	49	17000064	996530067437	BLK CAPACIT.SENSOR DEADLOCK INSERT XSM	
30	17000739	996530072473	MATT/BLACK RIGHT SIDE DOOR V2 NPR		50	NE05.013	996530058847	MICROSWITCH SAIA XGK52-81-J23	
31	11003232	996530001522	AS.CPU+SW WATER LEVEL SENSOR V2	230V	51	12001728	996530070321	SCREW TCBR TORX 10 3,5X12 PLAST.SS	
					52	11013220	996530069857	STEEL PLATE FOR DOOR MAGNET XSM	
					53	9161.111	996530050555	MAGNET FOR FLOAT SUPERAUT.	



PHILIPS

Saeco

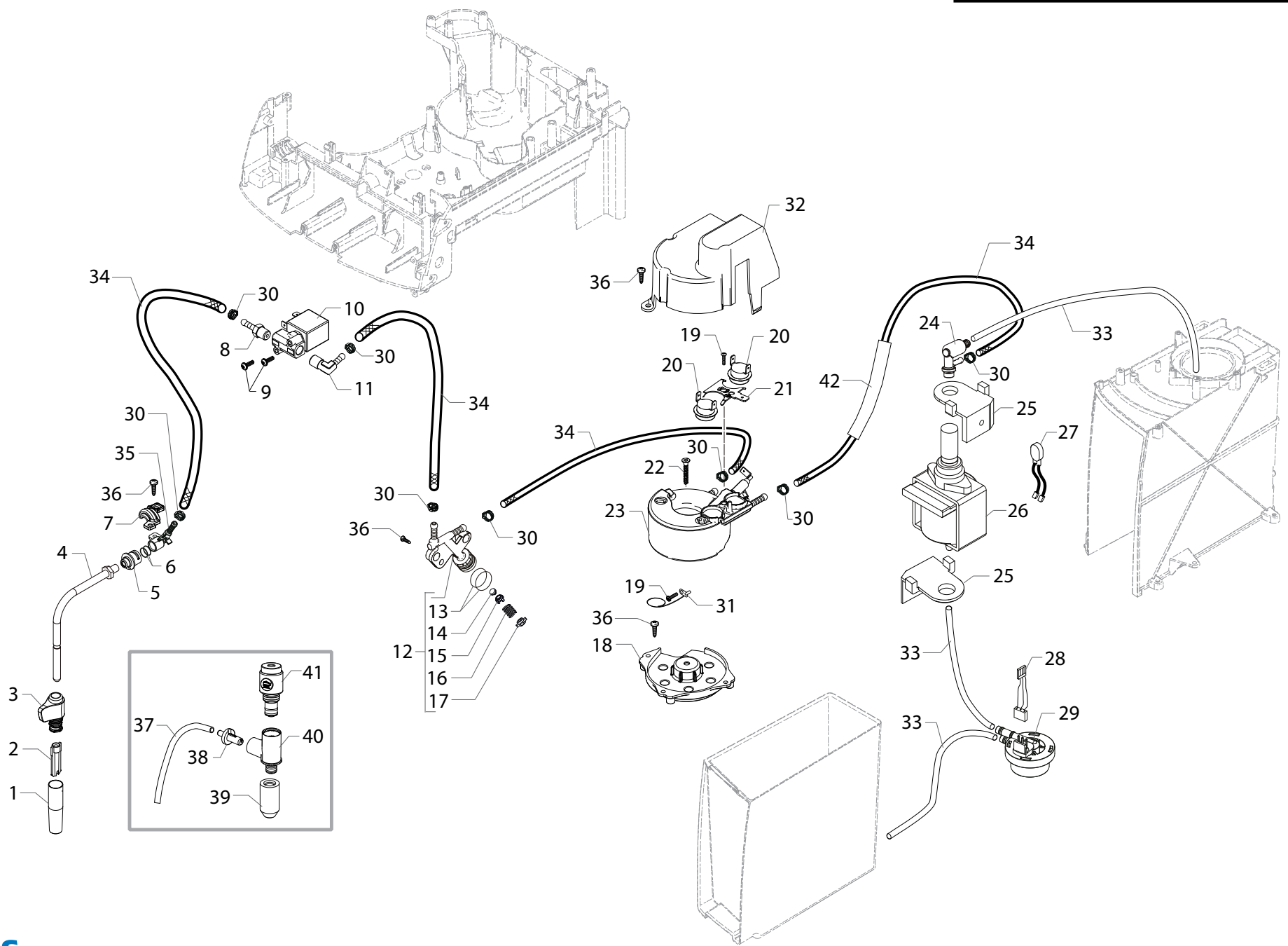
HD8751/04-06-11-12-15-23-19-41-43-47-88
 HD8752/05-22-23-25-41-49-61-83-87-89



Cod.10003844-45-46-49-60-61-10003935-36-37-86

Cod.10004055-56-57-58-59-10004101-02-03-04-15-10004232

POS	CODE	12NC	DESCRIPTION	NOTE	POS	CODE	12NC	DESCRIPTION	NOTE
01	11026471	996530068716	SILVER COF.DISPENSER FRONT PLATE NPR/H-P UP TO S/N . TW901239414583	CLASS	13	11029834	996530072465	CRC TOUCH PANEL FRAME NPR/H-P	CLASS/CLASS.MET
	11030553	996530072911	SILVER COF.DISPENSER FRONT PLATE NPR/H-PS FROM S/N . TW901239414584	CLASS		11026294	996530068758	SILVER TOUCH PANEL FRAME NPR/H-P	FOCUS
	17001236	996530068665	BLK COFFEE DISPENSER FRONT PLATE NPR/H-P UP TO S/N . TW901239414583	FOCUS	14	17001112	996530068675	TRANSP.GLASS FOR DISPLAY NPR	
	11030532	996530072509	MATT/BLK COF.DISPENS.FRONT PLATE NPR/H-P FROM S/N . TW901239414584	FOCUS	15	17001111	996530068673	BLACK DISPLAY FRAME NPR	
02	17001239	996530068699	BLACK COFFEE DISPENSER LID NPR UP TO S/N . TW901239414583		16	12001630	996530068064	GRAPHIC DISPLAY NPR	
	11030531	996530072512	MATT/BLACK COFFEE DISPENSER LID NPR FROM S/N . TW901239414584		17	17001100	996530068682	BLACK DISPLAY SUPPORT NPR	
03	17001242	996530068698	BLACK COFFEE DISPENSER MOBILE PART NPR		18	11026476	996530068755	SIL.6BUTTONS TOUCH PANEL S/S.STEAM NPR/H	CLASS/CLASS.MET
04	17001246	996530068742	BLACK COFFEE DISPENSER BODY LID NPR			11026293	996530068753	SILVER 6BUTTONS TOUCH PANEL S/SCR.NPR/P	FOCUS
05	17001894	996530071881	BLACK COFFEE DISPENSER BODY V2 NPR		19	11025830	996530068721	KYB - INTERFACE NPR/H-T	CLASS/CLASS.MET
06	20007061	996530070363	KIT BLK BOTTOM+FRONT CASING COVER V2 NPR UP TO S/N. TW 901136442239	FOCUS		11025833	996530068666	KYB - INTERFACE NPR/P	FOCUS
	20007062	996530070366	KIT SIL.BOTTOM+FRONT CASING COVER V2 NPR UP TO S/N. TW 901136442239	CLASS	20	11030078	996530071879	BLACK DISPLAY KEYBOARD SUPPORT V2 NPR	
	17000772	996530069789	BLACK FRONT CASING COVER V2 NPR FROM S/N. TW 901136442240 UP TO S/N . TW901239414583	FOCUS	21	12000450	996530007819	SCREW TCBR TORX 10 3,5X12 PLAST.ZN-N	
	11030536	996530072527	MATT/BLACK FRONT CASING COVER V2 NPR FROM S/N . TW901239414584	FOCUS	22	11028589	996530070369	SS COF.DISPENS.FRONT PLATE NPR/HT-TMASS	CLASS METAL
	11027971	996530070367	SILVER FRONT CASING COVER V2 NPR FROM S/N. TW 901136442240 UP TO S/N . TW901239414583	CLASS	23	17000266	996530071774	SS.L=22,6MM INT.BUSH FOR TEFLON TUBE D4	
	11030562	996530072909	SILVER FRONT CASING COVER V2 NPR FROM S/N . TW901239414584	CLASS					
	11028558	996530070368	SS FRONT CASING COVER NPR/HM ASSY.	CLASS METAL					
07	140328059	996530013564	OR 2015 SILICONE PTFE/FDA						
08	9011.144	996530048885	SS FORK FOR TUBE D=4						
09	11004132	996530002073	TEFLON TUBE 2X4 L=250 MM ASSY.						
10	149361200	996530018278	BLACK SILICONE TUBE 7,5X9,3	IN ROLL					
11	11005100	996530002748	PLATE FOR BUSH TEFLON TUBE 2X4 P124						
12	11005101	996530002749	BLACK BUSH FOR TEFLON TUBE 2X4 P124						



PHILIPS

Saeco

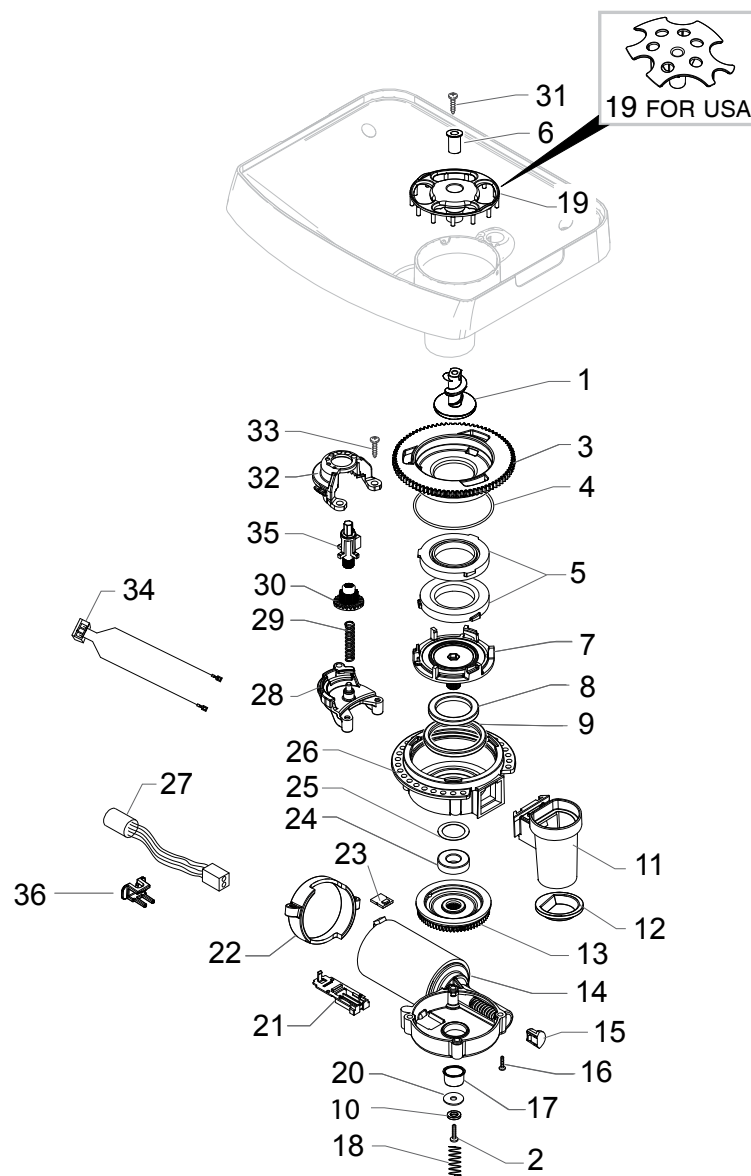
HD8751/04-06-11-12-15-23-19-41-43-47-88
HD8752/05-22-23-25-41-49-61-83-87-89



Cod.10003844-45-46-49-60-61-10003935-36-37-86

Cod.10004055-56-57-58-59-10004101-02-03-04-15-10004232

POS	CODE	12NC	DESCRIPTION	NOTE	POS	CODE	12NC	DESCRIPTION	NOTE
01	11011504	996530006079	TF/CHROM.PANNARELLO COVER P0049	CLASS/CLASS.MET FOCUS	34	16000380	996530009505	5X8,9 SILICONE TUBE	IN ROLL
	11001769	996530001012	BLACK PANNARELLO COVER P0049		35	11005757	996530003103	STEAM TUBE SUPPORT P0057	
02	11001620	996530000925	BLACK PANNARELLO INNER TUBE P0049		36	12000450	996530007819	SCREW TCB TORX 10 3,5X12 PLAST.ZN-N	
03	11007194	996530004127	BLACK STEAM TUBE HANDGRIP G0053		37	229363500	996530031599	SILICONE TUBE 3,5X6 L=400 MM	
04	11027861	996530068662	TF/CHROM.STEAM TUBE D=5,4 NPR ASSY.		38	17001459	996530068727	BLK CAP.MILK TUBE CONNECT.D=1,05 NPR/H	CLASS/CLASS.MET
05	11011127	996530005979	BLACK PA6 BUSH FOR STEAM TUBE P0057		39	20007021	996530068684	SPARES KIT SS/BLK CAPP.LOWER PART NPR/H	CLASS/CLASS.MET
06	140324461	996530013509	OR ORM 0060-20 TERMOIL		40	20007022	996530068692	SPARES KIT SS/BLK CAPP.UPPER PART NPR/H	CLASS/CLASS.MET
07	11013894	996530006914	BLACK FORK FOR STEAM TUBE GXSM		41	11026707	996530068055	BLACK STEAM TUBE HANDGRIP S/SCR.NPR/H	CLASS
08	11024868	996530070371	L-F/BRASS CONNECT.FOR ALUM.BOILER		42	16000540	996530009523	TRANSPAR.10,5X12,3 SILICONE TUBE	IN ROLL
09	129913202	996530013156	SCREW TCB TORX 10 3X8 PLAST.ZN-B			11026286	996530068717	HP/SLIM TUB.BOILER STD 1900W 230V ASSY.	COMPLETE
10	11024038	996530067667	BRASS 2WAY EV 21JN1RRV20-XT+LBV05024CU			11026684	996530069761	SLIM TUB.BOIL.STD C1 T190° 1300W 120V AS	COMPLETE
11	11024469	996530067632	L-F/BRASS CONNECTOR FOR BOILER AURA					WITH PART.N°19 - 20 - 21 - 23 - 31	
12	17000114	996530068077	FLOW SELECTOR FAUCET NPR					WITH PART.N°19 - 20 - 21 - 23 - 31	
13	12000893	996530007948	OR ORM 0120-20 BLACK EPDM						
14	11008104	996530004722	MUSHROOM VALVE FOR FLOW SELECTOR P0057						
15	11008105	996530004723	FLOW SELECTOR VALVE SUPPORT P0057						
16	11008077	996530004709	STEEL FLOW SELECTOR VALVE SPRING P0057						
17	11008106	996530004724	FLOW SELECTOR VALVE CAP P0057						
18	11022791	996530007442	BLACK SLIM/EXSL TUB.BOILER SUPPORT						
19	12001715	996530069758	SCREW TCB TORX 20 M4X8 AUTOFORMING ZN-B						
20	12001033	996530007973	THERMOSTAT ONE SHOT 190°						
21	11001751	996530000997	TUB.BOILER V3 UPPER THERM.FIXING SPRING						
22	12001280	996530008024	SCREW TSP TORX 10 5X20 PLAST.ZN-B						
23	17000346	996530068751	HP/SLIM TUB.BOILER ASSY.	1900W 230V					
	11023153	996530007586	SLIM TUB.BOILER ASSY.	1300W 120V					
24	11004689	996530002484	TEA/BRASS SAFETY VALVE 16-18 BAR ASSY.						
25	149205850	996530018056	BLACK TYPE ULKA PUMP W/BEVEL SUPPORT						
26	12000140	996530007753	ULKA PUMP EP5/S GW	230V-50HZ					
	12000182	996530007782	ULKA PUMP EP5/S GW	220V-60HZ					
	12000142	996530007754	ULKA PUMP EAP5/S	120V-60HZ					
27	17800230	996530068726	2POLES CONNECTOR PUMP CLP UL						
28	17800229	996530068671	3POLES CONNECTOR FLOWMETER CLP UL						
29	NV99.099	996530059843	TURBINE D=1,2 932-8521/00 ASSY.						
30	12000892	996530007947	OETIKER CLAMP D=9,5 16700004						
31	190800100	996530026997	TEMPERATURE SENSOR NTC UL L=280MM						
32	17001440	996530068747	BLK BOILER INSULATING COVER NPR						
33	JS01.022	996530057357	SILICONE TUBE 5X10 60SH	IN ROLL					



PHILIPS

Saeco

HD8751/04-06-11-12-15-23-19-41-43-47-88

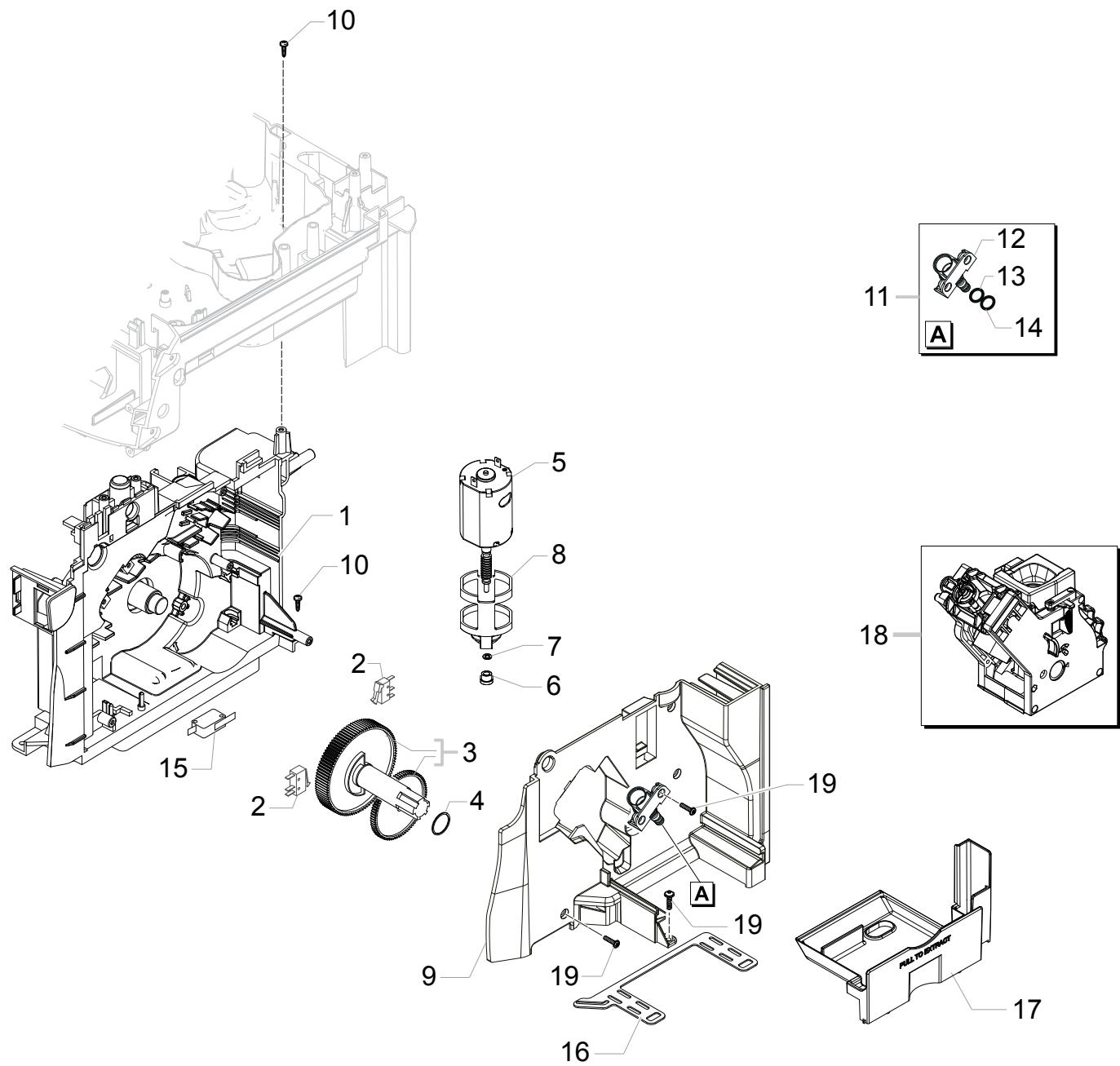
HD8752/05-22-23-25-41-49-61-83-87-89



Cod.10003844-45-46-49-60-61-10003935-36-37-86

Cod.10004055-56-57-58-59-10004101-02-03-04-15-10004232

POS	CODE	12NC	DESCRIPTION	NOTE	POS	CODE	12NC	DESCRIPTION	NOTE
01	11010031	996530005586	TEA/ZAMA INCREASE SCREW GRINDER		35	11003446	996530001673	BLACK BEAN COFFEE GRINDER INSERT P0049	
	11024208	996530066712	TEA SHORT ZAMA INCREASE SCREW GRINDER	ONLY USA	36	17001921	996530072477	BLK WIRING FIX INSERT FOR GRINDER BOARD	
02	129574802	996530012928	SCREW TCB TORX 20 M4X30 ZN-B			11026298	996530068697	GEN.MOTOR COFFEE GRINDER NPR ASSY.	230V
03	149198250	996530017951	BLK UPPER COFFEEGRINDER GRINDER SUPPORT			11028279	996530071878	GEN.MOTOR COFFEE GRINDER NPR ASSY.	120V BRA-TW
04	140328960	996530013577	OR ORM 0530-15 NBR FDA			11029730	996530071876	GEN.MOTOR COFF.GRINDER NPR ASSY.	120V UL USA
05	146520100	996530016342	BAKED CLAY GRINDER 48X28						
06	11012466	996530006412	BRASS BUSH BEAN CONT.FINGER PROTEC.P0057						
07	149198350	996530017952	BLK LOWER COFFEEGRINDER GRINDER SUPPORT						
08	123030300	996530011183	AXIAL BEARING EKKO 342.35252						
09	140360500	996530013597	FELT RING 45,4X39,4X4						
10	128310402	996530012341	GALV.WASHER UNI 8842 A4						
11	11026355	996530068049	BLK GROUND COFF.OUTLET CONVEYOR V4 ASSY.						
12	145854462	996530015959	BLK GROUND COFFEE CONT.LOWER SEAL SMART1						
13	226000300	996530029609	GEAR SX Z=38 FOR GRINDER MOTION ASSY.						
14	11000513	996530000317	MOTOR COFFEEGRINDER V3.1 ASSY.	230V					
	11000511	996530000315	MOTOR COFFEEGRINDER V3.1 ASSY.	120V					
15	149214800	996530018139	MC V3 MOD=1,25 WORM SCREW CENTRING CAP						
16	129661702	996530012992	SCREW TCB TORX 3,5X30 PLAST.ZN-B						
17	11002873	996530001389	INSULATOR BUSH FOR GRINDER MOTOR P124						
18	11000597	996530000376	COFFEE GRINDER SUPPORT SPRING P124						
19	11014285	996530007058	BLK V2 BEAN CONTAIN.FINGER PROTECT.P0057						
	17001333	996530071877	TRANS.BEAN CONTAIN.FINGER PROTECT.NPR UL	ONLY USA					
20	128381902	996530012375	STEEL FLAT WASHER DI=4,3 DE=14 SP=1,5						
21	149199050	996530017963	BLK SENSOR SUPPORT FOR COF.GRINDER MOTOR						
22	11000194	996530000115	BLACK COFFEEGRINDER MOTOR SUPPORT P124						
23	181540900	996530022784	ELECTR.BOARD WITH SENSOR HAL506 SF-K						
24	123030200	996530011182	RADIAL BEARING 61900.2RS1						
25	128381800	996530012374	STEEL CRINKLE WASHER 21,8X14X0,25						
26	142905450	996530015258	BLK UPPER BODY WITH COFFEE GROUND OUTLET						
27	17800302	996530068114	3POLES CONNECTOR MC SENSOR NPR UL						
28	11002613	996530001314	LOWER COFFEEGRINDER GEAR SUPPORT P124						
29	11002572	996530001308	COFFEEGRINDER REGULATION SPRING P124						
30	11003784	996530001907	COFFEE GRINDING ADJUSTMENT GEAR P0049						
31	U043.004	996530061808	ZN-B TCB SCREW M4X16						
32	11002508	996530001296	UPPER COFFEEGRINDER GEAR SUPPORT P124						
33	129914002	996530013165	SCREW TCB TORX 10 3,5X16 PLAST.ZN-B						
34	17800301	996530068113	2POLES CONNET.COFFEEGRINDER MOTOR NPR UL						



PHILIPS

Saeco

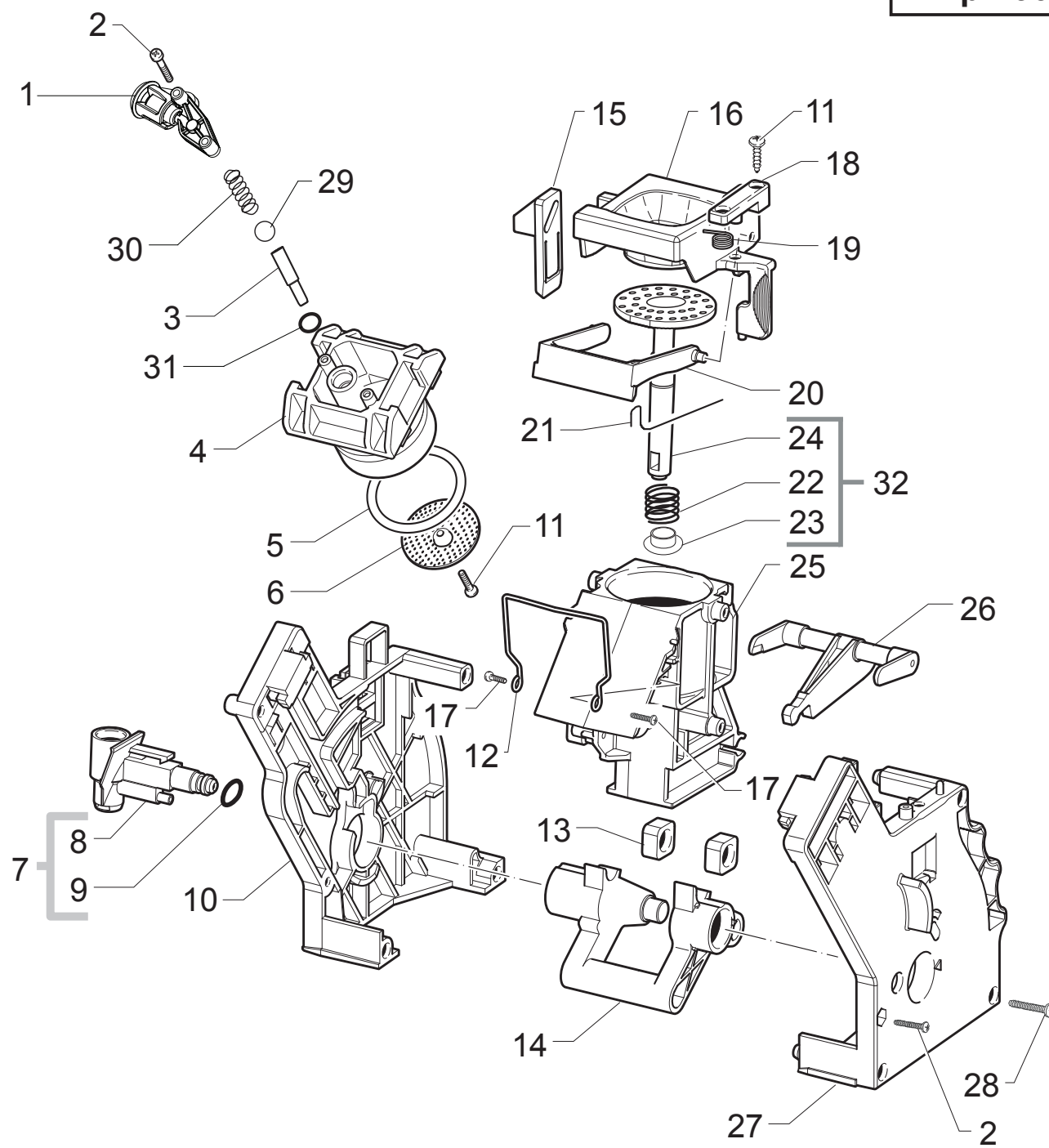
HD8751/04-06-11-12-15-23-19-41-43-47-88
HD8752/05-22-23-25-41-49-61-83-87-89



Cod.10003844-45-46-49-60-61-10003935-36-37-86

Cod.10004055-56-57-58-59-10004101-02-03-04-15-10004232

POS	CODE	12NC	DESCRIPTION	NOTE	POS	CODE	12NC	DESCRIPTION	NOTE
01	17000366	996530066736	BLK RATIOMOTOR MOUNTING PLATE XSMC ASSY.						
02	NE05.038	996530058869	MICROSWITCH SAIA XCG5-81-P5						
03	20000900	996530009913	SPARES KIT GEARS FOR RATIOMOTOR V2						
04	9161.132	996530050569	MYLAR WASHER FOR RATIOMOTOR						
05	11005214	996530002796	MOTOR FOR RATIOMOTOR P124 ASSY.						
06	9121.046	996530049898	BRONZE SINTERED BUSH FOR MOTOR RATIOMOT.						
07	148380200	996530017424	BAKELIZZATE WASHER D=5,5						
08	9121.044	996530049896	ANTIVIBRATION FOR MOTOR						
09	11003754	996530001899	BLK RATIOMOT.MOUNTING PLATE COVER P0057						
10	12000450	996530007819	SCREW TCBR TORX 10 3,5X12 PLAST.ZN-N						
11	11013531	996530006805	PIN FOR FLOW SELECTOR FAUCET P0057 ASSY.						
12	11013530	996530006804	PIN FOR FLOW SELECTOR FAUCET V2 P0057						
13	NM01.035	996530059399	OR ORM 0090-20 SILICONE						
14	NM01.057	996530059419	OR ORM 0050-20 IN SILICONE						
15	NE05.013	996530058847	MICROSWITCH SAIA XGK52-81-J23						
16	11013205	996530006688	BLACK SEAL FOR RATIOMOTOR PLATE XSM						
17	17001336	996530068732	GREY BREW UNIT DRAWER COFFEE NPR						
18	11012382	996530006384	BLACK BREW UNIT 8GR.5BAR P0057 SEE EXPL.CODE E90067 NEXT PAGE						
19	12001728	996530070321	SCREW TCBR TORX 10 3,5X12 PLAST.SS						



Saeco
INTERNATIONAL GROUP



Cod. 11012382

POS	CODE	12NC	DESCRIPTION	NOTE	POS	CODE	12NC	DESCRIPTION	NOTE
01	11009362	996530005415	BLK COF.OUTLET SLEEVE BREW UNIT S0053 AS						
02	12000550	996530007838	SCREW TCB TORX 10 3X25 PLAST.SS						
03	11009276	996530005372	BLK COUNTER PISTON TUBE BREW UNIT S0053						
04	11001840	996530001046	BLACK COUNTER PISTON BREW UNIT 8GR.P124						
05	NM01.044	996530059406	OR ORM 0320-40 SILICONE PTFE/FDA						
06	9161.268	996530050709	PERCOLATOR DE=35,8 ELFO						
07	20000440	996530009825	BLACK WATER INLET SLEEVE BREW UNIT ASSY.						
08	9161.064.050	996530050488	BLACK WATER INLET SLEEVE BREW UNIT ROYAL						
09	NM02.007	996530059441	OR 2025 IN TERMOIL						
10	9161.375.050	996530050832	BLACK BREW UNIT REAR PLATE SMART						
11	12000895	996530007951	SCREW TSP TORX 10 3X10 PLAST.SS						
12	11001556	996530000898	SS BREW UNIT SPRING H=49 SMART						
13	9161.094.050	996530050539	BLACK BREW UNIT DRILLED BLOCK						
14	9161.066.050	996530050492	BLACK BREW UNIT ELBOW SHAFT M5000						
15	9161.373.050	996530050827	BLACK BREW UNIT COUPLING PLATE SMART						
16	149261350	996530018241	BLACK HOPPER DOSER BREW UNIT SMART1						
17	129912521	996530013148	SCREW TCB TORX 10 3,5X14 PLAST.SS						
18	9161.374.050	996530050829	BLK BREWUNIT HOPPER BLOCKING PLATE SMART						
19	9161.378	996530050838	SS HOPPER SPRING FOR BREW UNIT SMART						
20	11004161	996530002096	BLACK SCRAPER FOR BREW UNIT M5000						
21	9161.046	996530050455	SS SCRAPER SPRING FOR BREW UNIT						
22	9161.198	996530050627	SS.8GR.BREW UNIT PISTON SPRING						
23	9161.191	996530050618	WHITE 8GR.-12GR.BREW UNIT PISTON BUSH						
24	11003077	996530001451	BLK BREW UNIT INTEGRAL PISTON 8GR.ASSY.						
25	11003075	996530001448	BLACK COFFEE CONTAINER BREW UNIT P124						
26	11003078	996530001452	BLACK CONNECTING ROD BREW UNIT 8GR.						
27	11005920	996530003228	BLACK BREW UNIT FRONT PLATE S/SCR.SMART						
28	12000897	996530007953	SCREW TCB TORX 10 3,5X20 PLAST.SS						
29	9991.168	996530051874	GLASS SPHERE D.5 MM						
30	11012095	996530006305	SS COFFEE UNIT CONTERPISTON SPRING S0053						
31	140328761	996530013575	OR ORM 0060-15 TERMOIL						
32	11023086	996530007577	BLK 8GR.BREW UNIT NTEGR.PISTON GEN.ASSY.						
	11012382	996530006384	BLACK BREW UNIT 8GR.5BAR P0057						

Saeco
INTERNATIONAL GROUP

BLACK BREW UNIT 8 GR.5 BAR

TABLE 1/1