

PHILIPS

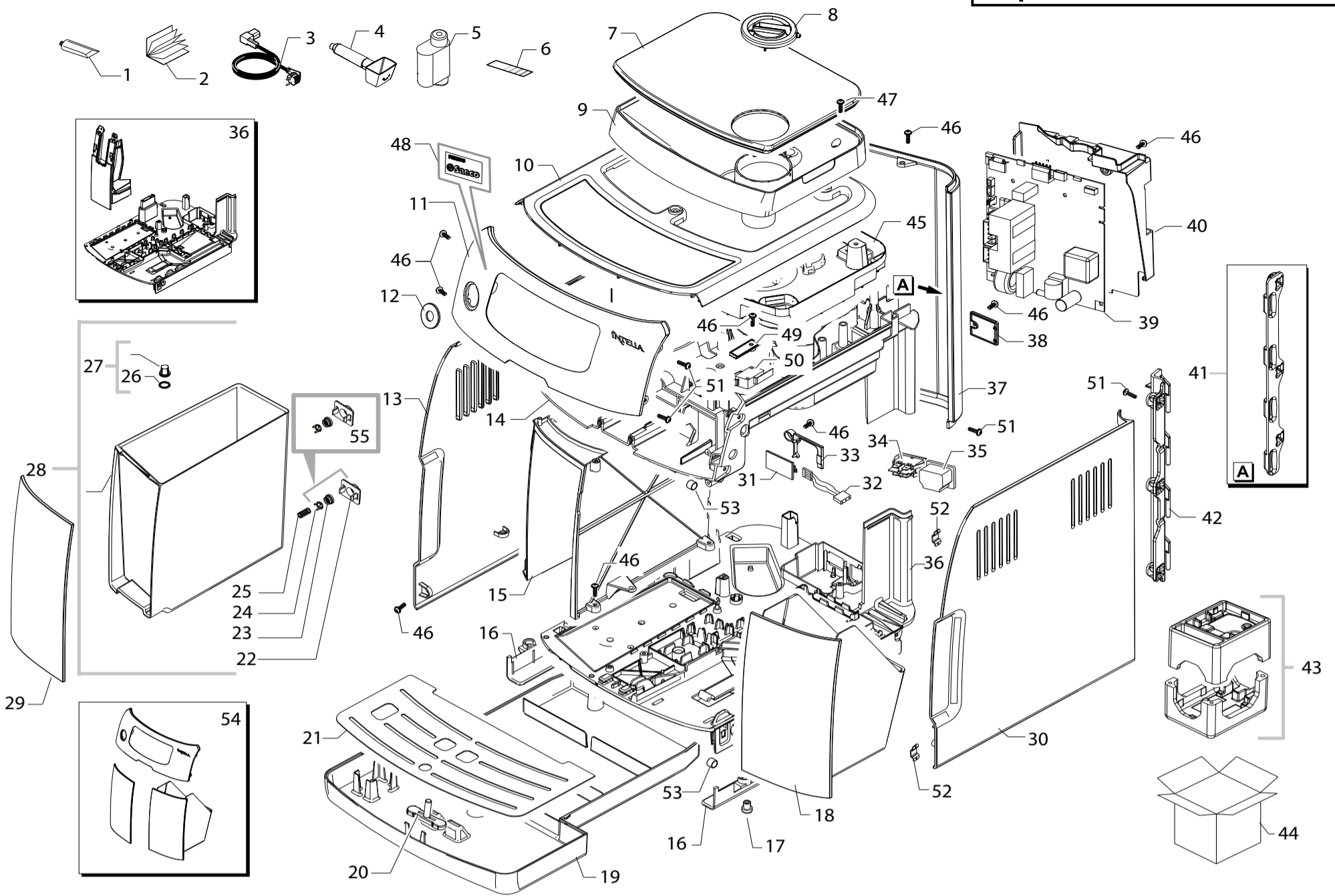
Saeco

HD8751/04-06-11-12-14-15-19-23-41-43-47
 HD8751/71-88 - HD8752/05-22-23-25
 HD8752/41-49-61
 HD8752/71-83-85-87-89



Cod.10004055-57-3844-46-882875114100-10003937-3845-4115-4058-59-56
 Cod. 882875171010-10004101-3936-3861-3935-4232-882875225630
 Cod.10003849-882875241020-10003860-882875249020-10003986
 Cod. 882875271100-10004102-882875285020-03-882875287740-10004104

| POS | CODE | 12NC | DESCRIPTION | NOTE | POS | CODE | 12NC | DESCRIPTION | NOTE |
|-----------|----------|--------------|--|----------|--------------|------|--------------|---|------|
| 01 | 11028379 | 996530070318 | PSA KLUBER TRIBOSTAR SIL 2 TUBE 5GR. | | 10 | | 421941301461 | M/BLK UPPER CASING COVER V2 NPR/B-P | |
| 02 | - | 421946009281 | MANUAL V2 PSA HD8751 NPR/P GB | USA | | | | FROM S/N . TW901239414584 | |
| | - | 421946009301 | MANUAL V2 PSA HD8751 NPR/P FR | USA | | | | FOR HD8751/04-06-11-12-15-19-23-41-43-47-71-88 | |
| | - | 421946009311 | MANUAL V2 PSA HD8751 NPR/P ES | USA | | | 421941301471 | G/ANT.UPPER CASING COVER V2 NPR/B-P | |
| 15002987 | | 996530070364 | MANUAL PSA HD8751 NPR/P CHN | | | | | FOR HD8751/71 | |
| | - | 421946005881 | MANUAL V2 PSA HD8752 NPR/H GB | USA | 11029860 | | 996530074278 | SB/SS-ANT.UPPER CASING COVER NPR/H ASSY. | |
| | - | 421946005901 | MANUAL V2 PSA HD8752 NPR/H FR | USA | | | | FOR HD8752/85 | |
| | - | 421946005911 | MANUAL V2 PSA HD8752 NPR/H ES | USA | 11 | | 11026478 | SILVER FRONT PANEL S/SCR.NPR/H-P | |
| 15002989 | | 996530071975 | MANUAL PSA HD8752 NPR/H CHN | | | | | UP TO S/N . TW901239414583 | |
| 15003074 | | 996530072425 | MANUAL PSA HD8751 NPR/P PT/BRA | | 11030526 | | 996530072905 | SILVER FRONT PANEL S/SCR.NPR/H-P | |
| 03 | - | 421946001591 | BLK POWER CABLE SCHUKO L=800 | | | | | FROM S/N . TW901239414584 | |
| 183940650 | | 996530025872 | BLACK POWER CABLE AUSTRALIA L=1200 | | 11026295 | | 996530068754 | BLK FRONT PANEL S/SCR.INTEL.NPR/H-P | |
| 183930650 | | 996530025858 | POWER CABLE CH BLACK 3X1 H05VV-F L=1200 | | | | | UP TO S/N .TW901239414583 - FOR HD8751/04-06 | |
| 11004247 | | 996530002167 | BLACK POWER CABLE RVV 3X1 CHINA L=1200 | | 11030590 | | 996530072885 | MATT/BLACK FRONT PANEL S/SCR.NPR/H-P | |
| 11001985 | | 996530001089 | BLACK POWER CABLE KOREA L=1200 | | | | | FROM S/N .TW901239414584 - FOR HD8751/04-06 | |
| 183970350 | | 996530025882 | BLACK POWER CABLE UK L=1200 | | 11030230 | | 996530072908 | SS FRONT PANEL V2 S/SCR.NPR/HM ASSY. | |
| 183921950 | | 996530025843 | POWER CABLE SJT3 USA BLACK UL L=1200 | | | | | FOR HD8752/25-35-83-87-89 | |
| 11004246 | | 996530002166 | BLACK POWER CABLE TAIWAN HVCTF L=1200 | | 421946006771 | | 421946006771 | G/ANT.FRONT PANEL S/SC.SAE INTEL.NPR/H-P | |
| 17800330 | | 996530069926 | BLACK POWER CABLE BRAZIL L=1200 | BRA 120V | | | | FOR HD8751/71 - HD8752/71 | |
| 17800019 | | 996530009627 | BLACK POWER CABLE BRAZIL L=1200 | BRA 230V | 11030171 | | 996530072803 | SS FRONT PANEL S/SCR.NEW NPR/HM ASSY. | |
| 04 | | 421944033301 | BLK ABS COFFEE MEASURE SMART | | | | | FOR HD8752/85 | |
| 05 | 21002051 | 996530071783 | ACC PSA MAVEA WATER FILTER 1UNIT | USA-BRA | 12 | | 11026290 | CHROM.FRONT PANEL CAP NPR/H-P | |
| 06 | 0301.961 | 996530039604 | STICKER FOR WATER HARDNESS TEST | | | | | FOR HD8751/71-HD8752/05-22-23-25-41-49 | |
| 07 | 17001245 | 996530068681 | NAT/GREY BEAN COFFEE CONTAIN.LID NPR/H-T | | | | | HD8752/61-71-83-87-89 | |
| | | 421944058821 | TR/GRY BEAN C.CONT.LID V2 NP5/P-H-T | | 11026768 | | 996530068759 | BLACK FRONT PANEL CAP NPR/H-P | |
| | | | FOR HD8751/04-06-11-12-14-15-19-23-41-43-47-71-88 | | | | | UP TO S/N . TW901239414583 | |
| 08 | 17001244 | 996530068685 | NAT/GREY GROUND COFFEE HOPPER LID NPR | | | | | FOR HD8751/04-06-11-12-14-15-19-23-41-43-47-88 | |
| 09 | 17001234 | 996530068743 | NAT/GREY BEAN COFFEE CONTAINER NPR | | 11030533 | | 996530072903 | MATT/BLACK FRONT PANEL CAP NPR/H-P | |
| 10 | 20007023 | 996530068677 | SPARES KIT SS/BLK UPPER CASING COV.NPR/H | | | | | FROM S/N . TW901239414584 | |
| | | | UP TO S/N . TW901239414583 | | 13 | | 17001299 | BLACK LEFT SIDE CASING NPR | |
| | | | FOR HD8752/05-22-23-25-41-49-61-83-87-89 | | 14 | | 11030130 | BLK COFFEE GRINDER SUPP.PLATE V2 NPR/H-P | |
| | | | FOR HD8751/04-06-11-12-14-15-19-23-41-43-47-88 | | 15 | | 17001114 | BLACK CASING BOTTOM INSERT NPR | |
| | | | FOR HD8752/25-71-83-87-89 | | | | | FOR HD8751/04-06-11-12-14-15-19-23-41-43-47-71 | |
| | | | FOR HD8751/04-06-11-12-15-19-23-41-43-47-88 | | | | | HD8752/25-61-83-85-87-89 | |



PHILIPS

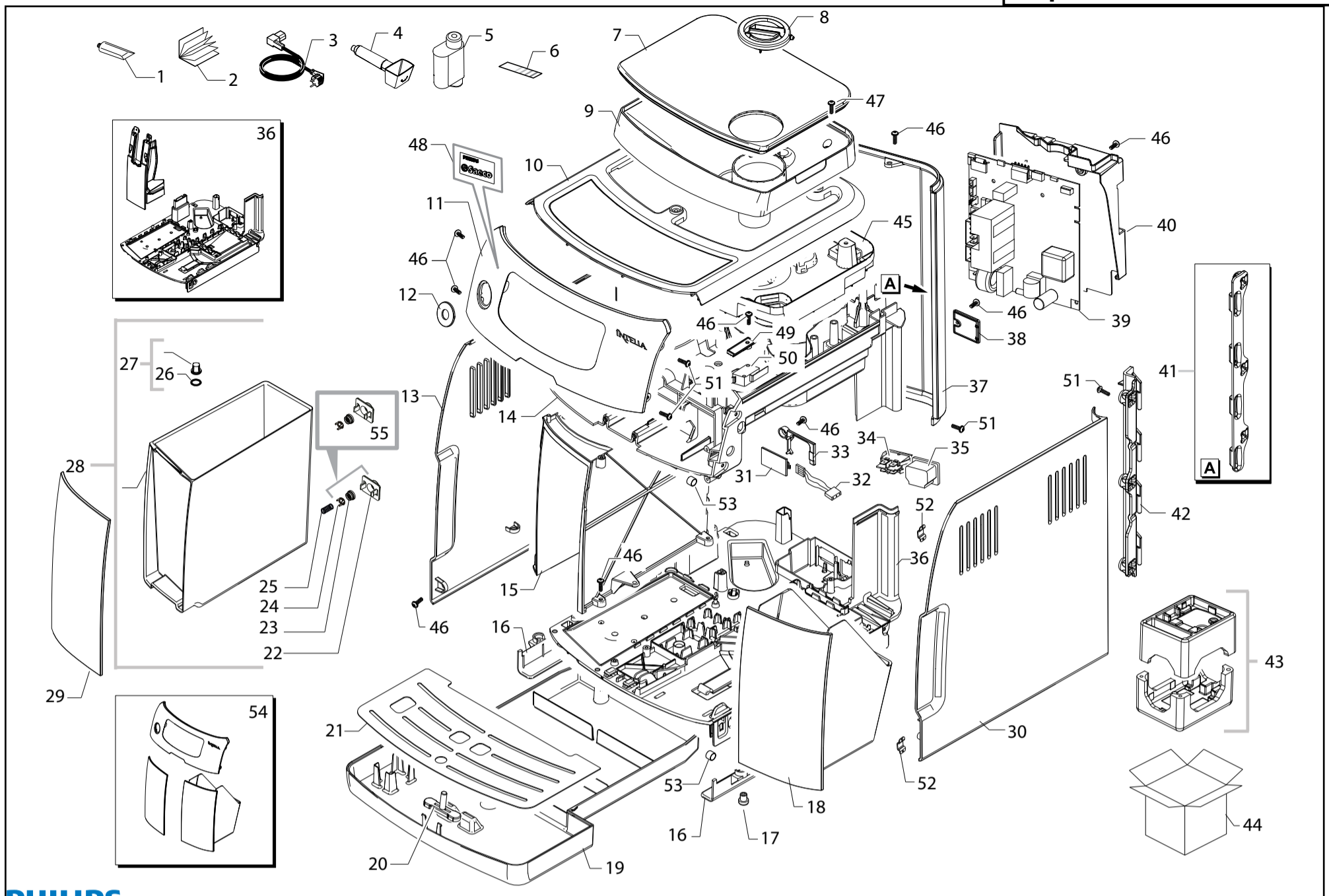
Saeco

HD8751/04-06-11-12-14-15-19-23-41-43-47
 HD8751/71-88 - HD8752/05-22-23-25
 HD8752/41-49-61
 HD8752/71-83-85-87-89



Cod.10004055-57-3844-46-882875114100-10003937-3845-4115-4058-59-56
 Cod. 882875171010-10004101-3936-3861-3935-4232-882875225630
 Cod.10003849-882875241020-10003860-882875249020-10003986
 Cod. 882875271100-10004102-882875285020-03-882875287740-10004104

| POS | CODE | 12NC | DESCRIPTION | NOTE | POS | CODE | 12NC | DESCRIPTION | NOTE |
|-----|-----------|---------------|--|------------|-----|--------------|--------------|---|------|
| 15 | 11027799 | 996530068712 | GREYCASING BOTTOM INSERT NPR FOR HD8752/05-08-22-23-41-49-71 | | 24 | | 421944040071 | BLK WATER CONT.VALVE INSERT V2 P0049 FROM S/N. TU901606010610 | |
| 16 | 17001110 | 996530068723 | BLACK DRIP TRAY GUIDE NPR | | 25 | 11003672 | 996530001831 | SS SPRING FOR WATER CONTAIN.VALVE P0049 | |
| 17 | 147622800 | 996530016875 | TRANSPARENT SILICONE FOOT UP TO S/N TW901420291211 | | 26 | 140328461 | 996530013571 | OR ORM 0190-10 EPDM | |
| | | 421324705256 | FOOT FROM S/N TW901420291212 | | 27 | 224640200 | 996530029115 | WHITE WATER CONTAINER EXT.FILTER ASSY. | |
| 18 | 11026472 | 996530068718 | SILVER DUMP BOX NPR/H-P UP TO S/N .TW901239414583 FOR HD8752/05-22-23-41-49 | | 28 | 421944056301 | 421944056301 | NAT/GRY WATER CONTAINER V2 NPR ASSY | |
| | 11030555 | 996530072904 | SILVER DUMP BOX NPR/H-P FROM S/N . TW901239414584 FOR HD8752/05-22-23-41-49 | | 29 | 11026473 | 996530068679 | SILVER WATER TANK FRONT COVER NPR UP TO S/N . TW901239414583 FOR HD8752/05-22-23-41-49 | |
| | | NOT AVAILABLE | BLK DUMP BOX NPR/H-P UP TO S/N .TW901239414583 - FOR HD8751/04-06-11 HD8751/12-14-15-19-23-41-43-47-88-HD8752/61 | SEE POS.54 | | 11030559 | 996530072907 | SILVER WATER TANK FRONT COVER NPR FROM S/N . TW901239414584 FOR HD8752/05-22-23-41-49 | |
| | 11030534 | 996530072525 | MATT/BLACK DUMP BOX NPR/H-P FROM S/N .TW901239414584 - FOR HD8751/04-06-11 HD8751/12-14-15-19-23-41-43-47-88-HD8752/61 | | | 11030535 | 996530072456 | MATT/BLACK WATER TANK FRONT COVER NPR FROM S/N .TW901239414584 - FOR HD8751/04-06-11 HD8751/12-14-15-19-23-41-43-47-88- HD8752/61 | |
| | 11028562 | 996530070355 | SS DUMP BOX NPR/HM ASSY. FOR HD8752/25-83-87-89 | | | 11028561 | 996530070361 | SS WATER TANK FRONT COVER NPR/HM ASSY. FOR HD8752/25-83-87-89 | |
| | 11029854 | 996530073359 | G/ANT.DUMP BOX NPR/H-P FOR HD8751/71 HD8752/71 | | | 11029853 | 996530072452 | G/ANT.WATER TANK FRONT COVER NPR FOR HD8751/71 HD8752/71 | |
| 19 | 17001105 | 996530068696 | BLACK DRIP TRAY NPR/H-P UP TO S/N .TW901239414583 | | 30 | | 421944040591 | M/BLK RIGHT SIDE DOOR V4 NPR | |
| | 11030489 | 996530072526 | MATT/BLACK DRIP TRAY NPR/H-P FROM S/N . TW901239414584 | | 31 | 11003232 | 996530001522 | AS.CPU+SW WATER LEVEL SENSOR V2 | 230V |
| | 17001637 | 996530072533 | BLK DRIP TRAY V2 NPR/H-P FOR HD8752/85 | | 31 | 11000651 | 996530000425 | WATER LEVEL SENSOR BOARD P124 | 120V |
| 20 | 11013184 | 996530006683 | RED FLOAT FOR DRIP TRAY XSM | | 32 | - | 421946000081 | 3P.CONN.WATER LEVEL V2 CLP UL ASSY. | |
| 21 | 11027821 | 996530068683 | BA/SS GRATE FOR DRIP TRAY NPR/H FOR ALL EXCEPT HD8752/25-83-87-89 | | 33 | 17001179 | 996530068749 | BLK CAPACIT.SENSOR LOCKING INSERT NPR | |
| | 11029600 | 996530070357 | SB/SS GRATE FOR DRIP TRAY NPR/H FOR HD8752/25-83-87-89 | | 34 | NE03.038 | 996530058836 | BIPOLAR SWITCH FUSIT C1250AR FOR HD8751/04-06-15-43-05 | |
| | 17001635 | 996530072536 | SB/SS GRATE FOR DRIP TRAY V2 NPR/H-P FOR HD8752/85 | | | - | 242212625107 | SWI POW 2P 16A 250V FASTON IEC 1552 B FROM S/N TW901405083069 DELETED IN HD8751/11-12-14-19-47-71-88-HD8752/41-49 | |
| 22 | | 421944040061 | BLK LID FOR WATER CONT.VALVE V2 P0049 FROM S/N. TU901606010610 | | 35 | 12001883 | 996530072437 | CUP SOCKET V3 EN 60320 C 13 | |
| 23 | | 421944040781 | BLK GASKET FOR WATER CONT.VALVE V2 P0049 FROM S/N. TU901606010610 | | 36 | 20007061 | 996530070363 | KIT BLK BOTTOM+FRONT CASING COVER V2 NPR UP TO S/N.TW901136442239 - FOR HD8751/04-06-11 HD8751/12-14-15-19-23-41-43-47-88 HD8752/61 | |
| | | | | | | 20007062 | 996530070366 | KIT SIL.BOTTOM+FRONT CASING COVER V2 NPR UP TO S/N. TW901136442239 FOR HD8752/05-22-23-41-49 | |



PHILIPS

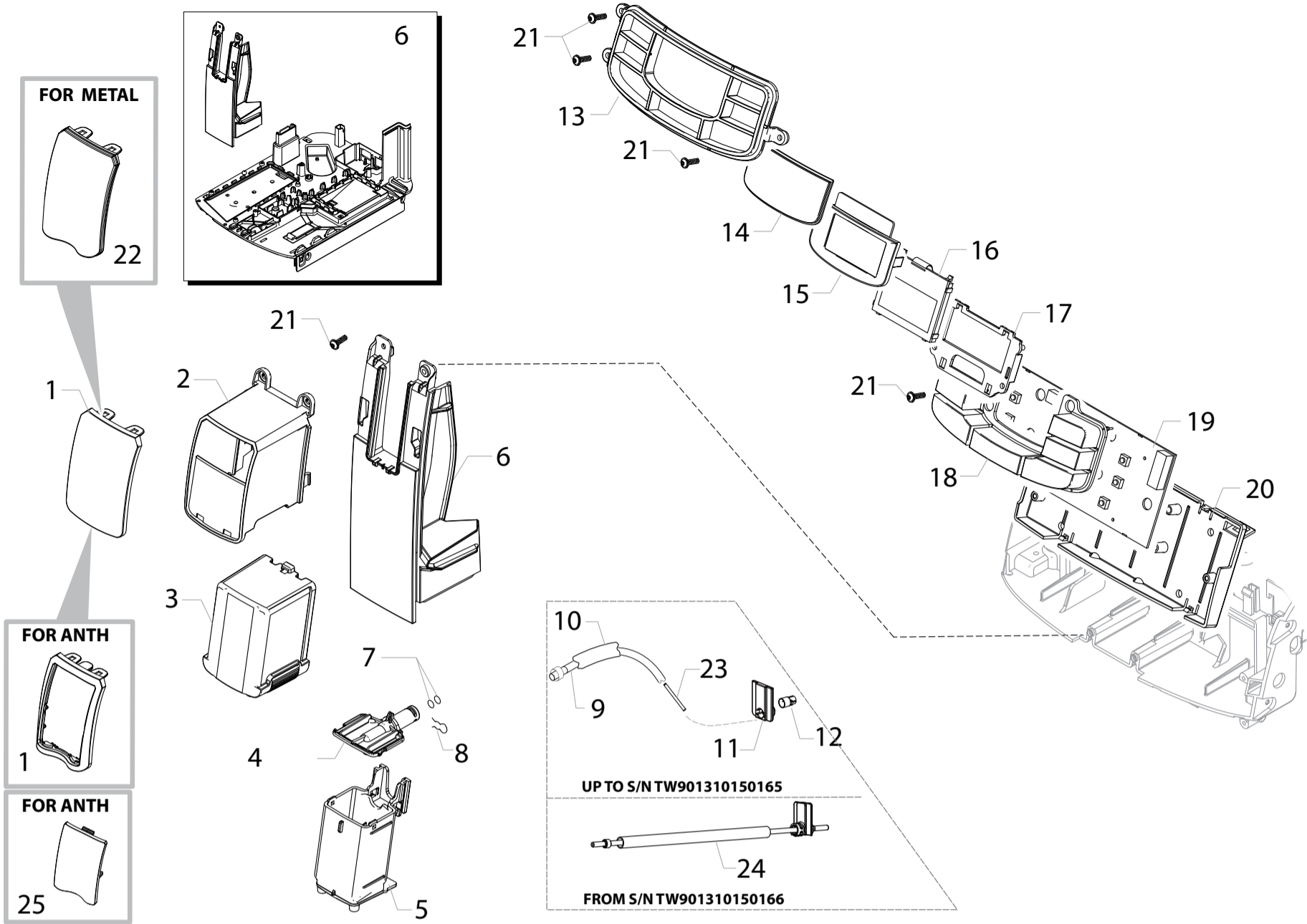
Saeco

HD8751/04-06-11-12-14-15-19-23-41-43-47
 HD8751/71-88 - HD8752/05-22-23-25
 HD8752/41-49-61
 HD8752/71-83-85-87-89



Cod.10004055-57-3844-46-882875114100-10003937-3845-4115-4058-59-56
 Cod. 882875171010-10004101-3936-3861-3935-4232-882875225630
 Cod.10003849-882875241020-10003860-882875249020-10003986
 Cod. 882875271100-10004102-882875285020-03-882875287740-10004104

| POS | CODE | 12NC | DESCRIPTION | NOTE | POS | CODE | 12NC | DESCRIPTION | NOTE |
|-----|-----------|---------------|---|------|-----|------|------|-------------|------|
| 36 | - | NOT AVAILABLE | BLK CASING BOTTOM V3A NPR/T FROM S/N TW901136442240 | | | | | | |
| 37 | 17001240 | 996530068714 | BLACK REAR CASING NPR | | | | | | |
| 38 | 17001484 | 996530068728 | BLACK REAR CASING PROGRAM.INSERT NPR | | | | | | |
| 39 | - | 421941229373 | CPU+SW V3 NPR/H-P 230V ASSY. | | | | | | |
| | 11028192 | 996530072419 | AS.CPU+SW NPR/H-P 120V | 120v | | | | | |
| 40 | - | 421941200872 | GRY PWR/CPU BOARD PROTECTION P0057 | 120v | | | | | |
| | | 421944017971 | BLK PWR/CPU BOARD PROTECTION V2 P0057 | 230v | | | | | |
| 41 | - | 421944022751 | BLK HINGE FOR REAR CASING XSM | | | | | | |
| 42 | - | 421944022731 | BLK HINGE FOR DOOR RIGHT SIDE XSM. | | | | | | |
| 43 | 20007020 | 996530068711 | KIT PS-E INSERT FOR BOX NPR/H-P | | | | | | |
| 44 | - | 421944053751 | DISPL.BOX DFX V3 NPR SAE INTEL. FOR ALL EXCEPT HD8751/04-06-15-HD8751/05 FOR HD8751/04-06-15 FOR HD8752/05 | | | | | | |
| | 13001339 | 996530067859 | DISPL.BOX NPR/P PSA INTELIA FOCUS WE | | | | | | |
| | 13001353 | 996530068689 | DISPL.BOX NPR/H PSA INTELIA CLASS WE | | | | | | |
| 45 | - | 421944058831 | BLK COF.GRINDER SOUNDPROOFING COV.V3 NPR | | | | | | |
| 46 | 12000450 | 996530007819 | SCREW TCB TORX 10 3,5X12 PLAST.ZN-N | | | | | | |
| 47 | 129914002 | 996530013165 | SCREW TCB TORX 10 3,5X16 PLAST.ZN-B | | | | | | |
| 48 | 11025026 | 996530068191 | ADHES.SILVER PLATE LOGO PHILIPS-SAECO | | | | | | |
| 49 | 17000064 | 996530067437 | BLK CAPACIT.SENSOR DEADLOCK INSERT XSM | | | | | | |
| 50 | 12001890 | 996530073209 | MICROSWITCH XG/V3D | | | | | | |
| 51 | 12001728 | 996530070321 | SCREW TCB TORX 10 3,5X12 PLAST.SS | | | | | | |
| 52 | 11013220 | 996530069857 | STEEL PLATE FOR DOOR MAGNET XSM | | | | | | |
| 53 | 9161.111 | 996530050555 | MAGNET FOR FLOAT SUPERAUT. | | | | | | |
| 54 | | 421941307561 | KIT SPARES AESTH.ITEMS INTELIA FOCUS BK UP TO S/N . TW901239414583 | | | | | | |
| 55 | | 421941308821 | KIT SP.COMPONENTS WATER CONTAINERS ASSY UP TO S/N. TU901606010609 | | | | | | |



PHILIPS

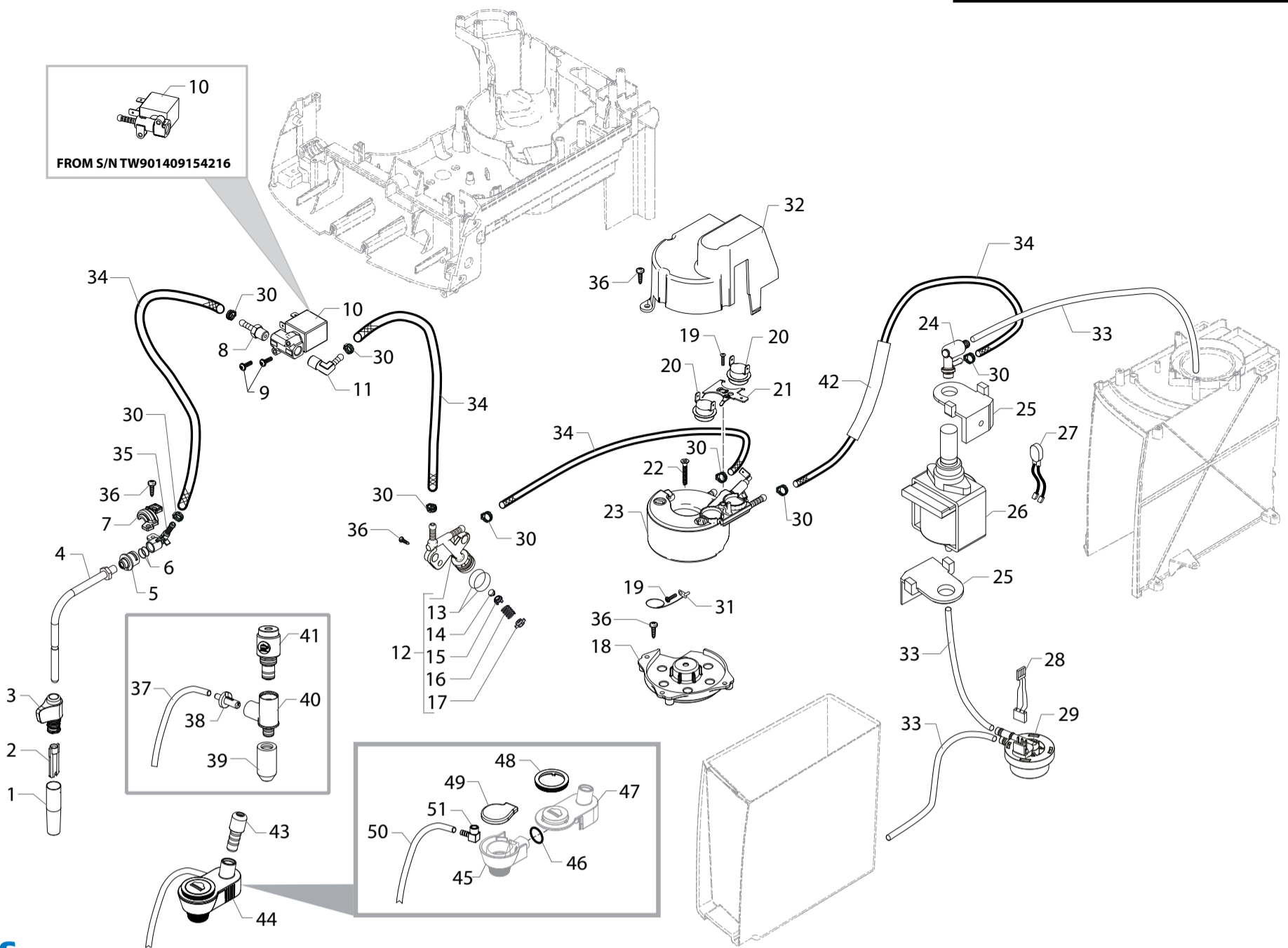
Saeco

HD8751/04-06-11-12-14-15-19-23-41-43-47
 HD8751/71-88 - HD8752/05-22-23-25
 HD8752/41-49-61
 HD8752/71-83-85-87-89



Cod.10004055-57-3844-46-882875114100-10003937-3845-4115-4058-59-56
 Cod. 882875171010-10004101-3936-3861-3935-4232-882875225630
 Cod.10003849-882875241020-10003860-882875249020-10003986
 Cod. 882875271100-10004102-882875285020-03-882875287740-10004104

| POS | CODE | 12NC | DESCRIPTION | NOTE | POS | CODE | 12NC | DESCRIPTION | NOTE |
|-----|----------|--------------|--|------|-----|--------------|--------------|---|------|
| 01 | 11026471 | 996530068716 | SILVER COF.DISPENSER FRONT PLATE NPR/H-P UP TO S/N . TW901239414583 | | 06 | 11030562 | 996530072909 | SILVER FRONT CASING COVER V2 NPR FROM S/N . TW901239414584 | |
| | 11030553 | 996530072911 | SILVER COF.DISPENSER FRONT PLATE NPR/H-PS FROM S/N . TW901239414584 | | | 11028558 | 996530070368 | SS FRONT CASING COVER NPR/HM ASSY. FOR HD8752/05-08-15-18-22-23-41-49 | |
| | 17001236 | 996530068665 | BLK COFFEE DISPENSER FRONT PLATE NPR/H-P UP TO S/N . TW901239414583 | | | 11031363 | 996530073212 | CRC FRONT CASING COVER V2 NPR FOR HD8751/71 | |
| | 11030532 | 996530072509 | MATT/BLK COF.DISPENS.FRONT PLATE NPR/H-P FROM S/N . TW901239414584 | | | 11030564 | 996530072463 | CRC FRONT CASING COVER V2 NPR FOR HD8752/71 | |
| | 11029779 | 996530072482 | CHROM.COFF.DISPEN.FRONT PLATE V2 NPR/H-T FOR HD8751/71 HD8752/71 | | 07 | 140328059 | 996530013564 | OR 2015 SILICONE PTFE/FDA | |
| 02 | 17001239 | 996530068699 | BLACK COFFEE DISPENSER LID NPR UP TO S/N . TW901239414583 | | 08 | 9011.144 | 996530048885 | SS FORK FOR TUBE D=4 | |
| | 11030531 | 996530072512 | MATT/BLACK COFFEE DISPENSER LID NPR FROM S/N . TW901239414584 | | 09 | 11004132 | 996530002073 | TEFLON TUBE 2X4 L=250 MM ASSY. | |
| | 11031364 | 996530073213 | CRC COFFEE DISPENSER LID NPR FOR HD8751/71 | | 10 | 149361200 | 996530018278 | BLACK SILICONE TUBE 7,5X9,3 | |
| | 11030529 | 996530072523 | CRC COFFEE DISPENSER LID NPR FOR HD8752/71 | | 11 | 11005100 | 996530002748 | PLATE FOR BUSH TEFLON TUBE 2X4 P124 | |
| | 11030355 | 996530072499 | G/ANT.COFFEE DISPENSER LID NPR FOR HD8752/85 | | 12 | 11005101 | 996530002749 | BLACK BUSH FOR TEFLON TUBE 2X4 P124 | |
| 03 | 17001242 | 996530068698 | BLACK COFFEE DISPENSER MOBILE PART NPR | | 13 | 11029834 | 996530072465 | CRC TOUCH PANEL FRAME NPR/H-P FOR HD8751/71-HD8752/05-22-23-25-41-49-61-71-83-87-89 | |
| 04 | 17001246 | 996530068742 | BLACK COFFEE DISPENSER BODY LID NPR | | | 11026294 | 996530068758 | SILVER TOUCH PANEL FRAME NPR/H-P FOR HD8751/04-06-11-12-14-15-19-23-41-43-47-88 | |
| 05 | 17001894 | 996530071881 | BLACK COFFEE DISPENSER BODY V2 NPR | | 14 | 17001112 | 996530068675 | TRANSP.GLASS FOR DISPLAY NPR | |
| 06 | 20007061 | 996530070363 | KIT BLK BOTTOM+FRONT CASING COVER V2 NPR UP TO S/N. TW 901136442239 | | 15 | 17001111 | 996530068673 | BLACK DISPLAY FRAME NPR | |
| | 17000772 | 996530069789 | BLACK FRONT CASING COVER V2 NPR FROM S/N. TW901136442240 TO S/N TW901239414583 | | 16 | 421941300941 | 421941300941 | DISPLAY LCD 128X64 SMR | |
| | 11030536 | 996530072527 | MATT/BLACK FRONT CASING COVER V2 NPR FROM S/N . TW901239414584 | | 17 | 17001100 | 996530068682 | BLACK DISPLAY SUPPORT NPR | |
| | 20007062 | 996530070366 | KIT SIL.BOTTOM+FRONT CASING COVER V2 NPR UP TO S/N. TW 901136442239 | | 18 | 11026476 | 996530068755 | SIL.6BUTTONS TOUCH PANEL S/S.STEAM NPR/H FOR HD8752/05-22-23-25-41-49-61-71-83-87-89 | |
| | 11027971 | 996530070367 | SILVER FRONT CASING COVER V2 NPR FROM S/N. TW901136442240 TO S/N TW901239414583 | | | 11026293 | 996530068753 | SILVER 6BUTTONS TOUCH PANEL S/SCR.NPR/P FOR HD8751/04-06-11-12-14-15-19-23-41-43-47-88 | |
| | | | | | | 11029681 | 996530072495 | BLACK 6BUTTONS TOUCH PANEL S/SCR.NPR/P FOR HD8751/71 | |
| | | | | | 19 | 11025830 | 996530068721 | KYB - INTERFACE NPR/H-T FOR HD8752/05-22-23-25-41-49-61-83-87-89 | |
| | | | | | | 11025833 | 996530068666 | KYB - INTERFACE NPR/P FOR HD8751/04-06-11-12-14-15-19-23-41-43-47-71-88 | |
| | | | | | 20 | 11030078 | 996530071879 | BLACK DISPLAY KEYBOARD SUPPORT V2 NPR | |
| | | | | | 21 | 12000450 | 996530007819 | SCREW TCBR TORX 10 3,5X12 PLAST.ZN-N | |
| | | | | | 22 | 11028589 | 996530070369 | SS COF.DISPENS.FRONT PLATE NPR/H-TM ASS FOR HD8752/25-83-85-87-89 | |
| | | | | | 23 | 17000266 | 996530071774 | SS.L=22,6MM INT.BUSH FOR TEFLON TUBE D4 | |
| | | | | | 24 | 11031203 | 996530073357 | TEFL.TUBE 2X4 L=235+PLATE+2BUSH NPR ASSY FROM S/N TW901310150166 | |
| | | | | | 25 | 11029841 | 996530072491 | CRC COFF.DISPENSER FRONT INSERT NPR/H-T FOR HD8751/71 | |



PHILIPS

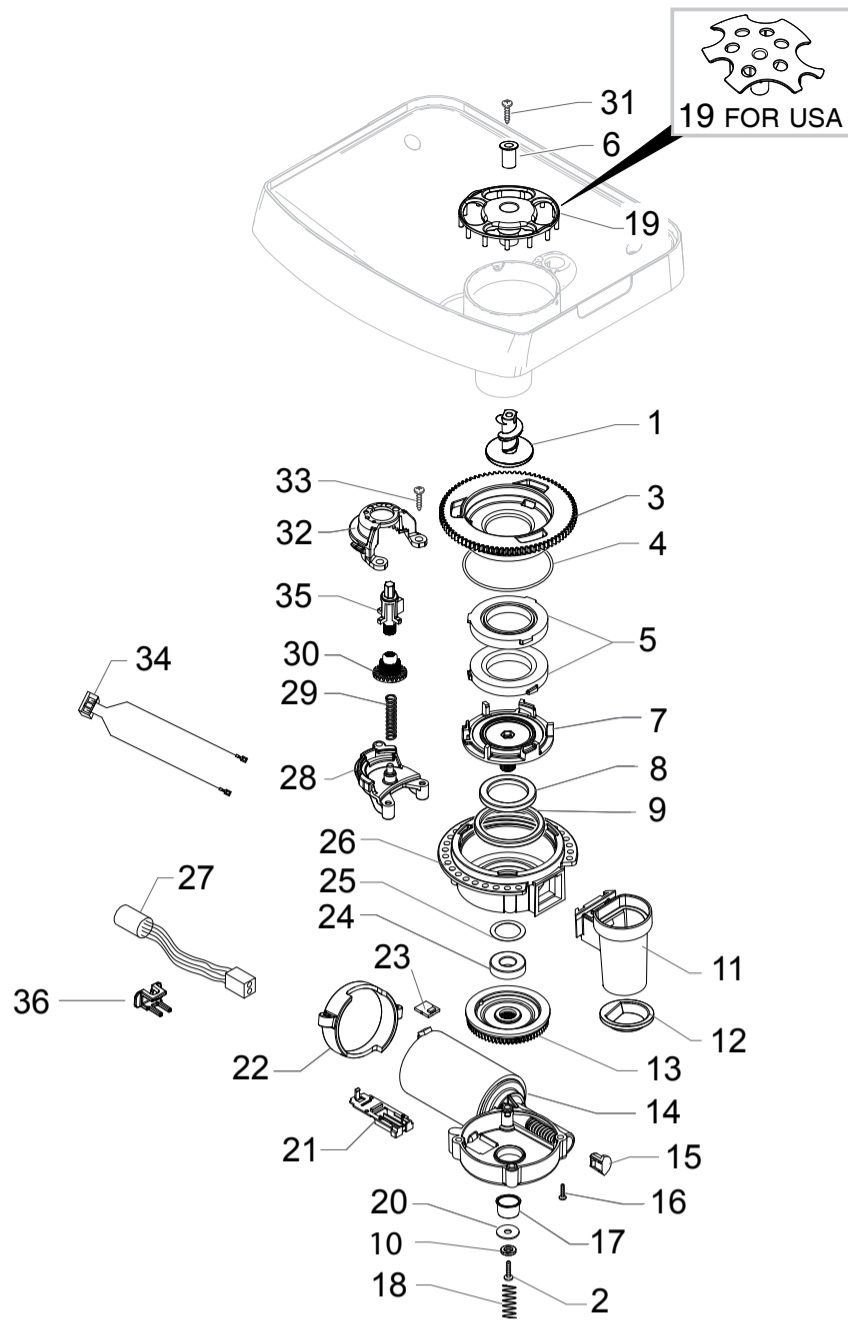
Saeco

HD8751/04-06-11-12-14-15-19-23-41-43-47
 HD8751/71-88 - HD8752/05-22-23-25
 HD8752/41-49-61
 HD8752/71-83-85-87-89



Cod.10004055-57-3844-46-882875114100-10003937-3845-4115-4058-59-56
 Cod. 882875171010-10004101-3936-3861-3935-4232-882875225630
 Cod.10003849-882875241020-10003860-882875249020-10003986
 Cod. 882875271100-10004102-882875285020-03-882875287740-10004104

| POS | CODE | 12NC | DESCRIPTION | NOTE | POS | CODE | 12NC | DESCRIPTION | NOTE |
|-----|-----------|--------------|--|------------|-----|-----------|---------------|--|---------------|
| 01 | 11001769 | 996530001012 | BLACK PANNARELLO COVER P0049 FOR HD8751/04-06-11-12-15-19-23-41-43-47-88 | | 32 | - | 421941284802 | GRY BOILER INSULATING COVER NPR | |
| | 11001621 | 996530000926 | SS PANNARELLO COVER P0049 FOR HDHD8751/14-71 | | 33 | JS01.022 | 996530057357 | SILICONE TUBE 5X10 60SH | IN ROLL |
| 02 | 11001620 | 996530000925 | BLACK PANNARELLO INNER TUBE P0049 | | 34 | 16000380 | 996530009505 | 5X8,9 SILICONE TUBE | IN ROLL |
| 03 | | 421941300671 | BLACK/SIL.STEAM TUBE HANDGRIP G0053 | | 35 | | 421944028161 | STEAM TUBE SUPPORT PPS P0057 | |
| 04 | 11027861 | 996530068662 | TF/CHROM.STEAM TUBE D=5,4 NPR ASSY. | | 36 | 12000450 | 996530007819 | SCREW TCBR TORX 10 3,5X12 PLAST.ZN-N | |
| 05 | 11011127 | 996530005979 | BLACK PA6 BUSH FOR STEAM TUBE P0057 | | 37 | 229363500 | 996530031599 | SILICONE TUBE 3,5X6 L=400 MM FOR HD8752/05-22-23-25-41-49-61-83-87-89 | |
| 06 | 140324461 | 996530013509 | OR ORM 0060-20 TERMOIL | | 38 | 17001459 | 996530068727 | BLK CAP.MILK TUBE CONNECT.D=1,05 NPR/H FOR HD8752/05-22-23-25-41-49-61-83-87-89 | |
| 07 | 11013894 | 996530006914 | BLACK FORK FOR STEAM TUBE GXSM | | 39 | 20007021 | 996530068684 | SPARES KIT SS/BLK CAPP.LOWER PART NPR/H FOR HD8752/05-22-23-25-41-49-61-83-87-89 | |
| 08 | 11024868 | 996530070371 | L-F/BRASS CONNECT.FOR ALUM.BOILER VALID UP TO S/N TW901409154215 | | 40 | 20007022 | 996530068692 | SPARES KIT SS/BLK CAPP.UPPER PART NPR/H FOR HD8752/05-22-23-25-41-49-61-83-87-89 | |
| 09 | 129823802 | 996530013077 | TCB SCREW M4X8 UNI 7687 ZNP | | 41 | 11026707 | 996530068055 | BLACK STEAM TUBE HANDGRIP S/SCR.NPR/H | |
| 10 | 11024038 | 996530067667 | BRASS 2WAY EV 21JN1RRV20-XT+LBV05024CU UP TO S/N TW901409154215 | | 42 | 16000540 | 996530009523 | TRANSPAR.10,5X12,3 SILICONE TUBE | |
| | - | 421944008781 | 2WAY EV OT57 G1/8 F.X PG D5,9 24V DC 10W FROM TO S/N TW901409154216 | | 43 | | 421941301142 | BLK STEAM TUBE INSERT V2 SMR/H FOR HD8752/25-41-49-87 | |
| 11 | 11024469 | 996530067632 | L-F/BRASS CONNECTOR FOR BOILER AURA | | 44 | - | 421944023801 | BLK CAPPUC.V3 SMR/H ASSY FOR HD8752/25-41-49-87 | |
| 12 | 17000114 | 996530068077 | FLOW SELECTOR FAUCET NPR | | | | 421944031491 | CHR CAPPUC.V3 SMR/H ASSY. FOR HD8752/71 | |
| 13 | 12000893 | 996530007948 | OR ORM 0120-20 BLACK EPDM | | 45 | | NOT AVAILABLE | BLK CAPPUC.CASING V2 SMR/H | SEE PART.N°44 |
| 14 | 11008104 | 996530004722 | MUSHROOM VALVE FOR FLOW SELECTOR P0057 | | 46 | NM01.028 | 996530059392 | O-RING 106 SILICONE | |
| 15 | 11008105 | 996530004723 | FLOW SELECTOR VALVE SUPPORT P0057 | | 47 | | NOT AVAILABLE | BLK CAPPUC.CASING COVER SMR/H ASSY. | SEE PART.N°44 |
| 16 | 11008077 | 996530004709 | STEEL FLOW SELECTOR VALVE SPRING P0057 | | 48 | - | 421941301121 | BLK CAPPUC.CASING COVER RING SMR/H | |
| 17 | 11008106 | 996530004724 | FLOW SELECTOR VALVE CAP P0057 | | 49 | - | 421941301131 | BLK CAPPUC.CASING SEAL SMR/H | |
| 18 | | 421941215942 | BLK SLIM/EXSL TUB.BOILER SUPPORT V2 | | 50 | 9972.045 | 996530051237 | SILICONE TUBE 3,5X6 L=350 MM DS | |
| 19 | 12001715 | 996530069758 | SCREW TCB TORX 20 M4X8 AUTOFORMING ZN-B | | 51 | 147922350 | 996530017377 | BLK CONNECTOR 90° FOR SPHERIC.CAPPUC | |
| 20 | 12001033 | 996530007973 | THERMOSTAT ONE SHOT 190° | | | | 11026286 | HP/SLIM TUB.BOILER STD 1900W 230V ASSY. | COMPLETE |
| 21 | 11001751 | 996530000997 | TUB.BOILER V3 UPPER THERM.FIXING SPRING | | | | 11026684 | SLIM TUB.BOIL.STD C1 T190° 1300W 120V AS | COMPLETE |
| 22 | 12001280 | 996530008024 | SCREW TSP TORX 10 5X20 PLAST.ZN-B | | | | | WITH PART.N°19 - 20 - 21 - 23 - 31 | |
| 23 | 17000346 | 996530068751 | HP/SLIM TUB.BOILER ASSY. 1900W 230 | 1900W 230V | | | | WITH PART.N°19 - 20 - 21 - 23 - 31 | |
| | | 11023153 | SLIM TUB.BOILER ASSY. 1300W 120V | 1300W 120V | | | | | |
| 24 | 11004689 | 996530002484 | TEA/BRASS SAFETY VALVE 16-18 BAR ASSY. | | | | | | |
| 25 | 149205850 | 996530018056 | BLACK TYPE ULKA PUMP W/BEVEL SUPPORT | | | | | | |
| 26 | - | 421941305991 | ULKA PUMP EP5FMGW 230V-50HZ | 230V-50HZ | | | | | |
| | | 12000182 | ULKA PUMP EP5/S GW 220V-60HZ | 220V-60HZ | | | | | |
| | | 12000142 | ULKA PUMP EAP5/S 120V-60HZ | 120V-60HZ | | | | | |
| 27 | | 421946000131 | 2P.CONN.PUMP V2 CLP UL ASSY. | | | | | | |
| 28 | - | 421946000141 | 3P.CONN.FLOWMETER V2 CLP UL ASSY. | | | | | | |
| 29 | NV99.099 | 996530059843 | TURBINE D=1,2 932-8521/00 ASSY. | | | | | | |
| 30 | 12000892 | 996530007947 | OETIKER CLAMP D=9,5 16700004 | | | | | | |
| 31 | 190800100 | 996530026997 | TEMPERATURE SENSOR NTC UL L=280MM | | | | | | |



PHILIPS

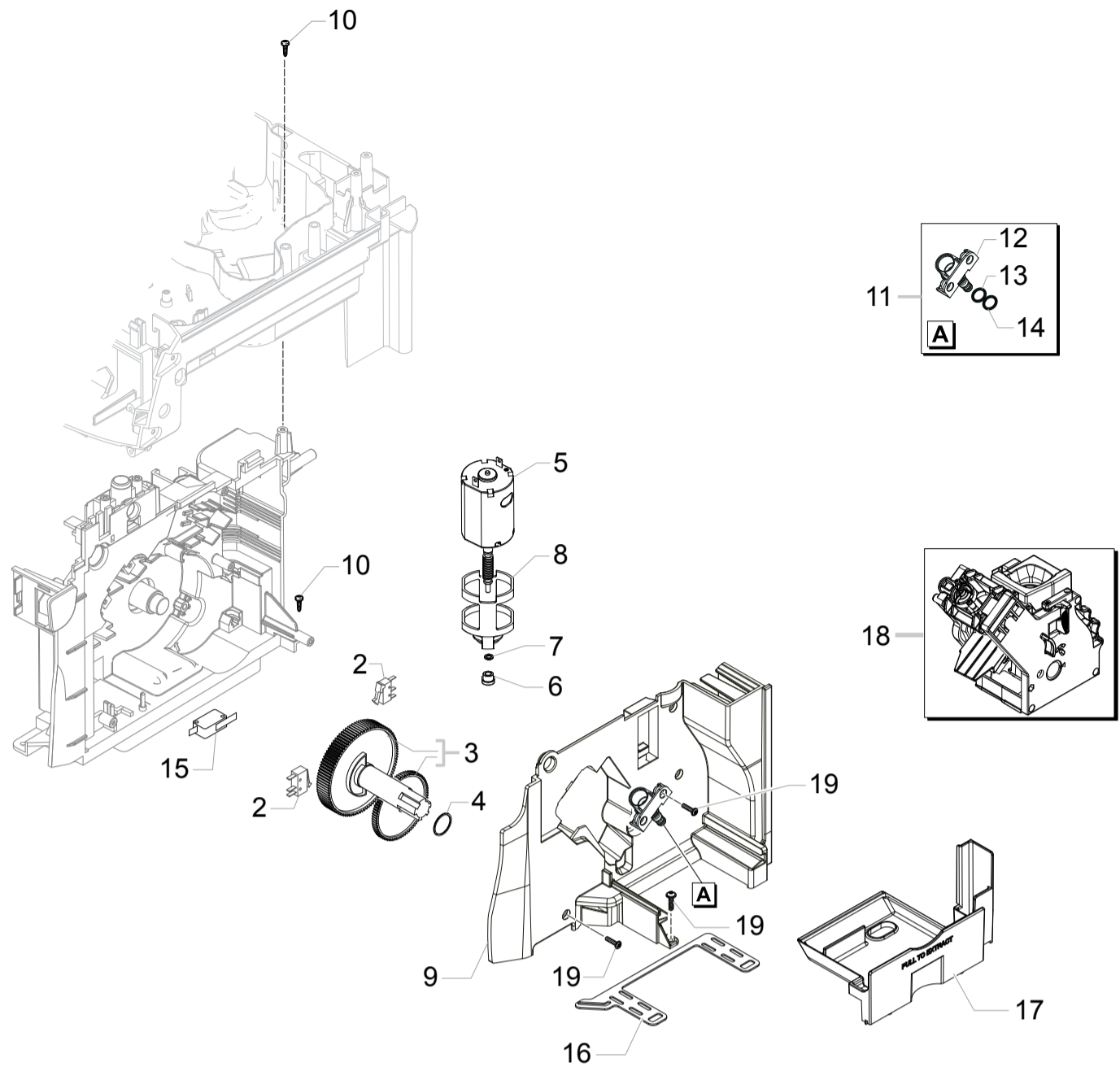
Saeco

HD8751/04-06-11-12-14-15-19-23-41-43-47
 HD8751/71-88 - HD8752/05-22-23-25
 HD8752/41-49-61
 HD8752/71-83-85-87-89



Cod.10004055-57-3844-46-882875114100-10003937-3845-4115-4058-59-56
 Cod. 882875171010-10004101-3936-3861-3935-4232-882875225630
 Cod.10003849-882875241020-10003860-882875249020-10003986
 Cod. 882875271100-10004102-882875285020-03-882875287740-10004104

| POS | CODE | 12NC | DESCRIPTION | NOTE | POS | CODE | 12NC | DESCRIPTION | NOTE |
|-----|-----------|--------------|--|----------|-----|----------|--------------|--|----------|
| 01 | 11010031 | 996530005586 | TEA/ZAMA INCREASE SCREW GRINDER | | 34 | | 421946000121 | 2P.CONN.COF.GRINDER MOTOR V2 NPR UL ASSY | |
| | 11024208 | 996530066712 | TEA SHORT ZAMA INCREASE SCREW GRINDER ONLY USA | | 35 | 11003446 | 996530001673 | BLACK BEAN COFFEE GRINDER INSERT P0049 | |
| 02 | 129574802 | 996530012928 | SCREW TCB TORX 20 M4X30 ZN-B | | 36 | 17001921 | 996530072477 | BLK WIRING FIX INSERT FOR GRINDER BOARD | |
| 03 | | 421941094152 | BLK COF.GRINDER UPPER GRINDER SUPPORT V2 | | | | | | |
| 04 | 140328960 | 996530013577 | OR ORM 0530-15 NBR FDA | | | 11026298 | 996530068697 | GEN.MOTOR COFFEE GRINDER NPR ASSY. | 230V |
| 05 | 146520100 | 996530016342 | BAKED CLAY GRINDER 48X28 | | | | 421944035921 | GEN.MOTOR COF.GRINDER NPR 230V CHN ASSY. | ONLY CHN |
| 06 | 11012466 | 996530006412 | BRASS BUSH BEAN CONT.FINGER PROTEC.P0057 | | | 11028279 | 996530071878 | GEN.MOTOR COFFEE GRINDER NPR ASSY. | 120V |
| 07 | 149198350 | 996530017952 | BLK LOWER COFFEEGRINDER GRINDER SUPPORT | | | | | | |
| 08 | 123030300 | 996530011183 | AXIAL BEARING EKKO 342.35252 | | | | | | |
| 09 | 140360500 | 996530013597 | FELT RING 45,4X39,4X4 | | | | | | |
| 10 | 128310402 | 996530012341 | GALV.WASHER UNI 8842 A4 | | | | | | |
| 11 | 11026355 | 996530068049 | BLK GROUND COFF.OUTLET CONVEYOR V4 ASSY. | | | | | | |
| 12 | 145854462 | 996530015959 | BLK GROUND COFFEE CONT.LOWER SEAL SMART1 | | | | | | |
| 13 | 226000300 | 996530029609 | GEAR SX Z=38 FOR GRINDER MOTION ASSY. | | | | | | |
| 14 | 11000513 | 996530000317 | MOTOR COFFEEGRINDER V3.1 230V ASSY. | 230V | | | | | |
| | | 421944035341 | MOTOR COFFEEGRINDER V3.1 230V CHN ASSY. | ONLY CHN | | | | | |
| | | 421941305001 | MOTOR COFFEEGRINDER V3.1 120V ASSY. | 120V | | | | | |
| 15 | 149214800 | 996530018139 | MC V3 MOD=1,25 WORM SCREW CENTRING CAP | | | | | | |
| 16 | 129661702 | 996530012992 | SCREW TCB TORX 3,5X30 PLAST.ZN-B | | | | | | |
| 17 | 11002873 | 996530001389 | INSULATOR BUSH FOR GRINDER MOTOR P124 | | | | | | |
| 18 | 11000597 | 996530000376 | COFFEE GRINDER SUPPORT SPRING P124 | | | | | | |
| 19 | 11014285 | 996530007058 | BLK V2 BEAN CONTAIN.FINGER PROTECT.P0057 | | | | | | |
| | | 421944001511 | TRANS.BEAN CONT.FINGER PROTECT.V3 NPR UL | ONLY USA | | | | | |
| 20 | 128381902 | 996530012375 | STEEL FLAT WASHER DI=4,3 DE=14 SP=1,5 | | | | | | |
| 21 | 149199050 | 996530017963 | BLK SENSOR SUPPORT FOR COF.GRINDER MOTOR | | | | | | |
| 22 | 11000194 | 996530000115 | BLACK COFFEEGRINDER MOTOR SUPPORT P124 | | | | | | |
| 23 | 181540900 | 996530022784 | ELECTR.BOARD WITH SENSOR HAL506 SF-K | | | | | | |
| 24 | 123030200 | 996530011182 | RADIAL BEARING 61900.2RS1 | | | | | | |
| 25 | 128381800 | 996530012374 | STEEL CRINKLE WASHER 21,8X14X0,25 | | | | | | |
| 26 | 142905450 | 996530015258 | BLK UPPER BODY WITH COFFEE GROUND OUTLET | | | | | | |
| | | 421946000091 | 3P.CONN.MC SENSOR V2 NPR UL ASSY. | | | | | | |
| 28 | 11002613 | 996530001314 | LOWER COFFEEGRINDER GEAR SUPPORT P124 | | | | | | |
| 29 | 11002572 | 996530001308 | COFFEEGRINDER REGULATION SPRING P124 | | | | | | |
| 30 | 11003784 | 996530001907 | COFFEE GRINDING ADJUSTMENT GEAR P0049 | | | | | | |
| 31 | U043.004 | 996530061808 | ZN-B TCB SCREW M4X16 | | | | | | |
| 32 | 11002508 | 996530001296 | UPPER COFFEEGRINDER GEAR SUPPORT P124 | | | | | | |
| 33 | 129914002 | 996530013165 | SCREW TCB TORX 10 3,5X16 PLAST.ZN-B | | | | | | |



PHILIPS

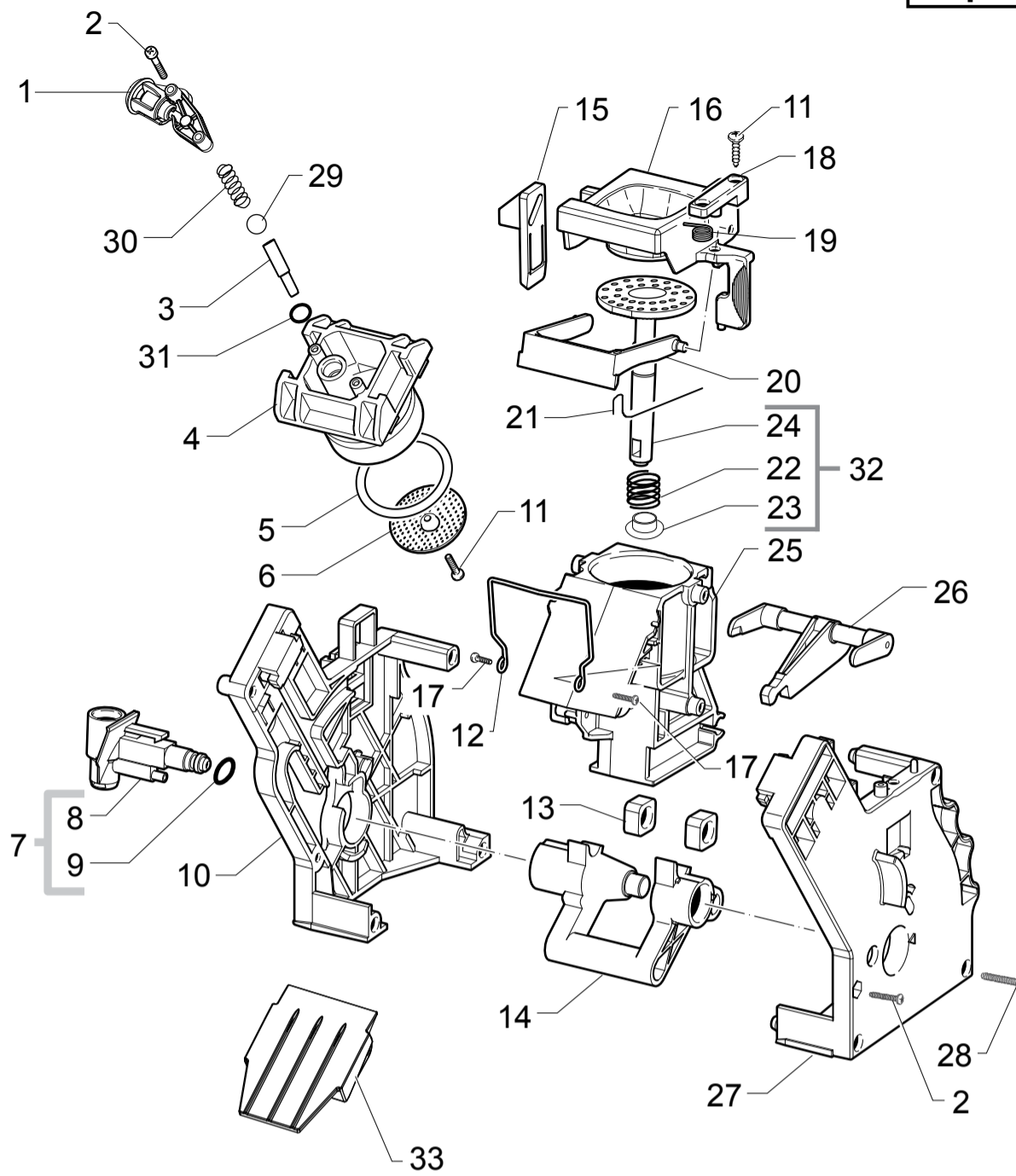
Saeco

HD8751/04-06-11-12-14-15-19-23-41-43-47
 HD8751/71-88 - HD8752/05-22-23-25
 HD8752/41-49-61
 HD8752/71-83-85-87-89



Cod.10004055-57-3844-46-882875114100-10003937-3845-4115-4058-59-56
 Cod. 882875171010-10004101-3936-3861-3935-4232-882875225630
 Cod.10003849-882875241020-10003860-882875249020-10003986
 Cod. 882875271100-10004102-882875285020-03-882875287740-10004104

| POS | CODE | 12NC | DESCRIPTION | NOTE | POS | CODE | 12NC | DESCRIPTION | NOTE |
|-----|-----------|--------------|---|------|-----|------|------|-------------|------|
| 02 | 12001841 | 996530073474 | MICROSWITCH XC/V4D FOR HD8751/11-12-19-23-47-71-88-HD8752/22-23-25 HD8752/41-49-61-71-83-85-87-89 | | | | | | |
| | NE05.038 | 996530058869 | MICROSWITCH SAIA XCG5-81-P5 HD8751/04-06-14-15-41-43-HD8752/05 | | | | | | |
| 03 | 20000900 | 996530009913 | SPARES KIT GEARS FOR RATIOMOTOR V2 | | | | | | |
| 04 | 9161.132 | 996530050569 | MYLAR WASHER FOR RATIOMOTOR | | | | | | |
| 05 | 11005214 | 996530002796 | MOTOR FOR RATIOMOTOR P124 ASSY. | | | | | | |
| 06 | 9121.046 | 996530049898 | BRONZE SINTERED BUSH FOR MOTOR RATIOMOT. | | | | | | |
| 07 | 148380200 | 996530017424 | BAKELIZZATE WASHER D=5,5 | | | | | | |
| 08 | 9121.044 | 996530049896 | ANTIVIBRATION FOR MOTOR | | | | | | |
| 09 | 11003754 | 996530001899 | BLK RATIOMOT.MOUNTING PLATE COVER P0057 | | | | | | |
| 10 | 12000450 | 996530007819 | SCREW TCBR TORX 10 3,5X12 PLAST.ZN-N | | | | | | |
| 11 | | 421944060181 | PIN FOR FLOW SEL.FAUCET V2 PPS P0057 AS | | | | | | |
| 12 | | 421944059371 | PIN FOR FLOW SELECT.FAUCET PPS V2 P0057 | | | | | | |
| 13 | NM01.035 | 996530059399 | OR ORM 0090-20 SILICONE | | | | | | |
| 14 | NM01.057 | 996530059419 | OR ORM 0050-20 IN SILICONE | | | | | | |
| 15 | 12001890 | 996530073209 | MICROSWITCH XG/V3D FOR HD8751/11-12-19-23-47-71-88-HD8752/22-23-25 HD8752/41-49-61-72-83-85-87-89 | | | | | | |
| | NE05.013 | 996530058847 | MICROINT.SAIA XGK52-81-J23 FOR HD8751/04-06-14-15-41-43-HD8752/05 | | | | | | |
| 16 | 11013205 | 996530006688 | BLACK SEAL FOR RATIOMOTOR PLATE XSM | | | | | | |
| 17 | 17001336 | 996530068732 | GREY BREW UNIT DRAWER COFFEE NPR | | | | | | |
| 18 | | 421944053951 | BLK/YLW BREW UNIT 8GR.5BAR V4 HGO | | | | | | |
| 19 | | 421944016761 | SCREW TCBR TORX 10 3,5X12 PLAST.ZN-NI | | | | | | |



PHILIPS

Saeco

HD8751/04-06-11-12-14-15-19-23-41-43-47
 HD8751/71-88 - HD8752/05-22-23-25
 HD8752/41-49-61
 HD8752/71-83-85-87-89



Cod.10004055-57-3844-46-882875114100-10003937-3845-4115-4058-59-56
 Cod. 882875171010-10004101-3936-3861-3935-4232-882875225630
 Cod.10003849-882875241020-10003860-882875249020-10003986
 Cod. 882875271100-10004102-882875285020-03-882875287740-10004104

| POS | CODE | 12NC | DESCRIPTION | NOTE | POS | CODE | 12NC | DESCRIPTION | NOTE |
|-----|--------------|--------------|--|------|-----|------|------|-------------|------|
| 01 | 11009362 | 996530005415 | BLK COF.OUTLET SLEEVE BREW UNIT S0053 AS | | | | | | |
| 02 | 12000550 | 996530007838 | SCREW TCB TORX 10 3X25 PLAST.SS | | | | | | |
| 03 | 11009276 | 996530005372 | BLK COUNTER PISTON TUBE BREW UNIT S0053 | | | | | | |
| 04 | 11001840 | 996530001046 | BLACK COUNTER PISTON BREW UNIT 8GR.P124 | | | | | | |
| 05 | NM01.044 | 996530059406 | OR ORM 0320-40 SILICONE PTFE/FDA | | | | | | |
| 06 | 9161.268 | 996530050709 | PERCOLATOR DE=35,8 ELFO | | | | | | |
| 07 | 20000440 | 996530009825 | BLACK WATER INLET SLEEVE BREW UNIT ASSY. | | | | | | |
| 08 | 9161.064.050 | 996530050488 | BLACK WATER INLET SLEEVE BREW UNIT ROYAL | | | | | | |
| 09 | NM02.007 | 996530059441 | OR 2025 IN TERMOIL | | | | | | |
| 10 | 9161.375.050 | 996530050832 | BLACK BREW UNIT REAR PLATE SMART | | | | | | |
| 11 | 12000895 | 996530007951 | SCREW TSP TORX 10 3X10 PLAST.SS | | | | | | |
| 12 | 11001556 | 996530000898 | SS BREW UNIT SPRING H=49 SMART | | | | | | |
| 13 | 9161.094.050 | 996530050539 | BLACK BREW UNIT DRILLED BLOCK | | | | | | |
| 14 | | 421944051231 | YLW BREW UNIT ELBOW SHAFT M5000 | | | | | | |
| 15 | | 421944046931 | YLW BREW UNIT COUPLING PLATE V2 SMART | | | | | | |
| 16 | 149261350 | 996530018241 | BLACK HOPPER DOSER BREW UNIT SMART1 | | | | | | |
| 17 | 129912521 | 996530013148 | SCREW TCB TORX 10 3,5X14 PLAST.SS | | | | | | |
| 18 | | 421944050711 | YLW BREWUNIT HOPPER BLOCKING PLATE SMART | | | | | | |
| 19 | 9161.378 | 996530050838 | SS HOPPER SPRING FOR BREW UNIT SMART | | | | | | |
| 20 | 11004161 | 996530002096 | BLACK SCRAPER FOR BREW UNIT M5000 | | | | | | |
| 21 | 9161.046 | 996530050455 | SS SCRAPER SPRING FOR BREW UNIT | | | | | | |
| 22 | 9161.198 | 996530050627 | SS.8GR.BREW UNIT PISTON SPRING | | | | | | |
| 23 | 9161.191 | 996530050618 | WHITE 8GR.-12GR.BREW UNIT PISTON BUSH | | | | | | |
| 24 | | 421944025621 | BLK BREW UNIT INTEGR.PISTON 8GR.V3 ASSY. | | | | | | |
| 25 | | 421944014611 | BLK COF.CONTAIN.BREW UNIT V2 M5000 ASSY. | | | | | | |
| 26 | 11003078 | 996530001452 | BLACK CONNECTING ROD BREW UNIT 8GR. | | | | | | |
| 27 | 11005920 | 996530003228 | BLACK BREW UNIT FRONT PLATE S/SCR.SMART | | | | | | |
| 28 | 12000897 | 996530007953 | SCREW TCB TORX 10 3,5X20 PLAST.SS | | | | | | |
| 29 | | 421944034451 | BOROSILICATE SPHERE D.5 MM | | | | | | |
| 30 | 11012095 | 996530006305 | SS COFFEE UNIT CONTERPISTON SPRING S0053 | | | | | | |
| 31 | 140328761 | 996530013575 | OR ORM 0060-15 TERMOIL | | | | | | |
| 32 | | 421944029791 | BLK BREW UNIT 8GR.INT.PISTON GEN.V3 ASSY | | | | | | |
| 33 | 17000663 | 996530073322 | BLK BREW UNIT CONVEYOR SLIDE L=76,8 | | | | | | |
| | | 421944053951 | BLK/YLW BREW UNIT 8GR.5BAR V4 HGO | | | | | | |