

PHILIPS

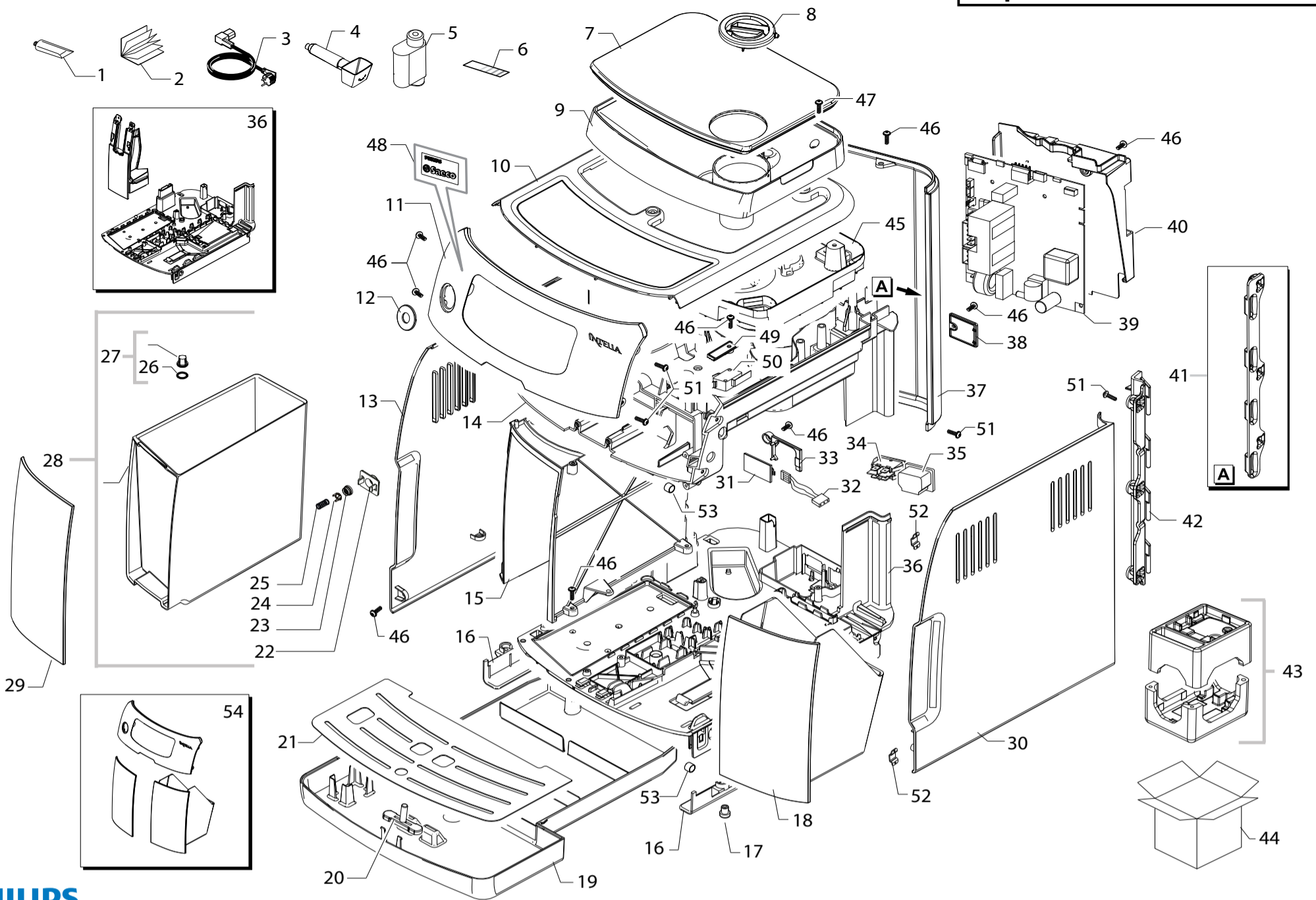
Saeco

HD8751/04-06-11-12-14-15-19-23-41-43-47
 HD8751/71-88 - HD8752/05-22-23-25
 HD8752/41-49-61
 HD8752/71-83-85-87-89



Cod.10004055-57-3844-46-882875114100-10003937-3845-4115-4058-59-56
 Cod. 882875171010-10004101-3936-3861-3935-4232-882875225630
 Cod.10003849-882875241020-10003860-882875249020-10003986
 Cod. 882875271100-10004102-882875285020-03-882875287740-10004104

POS	CODE	12NC	DESCRIPTION	NOTE	POS	CODE	12NC	DESCRIPTION	NOTE
01	11028379	996530070318	PSA KLUBER TRIBOSTAR SIL 2 TUBE 5GR.		10		421941301461	M/BLK UPPER CASING COVER V2 NPR/B-P	
02	-	421946009281	MANUAL V2 PSA HD8751 NPR/P GB	USA				FROM S/N . TW901239414584	
	-	421946009301	MANUAL V2 PSA HD8751 NPR/P FR	USA				FOR HD8751/04-06-11-12-15-19-23-41-43-47-71-88	
	-	421946009311	MANUAL V2 PSA HD8751 NPR/P ES	USA			421941301471	G/ANT.UPPER CASING COVER V2 NPR/B-P	
15002987		996530070364	MANUAL PSA HD8751 NPR/P CHN					FOR HD8751/71	
	-	421946005881	MANUAL V2 PSA HD8752 NPR/H GB	USA	11029860			SB/SS-ANT.UPPER CASING COVER NPR/H ASSY.	
	-	421946005901	MANUAL V2 PSA HD8752 NPR/H FR	USA				FOR HD8752/85	
	-	421946005911	MANUAL V2 PSA HD8752 NPR/H ES	USA	11	11026478	996530068756	SILVER FRONT PANEL S/SCR.NPR/H-P	
15002989		996530071975	MANUAL PSA HD8752 NPR/H CHN					UP TO S/N . TW901239414583	
15003074		996530072425	MANUAL PSA HD8751 NPR/P PT/BRA		11030526	996530072905	996530072905	SILVER FRONT PANEL S/SCR.NPR/H-P	
03	-	421946001591	BLK POWER CABLE SCHUKO L=800					FROM S/N . TW901239414584	
183940650		996530025872	BLACK POWER CABLE AUSTRALIA L=1200					FOR HD8752/05-22-23-41-49	
183930650		996530025858	POWER CABLE CH BLACK 3X1 H05VV-F L=1200		11026295	996530068754	996530068754	BLK FRONT PANEL S/SCR.INTEL.NPR/H-P	
11004247		996530002167	BLACK POWER CABLE RVV 3X1 CHINA L=1200					UP TO S/N .TW901239414583 - FOR HD8751/04-06	
11001985		996530001089	BLACK POWER CABLE KOREA L=1200		11030590	996530072885	996530072885	MATT/BLACK FRONT PANEL S/SCR.NPR/H-P	
183970350		996530025882	BLACK POWER CABLE UK L=1200					FROM S/N .TW901239414584 - FOR HD8751/04-06	
183921950		996530025843	POWER CABLE SJT3 USA BLACK UL L=1200		11030230	996530072908	996530072908	SS FRONT PANEL V2 S/SCR.NPR/HM ASSY.	
11004246		996530002166	BLACK POWER CABLE TAIWAN HVCTF L=1200					FOR HD8752/25-35-83-87-89	
17800330		996530069926	BLACK POWER CABLE BRAZIL L=1200	BRA 120V	11030171	996530072803	996530072803	SS FRONT PANEL S/SCR.NEW NPR/HM ASSY.	
17800019		996530009627	BLACK POWER CABLE BRAZIL L=1200	BRA 230V				FOR HD8752/85	
04		421944033301	BLK ABS COFFEE MEASURE SMART		12	11026290	996530068757	CHROM.FRONT PANEL CAP NPR/H-P	
05	21002051	996530071783	ACC PSA MAVEA WATER FILTER 1UNIT	USA-BRA				FOR HD8751/71-HD8752/05-22-23-25-41-49	
06	0301.961	996530039604	STICKER FOR WATER HARDNESS TEST		11026768	996530068759	996530068759	BLACK FRONT PANEL CAP NPR/H-P	
07	17001245	996530068681	NAT/GREY BEAN COFFEE CONTAIN.LID NPR/H-T					UP TO S/N . TW901239414583	
			FOR HD8752/05-22-23-25-41-49-61-83-85-87-89		11030533	996530072903	996530072903	MATT/BLACK FRONT PANEL CAP NPR/H-P	
		421944058821	TR/GRY BEAN C.CONT.LID V2 NP5/P-H-T					FROM S/N . TW901239414584	
			FOR HD8751/04-06-11-12-14-15-19-23-41-43-47-71-88		13	17001299	996530068729	BLACK LEFT SIDE CASING NPR	
08	17001244	996530068685	NAT/GREY GROUND COFFEE HOPPER LID NPR		14	11030130	996530072415	BLK COFFEE GRINDER SUPP.PLATE V2 NPR/H-P	
09	17001234	996530068743	NAT/GREY BEAN COFFEE CONTAINER NPR		15	17001114	996530068752	BLACK CASING BOTTOM INSERT NPR	
10	20007023	996530068677	SPARES KIT SS/BLK UPPER CASING COV.NPR/H					FOR HD8751/04-06-11-12-14-15-19-23-41-43-47-71	
			UP TO S/N . TW901239414583					HD8752/25-61-83-85-87-89	
			FOR HD8752/05-22-23-25-41-49-61-83-87-89						
	11030729	996530072896	BA/SS-MATT/BLK UPP.CASING COV.NPR/H ASSY						
			FROM S/N . TW901239414584						
			FOR HD8752/05-22-23-41-49-61						
	11030769	996530072906	SB/SS-MATT/BLK UPP.CASING COV.NPR/H ASSY						
			FROM S/N . TW901239414584						
			FOR HD8752/25-71-83-87-89						
	17001287	996530068703	BLACK UPPER CASING COVER NPR/P						
			UP TO S/N . TW901239414583						
			FOR HD8751/04-06-11-12-15-19-23-41-43-47-71-88						



PHILIPS

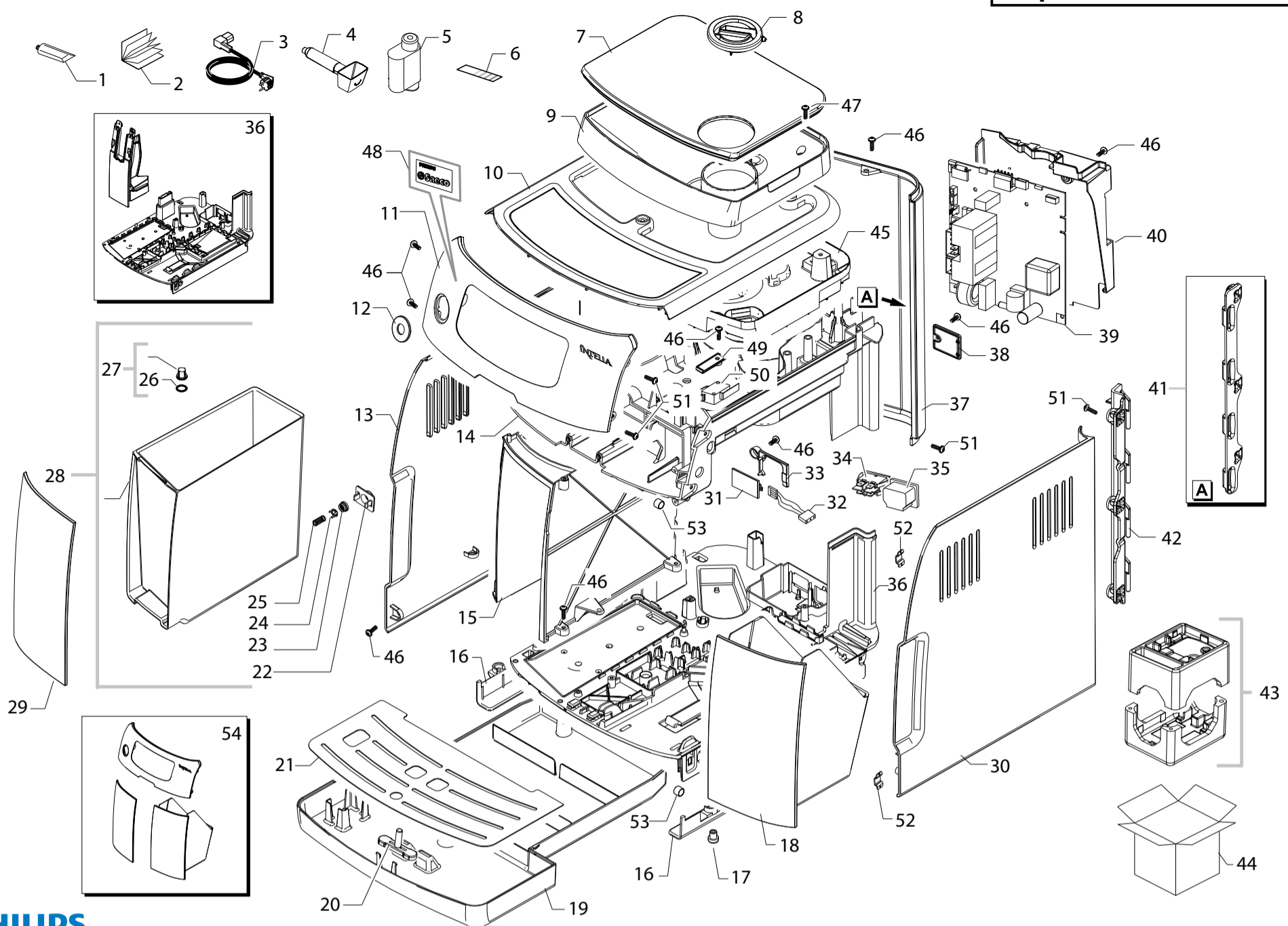
Saeco

HD8751/04-06-11-12-14-15-19-23-41-43-47
 HD8751/71-88 - HD8752/05-22-23-25
 HD8752/41-49-61
 HD8752/71-83-85-87-89



Cod.10004055-57-3844-46-882875114100-10003937-3845-4115-4058-59-56
 Cod. 882875171010-10004101-3936-3861-3935-4232-882875225630
 Cod.10003849-882875241020-10003860-882875249020-10003986
 Cod. 882875271100-10004102-882875285020-03-882875287740-10004104

POS	CODE	12NC	DESCRIPTION	NOTE	POS	CODE	12NC	DESCRIPTION	NOTE
15	11027799	996530068712	GREYCASING BOTTOM INSERT NPR FOR HD8752/05-08-22-23-41-49-71		26	140328461	996530013571	OR ORM 0190-10 EPDM	
16	17001110	996530068723	BLACK DRIP TRAY GUIDE NPR		27	224640200	996530029115	WHITE WATER CONTAINER EXT.FILTER ASSY.	
17	147622800	996530016875	TRANSPARENT SILICONE FOOT UP TO S/N TW901420291211		28	11026289	996530068674	NAT/GREY WATER CONTAINER NPR ASSY.	
		421324705256	FOOT FROM S/N TW901420291212		29	11026473	996530068679	SILVER WATER TANK FRONT COVER NPR UP TO S/N . TW901239414583	
18	11026472	996530068718	SILVER DUMP BOX NPR/H-P UP TO S/N .TW901239414583 FOR HD8752/05-22-23-41-49			11030559	996530072907	SILVER WATER TANK FRONT COVER NPR FROM S/N . TW901239414584 FOR HD8752/05-22-23-41-49	
	11030555	996530072904	SILVER DUMP BOX NPR/H-P FROM S/N . TW901239414584 FOR HD8752/05-22-23-41-49				NOT AVAILABLE	BLACK WATER TANK FRONT COVER NPR UP TO S/N .TW901239414583 - FOR HD8751/04-06-11 HD8751/12-14-15-19-23-41-43-47-88- HD8752/61	SEE POS.54
		NOT AVAILABLE	BLK DUMP BOX NPR/H-P UP TO S/N .TW901239414583 - FOR HD8751/04-06-11 HD8751/12-14-15-19-23-41-43-47-88-HD8752/61	SEE POS.54		11030535	996530072456	MATT/BLACK WATER TANK FRONT COVER NPR FROM S/N .TW901239414584 - FOR HD8751/04-06-11 HD8751/12-14-15-19-23-41-43-47-88- HD8752/61	
	11030534	996530072525	MATT/BLACK DUMP BOX NPR/H-P FROM S/N .TW901239414584 - FOR HD8751/04-06-11 HD8751/12-14-15-19-23-41-43-47-88-HD8752/61			11028561	996530070361	SS WATER TANK FRONT COVER NPR/HM ASSY. FOR HD8752/25-83-87-89	
	11028562	996530070355	SS DUMP BOX NPR/HM ASSY. FOR HD8752/25-83-87-89			11029853	996530072452	G/ANT.WATER TANK FRONT COVER NPR FOR HD8751/71 HD8752/71	
	11029854	996530073359	G/ANT.DUMP BOX NPR/H-P FOR HD8751/71 HD8752/71		30		421944040591	M/BLK RIGHT SIDE DOOR V4 NPR	
19	17001105	996530068696	BLACK DRIP TRAY NPR/H-P UP TO S/N .TW901239414583		31	11003232	996530001522	AS.CPU+SW WATER LEVEL SENSOR V2	230V
	11030489	996530072526	MATT/BLACK DRIP TRAY NPR/H-P FROM S/N . TW901239414584		31	11000651	996530000425	WATER LEVEL SENSOR BOARD P124	120V
	17001637	996530072533	BLK DRIP TRAY V2 NPR/H-P FOR HD8752/85		32	-	421946000081	3P.CONN.WATER LEVEL V2 CLP UL ASSY.	
20	11013184	996530006683	RED FLOAT FOR DRIP TRAY XSM		33	17001179	996530068749	BLK CAPACIT.SENSOR LOCKING INSERT NPR	
21	11027821	996530068683	BA/SS GRATE FOR DRIP TRAY NPR/H FOR ALL EXCEPT HD8752/25-83-87-89		34	NE03.038	996530058836	BIPOLAR SWITCH FUSIT C1250AR FOR HD8751/04-06-15-43-05	
	11029600	996530070357	SB/SS GRATE FOR DRIP TRAY NPR/H FOR HD8752/25-83-87-89			-	242212625107	SWI POW 2P 16A 250V FASTON IEC 1552 B FROM S/N TW901405083069 DELETED IN HD8751/11-12-14-19-47-71-88-HD8752/41-49	
	17001635	996530072536	SB/SS GRATE FOR DRIP TRAY V2 NPR/H-P FOR HD8752/85				NOT AVAILABLE	BLK CASING BOTTOM V3A NPR/T FROM S/N TW901136442239	
22	11001298	996530000733	BLACK LID FOR DUCKBILL VALVE P0049		35	12001883	996530072437	CUP SOCKET V3 EN 60320 C 13	
23	11003671	996530001829	TRANSP.VALVE FOR WATER CONTAINER P0049		36	20007061	996530070363	KIT BLK BOTTOM+FRONT CASING COVER V2 NPR UP TO S/N.TW901136442239 - FOR HD8751/04-06-11 HD8751/12-14-15-19-23-41-43-47-88 HD8752/61	
24		421941157852	GRY WATER CONTAINER VALVE INSERT P0049			20007062	996530070366	KIT SIL.BOTTOM+FRONT CASING COVER V2 NPR UP TO S/N. TW901136442239 FOR HD8752/05-22-23-41-49	
25	11003672	996530001831	SS SPRING FOR WATER CONTAIN.VALVE P0049			-	NOT AVAILABLE	BLK CASING BOTTOM V3A NPR/T	
					37	17001240	996530068714	BLACK REAR CASING NPR	
					38	17001484	996530068728	BLACK REAR CASING PROGRAM.INSERT NPR	



PHILIPS

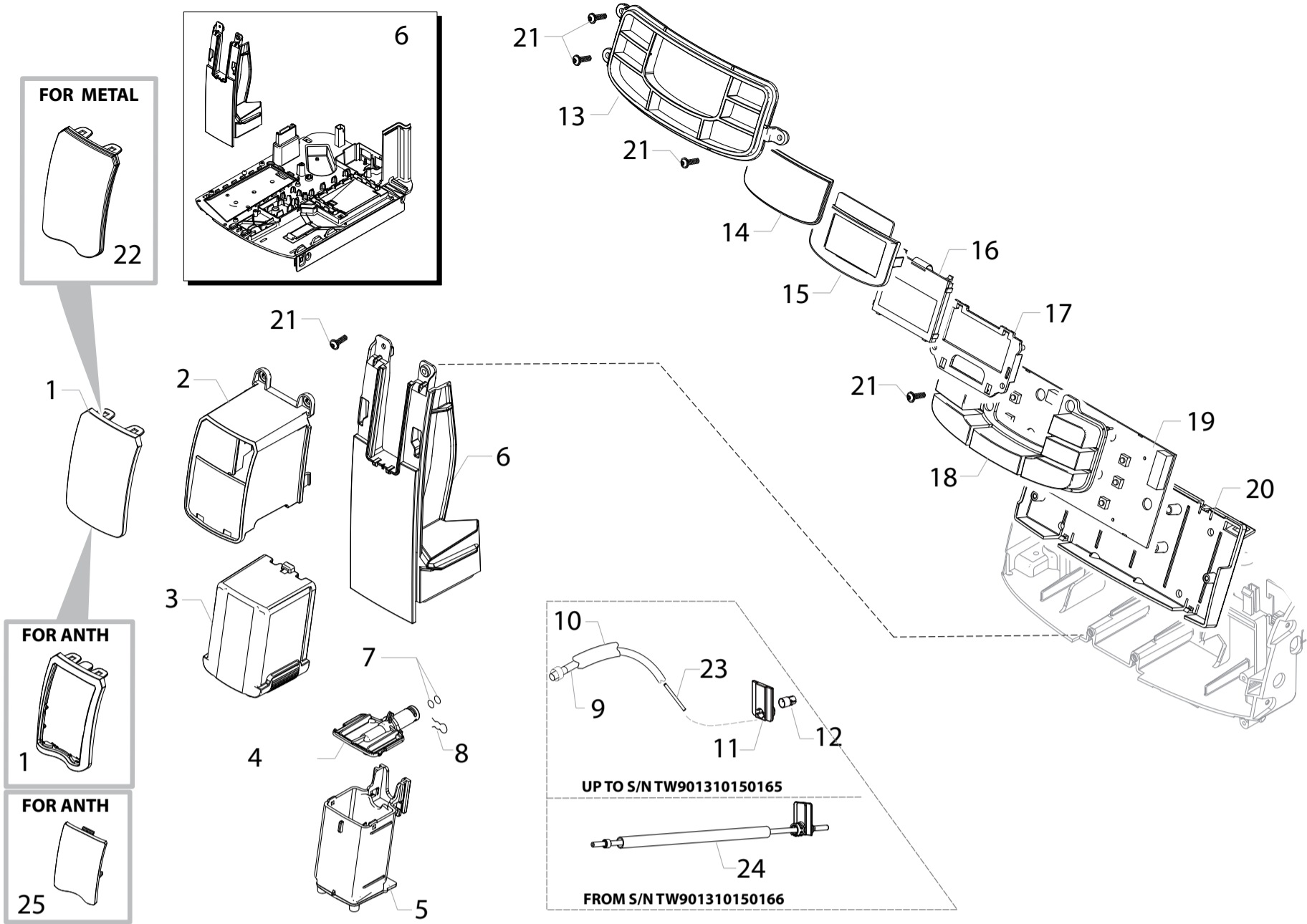
Saeco

HD8751/04-06-11-12-14-15-19-23-41-43-47
 HD8751/71-88 - HD8752/05-22-23-25
 HD8752/41-49-61
 HD8752/71-83-85-87-89



Cod.10004055-57-3844-46-882875114100-10003937-3845-4115-4058-59-56
 Cod. 882875171010-10004101-3936-3861-3935-4232-882875225630
 Cod.10003849-882875241020-10003860-882875249020-10003986
 Cod. 882875271100-10004102-882875285020-03-882875287740-10004104

POS	CODE	12NC	DESCRIPTION	NOTE	POS	CODE	12NC	DESCRIPTION	NOTE
39	-	421941229373	CPU+SW V3 NPR/H-P 230V ASSY.						
	11028192	996530072419	AS.CPU+SW NPR/H-P 120V	120v					
40	-	421941200872	GRY PWR/CPU BOARD PROTECTION P0057	120v					
		421944017971	BLK PWR/CPU BOARD PROTECTION V2 P0057	230v					
41	-	421944022751	BLK HINGE FOR REAR CASING XSM						
42	-	421944022731	BLK HINGE FOR DOOR RIGHT SIDE XSM.						
43	20007020	996530068711	KIT PS-E INSERT FOR BOX NPR/H-P						
44	-	421944053751	DISPL.BOX DFX V3 NPR SAE INTEL.						
			FOR ALL EXCEPT HD8751/04-06-15-HD8751/05						
	13001339	996530067859	DISPL.BOX NPR/P PSA INTELIA FOCUS WE						
			FOR HD8751/04-06-15						
	13001353	996530068689	DISPL.BOX NPR/H PSA INTELIA CLASS WE						
			FOR HD8752/05						
45	-	421944002281	BLK COF.GRINDER SOUNDPROOFING V2 NPR						
46	12000450	996530007819	SCREW TCB TORX 10 3,5X12 PLAST.ZN-N						
47	129914002	996530013165	SCREW TCB TORX 10 3,5X16 PLAST.ZN-B						
48	11025026	996530068191	ADHES.SILVER PLATE LOGO PHILIPS-SAECO						
49	17000064	996530067437	BLK CAPACIT.SENSOR DEADLOCK INSERT XSM						
50	12001890	996530073209	MICROSWITCH XG/V3D						
51	12001728	996530070321	SCREW TCB TORX 10 3,5X12 PLAST.SS						
52	11013220	996530069857	STEEL PLATE FOR DOOR MAGNET XSM						
53	9161.111	996530050555	MAGNET FOR FLOAT SUPERAUT.						
54		421941307561	KIT SPARES AESTH.ITEMS INTELIA FOCUS BK						
			UP TO S/N . TW901239414583						



PHILIPS

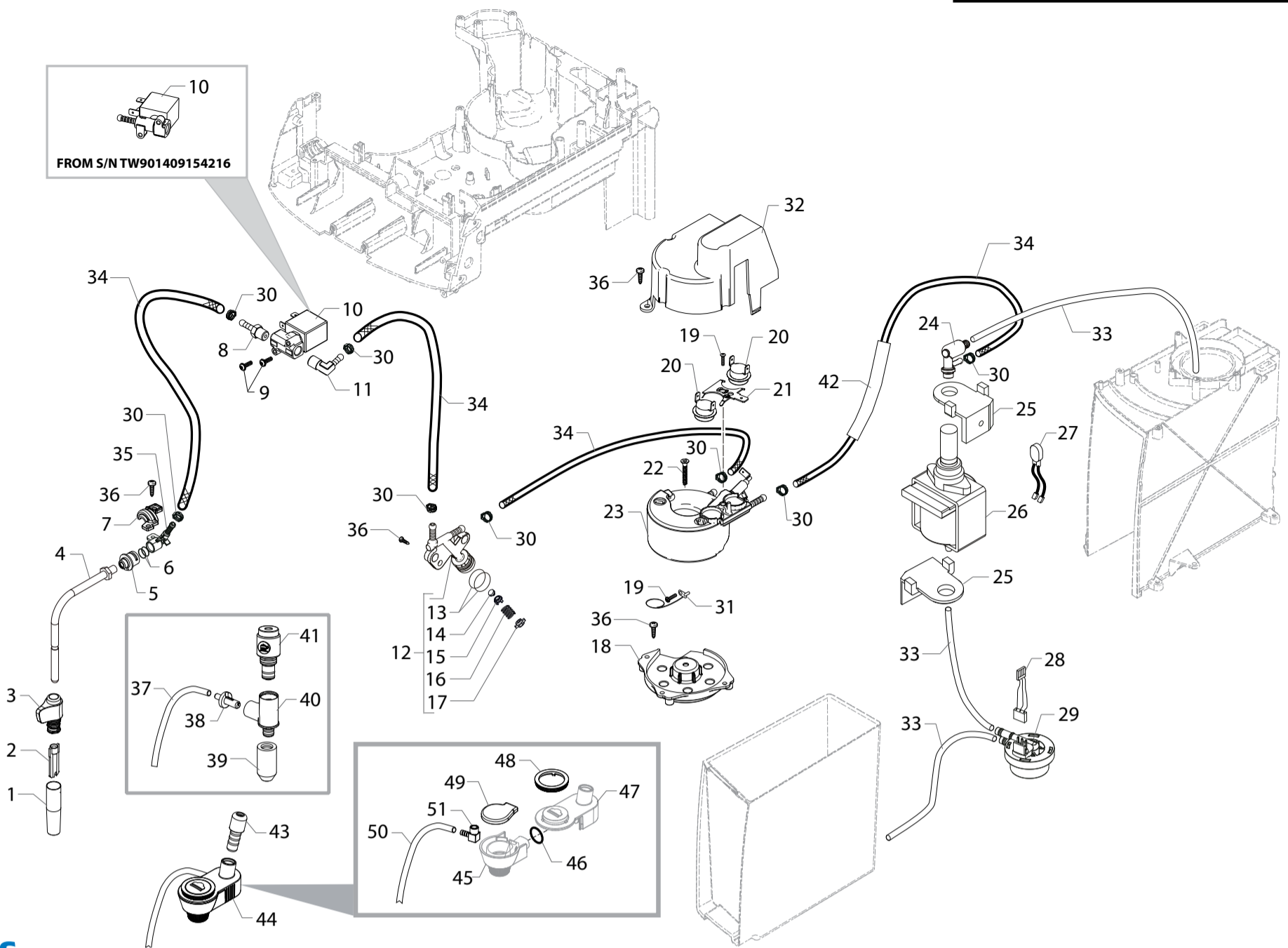
Saeco

HD8751/04-06-11-12-14-15-19-23-41-43-47
 HD8751/71-88 - HD8752/05-22-23-25
 HD8752/41-49-61
 HD8752/71-83-85-87-89



Cod.10004055-57-3844-46-882875114100-10003937-3845-4115-4058-59-56
 Cod. 882875171010-10004101-3936-3861-3935-4232-882875225630
 Cod.10003849-882875241020-10003860-882875249020-10003986
 Cod. 882875271100-10004102-882875285020-03-882875287740-10004104

POS	CODE	12NC	DESCRIPTION	NOTE	POS	CODE	12NC	DESCRIPTION	NOTE
01	11026471	996530068716	SILVER COF.DISPENSER FRONT PLATE NPR/H-P UP TO S/N . TW901239414583		06	11030562	996530072909	SILVER FRONT CASING COVER V2 NPR FROM S/N . TW901239414584	
	11030553	996530072911	SILVER COF.DISPENSER FRONT PLATE NPR/H-PS FROM S/N . TW901239414584			11028558	996530070368	SS FRONT CASING COVER NPR/HM ASSY. FOR HD8752/05-08-15-18-22-23-41-49	
	17001236	996530068665	BLK COFFEE DISPENSER FRONT PLATE NPR/H-P UP TO S/N . TW901239414583			11031363	996530073212	CRC FRONT CASING COVER V2 NPR FOR HD8751/71	
	11030532	996530072509	MATT/BLK COF.DISPENS.FRONT PLATE NPR/H-P FROM S/N . TW901239414584			11030564	996530072463	CRC FRONT CASING COVER V2 NPR FOR HD8752/71	
	11029779	996530072482	CHROM.COFF.DISPEN.FRONT PLATE V2 NPR/H-T FOR HD8751/71 HD8752/71		07	140328059	996530013564	OR 2015 SILICONE PTFE/FDA	
02	17001239	996530068699	BLACK COFFEE DISPENSER LID NPR UP TO S/N . TW901239414583		08	9011.144	996530048885	SS FORK FOR TUBE D=4	
	11030531	996530072512	MATT/BLACK COFFEE DISPENSER LID NPR FROM S/N . TW901239414584		09	11004132	996530002073	TEFLON TUBE 2X4 L=250 MM ASSY.	
	11031364	996530073213	CRC COFFEE DISPENSER LID NPR FOR HD8751/71		10	149361200	996530018278	BLACK SILICONE TUBE 7,5X9,3	
	11030529	996530072523	CRC COFFEE DISPENSER LID NPR FOR HD8752/71		11	11005100	996530002748	PLATE FOR BUSH TEFLON TUBE 2X4 P124	
	11030355	996530072499	G/ANT.COFFEE DISPENSER LID NPR FOR HD8752/85		12	11005101	996530002749	BLACK BUSH FOR TEFLON TUBE 2X4 P124	
03	17001242	996530068698	BLACK COFFEE DISPENSER MOBILE PART NPR		13	11029834	996530072465	CRC TOUCH PANEL FRAME NPR/H-P FOR HD8751/71-HD8752/05-22-23-25-41-49-61-71-83-87-89	
04	17001246	996530068742	BLACK COFFEE DISPENSER BODY LID NPR			11026294	996530068758	SILVER TOUCH PANEL FRAME NPR/H-P FOR HD8751/04-06-11-12-14-15-19-23-41-43-47-88	
05	17001894	996530071881	BLACK COFFEE DISPENSER BODY V2 NPR		14	17001112	996530068675	TRANSP.GLASS FOR DISPLAY NPR	
06	20007061	996530070363	KIT BLK BOTTOM+FRONT CASING COVER V2 NPR UP TO S/N. TW 901136442239		15	17001111	996530068673	BLACK DISPLAY FRAME NPR	
	17000772	996530069789	BLACK FRONT CASING COVER V2 NPR FROM S/N. TW901136442240 TO S/N TW901239414583		16	421941300941	996530068682	DISPLAY LCD 128X64 SMR	
	11030536	996530072527	MATT/BLACK FRONT CASING COVER V2 NPR FROM S/N . TW901239414584		17	17001100	996530068682	BLACK DISPLAY SUPPORT NPR	
	20007062	996530070366	KIT SIL.BOTTOM+FRONT CASING COVER V2 NPR UP TO S/N. TW 901136442239		18	11026476	996530068755	SIL.6BUTTONS TOUCH PANEL S/S.STEAM NPR/H FOR HD8752/05-22-23-25-41-49-61-71-83-87-89	
	11027971	996530070367	SILVER FRONT CASING COVER V2 NPR FROM S/N. TW901136442240 TO S/N TW901239414583			11026293	996530068753	SILVER 6BUTTONS TOUCH PANEL S/SCR.NPR/P FOR HD8751/04-06-11-12-14-15-19-23-41-43-47-88	
						11029681	996530072495	BLACK 6BUTTONS TOUCH PANEL S/SCR.NPR/P FOR HD8751/71	
					19	11025830	996530068721	KYB - INTERFACE NPR/H-T FOR HD8752/05-22-23-25-41-49-61-83-87-89	
						11025833	996530068666	KYB - INTERFACE NPR/P FOR HD8751/04-06-11-12-14-15-19-23-41-43-47-71-88	
					20	11030078	996530071879	BLACK DISPLAY KEYBOARD SUPPORT V2 NPR	
					21	12000450	996530007819	SCREW TCBR TORX 10 3,5X12 PLAST.ZN-N	
					22	11028589	996530070369	SS COF.DISPENS.FRONT PLATE NPR/HT-TM ASS FOR HD8752/25-83-85-87-89	
					23	17000266	996530071774	SS.L=22,6MM INT.BUSH FOR TEFLON TUBE D4	
					24	11031203	996530073357	TEFL.TUBE 2X4 L=235+PLATE+2BUSH NPR ASSY FROM S/N TW901310150166	
					25	11029841	996530072491	CRC COFF.DISPENSER FRONT INSERT NPR/H-T FOR HD8751/71	



PHILIPS

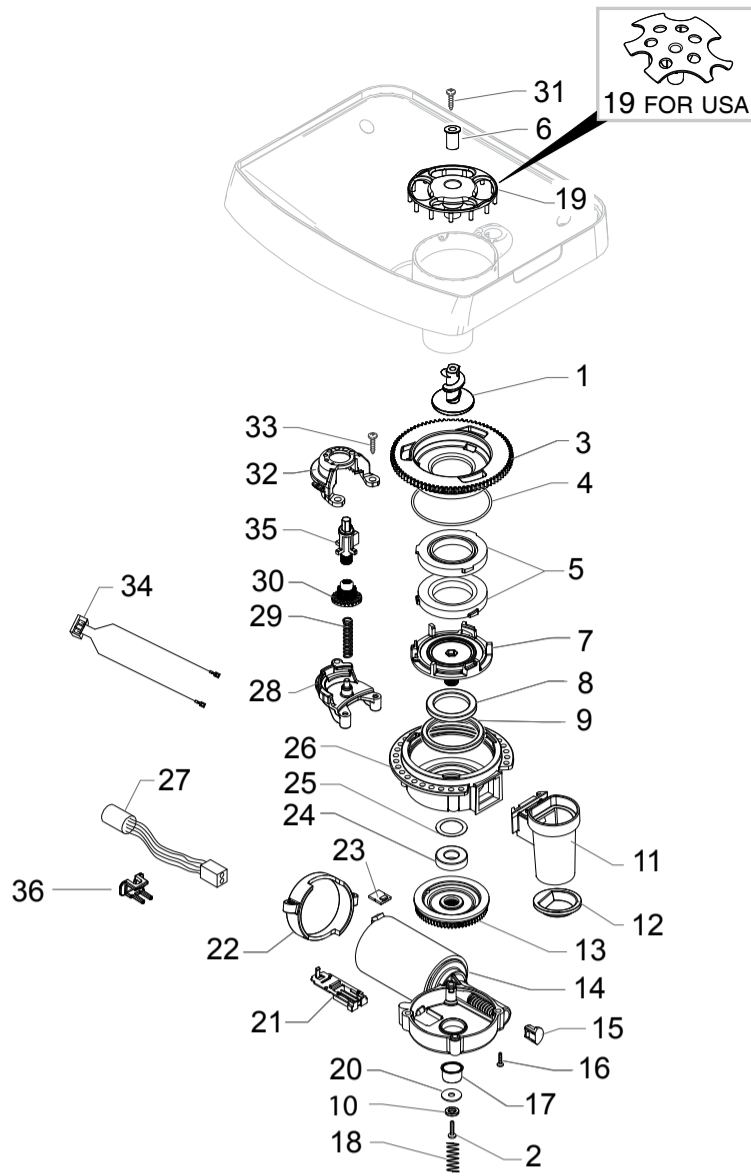
Saeco

HD8751/04-06-11-12-14-15-19-23-41-43-47
 HD8751/71-88 - HD8752/05-22-23-25
 HD8752/41-49-61
 HD8752/71-83-85-87-89



Cod.10004055-57-3844-46-882875114100-10003937-3845-4115-4058-59-56
 Cod. 882875171010-10004101-3936-3861-3935-4232-882875225630
 Cod.10003849-882875241020-10003860-882875249020-10003986
 Cod. 882875271100-10004102-882875285020-03-882875287740-10004104

POS	CODE	12NC	DESCRIPTION	NOTE	POS	CODE	12NC	DESCRIPTION	NOTE
01	11001769	996530001012	BLACK PANNARELLO COVER P0049 FOR HD8751/04-06-11-12-15-19-23-41-43-47-88		32	-	421941284802	GRY BOILER INSULATING COVER NPR	
	11001621	996530000926	SS PANNARELLO COVER P0049 FOR HD8751/14-71		33	JS01.022	996530057357	SILICONE TUBE 5X10 60SH	IN ROLL
02	11001620	996530000925	BLACK PANNARELLO INNER TUBE P0049		34	16000380	996530009505	5X8,9 SILICONE TUBE	IN ROLL
03		421941300671	BLACK/SIL.STEAM TUBE HANDGRIP G0053		35		421944028161	STEAM TUBE SUPPORT PPS P0057	
04	11027861	996530068662	TF/CHROM.STEAM TUBE D=5,4 NPR ASSY.		36	12000450	996530007819	SCREW TCBR TORX 10 3,5X12 PLAST.ZN-N	
05	11011127	996530005979	BLACK PA6 BUSH FOR STEAM TUBE P0057		37	229363500	996530031599	SILICONE TUBE 3,5X6 L=400 MM FOR HD8752/05-22-23-25-41-49-61-83-87-89	
06	140324461	996530013509	OR ORM 0060-20 TERMOIL		38	17001459	996530068727	BLK CAP.MILK TUBE CONNECT.D=1,05 NPR/H FOR HD8752/05-22-23-25-41-49-61-83-87-89	
07	11013894	996530006914	BLACK FORK FOR STEAM TUBE GXSM		39	20007021	996530068684	SPARES KIT SS/BLK CAPP.LOWER PART NPR/H FOR HD8752/05-22-23-25-41-49-61-83-87-89	
08	11024868	996530070371	L-F/BRASS CONNECT.FOR ALUM.BOILER VALID UP TO S/N TW901409154215		40	20007022	996530068692	SPARES KIT SS/BLK CAPP.UPPER PART NPR/H FOR HD8752/05-22-23-25-41-49-61-83-87-89	
09	129823802	996530013077	TCB SCREW M4X8 UNI 7687 ZNP		41	11026707	996530068055	BLACK STEAM TUBE HANDGRIP S/SCR.NPR/H	
10	11024038	996530067667	BRASS 2WAY EV 21JN1RRV20-XT+LBV05024CU UP TO S/N TW901409154215		42	16000540	996530009523	TRANSPAR.10,5X12,3 SILICONE TUBE	
		421944008781	2WAY EV OT57 G1/8 F.X PG D5,9 24V DC 10W FROM TO S/N TW901409154216		43		421941301142	BLK STEAM TUBE INSERT V2 SMR/H FOR HD8752/25-41-49-87	
11	11024469	996530067632	L-F/BRASS CONNECTOR FOR BOILER AURA		44	-	421944023801	BLK CAPPUC.V3 SMR/H ASSY FOR HD8752/25-41-49-87	
12	17000114	996530068077	FLOW SELECTOR FAUCET NPR				421944031491	CHR CAPPUC.V3 SMR/H ASSY. FOR HD8752/71	
13	12000893	996530007948	OR ORM 0120-20 BLACK EPDM		45		NOT AVAILABLE	BLK CAPPUC.CASING V2 SMR/H	SEE PART.N°44
14	11008104	996530004722	MUSHROOM VALVE FOR FLOW SELECTOR P0057		46	NM01.028	996530059392	O-RING 106 SILICONE	
15	11008105	996530004723	FLOW SELECTOR VALVE SUPPORT P0057		47		NOT AVAILABLE	BLK CAPPUC.CASING COVER SMR/H ASSY.	SEE PART.N°44
16	11008077	996530004709	STEEL FLOW SELECTOR VALVE SPRING P0057		48	-	421941301121	BLK CAPPUC.CASING COVER RING SMR/H	
17	11008106	996530004724	FLOW SELECTOR VALVE CAP P0057		49	-	421941301131	BLK CAPPUC.CASING SEAL SMR/H	
18		421941215942	BLK SLIM/EXSL TUB.BOILER SUPPORT V2		50	9972.045	996530051237	SILICONE TUBE 3,5X6 L=350 MM DS	
19	12001715	996530069758	SCREW TCB TORX 20 M4X8 AUTOFORMING ZN-B		51	147922350	996530017377	BLK CONNECTOR 90° FOR SPHERIC.CAPPUC	
20	12001033	996530007973	THERMOSTAT ONE SHOT 190°				11026286	HP/SLIM TUB.BOILER STD 1900W 230V ASSY.	COMPLETE
21	11001751	996530000997	TUB.BOILER V3 UPPER THERM.FIXING SPRING				11026684	SLIM TUB.BOIL.STD C1 T190° 1300W 120V AS	COMPLETE
22	12001280	996530008024	SCREW TSP TORX 10 5X20 PLAST.ZN-B					WITH PART.N°19 - 20 - 21 - 23 - 31	
23	17000346	996530068751	HP/SLIM TUB.BOILER ASSY. 1900W 230	1900W 230V				WITH PART.N°19 - 20 - 21 - 23 - 31	
		11023153	SLIM TUB.BOILER ASSY. 1300W 120V	1300W 120V					
24	11004689	996530002484	TEA/BRASS SAFETY VALVE 16-18 BAR ASSY.						
25	149205850	996530018056	BLACK TYPE ULKA PUMP W/BEVEL SUPPORT						
26	-	421941305991	ULKA PUMP EP5FMGW 230V-50HZ	230V-50HZ					
		12000182	ULKA PUMP EP5/S GW 220V-60HZ	220V-60HZ					
		12000142	ULKA PUMP EAP5/S 120V-60HZ	120V-60HZ					
27		421946000131	2P.CONN.PUMP V2 CLP UL ASSY.						
28	-	421946000141	3P.CONN.FLOWMETER V2 CLP UL ASSY.						
29	NV99.099	996530059843	TURBINE D=1,2 932-8521/00 ASSY.						
30	12000892	996530007947	OETIKER CLAMP D=9,5 16700004						
31	190800100	996530026997	TEMPERATURE SENSOR NTC UL L=280MM						



PHILIPS

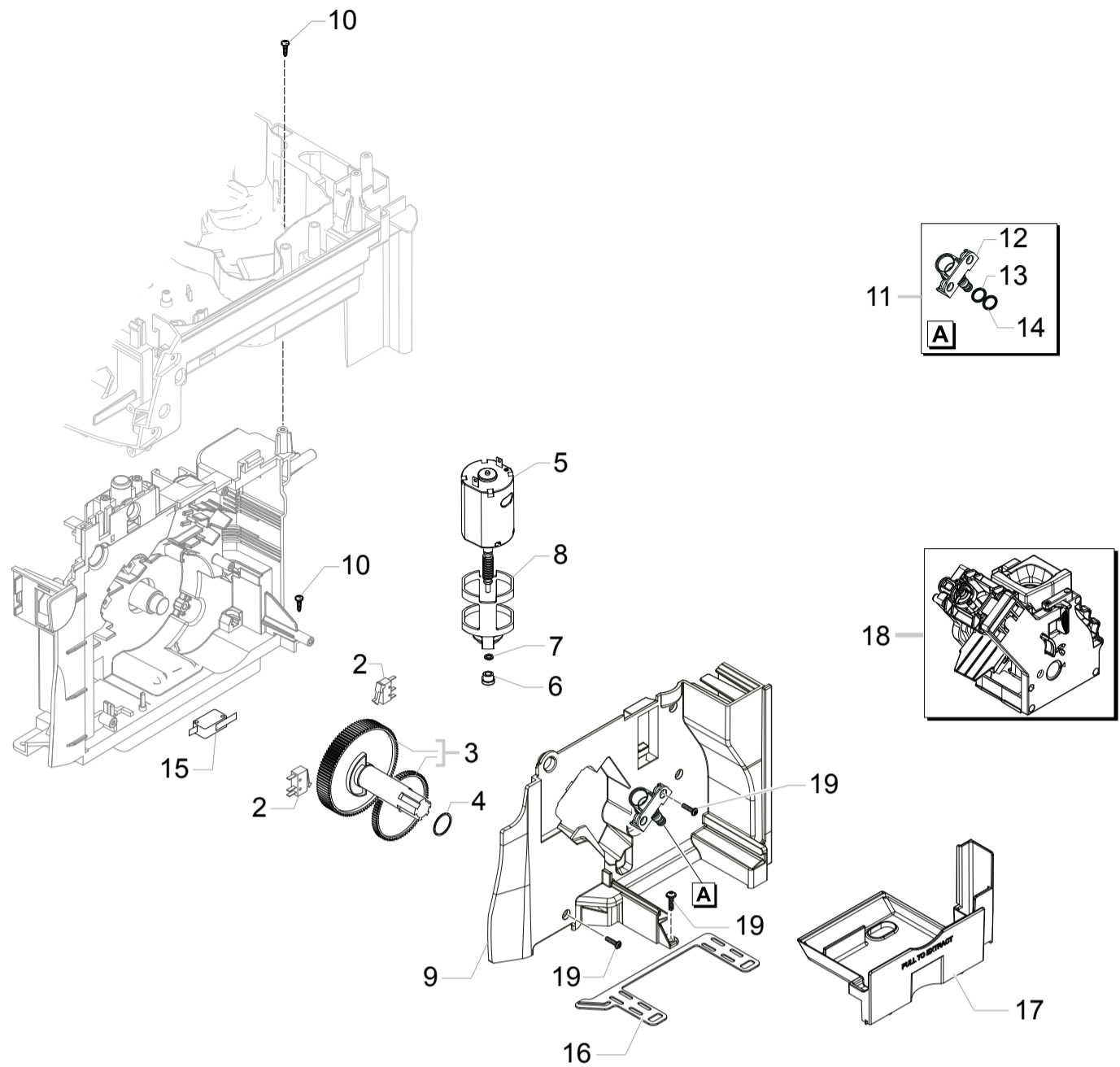
Saeco

HD8751/04-06-11-12-14-15-19-23-41-43-47
 HD8751/71-88 - HD8752/05-22-23-25
 HD8752/41-49-61
 HD8752/71-83-85-87-89



Cod.10004055-57-3844-46-882875114100-10003937-3845-4115-4058-59-56
 Cod. 882875171010-10004101-3936-3861-3935-4232-882875225630
 Cod.10003849-882875241020-10003860-882875249020-10003986
 Cod. 882875271100-10004102-882875285020-03-882875287740-10004104

POS	CODE	12NC	DESCRIPTION	NOTE	POS	CODE	12NC	DESCRIPTION	NOTE
01	11010031	996530005586	TEA/ZAMA INCREASE SCREW GRINDER		34		421946000121	2P.CONN.COF.GRINDER MOTOR V2 NPR UL ASSY	
	11024208	996530066712	TEA SHORT ZAMA INCREASE SCREW GRINDER ONLY USA		35	11003446	996530001673	BLACK BEAN COFFEE GRINDER INSERT P0049	
02	129574802	996530012928	SCREW TCB TORX 20 M4X30 ZN-B		36	17001921	996530072477	BLK WIRING FIX INSERT FOR GRINDER BOARD	
03		421941094152	BLK COF.GRINDER UPPER GRINDER SUPPORT V2						
04	140328960	996530013577	OR ORM 0530-15 NBR FDA			11026298	996530068697	GEN.MOTOR COFFEE GRINDER NPR ASSY.	230V
05	146520100	996530016342	BAKED CLAY GRINDER 48X28				421944035921	GEN.MOTOR COF.GRINDER NPR 230V CHN ASSY.	ONLY CHN
06	11012466	996530006412	BRASS BUSH BEAN CONT.FINGER PROTEC.P0057			11028279	996530071878	GEN.MOTOR COFFEE GRINDER NPR ASSY.	120V
07	149198350	996530017952	BLK LOWER COFFEEGRINDER GRINDER SUPPORT						
08	123030300	996530011183	AXIAL BEARING EKKO 342.35252						
09	140360500	996530013597	FELT RING 45,4X39,4X4						
10	128310402	996530012341	GALV.WASHER UNI 8842 A4						
11	11026355	996530068049	BLK GROUND COFF.OUTLET CONVEYOR V4 ASSY.						
12	145854462	996530015959	BLK GROUND COFFEE CONT.LOWER SEAL SMART1						
13	226000300	996530029609	GEAR SX Z=38 FOR GRINDER MOTION ASSY.						
14	11000513	996530000317	MOTOR COFFEEGRINDER V3.1 230V ASSY.	230V					
		421944035341	MOTOR COFFEEGRINDER V3.1 230V CHN ASSY.	ONLY CHN					
		421941305001	MOTOR COFFEEGRINDER V3.1 120V ASSY.	120V					
15	149214800	996530018139	MC V3 MOD=1,25 WORM SCREW CENTRING CAP						
16	129661702	996530012992	SCREW TCB TORX 3,5X30 PLAST.ZN-B						
17	11002873	996530001389	INSULATOR BUSH FOR GRINDER MOTOR P124						
18	11000597	996530000376	COFFEE GRINDER SUPPORT SPRING P124						
19	11014285	996530007058	BLK V2 BEAN CONTAIN.FINGER PROTECT.P0057						
		421944001511	TRANS.BEAN CONT.FINGER PROTECT.V3 NPR UL	ONLY USA					
20	128381902	996530012375	STEEL FLAT WASHER DI=4,3 DE=14 SP=1,5						
21	149199050	996530017963	BLK SENSOR SUPPORT FOR COF.GRINDER MOTOR						
22	11000194	996530000115	BLACK COFFEEGRINDER MOTOR SUPPORT P124						
23	181540900	996530022784	ELECTR.BOARD WITH SENSOR HAL506 SF-K						
24	123030200	996530011182	RADIAL BEARING 61900.2RS1						
25	128381800	996530012374	STEEL CRINKLE WASHER 21,8X14X0,25						
26	142905450	996530015258	BLK UPPER BODY WITH COFFEE GROUND OUTLET						
		421946000091	3P.CONN.MC SENSOR V2 NPR UL ASSY.						
28	11002613	996530001314	LOWER COFFEEGRINDER GEAR SUPPORT P124						
29	11002572	996530001308	COFFEEGRINDER REGULATION SPRING P124						
30	11003784	996530001907	COFFEE GRINDING ADJUSTMENT GEAR P0049						
31	U043.004	996530061808	ZN-B TCB SCREW M4X16						
32	11002508	996530001296	UPPER COFFEEGRINDER GEAR SUPPORT P124						
33	129914002	996530013165	SCREW TCB TORX 10 3,5X16 PLAST.ZN-B						



PHILIPS

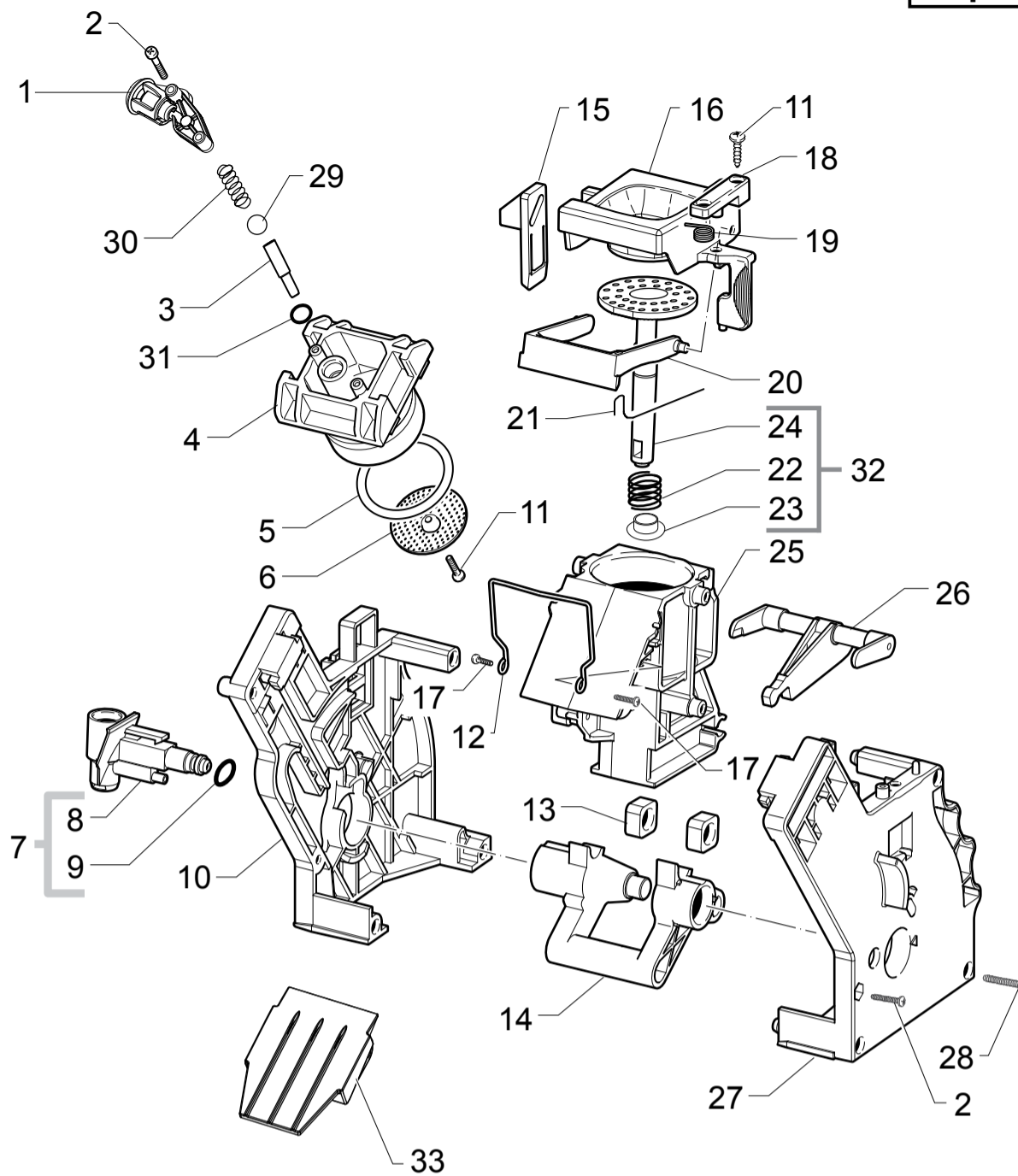
Saeco

HD8751/04-06-11-12-14-15-19-23-41-43-47
 HD8751/71-88 - HD8752/05-22-23-25
 HD8752/41-49-61
 HD8752/71-83-85-87-89



Cod.10004055-57-3844-46-882875114100-10003937-3845-4115-4058-59-56
 Cod. 882875171010-10004101-3936-3861-3935-4232-882875225630
 Cod.10003849-882875241020-10003860-882875249020-10003986
 Cod. 882875271100-10004102-882875285020-03-882875287740-10004104

POS	CODE	12NC	DESCRIPTION	NOTE	POS	CODE	12NC	DESCRIPTION	NOTE
02	12001841	996530073474	MICROSWITCH XC/V4D FOR HD8751/11-12-19-23-47-71-88-HD8752/22-23-25 HD8752/41-49-61-71-83-85-87-89						
	NE05.038	996530058869	MICROSWITCH SAIA XCG5-81-P5 HD8751/04-06-14-15-41-43-HD8752/05						
03	20000900	996530009913	SPARES KIT GEARS FOR RATIOMOTOR V2						
04	9161.132	996530050569	MYLAR WASHER FOR RATIOMOTOR						
05	11005214	996530002796	MOTOR FOR RATIOMOTOR P124 ASSY.						
06	9121.046	996530049898	BRONZE SINTERED BUSH FOR MOTOR RATIOMOT.						
07	148380200	996530017424	BAKELIZZATE WASHER D=5,5						
08	9121.044	996530049896	ANTIVIBRATION FOR MOTOR						
09	11003754	996530001899	BLK RATIOMOT.MOUNTING PLATE COVER P0057						
10	12000450	996530007819	SCREW TCBR TORX 10 3,5X12 PLAST.ZN-N						
11		421944060181	PIN FOR FLOW SEL.FAUCET V2 PPS P0057 AS						
12		421944059371	PIN FOR FLOW SELECT.FAUCET PPS V2 P0057						
13	NM01.035	996530059399	OR ORM 0090-20 SILICONE						
14	NM01.057	996530059419	OR ORM 0050-20 IN SILICONE						
15	12001890	996530073209	MICROSWITCH XG/V3D FOR HD8751/11-12-19-23-47-71-88-HD8752/22-23-25 HD8752/41-49-61-72-83-85-87-89						
	NE05.013	996530058847	MICROINT.SAIA XGK52-81-J23 FOR HD8751/04-06-14-15-41-43-HD8752/05						
16	11013205	996530006688	BLACK SEAL FOR RATIOMOTOR PLATE XSM						
17	17001336	996530068732	GREY BREW UNIT DRAWER COFFEE NPR						
18		421944053951	BLK/YLW BREW UNIT 8GR.5BAR V4 HGO						
19		421944016761	SCREW TCBR TORX 10 3,5X12 PLAST.ZN-NI						



PHILIPS

Saeco

HD8751/04-06-11-12-14-15-19-23-41-43-47
 HD8751/71-88 - HD8752/05-22-23-25
 HD8752/41-49-61
 HD8752/71-83-85-87-89



Cod.10004055-57-3844-46-882875114100-10003937-3845-4115-4058-59-56
 Cod. 882875171010-10004101-3936-3861-3935-4232-882875225630
 Cod.10003849-882875241020-10003860-882875249020-10003986
 Cod. 882875271100-10004102-882875285020-03-882875287740-10004104

POS	CODE	12NC	DESCRIPTION	NOTE	POS	CODE	12NC	DESCRIPTION	NOTE
01	11009362	996530005415	BLK COF.OUTLET SLEEVE BREW UNIT S0053 AS						
02	12000550	996530007838	SCREW TCB TORX 10 3X25 PLAST.SS						
03	11009276	996530005372	BLK COUNTER PISTON TUBE BREW UNIT S0053						
04	11001840	996530001046	BLACK COUNTER PISTON BREW UNIT 8GR.P124						
05	NM01.044	996530059406	OR ORM 0320-40 SILICONE PTFE/FDA						
06	9161.268	996530050709	PERCOLATOR DE=35,8 ELFO						
07	20000440	996530009825	BLACK WATER INLET SLEEVE BREW UNIT ASSY.						
08	9161.064.050	996530050488	BLACK WATER INLET SLEEVE BREW UNIT ROYAL						
09	NM02.007	996530059441	OR 2025 IN TERMOIL						
10	9161.375.050	996530050832	BLACK BREW UNIT REAR PLATE SMART						
11	12000895	996530007951	SCREW TSP TORX 10 3X10 PLAST.SS						
12	11001556	996530000898	SS BREW UNIT SPRING H=49 SMART						
13	9161.094.050	996530050539	BLACK BREW UNIT DRILLED BLOCK						
14		421944051231	YLW BREW UNIT ELBOW SHAFT M5000						
15		421944046931	YLW BREW UNIT COUPLING PLATE V2 SMART						
16	149261350	996530018241	BLACK HOPPER DOSER BREW UNIT SMART1						
17	129912521	996530013148	SCREW TCB TORX 10 3,5X14 PLAST.SS						
18		421944050711	YLW BREWUNIT HOPPER BLOCKING PLATE SMART						
19	9161.378	996530050838	SS HOPPER SPRING FOR BREW UNIT SMART						
20	11004161	996530002096	BLACK SCRAPER FOR BREW UNIT M5000						
21	9161.046	996530050455	SS SCRAPER SPRING FOR BREW UNIT						
22	9161.198	996530050627	SS.8GR.BREW UNIT PISTON SPRING						
23	9161.191	996530050618	WHITE 8GR.-12GR.BREW UNIT PISTON BUSH						
24		421944025621	BLK BREW UNIT INTEGR.PISTON 8GR.V3 ASSY.						
25		421944014611	BLK COF.CONTAIN.BREW UNIT V2 M5000 ASSY.						
26	11003078	996530001452	BLACK CONNECTING ROD BREW UNIT 8GR.						
27	11005920	996530003228	BLACK BREW UNIT FRONT PLATE S/SCR.SMART						
28	12000897	996530007953	SCREW TCB TORX 10 3,5X20 PLAST.SS						
29		421944034451	BOROSILICATE SPHERE D.5 MM						
30	11012095	996530006305	SS COFFEE UNIT CONTERPISTON SPRING S0053						
31	140328761	996530013575	OR ORM 0060-15 TERMOIL						
32		421944029791	BLK BREW UNIT 8GR.INT.PISTON GEN.V3 ASSY						
33	17000663	996530073322	BLK BREW UNIT CONVEYOR SLIDE L=76,8						
		421944053951	BLK/YLW BREW UNIT 8GR.5BAR V4 HGO						