

Service
Service
Service



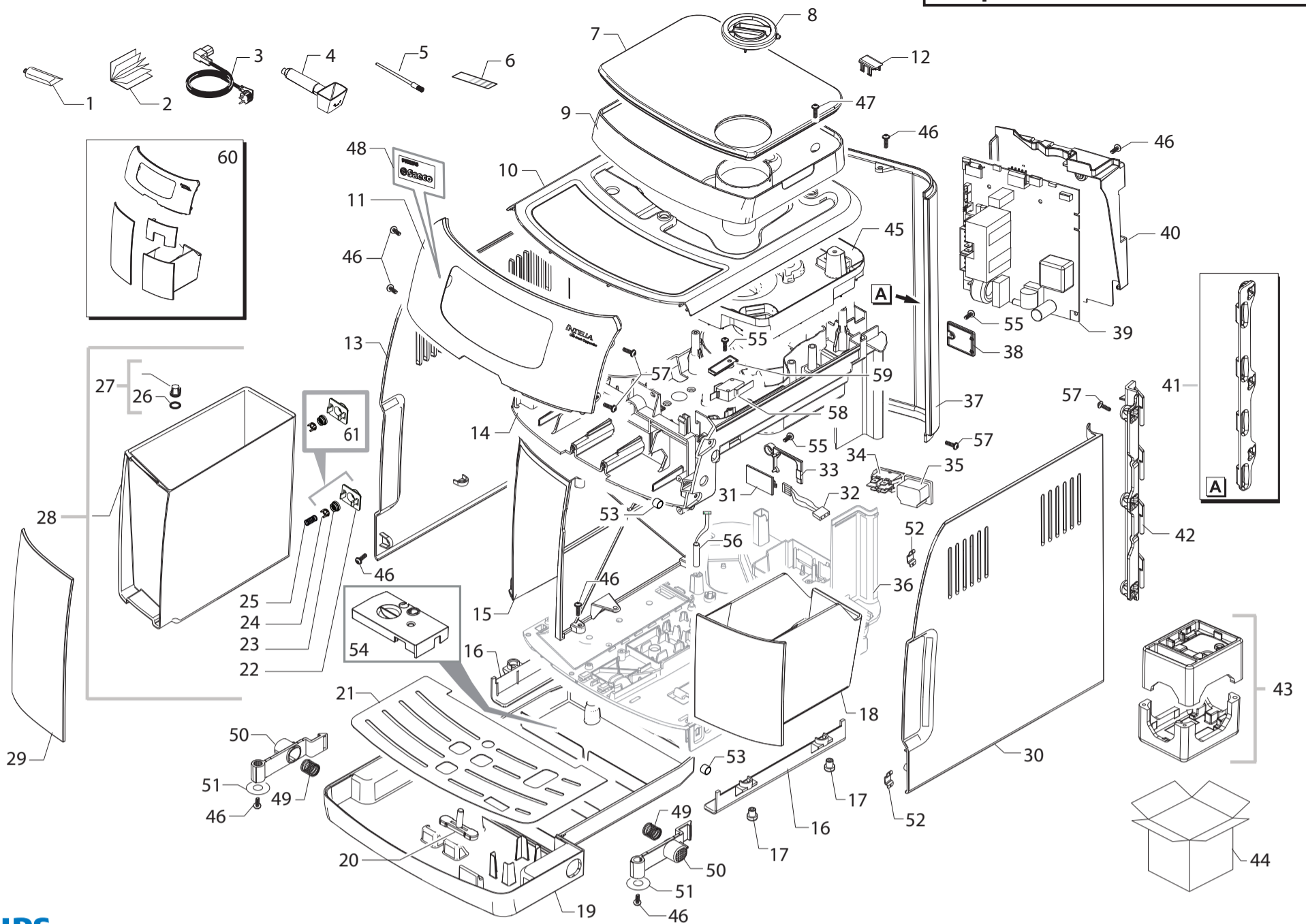
Exploded View

Contents

Table

External / Electronical components	1/7
Front panel / User interface	2/7
Milk carafe	3/7
Water system	4/7
Coffee grinder assembly	5/7
Gear motor	6/7
Brewing unit	7/7

All rights reserved. No part of this publication may be reproduced, stored in a retrieval system or transmitted, in any form or by any means, electronic, mechanical, photocopying, or otherwise without the prior permission of Saeco.



PHILIPS

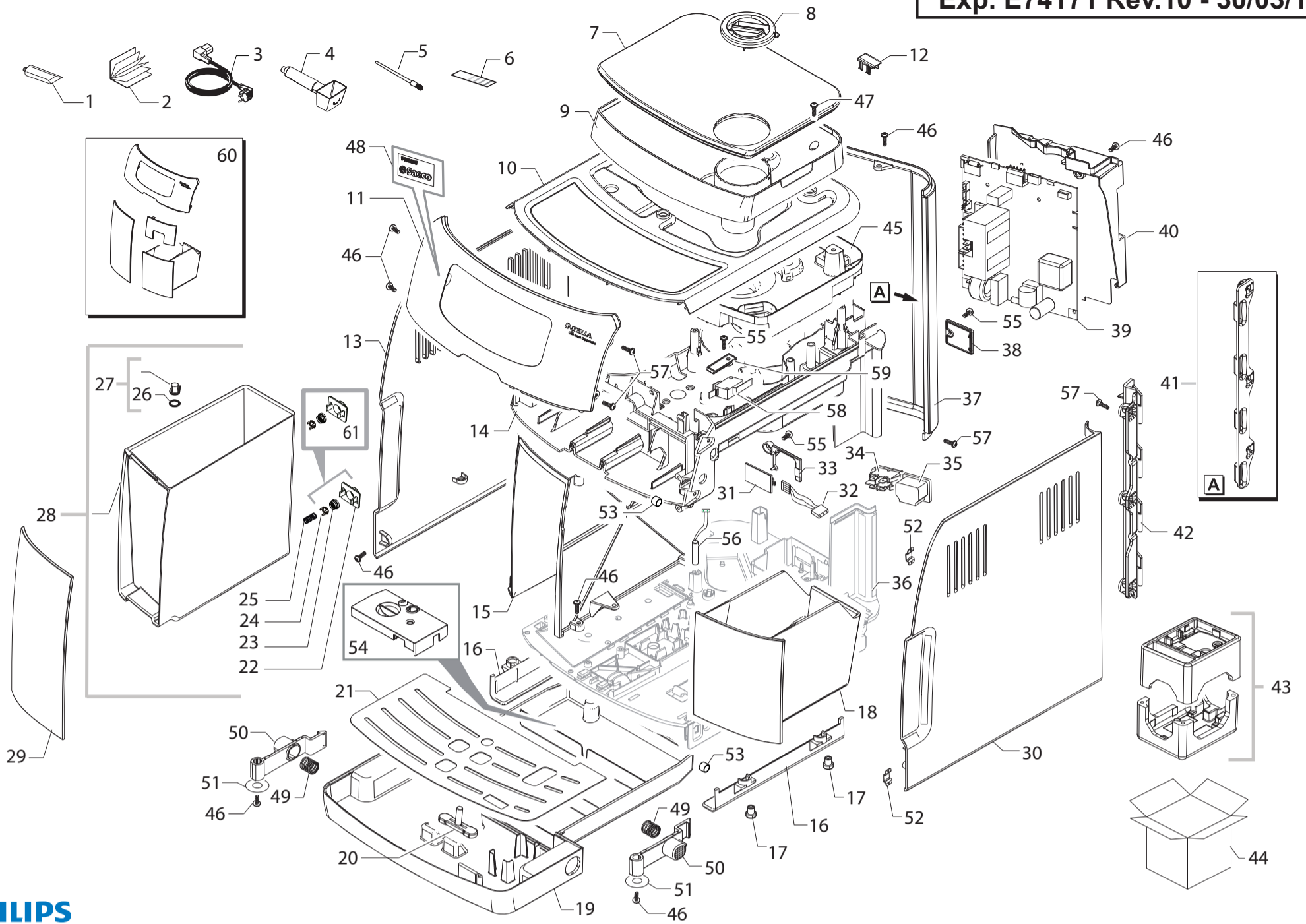
Saeco

HD8753/04-06-11-12-15-19-23
HD8753/25-71-79
HD8753/81-82-83-84-87-88-89



Cod.10004081-84-3884-4079-82-85-80
Cod.10004233-882875371010-5379300
Cod.10003987-4106-07-09-4228-4100-08

POS	CODE	12NC	DESCRIPTION	NOTE	POS	CODE	12NC	DESCRIPTION	NOTE
01		421946017941	PSA KLUBERLUB NH1 11-222 TUBE 5GR.		11	11030232	996530072786	SS FRONT PANEL V2 S/SCR.NPR/TM ASSY.	CAPP.METAL
02	15002994	996530069845	MANUAL PSA HD8753 NPR/T GB	ONLY USA			421946006761	G/ANT.FRONT PANEL S/SCR.INTEL.OTC NPR/T	CAPP.ANTH
		421946001981	MANUAL V2 SAE HD8753 NPR/T GB	ONLY CHN	12	17001380	996530069844	TRANSP.COVER INFRAREDS ACCESS NPR/T	
	15002996	996530069853	MANUAL PSA HD8753 NPR/T FR		13	17001299	996530068729	MATT/BLACK LEFT SIDE CASING NPR	
	15002997	996530069836	MANUAL PSA HD8753 NPR/T ES		14	11030131	996530071883	BLK COFFEE GRINDER SUPP.PLATE V2 NPR/T	
		421946002201	MANUAL V2 SAE HD8753 NPR/T CHN		15		421941282512	BLK CASING BOTTOM INSERT V2 NPR	BLACK
03		421946001591	BLK POWER CABLE SCHUKO L=800				421941243012	GRY CASING BOTTOM INSERT V2 NPR	GREY
	11001985	996530001089	BLACK POWER CABLE KOREA L=1200		16	17001110	996530068723	BLACK DRIP TRAY GUIDE NPR	
	183930650	996530025858	POWER CABLE CH BLACK 3X1 H05VV-F L=1200		17	147622800	996530016875	TRANSPARENT SILICONE FOOT	
	183940650	996530025872	BLACK POWER CABLE AUSTRALIA L=1200				421324705256	FOOT	
	183970350	996530025882	BLACK POWER CABLE UK L=1200					UP TO S/N TU901425090811	
	11004247	996530002167	BLACK POWER CABLE RVV 3X1 CHINA L=1200					FROM S/N TU901425090812	
	183921950	996530025843	POWER CABLE SJT3 USA BLACK UL L=1200		18	-	NOT AVAILABLE	BLACK DUMP BOX NPR/T	SEE POS. 60
	11004246	996530002166	BLACK POWER CABLE TAIWAN HVCTF L=1200					UP TO S/N TU901230124979	
04		421944033301	BLK ABS COFFEE MEASURE SMART			11030538	996530072788	MATT/BLACK DUMP BOX NPR/T	
05	127390100	996530011867	BRUSH FOR CLEANING					FROM S/N TU901230124980	
06	0301.961	996530039604	STICKER FOR WATER HARDNESS TEST			11027522	996530069823	SPECCHIATO DUMP BOX NPR/T	
07	17001245	996530068681	NAT/GREY BEAN COFFEE CONTAIN.LID NPR/H-T					UP TO S/N TU901230124979	
08	17001244	996530068685	NAT/GREY GROUND COFFEE HOPPER LID NPR			11030566	996530072793	SPECCHIATO DUMP BOX NPR/T	
09	17001234	996530068743	NAT/GREY BEAN COFFEE CONTAINER NPR					FROM S/N TU901230124980	
10	20007027	996530069863	SPARES KIT SS/BLK UPPER CASING COV.NPR/T			11028590	996530070394	SS DUMP BOX NPR/TM ASSY.	CAPP.METAL
			UP TO S/N TU901230124979			11029867	996530072687	G/ANT.DUMP BOX NPR/T	CAPP.ANTH
	20007114	996530072641	SPARES KIT SS/M.BLK UPP.CASING COV.NPR/T		19	11028116	996530069787	BLACK DRIP TRAY NPR/T ASSY.	
			FROM S/N TU901230124980					UP TO S/N TU901230124979	
	20007111	996530072668	SPARES KIT SS/ANT UPPER CASING COV.NPR/T	CAPP.ANTH		11030716	996530072792	MATT/BLACK DRIP TRAY NPR/T ASSY.	KEEP FOR 120v
11	11027296	996530069874	BLACK FRONT PANEL S/SCR.NPR/T					FR. S/N TU901230124980	
			UP TO S/N TU901230124979					FOR 230v - UP TO S/N TU901335143351	
	11030596	996530072794	MATT/BLACK FRONT PANEL S/SCR.NEW NPR/T				421944009251	M/BLK DRIP TRAY V2 NPR/T ASSY.	
			FROM S/N TU901230124980					FOR 230v - FROM S/N TU901335143352	
	11027525	996530069872	SPECCHIATO FRONT PANEL S/SCR.NPR/T		20	11013184	996530006683	RED FLOAT FOR DRIP TRAY XSM	
			UP TO S/N TU901230124979		21	17001097	996530069826	BA/SS GRATE FOR DRIP TRAY NPR/T	
	11030597	996530072789	SPECCHIATO FRONT PANEL S/SCR.NEW NPR/T		22		421944040061	BLK LID FOR WATER CONT.VALVE V2 P0049	
			FROM S/N TU901230124980					FROM S/N. TU901606010610	



PHILIPS

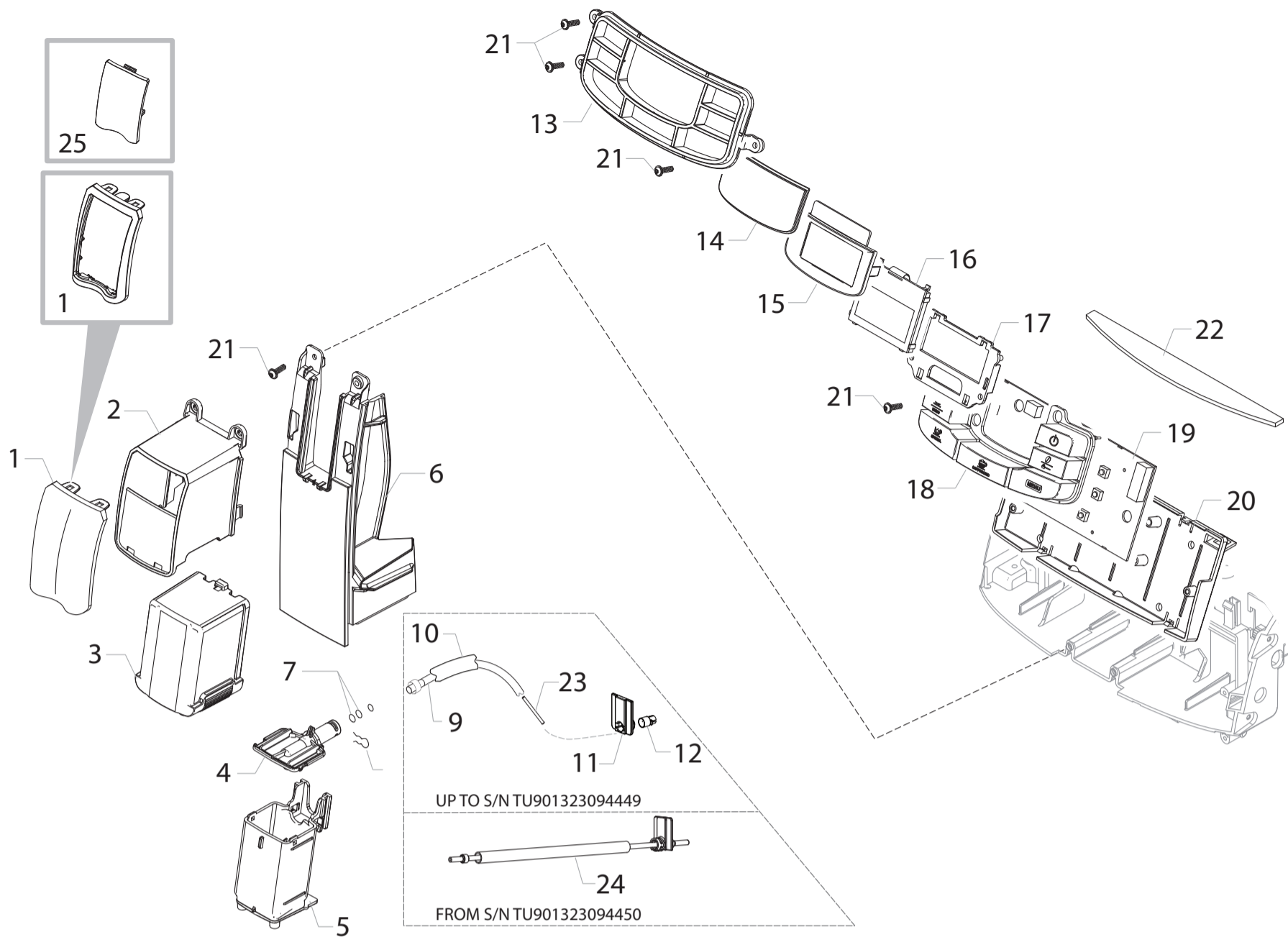
Saeco

HD8753/04-06-11-12-15-19-23
HD8753/25-71-79
HD8753/81-82-83-84-87-88-89



Cod.10004081-84-3884-4079-82-85-80
Cod.10004233-882875371010-5379300
Cod.10003987-4106-07-09-4228-4100-08

POS	CODE	12NC	DESCRIPTION	NOTE	POS	CODE	12NC	DESCRIPTION	NOTE
23		421944040781	BLK GASKET FOR WATER CONT.VALVE V2 P0049 FROM S/N. TU901606010610		39	11028197	996530071884	CPU+SW NPR/T 120V AS. UP TO S/N TU901228113257	HD8753/06-87
24		421944040071	BLK WATER CONT.VALVE INSERT V2 P0049 FROM S/N. TU901606010610				421941305851	CPU+SW V2 NPR/E 120V AS FROM S/N TU901228113258	HD8753/06-87
25	11003672	996530001831	SS SPRING FOR WATER CONTAIN.VALVE P0049		40		421944017971	BLK PWR/CPU BOARD PROTECTION V2 P0057	
26	140328461	996530013571	OR ORM 0190-10 EPDM				421941200872	GRY PWR/CPU BOARD PROTECTION P0057	HD8353/06-87
27	224640200	996530029115	WHITE WATER CONTAINER EXT.FILTER ASSY.		41		421944022751	BLK HINGE FOR REAR CASING XSM	
28		421944056301	NAT/GRY WATER CONTAINER V2 NPR ASSY		42		421944022731	BLK HINGE FOR DOOR RIGHT SIDE XSM	
29		NOT AVAILABLE	BLACK WATER TANK FRONT COVER NPR UP TO S/N TU901230124979	SEE POS.60	43	20007026	996530069832	KIT PS-E INSERT FOR BOX NPR/T	
	11030535	996530072456	MATT/BLACK WATER TANK FRONT COVER NPR FROM S/N TU901230124980		44		421944053741	DISPL.BOX DFX V3 NPR/T-TM SAE INTEL.OTC	
	11028543	996530069811	SPECCHIATO WATER TANK FRONT COVER NPR UP TO S/N TU901230124979			13001464	996530070392	DISPLAY BOX NRP/T PSA INTELIA	CAPP.FE
	11030558	996530072787	SPECCHIATO WATER TANK FRONT COVER NPR FROM S/N TU901230124980		45		421944058831	BLK COF.GRINDER SOUNDPROOFING COV.V3 NPR	
	11028561	996530070361	SS WATER TANK FRONT COVER NPR/HM ASSY.	CAPP.METAL	46	12000450	996530007819	SCREW TCBR TORX 10 3,5X12 PLAST.ZN-N	
	11029853	996530072452	G/ANT.WATER TANK FRONT COVER NPR	CAPP.ANTH	47	129914002	996530013165	SCREW TCB TORX 10 3,5X16 PLAST.ZN-B	
30		421944040591	M/BLK RIGHT SIDE DOOR V4 NPR		48	11025026	996530068191	ADHES.SILVER PLATE LOGO PHILIPS-SAECO	
31	11003232	996530001522	AS.CPU+SW WATER LEVEL SENSOR V2		49	11000759	996530000487	HOT WATER TUBE SPRING P124	
	11000651	996530000425	WATER LEVEL SENSOR BOARD P124	120V	50	17001274	996530069806	BLACK DRIP TRAY LOCKING INSERT NPR/T	
32		421946000081	3P.CONN.WATER LEVEL V2 CLP UL ASSY.		51	U207.004	996530062034	PLAIN WASHER 4,3X16 UNI 6592 GAL	
33	17001179	996530068749	BLK CAPACIT.SENSOR LOCKING INSERT NPR		52	11013220	996530069857	STEEL PLATE FOR DOOR MAGNET XSM	
34		242212625107	SWI POW 2P 16A 250V FASTON IEC 1552 B	IF PRESENT	53	9161.111	996530050555	MAGNET FOR FLOAT SUPERAUT.	
35	12001883	996530072437	CUP SOCKET V3 EN 60320 C 13		54	17000838	996530069839	BLACK DRIP TRAY COVER NPR/T FOR 230v - UP TO S/N TU901335143351	KEEP FOR 120v
36		NOT AVAILABLE	BLK CASING BOTTOM V3A NPR/T		55	129913202	996530013156	SCREW TCB TORX 10 3X8 PLAST.ZN-B	
37	17001240	996530068714	MATT/BLACK REAR CASING NPR		56	17800432	996530072785	2POLES CONNECT.SENSOR REED DOOR V2 G0053 FOR 230v - UP TO S/N TU901335143351	KEEP FOR 120v
38	17001484	996530068728	MATT/BLK REAR CASING PROGRAM.INSERT NPR		57		421944016761	SCREW TCBR TORX 10 3,5X12 PLAST.ZN-NI	
39	11026677	996530069795	AS.CPU+SW NPR/T 230V UP TO S/N TU901228113257	230V	58	12001890	996530073209	MICROSWITCH XG/V3D	
	11030736	996530072671	CPU+SW V2 NPR/T 230V ASSY. FR. S/N TU901228113258 TO S/N TU901335143351	230V	59	17000064	996530067437	BLK CAPACIT.SENSOR DEADLOCK INSERT XSM	
		421941305832	CPU+SW V3 NPR/E 230V ASSY. HD8753/04-11-12-15-19-23-25-71-81-82-83-84-88-89 FROM S/N TU901335143352	230V	60		421941307571	KIT SPARES AESTH.ITEMS INTELIA CAPP.BK UP TO S/N TU901230124979	
					61		421941308821	KIT SP.COMPONENTS WATER CONTAINERS ASSY UP TO S/N. TU901606010609	



PHILIPS

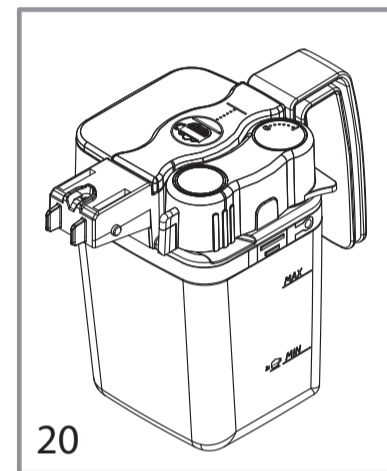
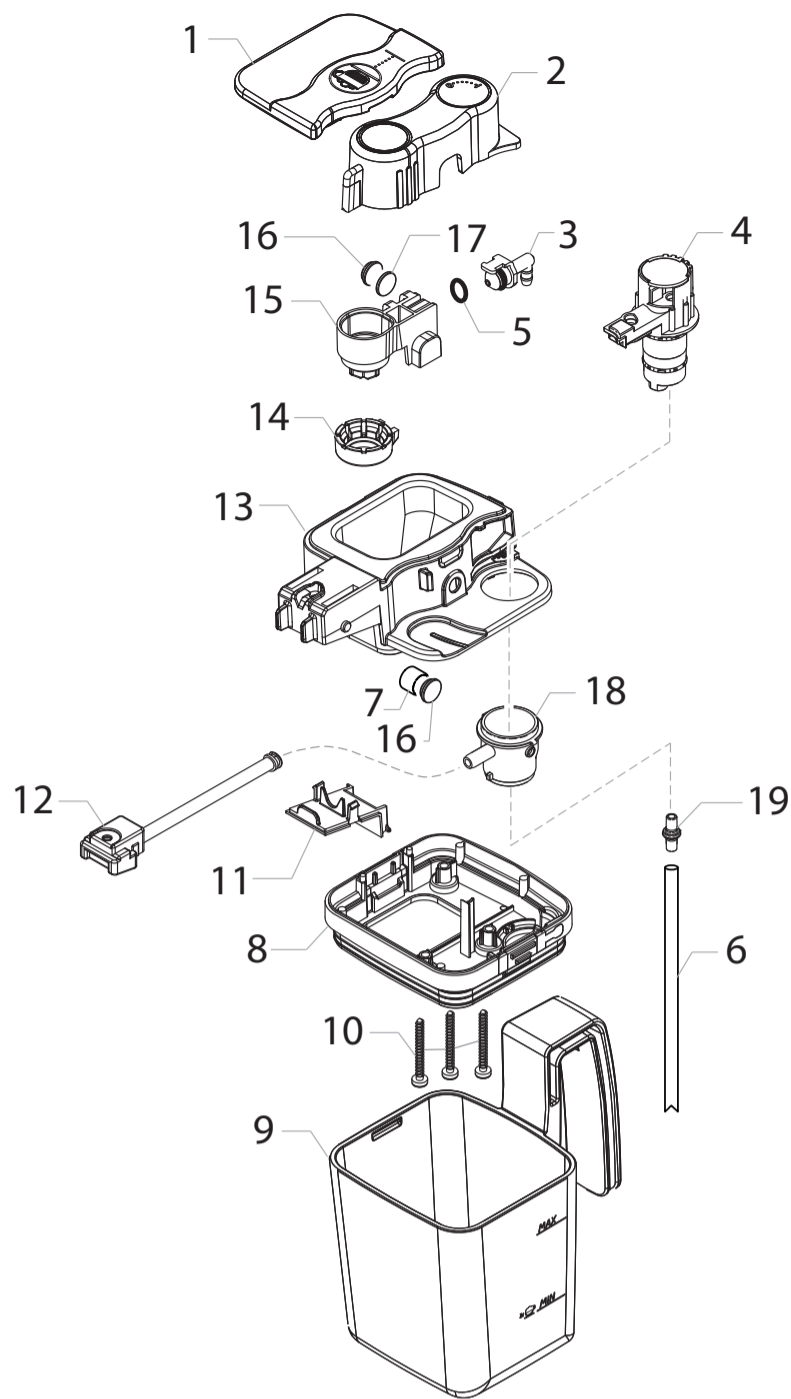
Saeco

HD8753/04-06-11-12-15-19-23
 HD8753/25-71-79
 HD8753/81-82-83-84-87-88-89



Cod.10004081-84-3884-4079-82-85-80
 Cod.10004233-882875371010-5379300
 Cod.10003987-4106-07-09-4228-4100-08

POS	CODE	12NC	DESCRIPTION	NOTE	POS	CODE	12NC	DESCRIPTION	NOTE
01	17001031	996530069805	BLK COFFEE DISPENSER FRONT PLATE NPR/T UP TO S/N TU901230124979		16		421941300941	DISPLAY LCD 128X64 SMR	
	11030537	996530072797	MATT/BLK COF.DISPENSER FRONT PLATE NPR/T FROM S/N TU901230124980		17	17001100	996530068682	BLACK DISPLAY SUPPORT NPR	
	11027520	996530069792	SPECCH.COF.DISPENSER FRONT PLATE NPR/T UP TO S/N TU901230124979		18	11027330	996530069871	SILVER 7BUTTONS TOUCH PANEL S/SCR.NPR/T	
	11030715	996530072796	SPECCH.COF.DISPENSER FRONT PLATE NPR/T FROM S/N TU901230124980		19	11025830	996530068721	KYB - INTERFACE NPR/H-T	
	11028589	996530070369	SS COF.DISPENS.FRONT PLATE NPR/HT-TM ASS	CAPP.METAL	20	11030078	996530071879	BLACK DISPLAY KEYBOARD SUPPORT V2 NPR	
	11029779	996530072482	CHROM.COFF.DISPEN.FRONT PLATE V2 NPR/H-T	CAPP. ANTH	21	12000450	996530007819	SCREW TCBR TORX 10 3,5X12 PLAST.ZN-N	
02	17001239	996530068699	BLACK COFFEE DISPENSER LID NPR UP TO S/N TU901230124979		22	17001379	996530069814	BLACK ADHESIVE AERSTOP NPR	
	11030531	996530072512	MATT/BLACK COFFEE DISPENSER LID NPR FROM S/N TU901230124980		23	17000266	996530071774	SS.L=22,6MM INT.BUSH FOR TEFLON TUBE D4	
	11030529	996530072523	CRC COFFEE DISPENSER LID NPR	CAPP. ANTH	24	11031203	996530073357	TEFL.TUBE 2X4 L=235+PLATE+2BUSH NPR ASSY FROM S/N. TU901323094450	
03	17001242	996530068698	MATT/BLK COFFEE DISPENS.MOBILE PART NPR		25	11029841	996530072491	CRC COFF.DISPENSER FRONT INSERT NPR/H-T	CAPP. ANTH
04	17001246	996530068742	BLACK COFFEE DISPENSER BODY LID NPR						
05	17001894	996530071881	BLACK COFFEE DISPENSER BODY V2 NPR						
06	17000772	996530069789	BLACK FRONT CASING COVER V2 NPR UP TO S/N TU901230124979						
	11030536	996530072527	MATT/BLACK FRONT CASING COVER V2 NPR FROM S/N TU901230124980						
	11028542	996530069808	SPECCHIATO FRONT CASING COVER V2 NPR UP TO S/N TU901230124979						
	11030563	996530072798	SPECCHIATO FRONT CASING COVER V2 NPR FROM S/N TU901230124980						
	11028558	996530070368	SS FRONT CASING COVER NPR/HM ASSY.	CAPP.METAL					
	11030564	996530072463	CRC FRONT CASING COVER V2 NPR	CAPP. ANTH					
07	140328059	996530013564	OR 2015 SILICONE PTFE/FDA						
08	9011.144	996530048885	SS FORK FOR TUBE D=4						
09	11004132	996530002073	TEFLON TUBE 2X4 L=250 MM ASSY.						
10	149361200	996530018278	BLACK SILICONE TUBE 7,5X9,3 IN ROLL	IN ROLL					
11	11005100	996530002748	PLATE FOR BUSH TEFLON TUBE 2X4 P124						
12	11005101	996530002749	BLACK BUSH FOR TEFLON TUBE 2X4 P124						
13	11030922	996530072686	CRC TOUCH PANEL FRAME NPR/T						
14	17001112	996530068675	TRANSP.GLASS FOR DISPLAY NPR						
15	17001111	996530068673	MATT/BLACK DISPLAY FRAME NPR						



PHILIPS

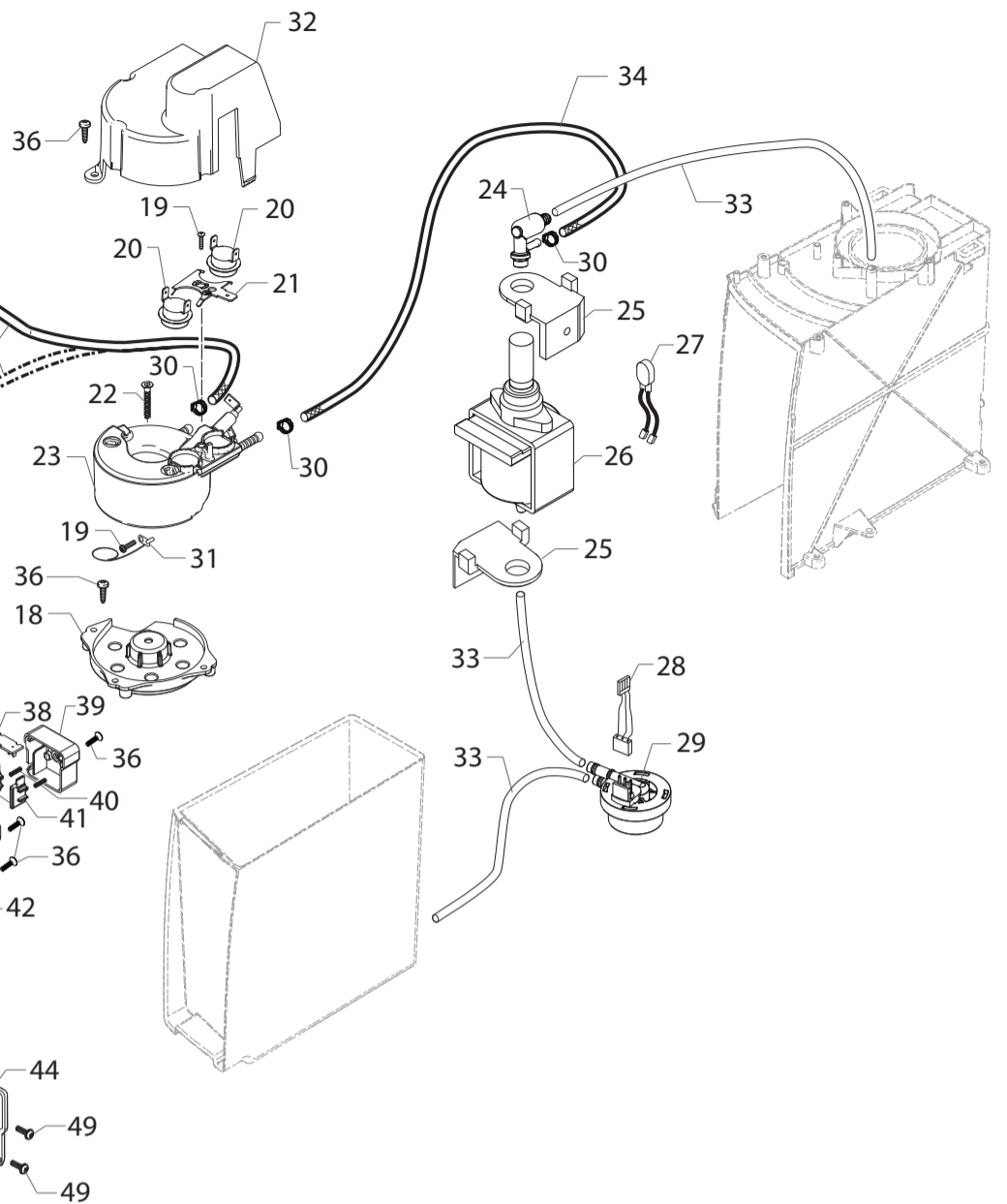
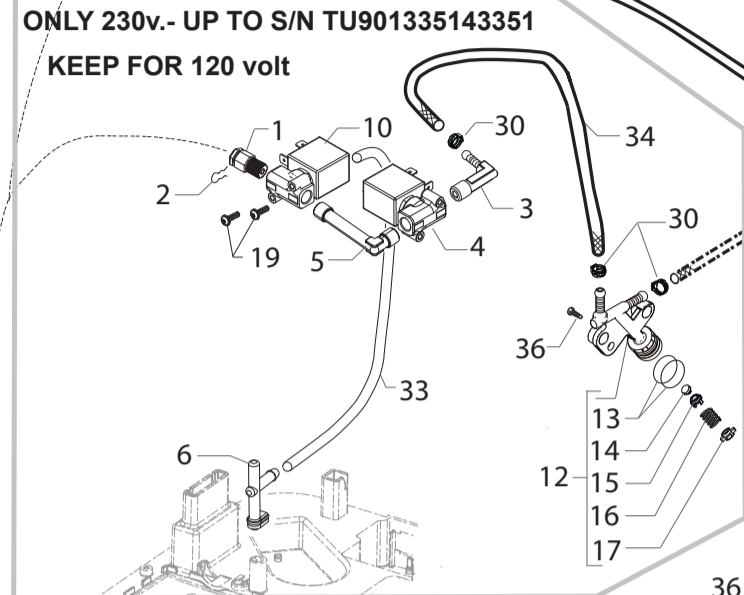
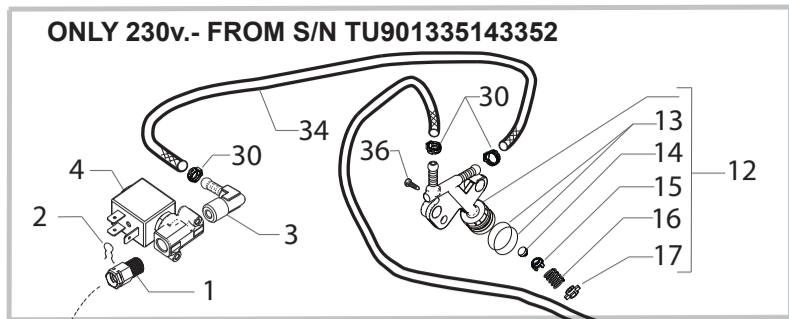
Saeco

HD8753/04-06-11-12-15-19-23
 HD8753/25-71-79
 HD8753/81-82-83-84-87-88-89

CE

Cod.10004081-84-3884-4079-82-85-80
 Cod.10004233-882875371010-5379300
 Cod.10003987-4106-07-09-4228-4100-08

POS	CODE	12NC	DESCRIPTION	NOTE	POS	CODE	12NC	DESCRIPTION	NOTE
01	11030764	996530072653	MATT/BLACK CARAFE COVER PLUG NPR/T						
02	17000953	996530072647	MATT/BLK CARAFE CAPPUC.COVER V2 NPR/T						
03	17001194	996530069788	CARAFE STEAM OUTPUT CONNECT.NPR/T ASSY.						
04	17000843	996530069801	BLACK CARAFE CAPPUC.PIN NPR/T ASSY.						
05	NM01.028	996530059392	O-RING 106 SILICONE						
06	11027297	996530069794	SILICONE TUBE 3,5X6 L= 75 MM						
07	9.161.111	996530050555	MAGNET FOR FLOAT SUPERAUT.						
08	11030762	996530072645	MATT/BLACK LOWER COVER PART CARAFE NPR/T						
09	17001257	996530072938	TRANSP.CARAFE V3 NPR/T						
10	129914002	996530013165	SCREW TCB TORX 10 3,5X16 PLAST.ZN-B						
11		421944001291	BLK CARAFE REAR COVER INSERT V2 NPR/T						
12	17000585	996530069827	BLACK CARAFE MILK DISPENSER TUBE NPR/T						
13	11030761	996530072649	MATT/BLACK UPPER COVER PART CARAFE NPR/T						
14	17000822	996530069837	BLK CAPPUC.OUTPUT MILK CONN.CARAFE NPR/T						
15	17000489	996530069847	BLACK CARAFE CAPPUC.CASING NPR/T						
16	11014016	996530006968	SS.INSERT FOR MAGNET MYB9						
17	9.991.093	996530051816	MAGNET D=9,5 X H=1,5						
18	17001604	996530071934	BLACK CARAFE COVER BUSH V2 NPR/T						
19	17001362	996530068626	BLK MILK INTAKE TUBE CONNECT.INS.V2 RYL						
20	11030841	996530072643	TRANSP-MATT/BLK GEN.CARAFE NPR/T ASSY.						



PHILIPS

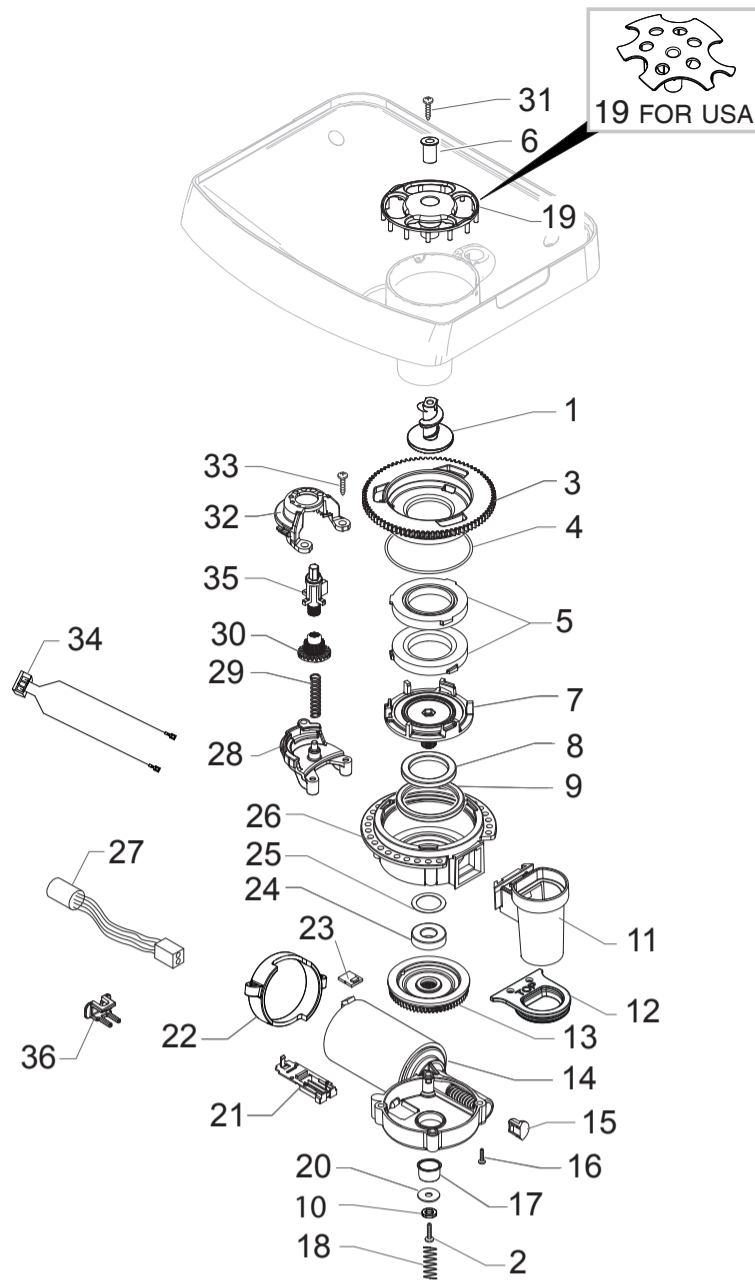
Saeco

HD8753/04-06-11-12-15-19-23
HD8753/25-71-79
HD8753/81-82-83-84-87-88-89



Cod.10004081-84-3884-4079-82-85-80
Cod.10004233-882875371010-5379300
Cod.10003987-4106-07-09-4228-4100-08

POS	CODE	12NC	DESCRIPTION	NOTE	POS	CODE	12NC	DESCRIPTION	NOTE
01	1027572	996530072695	L-F/BRASS CONNECTOR 1/8" FOR TUBE D=4		25	149205850	996530018056	BLACK TYPE ULKA PUMP W/BEVEL SUPPORT	
02	9011.144	996530048885	SS FORK FOR TUBE D=4		26	12000140	996530007753	ULKA PUMP EP5/S GW 230V-50HZ	HD8753/15
03	17001269	996530070397	L-F/BRASS 90°CONNECT.FOR FAUCET EV.NPR/T	KEEP FOR 120v			421941305991	ULKA PUMP EP5FMGW 230V-50HZ	
			FOR 230v - UP TO S/N TU901335143351					HD8753/11-12-19-23-25-71-81-82-83-84-88-89	
	11024469	996530067632	L-F/BRASS CONNECTOR FOR BOILER AURA		12000142	996530007754	996530007754	ULKA PUMP EAP5/S 120V-60HZ	HD8753/06-87
			FOR 230v - FROM S/N TU901335143352		12000182	996530007782	996530007782	ULKA PUMP EP5/S GW 220V-60HZ	HD8753/04
04	11024038	996530067667	2WAY EV OT57 (21JN1RRV20-XT+LBV05024CU)	KEEP FOR 120v			421946000131	2P.CONN.PUMP V2 CLP UL ASSY.	
			FOR 230v - UP TO S/N TU901335143351				421946000141	3P.CONN.FLOWMETER V2 CLP UL ASSY.	
	17001262	996530073681	LFBRASS 2W.EV 21JN1RRV20-X005+LBV05024CU		27	NV99.099	996530059843	TURBINE D=1,2 932-8521/00 ASSY.	
			FOR 230v - FROM S/N TU901335143352		28		996530007947	OETIKER CLAMP D=9,5 16700004	
05	11031400	996530073514	L-F/BRASS 90 CONNECTOR V2 FOR FAUCET EV.	KEEP FOR 120v	30	12000892	996530007947	OETIKER CLAMP D=9,5 16700004	
			FOR 230v - UP TO S/N TU901335143351		31	190800100	996530026997	TEMPERATURE SENSOR NTC UL L=280MM	
06	17000980	996530067657	BLACK WATER DRAINAGE CONNECTOR XSMC	KEEP FOR 120v	32		421941284802	GRY BOILER INSULATING COVER NPR	
			FOR 230v - UP TO S/N TU901335143351		33	JS01.022	996530057357	SILICONE TUBE 5X10 60SH IN ROLL	IN ROLL
07	17000595	996530069786	BLK CARAFE INSERT BODY FRONT COVER NPR/T		34	16000380	996530009505	5X8,9 SILICONE TUBE IN ROLL	IN ROLL
			UP TO S/N TU901230124979		35	11030763	996530072648	MATT/BLK UPPER BODY HOT WATER DISP.NPR/T	
	11030540	996530072801	MATTBLK CARAFE INS.BODY FRON.COVER NPR/T		36	12000450	996530007819	SCREW TCBR TORX 10 3,5X12 PLAST.ZN-N	
			FROM S/N TU901230124980		37	17000006	996530009559	TWO WAY TEFLON TUBES SUPPORT SPRING MYB9	
	11027527	996530069796	SPECCH.CARAFE INS.BODY FRONT COVER NPR/T		38	11027553	996530069819	CARAFE PRESENCE BOARD NPR/T	
			UP TO S/N TU901230124979		39	17001331	996530069841	TRANSP.CARAFFE BOARD COVER NPR/T	
	11030568	996530072799	SPECCH.CARAFE INS.BODY FRONT COVER NPR/T		40	17000019	996530009566	SS CARAFE MICRO INSERT SPRING MYB9	
			FROM S/N TU901230124980		41	17001329	996530069817	BLACK CARAFE MICRO INSERT NPR/T	
	11028591	996530070396	SS CARAFE INS.BODY FRONT COVER NPR/TM AS	CAPP.METAL	42	17000601	996530069855	BLACK CARAFE GRAFT BODY INSERT NPR/T	
	11029872	996530072689	G/ANT.CARAFE INS.BODY FRONT COVER NPR/T	CAPP.ANTH	43	11027510	996530069851	WHT PREFORM.TEFLON TUBE SUPP.NPR ASSY.	KEEP FOR 120v
08	17000600	996530069804	BLACK CARAFE INSERT BODY NPR/T				421944009021	WHT PREFORM.TEFLON TUBE SUPP.V2 NPRASSY	
09	11030842	996530072651	MATT/BLK HOT WATER DISPENSER NPR/T ASSY.					FOR 230v - UP TO S/N TU901335143351	
10	11024039	996530067613	3WAY EV OT57 (31JN1XRV20-SXT+LBV05024CU)	KEEP FOR 120v				FOR 230v - FROM S/N TU901335143352	
11	140328059	996530013564	OR 2015 SILICONE PTFE/FDA		44	17001142	996530069799	BLK CARAFE INSERT BODY REAR COVER NPR/T	
12	17000114	996530068077	FLOW SELECTOR FAUCET NPR		45	11005395	996530002873	STEEL MILK CONTAINER SUPPORT SPRING P124	
13	12000893	996530007948	OR ORM 0120-20 BLACK EPDM		46	17001205	996530069867	BLK LOWER BODY HOT WATER DISPENS.NPR/T	
14	11008104	996530004722	MUSHROOM VALVE FOR FLOW SELECTOR P0057		47	17001215	996530069842	BLACK HOT WATER DISPENSER TUBE NPR/T	
15	11008105	996530004723	FLOW SELECTOR VALVE SUPPORT P0057		48	129913902	996530013164	SCREW TCB TORX 10 3X12 PLAST.ZN-B	
16	11008077	996530004709	STEEL FLOW SELECTOR VALVE SPRING P0057		49		421944016761	SCREW TCBR TORX 10 3,5X12 PLAST.ZN-NI	
17	11008106	996530004724	FLOW SELECTOR VALVE CAP P0057						
18		421941215942	BLK SLIM/EXSL TUB.BOILER SUPPORT V2						
19	129823802	996530013077	TCB SCREW M4X8 UNI 7687 ZNP						
20	12001033	996530007973	THERMOSTAT ONE SHOT 190°						
21	11001751	996530000997	TUB.BOILER V3 UPPER THERM.FIXING SPRING						
22	12001280	996530008024	SCREW TSP TORX 10 5X20 PLAST.ZN-B		11026286	996530068717	996530068717	HP/SLIM TUB.BOILER STD 1900W 230V ASSY.	COMPLETE
23	17000346	996530068751	HP/SLIM TUB.BOILER 1900W 230V ASSY.	230V-1900W				WITH PART.N°19 - 20 - 21 - 23 - 31	
	11023153	996530007586	SLIM TUB.BOILER 1300W 120V ASSY.	120V 1300W	11026684	996530069761	996530069761	SLIM TUB.BOIL.C1 T190°-190°1300W 120V AS	COMPLETE
24	11024863	996530068178	L-F/BR.SAFETY VALVE 16-18 BAR ASSY.					WITH PART.N°19 - 20 - 21 - 23 - 31	



PHILIPS

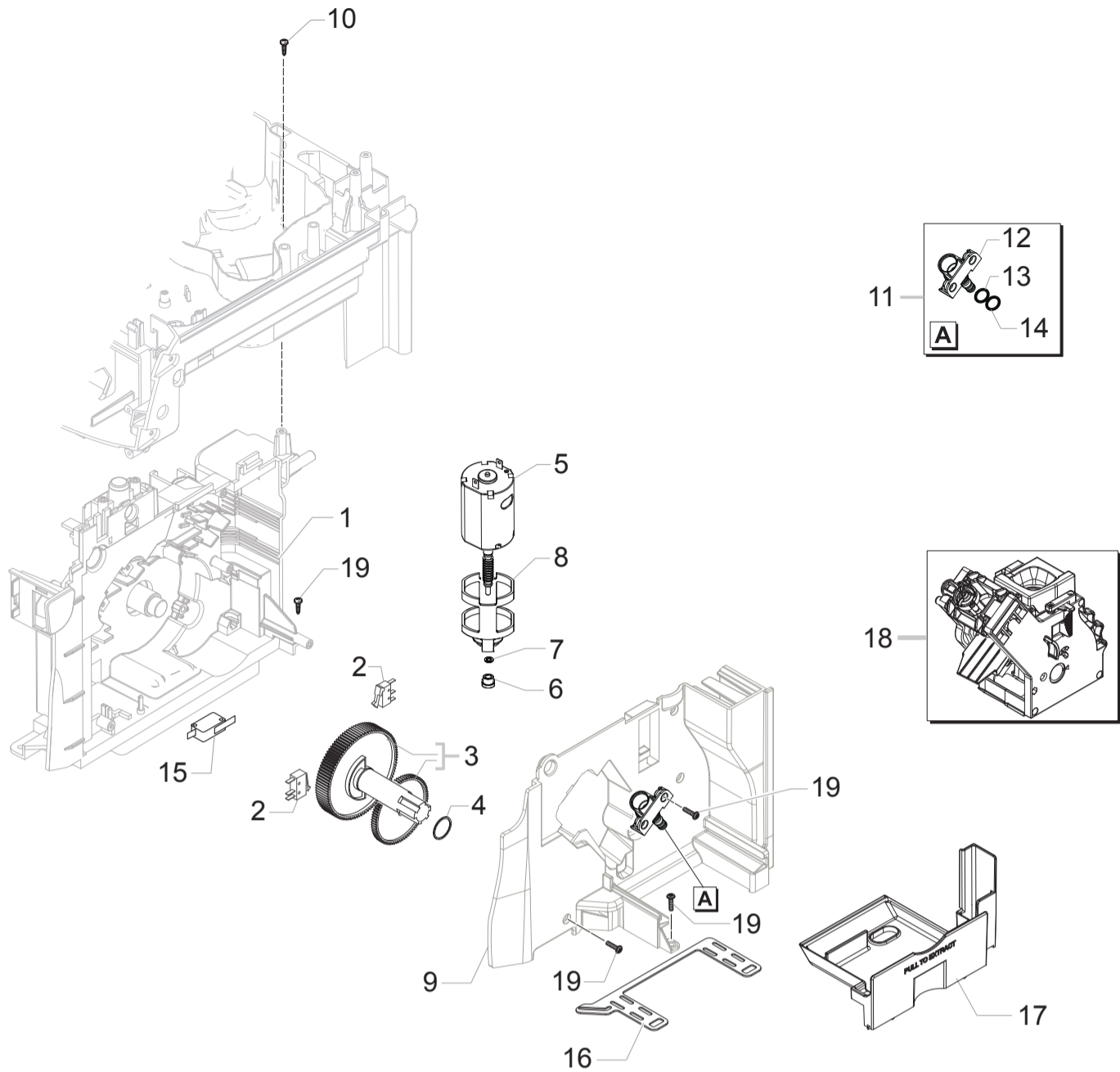
Saeco

HD8753/04-06-11-12-15-19-23
 HD8753/25-71-79
 HD8753/81-82-83-84-87-88-89



Cod.10004081-84-3884-4079-82-85-80
 Cod.10004233-882875371010-5379300
 Cod.10003987-4106-07-09-4228-4100-08

POS	CODE	12NC	DESCRIPTION	NOTE	POS	CODE	12NC	DESCRIPTION	NOTE
01	11010031	996530005586	TEA/ZAMA INCREASE SCREW GRINDER		34		421946000121	2P.CONN.COF.GRINDER MOTOR V2 NPR UL ASSY	
02	129574802	996530012928	SCREW TCB TORX 20 M4X30 ZN-B		35	11003446	996530001673	BLACK BEAN COFFEE GRINDER INSERT P0049	
03		421941094152	BLK COF.GRINDER UPPER GRINDER SUPPORT V2		36	17001921	996530072477	BLK WIRING FIX INSERT FOR GRINDER BOARD	
04	140328960	996530013577	OR ORM 0530-15 NBR FDA						
05	146520100	996530016342	BAKED CLAY GRINDER 48X28			11026298	996530068697	GEN.MOTOR COFFEE GRINDER NPR 230V ASSY.	230V
06	11012466	996530006412	BRASS BUSH BEAN CONT.FINGER PROTEC.P0057			11028279	996530071878	GEN.MOTOR COFFEE GRINDER NPR 120V ASSY.	120V USA/BRA/TW
07	149198350	996530017952	BLK LOWER COFFEEGRINDER GRINDER SUPPORT				421944035921	GEN.MOTOR COF.GRINDER NPR 230V CHN ASSY.	CHN
08	123030300	996530011183	AXIAL BEARING EKKO 342.35252						
09	140360500	996530013597	FELT RING 45,4X39,4X4						
10	128310402	996530012341	GALV.WASHER UNI 8842 A4						
11	11026355	996530068049	BLK GROUND COFF.OUTLET CONVEYOR V4 ASSY.						
12		421944060561	GRY GROUND COF.CONT.LOWER SEAL V2 SMART1						
13	226000300	996530029609	GEAR SX Z=38 FOR GRINDER MOTION ASSY.						
14	11000513	996530000317	MOTOR COFFEEGRINDER V3.1 230V ASSY.	230V					
			HD8753/04-11-12-19-23-25-71-81-82-83-84-88-89						
		421944035341	MOTOR COFFEEGRINDER V3.1 230V CHN ASSY.	HD 8753/15					
		421941305001	MOTOR COFFEEGRINDER V3.1 120V ASSY.	HD 8753/06-87					
15	149214800	996530018139	MC V3 MOD=1,25 WORM SCREW CENTRING CAP						
16	129661702	996530012992	SCREW TCB TORX 3,5X30 PLAST.ZN-B						
17	11002873	996530001389	INSULATOR BUSH FOR GRINDER MOTOR P124						
18	11000597	996530000376	STEEL COF.GRINDER SUPPORT SPRING P124						
19	11014285	996530007058	BLK V2 BEAN CONTAIN.FINGER PROTECT.P0057						
		421944001511	TRANS.BEAN CONT.FINGER PROTECT.V3 NPR UL	FOR USA					
20	128381902	996530012375	STEEL FLAT WASHER DI=4,3 DE=14 SP=1,5						
21	149199050	996530017963	BLK SENSOR SUPPORT FOR COF.GRINDER MOTOR						
22	11000194	996530000115	BLACK COFFEEGRINDER MOTOR SUPPORT P124						
23	181540900	996530022784	ELECTR.BOARD WITH SENSOR HAL506 SF-K						
24	123030200	996530011182	RADIAL BEARING 61900.2RS1						
25	128381800	996530012374	STEEL CRINKLE WASHER 21,8X14X0,25						
26	142905450	996530015258	BLK UPPER BODY WITH COFFEE GROUND OUTLET						
27		421946000091	3P.CONN.MC SENSOR V2 NPR UL ASSY.						
28	11002613	996530001314	LOWER COFFEEGRINDER GEAR SUPPORT P124						
29	11002572	996530001308	COFFEEGRINDER REGULATION SPRING P124						
30	11003784	996530001907	COFFEE GRINDING ADJUSTMENT GEAR P0049						
31	U043.004	996530061808	ZN-B TCB SCREW M4X16						
32	11002508	996530001296	UPPER COFFEEGRINDER GEAR SUPPORT P124						
33	129914002	996530013165	SCREW TCB TORX 10 3,5X16 PLAST.ZN-B						



PHILIPS

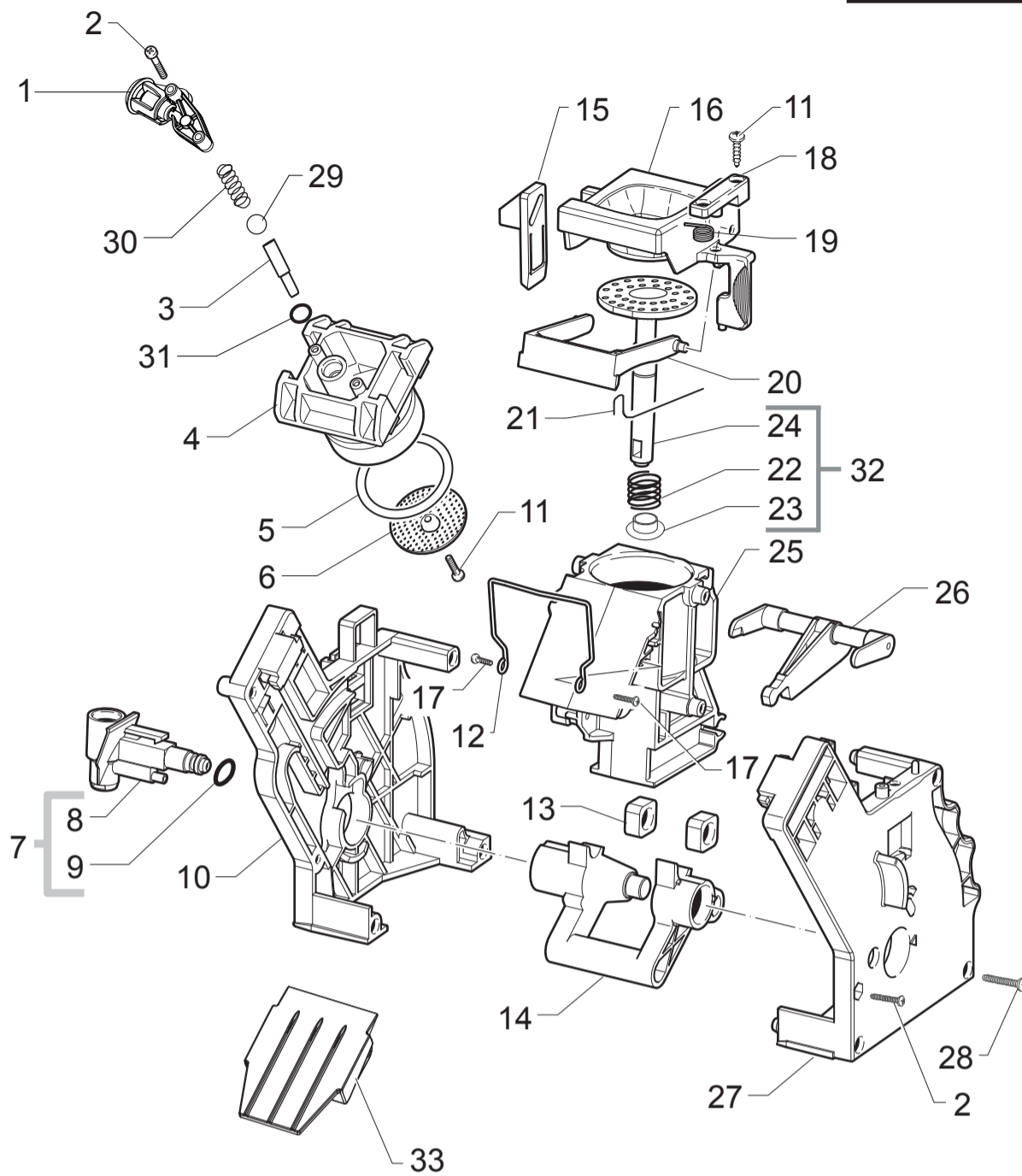
Saeco

HD8753/04-06-11-12-15-19-23
 HD8753/25-71-79
 HD8753/81-82-83-84-87-88-89



Cod.10004081-84-3884-4079-82-85-80
 Cod.10004233-882875371010-5379300
 Cod.10003987-4106-07-09-4228-4100-08

POS	CODE	12NC	DESCRIPTION	NOTE	POS	CODE	12NC	DESCRIPTION	NOTE
01			PARTICULAR NOT AVAILABLE						
02	NE05.038	996530058869	MICROSWITCH SAIA XCG5-81-P5						
03	20000900	996530009913	SPARES KIT GEARS FOR RATIOMOTOR V2						
04	9161.132	996530050569	MYLAR WASHER FOR RATIOMOTOR						
05	11005214	996530002796	MOTOR FOR RATIOMOTOR P124 ASSY.						
06	9121.046	996530049898	BRONZE SINTERED BUSH FOR MOTOR RATIOMOT.						
07	148380200	996530017424	BAKELIZZATE WASHER D=5,5						
08	9121.044	996530049896	ANTIVIBRATION FOR MOTOR						
09			PARTICULAR NOT AVAILABLE						
10	12000450	996530007819	SCREW TCBR TORX 10 3,5X12 PLAST.ZN-N						
11		421944060181	PIN FOR FLOW SEL.FAUCET V2 PPS P0057 AS						
12		421944059371	PIN FOR FLOW SELECT.FAUCET PPS V2 P0057						
13	NM01.035	996530059399	OR ORM 0090-20 SILICONE						
15	NE05.013	996530058847	MICROSWITCH SAIA XGK52-81-J23						
16	11013205	996530006688	BLACK SEAL FOR RATIOMOTOR PLATE XSM						
17	17001336	996530068732	GREY BREW UNIT DRAWER COFFEE NPR						
18		421944053951	BLK/YLW BREW UNIT 8GR.5BAR V4 HGO						
19		421944016761	SCREW TCBR TORX 10 3,5X12 PLAST.ZN-NI						



PHILIPS

Saeco

HD8753/04-06-11-12-15-19-23
 HD8753/25-71-79
 HD8753/81-82-83-84-87-88-89



Cod.10004081-84-3884-4079-82-85-80
 Cod.10004233-882875371010-5379300
 Cod.10003987-4106-07-09-4228-4100-08

POS	CODE	12NC	DESCRIPTION	NOTE	POS	CODE	12NC	DESCRIPTION	NOTE
01		421944065221	BLK BREW UNIT COF.OUTLET SLEEVE SMR ASSY						
02	12000550	996530007838	SCREW TCB TORX 10 3X25 PLAST.SS						
03	11009276	996530005372	BLK COUNTER PISTON TUBE BREW UNIT S0053						
04	11001840	996530001046	BLACK COUNTER PISTON BREW UNIT 8GR.P124						
05	NM01.044	996530059406	OR ORM 0320-40 SILICONE PTFE/FDA						
06	9161.268	996530050709	PERCOLATOR DE=35,8 ELFO						
07	20000440	996530009825	BLACK WATER INLET SLEEVE BREW UNIT ASSY.						
08	9161.064.050	996530050488	BLACK WATER INLET SLEEVE BREW UNIT ROYAL						
09	NM02.007	996530059441	OR 2025 IN TERMOIL						
10	9161.375.050	996530050832	BLACK BREW UNIT REAR PLATE SMART						
11	12000895	996530007951	SCREW TSP TORX 10 3X10 PLAST.SS						
12	11001556	996530000898	SS BREW UNIT SPRING H=49 SMART						
13	9161.094.050	996530050539	BLACK BREW UNIT DRILLED BLOCK						
14		421944051231	YLW BREW UNIT ELBOW SHAFT M5000						
15		421944046931	YLW BREW UNIT COUPLING PLATE V2 SMART						
16	149261350	996530018241	BLACK HOPPER DOSER BREW UNIT SMART1						
17	129912521	996530013148	SCREW TCB TORX 10 3,5X14 PLAST.SS						
18		421944050711	YLW BREWUNIT HOPPER BLOCKING PLATE SMART						
19	9161.378	996530050838	SS HOPPER SPRING FOR BREW UNIT SMART						
20	11004161	996530002096	BLACK SCRAPER FOR BREW UNIT M5000						
21	9161.046	996530050455	SS SCRAPER SPRING FOR BREW UNIT						
22	9161.198	996530050627	SS.8GR.BREW UNIT PISTON SPRING						
23	9161.191	996530050618	WHITE 8GR.-12GR.BREW UNIT PISTON BUSH						
24		421944025621	BLK BREW UNIT INTEGR.PISTON 8GR.V3 ASSY.						
25	11003075	996530001448	BLACK COFFEE CONTAINER BREW UNIT P124						
26	11003078	996530001452	BLACK CONNECTING ROD BREW UNIT 8GR.						
27	11005920	996530003228	BLACK BREW UNIT FRONT PLATE S/SCR.SMART						
28	12000897	996530007953	SCREW TCB TORX 10 3,5X20 PLAST.SS						
29		421944034451	BOROSILICATE SPHERE D.5 MM						
30	11012095	996530006305	SS COFFEE UNIT CONTERPISTON SPRING S0053						
31	140328761	996530013575	OR ORM 0060-15 TERMOIL						
32		421944029791	BLK BREW UNIT 8GR.INT.PISTON GEN.V3 ASSY						
33	17000663	996530073322	BLK BREW UNIT CONVEYOR SLIDE L=76,8						
		421944053951	BLK/YLW BREW UNIT 8GR.5BAR V4 HGO						