

HD8760/01-09  
HD8760/11 HD8765/47

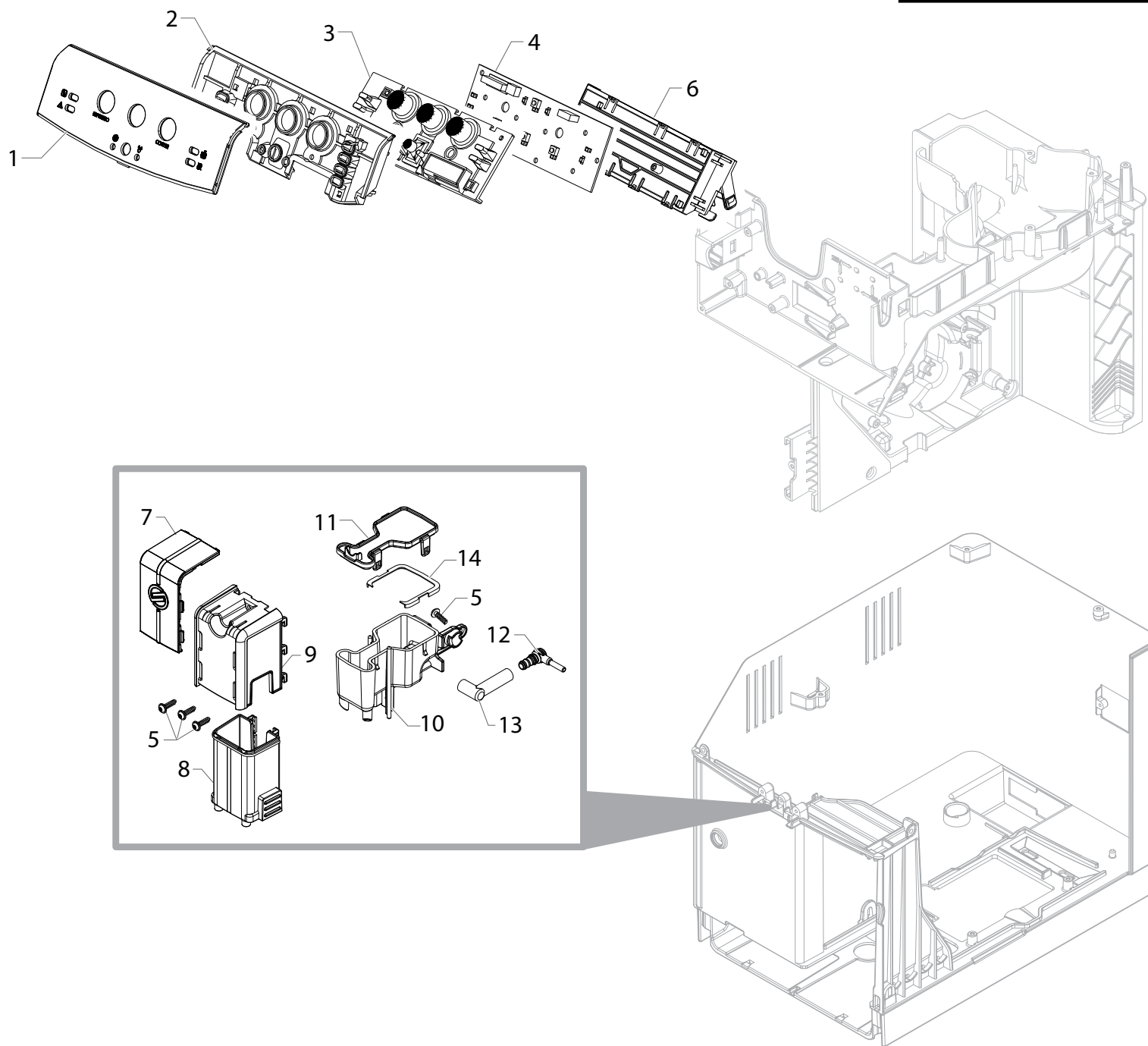


Cod.882876001010-882876009010  
Cod.882876011010-882876547540

POS	CODE	12NC	DESCRIPTION	NOTE	POS	CODE	12NC	DESCRIPTION	NOTE
01	127390100	996530011867	BRUSH FOR CLEANING		33		421944062411	TR./GRY GROUND COF.HOPPER LID S/SCR.SMR	
02	11003785	996530001908	BLACK GRINDER ADJUSTMENT KEY P0049		34	17001207	996530073477	TRANSP/GREY BEAN COFF.CONT.LID SMR	
03		421946001591	BLK POWER CABLE SCHUKO L=800				421944025441	BLK BEAN COF.CONT.LID V2 SMR/B-H-P	
	183921950	996530025843	BLK POWER CABLE SJT3 USA UL L=1200	HD8765/47			421944010481	BLK BEAN COF.CONT.LID SMR/HS ASSY.	HD8765/47
04	129913202	996530013156	SCREW TCB TORX 10 3X8 PLAST.ZN-B				421944027571	BLK BEAN COF.CONT.LID V2 SMR/HS ASSY.	
05		421946017941	KLUBERLUB NH1 11-222 TUBE 5GR.				421944027111	CRC UPP.CASING COVER V3 S/SCR.SMR/B	
06		421940812921	KIT PS-E INSERT FOR BOX SMR				421944011031	M/BLK UPP.CASING COV.V2 S/SC.SAE SMR/H-P	HD8765/47
07		421944034711	DISPL.BOX V3 SMR/B SAE MINUTO				421944027391	M/BLK UPP.CASING COV.V4 S/SC.SAE SMR/H-P	
		421944016581	DISPL.BOX SMR/BS SAE MINUTO PURE USA	HD8765/47			242212625104	SWI POW 2P 12A 250V FASTON GP12H B	
08	11013184	996530006683	RED FLOAT FOR DRIP TRAY XSM		35	11031523	996530073462	BLACK INFRAREDS PLATE RYL	
09	17001568	996530073458	MATT/BLACK DRIP TRAY SMR/B-H-P		36	9161.111	996530050555	MAGNET FOR FLOAT SUPERAUT.	
10	17001032	996530073466	SB/SS GRATE FOR DRIP TRAY SMR/B-H-P		37	11013220	996530069857	STEEL PLATE FOR DOOR MAGNET XSM	
11		421944014691	M/BLK DRIP TRAY INSERT V2 SMR		38	17001065	996530073429	MATT/BLACK RIGHT SIDE DOOR SMR	
		421944014751	CRC DRIP TRAY INSERT V2 SMR	HD8760/11		11031665	996530073502	CRC RIGHT SIDE DOOR SMR	HD8760/11
12	12000280	996530007788	CUP SOCKET EN 60320 C 13		39	17001450	996530073669	MATT/BLK UPPER COVER CASING S/SCR.SMR/B	HD8760/01-09
13	17001005	996530073483	BLACK DUMP BOX INSERT NPR				421944027091	M/BLK UPP.CASING COVER V3 S/SCR.SMR/B	
14		421944060591	BLK DUMP BOX V2 SMR				421944022101	CRC UPP.CASING COVER S/SCR.SMR/B	HD8760/11
15	17001556	996530073468	TRANSP.SILICONE FOOT SMR				421944027111	CRC UPP.CASING COVER V3 S/SCR.SMR/B	
17		421941308311	KIT SPARES CPU+SW SMR/B 230V ASSY				421944011031	M/BLK UPP.CASING COV.V2 S/SC.SAE SMR/H-P	HD8765/47
		421941308221	CPU+SW H2S4 SMR 230V ASSY.				421944027391	M/BLK UPP.CASING COV.V4 S/SC.SAE SMR/H-P	
		421941302461	CPU+SW SMR 120V NA ASSY.	HD8765/47			242212625106	SWI POW 2P 10A 250V FASTON 8500 B	HD8765/47
18	17001484	996530068728	MATT/BLK REAR CASING PROGRAM.INSERT NPR		40		242212625104	SWI POW 2P 12A 250V FASTON GP12H B	
	11031663	996530073499	CRC REAR CASING PROGRAM.INSERT NPR	HD8760/11	41	17001025	996530073478	M/BLK FRONT PANEL CAP SMR	HD8765/47
19	0301.961	996530039604	STICKER FOR WATER HARDNESS TEST		42		421944009411	BLK REED SUPPORT SMR	HD8765/47
20	17001363	996530073476	NAT/GREY WATER CONTAINER SMR ASSY.		43	17800442	996530073661	2P.CONN.SENS.REED DUMP BOX CST UL ASSY.	HD8765/47
21	17001366	996530073463	BLACK LID FOR DUCKBILL VALVE SMR		44	12000895	996530007951	SCREW TSP TORX 10 3X10 PLAST.SS	HD8765/47
22	11003671	996530001829	TRANSP.VALVE FOR WATER CONTAINER P0049		46	179990300	996530022764	BAND FOR LIFTING L=1550MM H=300MM	HD8765/47
23		421941157852	GRY WATER CONTAINER VALVE INSERT P0049		47		421944023921	BLK LIDS FIXING INSERT SMR	
24	11003672	996530001831	SS SPRING FOR WATER CONTAIN.VALVE P0049		48		421944014401	WHT EXTERNAL BOX SMR SAE MINUTO	HD8765/47
25	140328461	996530013571	OR ORM 0190-10 EPDM		49		421944040451	BLK CONT.SEP.INSERT SMR	
26	224640200	996530029115	WHITE WATER CONTAINER EXT.FILTER ASSY.	WITH PART N° 25					
27	17001322	996530073442	BLACK WATER CONTAINER HANDLE SMR						
28	17001474	996530073436	BLACK WATER LEVEL SENSOR SUPPORT SMR						
29	11003232	996530001522	AS.CPU+SW WATER LEVEL SENSOR V2						
30		421946000021	3POLES CONNECTOR WATER LEVEL SMR UL						
31	12001728	996530070321	SCREW TCB TORX 10 3,5X12 PLAST.SS						
32	17001209	996530073425	TRANSP/GREY WATER CONTAINER LID SMR						
		421944025451	BLK WATER CONTAINER LID V2 SMR						
			FROM S/N. TW901424339073						



MINUTO PURE



HD8760/01-09  
HD8760/11 HD8765/47

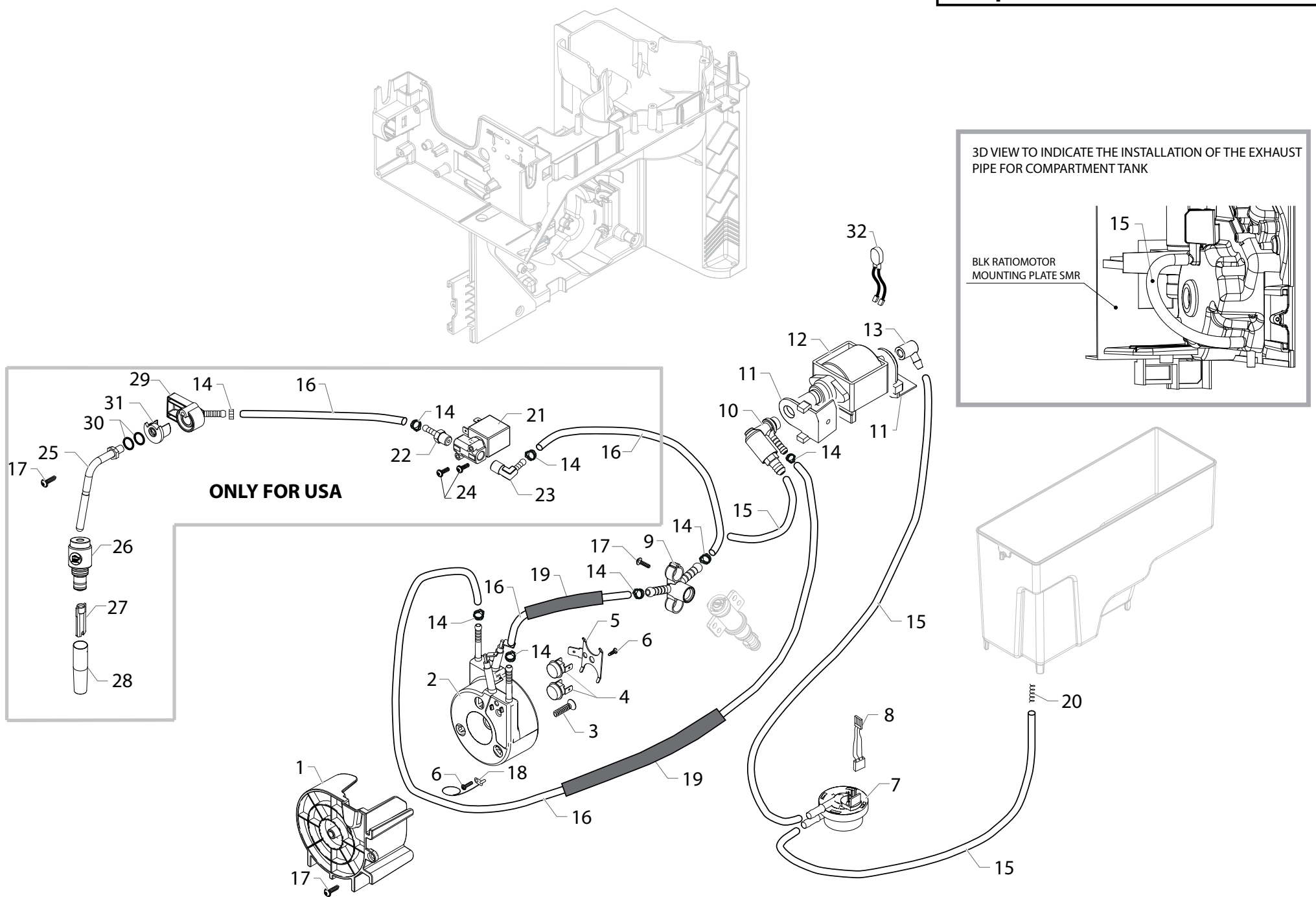


Cod.882876001010-882876009010  
Cod.882876011010-882876547540

POS	CODE	12NC	DESCRIPTION	NOTE	POS	CODE	12NC	DESCRIPTION	NOTE
01	-	421946017041	BLK LED FRONT PANEL S/SCR.V3 SMR/B						
	-	421944009091	BLK LED FRONT PANEL V2 S/SCR.SMR/B	HD8765/47					
02	-	421944007551	BLK FRONT.PANEL MEMBRANE SUPP.SMR/B						
	-	421944006851	BLK FRONT.PANEL MEMBRANE SUPP.V2 SMR/B	HD8765/47					
03	11030952	996530073666	WHITE FRONT.PANEL MEMBRANE S/SCR.SMR/B						
	-	421944009081	WHT FRON.PANEL MEMBRANE V2 S/SCR.SMR/B	HD8765/47					
04	11030967	996530073679	KYB - LED SMR						
	-	421941300311	KYB - LED USA SMR	HD8765/47					
05	12000450	996530007819	SCREW TCBR TORX 10 3,5X12 PLAST.ZN-N						
06		421944007221	BLK LED KEYBOARD SUPPORT SMR						
07	17002122	996530073486	SS COFFEE DISPENS.FRONT PLATE SMR ASSY.						
08	17000781	996530073432	MATT/BLK COFFEE DISPENS.MOBILE PART SMR						
09	17002059	996530073432	MATT/BLACK COFFEE DISPENSER LID SMR						
10	17001022	996530073451	BLACK COFFEE DISPENSER BODY SMR						
11	-	421944017631	BLK COFFEE DISPENSER BODY LID V3 SMR						
12	17001849	996530073464	BLK BREW UNIT COFFEE OUTLET CONNECT.SMR						
13	17000955	996530073471	TRANS.BREW UNIT COF.OUTLET CONN.TUBE SMR						
14	-	421944017651	BLK COFFEE DISPENSER BODY SEAL SMR						



MINUTO PURE



HD8760/01-09  
HD8760/11 HD8765/47



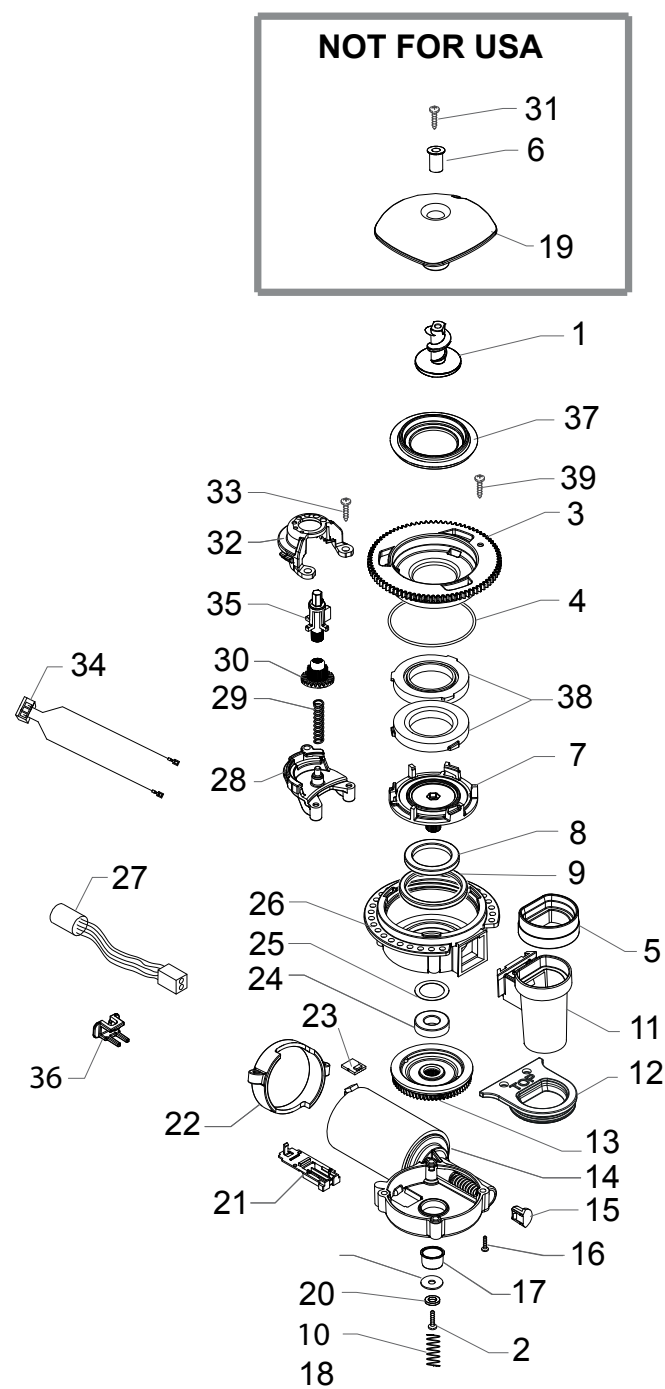
Cod.882876001010-882876009010  
Cod.882876011010-882876547540

POS	CODE	12NC	DESCRIPTION	NOTE	POS	CODE	12NC	DESCRIPTION	NOTE
01		421944040831	BLK SLIM TUB.BOILER SUPPORT V2 SMR						
02	17000346	996530068751	HP/SLIM TUB.BOILER ASSY.	230V-1900W		421944051651	HP/SLIM TUB.BOILER V2 SMR 1900W 230V AS.	COMPLETE	
	11023153	996530007586	SLIM TUB.BOILER 1300W 120V ASSY.	120V-1300W		421944010421	SLIM TUB.BOILER SMR 1300W 120V ASSY.	COMPLETE	
03	12001280	996530008024	SCREW TSP TORX 10 5X20 PLAST.ZN-B						
	12001369	996530008039	SCREW TSP TORX 10 5X35 PLAST.SS	HD8765/47					
04	12001033	996530007973	THERMOSTAT ONE SHOT 190°						
05	11001751	996530000997	TUB.BOILER V3 UPPER THERM.FIXING SPRING						
06	12001715	996530069758	SCREW TCB TORX 20 M4X8 AUTOFORMING ZN-B						
07	NV99.099	996530059843	TURBINE D=1,2 932-8521/00 ASSY.						
08	17800686	996530073488	3POLES CONNECTOR FLOWMETER SMR UL						
09		421944009211	NEU.CONNECTOR FOR PIN BOILER SMR/B						
	17000727	996530073427	BLK CONNECTOR FOR PIN BOILER SMR	HD8765/47					
10	11004689	996530002484	TEA/BRASS SAFETY VALVE 16-18 BAR ASSY.						
11	149205850	996530018056	BLACK TYPE ULKA PUMP W/BEVEL SUPPORT						
12	12000140	996530007753	ULKA PUMP EP5/S GW 230V-50HZ	230V-50HZ					
		421941305991	ULKA PUMP EP5FMGW 230V-50HZ	HD8760/11					
	12000142	996530007754	ULKA PUMP EAP5/S 120V-60HZ	120V-60HZ					
13	11002149	996530001186	BLACK PUMP OUTLET 90°CONNECTOR P0049/A						
14	12000892	996530007947	OETIKER CLAMP D=9,5 16700004						
15	JS01.022	996530057357	SILICONE TUBE 5X10 60SH	IN ROLL					
16	16000380	996530009505	5X8,9 SILICONE TUBE	IN ROLL					
17	12000450	996530007819	SCREW TCB TORX 10 3,5X12 PLAST.ZN-N						
18	17800628	996530073428	TEMPERATURE SENSOR NTC UL L=550MM						
19	16000540	996530009523	TRANSPAR.11X12,8 SILICONE TUBE	IN ROLL					
20	0701.081	996530073439	SPRING FOR TUBE PRODUCT 1						
21	11024038	996530067667	2WAY EV OT57 (21JN1RRV20-XT+LBV05024CU)	HD8765/47					
22	11024868	996530070371	L-F/BRASS CONNECT.FOR ALUM.BOILER	HD8765/47					
23	11024469	996530067632	L-F/BRASS CONNECT.FOR BOILER AURA	HD8765/47					
24	129823802	996530013077	SCREW TCB M4X8 UNI 7687 ZNP	HD8765/47					
25	11030926	996530073447	TF/CHROM.STEAM TUBE SMR ASSY.	HD8765/47					
26		421941300671	BLK/SIL.STEAM TUBE HANDGRIP G0053	HD8765/47					
27	11001620	996530000925	BLK PANNARELLO INNER TUBE P0049	HD8765/47					
28	11001769	996530001012	BLK PANNARELLO COVER P0049	HD8765/47					
29	17001029	996530073457	STEAM TUBE SUPPORT SMR	HD8765/47					
30	140324461	996530013509	OR ORM 0060-20 TERMOIL	HD8765/47					
31	17001028	996530073456	BLK BUSH FOR STEAM TUBE SMR	HD8765/47					
32	17800635		2P.CONN.PUMP SMR UL ASSY.						



MINUTO PURE





**Saeco**  
INTERNATIONAL GROUP

HD8760/01-09  
HD8760/11 HD8765/47



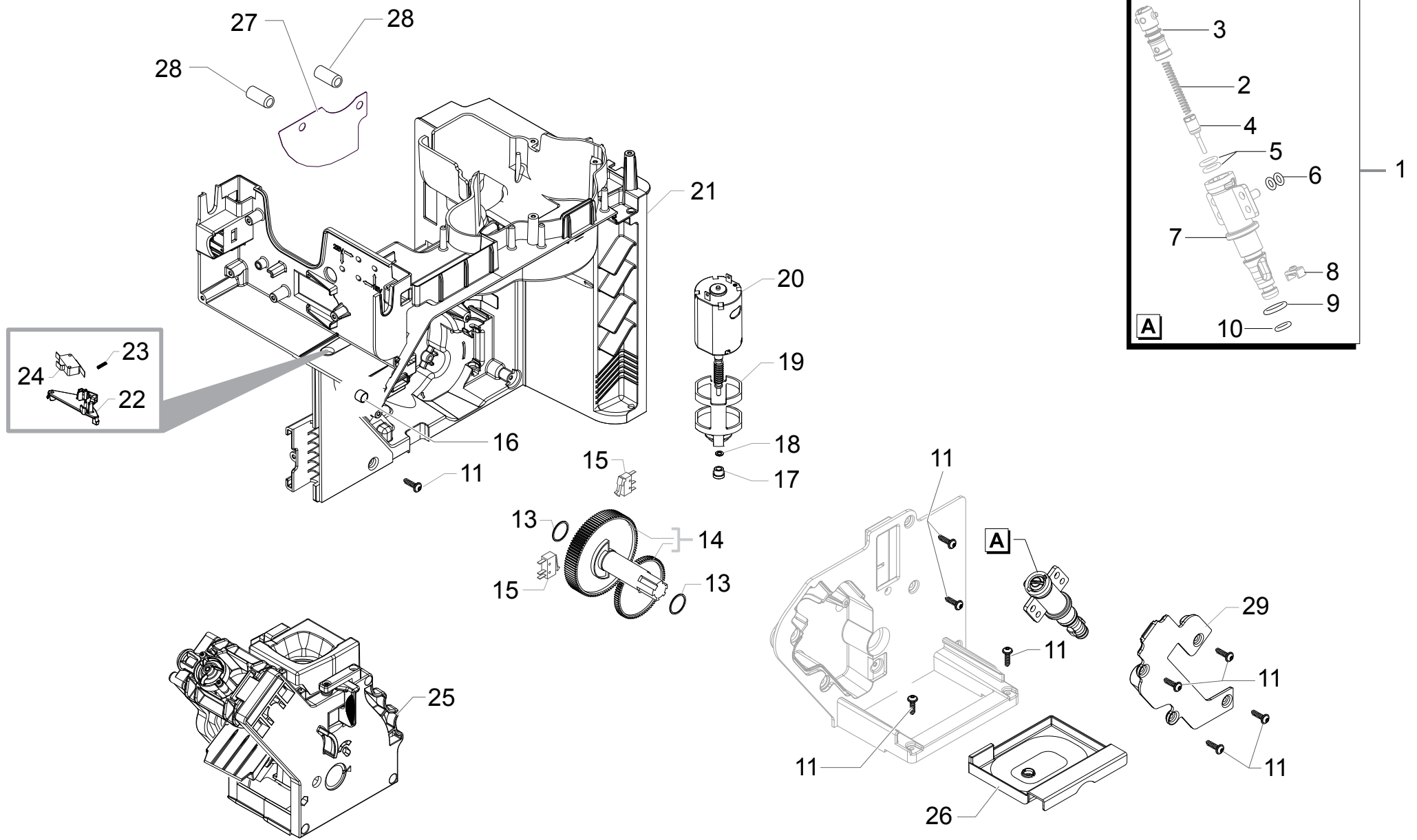
Cod.882876001010-882876009010  
Cod.882876011010-882876547540

POS	CODE	12NC	DESCRIPTION	NOTE	POS	CODE	12NC	DESCRIPTION	NOTE
01	11010031	996530005586	TEAZAMA INCREASE SCREW GRINDER		35		421944025161	YLW BEAN COFFEE GRINDER INSERT SMR	
02	129574802	996530012928	SCREW TCB TORX 20 M4X30 ZN-B		36	17001921	996530072477	BLK WIRING FIX INSERT FOR GRINDER BOARD	
03		421944053581	BLK COF.GRINDER UPPER GRINDER SUPPORT V3		37		421941085872	COFFEE GRINDER SEAL P119 GRY 7035	
04	140328960	996530013577	OR ORM 0530-15 NBR FDA		38	146520100	996530016342	BAKED CLAY GRINDER 48X28	
05	145854360	996530015958	BLK GROUND COFFEE CONT.UPPER SEAL SMART1		39	12001622	996530068586	SCREW TCB TORX B 3,5X9,5 SCHEET NIK	
06	11012466	996530006412	BRASS BUSH BEAN CONT.FINGER PROTEC.P0057				421944054581	GEN.MOT.COF.GRINDER V2 SMR/H-P-T AS	230V
07	149198350	996530017952	BLK LOWER COFFEEGRINDER GRINDER SUPPORT				421944054601	GEN.MOT.COF.GRINDER V2 SMR/H-P-T AS	120V
08	123030300	996530011183	AXIAL BEARING EKKO 342.35252						
09	140360500	996530013597	FELT RING 45,4X39,4X4						
10	128310402	996530012341	GALV.WASHER UNI 8842 A4						
11	11026355	996530068049	BLK GROUND COFF.OUTLET CONVEYOR V4 ASSY.						
12		421944060561	GRY GROUND COF.CONT.LOWER SEAL V2 SMART1						
13	226000300	996530029609	GEAR SX Z=38 FOR GRINDER MOTION ASSY.						
14	11000513	996530000317	MOTOR COFFEEGRINDER V3.1 230V ASSY.						
		421941305001	MOTOR COFFEEGRINDER V3.1 120V ASSY.						
15	149214800	996530018139	MC V3 MOD=1,25 WORM SCREW CENTRING CAP						
16	129661702	996530012992	SCREW TCB TORX 3,5X30 PLAST.ZN-B						
17	11002873	996530001389	INSULATOR BUSH FOR GRINDER MOTOR P124						
18	11000597	996530000376	STEEL COF.GRINDER SUPPORT SPRING P124						
19	17001008	996530073467	TRANS.BEAN CONTAIN.FINGER PROTECT.SMR UL						
20	128381902	996530012375	STEEL FLAT WASHER DI=4,3 DE=14 SP=1,5						
21	149199050	996530017963	BLK SENSOR SUPPORT FOR COF.GRINDER MOTOR						
22	11000194	996530000115	BLACK COFFEEGRINDER MOTOR SUPPORT P124						
23	181540900	996530022784	ELECTR.BOARD WITH SENSOR HAL506 SF-K						
24	123030200	996530011182	RADIAL BEARING 61900.2RS1						
25	128381800	996530012374	STEEL CRINKLE WASHER 21,8X14X0,25						
26	142905450	996530015258	BLK UPPER BODY WITH COFFEE GROUND OUTLET						
27	17800302	996530068114	3POLES CONNECTOR MC SENSOR NPR UL						
28	11002613	996530001314	LOWER COFFEEGRINDER GEAR SUPPORT P124						
29	11002572	996530001308	COFFEEGRINDER REGULATION SPRING P124						
30	11003784	996530001907	COFFEE GRINDING ADJUSTMENT GEAR P0049						
31	U043.004	996530061808	ZN-B TCB SCREW M4X16						
32	11002508	996530001296	UPPER COFFEEGRINDER GEAR SUPPORT P124						
33	129914002	996530013165	SCREW TCB TORX 10 3,5X16 PLAST.ZN-B						
34	17800301	996530068113	2POLES CONNET.COFFEEGRINDER MOTOR NPR UL						

**Saeco**  
INTERNATIONAL GROUP

MINUTO PURE

TABLE 4/6

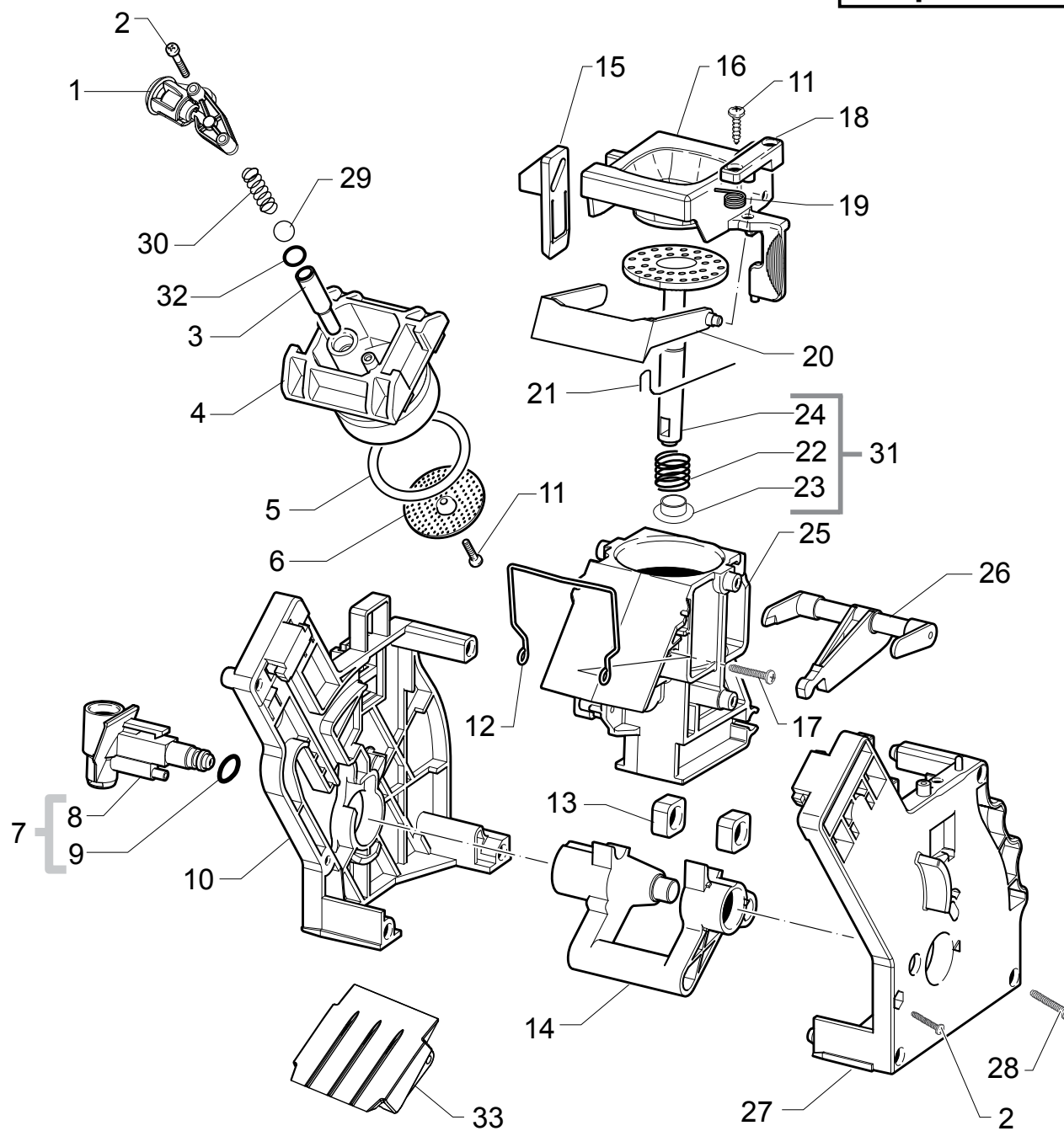


HD8760/01-09  
HD8760/11 HD8765/47



Cod.882876001010-882876009010  
Cod.882876011010-882876547540

POS	CODE	12NC	DESCRIPTION	NOTE	POS	CODE	12NC	DESCRIPTION	NOTE
01	11005060	996530002717	PIN V2 FOR BOILER P119 ASSY.						
02		NOT AVAILABLE	SS SPRING FOR PIN						
03		NOT AVAILABLE	BLACK CAP V2 FOR PIN BOILER P119						
04		NOT AVAILABLE	TEA/BRASS PISTON L=20,9 ASSY.						
05		NOT AVAILABLE	OR ORM 0060-20 SILICONE PTFE/FDA						
06	140328059	996530013564	OR 2015 SILICONE PTFE/FDA						
07		NOT AVAILABLE	NAT.PIN V2 FOR BOILER P119						
08		NOT AVAILABLE	NATURAL CURSOR V2 FOR BOILER P119						
09	NM01.035	996530059399	OR ORM 0090-20 SILICONE						
10	NM01.057	996530059419	OR ORM 0050-20 IN SILICONE						
11	12001728	996530070321	SCREW TCBR TORX 10 3,5X12 PLAST.SS						
13	9161.132	996530050569	MYLAR WASHER FOR RATIOMOTOR						
14	20000900	996530009913	SPARES KIT GEARS FOR RATIOMOTOR V2						
15	NE05.038	996530058869	MICROSWITCH SAIA XCG5-81-P5						
16	9161.111	996530050555	MAGNET FOR FLOAT SUPERAUT.						
17	9121.046	996530049898	BRONZE SINTERED BUSH FOR MOTOR RATIOMOT.						
18	148380200	996530017424	BAKELIZZATE WASHER D=5,5						
19	9121.044	996530049896	ANTIVIBRATION FOR MOTOR						
20	11005214	996530002796	MOTOR FOR RATIOMOTOR P124 ASSY.						
21		421944043602	BLK RATIOMOTOR MOUNTING PLATE V2 SMRG AS						
22	17001508	996530073469	BLACK MICRO COMPENSATOR SMR						
23		421944006861	STEEL SPRING FOR MICRO COMPENSATOR SMR						
24	12001890	996530073209	MICROSWITCH XG/V3D						
25		421944052461	BLK BREW UNIT 8GR.8BAR V3 SMR						
26		421944008911	BLK BREW UNIT DRAWER COFFEE SMR						
27		421944004861	NOMEX INSULATE PROTECTION W=0,30 SMR	HD8765/47					
28		421944010451	SILICONE TUBE 3,5X6 L= 15 MM	HD8765/47					
29	17000730	996530074054	BLK BOILER SEAT PIN COVER SMR						



HD8760/01-09  
HD8760/11 HD8765/47



Cod.882876001010-882876009010  
Cod.882876011010-882876547540

POS	CODE	12NC	DESCRIPTION	NOTE	POS	CODE	12NC	DESCRIPTION	NOTE
01		421944065221	BLK BREW UNIT COF.OUTLET SLEEVE SMR ASSY						
02	12000550	996530007838	SCREW TCB TORX 10 3X25 PLAST.SS						
03	11009276	996530005372	BLK COUNTER PISTON TUBE BREW UNIT S0053						
04	11001840	996530001046	BLACK COUNTER PISTON BREW UNIT 8GR.P124						
05	NM01.044	996530059406	OR ORM 0320-40 SILICONE PTFE/FDA						
06	9161.268	996530050709	PERCOLATOR DE=35,8 ELFO						
07	20000440	996530009825	BLACK WATER INLET SLEEVE BREW UNIT ASSY.						
08	9161.064.050	996530050488	BLACK WATER INLET SLEEVE BREW UNIT ROYAL						
09	NM02.007	996530059441	OR 2025 TERMOIL						
10	9161.375.050	996530050832	BLACK BREW UNIT REAR PLATE SMART						
11	12000895	996530007951	SCREW TSP TORX 10 3X10 PLAST.SS						
12	11001556	996530000898	SS BREW UNIT SPRING H=49 SMART						
13	9161.094.150	996530050541	GREY BREW UNIT DRILLED BLOCK						
14		421944051231	YLW BREW UNIT ELBOW SHAFT M5000						
15		421944046931	YLW BREW UNIT COUPLING PLATE V2 SMART						
16	149261350	996530018241	BLACK HOPPER DOSER BREW UNIT SMART1						
17	129912521	996530013148	SCREW TCB TORX 10 3,5X14 PLAST.SS						
18		421944050711	YLW BREWUNIT HOPPER BLOCKING PLATE SMART						
19	9161.378	996530050838	SS HOPPER SPRING FOR BREW UNIT SMART						
20	11004161	996530002096	BLACK SCRAPER FOR BREW UNIT M5000						
21	9161.046	996530050455	SS SCRAPER SPRING FOR BREW UNIT						
22	9161.198	996530050627	SS.8GR.BREW UNIT PISTON SPRING						
23	9161.191	996530050618	WHITE 8GR.-12GR.BREW UNIT PISTON BUSH						
24		421944025621	BLK BREW UNIT INTEGR.PISTON 8GR.V3 ASSY.						
25		421944014611	BLK COF.CONTAIN.BREW UNIT V2 M5000 ASSY.						
26	11003078	996530001452	BLACK CONNECTING ROD BREW UNIT 8GR.						
27	11005920	996530003228	BLACK BREW UNIT FRONT PLATE S/SCR.SMART						
28	12000897	996530007953	SCREW TCB TORX 10 3,5X20 PLAST.SS						
29		421944034451	BOROSILICATE SPHERE D.5 MM						
30	9161.222	996530050657	SS.CONICAL SPRING						
31		421944029791	BLK BREW UNIT 8GR.INT.PISTON GEN.V3 ASSY						
32	140328761	996530013575	OR ORM 0060-15 TERMOIL						
33	17000737	996530073426	BLACK BREW UNIT CONVEYOR SLIDE L=56,3						
		421944052461	BLK BREW UNIT 8GR.8BAR V3 SMR						



MINUTO PURE