

HD8761/01-03-06-08-09
 HD8761/18-43 HD8762/01-03
 HD8764/02 HD8772/47 HD8775/48

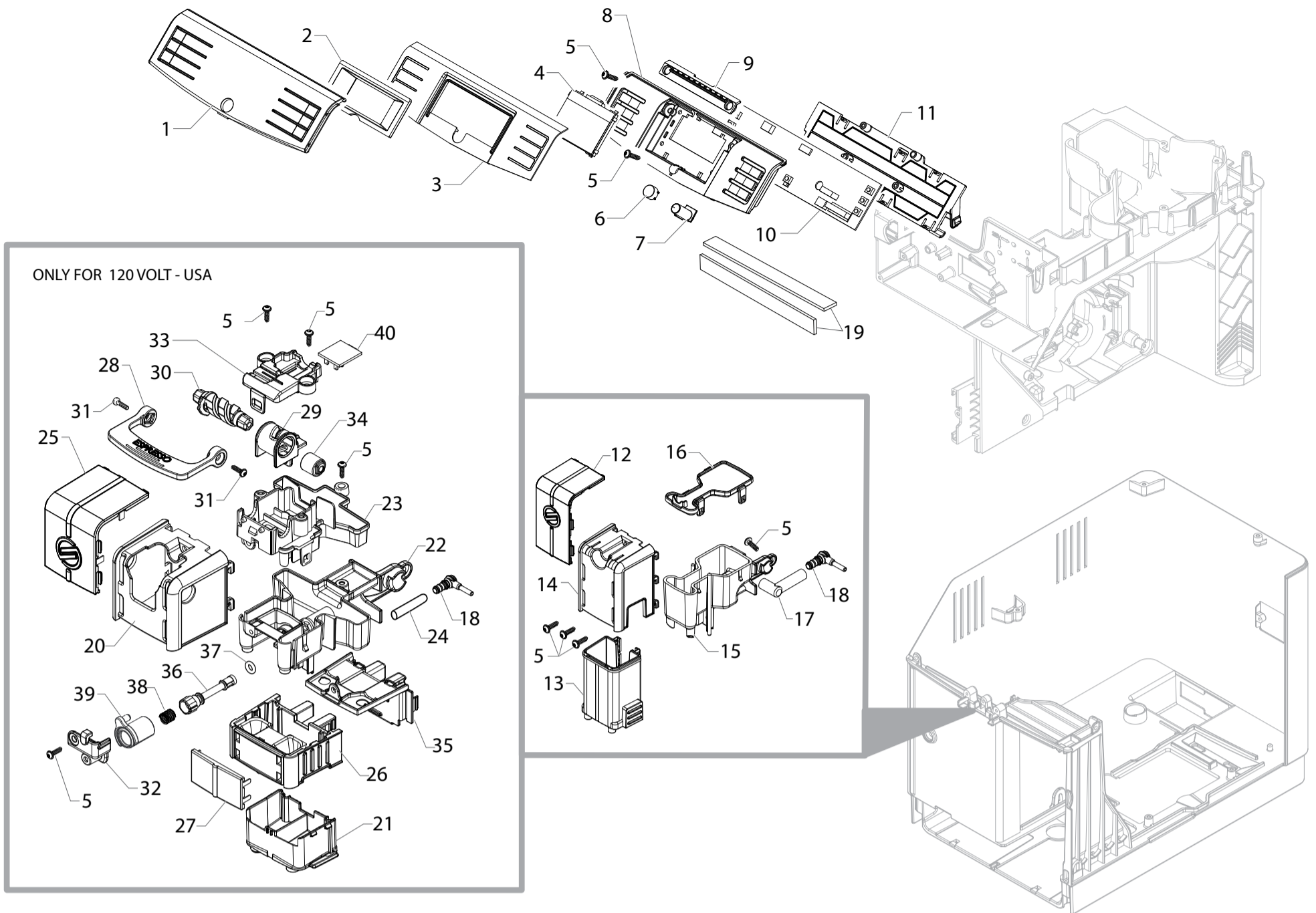


Cod. 10004334-4426-25-27-882876109010
 Cod. 882876118150-43240-10004363-4422
 Cod. 10004431-10004423-4432

POS	CODE	12NC	DESCRIPTION	NOTE	POS	CODE	12NC	DESCRIPTION	NOTE
01	127390100	996530011867	BRUSH FOR CLEANING		24	11003672	996530001831	SS SPRING FOR WATER CONTAIN.VALVE P0049	
02	146680850	996530016529	BLACK COFFEE MEASURE SMART		25	140328461	996530013571	OR ORM 0190-10 EPDM	
03	183911050	996530025808	BLACK POWER CABLE SCHUKO L=1200		26	224640200	996530029115	WHITE WATER CONTAINER EXT.FILTER ASSY.	WITH PART.25
	183940650	996530025872	BLK POWER CABLE AUSTRALIA L=1200		27	17001322	996530073442	BLACK WATER CONTAINER HANDLE SMR	
	183970350	996530025882	BLK POWER CABLE UK L=1200		28	17001474	996530073436	BLACK WATER LEVEL SENSOR SUPPORT SMR	
	11001985	996530001089	BLK POWER CABLE KOREA L=1200		29	11003232	996530001522	AS.CPU+SW WATER LEVEL SENSOR V2	
	17800019	996530009627	BLK POWER CABLE BRAZIL L=1200		30	-	421946000021	3POLES CONNECTOR WATER LEVEL SMR UL	
	183921950	996530025843	BLK POWER CABLE SJT3 USA UL L=1200		31	12001728	996530070321	SCREW TCBR TORX 10 3,5X12 PLAST.SS	
	11004246	996530002166	BLK POWER CABLE TAIWAN HVCTF L=1200		32	17001209	996530073425	BLK WATER CONTAINER LID SMR	
04	129913202	996530013156	SCREW TCB TORX 10 3X8 PLAST.ZN-B		33	11031477	996530073487	TRANSP/GREY GROUND COFFEE HOPPER LID NPR	
05	11028379	996530070318	PSA KLUBER TRIBOSTAR SIL 2 TUBE 5GR.		34	17001207	996530073477	BLK BEAN COF.CONT.LID SMR	
06		421940812921	KIT PS-E INSERT FOR BOX SMR			-	421944010481	BLK BEAN COF.CONT.LID SMR/HS ASSY.	ONLY FOR USA
07	13001698	996530073649	DISPL.BOX V2 SMR SAE MINUTO		35	11031523	996530073462	BLACK INFRAREDS PLATE RYL	
	-	421944012651	DISPL.BOX SMR/H SAE MINUTO CLASS USA		36	9161.111	996530050555	MAGNET FOR FLOAT SUPERAUT.	
	-	421944012621	DISPL.BOX SMR/P SAE MINUTO FOCUS USA		37	11013220	996530069857	STEEL PLATE FOR DOOR MAGNET XSM	
08	11013184	996530006683	RED FLOAT FOR DRIP TRAY XSM		38	17001065	996530073429	MATT/BLACK RIGHT SIDE DOOR SMR	
09	17001568	996530073458	MATT/BLACK DRIP TRAY SMR/B-H-P			11031665	996530073502	CRC RIGHT SIDE DOOR SMR	
10	17001032	996530073466	SB/SS GRATE FOR DRIP TRAY SMR/B-H-P		39	17001309	996530073435	MATT/BLK UPPER COVER CASING S/SC.SMR/H-P	
11	-	421944014751	CRC DRIP TRAY INSERT V2 SMR			11031669	996530073503	CRC UPPER COVER CASING S/SCR.SMR/H-P	
	-	421944014691	M/BLK DRIP TRAY INSERT V2 SMR			-	421944010521	CRC UPP.CASING COV.V2 S/SC.SAE SMR/H-P	
12	12000280	996530007788	CUP SOCKET EN 60320 C 13			-	421944011031	M/BLK UPP.CASING COV.V2 S/SC.SAE SMR/H-P	
13	17001005	996530073483	BLACK DUMP BOX INSERT NPR				421944012961	M/BLK UPP.CASING COV.V2 S/SC.MIN.SMR/H-P	
14	17001503	996530073437	BLACK DUMP BOX SMR		40	-	242212625104	SWI POW 2P 12A 250V FASTON GP12H B	
15	17001556	996530073468	TRANSP.SILICONE FOOT SMR			-	242212625106	SWI POW 2P 10A 250V FASTON 8500 B	
16		421944014591	M/BLK CASING SMR ASSY.		41	0301.961	996530039604	STICKER FOR WATER HARDNESS TEST	
		421944014631	CRC CASING SMR ASSY.		42		421944009411	BLK REED SUPPORT SMR	ONLY FOR USA
17	11030075	996530073448	CPU+SW SMARTY ASSY.	230V	43	17800442	996530073661	2P.CONN.SENS.REED DUMP BOX CST UL ASSY	ONLY FOR USA
	-	421941302461	CPU+SW SMR 120V NA ASSY.	120V USA	44	12000895	996530007951	SCREW TSP TORX 10 3X10 PLAST.SS	ONLY FOR USA
	-	421941302481	CPU+SW SMR 120V TWN ASSY.	120V TWN	45	-	421944010581	MANUAL SAE HD8772 SMR/HS GB	
18	17001484	996530068728	MATT/BLK REAR CASING PROGRAM.INSERT NPR			-	421944010591	MANUAL SAE HD8772 SMR/HS FR	
	11031663	996530073499	CRC REAR CASING PROGRAM.INSERT NPR			-	421944010611	MANUAL SAE HD8772 SMR/HS ES	
19	17001025	996530073478	MATT/BLACK FRONT PANEL CAP SMR			-	421944010981	MANUAL SAE HD8775 SMR/PS GB	
	11031661	996530073501	CRC FRONT PANEL CAP SMR			-	421944010991	MANUAL SAE HD8775 SMR/PS FR	
20	17001363	996530073476	NAT/GREY WATER CONTAINER SMR ASSY.			-	421944011001	MANUAL SAE HD8775 SMR/PS ES	
21	17001366	996530073463	BLACK LID FOR DUCKBILL VALVE SMR		46	179990300	996530022764	BAND FOR LIFTING L=1550MM H=300MM	
22	11003671	996530001829	TRANSP.VALVE FOR WATER CONTAINER P0049		47	-	421944014401	WHT EXTERNAL BOX SMR SAE MINUTO	
23		421941157852	GRY WATER CONTAINER VALVE INSERT P0049						



MINUTO FOCUS - CLASS



HD8761/01-03-06-08-09
 HD8761/18-43 HD8762/01-03
 HD8764/02 HD8772/47 HD8775/48

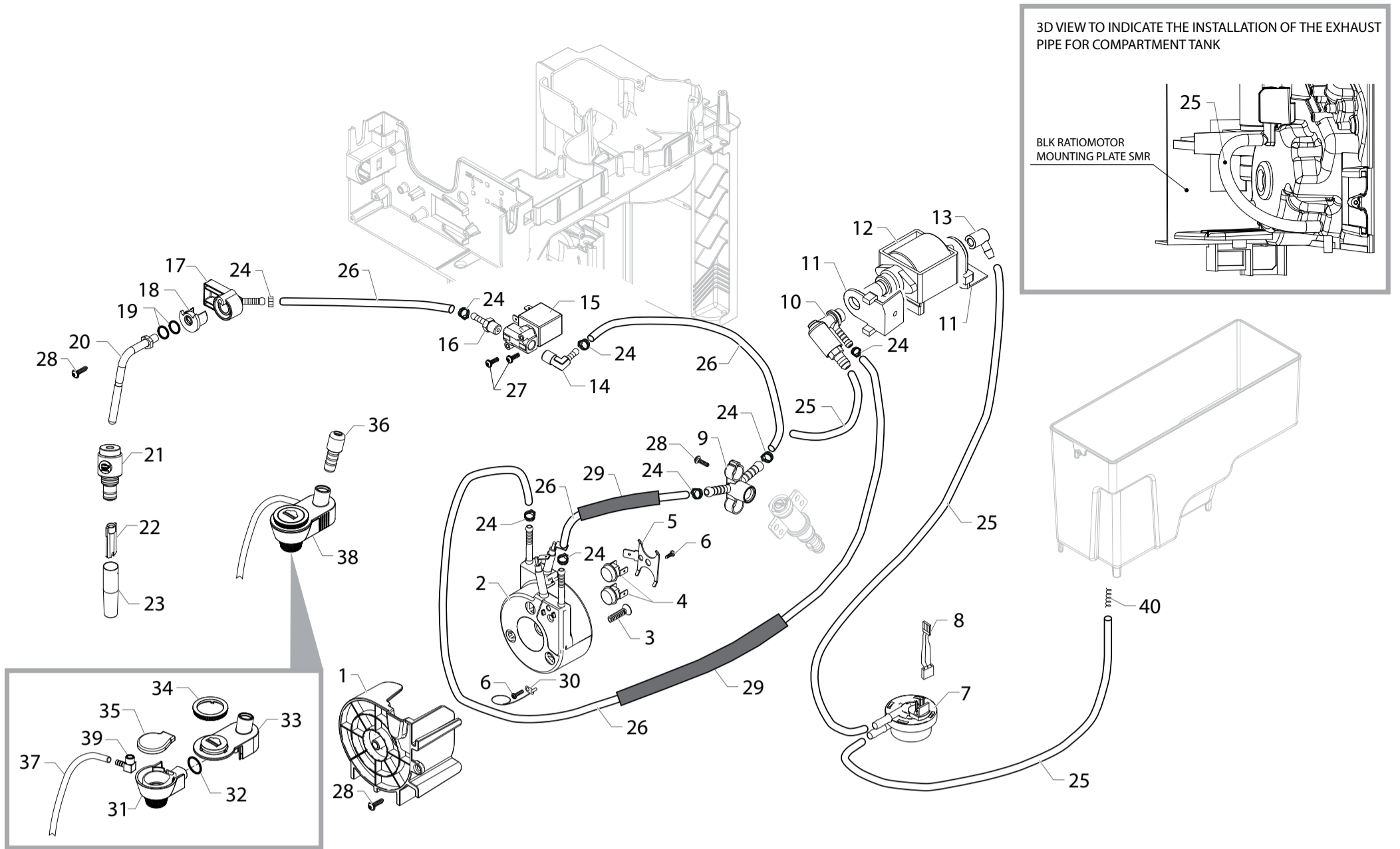


Cod. 10004334-4426-25-27-882876109010
 Cod. 882876118150-43240-10004363-4422
 Cod. 10004431-10004423-4432

POS	CODE	12NC	DESCRIPTION	NOTE	POS	CODE	12NC	DESCRIPTION	NOTE
01	11031247	996530073461	DISPLAY FRONT PANEL S/SCR.BLACK SMR/H	CLASS	34		421941293041	BLK CREAM ADJUSTMENT LEVER INSERT SMR	
	11030951	996530073475	DISPLAY FRONT PANEL S/SCR.BLACK SMR/P	FOCUS	35		421944007481	BLK COF.DISPENS.LOWER FRONT PLATE SMR	
	-	421944010091	DISPLAY FRONT PANEL S/SCR.BLK V2 SMR/H		36		421944007491	WHT CREAM ADJUSTMENT SHAFT SMR	
	-	421944010081	DISPLAY FRONT PANEL S/SCR.BLK V2 SMR/P		37	140326661	996530013546	OR ORM 0040-20 BLACK EPDM	
02	17001270	996530073484	BLACK DISPLAY FRAME SMR		38	126772518	996530011711	SS CREAM ADJUSTMENT SHAFT SPRING	
03	17001505	996530073431	BLACK FRONT.PANEL MEMBRANE SMR/H-P-T		39		421941292331	BLK CREAM ADJUSTMENT KNOB SMR	
04	-	421941300941	DISPLAY LCD 128X64 SMR		40		421941300301	SELECTION DRIP-ESPRESSO BOARD SMR	
05	12000450	996530007819	SCREW TCBR TORX 10 3,5X12 PLAST.ZN-N						
06	11030953	996530073434	TRANSP.STAND-BY BUTTON S/SCR.SMR						
07	17002075	996530073441	WHITE STAND-BY BUTTON LIGHT GUIDE SMR						
08	17001265	996530073446	BLACK DISPLAY SUPPORT SMR						
09	17001253	996530073473	BLK FRONT.PANEL MEMBRANE SUPP.SMR/H-P-T						
10	-	421940812951	KIT SPARES KYB - DISPLAY SMR 230V	230v					
	-	421940813011	KIT SPARES KYB - DISPLAY SMR 120V	120v					
11	17000704	996530073485	BLACK DISPLAY KEYBOARD SUPPORT SMR						
12	17002122	996530073486	SS COFFEE DISPENS.FRONT PLATE SMR ASSY.						
13		421944008261	M/BLK COF.DISPEN.MOBILE PART SMR ASSY.						
14	17002059	996530073432	MATT/BLACK COFFEE DISPENSER LID SMR						
15	17001022	996530073451	BLACK COFFEE DISPENSER BODY SMR						
16	17002107	996530073438	BLACK COFFEE DISPENSER BODY LID SMR						
17	17000955	996530073471	TRANS.BREW UNIT COF.OUTLET CONN.TUBE SMR						
18	17001849	996530073464	BLK BREW UNIT COFFEE OUTLET CONNECT.SMR						
19		421944008251	BLK ADH.AERSTOP SMR						
20		421944007441	BLK COFFEE DISPENSER LID V2 SMR						
21		421944009911	M/BLK COF.DISPEN.MOBILE PART V2 SMR ASSY						
22		421941292671	BLK COFFEE DISPENSER BODY V2 SMR						
23		421941292661	BLK COFFEE DISPENSER BODY LID V2 SMR						
24	229369000	996530031661	SILICONE TUBE 5X8 70SH L= 45 MM						
25		421944010071	SS COF.DISPENS.FRONT PLATE V2 SMR ASSY.						
26		421944009991	BLK COF.DISPEN.MOBILE PART SUPP.SMR ASSY						
27		421944007501	SS COF.DISPEN.LOWER FRON.PLATE COVER SMR						
28		421941302991	CHROM.CREAM ADJUSTMENT LEVER SMR						
29		421941292681	BLK CREAM ADJUSTMENT SLIDE SMR						
30		421941292691	BLK CREAM ADJUSTMENT SCREW SMR						
31	WGA4326038000	996530063583	SCREW TSP 3,5X16 INOX						
32		421941293051	BLK CREAM ADJUSTMENT KNOB INSERT SMR						
33		421941293031	BLK CREAM ADJUSTMENT BOARD SUPP.SMR						



MINUTO FOCUS - CLASS



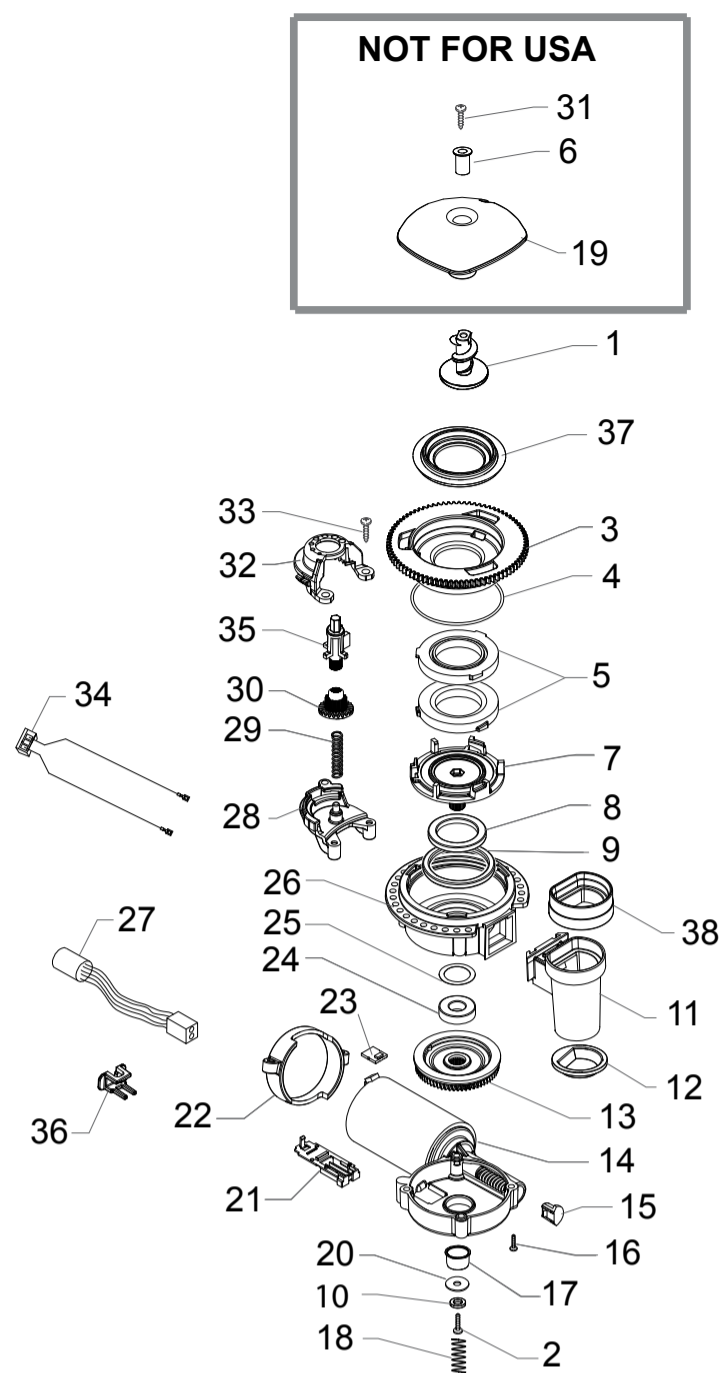
HD8761/01-03-06-08-09
 HD8761/18-43 HD8762/01-03
 HD8764/02 HD8772/47 HD8775/48



Cod. 10004334-4426-25-27-882876109010
 Cod. 882876118150-43240-10004363-4422
 Cod. 10004431-10004423-4432

POS	CODE	12NC	DESCRIPTION	NOTE	POS	CODE	12NC	DESCRIPTION	NOTE
01	17001661	996530073433	BLACK SLIM TUB.BOILER SUPPORT SMR		33		421941301101	BLK CAPPUC.CASING COVER S/SCR.SMR/H ASSY	CLASS
02	17000346	996530068751	HP/SLIM TUB.BOILER ASSY.	230V-1900W	34		421941301121	BLK CAPPUC.CASING COVER RING SMR/H	CLASS
	11023153	996530007586	SLIM TUB.BOILER 1300W 120V ASSY.	120V - 1300W	35		421941301131	BLK CAPPUC.CASING SEAL SMR/H	CLASS
03	12001280	996530008024	SCREW TSP TORX 10 5X20 PLAST.ZN-B		36		421941301141	BLK STEAM TUBE INSERT SMR/H	CLASS
	12001369	996530008039	SCREW TSP TORX 10 5X35 PLAST.SS		37	9972.045	996530051237	SILICONE TUBE 3,5X6 L=350 MM DS	CLASS
04	12001033	996530007973	THERMOSTAT ONE SHOT 190°			149360400	996530018272	TRANSPARENT SILCONE TUBE 3,5X6 IN ROLL	IN ROLL
05	11001751	996530000997	TUB.BOILER V3 UPPER THERM.FIXING SPRING		38		421941301151	BLK CAPPUC.S/SCR.SMR/H ASSY.	CLASS
06	12001715	996530069758	SCREW TCB TORX 20 M4X8 AUTOFORMING ZN-B		39	147922350	996530017377	BLACK CONNECTOR 90° FOR SPHERIC.CAPPUC.	CLASS
07	NV99.099	996530059843	TURBINE D=1,2 932-8521/00 ASSY.		40	0701.081	996530073439	SPRING FOR TUBE PRODUCT 1	
08	17800686	996530073488	3POLES CONNECTOR FLOWMETER SMR UL				421941300801	HP/SLIM TUB.BOILER SMR 1900W 230V ASSY.	1900W 230V
09	17000727	996530073427	BLACK CONNECTOR FOR PIN BOILER SMR				421944010421	SLIM TUB.BOILER SMR 1300W 120V ASSY.	1300W 120V
10	11004689	996530002484	TEA/BRASS SAFETY VALVE 16-18 BAR ASSY.						
11	149205850	996530018056	BLACK TYPE ULKA PUMP W/BEVEL SUPPORT						
12	12000140	996530007753	ULKA PUMP EP5/S GW	230V-50HZ					
	12000182	996530007782	ULKA PUMP EP5/S GW 220V-60HZ	220V-60HZ					
	12000142	996530007754	ULKA PUMP EAP5/S 120V-60HZ	120V-60HZ					
13	11002149	996530001186	BLACK PUMP OUTLET 90°CONNECTOR P0049/A						
14	11024469	996530067632	L-F/BRASS CONNECTOR FOR BOILER AURA						
15	11024038	996530067667	BRASS 2WAY EV 21JN1RRV20-XT+LBV05024CU						
16	11024868	996530070371	L-F/BRASS CONNECT.FOR ALUM.BOILER						
17	17001029	996530073457	STEAM TUBE SUPPORT SMR						
18	17001028	996530073456	BLACK BUSH FOR STEAM TUBE SMR						
19	140324461	996530013509	OR ORM 0060-20 TERMOIL						
20	11030926	996530073447	TF/CHROM.STEAM TUBE SMR ASSY.						
21	-	421941300671	BLK/SIL.STEAM TUBE HANDGRIP G0053						
22	11001620	996530000925	BLACK PANNARELLO INNER TUBE P0049						
23	11001769	996530001012	BLACK PANNARELLO COVER P0049						
	11001621	996530000926	SS PANNARELLO COVER P0049						
24	12000892	996530007947	OETIKER CLAMP D=9,5 16700004						
25	JS01.022	996530057357	SILICONE TUBE 5X10 60SH	IN ROLL					
26	16000380	996530009505	5X8,9 SILICONE TUBE	IN ROLL					
27	129823802	996530013077	TCB SCREW M4X8 UNI 7687 ZNP						
28	12000450	996530007819	SCREW TCBR TORX 10 3,5X12 PLAST.ZN-N						
29	16000540	996530009523	TRANSPAR.11X12,8 SILICONE TUBE	IN ROLL					
30	17800628	996530073428	TEMPERATURE SENSOR NTC UL L=550MM						
31		421941301081	BLK CAPPUC.CASING SMR/H						
32	NM01.028	996530059392	O-RING 106 SILICONE						





Saeco
INTERNATIONAL GROUP

HD8761/01-03-06-08-09
HD8761/18-43 HD8762/01-03
HD8764/02 HD8772/47 HD8775/48



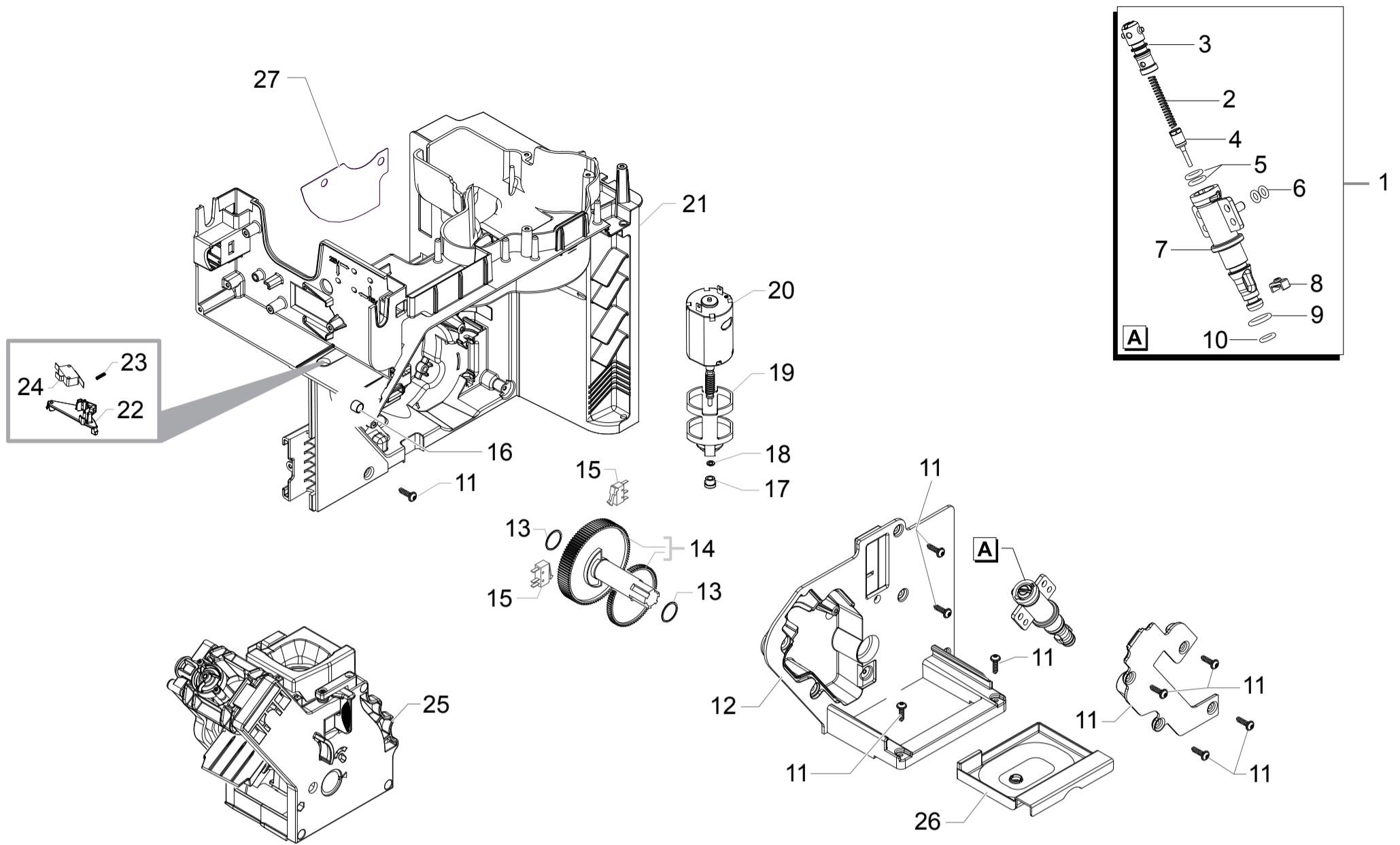
Cod. 10004334-4426-25-27-882876109010
Cod. 882876118150-43240-10004363-4422
Cod. 10004431-10004423-4432

POS	CODE	12NC	DESCRIPTION	NOTE	POS	CODE	12NC	DESCRIPTION	NOTE
01	11010031	996530005586	TEA/ZAMA INCREASE SCREW GRINDER		37	145857062	996530015992	COFFEE GRINDER SEAL P119	
02	129574802	996530012928	SCREW TCB TORX 20 M4X30 ZN-B		38	145854360	996530015958	BLK GROUND COFFEE CONT.UPPER SEAL SMART1	
03	-	421941094152	BLK COF.GRINDER UPPER GRINDER SUPPORT V2			17001502	996530073445	GEN.MOTOR COF.GRINDER SMR/H-P-T 230V ASSY	230V
04	140328960	996530013577	OR ORM 0530-15 NBR FDA			421944010431	996530073445	GEN.MOTOR COF.GRINDER SMR/H-P-T 120V ASS	120V
05	146520100	996530016342	BAKED CLAY GRINDER 48X28						
06	11012466	996530006412	BRASS BUSH BEAN CONT.FINGER PROTEC.P0057						
07	149198350	996530017952	BLK LOWER COFFEEGRINDER GRINDER SUPPORT						
08	123030300	996530011183	AXIAL BEARING EKKO 342.35252						
09	140360500	996530013597	FELT RING 45,4X39,4X4						
10	128310402	996530012341	GALV.WASHER UNI 8842 A4						
11	11026355	996530068049	BLK GROUND COFF.OUTLET CONVEYOR V4 ASSY.						
12	11030459	996530072511	GRY GROUND COFFEE CONT.LOWER SEAL SMART1						
13	226000300	996530029609	GEAR SX Z=38 FOR GRINDER MOTION ASSY.						
14	11000513	996530000317	MOTOR COFFEEGRINDER V3.1 230V ASSY.	230V					
	11000511	996530000315	MOTOR COFFEEGRINDER V3.1 120V ASSY.	120V					
15	149214800	996530018139	MC V3 MOD=1,25 WORM SCREW CENTRING CAP						
16	129661702	996530012992	SCREW TCB TORX 3,5X30 PLAST.ZN-B						
17	11002873	996530001389	INSULATOR BUSH FOR GRINDER MOTOR P124						
18	11000597	996530000376	STEEL COF.GRINDER SUPPORT SPRING P124						
19	17001008	996530073467	TRANS.BEAN CONTAIN.FINGER PROTECT.SMR UL	NOT FOR USA					
20	128381902	996530012375	TRANS.BEAN CONTAIN.FINGER PROTECT.SMR UL						
21	149199050	996530017963	STEEL FLAT WASHER DI=4,3 DE=14 SP=1,5						
22	11000194	996530000115	BLK SENSOR SUPPORT FOR COF.GRINDER MOTOR						
23	181540900	996530022784	BLACK COFFEEGRINDER MOTOR SUPPORT P124						
24	123030200	996530011182	ELECTR.BOARD WITH SENSOR HAL506 SF-K						
25	128381800	996530012374	RADIAL BEARING 61900.2RS1						
26	142905450	996530015258	STEEL CRINKLE WASHER 21,8X14X0,25						
27	17800687	996530073453	3POLES CONNECTOR MC SENSOR SMR UL						
28	11002613	996530001314	BLK UPPER BODY WITH COFFEE GROUND OUTLET						
29	11002572	996530001308	3POLES CONNECTOR MC SENSOR SMR UL						
30	11003784	996530001907	LOWER COFFEEGRINDER GEAR SUPPORT P124						
31	U043.004	996530061808	COFFEEGRINDER REGULATION SPRING P124						
32	11002508	996530001296	UPPER COFFEEGRINDER GEAR SUPPORT P124						
33	129914002	996530013165	SCREW TCB TORX 10 3,5X16 PLAST.ZN-B						
34	17800688	996530073454	2POLES CONNET.COFFEEGRINDER MOTOR SMR UL						
35	11003446	996530001673	BLACK BEAN COFFEE GRINDER INSERT P0049						
36	17001921	996530072477	BLK WIRING FIX INSERT FOR GRINDER BOARD						

Saeco
INTERNATIONAL GROUP

MINUTO FOCUS - CLASS

TABLE 4/6

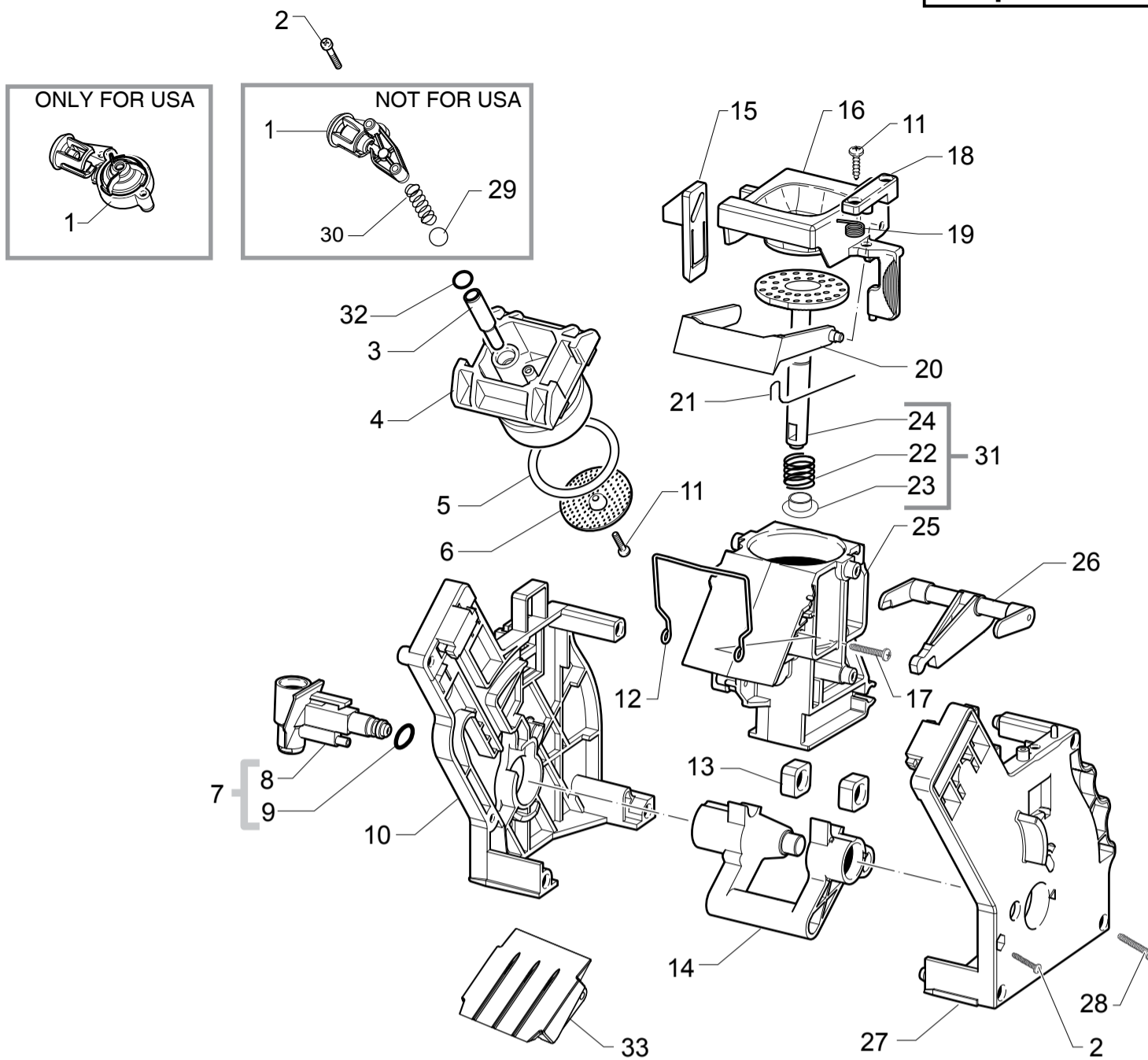


HD8761/01-03-06-08-09
 HD8761/18-43 HD8762/01-03
 HD8764/02 HD8772/47 HD8775/48



Cod. 10004334-4426-25-27-882876109010
 Cod. 882876118150-43240-10004363-4422
 Cod. 10004431-10004423-4432

POS	CODE	12NC	DESCRIPTION	NOTE	POS	CODE	12NC	DESCRIPTION	NOTE
01	11005060	996530002717	PIN V2 FOR BOILER P119 ASSY.						
02	9011.132	996530048874	SS SPRING FOR PIN						
03	11003820	996530001932	BLACK CAP V2 FOR PIN BOILER P119						
04	11009019	996530005183	TEA/BRASS PISTON L=20,9 ASSY.						
05	140324459	996530013508	OR ORM 0060-20 SILICONE PTFE/FDA						
06	140328059	996530013564	OR 2015 SILICONE PTFE/FDA						
07	11003801	996530001926	NAT.PIN V2 FOR BOILER P119						
08	11005099	996530002747	NATURAL CURSOR V2 FOR BOILER P119						
09	NM01.035	996530059399	OR ORM 0090-20 SILICONE						
10	NM01.057	996530059419	OR ORM 0050-20 IN SILICONE						
11	12001728	996530070321	SCREW TCBR TORX 10 3,5X12 PLAST.SS						
12	17001839	996530073444	BLK RATIOMOT.MOUNTING PLATE COVER SMR						
13	9161.132	996530050569	BLK RATIOMOT.MOUNTING PLATE COVER SMR						
14	20000900	996530009913	SPARES KIT GEARS FOR RATIOMOTOR V2						
15	12001841	996530073474	MICROINT.XC/V4D						
16	9161.111	996530050555	MAGNET FOR FLOAT SUPERAUT.						
17	9121.046	996530049898	BRONZE SINTERED BUSH FOR MOTOR RATIOMOT.						
18	148380200	996530017424	BAKELIZZATE WASHER D=5,5						
19	9121.044	996530049896	ANTIVIBRATION FOR MOTOR						
20	11005214	996530002796	MOTOR FOR RATIOMOTOR P124 ASSY.						
21		421944013951	BLK RATIOMOTOR MOUNTING PLATE V3 SMR ASS						
22	17001508	996530073469	BLACK MICRO COMPENSATOR SMR						
23		421944006861	STEEL SPRING FOR MICRO COMPENSATOR SMR						
24	12001890	996530073209	MICROSWITCH XG/V3D						
25		421941300331	BLK BREW UNIT 8GR.8BAR SMR						
		421944010551	BLK BREW UNIT 8GR.8BAR SBS SMR	ONLY FOR USA					
26		421944008911	BLK BREW UNIT DRAWER COFFEE SMR						
27		421944004861	NOMEX INSULATE PROTECTION W=0,30 SMR						



HD8761/01-03-06-08-09
 HD8761/18-43 HD8762/01-03
 HD8764/02 HD8772/47 HD8775/48



Cod. 10004334-4426-25-27-882876109010
 Cod. 882876118150-43240-10004363-4422
 Cod. 10004431-10004423-4432

POS	CODE	12NC	DESCRIPTION	NOTE	POS	CODE	12NC	DESCRIPTION	NOTE
01	11009362	996530005415	BLK COF.OUTLET SLEEVE BREW UNIT S0053 AS	ONLY FOR USA					
	11002154	996530001192	SBS VALVE P124 ASSY.						
02	12000550	996530007838	SCREW TCB TORX 10 3X25 PLAST.SS						
03	11009276	996530005372	BLK COUNTER PISTON TUBE BREW UNIT S0053						
04	11001840	996530001046	BLACK COUNTER PISTON BREW UNIT 8GR.P124						
05	NM01.044	996530059406	OR ORM 0320-40 SILICONE PTFE/FDA						
06	9161.268	996530050709	PERCOLATOR DE=35,8 ELFO						
07	20000440	996530009825	BLACK WATER INLET SLEEVE BREW UNIT ASSY.						
08	9161.064.050	996530050488	BLACK WATER INLET SLEEVE BREW UNIT ROYAL						
09	NM02.007	996530059441	OR 2025 TERMOIL						
10	9161.375.050	996530050832	BLACK BREW UNIT REAR PLATE SMART						
11	12000895	996530007951	SCREW TSP TORX 10 3X10 PLAST.SS						
12	11001556	996530000898	SS BREW UNIT SPRING H=49 SMART						
13	9161.094.150	996530050541	GREY BREW UNIT DRILLED BLOCK						
14	9161.066.050	996530050492	BLACK BREW UNIT ELBOW SHAFT M5000						
15	9161.373.050	996530050827	BLACK BREW UNIT COUPLING PLATE SMART						
16	149261350	996530018241	BLACK HOPPER DOSER BREW UNIT SMART1						
17	129912521	996530013148	SCREW TCB TORX 10 3,5X14 PLAST.SS						
18	9161.374.050	996530050829	BLK BREWUNIT HOPPER BLOCKING PLATE SMART						
19	9161.378	996530050838	SS HOPPER SPRING FOR BREW UNIT SMART						
20	11004161	996530002096	BLACK SCRAPER FOR BREW UNIT M5000						
21	9161.046	996530050455	SS SCRAPER SPRING FOR BREW UNIT						
22	9161.198	996530050627	SS.8GR.BREW UNIT PISTON SPRING						
23	9161.191	996530050618	WHITE 8GR.-12GR.BREW UNIT PISTON BUSH						
24	11003077	996530001451	BLK BREW UNIT INTEGRAL PISTON 8GR.ASSY.						
25	11003075	996530001448	BLACK COFFEE CONTAINER BREW UNIT P124						
26	11003078	996530001452	BLACK CONNECTING ROD BREW UNIT 8GR.						
27	11005920	996530003228	BLACK BREW UNIT FRONT PLATE S/SCR.SMART						
28	12000897	996530007953	SCREW TCB TORX 10 3,5X20 PLAST.SS						
29	9991.168	996530051874	GLASS SPHERE D.5 MM						
30	9161.222	996530050657	SS.CONICAL SPRING						
31	11023086	996530007577	BLK 8GR.BREW UNIT NTEGR.PISTON GEN.ASSY.						
32	140328761	996530013575	OR ORM 0060-15 TERMOIL						
33	17000737	996530073426	BLACK BREW UNIT CONVEYOR SLIDE L=56,3						
		421941300331	BLK BREW UNIT 8GR.8BAR SMR						
		421944010551	BLK BREW UNIT 8GR.8BAR SBS SMR	ONLY FOR USA					