

HD8761/01-03-06-07-08-09-11
 HD8761/18-41-43 - HD8762/01-03
 HD8762/07-19 - HD8764/01-02
 HD8772/47 - HD8775/48 - HD8780/01

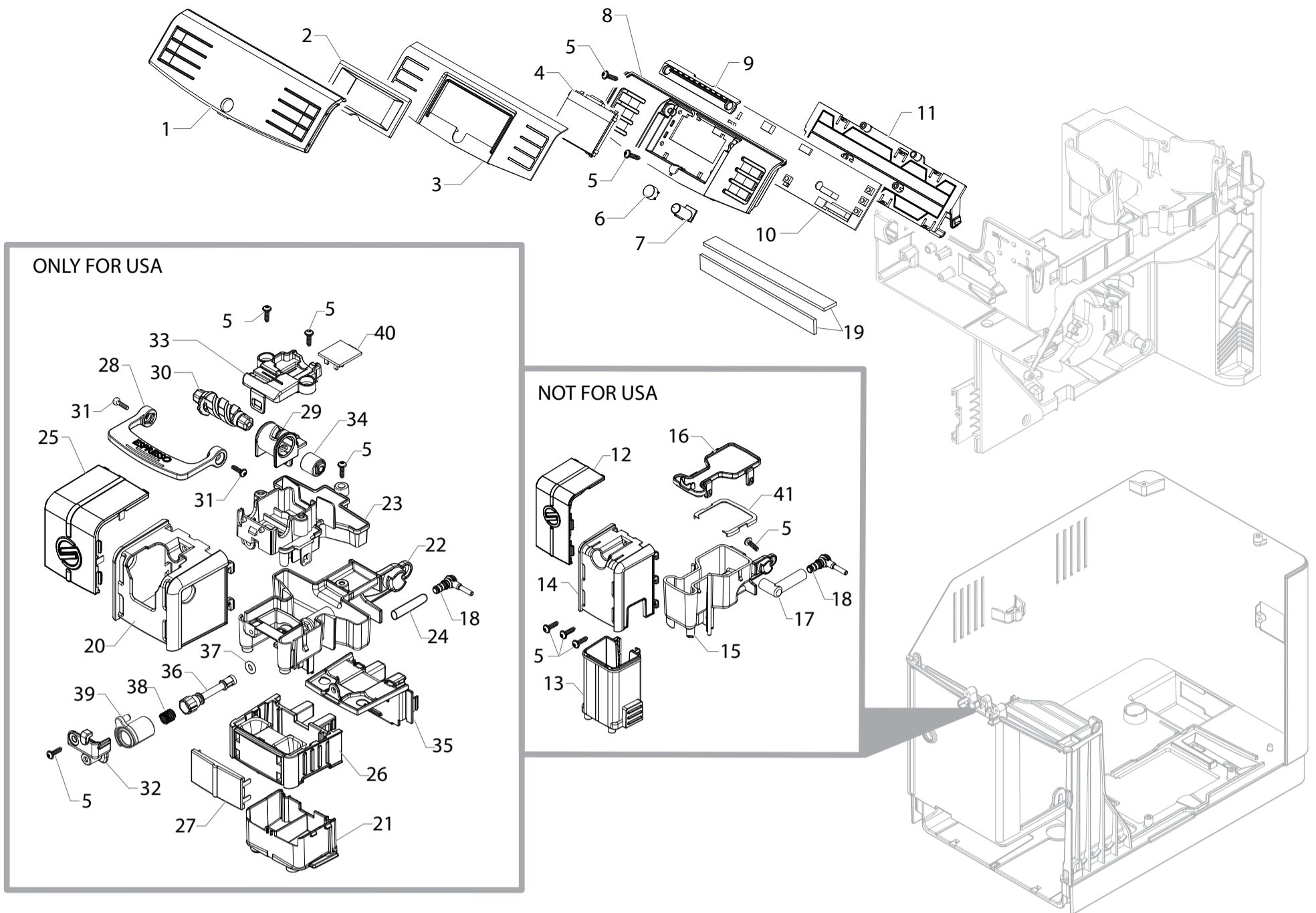


Cod. 10004334-4426-25-24-27-882876109010-111010
 Cod. 882876118150 -141240-143240-10004363-4422
 Cod.10004421-882876219010-10004430-4431
 Cod. 10004423-4432-882878001010

| POS | CODE | 12NC | DESCRIPTION | NOTE | POS | CODE | 12NC | DESCRIPTION | NOTE |
|-----|-----------|--------------|---|----------|-----|-----------|--------------|--|--------------|
| 01 | 127390100 | 996530011867 | BRUSH FOR CLEANING | | 28 | 17001474 | 996530073436 | BLACK WATER LEVEL SENSOR SUPPORT SMR | |
| 02 | 146680850 | 996530016529 | BLACK COFFEE MEASURE SMART | | 29 | 11003232 | 996530001522 | AS.CPU+SW WATER LEVEL SENSOR V2 | |
| 03 | - | 421946001591 | BLK POWER CABLE SCHUKO L=800 | | 30 | - | 421946000021 | 3POLES CONNECTOR WATER LEVEL SMR UL | |
| | 183940650 | 996530025872 | BLK POWER CABLE AUSTRALIA L=1200 | | 31 | 12001728 | 996530070321 | SCREW TCBR TORX 10 3,5X12 PLAST.SS | |
| | 183970350 | 996530025882 | BLK POWER CABLE UK L=1200 | | 32 | 17001209 | 996530073425 | BLK WATER CONTAINER LID SMR | |
| | 11001985 | 996530001089 | BLK POWER CABLE KOREA L=1200 | | 33 | 11031477 | 996530073487 | TRANSP/GREY GROUND COFFEE HOPPER LID NPR | |
| | 17800019 | 996530009627 | BLK POWER CABLE BRAZIL L=1200 | | 34 | 17001207 | 996530073477 | BLK BEAN COF.CONT.LID SMR | |
| | 17800330 | 996530069926 | BLK POWER CABLE BRAZIL L=1200 | | | - | 421944010481 | BLK BEAN COF.CONT.LID SMR/HS ASSY. | |
| | 183921950 | 996530025843 | BLK POWER CABLE SJT3 USA UL L=1200 | | | - | 421944008211 | BLK BEAN COF.CONT.LID W/SEAL SMR/T | |
| | 11004246 | 996530002166 | BLK POWER CABLE TAIWAN HVCTF L=1200 | | | | | | |
| | 11004247 | 996530002167 | BLK POWER CABLE RVV 3X1 CHINA L=1200 | | | | | | |
| 04 | 129913202 | 996530013156 | SCREW TCB TORX 10 3X8 PLAST.ZN-B | | 35 | 11031523 | 996530073462 | BLACK INFRAREDS PLATE RYL | |
| 05 | 11028379 | 996530070318 | PSA KLUBER TRIBOSTAR SIL 2 TUBE 5GR. | | 36 | 9161.111 | 996530050555 | MAGNET FOR FLOAT SUPERAUT. | |
| 06 | - | 421940812921 | KIT PS-E INSERT FOR BOX SMR | | 37 | 11013220 | 996530069857 | STEEL PLATE FOR DOOR MAGNET XSM | |
| 07 | 13001698 | 996530073649 | DISPL.BOX V2 SMR SAE MINUTO | | 38 | 17001065 | 996530073429 | MATT/BLACK RIGHT SIDE DOOR SMR | |
| | - | 421944012651 | DISPL.BOX SMR/H SAE MINUTO CLASS USA | | | 11031665 | 996530073502 | CRC RIGHT SIDE DOOR SMR | |
| | - | 421944012621 | DISPL.BOX SMR/P SAE MINUTO FOCUS USA | | 39 | 17001309 | 996530073435 | MATT/BLK UPPER COVER CASING S/SC.SMR/H-P | |
| 08 | 11013184 | 996530006683 | RED FLOAT FOR DRIP TRAY XSM | | | 11031669 | 996530073503 | CRC UPPER COVER CASING S/SCR.SMR/H-P | |
| 09 | 17001568 | 996530073458 | MATT/BLACK DRIP TRAY SMR/B-H-P | | | | | | |
| 10 | 17001032 | 996530073466 | SB/SS GRATE FOR DRIP TRAY SMR/B-H-P | | | | | | |
| 11 | - | 421944014751 | CRC DRIP TRAY INSERT V2 SMR | | | | 421944010521 | CRC UPP.CASING COV.V2 S/SC.SAE SMR/H-P | HD8772/47 |
| | - | 421944014691 | M/BLK DRIP TRAY INSERT V2 SMR | | | | 421944011031 | M/BLK UPP.CASING COV.V2 S/SC.SAE SMR/H-P | HD8775/48 |
| 12 | 12000280 | 996530007788 | CUP SOCKET EN 60320 C 13 | | | | 421944012961 | M/BLK UPP.CASING COV.V2 S/SC.MIN.SMR/H-P | HD8761/08-41 |
| 13 | 17001005 | 996530073483 | BLACK DUMP BOX INSERT NPR | | 40 | - | 242212625104 | SWI POW 2P 12A 250V FASTON GP12H B | |
| 14 | 17001503 | 996530073437 | BLACK DUMP BOX SMR | | | - | 242212625106 | SWI POW 2P 10A 250V FASTON 8500 B | |
| 15 | 17001556 | 996530073468 | TRANSP.SILICONE FOOT SMR | | | | | | |
| 16 | - | 421944014591 | M/BLK CASING SMR ASSY. | | 41 | 0301.961 | 996530039604 | STICKER FOR WATER HARDNESS TEST | |
| | - | 421944014631 | CRC CASING SMR ASSY. | | 42 | | 421944009411 | BLK REED SUPPORT SMR | ONLY FOR USA |
| 17 | - | 421941306492 | CPU+SW V2 SMR/T 230V ASSY. | 230V | 43 | 17800442 | 996530073661 | 2P.CONN.SENS.REED DUMP BOX CST UL ASSY | ONLY FOR USA |
| | - | 421941302461 | CPU+SW SMR 120V NA ASSY. | 120V USA | 44 | 12000895 | 996530007951 | SCREW TSP TORX 10 3X10 PLAST.SS | ONLY FOR USA |
| | - | 421941302481 | CPU+SW SMR 120V TWN ASSY. | 120V TWN | 45 | - | 421944010581 | MANUAL SAE HD8772 SMR/HS GB | |
| 18 | 17001484 | 996530068728 | MATT/BLK REAR CASING PROGRAM.INSERT NPR | | | - | 421944010591 | MANUAL SAE HD8772 SMR/HS FR | |
| | 11031663 | 996530073499 | CRC REAR CASING PROGRAM.INSERT NPR | | | - | 421944010611 | MANUAL SAE HD8772 SMR/HS ES | |
| 19 | 17001025 | 996530073478 | MATT/BLACK FRONT PANEL CAP SMR | | | - | 421944010981 | MANUAL SAE HD8775 SMR/PS GB | |
| | 11031661 | 996530073501 | CRC FRONT PANEL CAP SMR | | | - | 421944010991 | MANUAL SAE HD8775 SMR/PS FR | |
| 20 | 17001363 | 996530073476 | NAT/GREY WATER CONTAINER SMR ASSY. | | | - | 421944011001 | MANUAL SAE HD8775 SMR/PS ES | |
| 21 | 17001366 | 996530073463 | BLACK LID FOR DUCKBILL VALVE SMR | | | - | 421940438211 | MANUAL SAE HD8761 SMR/P GB | |
| 22 | 11003671 | 996530001829 | TRANSP.VALVE FOR WATER CONTAINER P0049 | | | - | 421940438431 | MANUAL SAE HD8761 SMR/P CHN | |
| 23 | - | 421941157852 | GRY WATER CONTAINER VALVE INSERT P0049 | | | - | 421940438511 | MANUAL SAE HD8762 SMR/H GB | |
| 24 | 11003672 | 996530001831 | SS SPRING FOR WATER CONTAIN.VALVE P0049 | | | - | 421940438731 | MANUAL SAE HD8762 SMR/H CHN | |
| 25 | 140328461 | 996530013571 | OR ORM 0190-10 EPDM | | | - | 421940438471 | MANUAL SAE HD8761 SMR/P BRA | |
| 26 | 224640200 | 996530029115 | WHITE WATER CONTAINER EXT.FILTER ASSY. WITH PART.25 | | 46 | 179990300 | 996530022764 | BAND FOR LIFTING L=1550MM H=300MM | |
| 27 | 17001322 | 996530073442 | BLACK WATER CONTAINER HANDLE SMR | | 47 | - | 421944014401 | WHT EXTERNAL BOX SMR SAE MINUTO | HD8772/47 |



MINUTO FOCUS - CLASS



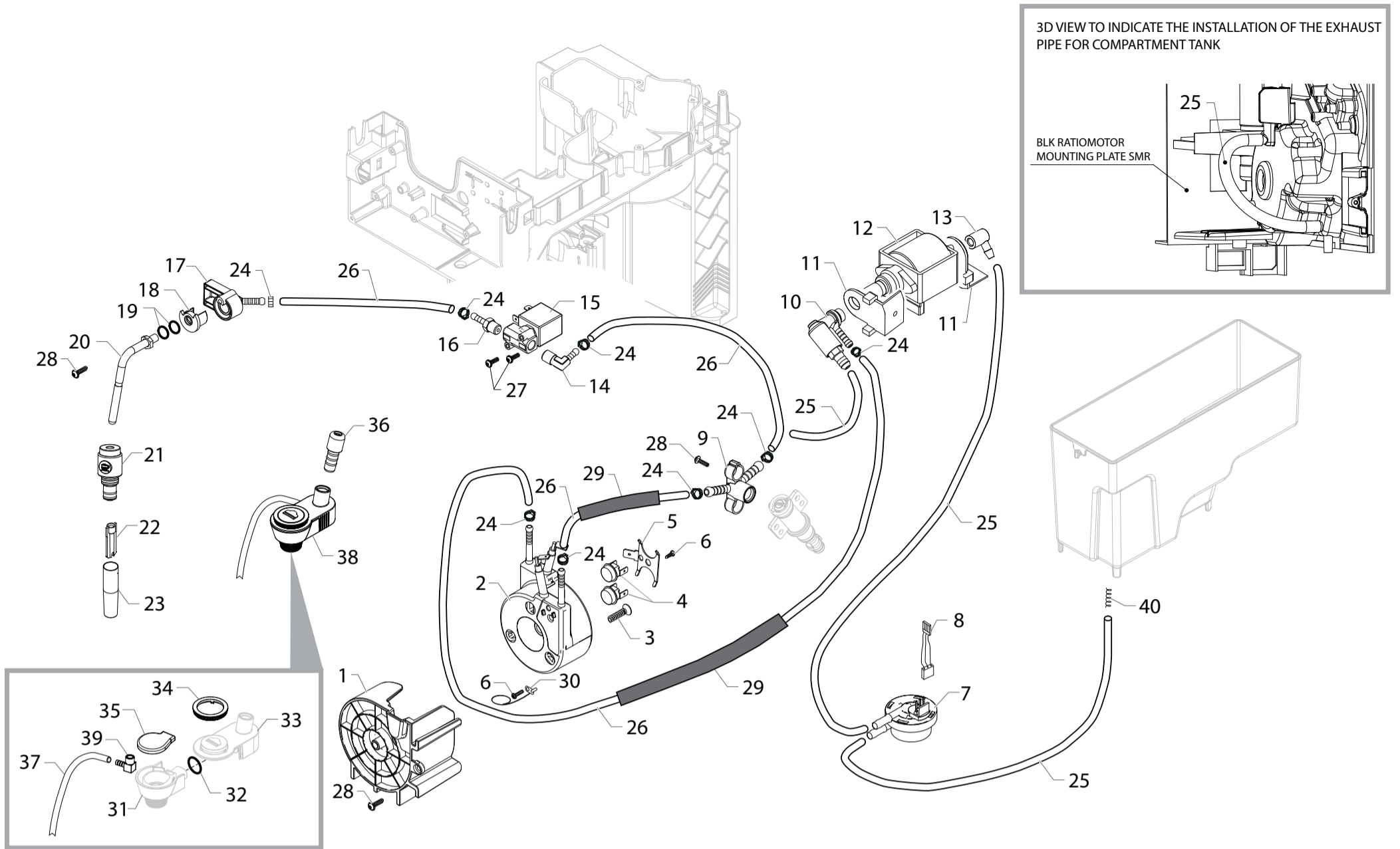
HD8761/01-03-06-07-08-09-11
 HD8761/18-41-43 - HD8762/01-03
 HD8762/07-19 - HD8764/01-02
 HD8772/47 - HD8775/48 - HD8780/01



Cod. 10004334-4426-25-24-27-882876109010-111010
 Cod. 882876118150 -141240-143240-10004363-4422
 Cod.10004421-882876219010-10004430-4431
 Cod. 10004423-4432-882878001010

| POS | CODE | 12NC | DESCRIPTION | NOTE | POS | CODE | 12NC | DESCRIPTION | NOTE |
|-----|---------------|--------------|--|-------|-----|-----------|--------------|---------------------------------------|------|
| 01 | 11031247 | 996530073461 | DISPLAY FRONT PANEL S/SCR.BLACK SMR/H | CLASS | 33 | - | 421941293031 | BLK CREAM ADJUSTMENT BOARD SUPP.SMR | |
| | 11030951 | 996530073475 | DISPLAY FRONT PANEL S/SCR.BLACK SMR/P | FOCUS | 34 | - | 421941293041 | BLK CREAM ADJUSTMENT LEVER INSERT SMR | |
| | - | 421944010091 | DISPLAY FRONT PANEL S/SCR.BLK V2 SMR/H | | 35 | - | 421944007481 | BLK COF.DISPENS.LOWER FRONT PLATE SMR | |
| | - | 421944010081 | DISPLAY FRONT PANEL S/SCR.BLK V2 SMR/P | | 36 | - | 421944007491 | WHT CREAM ADJUSTMENT SHAFT SMR | |
| | | 421941293861 | DISPLAY FRONT PANEL S/SCR.BLK/SIL SMR/PA | | 37 | 140326661 | 996530013546 | OR ORM 0040-20 BLACK EPDM | |
| 02 | 17001270 | 996530073484 | BLACK DISPLAY FRAME SMR | | 38 | 126772518 | 996530011711 | SS CREAM ADJUSTMENT SHAFT SPRING | |
| 03 | | 421944009001 | BLK FRONT PANEL MEMBRANE V2 SMR/H-P-T | | 39 | - | 421941292331 | BLK CREAM ADJUSTMENT KNOB SMR | |
| 04 | - | 421941300941 | DISPLAY LCD 128X64 SMR | | 40 | - | 421941300301 | SELECTION DRIP-ESPRESSO BOARD SMR | |
| 05 | 12000450 | 996530007819 | SCREW TCBR TORX 10 3,5X12 PLAST.ZN-N | | 41 | | 421944017651 | BLK COFFEE DISPENSER BODY SEAL SMR | |
| 06 | 11030953 | 996530073434 | TRANSP.STAND-BY BUTTON S/SCR.SMR | | | | | | |
| 07 | 17002075 | 996530073441 | WHITE STAND-BY BUTTON LIGHT GUIDE SMR | | | | | | |
| 08 | 17001265 | 996530073446 | BLACK DISPLAY SUPPORT SMR | | | | | | |
| 09 | 17001253 | 996530073473 | BLK FRONT.PANEL MEMBRANE SUPP.SMR/H-P-T | | | | | | |
| 10 | - | 421940812951 | KIT SPARES KYB - DISPLAY SMR 230V | 230v | | | | | |
| | - | 421940813011 | KIT SPARES KYB - DISPLAY SMR 120V | 120v | | | | | |
| 11 | 17000704 | 996530073485 | BLACK DISPLAY KEYBOARD SUPPORT SMR | | | | | | |
| 12 | 17002122 | 996530073486 | SS COFFEE DISPENS.FRONT PLATE SMR ASSY. | | | | | | |
| 13 | - | 421944008261 | M/BLK COF.DISPEN.MOBILE PART SMR ASSY. | | | | | | |
| 14 | 17002059 | 996530073432 | MATT/BLACK COFFEE DISPENSER LID SMR | | | | | | |
| 15 | 17001022 | 996530073451 | BLACK COFFEE DISPENSER BODY SMR | | | | | | |
| 16 | - | 421944017631 | BLK COFFEE DISPENSER BODY LID V3 SMR | | | | | | |
| 17 | 17000955 | 996530073471 | TRANS.BREW UNIT COF.OUTLET CONN.TUBE SMR | | | | | | |
| 18 | 17001849 | 996530073464 | BLK BREW UNIT COFFEE OUTLET CONNECT.SMR | | | | | | |
| 19 | - | 421944008251 | BLK ADH.AERSTOP SMR | | | | | | |
| 20 | - | 421944007441 | BLK COFFEE DISPENSER LID V2 SMR | | | | | | |
| 21 | - | 421944009911 | M/BLK COF.DISPEN.MOBILE PART V2 SMR ASSY | | | | | | |
| 22 | - | 421941292671 | BLK COFFEE DISPENSER BODY V2 SMR | | | | | | |
| 23 | - | 421941292661 | BLK COFFEE DISPENSER BODY LID V2 SMR | | | | | | |
| 24 | 229369000 | 996530031661 | SILICONE TUBE 5X8 70SH L= 45 MM | | | | | | |
| 25 | - | 421944010071 | SS COF.DISPENS.FRONT PLATE V2 SMR ASSY. | | | | | | |
| 26 | - | 421944009991 | BLK COF.DISPEN.MOBILE PART SUPP.SMR ASSY | | | | | | |
| 27 | - | 421944007501 | SS COF.DISPEN.LOWER FRON.PLATE COVER SMR | | | | | | |
| 28 | - | 421941302991 | CHROM.CREAM ADJUSTMENT LEVER SMR | | | | | | |
| 29 | - | 421941292681 | BLK CREAM ADJUSTMENT SLIDE SMR | | | | | | |
| 30 | - | 421941292691 | BLK CREAM ADJUSTMENT SCREW SMR | | | | | | |
| 31 | WGA4326038000 | 996530063583 | SCREW TSP 3,5X16 INOX | | | | | | |
| 32 | - | 421941293051 | BLK CREAM ADJUSTMENT KNOB INSERT SMR | | | | | | |





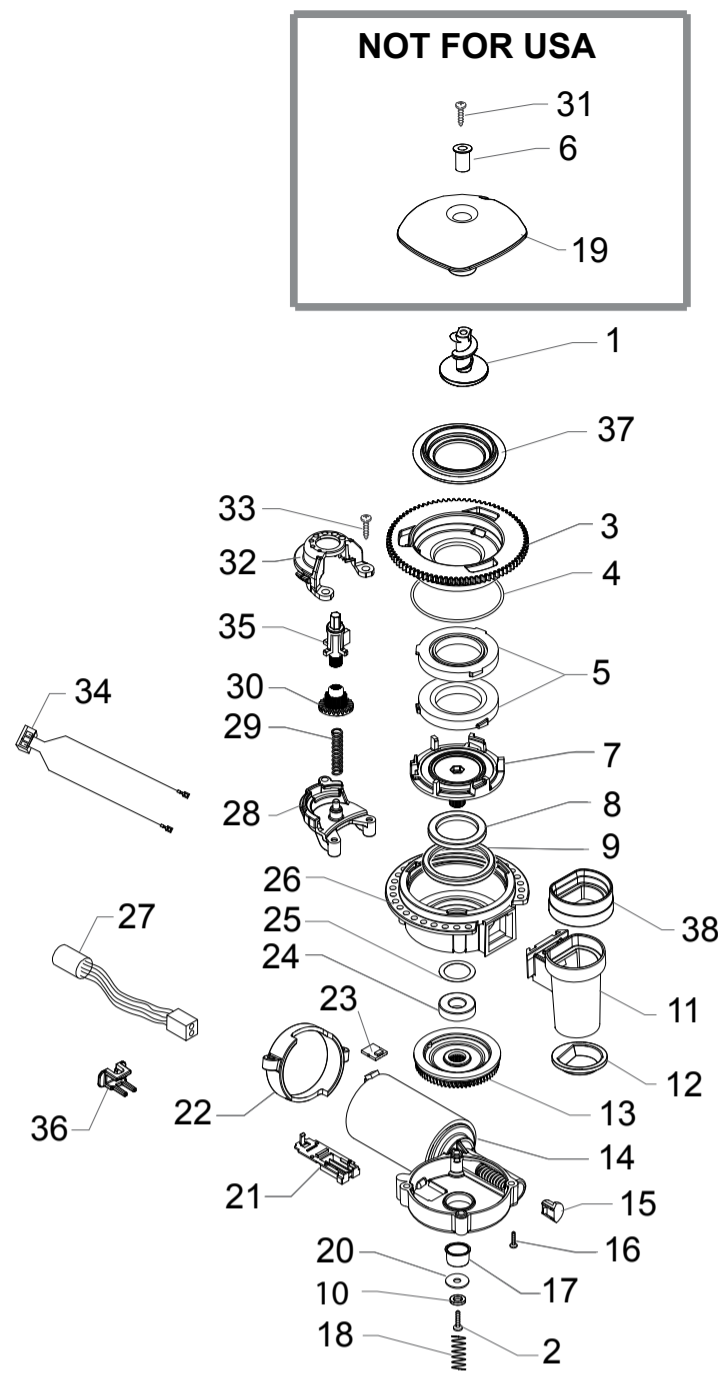
HD8761/01-03-06-07-08-09-11
 HD8761/18-41-43 - HD8762/01-03
 HD8762/07-19 - HD8764/01-02
 HD8772/47 - HD8775/48 - HD8780/01



Cod. 10004334-4426-25-24-27-882876109010-111010
 Cod. 882876118150 -141240-143240-10004363-4422
 Cod.10004421-882876219010-10004430-4431
 Cod. 10004423-4432-882878001010

| POS | CODE | 12NC | DESCRIPTION | NOTE | POS | CODE | 12NC | DESCRIPTION | NOTE |
|-----|-----------|--------------|---|-------------|-----|-----------|--------------|---|-------------|
| 01 | 17001661 | 996530073433 | BLACK SLIM TUB.BOILER SUPPORT SMR | | 33 | - | | NOT AVAILABLE | SEE POS. 38 |
| 02 | 17000346 | 996530068751 | HP/SLIM TUB.BOILER ASSY. | 230V-1900W | 34 | - | 421941301121 | BLK CAPPUC.CASING COVER RING SMR/H | CLASS |
| | 11023153 | 996530007586 | SLIM TUB.BOILER 1300W 120V ASSY. | 120V -1300W | 35 | - | 421941301131 | BLK CAPPUC.CASING SEAL SMR/H | CLASS |
| 03 | 12001280 | 996530008024 | SCREW TSP TORX 10 5X20 PLAST.ZN-B | | 36 | - | 421941301142 | BLK STEAM TUBE INSERT V2 SMR/H | CLASS |
| | 12001369 | 996530008039 | SCREW TSP TORX 10 5X35 PLAST.SS | | 37 | 9972.045 | 996530051237 | SILICONE TUBE 3,5X6 L=350 MM DS | CLASS |
| 04 | 12001033 | 996530007973 | THERMOSTAT ONE SHOT 190° | | | 149360400 | 996530018272 | TRANSPARENT SILCONE TUBE 3,5X6 IN ROLL | IN ROLL |
| 05 | 11001751 | 996530000997 | TUB.BOILER V3 UPPER THERM.FIXING SPRING | | 38 | - | 421944023801 | BLK CAPPUC.V3 SMR/H ASSY. | CLASS |
| 06 | 12001715 | 996530069758 | SCREW TCB TORX 20 M4X8 AUTOFORMING ZN-B | | 39 | 147922350 | 996530017377 | BLACK CONNECTOR 90° FOR SPHERIC.CAPPUC. | CLASS |
| 07 | NV99.099 | 996530059843 | TURBINE D=1,2 932-8521/00 ASSY. | | 40 | 0701.081 | 996530073439 | SPRING FOR TUBE PRODUCT 1 | |
| 08 | 17800686 | 996530073488 | 3POLES CONNECTOR FLOWMETER SMR UL | | | - | 421941300801 | HP/SLIM TUB.BOILER SMR 1900W 230V ASSY. | 1900W 230V |
| 09 | 17000727 | 996530073427 | BLACK CONNECTOR FOR PIN BOILER SMR | | | - | 421944010421 | SLIM TUB.BOILER SMR 1300W 120V ASSY. | 1300W 120V |
| 10 | 11004689 | 996530002484 | TEA/BRASS SAFETY VALVE 16-18 BAR ASSY. | | | | | | |
| 11 | 149205850 | 996530018056 | BLACK TYPE ULKA PUMP W/BEVEL SUPPORT | | | | | | |
| 12 | 12000140 | 996530007753 | ULKA PUMP EP5/S GW | 230V-50HZ | | | | | |
| | 12000182 | 996530007782 | ULKA PUMP EP5/S GW 220V-60HZ | 220V-60HZ | | | | | |
| | 12000142 | 996530007754 | ULKA PUMP EAP5/S 120V-60HZ | 120V-60HZ | | | | | |
| 13 | 11002149 | 996530001186 | BLACK PUMP OUTLET 90°CONNECTOR P0049/A | | | | | | |
| 14 | 11024469 | 996530067632 | L-F/BRASS CONNECTOR FOR BOILER AURA | | | | | | |
| 15 | 11024038 | 996530067667 | BRASS 2WAY EV 21JN1RRV20-XT+LBV05024CU | | | | | | |
| 16 | 11024868 | 996530070371 | L-F/BRASS CONNECT.FOR ALUM.BOILER | | | | | | |
| 17 | 17001029 | 996530073457 | STEAM TUBE SUPPORT SMR | | | | | | |
| 18 | 17001028 | 996530073456 | BLACK BUSH FOR STEAM TUBE SMR | | | | | | |
| 19 | 140324461 | 996530013509 | OR ORM 0060-20 TERMOIL | | | | | | |
| 20 | 11030926 | 996530073447 | TF/CHROM.STEAM TUBE SMR ASSY. | | | | | | |
| 21 | - | 421941300671 | BLK/SIL.STEAM TUBE HANDGRIP G0053 | | | | | | |
| 22 | 11001620 | 996530000925 | BLACK PANNARELLO INNER TUBE P0049 | | | | | | |
| 23 | 11001769 | 996530001012 | BLACK PANNARELLO COVER P0049 | | | | | | |
| | 11001621 | 996530000926 | SS PANNARELLO COVER P0049 | | | | | | |
| 24 | 12000892 | 996530007947 | OETIKER CLAMP D=9,5 16700004 | | | | | | |
| 25 | JS01.022 | 996530057357 | SILICONE TUBE 5X10 60SH | IN ROLL | | | | | |
| 26 | 16000380 | 996530009505 | 5X8,9 SILICONE TUBE | IN ROLL | | | | | |
| 27 | 129823802 | 996530013077 | TCB SCREW M4X8 UNI 7687 ZNP | | | | | | |
| 28 | 12000450 | 996530007819 | SCREW TCBR TORX 10 3,5X12 PLAST.ZN-N | | | | | | |
| 29 | 16000540 | 996530009523 | TRANSPAR.11X12,8 SILICONE TUBE | IN ROLL | | | | | |
| 30 | 17800628 | 996530073428 | TEMPERATURE SENSOR NTC UL L=550MM | | | | | | |
| 31 | | | NOT AVAILABLE | SEE POS. 38 | | | | | |
| 32 | NM01.028 | 996530059392 | O-RING 106 SILICONE | | | | | | |





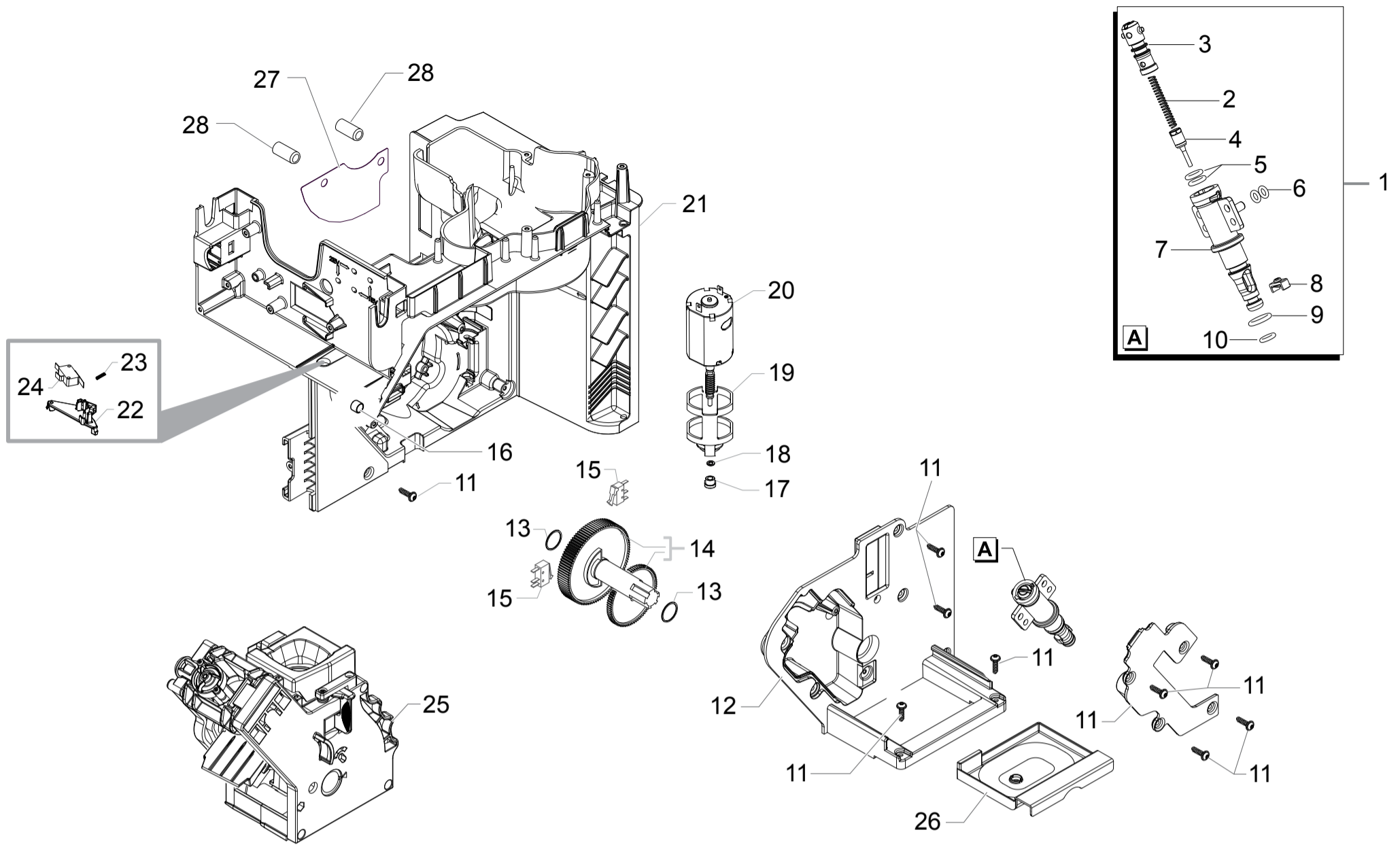
HD8761/01-03-06-07-08-09-11
 HD8761/18-41-43 - HD8762/01-03
 HD8762/07-19 - HD8764/01-02
 HD8772/47 - HD8775/48 - HD8780/01



Cod. 10004334-4426-25-24-27-882876109010-111010
 Cod. 882876118150 -141240-143240-10004363-4422
 Cod.10004421-882876219010-10004430-4431
 Cod. 10004423-4432-882878001010

| POS | CODE | 12NC | DESCRIPTION | NOTE | POS | CODE | 12NC | DESCRIPTION | NOTE |
|-----|-----------|--------------|--|-------------|-----|-----------|--------------|---|------|
| 01 | 11010031 | 996530005586 | TEA/ZAMA INCREASE SCREW GRINDER | | 37 | 145857062 | 996530015992 | COFFEE GRINDER SEAL P119 | |
| 02 | 129574802 | 996530012928 | SCREW TCB TORX 20 M4X30 ZN-B | | 38 | 145854360 | 996530015958 | BLK GROUND COFFEE CONT.UPPER SEAL SMART1 | |
| 03 | - | 421941094152 | BLK COF.GRINDER UPPER GRINDER SUPPORT V2 | | | 17001502 | 996530073445 | GEN.MOTOR COF.GRINDER SMR/H-P-T 230V ASSY | 230V |
| 04 | 140328960 | 996530013577 | OR ORM 0530-15 NBR FDA | | | - | 421944010431 | GEN.MOTOR COF.GRINDER SMR/H-P-T 120V ASS | 120V |
| 05 | 146520100 | 996530016342 | BAKED CLAY GRINDER 48X28 | | | | | | |
| 06 | 11012466 | 996530006412 | BRASS BUSH BEAN CONT.FINGER PROTEC.P0057 | | | | | | |
| 07 | 149198350 | 996530017952 | BLK LOWER COFFEEGRINDER GRINDER SUPPORT | | | | | | |
| 08 | 123030300 | 996530011183 | AXIAL BEARING EKKO 342.35252 | | | | | | |
| 09 | 140360500 | 996530013597 | FELT RING 45,4X39,4X4 | | | | | | |
| 10 | 128310402 | 996530012341 | GALV.WASHER UNI 8842 A4 | | | | | | |
| 11 | 11026355 | 996530068049 | BLK GROUND COFF.OUTLET CONVEYOR V4 ASSY. | | | | | | |
| 12 | 11030459 | 996530072511 | GRY GROUND COFFEE CONT.LOWER SEAL SMART1 | | | | | | |
| 13 | 226000300 | 996530029609 | GEAR SX Z=38 FOR GRINDER MOTION ASSY. | | | | | | |
| 14 | 11000513 | 996530000317 | MOTOR COFFEEGRINDER V3.1 230V ASSY. | 230V | | | | | |
| | 11000511 | 996530000315 | MOTOR COFFEEGRINDER V3.1 120V ASSY. | 120V | | | | | |
| 15 | 149214800 | 996530018139 | MC V3 MOD=1,25 WORM SCREW CENTRING CAP | | | | | | |
| 16 | 129661702 | 996530012992 | SCREW TCB TORX 3,5X30 PLAST.ZN-B | | | | | | |
| 17 | 11002873 | 996530001389 | INSULATOR BUSH FOR GRINDER MOTOR P124 | | | | | | |
| 18 | 11000597 | 996530000376 | STEEL COF.GRINDER SUPPORT SPRING P124 | | | | | | |
| 19 | 17001008 | 996530073467 | TRANS.BEAN CONTAIN.FINGER PROTECT.SMR UL | NOT FOR USA | | | | | |
| 20 | 128381902 | 996530012375 | STEEL FLAT WASHER DI=4,3 DE=14 SP=1,5 | | | | | | |
| 21 | 149199050 | 996530017963 | BLK SENSOR SUPPORT FOR COF.GRINDER MOTOR | | | | | | |
| 22 | 11000194 | 996530000115 | BLK COFFEEGRINDER MOTOR SUPPORT P124 | | | | | | |
| 23 | 181540900 | 996530022784 | ELECTR.BOARD WITH SENSOR HAL506 SF-K | | | | | | |
| 24 | 123030200 | 996530011182 | RADIAL BEARING 61900.2RS1 | | | | | | |
| 25 | 128381800 | 996530012374 | STEEL CRINKLE WASHER 21,8X14X0,25 | | | | | | |
| 26 | 142905450 | 996530015258 | BLK UPPER BODY WITH COFFEE GROUND OUTLET | | | | | | |
| 27 | 17800687 | 996530073453 | 3P.CONN.MC SENSOR SMR UL ASSY. | | | | | | |
| 28 | 11002613 | 996530001314 | LOWER COFFEEGRINDER GEAR SUPPORT P124 | | | | | | |
| 29 | 11002572 | 996530001308 | COFFEEGRINDER REGULATION SPRING P124 | | | | | | |
| 30 | 11003784 | 996530001907 | COFFEE GRINDING ADJUSTMENT GEAR P0049 | | | | | | |
| 31 | U043.004 | 996530061808 | SCREW TCB M4X16 ZN-B | | | | | | |
| 32 | 11002508 | 996530001296 | UPPER COFFEEGRINDER GEAR SUPPORT P124 | | | | | | |
| 33 | 129914002 | 996530013165 | SCREW TCB TORX 10 3,5X16 PLAST.ZN-B | | | | | | |
| 34 | 17800688 | 996530073454 | 2P.CONN.COF.GRINDER MOTOR SMR UL ASSY. | | | | | | |
| 35 | | 421944025161 | YLW BEAN COFFEE GRINDER INSERT SMR | | | | | | |
| 36 | 17001921 | 996530072477 | BLK WIRING FIX INSERT FOR GRINDER BOARD | | | | | | |





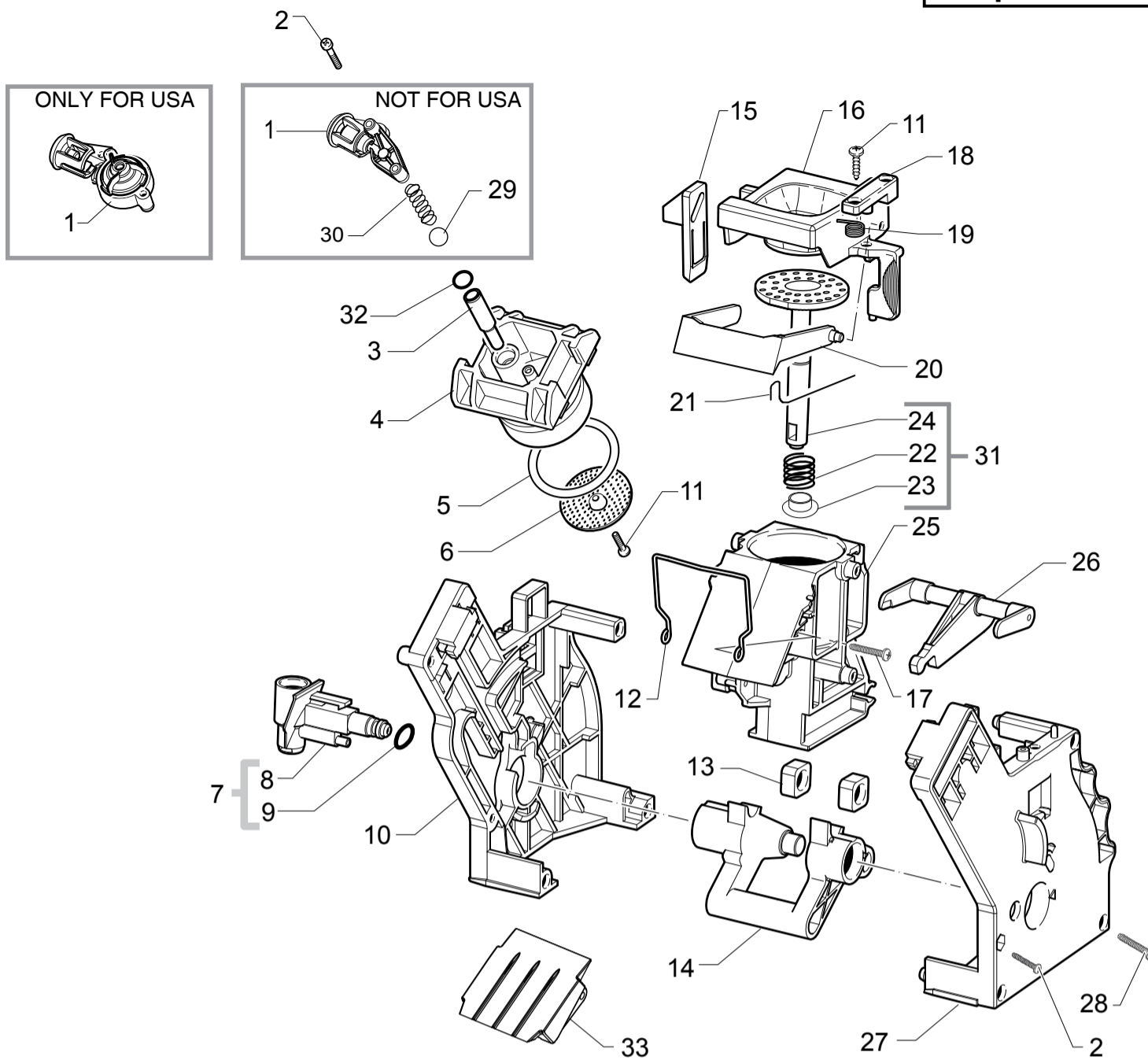
HD8761/01-03-06-07-08-09-11
 HD8761/18-41-43 - HD8762/01-03
 HD8762/07-19 - HD8764/01-02
 HD8772/47 - HD8775/48 - HD8780/01



Cod. 10004334-4426-25-24-27-882876109010-111010
 Cod. 882876118150 -141240-143240-10004363-4422
 Cod.10004421-882876219010-10004430-4431
 Cod. 10004423-4432-882878001010

| POS | CODE | 12NC | DESCRIPTION | NOTE | POS | CODE | 12NC | DESCRIPTION | NOTE |
|-----|-----------|--------------|--|--------------|-----|------|------|-------------|------|
| 01 | 11005060 | 996530002717 | PIN V2 FOR BOILER P119 ASSY. | | | | | | |
| 02 | 9011.132 | 996530048874 | SS SPRING FOR PIN | | | | | | |
| 03 | 11003820 | 996530001932 | BLACK CAP V2 FOR PIN BOILER P119 | | | | | | |
| 04 | 11009019 | 996530005183 | TEA/BRASS PISTON L=20,9 ASSY. | | | | | | |
| 05 | 140324459 | 996530013508 | OR ORM 0060-20 SILICONE PTFE/FDA | | | | | | |
| 06 | 140328059 | 996530013564 | OR 2015 SILICONE PTFE/FDA | | | | | | |
| 07 | 11003801 | 996530001926 | NAT.PIN V2 FOR BOILER P119 | | | | | | |
| 08 | 11005099 | 996530002747 | NATURAL CURSOR V2 FOR BOILER P119 | | | | | | |
| 09 | NM01.035 | 996530059399 | OR ORM 0090-20 SILICONE | | | | | | |
| 10 | NM01.057 | 996530059419 | OR ORM 0050-20 IN SILICONE | | | | | | |
| 11 | 12001728 | 996530070321 | SCREW TCBR TORX 10 3,5X12 PLAST.SS | | | | | | |
| 12 | 17001839 | 996530073444 | BLK RATIOMOT.MOUNTING PLATE COVER SMR | | | | | | |
| 13 | 9161.132 | 996530050569 | BLK RATIOMOT.MOUNTING PLATE COVER SMR | | | | | | |
| 14 | 20000900 | 996530009913 | SPARES KIT GEARS FOR RATIOMOTOR V2 | | | | | | |
| 15 | 12001841 | 996530073474 | MICROINT.XC/V4D | | | | | | |
| 16 | 9161.111 | 996530050555 | MAGNET FOR FLOAT SUPERAUT. | | | | | | |
| 17 | 9121.046 | 996530049898 | BRONZE SINTERED BUSH FOR MOTOR RATIOMOT. | | | | | | |
| 18 | 148380200 | 996530017424 | BAKELIZZATE WASHER D=5,5 | | | | | | |
| 19 | 9121.044 | 996530049896 | ANTIVIBRATION FOR MOTOR | | | | | | |
| 20 | 11005214 | 996530002796 | MOTOR FOR RATIOMOTOR P124 ASSY. | | | | | | |
| 21 | - | 421944013951 | BLK RATIOMOTOR MOUNTING PLATE V3 SMR ASS | | | | | | |
| 22 | 17001508 | 996530073469 | BLACK MICRO COMPENSATOR SMR | | | | | | |
| 23 | - | 421944006861 | STEEL SPRING FOR MICRO COMPENSATOR SMR | | | | | | |
| 24 | 12001890 | 996530073209 | MICROSWITCH XG/V3D | | | | | | |
| 25 | - | 421941300331 | BLK BREW UNIT 8GR.8BAR SMR | | | | | | |
| | - | 421944010551 | BLK BREW UNIT 8GR.8BAR SBS SMR | ONLY FOR USA | | | | | |
| 26 | - | 421944008911 | BLK BREW UNIT DRAWER COFFEE SMR | | | | | | |
| 27 | - | 421944004861 | NOMEX INSULATE PROTECTION W=0,30 SMR | | | | | | |
| 28 | - | 421944010451 | SILICONE TUBE 3,5X6 L= 15 MM | | | | | | |





HD8761/01-03-06-07-08-09-11
 HD8761/18-41-43 - HD8762/01-03
 HD8762/07-19 - HD8764/01-02
 HD8772/47 - HD8775/48 - HD8780/01



Cod. 10004334-4426-25-24-27-882876109010-111010
 Cod. 882876118150 -141240-143240-10004363-4422
 Cod.10004421-882876219010-10004430-4431
 Cod. 10004423-4432-882878001010

| POS | CODE | 12NC | DESCRIPTION | NOTE | POS | CODE | 12NC | DESCRIPTION | NOTE |
|-----|--------------|--------------|--|--------------|-----|------|------|-------------|------|
| 01 | 11009362 | 996530005415 | BLK COF.Outlet SLEEVE BREW UNIT S0053 AS | ONLY FOR USA | | | | | |
| | 11002154 | 996530001192 | SBS VALVE P124 ASSY. | | | | | | |
| 02 | 12000550 | 996530007838 | SCREW TCB TORX 10 3X25 PLAST.SS | | | | | | |
| 03 | 11009276 | 996530005372 | BLK COUNTER PISTON TUBE BREW UNIT S0053 | | | | | | |
| 04 | 11001840 | 996530001046 | BLACK COUNTER PISTON BREW UNIT 8GR.P124 | | | | | | |
| 05 | NM01.044 | 996530059406 | OR ORM 0320-40 SILICONE PTFE/FDA | | | | | | |
| 06 | 9161.268 | 996530050709 | PERCOLATOR DE=35,8 ELFO | | | | | | |
| 07 | 20000440 | 996530009825 | BLACK WATER INLET SLEEVE BREW UNIT ASSY. | | | | | | |
| 08 | 9161.064.050 | 996530050488 | BLACK WATER INLET SLEEVE BREW UNIT ROYAL | | | | | | |
| 09 | NM02.007 | 996530059441 | OR 2025 TERMOIL | | | | | | |
| 10 | 9161.375.050 | 996530050832 | BLACK BREW UNIT REAR PLATE SMART | | | | | | |
| 11 | 12000895 | 996530007951 | SCREW TSP TORX 10 3X10 PLAST.SS | | | | | | |
| 12 | 11001556 | 996530000898 | SS BREW UNIT SPRING H=49 SMART | | | | | | |
| 13 | 9161.094.150 | 996530050541 | GREY BREW UNIT DRILLED BLOCK | | | | | | |
| 14 | 9161.066.050 | 996530050492 | BLACK BREW UNIT ELBOW SHAFT M5000 | | | | | | |
| 15 | 9161.373.050 | 996530050827 | BLACK BREW UNIT COUPLING PLATE SMART | | | | | | |
| 16 | 149261350 | 996530018241 | BLACK HOPPER DOSER BREW UNIT SMART1 | | | | | | |
| 17 | 129912521 | 996530013148 | SCREW TCB TORX 10 3,5X14 PLAST.SS | | | | | | |
| 18 | 9161.374.050 | 996530050829 | BLK BREWUNIT HOPPER BLOCKING PLATE SMART | | | | | | |
| 19 | 9161.378 | 996530050838 | SS HOPPER SPRING FOR BREW UNIT SMART | | | | | | |
| 20 | 11004161 | 996530002096 | BLACK SCRAPER FOR BREW UNIT M5000 | | | | | | |
| 21 | 9161.046 | 996530050455 | SS SCRAPER SPRING FOR BREW UNIT | | | | | | |
| 22 | 9161.198 | 996530050627 | SS.8GR.BREW UNIT PISTON SPRING | | | | | | |
| 23 | 9161.191 | 996530050618 | WHITE 8GR.-12GR.BREW UNIT PISTON BUSH | | | | | | |
| 24 | 11003077 | 996530001451 | BLK BREW UNIT INTEGRAL PISTON 8GR.ASSY. | | | | | | |
| 25 | 11003075 | 996530001448 | BLACK COFFEE CONTAINER BREW UNIT P124 | | | | | | |
| 26 | 11003078 | 996530001452 | BLACK CONNECTING ROD BREW UNIT 8GR. | | | | | | |
| 27 | 11005920 | 996530003228 | BLACK BREW UNIT FRONT PLATE S/SCR.SMART | | | | | | |
| 28 | 12000897 | 996530007953 | SCREW TCB TORX 10 3,5X20 PLAST.SS | | | | | | |
| 29 | 9991.168 | 996530051874 | GLASS SPHERE D.5 MM | | | | | | |
| 30 | 9161.222 | 996530050657 | SS.CONICAL SPRING | | | | | | |
| 31 | 11023086 | 996530007577 | BLK 8GR.BREW UNIT NTEGR.PISTON GEN.ASSY. | | | | | | |
| 32 | 140328761 | 996530013575 | OR ORM 0060-15 TERMOIL | | | | | | |
| 33 | 17000737 | 996530073426 | BLACK BREW UNIT CONVEYOR SLIDE L=56,3 | | | | | | |
| - | | 421941300331 | BLK BREW UNIT 8GR.8BAR SMR | | | | | | |
| - | | 421944010551 | BLK BREW UNIT 8GR.8BAR SBS SMR | ONLY FOR USA | | | | | |