

HD8761/01-03-06-07-08-09-11
 HD8761/18-26-41-43
 HD8762/01-03-07-19 - HD8764/01-02
 HD8772/47 HD8775/48 - HD8780/01-HD8861/11

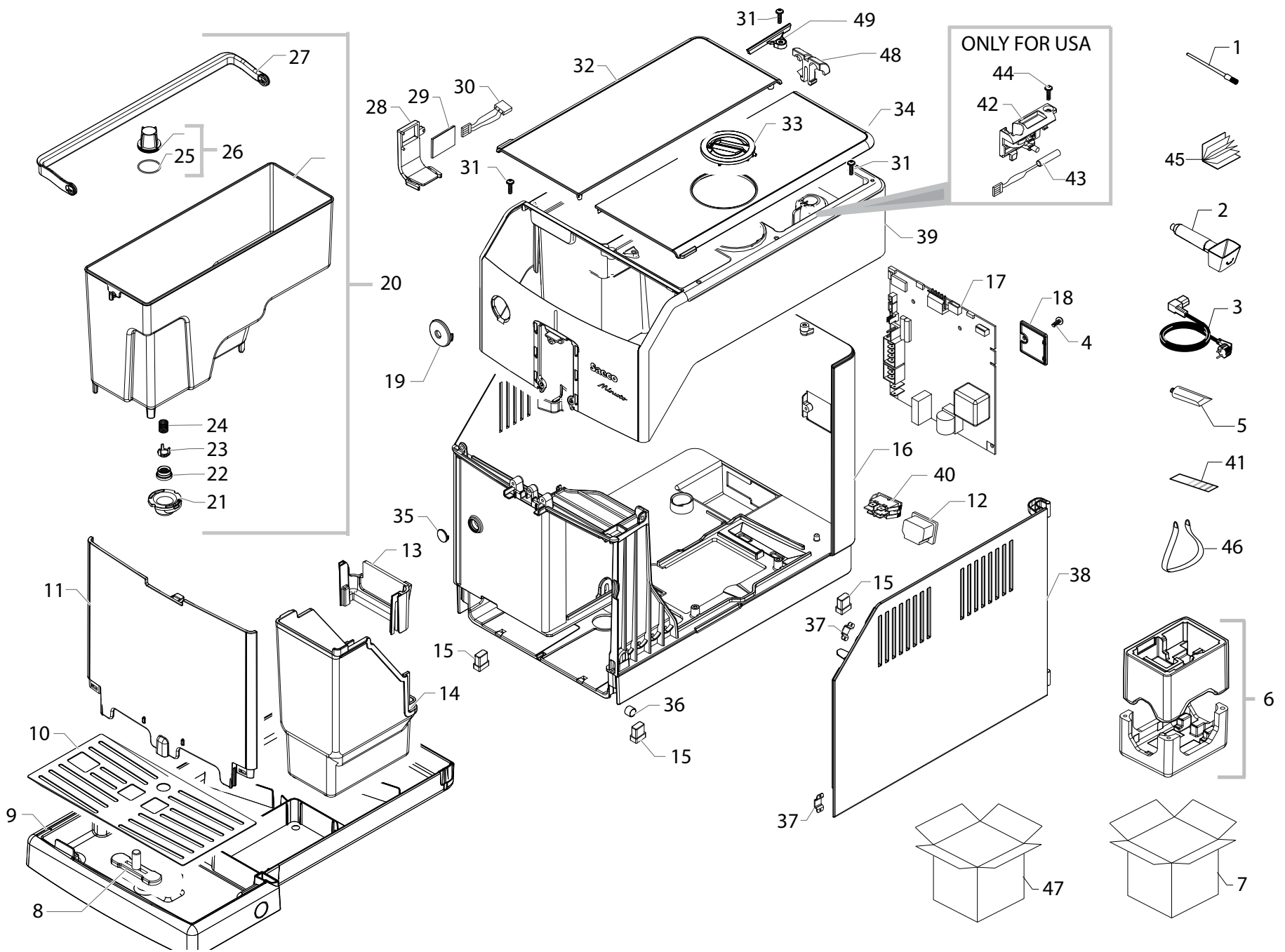


Cod. 10004334-4426-25-24-27-882876109010-6111010
 Cod. 882876118150 -6126100-6141240-6143240
 Cod. 10004363-4422-4421-882876219010-10004430-4431
 Cod. 10004423-4432-882878001010-86111010

POS	CODE	12NC	DESCRIPTION	NOTE	POS	CODE	12NC	DESCRIPTION	NOTE
01	127390100	996530011867	BRUSH FOR CLEANING		17		421941308231	KIT SPARES CPU+SW H2S3 SMR 230V ASSY.	
02		421944033301	BLK ABS COFFEE MEASURE SMART					KEEP FOR HD8761/03-06-07-43 HD8762/03-07	
03	-	421946001591	BLK POWER CABLE SCHUKO L=800					DON'T USE FOR HD8861/11	
	183940650	996530025872	BLK POWER CABLE AUSTRALIA L=1200					FOR HD8761/01-09-11-18-26 HD8762/01-19	
	183970350	996530025882	BLK POWER CABLE UK L=1200					HD8764/01-02 HD8780/01	
	11001985	996530001089	BLK POWER CABLE KOREA L=1200					UP TO S/N. TW901441664667	
	17800019	996530009627	BLK POWER CABLE BRAZIL L=1200		17		421941308281	KIT SPARES CPU+SW H2S4 SMR/PRM 230V ASSY.	230V
	17800330	996530069926	BLK POWER CABLE BRAZIL L=1200					ALWAYS VALID FOR HD8861/11	
	183921950	996530025843	BLK POWER CABLE SJT3 USA UL L=1200					FOR HD8761/01-09-11-18-26 HD8762/01-19	
	11004246	996530002166	BLK POWER CABLE TAIWAN HVCTF L=1200					HD8764/01-02 HD8780/01	
	11004247	996530002167	BLK POWER CABLE RVV 3X1 CHINA L=1200					FROM S/N. TW901441664668	
04	129913202	996530013156	SCREW TCB TORX 10 3X8 PLAST.ZN-B		17	-	421941302461	CPU+SW SMR 120V NA ASSY.	120V
05		421946017941	KLUBERLUB NH1 11-222 TUBE 5GR.					FOR HD8772/47- HD8775/48	
06	-	421940812921	KIT PS-E INSERT FOR BOX SMR		17	-	421941302481	CPU+SW SMR 120V TWN ASSY.	120V
07	13001698	996530073649	DISPL.BOX V2 SMR SAE MINUTO					FOR HD8761/08-41	
		421946015671	DISPL.BOX V3 SMR/P-H-T SAE MINUTO		18	17001484	996530068728	MATT/BLK REAR CASING PROGRAM.INSERT NPR	BLACK
			HD8761/01-09-11-18-26 -62/01-19 64/01-02 80/01 8861/11			11031663	996530073499	CRC REAR CASING PROGRAM.INSERT NPR	CRC
		-	DISPL.BOX SMR/H SAE MINUTO CLASS USA				421944034441	G/ANT REAR CASING PROGRAM.INSERT NPR	HD8861/11
		-	DISPL.BOX SMR/P SAE MINUTO FOCUS USA		19	17001025	996530073478	MATT/BLACK FRONT PANEL CAP SMR	BLACK
08	11013184	996530006683	RED FLOAT FOR DRIP TRAY XSM			11031661	996530073501	CRC FRONT PANEL CAP SMR	CRC
09	17001568	996530073458	MATT/BLACK DRIP TRAY SMR/B-H-P				421944039021	G/ANT FRONT PANEL CAP SMR	HD8861/11
10	17001032	996530073466	SB/SS GRATE FOR DRIP TRAY SMR/B-H-P		20	17001363	996530073476	NAT/GREY WATER CONTAINER SMR ASSY.	
			FOR HD8761/03-06-07-08-41-43-62/03-07		21	17001366	996530073463	BLACK LID FOR DUCKBILL VALVE SMR	
			HD8772/47 HD8775/48		22	11003671	996530001829	TRANSP.VALVE FOR WATER CONTAINER P0049	
		421944031791	BA/SS GRATE FOR DRIP TRAY SMR/B-H-P		23	-	421941157852	GRY WATER CONTAINER VALVE INSERT P0049	
			FOR HA8761/01-09-11-18-26- HD8861/11		24	11003672	996530001831	SS SPRING FOR WATER CONTAIN.VALVE P0049	
			HD8762/01-19 HD8764/01-02-HD8780/01		25	140328461	996530013571	OR ORM 0190-10 EPDM	
11	-	421944014751	CRC DRIP TRAY INSERT V2 SMR		26	224640200	996530029115	WHITE WATER CONTAINER EXT.FILTER ASSY.	WITH PART.25
		-	M/BLK DRIP TRAY INSERT V2 SMR		27	17001322	996530073442	BLACK WATER CONTAINER HANDLE SMR	
		421944038991	G/ANT DRIP TRAY INSERT V2 SMR		28	17001474	996530073436	BLACK WATER LEVEL SENSOR SUPPORT SMR	
12	12000280	996530007788	CUP SOCKET EN 60320 C 13		29	11003232	996530001522	AS.CPU+SW WATER LEVEL SENSOR V2	
13	17001005	996530073483	BLACK DUMP BOX INSERT NPR					KEEP FOR HD8761/03-06-07-08-41-43	
14	17001503	996530073437	BLACK DUMP BOX SMR					HD8762/03-07 HD8772/47 HD8775/48	
15	17001556	996530073468	TRANSP.SILICONE FOOT SMR					FOR OTHER MODEL - TO S/N. TW901441664667	
16	-	421944014591	M/BLK CASING SMR ASSY.				421941306721	CPU+SW WATER LEVEL SENSOR V3 ASSY.	
			ALL BLACK MODELS					FROM S/N.TW901441664668	
		421944014631	CRC CASING SMR ASSY.		30	-	421946000021	3POLES CONNECTOR WATER LEVEL SMR UL	
			HD8761/11 8762/03-07-8764/02-8772/47-8780/01		31	12001728	996530070321	SCREW TCB TORX 10 3,5X12 PLAST.SS	
		421944038971	G/ANT CASING SMR ASSY.	HD8861/11	32	17001209	421944025451	BLK WATER CONTAINER LID V2 SMR	
								UP TO S/N. TW901423322024	



MINUTO FOCUS - CLASS



HD8761/01-03-06-07-08-09-11
 HD8761/18-26-41-43
 HD8762/01-03-07-19 - HD8764/01-02
 HD8772/47 HD8775/48 - HD8780/01-HD8861/11

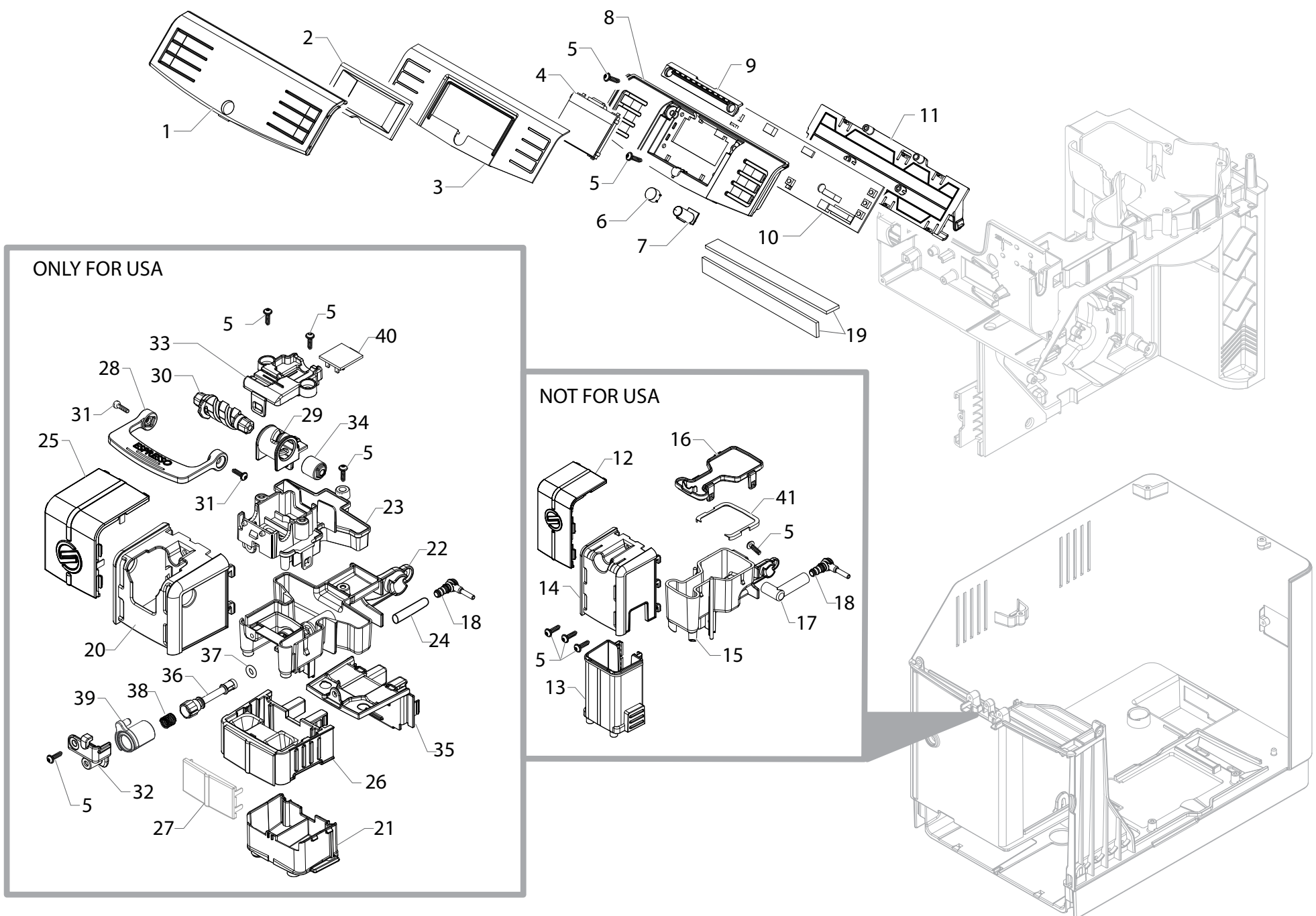


Cod. 10004334-4426-25-24-27-882876109010-6111010
 Cod. 882876118150 -6126100-6141240-6143240
 Cod. 10004363-4422-4421-882876219010-10004430-4431
 Cod. 10004423-4432-882878001010-86111010

POS	CODE	12NC	DESCRIPTION	NOTE	POS	CODE	12NC	DESCRIPTION	NOTE
32		421944025451	BLK WATER CONTAINER LID V2 SMR FROM S/N. TW901423322025		39	-	421944010521	CRC UPP.CASING COV.V2 S/SC.SAE SMR/H-P UP TO S/N. TW901423322024	HD8772/47
		421944039011	G/ANTWATER CONTAINER LID V2 SMR	HD8861/11			421944027381	CRC UPP.CASING COV.V4 S/SC.SAE SMR/H-P FROM S/N. TW901423322025	
33	11031477	996530073487	TRANSP/GREY GROUND COFFEE HOPPER LID NPR		39	-	421944011031	M/BLK UPP.CASING COV.V2 S/SC.SAE SMR/H-P UP TO S/N. TW901423322024	HD8775/48
34	17001207	996530073477	BLK BEAN COF.CONT.LID SMR FOR HD8761/01-03-06-07-09-11-18-26-43 HD8762/01-03-07-19 HD8764/01-02 UP TO S/N. TW901423322024				421944027391	M/BLK UPP.CASING COV.V4 S/SC.SAE SMR/H-P FROM S/N. TW901423322025	
	-	421944008211	BLK BEAN COF.CONT.LID W/SEAL SMR/T UP TO S/N. TW901423322024	HD8780/01	39	-	421944012961	M/BLK UPP.CASING COV.V2 S/SC.MIN.SMR/H-P UP TO S/N. TW901423322024	HD8761/08-41
34		421944025441	BLK BEAN COF.CONT.LID V2 SMR/B-H-P FOR HD8761/01-03-06-07-09-11-18-26-43 HD8762/01-03-07-19 HD8764/01-02 HD8780/01 FROM S/N. TW901423322025				421944027371	M/BLK UPP.CASING COV.V4 S/SC.MIN.SMR/H-P FROM S/N. TW901423322025	
34	-	421944010481	BLK BEAN COF.CONT.LID SMR/HS ASSY. FOR HD8761/08-41 HD8772/47 HD8775/48 UP TO S/N. TW901423322024		40	-	242212625104	SWI POW 2P 12A 250V FASTON GP12H B	
		421944027571	BLK BEAN COF.CONT.LID V2 SMR/HS ASSY. FOR HD8761/08-41 HD8772/47 HD8775/48 FROM S/N. TW901423322025				242212625106	SWI POW 2P 10A 250V FASTON 8500 B HD8772/47 HD8775/48 HD8761/08-41	
34		421944039001	G/ANT BEAN COF.CONT.LID V2 SMR/B-H-P	HD8861/11	41	0301.961	996530039604	STICKER FOR WATER HARDNESS TEST	
35	11031523	996530073462	BLACK INFRAREDS PLATE RYL		42		421944009411	BLK REED SUPPORT SMR	ONLY FOR USA
36	9161.111	996530050555	MAGNET FOR FLOAT SUPERAUT.		43	17800442	996530073661	2P.CONN.SENS.REED DUMP BOX CST UL ASSY	ONLY FOR USA
37	11013220	996530069857	STEEL PLATE FOR DOOR MAGNET XSM		44	12000895	996530007951	SCREW TSP TORX 10 3X10 PLAST.SS	ONLY FOR USA
38	17001065	996530073429	MATT/BLACK RIGHT SIDE DOOR SMR HD8761/01-03-06-07-08-09-18-26-41-43 HD8762/01-19 8764/01 8775/48		45	-	421944010581	MANUAL SAE HD8772 SMR/HS GB	
	11031665	996530073502	CRC RIGHT SIDE DOOR SMR HD8761/11 8762/03-07 8764/02 8772/47 8780/01				421944010591	MANUAL SAE HD8772 SMR/HS FR	
		421944039051	G/ANT RIGHT SIDE DOOR SMR	HD8861/11			421944010611	MANUAL SAE HD8772 SMR/HS ES	
39	17001309	996530073435	MATT/BLK UPPER COVER CASING S/SC.SMR/H-P HD8761/01-03-06-07-09-18-43 HD8764/01 HD8762/01-19 UP TO S/N. TW901423322024		45	-	421944010981	MANUAL SAE HD8775 SMR/PS GB	
		421944027121	M/BLK UPP.CASING COVER V3 S/SCR.SMR/H-P FROM S/N. TW901423322025				421944010991	MANUAL SAE HD8775 SMR/PS FR	
39	11031669	996530073503	CRC UPPER COVER CASING S/SCR.SMR/H-P UP TO S/N. TW901423322024				421944011001	MANUAL SAE HD8775 SMR/PS ES	
		421944027131	CRC UPP.CASING COVER V3 S/SCR.SMR/H-P FROM S/N. TW901423322025				421940438211	MANUAL SAE HD8761 SMR/P GB	
			HD8764/02 HD8762/03-07 HD8780/01 HD8761/11				421940438431	MANUAL SAE HD8761 SMR/P CHN	
							421940438511	MANUAL SAE HD8762 SMR/H GB	
							421940438731	MANUAL SAE HD8762 SMR/H CHN	
							421940438471	MANUAL SAE HD8761 SMR/P BRA	
							421946013851	MANUAL SAE HD8761 V2 SMR/P DE	
							421946013891	MANUAL SAE HD8761 V2 SMR/P GB	
							421946018301	MANUAL SAE HD8761 V2 SMR/P NL(BE)	
					46	179990300	996530022764	BAND FOR LIFTING L=1550MM H=300MM	
					47	-	421944014401	WHT EXTERNAL BOX SMR SAE MINUTO	HD8772/47
					48		421944023921	BLK LIDS FIXING INSERT SMR	
					49		421944040451	BLK CONT.SEP.INSERT SMR	



MINUTO FOCUS - CLASS



HD8761/01-03-06-07-08-09-11
 HD8761/18-26-41-43
 HD8762/01-03-07-19 - HD8764/01-02
 HD8772/47 HD8775/48 - HD8780/01-HD8861/11

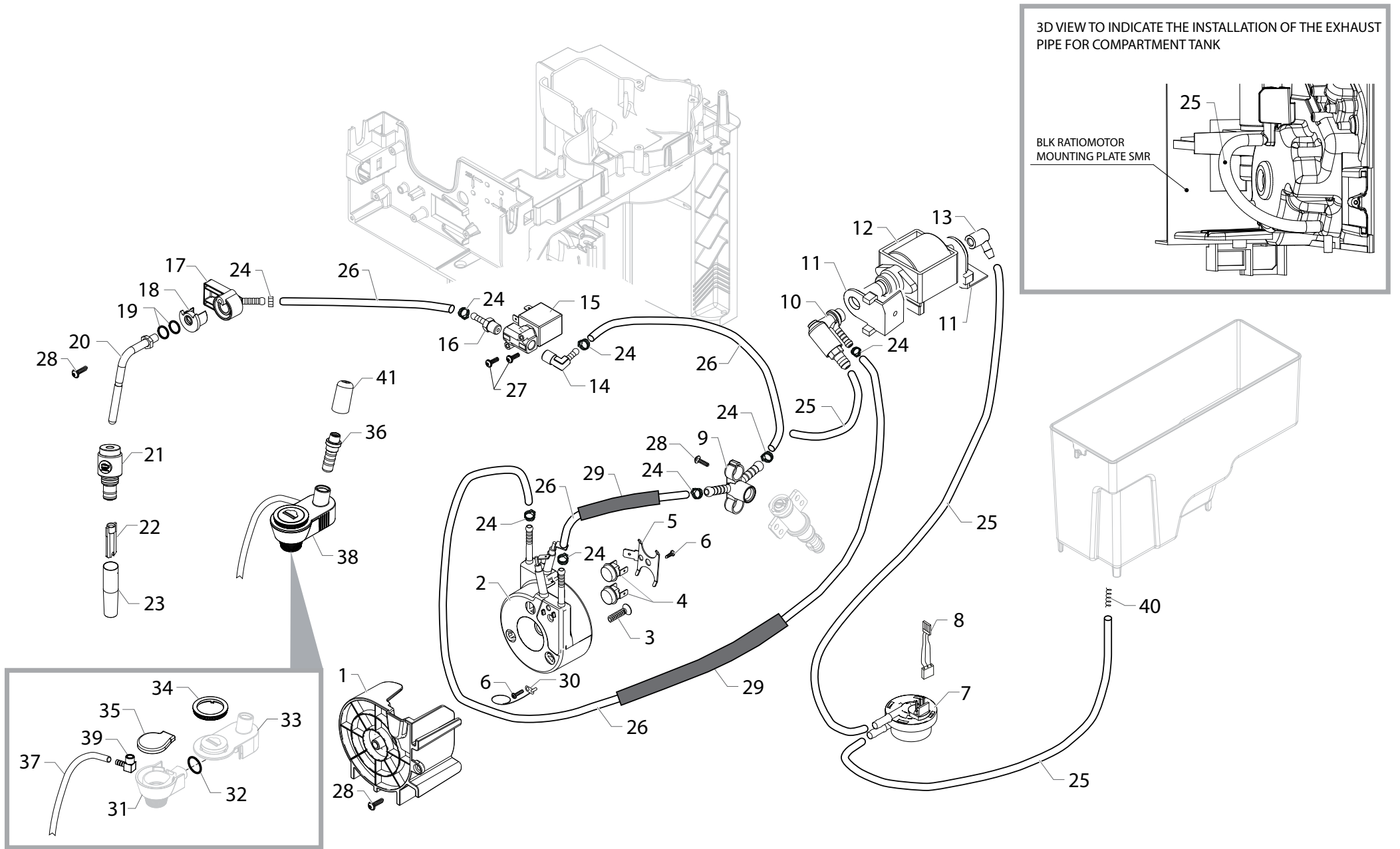


Cod. 10004334-4426-25-24-27-882876109010-6111010
 Cod. 882876118150 -6126100-6141240-6143240
 Cod. 10004363-4422-4421-882876219010-10004430-4431
 Cod. 10004423-4432-882878001010-86111010

POS	CODE	12NC	DESCRIPTION	NOTE	POS	CODE	12NC	DESCRIPTION	NOTE	
01	11031247	996530073461	DISPLAY FRONT PANEL S/SCR.BLACK SMR/H KEEP FOR HD8762/03-07 CHANGE FOR HD8762/01-19 HD8780/01 TO S/N. TW901441664667	CLASS	16	-	421944017631	BLK COFFEE DISPENSER BODY LID V3 SMR		
		421944031731	DISPLAY FRONT PANEL S/SCR.BLK V3 SMR/H FROM S/N. TW901441664668		17	17000955	996530073471	TRANS.BREW UNIT COF.OUTLET CONN.TUBE SMR		
01	11030951	996530073475	DISPLAY FRONT PANEL S/SCR.BLACK SMR/P KEEP FOR HD8761/03-06/07-08-41-43 CHANGE FOR HD8761/01-09-11-18-26- 64/02- HD8861/11 - TO S/N. TW901441664667	FOCUS	18	17001849	996530073464	BLK BREW UNIT COFFEE OUTLET CONNECT.SMR		
		421944035141	DISPLAY FRONT PANEL S/SCR.BLK V3 SMR/P FROM S/N. TW901441664668		19	-	421944008251	BLK ADH.AERSTOP SMR		
		421941293861	DISPLAY FRONT PANEL S/SCR.BLK/SIL SMR/PA TO S/N. TW901441664667	HD8764/01	20	-	421944007441	BLK COFFEE DISPENSER LID V2 SMR		
		421944039301	DISP.FRONT PANEL V2 S/SCR.BLK/SIL SMR/PA FROM S/N. TW901441664668	HD8764/01-02	21	-	421944009911	M/BLK COF.DISPEN.MOBILE PART V2 SMR ASSY		
		-	421944010091	DISPLAY FRONT PANEL S/SCR.BLK V2 SMR/H	HD8772/47	22	-	421941292671	BLK COFFEE DISPENSER BODY V2 SMR	
		-	421944010081	DISPLAY FRONT PANEL S/SCR.BLK V2 SMR/P	HD8775/48	23	-	421941292661	BLK COFFEE DISPENSER BODY LID V2 SMR	
02	17001270	996530073484	BLACK DISPLAY FRAME SMR		24	229369000	996530031661	SILICONE TUBE 5X8 70SH L= 45 MM		
03		421944025241	BLK FRONT PANEL MEMBRANE V3 SMR/H-P-T		25	-	421944010071	SS COF.DISPENS.FRONT PLATE V2 SMR ASSY.		
04		421941300941	DISPLAY LCD 128X64 SMR		26	-	421944009991	BLK COF.DISPEN.MOBILE PART SUPP.SMR ASSY		
05	12000450	996530007819	SCREW TCBR TORX 10 3,5X12 PLAST.ZN-N		27	-	NOT AVAILABLE	SS COF.DISPEN.LOWER FRON.PLATE COVER SMR		
06	11030953	996530073434	TRANSP.STAND-BY BUTTON S/SCR.SMR		28	-	421941302991	CHROM.CREAM ADJUSTMENT LEVER SMR		
07	17002075	996530073441	WHITE STAND-BY BUTTON LIGHT GUIDE SMR		29	-	421941292681	BLK CREAM ADJUSTMENT SLIDE SMR		
08		421944017321	BLK DISPLAY SUPPORT V2 SMR/H-P-T ASSY.		30	-	421941292691	BLK CREAM ADJUSTMENT SCREW SMR		
09		NOT AVAILABLE	BLK FRONT.PANEL MEMBRANE SUPP.SMR/H-P-T		31	WGA4326038000	996530063583	SCREW TSP 3,5X16 INOX		
10	-	421940812951	KIT SPARES KYB - DISPLAY SMR 230V	230v	32	-	421941293051	BLK CREAM ADJUSTMENT KNOB INSERT SMR		
	-	421940813011	KIT SPARES KYB - DISPLAY SMR 120V	120v	33	-	421941293031	BLK CREAM ADJUSTMENT BOARD SUPP.SMR		
11	17000704	996530073485	BLACK DISPLAY KEYBOARD SUPPORT SMR		34	-	421941293041	BLK CREAM ADJUSTMENT LEVER INSERT SMR		
12	17002122	996530073486	SS COFFEE DISPENS.FRONT PLATE SMR ASSY. KEEP FOR HD8761/03-06/07-08-41-43 HD8762/03-07 FOR OTHER MODEL - TO S/N. TW901441664667		35	-	421944007481	BLK COF.DISPENS.LOWER FRONT PLATE SMR		
		421944031751	BA SS COF.DISPENS.FRONT PLATE SMR ASSY. FROM S/N. TW901441664668		36	-	421944007491	WHT CREAM ADJUSTMENT SHAFT SMR		
13	-	421944008261	M/BLK COF.DISPEN.MOBILE PART SMR ASSY.		37	140326661	996530013546	OR ORM 0040-20 BLACK EPDM		
14	17002059	996530073432	MATT/BLACK COFFEE DISPENSER LID SMR		38	126772518	996530011711	SS CREAM ADJUSTMENT SHAFT SPRING		
15	17001022	996530073451	BLACK COFFEE DISPENSER BODY SMR		39	-	421941292331	BLK CREAM ADJUSTMENT KNOB SMR		
					40	-	421941300301	SELECTION DRIP-ESPRESSO BOARD SMR		
					41	-	421944017651	BLK COFFEE DISPENSER BODY SEAL SMR		



MINUTO FOCUS - CLASS



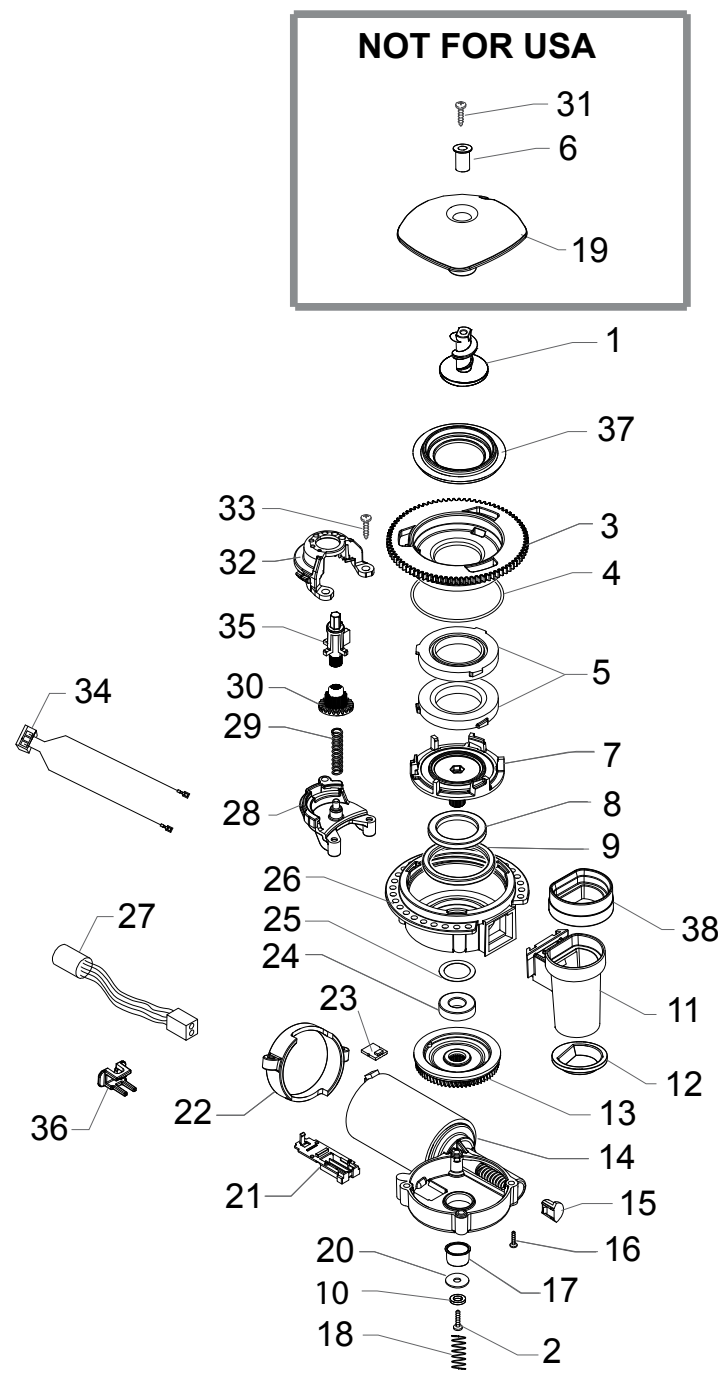
HD8761/01-03-06-07-08-09-11
 HD8761/18-26-41-43
 HD8762/01-03-07-19 - HD8764/01-02
 HD8772/47 HD8775/48 - HD8780/01-HD8861/11



Cod. 10004334-4426-25-24-27-882876109010-6111010
 Cod. 882876118150 -6126100-6141240-6143240
 Cod. 10004363-4422-4421-882876219010-10004430-4431
 Cod. 10004423-4432-882878001010-86111010

POS	CODE	12NC	DESCRIPTION	NOTE	POS	CODE	12NC	DESCRIPTION	NOTE
01		421944040831	BLK SLIM TUB.BOILER SUPPORT V2 SMR		33	-	NOT AVAILABLE	BLK CAPPUC.CASING COVER S/SCR.SMR/H ASSY	SEE POS. 38
02	17000346	996530068751	HP/SLIM TUB.BOILER ASSY.	230V-1900W	34	-	421941301121	BLK CAPPUC.CASING COVER RING SMR/H	CLASS
	11023153	996530007586	SLIM TUB.BOILER 1300W 120V ASSY.	120V -1300W	35	-	421941301131	BLK CAPPUC.CASING SEAL SMR/H	CLASS
03	12001280	996530008024	SCREW TSP TORX 10 5X20 PLAST.ZN-B		36	-	421941301142	BLK STEAM TUBE INSERT V2 SMR/H	CLASS
	12001369	996530008039	SCREW TSP TORX 10 5X35 PLAST.SS				421941301143	BLK STEAM TUBE INSERT V3 SMR/H	WITH POS.41
04	12001033	996530007973	THERMOSTAT ONE SHOT 190°					HD8762/01-19 HD8780/01	
05	11001751	996530000997	TUB.BOILER V3 UPPER THERM.FIXING SPRING		37	9972.045	996530051237	SILICONE TUBE 3,5X6 L=350 MM DS	CLASS
06	12001715	996530069758	SCREW TCB TORX 20 M4X8 AUTOFORMING ZN-B			149360400	996530018272	TRANSPARENT SILICONE TUBE 3,5X6 IN ROLL	IN ROLL
07	NV99.099	996530059843	TURBINE D=1,2 932-8521/00 ASSY.		38	-	421944023801	BLK CAPPUC.V3 SMR/H ASSY.	CLASS
08	17800686	996530073488	3POLES CONNECTOR FLOWMETER SMR UL		39	147922350	996530017377	BLACK CONNECTOR 90° FOR SPHERIC.CAPPUC.	CLASS
09	17000727	996530073427	BLACK CONNECTOR FOR PIN BOILER SMR		40	0701.081	996530073439	SPRING FOR TUBE PRODUCT 1	
10	11004689	996530002484	TEA/BRASS SAFETY VALVE 16-18 BAR ASSY.		41		421944031451	CHROMED STEAM TUBE INSERT COVER SMR/H	
11	149205850	996530018056	BLACK TYPE ULKA PUMP W/BEVEL SUPPORT						
12	12000140	996530007753	ULKA PUMP EP5/S GW	230V-50HZ		-	421941300801	HP/SLIM TUB.BOILER SMR 1900W 230V ASSY.	1900W 230V
	12000182	996530007782	ULKA PUMP EP5/S GW 220V-60HZ	220V-60HZ		-	421944010421	SLIM TUB.BOILER SMR 1300W 120V ASSY.	1300W 120V
	12000142	996530007754	ULKA PUMP EAP5/S 120V-60HZ	120V-60HZ					
13	11002149	996530001186	BLACK PUMP OUTLET 90°CONNECTOR P0049/A						
14		NOT AVAILABLE	L-F/BRASS CONNECTOR FOR BOILER AURA						
15		421944029371	SOLENOID VALVES V2 SMR/T 24V ASSY.						
16		NOT AVAILABLE	L-F/BRASS CONNECT.FOR ALUM.BOILER						
17	17001029	996530073457	STEAM TUBE SUPPORT SMR						
18	17001028	996530073456	BLACK BUSH FOR STEAM TUBE SMR						
19	140324461	996530013509	OR ORM 0060-20 TERMOIL						
20	11030926	996530073447	TF/CHROM.STEAM TUBE SMR ASSY.						
21	-	421941300671	BLK/SIL.STEAM TUBE HANDGRIP G0053						
22	11001620	996530000925	BLACK PANNARELLO INNER TUBE P0049						
23	11001769	996530001012	BLACK PANNARELLO COVER P0049						
	11001621	996530000926	SS PANNARELLO COVER P0049						
24	12000892	996530007947	OETIKER CLAMP D=9,5 16700004						
25	JS01.022	996530057357	SILICONE TUBE 5X10 60SH	IN ROLL					
26	16000380	996530009505	5X8,9 SILICONE TUBE	IN ROLL					
27	129823802	996530013077	TCB SCREW M4X8 UNI 7687 ZNP						
28	12000450	996530007819	SCREW TCBR TORX 10 3,5X12 PLAST.ZN-N						
29	16000540	996530009523	TRANSPAR.11X12,8 SILICONE TUBE	IN ROLL					
30	17800628	996530073428	TEMPERATURE SENSOR NTC UL L=550MM						
31		NOT AVAILABLE	BLK CAPPUC.CASING SMR/H	SEE POS. 38					
32	NM01.028	996530059392	O-RING 106 SILICONE						





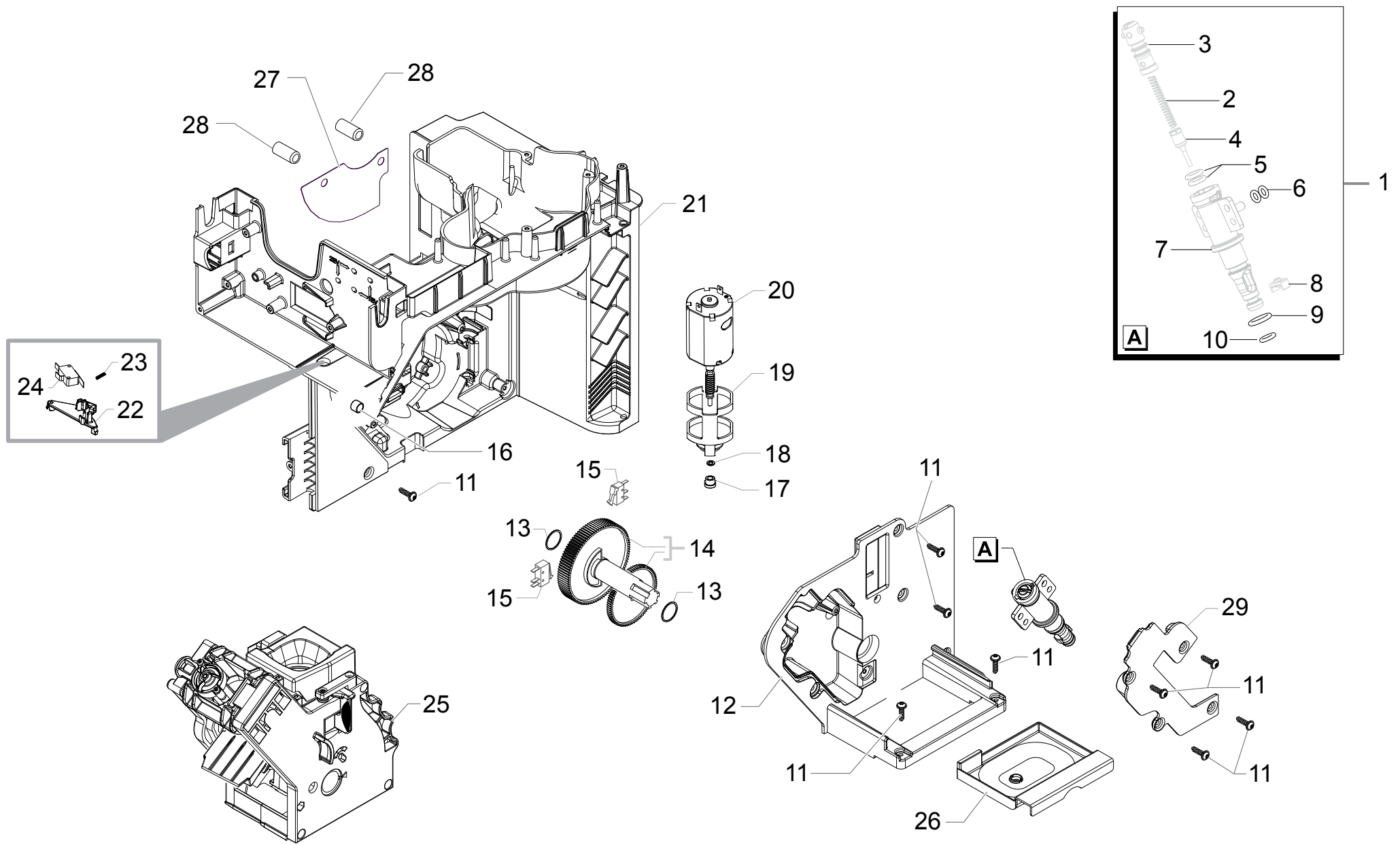
HD8761/01-03-06-07-08-09-11
 HD8761/18-26-41-43
 HD8762/01-03-07-19 - HD8764/01-02
 HD8772/47 HD8775/48 - HD8780/01-HD8861/11



Cod. 10004334-4426-25-24-27-882876109010-6111010
 Cod. 882876118150 -6126100-6141240-6143240
 Cod. 10004363-4422-4421-882876219010-10004430-4431
 Cod. 10004423-4432-882878001010-86111010

POS	CODE	12NC	DESCRIPTION	NOTE	POS	CODE	12NC	DESCRIPTION	NOTE
01	11010031	996530005586	TEA/ZAMA INCREASE SCREW GRINDER		37		421941085872	COFFEE GRINDER SEAL P119 GRY 7035	
02	129574802	996530012928	SCREW TCB TORX 20 M4X30 ZN-B		38	145854360	996530015958	BLK GROUND COFFEE CONT.UPPER SEAL SMART1	
03	-	421941094152	BLK COF.GRINDER UPPER GRINDER SUPPORT V2						
04	140328960	996530013577	OR ORM 0530-15 NBR FDA			17001502	996530073445	GEN.MOTOR COF.GRINDER SMR/H-P-T 230V ASSY	230V
05	146520100	996530016342	BAKED CLAY GRINDER 48X28			-	421944010431	GEN.MOTOR COF.GRINDER SMR/H-P-T 120V ASS	120V
06	11012466	996530006412	BRASS BUSH BEAN CONT.FINGER PROTEC.P0057						
07	149198350	996530017952	BLK LOWER COFFEEGRINDER GRINDER SUPPORT						
08	123030300	996530011183	AXIAL BEARING EKKO 342.35252						
09	140360500	996530013597	FELT RING 45,4X39,4X4						
10	128310402	996530012341	GALV.WASHER UNI 8842 A4						
11	11026355	996530068049	BLK GROUND COFF.OUTLET CONVEYOR V4 ASSY.						
12	11030459	996530072511	GRY GROUND COFFEE CONT.LOWER SEAL SMART1						
13	226000300	996530029609	GEAR SX Z=38 FOR GRINDER MOTION ASSY.						
14	11000513	996530000317	MOTOR COFFEEGRINDER V3.1 230V ASSY.	230V					
		421941305001	MOTOR COFFEEGRINDER V3.1 120V ASSY.	120V					
15	149214800	996530018139	MC V3 MOD=1,25 WORM SCREW CENTRING CAP						
16	129661702	996530012992	SCREW TCB TORX 3,5X30 PLAST.ZN-B						
17	11002873	996530001389	INSULATOR BUSH FOR GRINDER MOTOR P124						
18	11000597	996530000376	STEEL COF.GRINDER SUPPORT SPRING P124						
19	17001008	996530073467	TRANS.BEAN CONTAIN.FINGER PROTECT.SMR UL	NOT FOR USA					
20	128381902	996530012375	STEEL FLAT WASHER DI=4,3 DE=14 SP=1,5						
21	149199050	996530017963	BLK SENSOR SUPPORT FOR COF.GRINDER MOTOR						
22	11000194	996530000115	BLK COFFEEGRINDER MOTOR SUPPORT P124						
23	181540900	996530022784	ELECTR.BOARD WITH SENSOR HAL506 SF-K						
24	123030200	996530011182	RADIAL BEARING 61900.2RS1						
25	128381800	996530012374	STEEL CRINKLE WASHER 21,8X14X0,25						
26	142905450	996530015258	BLK UPPER BODY WITH COFFEE GROUND OUTLET						
27	17800687	996530073453	3P.CONN.MC SENSOR SMR UL ASSY.						
28	11002613	996530001314	LOWER COFFEEGRINDER GEAR SUPPORT P124						
29	11002572	996530001308	COFFEEGRINDER REGULATION SPRING P124						
30	11003784	996530001907	COFFEE GRINDING ADJUSTMENT GEAR P0049						
31	U043.004	996530061808	SCREW TCB M4X16 ZN-B						
32	11002508	996530001296	UPPER COFFEEGRINDER GEAR SUPPORT P124						
33	129914002	996530013165	SCREW TCB TORX 10 3,5X16 PLAST.ZN-B						
34	17800688	996530073454	2P.CONN.COF.GRINDER MOTOR SMR UL ASSY.						
35		421944025161	YLW BEAN COFFEE GRINDER INSERT SMR						
36	17001921	996530072477	BLK WIRING FIX INSERT FOR GRINDER BOARD						





HD8761/01-03-06-07-08-09-11
 HD8761/18-26-41-43
 HD8762/01-03-07-19 - HD8764/01-02
 HD8772/47 HD8775/48 - HD8780/01-HD8861/11



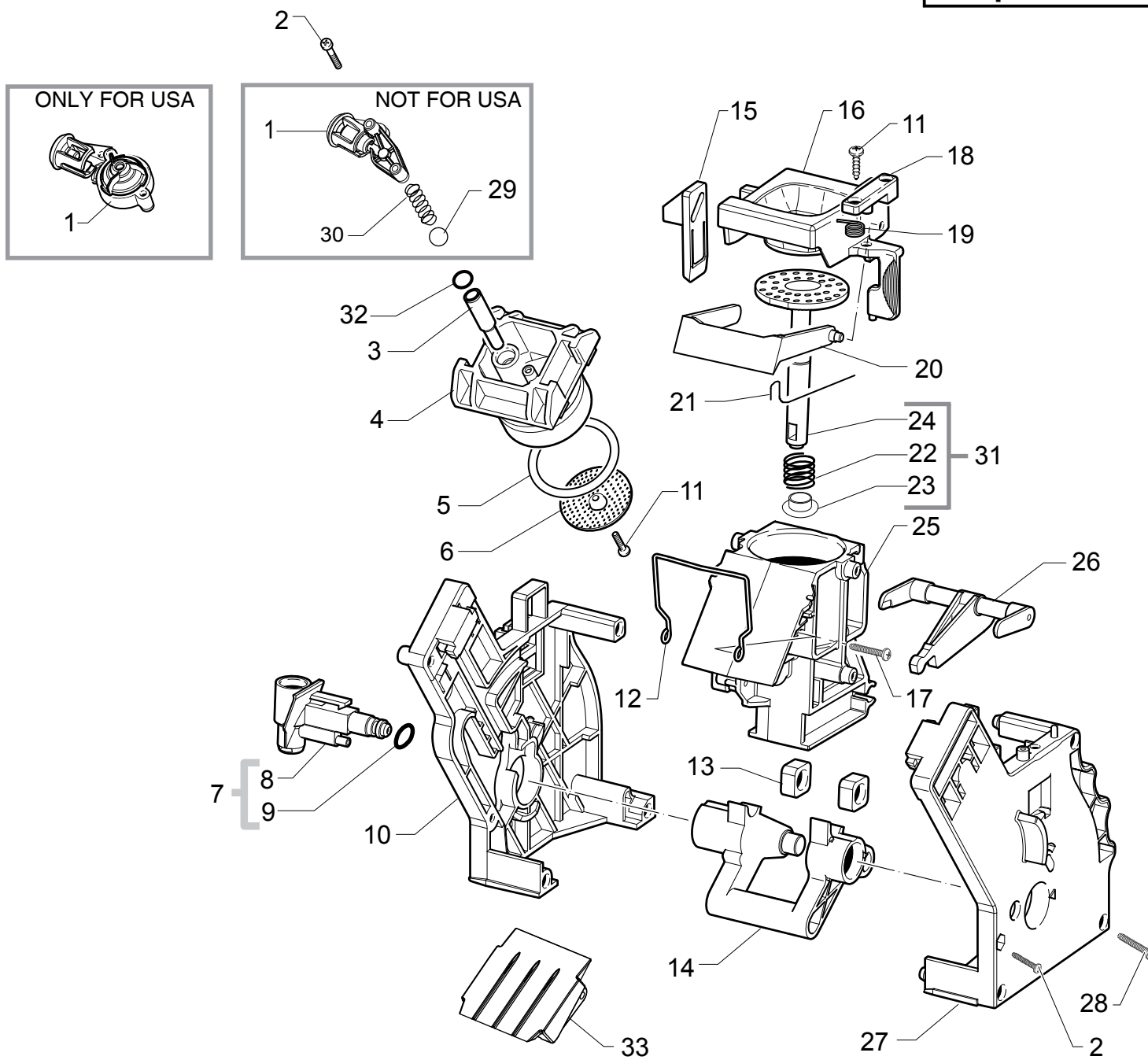
Cod. 10004334-4426-25-24-27-882876109010-6111010
 Cod. 882876118150 -6126100-6141240-6143240
 Cod. 10004363-4422-4421-882876219010-10004430-4431
 Cod. 10004423-4432-882878001010-86111010

POS	CODE	12NC	DESCRIPTION	NOTE	POS	CODE	12NC	DESCRIPTION	NOTE
01	11005060	996530002717	PIN V2 FOR BOILER P119 ASSY. KEEP FOR HD8761/03-06-07-08-41-43-62/03-07 HD8772/47 HD8775/48 FOR OTHER MODEL - TO S/N. TW901441664667		28	-	421944010451	SILICONE TUBE 3,5X6 L= 15 MM	
		421946011491	BLK PIN FOR BOILER VALVE 4BAR ASSY. FROM S/N. TW901441664668		29	17000730	996530074054	BLK CONT.SEP.INSERT SMR	
02	-	NOT AVAILABLE	SS SPRING FOR PIN						
03	-	NOT AVAILABLE	BLACK CAP V2 FOR PIN BOILER P119						
04	-	NOT AVAILABLE	TEA/BRASS PISTON L=20,9 ASSY.						
05	-	NOT AVAILABLE	OR ORM 0060-20 SILICONE PTFE/FDA						
06	140328059	996530013564	OR 2015 SILICONE PTFE/FDA						
07	-	NOT AVAILABLE	NAT.PIN V2 FOR BOILER P119						
08	-	NOT AVAILABLE	NATURAL CURSOR V2 FOR BOILER P119						
09	NM01.035	996530059399	OR ORM 0090-20 SILICONE						
10	NM01.057	996530059419	OR ORM 0050-20 IN SILICONE						
11	12001728	996530070321	SCREW TCBR TORX 10 3,5X12 PLAST.SS						
12	17001839	996530073444	BLK RATIOMOT.MOUNTING PLATE COVER SMR						
13	9161.132	996530050569	BLK RATIOMOT.MOUNTING PLATE COVER SMR						
14	20000900	996530009913	SPARES KIT GEARS FOR RATIOMOTOR V2						
15	NE05.038	996530058869	MICROSWITCH SAIA XCG5-81-P5						
16	9161.111	996530050555	MAGNET FOR FLOAT SUPERAUT.						
17	9121.046	996530049898	BRONZE SINTERED BUSH FOR MOTOR RATIOMOT.						
18	148380200	996530017424	BAKELIZZATE WASHER D=5,5						
19	9121.044	996530049896	ANTIVIBRATION FOR MOTOR						
20	11005214	996530002796	MOTOR FOR RATIOMOTOR P124 ASSY.						
21		421944013952	BLK RATIOMOTOR MOUNTING PLATE V4 SMR ASS						
22	17001508	996530073469	BLACK MICRO COMPENSATOR SMR						
23	-	421944006861	STEEL SPRING FOR MICRO COMPENSATOR SMR						
24	12001890	996530073209	MICROSWITCH XG/V3D						
25	-	421944036881	BLK BREW UNIT 8GR.8BAR V2 SMR KEEP FOR HD8761/03-06-07-08-41-43-62/03-07 FOR OTHER MODEL - TO S/N. TW901441664667						
	-	421944028471	BLK BREW UNIT 8GR.5BAR XS4 FROM S/N. TW901441664668						
25	-	421944036891	BLK BREW UNIT 8GR.8BAR V2 SBS SMR	ONLY FOR USA					
26	-	421944008911	BLK BREW UNIT DRAWER COFFEE SMR						
27	-	421944004861	NOMEX INSULATE PROTECTION W=0,30 SMR						



MINUTO FOCUS - CLASS

TABLE 5/6



HD8761/01-03-06-07-08-09-11
 HD8761/18-26-41-43
 HD8762/01-03-07-19 - HD8764/01-02
 HD8772/47 HD8775/48 - HD8780/01-HD8861/11



Cod. 10004334-4426-25-24-27-882876109010-6111010
 Cod. 882876118150 -6126100-6141240-6143240
 Cod. 10004363-4422-4421-882876219010-10004430-4431
 Cod. 10004423-4432-882878001010-86111010

POS	CODE	12NC	DESCRIPTION	NOTE	POS	CODE	12NC	DESCRIPTION	NOTE
01	11009362	996530005415	BLK COF.OUTLET SLEEVE BREW UNIT S0053 AS		33	17000737	996530073426	BLACK BREW UNIT CONVEYOR SLIDE L=56,3	
	11002154	996530001192	SBS VALVE P124 ASSY.	ONLY FOR USA		-	421944036881	BLK BREW UNIT 8GR.8BAR V2 SMR	230V
02	12000550	996530007838	SCREW TCB TORX 10 3X25 PLAST.SS					KEEP FOR HD8761/03-06-07-08-41-43-62/03-07	
03	11009276	996530005372	BLK COUNTER PISTON TUBE BREW UNIT S0053					FOR OTHER MODEL - TO S/N. TW901441664667	
04	11001840	996530001046	BLACK COUNTER PISTON BREW UNIT 8GR.P124				421944028471	BLK BREW UNIT 8GR.5BAR XS4	
05	NM01.044	996530059406	OR ORM 0320-40 SILICONE PTFE/FDA					FROM S/N. TW901441664668	
06	9161.268	996530050709	PERCOLATOR DE=35,8 ELFO				421944036891	BLK BREW UNIT 8GR.8BAR V2 SBS SMR	ONLY FOR USA
07	20000440	996530009825	BLACK WATER INLET SLEEVE BREW UNIT ASSY.						
08	9161.064.050	996530050488	BLACK WATER INLET SLEEVE BREW UNIT ROYAL						
09	NM02.007	996530059441	OR 2025 TERMOIL						
10	9161.375.050	996530050832	BLACK BREW UNIT REAR PLATE SMART						
11	12000895	996530007951	SCREW TSP TORX 10 3X10 PLAST.SS						
12	11001556	996530000898	SS BREW UNIT SPRING H=49 SMART						
13	9161.094.150	996530050541	GREY BREW UNIT DRILLED BLOCK						
14	9161.066.050	996530050492	BLACK BREW UNIT ELBOW SHAFT M5000						
15	9161.373.050	996530050827	BLACK BREW UNIT COUPLING PLATE SMART						
16	149261350	996530018241	BLACK HOPPER DOSER BREW UNIT SMART1						
17	129912521	996530013148	SCREW TCB TORX 10 3,5X14 PLAST.SS						
18	9161.374.050	996530050829	BLK BREWUNIT HOPPER BLOCKING PLATE SMART						
19	9161.378	996530050838	SS HOPPER SPRING FOR BREW UNIT SMART						
20	11004161	996530002096	BLACK SCRAPER FOR BREW UNIT M5000						
21	9161.046	996530050455	SS SCRAPER SPRING FOR BREW UNIT						
22	9161.198	996530050627	SS.8GR.BREW UNIT PISTON SPRING						
23	9161.191	996530050618	WHITE 8GR.-12GR.BREW UNIT PISTON BUSH						
24		421944025621	BLK BREW UNIT INTEGR.PISTON 8GR.V3 ASSY.						
25		421944014611	BLK COF.CONTAIN.BREW UNIT V2 M5000 ASSY.						
26	11003078	996530001452	BLACK CONNECTING ROD BREW UNIT 8GR.						
27	11005920	996530003228	BLACK BREW UNIT FRONT PLATE S/SCR.SMART						
28	12000897	996530007953	SCREW TCB TORX 10 3,5X20 PLAST.SS						
29		421944034451	BOROSILICATE SPHERE D.5 MM						
30	9161.222	996530050657	SS.CONICAL SPRING						
			KEEP FOR HD8761/03-06-07-08-41-43-62/03-07						
			FOR OTHER MODEL - TO S/N. TW901441664667						
	11012095	996530006305	SS BREW UNIT CONTERPISTON SPRING S0053						
			FROM S/N. TW901441664668						
31		421944029791	BLK BREW UNIT 8GR.INT.PISTON GEN.V3 ASSY						
32	140328761	996530013575	OR ORM 0060-15 TERMOIL						

