

HD8766/01-09 HD8767/01- HD8768/01-03-05
 HD8768/08-09-43 - HD8769/01-11
 HD8769/08-09-19 - HD8778/11

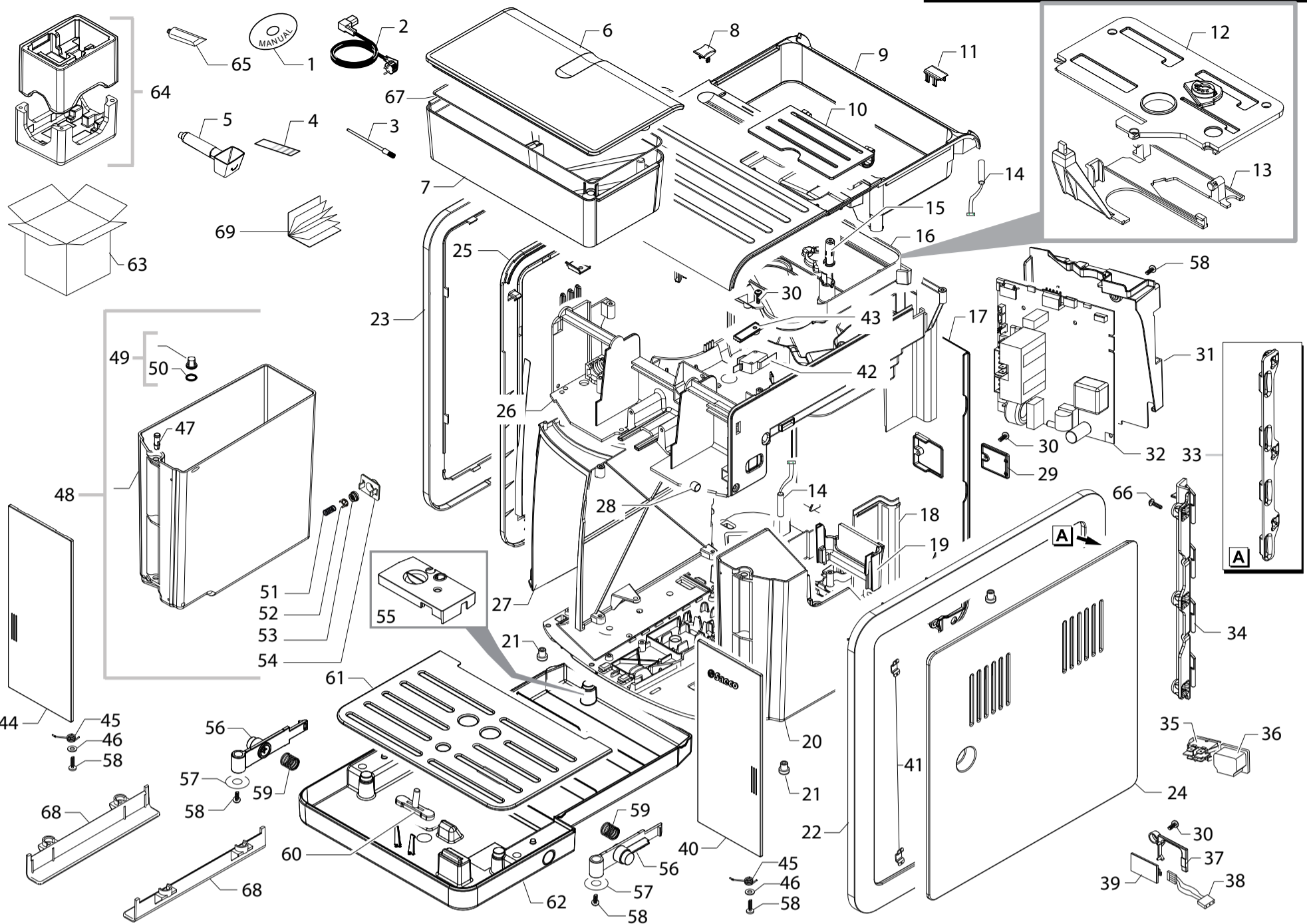


Cod. 10004394-4429-4395-4440-882876609010-6805710
 Cod. 882876808150-6809010-6843240-10004396-4441
 Cod. 882876908150-6909010-6919010-7811010

POS	CODE	12NC	DESCRIPTION	NOTE
01	15003981	996530073577	DOCUMENTATION CD HGO HIGO ASSY.	
02	183911050	996530025808	BLACK POWER CABLE SCHUKO L=1200	
	183940650	996530025872	BLK POWER CABLE AUSTRALIA L=1200	
	183970350	996530025882	BLK POWER CABLE UK L=1200	
		421946001591	BLK POWER CABLE SCHUKO L=800	
	17800019	996530009627	BLK POWER CABLE BRAZIL L=1200	
	11004247	996530002167	BLK POWER CABLE RVV 3X1 CHINA L=1200	
03	127390100	996530025808	BRUSH FOR CLEANING	
04	0301.961	996530039604	STICKER FOR WATER HARDNESS TEST	
05	146680850	996530016529	BLACK COFFEE MEASURE SMART	
06	-	421944012271	NAT/GRY COFFEE CONTAINER LID V2 HGO ASSY	
07	11031328	996530073529	NAT/GRY REMOVAB.BEAN COFF.CONT.HGO ASSY.	
08	17002119	996530073534	MATT/BLK BEAN COFF.CONT.RELEASE KNOB HGO	
			MILK FROTHER - MILK CARAFE BLK	
		421941305511	ANT. BEAN COF.CONT.RELEASE KNOB HGO	
			MILK FROTHER - MILK CARAFE SIL.	
		421944017991	G/ANT.BEAN COF.CONT.RELEASE KNOB HGO	
			MILK CARAFE QVC SIL	
09	17001356	996530073602	MATT/BLACK UPPER CASING COVER HGO/H-P	
	17002092	996530073547	MATT/BLACK UPPER CASING COVER HGO/T	MILK CARAFE
	11031714	996530073551	ANTHR.UPPER CASING COVER HGO/T	MILK CARAFE
	11031698	996530073659	ANT.UPPER CASING COVER HGO/H-P	
		421944015571	G/ANT.UPPER CASING COVER HGO/T	MILK CARAFE QVC
10	17001970	996530073539	MATT/BLK GROUND CONTAINER DOOR HGO	
			MILK FROTHER - MILK CARAFE BLK	
		421941300361	ANT.GROUND CONTAINER DOOR HGO	
			MILK CARAFE SIL	
		421944015581	G/ANT.GROUND CONTAINER DOOR HGO	
			MILK CARAFE QVC SIL	
11	17001380	996530069844	TRANSP.COVER INFRAREDS ACCESS NPR/T	MILK CARAFE
12		421941287982	BLK COF.CONT.RELEASE FIX PLATE V2 HGO	
13	17001888	996530073574	BLK BEAN COF.CONT.RELEASE PLATE HGO	
14	17800432	996530072785	2POLES CONNECT.SENSOR REED DOOR V2 G0053	
15	11003154	996530001476	BLACK REED SENSOR SUPPORT P0049	
16	17002010	996530073555	BLACK BEAN COF.CONTAINER SUPP.PLATE HGO	
17	17002019	996530073562	MATT/BLACK REAR CASING HGO	
18	-	421946000261	BLK CASING BOTTOM V2A NPR/L	

POS	CODE	12NC	DESCRIPTION	NOTE
		421944002581	BLK CASING BOTTOM HGO/T	MILK CARAFE
19	17001005	996530073483	BLACK DUMP BOX INSERT NPR	
20	17002002	996530073598	BLACK DUMP BOX HGO/H-P	
		421941288673	BLK DUMP BOX V3 HGO/T	MILK CARAFE
21	147622800	996530016875	TRANSPARENT SILICONE FOOT	
22	11031506	996530073587	SILVER RIGHT SIDE DOOR FRAME HGO	
	17002022	996530073657	M/BLK RIGHT SIDE DOOR FRAME HGO	
23	11031507	996530073607	SILVER LEFT SIDE CASING FRAME HGO	
	17002023	996530073658	M/BLK LEFT SIDE CASING FRAME HGO	
24	17002013	996530073533	MATT/BLACK RIGHT SIDE DOOR HGO	
25	17002021	996530073609	MATT/BLACK LEFT SIDE CASING HGO	
26	-	421941288362	BLK COF.GRINDER SUPP.PLATE V2 HGO/H-P	
		421941288652	BLK COF.GRINDER SUPP.PLATE V2 HGO/T	MILK CARAFE
27	17001114	996530068752	BLACK CASING BOTTOM INSERT NPR	
28	9161.111	996530050555	MAGNET FOR FLOAT SUPERAUT.	
29	17001484	996530068728	MATT/BLK REAR CASING PROGRAM.INSERT NPR	
30	129913202	996530013156	SCREW TCB TORX 10 3X8 PLAST.ZN-B	
31	11012301	996530006364	BLACK PWR/CPU BOARD PROTECTION P0057	
32	11031543	996530073546	CPU+SW HGO/H-P 230V ASSY.	
	11031545	996530073565	CPU+SW HGO/T 230V ASSY.	MILK CARAFE
33	11012714	996530006495	BLACK HINGE FOR REAR CASING XSM	
34	11012713	996530006494	BLACK HINGE FOR DOOR RIGHT SIDE XSM	
35	NE03.038	996530058836	BIPOLAR SWITCH FUSIT C1250AR	
		242212625107	SWI POW 2P 16A 250V FASTON IEC 1552 B	
36	12001883	996530072437	CUP SOCKET V3 EN 60320 C 13	
37	17001179	996530068749	BLK CAPACIT.SENSOR LOCKING INSERT NPR	
38	17800165	996530068745	3POLES CONNECTOR WATER LEVEL CLP UL	
39	11003232	996530001522	AS.CPU+SW WATER LEVEL SENSOR V2	
40	-	421941300921	MATT/BLACK DUMP BOX FRONT COVER HGO/H-P	
	17002090	996530073556	MATT/BLACK DUMP BOX FRONT COVER HGO/T	MILK CARAFE
	11031716	996530073568	ANTHR.DUMP BOX FRONT COVER HGO/T	MILK CARAFE
		421941301001	ANT.DUMP BOX FRON.COVER S/SCR.HGO/H-P	
		421944015611	G/ANT.DUMP BOX FRON.COVER HGO/T	MILK CARAFE QVC
41	11013220	996530069857	STEEL PLATE FOR DOOR MAGNET XSM	
42	12001890	996530073209	MICROSWITCH XG/V3D	
43	17000064	996530067437	BLK CAPACIT.SENSOR DEADLOCK INSERT XSM	
44	17001399	996530073588	MATT/BLK WATER TANK FRONT COVER HGO/H-P	





Saeco
INTERNATIONAL GROUP

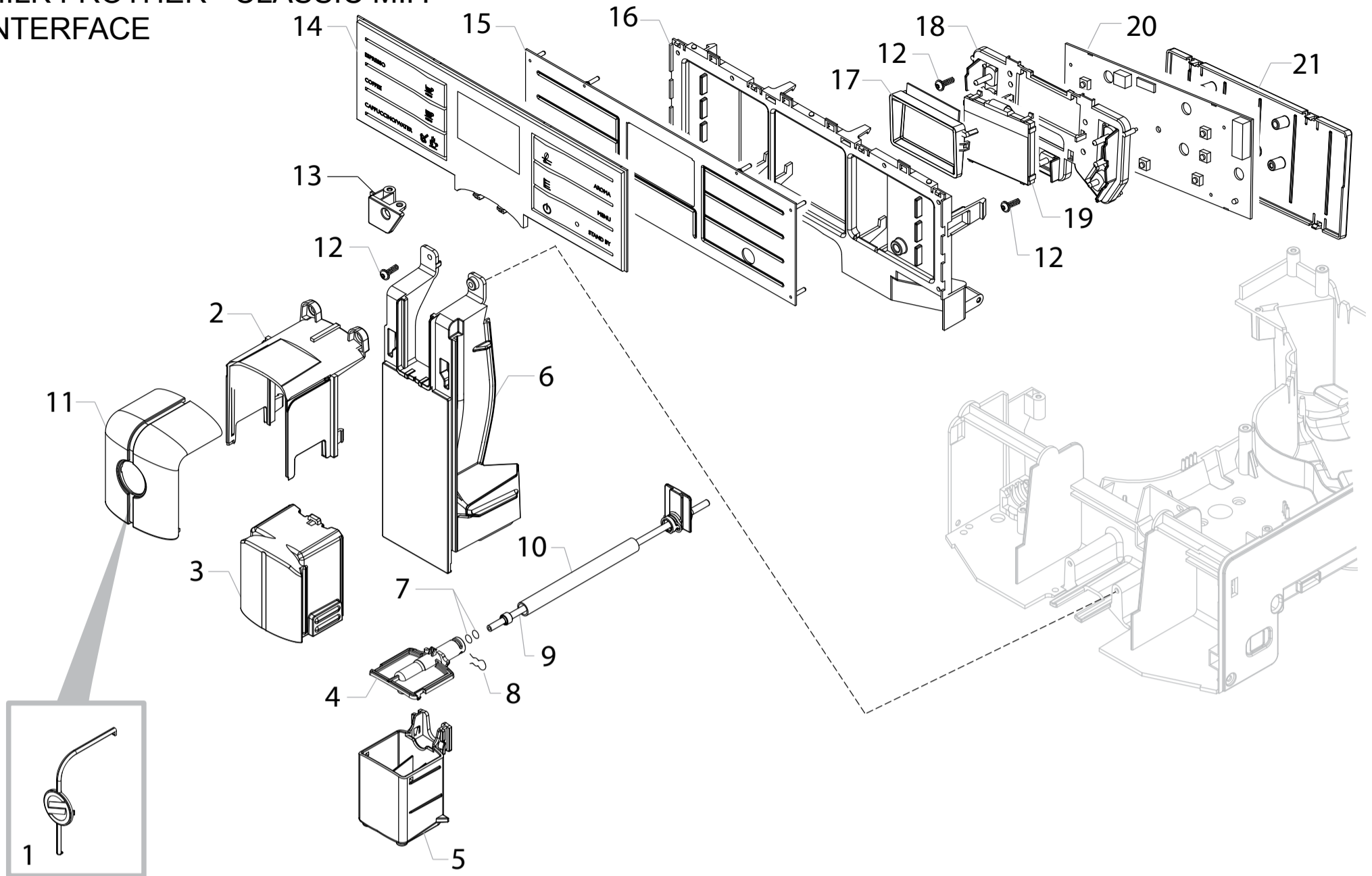
HD8766/01-09 HD8767/01- HD8768/01-03-05
HD8768/08-09-43 - HD8769/01-11
HD8769/08-09-19 - HD8778/11



Cod. 10004394-4429-4395-4440-882876609010-6805710
Cod. 882876808150-6809010-6843240-10004396-4441
Cod. 882876908150-6909010-6919010-7811010

POS	CODE	12NC	DESCRIPTION	NOTE	POS	CODE	12NC	DESCRIPTION	NOTE
	17002164	996530073583	MATT/BLK WATER TANK FRONT COVER HGO/T	MILK CARAFE					
	-	421941301011	ANT.WATER TANK FRON.COVER S/SCR.HGO/T	MILK CARAFE					
	11031713	996530073656	ANT.WATER TANK FRON.COVER HGO/H-P						
		421944015621	G/ANT.WATER TANK FRON.COVER S/SCR.HGO/T	MILK CARAFE QVC					
45	-	421944012991	SS OSCILLATING DOOR SPRING V3 HGO						
46	UN6592-4I	996530062212	SS.WASHER D.4 UNI6592 4,3X9						
47	9161.076.150	996530050504	GREY GROUND COF.DOSER DOOR PIN						
48	11031326	996530073593	NAT/GREY WATER CONTAINER HGO ASSY.						
49	224640200	996530029115	WHITE WATER CONTAINER EXT.FILTER ASSY.	WITH PART.N°50					
50	140328461	996530013571	OR ORM 0190-10 EPDM						
51	11003672	996530001831	SS SPRING FOR WATER CONTAIN.VALVE P0049						
52		421941157852	GRY WATER CONTAINER VALVE INSERT P0049						
53	11003671	996530001829	TRANSP.VALVE FOR WATER CONTAINER P0049						
54	11001298	996530000733	BLACK LID FOR DUCKBILL VALVE P0049						
55	17000838	996530069839	BLACK DRIP TRAY COVER NPR/T	MILK CARAFE					
56	17002042	996530073603	BLACK DRIP TRAY LOCKING INSERT HGO/T	MILK CARAFE					
57	U207.004	996530062034	PLAIN WASHER 4,3X16 UNI 6592 GAL	MILK CARAFE					
58	12000450	996530007819	SCREW TCBR TORX 10 3,5X12 PLAST.ZN-N						
59	11000759	996530000487	HOT WATER TUBE SPRING P124	MILK CARAFE					
60	-	421944004711	RED/BLK FLOAT FOR DRIP TRAY HGO						
61	17001203	996530073612	SB/SS GRATE FOR DRIP TRAY HGO/H-P						
	17002057	996530073535	SB/SS GRATE FOR DRIP TRAY HGO/T	MILK CARAFE					
62	17001159	996530073541	MATT/BLACK DRIP TRAY HGO/H-P						
	17002050	996530073548	MATT/BLACK DRIP TRAY HGO/T ASSY.	MILK CARAFE					
63	13001689	996530073611	DISPL.BOX HGO/H SAE HIGO CAPPUCCINAT.WE						
64	-	421940812931	KIT PS-E INSERT FOR BOX HGO						
65	11028379	996530070318	PSA KLUBER TRIBOSTAR SIL 2 TUBE 5GR.						
66	12001728	996530070321	SCREW TCBR TORX 10 3,5X12 PLAST.SS						
67	-	421944011422	BLK ADDITION.BEAN CONTAINER V3 HGO ASSY.						
68	17001110	996530068723	BLACK DRIP TRAY GUIDE NPR						
69		421940436761	MANUAL SAE HD8768 HGO/H GB						
		421940436981	MANUAL SAE HD8768 HGO/H CHN						
		421940437021	MANUAL SAE HD8768 HGO/H BRA						

MILK FROTHER - CLASSIC M.F. INTERFACE



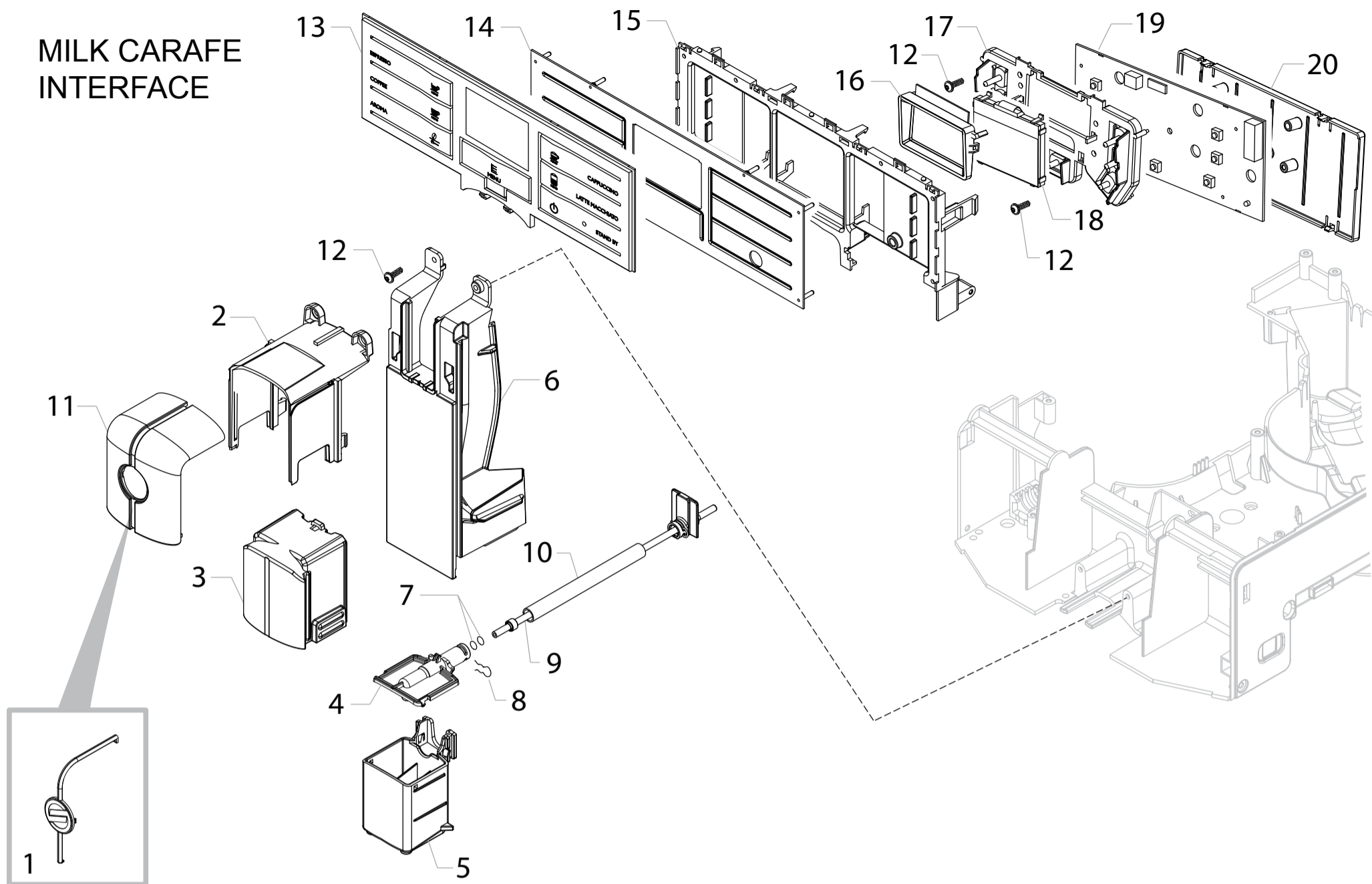
HD8766/01-09 HD8767/01- HD8768/01-03-05
 HD8768/08-09-43 - HD8769/01-11
 HD8769/08-09-19 - HD8778/11



Cod. 10004394-4429-4395-4440-882876609010-6805710
 Cod. 882876808150-6809010-6843240-10004396-4441
 Cod. 882876908150-6909010-6919010-7811010

POS	CODE	12NC	DESCRIPTION	NOTE	POS	CODE	12NC	DESCRIPTION	NOTE
1	-	421941300791	BLK COF.DISPEN.INS.W/LOGO SAE S/SCR.HGO						
2	17001445	996530073586	MATT/BLACK COFFEE DISPENSER LID HGO						
3	17001456	996530073561	MATT/BLK COFFEE DISPENS.MOBILE PART HGO						
4	17001453	996530073558	BLACK COFFEE DISPENSER BODY LID HGO						
5	17001448	996530073589	BLACK COFFEE DISPENSER BODY HGO						
6	17001258	996530073596	MATT/BLACK FRONT CASING COVER HGO						
7	140328059	996530013564	OR 2015 SILICONE PTFE/FDA						
8	9011.144	996530048885	SS FORK FOR TUBE D=4						
9	11031203	996530073357	TEFL.TUBE 2X4 L=235+PLATE+2BUSH NPR ASSY						
10	149361200	996530018278	BLACK SILICONE TUBE 7,5X9,3	IN ROLL					
11	11031324	996530073536	SILVER COF.DISPENSER FRONT PLATE HGO						
12	12000450	996530007819	SCREW TCBR TORX 10 3,5X12 PLAST.ZN-N						
13	17001468	996530073567	MATT/BLACK FRONT PANEL CAP HGO/H-P						
	-	421941300111	ANT.FRON.PANEL CAP HGO/H-P						
14	11031352	996530073608	BLK 6BUTTONS TOUCH PANEL S/SCR.HGO/H	MILK FROTHER					
	-	421941300781	BLK 6BUTTONS TOUCH PANEL S/SCR.HGO/P	CLASSIC M.F.					
15	17001878	996530073592	BLACK TOUCH PANEL SEAL HGO						
16	17002015	996530073531	BLK SUPP.FOR ASSY KYB BOARD SUPP.HGO/H-P						
17	17001579	996530073604	MATT/BLACK DISPLAY FRAME HGO						
18	-	421941285832	BLK DISPLAY SUPPORT V2 HGO						
19	-	421941300941	DISPLAY LCD 128X64 SMR						
20	-	421941300551	KYB - INTERFACE HGO/H-T	MILK FROTHER					
	-	421941300561	KYB - INTERFACE HGO/P	CLASSIC M.F.					
21	17001577	996530073594	BLACK DISPLAY KEYBOARD SUPPORT HGO						

MILK CARAFE
INTERFACE



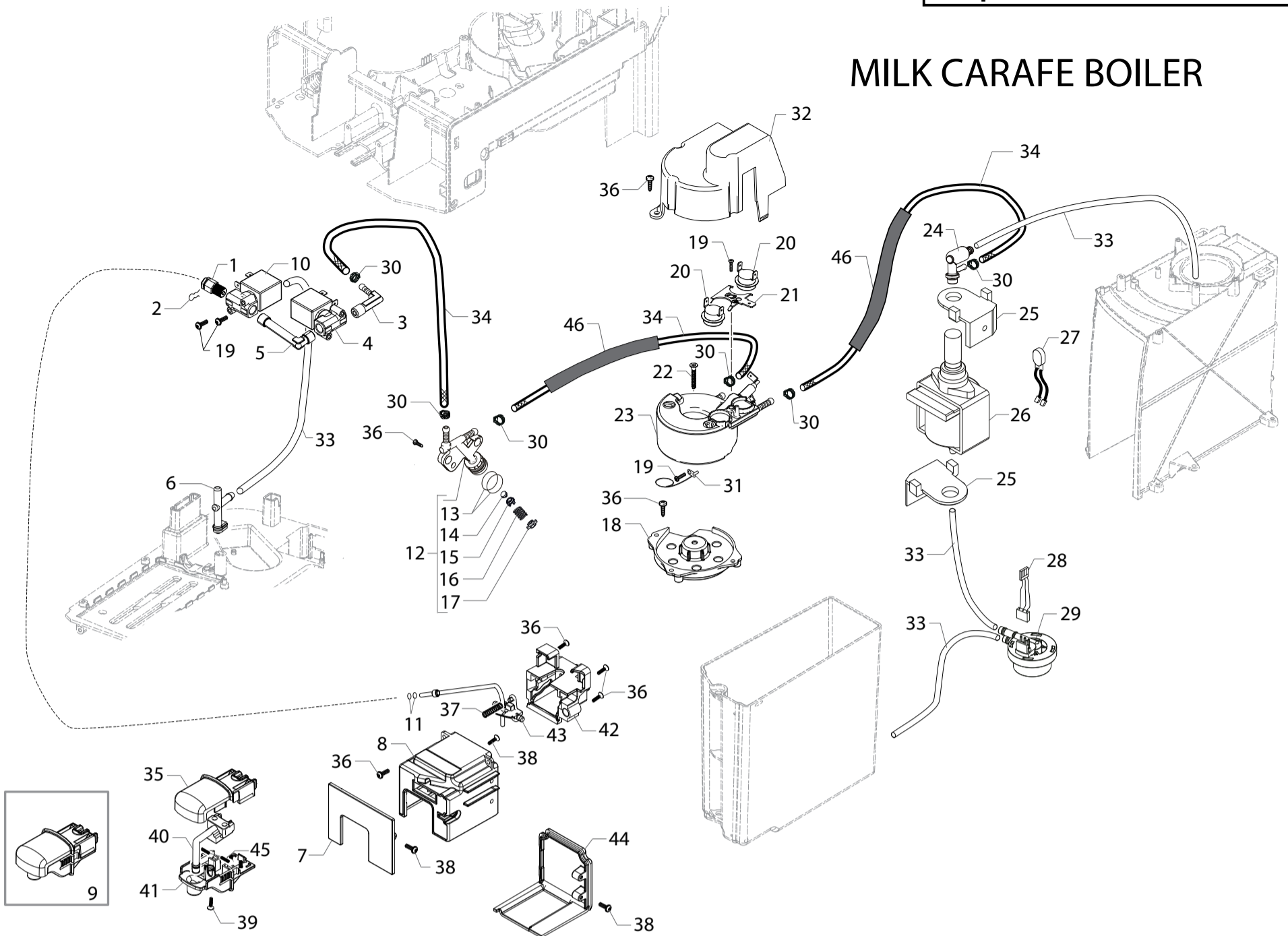
HD8766/01-09 HD8767/01- HD8768/01-03-05
HD8768/08-09-43 - HD8769/01-11
HD8769/08-09-19 - HD8778/11



Cod. 10004394-4429-4395-4440-882876609010-6805710
Cod. 882876808150-6809010-6843240-10004396-4441
Cod. 882876908150-6909010-6919010-7811010

POS	CODE	12NC	DESCRIPTION	NOTE	POS	CODE	12NC	DESCRIPTION	NOTE
1	-	421941300371	CHRO.COF.DISPEN.INS.W/LOGO SAE S/SCR.HGO						
2	17001445	996530073586	MATT/BLACK COFFEE DISPENSER LID HGO						
3	17001456	996530073561	MATT/BLK COFFEE DISPENS.MOBILE PART HGO						
4	17001453	996530073558	BLACK COFFEE DISPENSER BODY LID HGO						
5	17001448	996530073589	BLACK COFFEE DISPENSER BODY HGO						
6	17001258	996530073596	MATT/BLACK FRONT CASING COVER HGO						
			MILK CARAFE BLK						
	11031699	996530073553	ANTHR.FRONT CASING COVER HGO						
			MILK CARAFE SIL						
		421944015591	G/ANT.FRON.CASING COVER HGO						
			MILK CARAFE QVC SIL						
7	140328059	996530013564	OR 2015 SILICONE PTFE/FDA						
8	9011.144	996530048885	SS FORK FOR TUBE D=4						
9	11031203	996530073357	TEFL.TUBE 2X4 L=235+PLATE+2BUSH NPR ASSY						
10	149361200	996530018278	BLACK SILICONE TUBE 7,5X9,3	IN ROLL					
11	11031324	996530073536	SILVER COF.DISPENSER FRONT PLATE HGO						
12	12000450	996530007819	SCREW TCBR TORX 10 3,5X12 PLAST.ZN-N						
13	11031358	996530073569	BLK 7BUTTONS TOUCH PANEL S/SCR.HGO/T						
14	17001878	996530073592	BLACK TOUCH PANEL SEAL HGO						
15	17002112	996530073584	BLK SUPP.FOR ASSY KYB BOARD SUPP.HGO/T						
16	17001579	996530073604	MATT/BLACK DISPLAY FRAME HGO						
17		421941285832	BLK DISPLAY SUPPORT V2 HGO						
18	-	421941300941	DISPLAY LCD 128X64 SMR						
19	-	421941300551	KYB - INTERFACE HGO/H-T						
20	17001577	996530073594	BLACK DISPLAY KEYBOARD SUPPORT HGO						

MILK CARAFE BOILER



HD8766/01-09 HD8767/01- HD8768/01-03-05
 HD8768/08-09-43 - HD8769/01-11
 HD8769/08-09-19 - HD8778/11

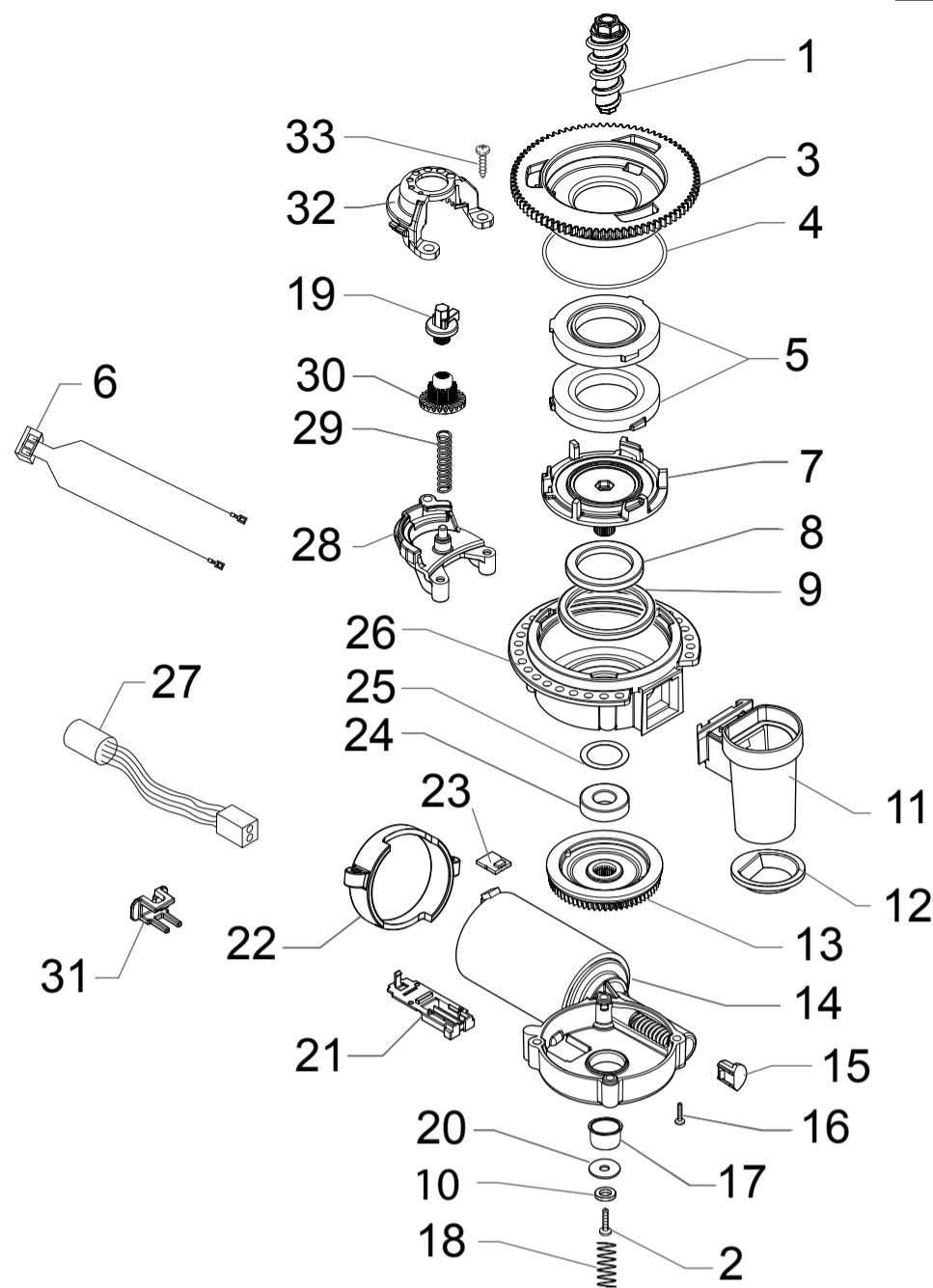


Cod. 10004394-4429-4395-4440-882876609010-6805710
 Cod. 882876808150-6809010-6843240-10004396-4441
 Cod. 882876908150-6909010-6919010-7811010

POS	CODE	12NC	DESCRIPTION	NOTE
01	11027572	996530072695	L-F/BRASS CONNECTOR 1/8" FOR TUBE D=4	
02	9011.144	996530048885	SS FORK FOR TUBE D=4	
03	17001269	996530070397	L-F/BRASS 90°CONNECT.FOR FAUCET EV.NPR/T	
04	11024038	996530067667	BRASS 2WAY EV 21JN1RRV20-XT+LBV05024CU	
05	11031400	996530073514	L-F/BRASS 90°CONNECTOR V2 FOR FAUCET EV.	
06	17000980	996530067657	BLACK WATER DRAINAGE CONNECTOR XSMC	
07	17001473	996530073581	MATTBLK CARAFE INS.BODY FRON.COVER HGO/T	
			MILK CARAFE BLK	
	11031711	996530073537	ANTHR.CARAFE INS.BODY FRON.COVER HGO/T	
			MILK CARAFE SIL	
		421944015631	G/ANT.CARAFE INS.BODY FRON.COVER HGO/T	
			MILK CARAFE QVC SIL	
08	17002027	996530073566	BLACK CARAFE INSERT BODY HGO/T	
09	11031518	996530073572	MATT/BLK HOT WATER DISPENSER HGO/T ASSY.	
10	11024039	996530067613	3WAY EV OT57 (31JN1XR20-SXT+LBV05024CU)	
11	140328059	996530013564	OR 2015 SILICONE PTFE/FDA	
12	17000114	996530068077	FLOW SELECTOR FAUCET NPR	
13	12000893	996530007948	OR ORM 0120-20 BLACK EPDM	
14	11008104	996530004722	MUSHROOM VALVE FOR FLOW SELECTOR P0057	
15	11008105	996530004723	FLOW SELECTOR VALVE SUPPORT P0057	
16	11008077	996530004709	STEEL FLOW SELECTOR VALVE SPRING P0057	
17	11008106	996530004724	FLOW SELECTOR VALVE CAP P0057	
18	11022791	996530007442	BLACK SLIM/EXSL TUB.BOILER SUPPORT	
19	129573202	996530012921	SCREW TCB TORX 20 M4X8 AUTOFORMING ZN-B	
20	12001033	996530007973	THERMOSTAT ONE SHOT 190°	
21	11001751	996530000997	TUB.BOILER V3 UPPER THERM.FIXING SPRING	
22	12001280	996530008024	SCREW TSP TORX 10 5X20 PLAST.ZN-B	
23	17000346	996530068751	HP/SLIM TUB.BOILER ASSY.	230V-1900W
24	11004689	996530002484	TEA/BRASS SAFETY VALVE 16-18 BAR ASSY.	
25	149205850	996530018056	BLACK TYPE ULKA PUMP W/BEVEL SUPPORT	
26	12000140	996530007753	ULKA PUMP EP5/S GW	230V-50HZ
27	-	421946000131	2POLES CONNECTOR PUMP V2 CLP UL	
28	-	421946000141	3POLES CONNECTOR FLOWMETER V2 CLP UL	
29	NV99.099	996530059843	TURBINE D=1,2 932-8521/00 ASSY.	
30	12000892	996530007947	OETIKER CLAMP D=9,5 16700004	
31	190800100	996530026997	TEMPERATURE SENSOR NTC UL L=280MM	
32	17001440	996530068747	BLK BOILER INSULATING COVER NPR	

POS	CODE	12NC	DESCRIPTION	NOTE
33	JS01.022	996530057357	SILICONE TUBE 5X10 60SH	IN ROLL
34	16000380	996530009505	5X8,9 SILICONE TUBE	IN ROLL
35	17002058	996530073582	MATBLK UPPER BODY HOT WATER DISPEN.HGO/T	
36	12000450	996530007819	SCREW TCB TORX 10 3,5X12 PLAST.ZN-N	
37	17000006	996530009559	TWO WAY TEFLON TUBES SUPPORT SPRING MYB9	
38	12001728	996530070321	SCREW TCB TORX 10 3,5X12 PLAST.SS	
39	129913902	996530013164	SCREW TCB TORX 10 3X12 PLAST.ZN-B	
40	17001215	996530069842	BLACK HOT WATER DISPENSER TUBE NPR/T	
41	17002061	996530073557	M/BLK LOWER BODY HOT WATER DISPEN.HGO/T	
42	17002025	996530073538	BLACK CARAFE GRAFT BODY INSERT HGO/T	
43	11027510	996530069851	WHT PREFORM.TEFLON TUBE SUPP.NPR ASSY.	
44	17002026	996530073545	BLK CARAFE INSERT BODY REAR COVER HGO/T	
45	11005395	996530002873	STEEL MILK CONTAINER SUPPORT SPRING P124	
46	16000540	996530009523	TRANSPAR.11X12,8 SILICONE TUBE	IN ROLL
	11026286	996530068717	HP/SLIM TUB.BOILER STD 1900W 230V ASSY. WITH PART.N°19 - 20 - 21 - 23 - 31	COMPLETE





HD8766/01-09 HD8767/01- HD8768/01-03-05
 HD8768/08-09-43 - HD8769/01-11
 HD8769/08-09-19 - HD8778/11



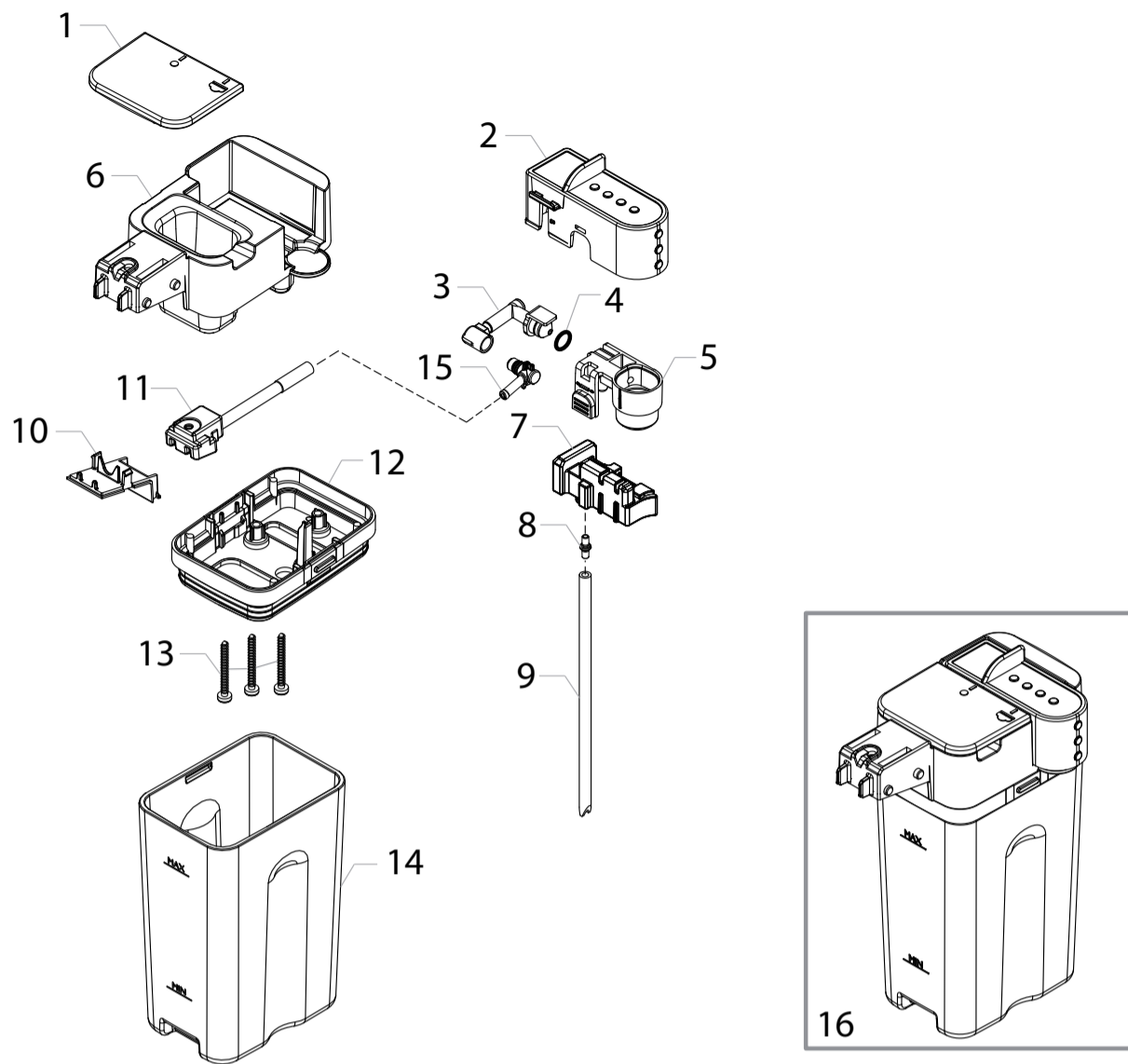
Cod. 10004394-4429-4395-4440-882876609010-6805710
 Cod. 882876808150-6809010-6843240-10004396-4441
 Cod. 882876908150-6909010-6919010-7811010

POS	CODE	12NC	DESCRIPTION	NOTE	POS	CODE	12NC	DESCRIPTION	NOTE
01	-	421944011371	TEAZAMA GRIND.INCREASE SCREW V2 HGO ASS						
02	129574802	996530012928	SCREW TCB TORX 20 M4X30 ZN-B						
03	-	421941094152	BLK COF.GRINDER UPPER GRINDER SUPPORT V2						
04	140328960	996530013577	OR ORM 0530-15 NBR FDA						
05	146520100	996530016342	BAKED CLAY GRINDER 48X28						
06		421946000121	2P.CONN.COF.GRINDER MOTOR V2 NPR UL ASSY						
07	149198350	996530017952	BLK LOWER COFFEEGRINDER GRINDER SUPPORT						
08	123030300	996530011183	AXIAL BEARING EKKO 342.35252						
09	140360500	996530013597	FELT RING 45,4X39,4X4						
10	128310402	996530012341	GALV.WASHER UNI 8842 A4						
11	11026355	996530068049	BLK GROUND COFF.OUTLET CONVEYOR V4 ASSY.						
12	11030459	996530072511	GRY GROUND COFFEE CONT.LOWER SEAL SMART1						
13	226000300	996530029609	GEAR SX Z=38 FOR GRINDER MOTION ASSY.						
14	11000513	996530000317	MOTOR COFFEEGRINDER V3.1 ASSY.	230V					
15	149214800	996530018139	MC V3 MOD=1,25 WORM SCREW CENTRING CAP						
16	129661702	996530012992	SCREW TCB TORX 3,5X30 PLAST.ZN-B						
17	11002873	996530001389	INSULATOR BUSH FOR GRINDER MOTOR P124						
18	11000597	996530000376	STEEL COF.GRINDER SUPPORT SPRING P124						
19	-	421944001091	YLW BEAN COFFEE GRINDER INSERT HGO						
20	128381902	996530012375	STEEL FLAT WASHER DI=4,3 DE=14 SP=1,5						
21	149199050	996530017963	BLK SENSOR SUPPORT FOR COF.GRINDER MOTOR						
22	11000194	996530000115	BLACK COFFEEGRINDER MOTOR SUPPORT P124						
23	181540900	996530022784	ELECTR.BOARD WITH SENSOR HAL506 SF-K						
24	123030200	996530011182	RADIAL BEARING 61900.2RS1						
25	128381800	996530012374	STEEL CRINKLE WASHER 21,8X14X0,25						
26	142905450	996530015258	BLK UPPER BODY WITH COFFEE GROUND OUTLET						
27		421946000091	3P.CONN.MC SENSOR V2 NPR UL ASSY.						
28	11002613	996530001314	LOWER COFFEEGRINDER GEAR SUPPORT P124						
29	11002572	996530001308	COFFEEGRINDER REGULATION SPRING P124						
30	11003784	996530001907	COFFEE GRINDING ADJUSTMENT GEAR P0049						
31	17001921	996530072477	BLK WIRING FIX INSERT FOR GRINDER BOARD						
32	11002508	996530001296	UPPER COFFEEGRINDER GEAR SUPPORT P124						
33	129914002	996530013165	SCREW TCB TORX 10 3,5X16 PLAST.ZN-B						
	-	421941302931	GEN.MOTOR COF.GRINDER HGO ASSY.	230V					



MOLTIO

TABLE 6/9

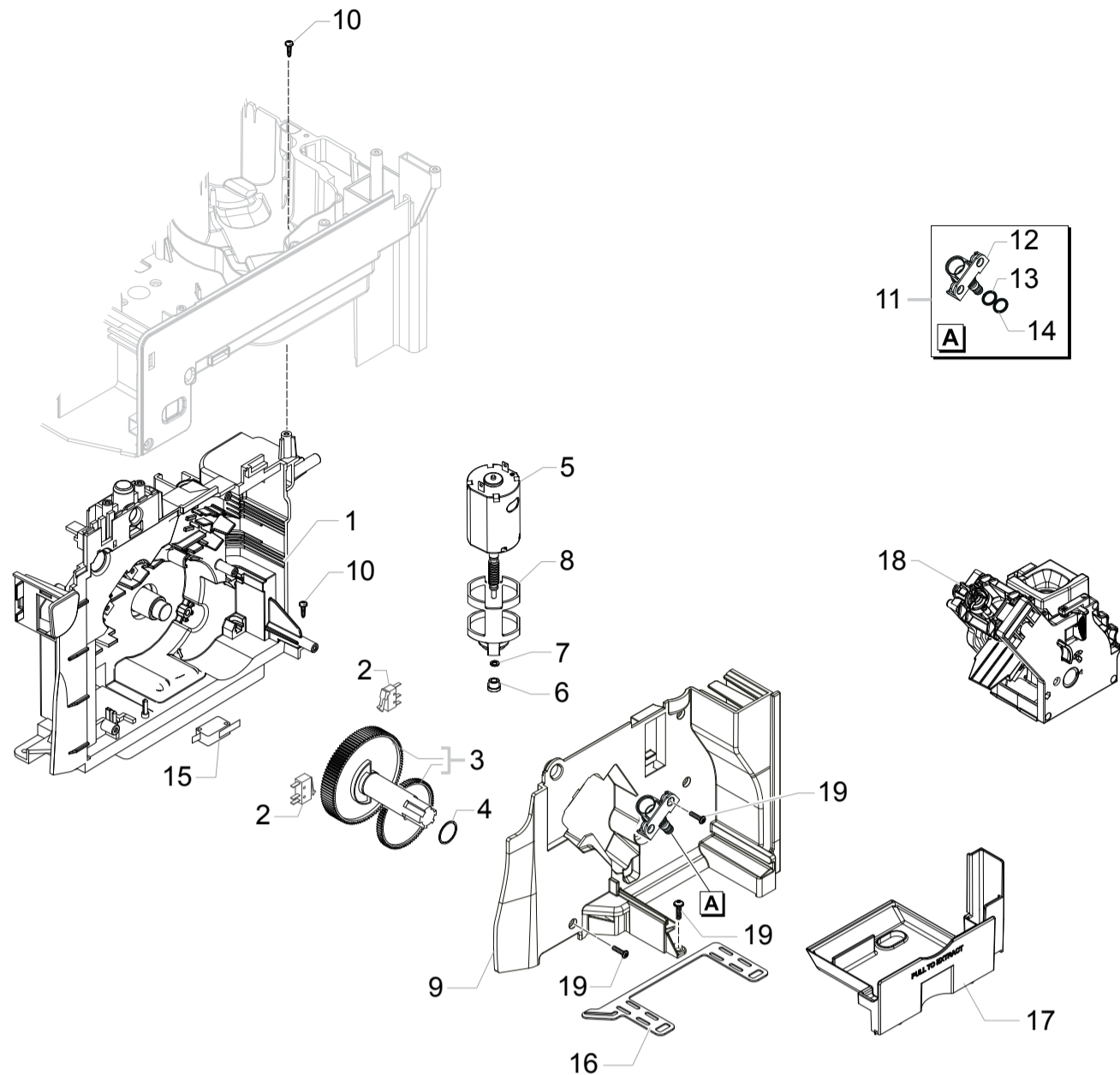


HD8766/01-09 HD8767/01- HD8768/01-03-05
 HD8768/08-09-43 - HD8769/01-11
 HD8769/08-09-19 - HD8778/11



Cod. 10004394-4429-4395-4440-882876609010-6805710
 Cod. 882876808150-6809010-6843240-10004396-4441
 Cod. 882876908150-6909010-6919010-7811010

POS	CODE	12NC	DESCRIPTION	NOTE	POS	CODE	12NC	DESCRIPTION	NOTE
01	17001963	996530073564	BLACK CARAFE COVER PLUG HGO/T						
02	17001982	996530073601	MATT/BLK CARAFE CAPPUC.COVER HGO/T						
03		421944013481	BLK CARAFE OUTP.STEAM CONN.D1,3 HGO/T ASS						
04	NM01.028	996530059392	O-RING 106 SILICONE						
05	17001985	996530073573	BLACK CARAFE CAPPUC.CASING HGO/T						
06	17001956	996530073554	BLACK UPPER COVER PART CARAFE HGO/T						
07	17002052	996530073606	BLK CARAFE MILK INLET BODY HGO/T						
08	17001362	996530068626	BLK MILK INTAKE TUBE CONNECT.INS.V2 RYL						
09	11012814	996530067584	SILICONE TUBE 3,5X6 L=140 MM						
10	-	421944001291	BLK CARAFE REAR COVER INSERT V2 NPR/T						
11	17002211	996530073579	BLACK CARAFE MILK DISPENSER TUBE SMR/T						
12	17001959	996530073552	BLACK LOWER COVER PART CARAFE HGO/T						
13	129914002	996530013165	SCREW TCB TORX 10 3,5X16 PLAST.ZN-B						
14	17001955	996530073613	TRANSP.CARAFE HGO/T						
15	-	421944005531	BLK CARAFE STEAM INPUT CONN.HGO/T ASSY.						
16	11031503	996530073575	TRANSP/BLK GEN.CARAFE HGO/T ASSY.						

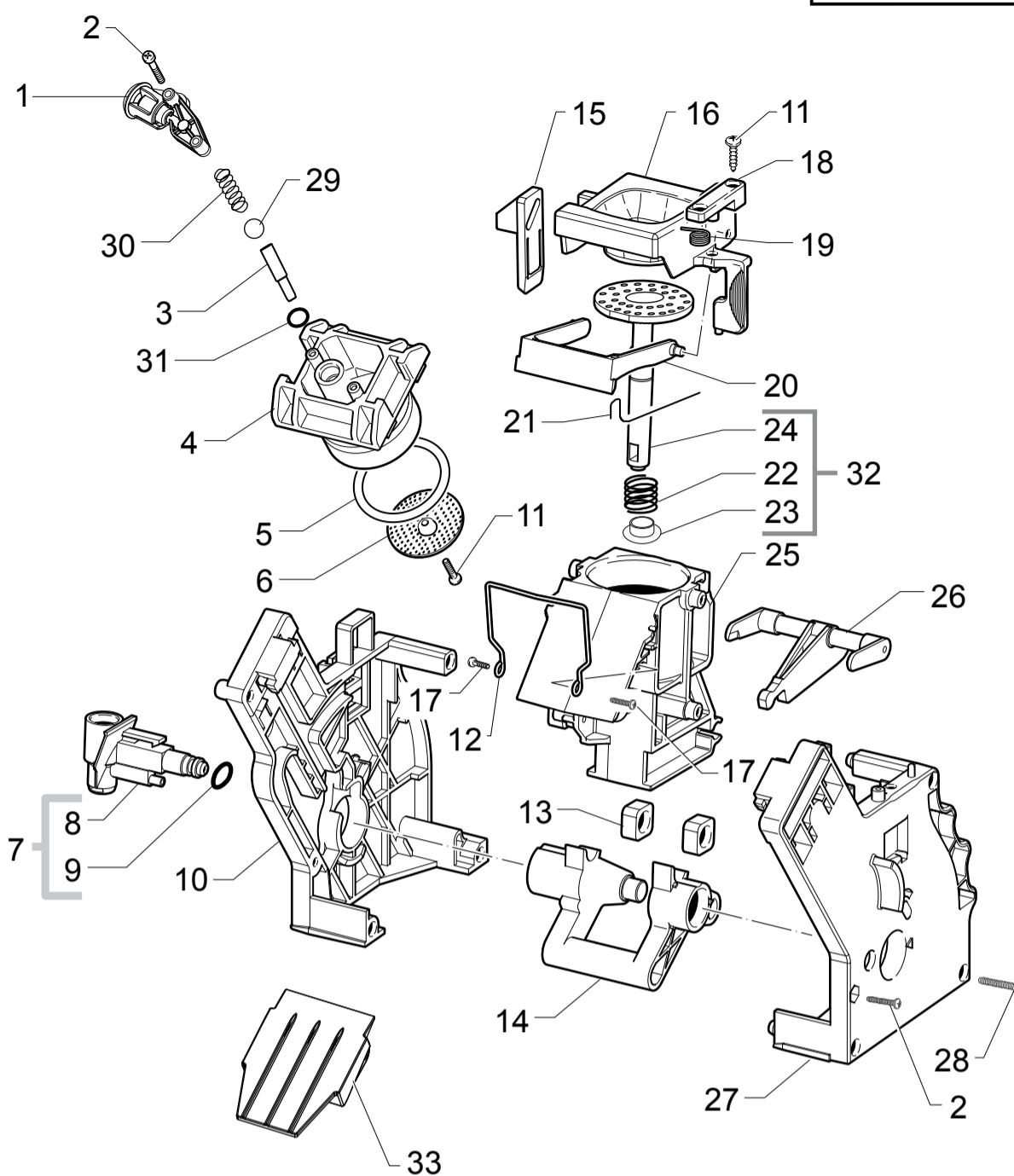


HD8766/01-09 HD8767/01- HD8768/01-03-05
 HD8768/08-09-43 - HD8769/01-11
 HD8769/08-09-19 - HD8778/11



Cod. 10004394-4429-4395-4440-882876609010-6805710
 Cod. 882876808150-6809010-6843240-10004396-4441
 Cod. 882876908150-6909010-6919010-7811010

POS	CODE	12NC	DESCRIPTION	NOTE	POS	CODE	12NC	DESCRIPTION	NOTE
01	17000366	996530066736	BLK RATIOMOTOR MOUNTING PLATE XSMC ASSY.						
02	12001841	996530073474	MICROSWITCH XC/V4D						
03	20000900	996530009913	SPARES KIT GEARS FOR RATIOMOTOR V2						
04	9161.132	996530050569	MYLAR WASHER FOR RATIOMOTOR						
05	11005214	996530002796	MOTOR FOR RATIOMOTOR P124 ASSY.						
06	9121.046	996530049898	BRONZE SINTERED BUSH FOR MOTOR RATIOMOT.						
07	148380200	996530017424	BAKELIZZATE WASHER D=5,5						
08	9121.044	996530049896	ANTIVIBRATION FOR MOTOR						
09	11003754	996530001899	BLK RATIOMOT.MOUNTING PLATE COVER P0057						
10	12000450	996530007819	SCREW TCBR TORX 10 3,5X12 PLAST.ZN-N						
11	11013531	996530006805	PIN FOR FLOW SELECTOR FAUCET P0057 ASSY.						
12	11013530	996530006804	PIN FOR FLOW SELECTOR FAUCET V2 P0057						
13	NM01.035	996530059399	OR ORM 0090-20 SILICONE						
14	NM01.057	996530059419	OR ORM 0050-20 IN SILICONE						
15	12001890	996530073209	MICROSWITCH XG/V3D						
16	17000685	996530072515	BLACK SEAL FOR RATIOMOTOR PLATE NPR						
17	17001336	996530068732	GREY BREW UNIT DRAWER COFFEE NPR						
18	11031554	996530073362	BLACK BREW UNIT 8GR.5BAR HGO						
19	12001728	996530070321	SCREW TCBR TORX 10 3,5X12 PLAST.SS						



HD8766/01-09 HD8767/01- HD8768/01-03-05
 HD8768/08-09-43 - HD8769/01-11
 HD8769/08-09-19 - HD8778/11



Cod. 10004394-4429-4395-4440-882876609010-6805710
 Cod. 882876808150-6809010-6843240-10004396-4441
 Cod. 882876908150-6909010-6919010-7811010

POS	CODE	12NC	DESCRIPTION	NOTE	POS	CODE	12NC	DESCRIPTION	NOTE
01	11009362	996530005415	BLK COF.OUTLET SLEEVE BREW UNIT S0053 AS						
02	12000550	996530007838	SCREW TCB TORX 10 3X25 PLAST.SS						
03	11009276	996530005372	BLK COUNTER PISTON TUBE BREW UNIT S0053						
04	11001840	996530001046	BLACK COUNTER PISTON BREW UNIT 8GR.P124						
05	NM01.044	996530059406	OR ORM 0320-40 SILICONE PTFE/FDA						
06	9161.268	996530050709	PERCOLATOR DE=35,8 ELFO						
07	20000440	996530009825	BLACK WATER INLET SLEEVE BREW UNIT ASSY.						
08	9161.064.050	996530050488	BLACK WATER INLET SLEEVE BREW UNIT ROYAL						
09	NM02.007	996530059441	OR 2025 IN TERMOIL						
10	9161.375.050	996530050832	BLACK BREW UNIT REAR PLATE SMART						
11	12000895	996530007951	SCREW TSP TORX 10 3X10 PLAST.SS						
12	11001556	996530000898	SS BREW UNIT SPRING H=49 SMART						
13	9161.094.050	996530050539	BLACK BREW UNIT DRILLED BLOCK						
14	9161.066.050	996530050492	BLACK BREW UNIT ELBOW SHAFT M5000						
15	9161.373.050	996530050827	BLACK BREW UNIT COUPLING PLATE SMART						
16	149261350	996530018241	BLACK HOPPER DOSER BREW UNIT SMART1						
17	129912521	996530013148	SCREW TCB TORX 10 3,5X14 PLAST.SS						
18	9161.374.050	996530050829	BLK BREW UNIT HOPPER BLOCKING PLATE SMART						
19	9161.378	996530050838	SS HOPPER SPRING FOR BREW UNIT SMART						
20	11004161	996530002096	BLACK SCRAPER FOR BREW UNIT M5000						
21	9161.046	996530050455	SS SCRAPER SPRING FOR BREW UNIT						
22	9161.198	996530050627	SS.8GR.BREW UNIT PISTON SPRING						
23	9161.191	996530050618	WHITE 8GR.-12GR.BREW UNIT PISTON BUSH						
24	11003077	996530001451	BLK BREW UNIT INTEGRAL PISTON 8GR.ASSY.						
25	11003075	996530001448	BLACK COFFEE CONTAINER BREW UNIT P124						
26	11003078	996530001452	BLACK CONNECTING ROD BREW UNIT 8GR.						
27	11005920	996530003228	BLACK BREW UNIT FRONT PLATE S/SCR.SMART						
28	12000897	996530007953	SCREW TCB TORX 10 3,5X20 PLAST.SS						
29	9991.168	996530051874	GLASS SPHERE D.5 MM						
30	11012095	996530006305	SS COFFEE UNIT CONTERPISTON SPRING S0053						
31	140328761	996530013575	OR ORM 0060-15 TERMOIL						
32	11023086	996530007577	BLK 8GR.BREW UNIT NTEGR.PISTON GEN.ASSY.						
33	17000663	996530073322	BLACK BREW UNIT CONVEYOR SLIDE L=76,8						
	11031554	996530073362	BLACK BREW UNIT 8GR.5BAR HGO						