

HD8766/01-04-09 HD8767/01- HD8768/01-03
 HD8768/05-08-09-43 - HD8769/01-11
 HD8769/08-09-19 - HD8777/11 - HD8778/11

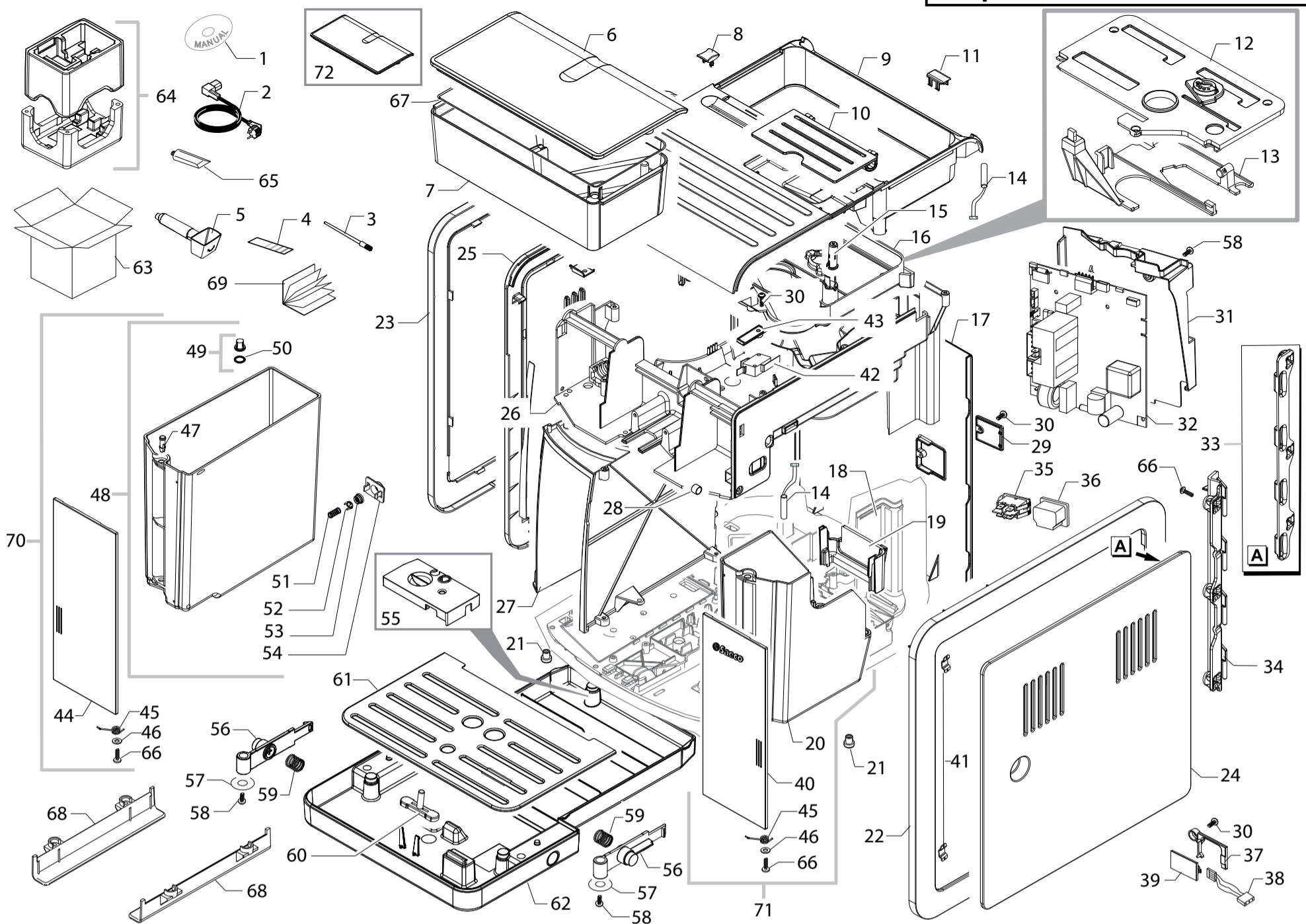


Cod. 10004394-882876604470-609010-10004429-4395-4440
 Cod. 882876805710-808150-809010-843240-10004396-4441
 Cod. 882876908150-909010-882876919010-7711010-7811010

POS	CODE	12NC	DESCRIPTION	NOTE
01	-	NOT AVAILABLE	DOCUMENTATION CD HGO HIGO ASSY.	
02		421946001591	BLK POWER CABLE SCHUKO L=800	
	183940650	996530025872	BLK POWER CABLE AUSTRALIA L=1200	
	183970350	996530025882	BLK POWER CABLE UK L=1200	
	17800019	996530009627	BLK POWER CABLE BRAZIL L=1200	
	11004247	996530002167	BLK POWER CABLE RVV 3X1 CHINA L=1200	
	11001985	996530001089	BLK POWER CABLE KOREA L=1200	
03	127390100	996530025808	BRUSH FOR CLEANING	
04	0301.961	996530039604	STICKER FOR WATER HARDNESS TEST	
05	-	421944033301	BLK ABS COFFEE MEASURE SMART	
06	-	421944012272	TRANSP/GRY COF.CONTAINER LID V2 HGO ASSY	
07	-	421940813151	KIT SPARES BLK REMOV.COF.CONT.HGO ASSY.	
08	17002119	996530073534	MATT/BLK BEAN COFF.CONT.RELEASE KNOB HGO	
			HD8766/01-04-09 HD8767/01 HD8768/01-05-08	
			HD8768/09-43 HD8969/01-08-09	
	-	421941305511	ANT. BEAN COF.CONT.RELEASE KNOB HGO	
			HD8768/03 HD8969/11-19	
		421944017991	G/ANT.BEAN COF.CONT.RELEASE KNOB HGO	
			HD8778/11	
09	17001356	996530073602	MATT/BLACK UPPER CASING COVER HGO/H-P	
			HD8766/01-04-09 HD8767/01 HD8768/01-05-08-09-43	
	17002092	996530073547	MATT/BLACK UPPER CASING COVER HGO/T	MILK CARAFE
			HD8969/01-08-09	
		421944018742	ANT.UPPER CASING COVER V2 HGO/T ASSY.	MILK CARAFE
			HD8969/11-19	
		421944018732	ANT.UPPER CASING COVER V2 HGO/H-P ASSY.	
			HD8768/03	
		421944018752	G/ANT.UPPER CASING COVER V2 HGO/T ASSY	MILK CARAFE QVC
			HD8778/11	
10		421941288202	M/BLK GROUND CONTAINER DOOR V2 HGO	
			HD8766/01-04-09 HD8767/01 HD8768/01-05-08	
			HD8768/09-43 HD8969/01-08-09	
	-	NOT AVAILABLE	ANT.GROUND CONTAINER DOOR HGO	SEE POS. 09
			HD8768/03 HD8969/11-19	
		NOT AVAILABLE	G/ANT.GROUND CONTAINER DOOR HGO	SEE POS. 09
			HD8778/11	
11	17001380	996530069844	TRANSP.COVER INFRAREDS ACCESS NPR/T	MILK CARAFE
12		421941287983	BLK COF.CONT.RELEASE FIX PLATE V3 HGO	
13	17001888	996530073574	BLK BEAN COF.CONT.RELEASE PLATE HGO	
14	17800432	996530072785	2POLES CONNECT.SENSOR REED DOOR V2 G0053	
15		421941155132	BLK REED SENSOR SUPPORT V2 P0049	
16	17002010	996530073555	BLACK BEAN COF.CONTAINER SUPP.PLATE HGO	
17		421941288403	M/BLK REAR CASING V3 HGO	

POS	CODE	12NC	DESCRIPTION	NOTE
18		NOT AVAILABLE	BLK CASING BOTTOM V2A NPR/L	MILK FROTHER
19		NOT AVAILABLE	BLK CASING BOTTOM HGO/T	MILK CARAFE
19	17001005	996530073483	BLACK DUMP BOX INSERT NPR	
20	-	421941288343	BLK DUMP BOX V3 HGO/H-P	
			HD8766/01-04-09 HD8767/01	
			HD8768/01-03-05-08-09-43	
	-	421941288674	BLK DUMP BOX V4 HGO/T	MILK CARAFE
			HD8969/01-08-09-11-19 HD8778/11	
21	147622800	996530016875	TRANSPARENT SILICONE FOOT	
			UP TO S/N TU901419066661-TW901420291211	
			FROM S/N TU901419066662 - TW901420291212	
22		421941291932	CRC RIGHT SIDE DOOR FRAME V2 HGO	
		421941288422	M/BLK RIGHT SIDE DOOR FRAME V2 HGO	
23	11031507	996530073607	SILVER LEFT SIDE CASING FRAME HGO	
23	17002023	996530073658	M/BLK LEFT SIDE CASING FRAME HGO	
24		421941288382	M/BLK RIGHT SIDE DOOR V2 HGO	
		421944039901	ANT RIGHT SIDE DOOR HGO	HD8777/11
25		421941288413	M/BLK LEFT SIDE CASING V3 HGO	
		421944039891	ANT LEFT SIDE CASING HGO	HD8777/11
26	-	421941288362	BLK COF.GRINDER SUPP.PLATE V2 HGO/H-P	
			HD8766/01-04-09 HD8767/01 HD8768/01-03-05-08-09-43	
	-	421941288652	BLK COF.GRINDER SUPP.PLATE V2 HGO/T	MILK CARAFE
			HD8969/01-08-09-11-19 HD8778/11	
27	17001114	996530068752	BLACK CASING BOTTOM INSERT NPR	
28	9161.111	996530050555	MAGNET FOR FLOAT SUPERAUT.	
29	17001484	996530068728	MATT/BLK REAR CASING PROGRAM.INSERT NPR	
30	129913202	996530013156	SCREW TCB TORX 10 3X8 PLAST.ZN-B	
31	-	421941200872	GRY PWR/CPU BOARD PROTECTION P0057	
32	11031543	996530073546	CPU+SW HGO/H-P 230V ASSY.	
			UP TO S/N TW901437546527	
		421941306791	CPU+SW HGO/PRM/H 230V ASSY.	
			FROM S/N TW901437546528	
			HD8766 HD8767 HD8768	
	11031545	996530073565	CPU+SW HGO/T 230V ASSY.	MILK CARAFE
			UP TO S/N TU901431108275	
		421941306741	CPU+SW HGO/PRM 230V ASSY.	
			FROM S/N TU901431108276	
			HD8969 HD8778/11 HD8777/11	
33	11012714	996530006495	BLACK HINGE FOR REAR CASING XSM	
34	11012713	996530006494	BLACK HINGE FOR DOOR RIGHT SIDE XSM	
35	NE03.038	996530058836	BIPOLAR SWITCH FUSIT C1250AR	
		242212625107	SWI POW 2P 16A 250V FASTON IEC 1552 B	





HD8766/01-04-09 HD8767/01- HD8768/01-03
 HD8768/05-08-09-43 - HD8769/01-11
 HD8769/08-09-19 - HD8777/11 - HD8778/11



Cod. 10004394-882876604470-609010-10004429-4395-4440
 Cod. 882876805710-808150-809010-843240-10004396-4441
 Cod. 882876908150-909010-882876919010-7711010-7811010

POS	CODE	12NC	DESCRIPTION	NOTE
36	12001883	996530072437	CUP SOCKET V3 EN 60320 C 13	
37	17001179	996530068749	BLK CAPACIT.SENSOR LOCKING INSERT NPR	
38	-	421946000081	3P.CONN.WATER LEVEL V2 CLP UL ASSY.	
39	11003232	996530001522	AS.CPU+SW WATER LEVEL SENSOR V2	
		421941306721	CPU+SW WATER LEVEL SENSOR V3 ASSY.	
			UP TO S/N TU901431108275 TW901437546527	
			FROM S/N TU901431108276 TW901437546528	
40	-	421941300923	M/BLK DUMP BOX FRON.COVER V3 S/S.HGO/H-P	
			HD8766/01-04-09 HD8767/01 HD8768/01-05-08-09-43	
	-	421941288682	M/BLK DUMP BOX FRON.COVER V2 HGO/T	MILK CARAFE
	-	421941300092	ANT.DUMP BOX FRON.COVER V2 HGO/T	MILK CARAFE
	-	421941301003	ANT.DUMP BOX FRON.COVER V3 S/SCR.HGO/H-P	
			HD8768/03	
		421944015612	G/ANT.DUMP BOX FRON.COVER V2 HGO/T	MILK CARAFE QVC
			HD8778/11	
41	11013220	996530069857	STEEL PLATE FOR DOOR MAGNET XSM	
42	12001890	996530073209	MICROSWITCH XG/V3D	
43	17000064	996530067437	BLK CAPACIT.SENSOR DEADLOCK INSERT XSM	
44	17001399	996530073588	MATT/BLK WATER TANK FRONT COVER HGO/H-P	
			HD8766/01-04-09 HD8767/01 HD8768/01-05-08-09-43	
		421941300931	M/BLK WATER TANK FRON.COVER S/SCR.HGO/T	MILK CARAFE
			HD8969/01-08-09	
	-	421941301011	ANT.WATER TANK FRON.COVER S/SCR.HGO/T	MILK CARAFE
			HD8769/11-19	
	11031713	996530073656	ANT.WATER TANK FRON.COVER HGO/H-P	
			HD8768/03	
		421944015621	G/ANT.WATER TANK FRON.COVER S/SCR.HGO/T	MILK CARAFE QVC
			HD8778/11	
45	-	421944012991	SS OSCILLATING DOOR SPRING V3 HGO	
46	UN6592-4I	996530062212	SS.WASHER D.4 UNI6592 4,3X9	
47		421944010411	BLK WATER TANK FRON.COV.PIN HGO/H-P	
48	11031326	996530073593	NAT/GREY WATER CONTAINER HGO ASSY.	
49	224640200	996530029115	WHITE WATER CONTAINER EXT.FILTER ASSY.	WITH PART.N°50
50	140328461	996530013571	OR ORM 0190-10 EPDM	
51	11003672	996530001831	SS SPRING FOR WATER CONTAIN.VALVE P0049	
52		421941157852	GRY WATER CONTAINER VALVE INSERT P0049	
53	11003671	996530001829	TRANSP.VALVE FOR WATER CONTAINER P0049	
54	11001298	996530000733	BLACK LID FOR DUCKBILL VALVE P0049	
55	17000838	996530069839	BLACK DRIP TRAY COVER NPR/T	MILK CARAFE
56	17002042	996530073603	BLACK DRIP TRAY LOCKING INSERT HGO/T	MILK CARAFE
57	U207.004	996530062034	PLAIN WASHER 4,3X16 UNI 6592 GAL	MILK CARAFE

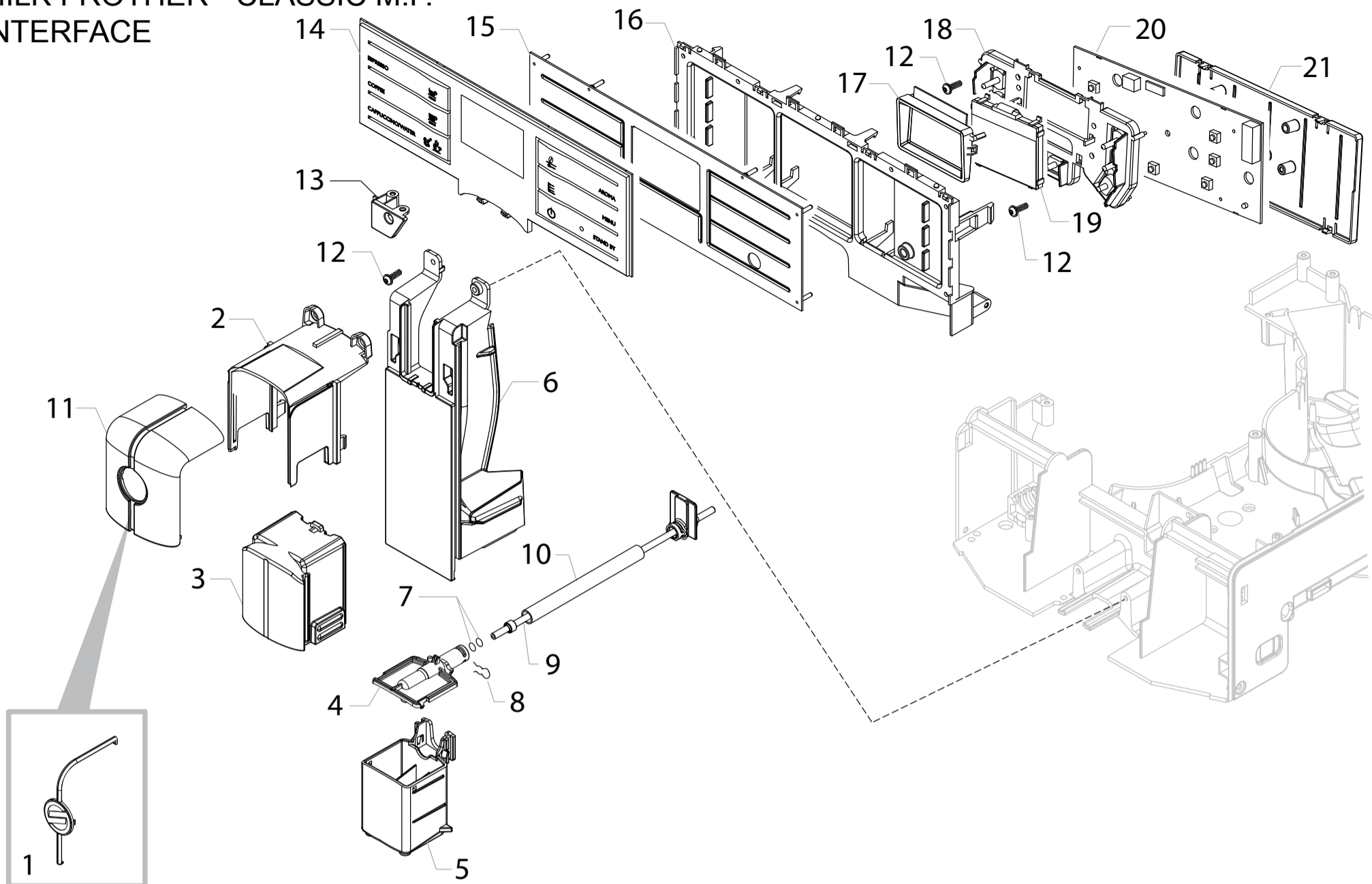
POS	CODE	12NC	DESCRIPTION	NOTE
58	12000450	996530007819	SCREW TCBR TORX 10 3,5X12 PLAST.ZN-N	
59	11000759	996530000487	HOT WATER TUBE SPRING P124	MILK CARAFE
60	-	421944004711	RED/BLK FLOAT FOR DRIP TRAY HGO	
61	17001203	996530073612	SB/SS GRATE FOR DRIP TRAY HGO/H-P	HD8766 / 67 / 68
	17002057	996530073535	SB/SS GRATE FOR DRIP TRAY HGO/T	HD8969 HD8778
		421944030441	CHR/ZAMA GRATE FOR DRIP TRAY HGO/T	HD8777/11
62		421941282812	M/BLK DRIP TRAY V2 HGO/H-P	HD8766 / 67 / 68
		421944016731	BLK DRIP TRAY V3 HGO/T ASSY.	HD8969 HD8778
		421944039801	ANT DRIP TRAY HGO/T ASSY.	HD8777/11
63		421946013011	DISPL.BOX V2 HGO SAE MOLTIO	
64	-	421940812931	KIT PS-E INSERT FOR BOX HGO	
65	-	421946017941	KLUBERLUB NH1 11-222 TUBE 5GR.	
66	12001728	996530070321	SCREW TCBR TORX 10 3,5X12 PLAST.SS	
67	-	421944029731	BLK ADDITION.BEAN CONT.COST.HGO ASSY.	
68	17001110	996530068723	BLACK DRIP TRAY GUIDE NPR	
69		421946012471	MANUAL V2 SAE HD8769 HGO/T GB	HD8969/77/78
		421946012481	MANUAL V2 SAE HD8769 HGO/T DE	HD8969/77/78
70	11031325	996530073853	M/BLK-NAT/GRY WATER GEN.CON.HGO/H-P ASSY	
			HD8766/01-04-09 HD8767/01 HD8768/01-05-08-09-43	
	11031476	996530073854	M/BLK-NAT/GRY WATER GEN.CON.S/S.HGO/T AS	
			HD8769/01-08-09	
		421941300381	ANT-NAT/GRY WATER GEN.CON.S/S.HGO/T ASSY	
			HD8769/11-19	
		421941300121	ANT-NAT/GRY WATER GEN.CON.HGO/H-P ASSY	
			HD8768/03	
		421944016411	G/ANT-NAT/GRY WATER GEN.CON.S/S.HGO/T AS	
			HD 8777/11 HD8778/11	
71		421941274694	M/BLK DUMP BOX S/SCR.V4 HGO/H-P ASSY.	
			HD8766/01-04-09 HD8767/01 HD8768/01-05-08-09-43	
		421941275014	M/BLK DUMP BOX V4 HGO/T ASSY.	
			HD8769/01-08-09	
		421941300354	ANT.DUMP BOX V4 HGO/T ASSY.	
			HD8769/11-19	
		421941300134	ANT.DUMP BOX S/SCR.V4 HGO/H-P ASSY.	
			HD8768/03	
		421944016393	G/ANT.DUMP BOX V4 HGO/T ASSY.	
			HD 8777/11 HD8778/11	
72		421944001541	M/BLK COVER HOLE TOP COVER CASING HGO	



MOLTIO

TABLE 1b/9

MILK FROTHER - CLASSIC M.F. INTERFACE



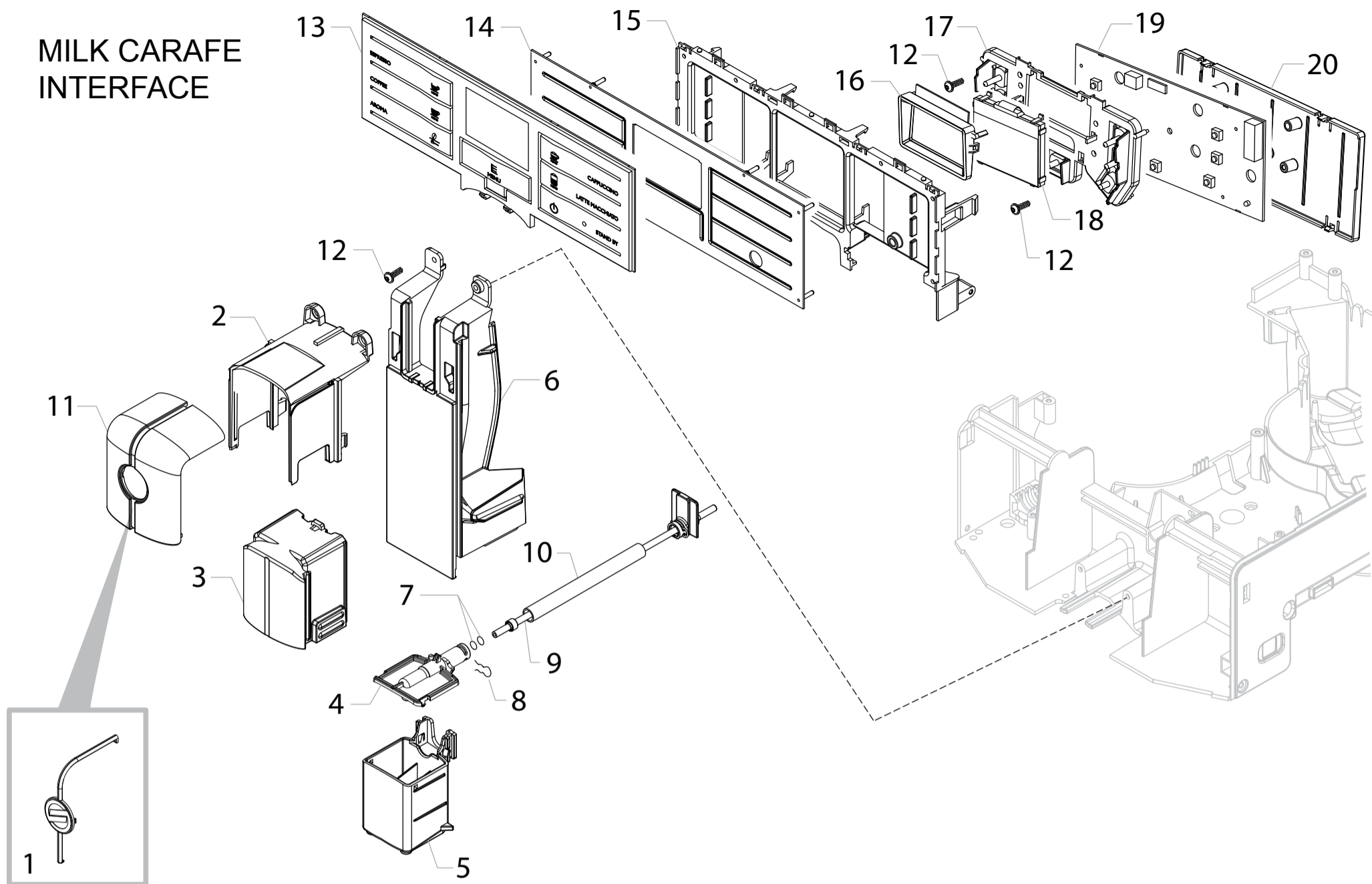
HD8766/01-04-09 HD8767/01- HD8768/01-03
 HD8768/05-08-09-43 - HD8769/01-11
 HD8769/08-09-19 - HD8777/11 - HD8778/11



Cod. 10004394-882876604470-609010-10004429-4395-4440
 Cod. 882876805710-808150-809010-843240-10004396-4441
 Cod. 882876908150-909010-882876919010-7711010-7811010

POS	CODE	12NC	DESCRIPTION	NOTE	POS	CODE	12NC	DESCRIPTION	NOTE
01	-	421941300791	BLK COF.DISPEN.INS.W/LOGO SAE S/SCR.HGO						
02	17001445	996530073586	MATT/BLACK COFFEE DISPENSER LID HGO		21	17001577	996530073594	HD8766/01-04-09 HD8767/01 BLACK DISPLAY KEYBOARD SUPPORT HGO	
03		421941284912	M/BLK COF.DISPEN.MOBILE PART V2 HGO						
04		421941284902	BLK COF.DISPEN.BODY LID V2 HGO						
05		421941307011	KIT SPARES DISPENSER BODY W/BUMPER HGO						
06		421941283572	M/BLK FRON.CASING COVER V2 HGO						
			HD8766/01-04-09 HD8767/01 HD8768/01-05-08-09-43						
		421941300032	ANT.FRON.CASING COVER V2 HGO						
			HD8768/03						
07	140328059	996530013564	OR 2015 SILICONE PTFE/FDA						
08	9011.144	996530048885	SS FORK FOR TUBE D=4						
09	11031203	996530073357	TEFL.TUBE 2X4 L=235+PLATE+2BUSH NPR ASSY						
10	149361200	996530018278	BLACK SILICONE TUBE 7,5X9,3	IN ROLL					
11	11031324	996530073536	SILVER COF.DISPENSER FRONT PLATE HGO						
12	12000450	996530007819	SCREW TCBR TORX 10 3,5X12 PLAST.ZN-N						
13	17001468	996530073567	MATT/BLACK FRONT PANEL CAP HGO/H-P						
			HD8766/01-04-09 HD8767/01 HD8768/01-05-08-09-43						
	-	421941300111	ANT.FRON.PANEL CAP HGO/H-P						
			HD8768/03						
14	11031352	996530073608	BLK 6BUTTONS TOUCH PANEL S/SCR.HGO/H	MILK FROTHER					
			UP TO S/N TW901437546527						
		421944032291	TRA/BLK 6BUT.TOUCH PANEL S/SCR.V2 HGO/H						
			FROM S/N TW901437546528						
			HD8768/01-03-05-08-09-43						
	-	421941300781	BLK 6BUTTONS TOUCH PANEL S/SCR.HGO/P	CLASSIC M.F.					
			UP TO S/N TW901437546527						
		421944032301	TRA/BLK 6BUT.TOUCH PANEL S/SCR.V2 HGO/P						
			FROM S/N TW901437546528						
			HD8766/01-04-09 HD8767/01						
15	17001878	996530073592	BLACK TOUCH PANEL SEAL HGO						
16		421941288392	BLK SUPP.FOR AS.KYB BOARD SUP.V2 HGO/H-P						
17	17001579	996530073604	MATT/BLACK DISPLAY FRAME HGO						
18	-	421944029691	BLK DISPLAY SUPPORT HGO/H-P ASSY.						
19	-	421941300941	DISPLAY LCD 128X64 SMR						
20	-	421941300551	KYB - INTERFACE HGO/H-T	MILK FROTHER					
			HD8768/01-03-05-08-09-43						
	-	421941300561	KYB - INTERFACE HGO/P	CLASSIC M.F.					

MILK CARAFE
INTERFACE



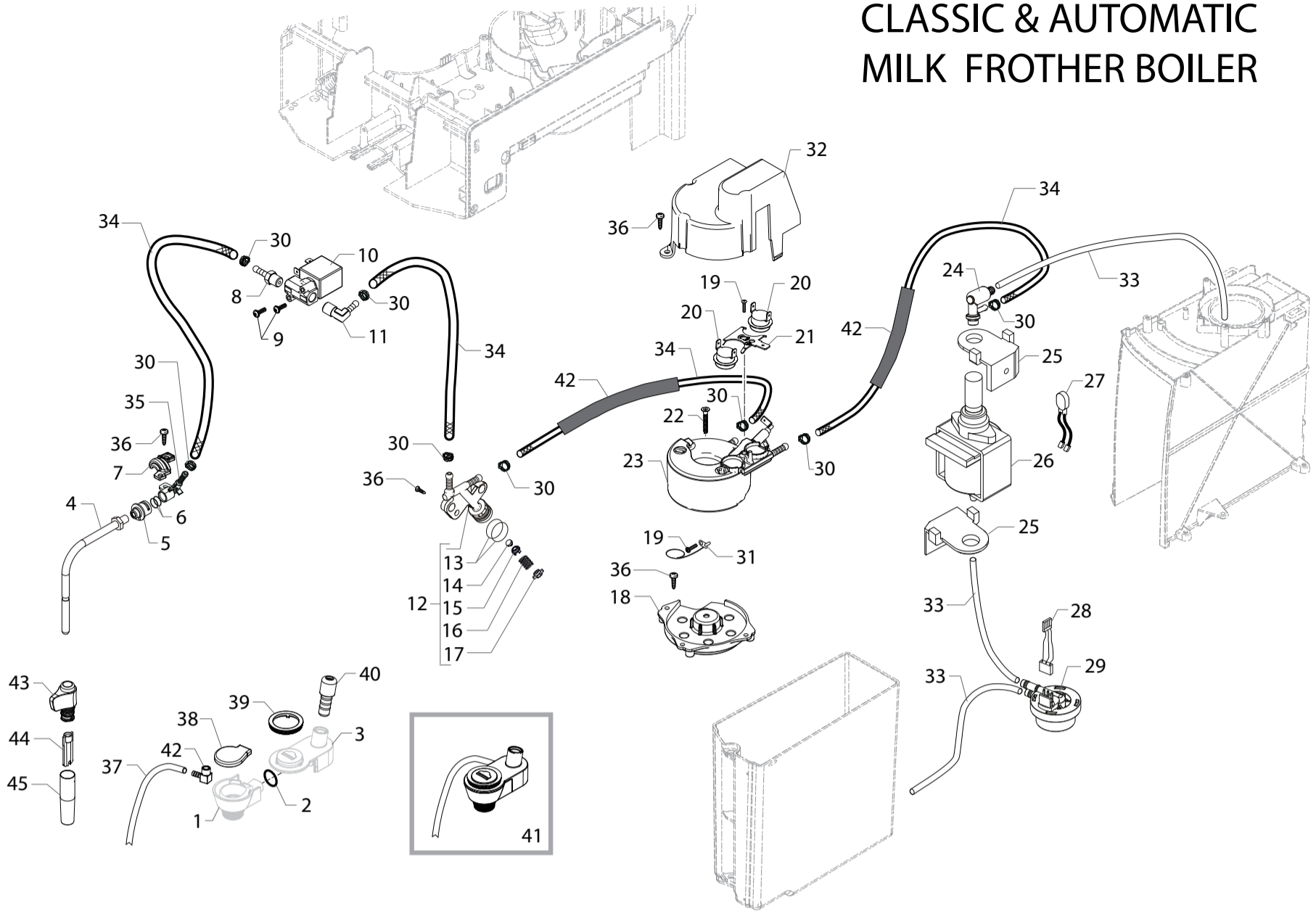
HD8766/01-04-09 HD8767/01- HD8768/01-03
HD8768/05-08-09-43 - HD8769/01-11
HD8769/08-09-19 - HD8777/11 - HD8778/11



Cod. 10004394-882876604470-609010-10004429-4395-4440
Cod. 882876805710-808150-809010-843240-10004396-4441
Cod. 882876908150-909010-882876919010-7711010-7811010

POS	CODE	12NC	DESCRIPTION	NOTE	POS	CODE	12NC	DESCRIPTION	NOTE
01	-	421941300371	CHRO.COF.DISPEN.INS.W/LOGO SAE S/SCR.HGO						
		421941300791	BLK COF.DISPEN.INS.W/LOGO SAE S/SCR.HGO	HD8777/11					
02	17001445	996530073586	MATT/BLACK COFFEE DISPENSER LID HGO						
03	-	421941284912	M/BLK COF.DISPEN.MOBILE PART V2 HGO						
04	-	421941284902	BLK COF.DISPEN.BODY LID V2 HGO						
05	-	421941307011	KIT SPARES DISPENSER BODY W/BUMPER HGO						
06	-	421941283572	M/BLK FRON.CASING COVER V2 HGO						
			HD8769/01-08-09						
		421941300032	ANT.FRON.CASING COVER V2 HGO						
			HD8769/11-19						
		421944015592	G/ANT.FRON.CASING COVER V2 HGO						
			HD8778/11 HD8777/11						
07	140328059	996530013564	OR 2015 SILICONE PTFE/FDA						
08	9011.144	996530048885	SS FORK FOR TUBE D=4						
09	11031203	996530073357	TEFL.TUBE 2X4 L=235+PLATE+2BUSH NPR ASSY						
10	149361200	996530018278	BLACK SILICONE TUBE 7,5X9,3	IN ROLL					
11	11031324	996530073536	SILVER COF.DISPENSER FRONT PLATE HGO	-					
		421944028101	CHROM.COF.DISPENSER FRON.PLATE HGO	HD8777/11					
12	12000450	996530007819	SCREW TCBR TORX 10 3,5X12 PLAST.ZN-N						
13	11031358	996530073569	BLK 7BUTTONS TOUCH PANEL S/SCR.HGO/T						
			UP TO S/N TU901431108275						
		421944032281	TRA/BLK 7BUT.TOUCH PANEL S/SCR.V2 HGO/T						
			FROM S/N TU901431108276						
14	17001878	996530073592	BLACK TOUCH PANEL SEAL HGO						
15	-	421941288723	BLK SUPP.FOR ASS.KYB BOARD SUPP.V3 HGO/T						
16	17001579	996530073604	MATT/BLACK DISPLAY FRAME HGO						
17		421944016841	BLK DISPLAY SUPPORT HGO ASSY.						
18	-	421941300941	DISPLAY LCD 128X64 SMR						
19	-	421941300551	KYB - INTERFACE HGO/H-T						
20	17001577	996530073594	BLACK DISPLAY KEYBOARD SUPPORT HGO						

CLASSIC & AUTOMATIC MILK FROTHER BOILER



HD8766/01-04-09 HD8767/01- HD8768/01-03
 HD8768/05-08-09-43 - HD8769/01-11
 HD8769/08-09-19 - HD8777/11 - HD8778/11



Cod. 10004394-882876604470-609010-10004429-4395-4440
 Cod. 882876805710-808150-809010-843240-10004396-4441
 Cod. 882876908150-909010-882876919010-7711010-7811010

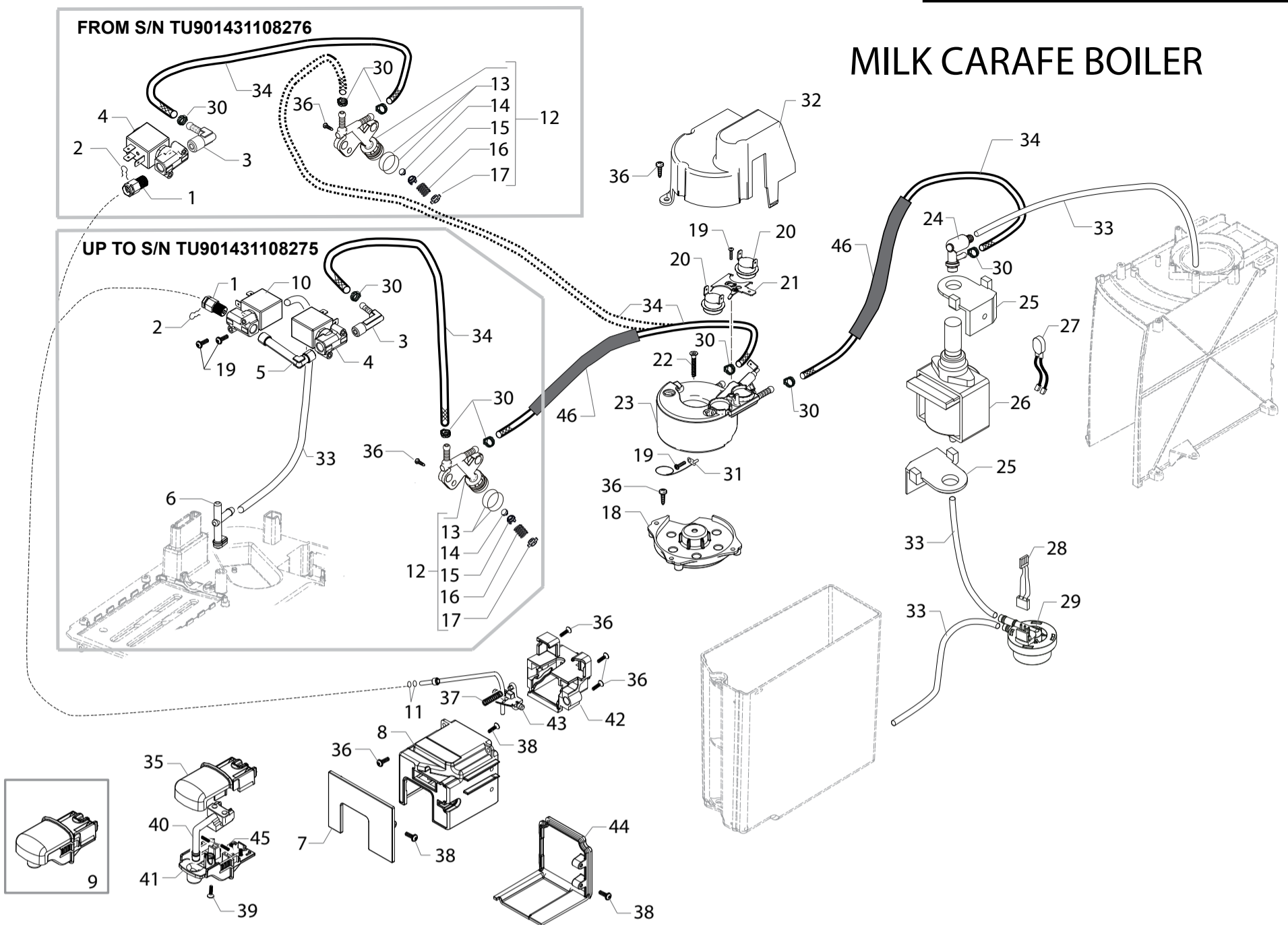
POS	CODE	12NC	DESCRIPTION	NOTE	POS	CODE	12NC	DESCRIPTION	NOTE	
01		NOT AVAILABLE	BLK CAPPUC.CASING V3 SMR/H	SEE POS. 41	37	9972.045	996530051237	SILICONE TUBE 3,5X6 L=350 MM DS		
02	NM01.028	996530059392	O-RING 106 SILICONE		38	-	421941301131	BLK CAPPUC.CASING SEAL SMR/H		
03		NOT AVAILABLE	BLK CAPPUC.CASING COVER V3 SMR/H ASSY.	SEE POS. 41	39	-	421941301121	BLK CAPPUC.CASING COVER RING SMR/H		
04	11031323	996530073543	TF/CHROM.STEAM TUBE HGO ASSY.		40	-	421941301142	BLK STEAM TUBE INSERT V2 SMR/H		
05	11011127	996530005979	BLACK PA6 BUSH FOR STEAM TUBE P0057		41	-	421944023801	BLK CAPPUC.V3 SMR/H ASSY.	ONLY CLASSIC M.F.	
06	140324461	996530013509	OR ORM 0060-20 TERMOIL		42	147922350	996530017377	BLACK CONNECTOR 90° FOR SPHERIC.CAPPUC.		
07	11013894	996530006914	BLACK FORK FOR STEAM TUBE GXSM		43	-	421941300671	BLK/SIL.STEAM TUBE HANDGRIP G0053	ONLY CLASSIC M.F.	
08	11024868	996530070371	L-F/BRASS CONNECT.FOR ALUM.BOILER		44	11001620	996530000925	BLACK PANNARELLO INNER TUBE P0049	ONLY CLASSIC M.F.	
09	129823802	996530013077	TCB SCREW M4X8 UNI 7687 ZNP		45	11001621	996530000926	SS PANNARELLO COVER P0049	ONLY CLASSIC M.F.	
10	11024038	996530067667	BRASS 2WAY EV 21JN1RRV20-XT+LBV05024CU							
11	11024469	996530067632	L-F/BRASS CONNECTOR FOR BOILER AURA				11026286	996530068717	HP/SLIM TUB.BOILER STD 1900W 230V ASSY. WITH PART.N°19 - 20 - 21 - 23 - 31	COMPLETE
12	17000114	996530068077	FLOW SELECTOR FAUCET NPR							
13	12000893	996530007948	OR ORM 0120-20 BLACK EPDM							
14	11008104	996530004722	MUSHROOM VALVE FOR FLOW SELECTOR P0057							
15	11008105	996530004723	FLOW SELECTOR VALVE SUPPORT P0057							
16	11008077	996530004709	STEEL FLOW SELECTOR VALVE SPRING P0057							
17	11008106	996530004724	FLOW SELECTOR VALVE CAP P0057							
18	11022791	996530007442	BLACK SLIM/EXSL TUB.BOILER SUPPORT							
19	12001715	996530069758	SCREW TCB TORX 20 M4X8 AUTOFORMING ZN-B							
20	12001033	996530007973	THERMOSTAT ONE SHOT 190°							
21	11001751	996530000997	TUB.BOILER V3 UPPER THERM.FIXING SPRING							
22	12001280	996530008024	SCREW TSP TORX 10 5X20 PLAST.ZN-B							
23	17000346	996530068751	HP/SLIM TUB.BOILER ASSY.	230V-1900W						
24	11004689	996530002484	TEA/BRASS SAFETY VALVE 16-18 BAR ASSY.							
25	149205850	996530018056	BLACK TYPE ULKA PUMP W/BEVEL SUPPORT							
26	12000140	996530007753	ULKA PUMP EP5/S GW	230V-50HZ						
		12000182	996530007782	ULKA PUMP EP5/S GW 220V-60HZ	220V-60HZ					
27	-	421946000131	2POLES CONNECTOR PUMP V2 CLP UL							
28	-	421946000141	3POLES CONNECTOR FLOWMETER V2 CLP UL							
29	NV99.099	996530059843	TURBINE D=1,2 932-8521/00 ASSY.							
30	12000892	996530007947	OETIKER CLAMP D=9,5 16700004							
31	190800100	996530026997	TEMPERATURE SENSOR NTC UL L=280MM							
32		421941284802	GRY BOILER INSULATING COVER NPR							
33	JS01.022	996530057357	SILICONE TUBE 5X10 60SH	IN ROLL						
34	16000380	996530009505	5X8,9 SILICONE TUBE	IN ROLL						
35	11005757	996530003103	STEAM TUBE SUPPORT P0057							
36	12000450	996530007819	SCREW TCB TORX 10 3,5X12 PLAST.ZN-N							



MOLTIO

TABLE 4/9

MILK CARAFE BOILER



HD8766/01-04-09 HD8767/01- HD8768/01-03
 HD8768/05-08-09-43 - HD8769/01-11
 HD8769/08-09-19 - HD8777/11 - HD8778/11



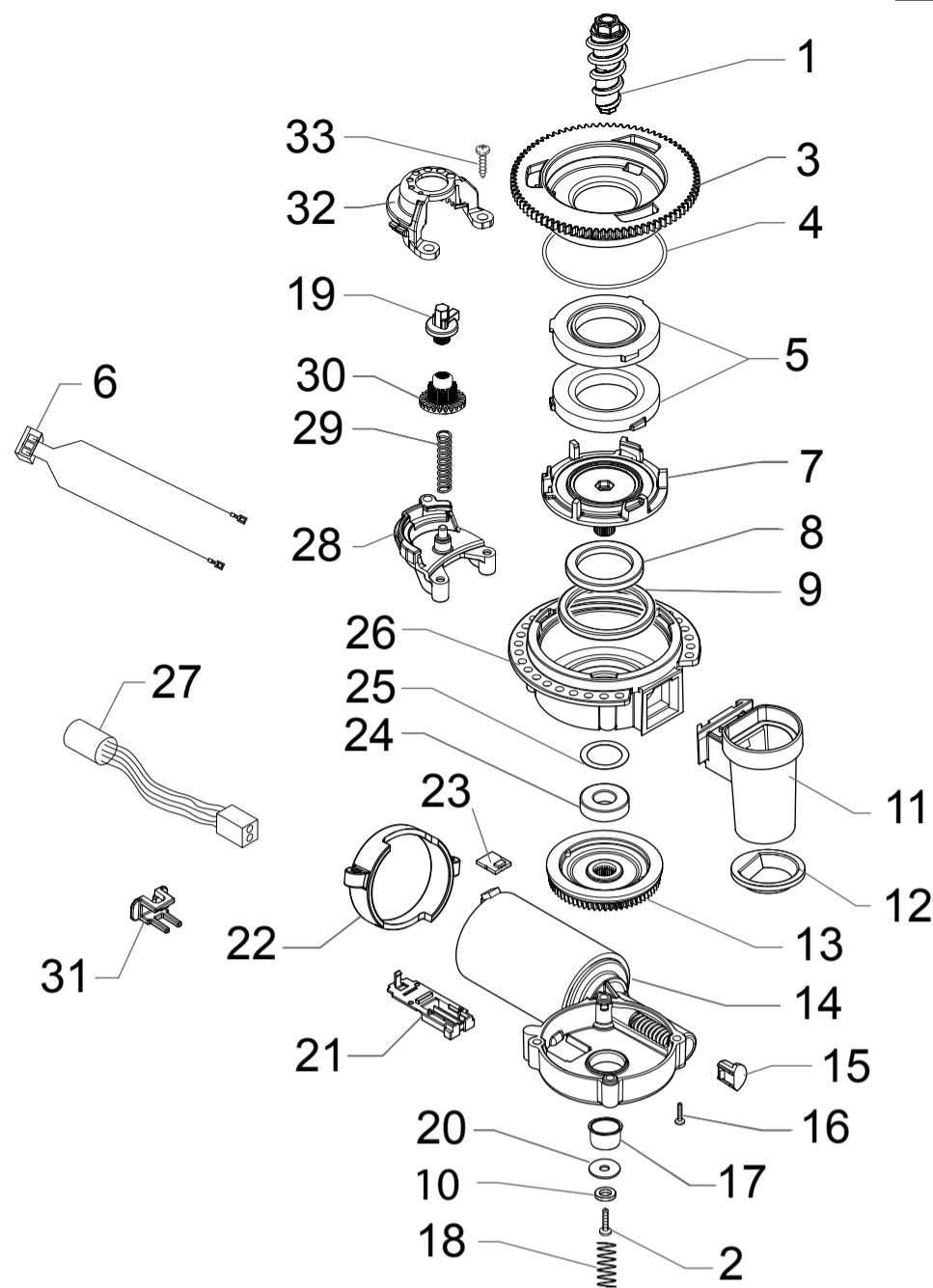
Cod. 10004394-882876604470-609010-10004429-4395-4440
 Cod. 882876805710-808150-809010-843240-10004396-4441
 Cod. 882876908150-909010-882876919010-7711010-7811010

POS	CODE	12NC	DESCRIPTION	NOTE
01	11027572	996530072695	L-F/BRASS CONNECTOR 1/8" FOR TUBE D=4	
02	9011.144	996530048885	SS FORK FOR TUBE D=4	
03	17001269	996530070397	L-F/BRASS 90°CONNECT.FOR FAUCET EV.NPR/T	
	11024469	996530067632	L-F/BRASS CONNECT.FOR BOILER AURA	
04	11024038	996530067667	BRASS 2WAY EV 21JN1RRV20-XT+LBV05024CU	
	17001262	996530073681	LFBRASS 2W.EV 21JN1RRV20-X005+LBV05024CU	
05	11031400	996530073514	L-F/BRASS 90°CONNECTOR V2 FOR FAUCET EV.	
06	17000980	996530067657	BLACK WATER DRAINAGE CONNECTOR XSMC	
07		421941285043	M/BLK CARAF.INS.BODY FRON.COVER V3 HGO/T	
		421941300043	ANT.CARAFE INS.BODY FRON.COVER V3 HGO/T	
		421944015633	G/ANT.CARAF.INS.BODY FRON.COVER V3 HGO/T	
08		421941288472	BLK CARAFE INS.BODY V2 HGO/T	
09	11031518	996530073572	MATT/BLK HOT WATER DISPENSER HGO/T ASSY.	
10	11024039	996530067613	3WAY EV OT57 (31JN1XRV20-SXT+LBV05024CU)	
11	140328059	996530013564	OR 2015 SILICONE PTFE/FDA	
12	17000114	996530068077	FLOW SELECTOR FAUCET NPR	
13	12000893	996530007948	OR ORM 0120-20 BLACK EPDM	
14	11008104	996530004722	MUSHROOM VALVE FOR FLOW SELECTOR P0057	
15	11008105	996530004723	FLOW SELECTOR VALVE SUPPORT P0057	
16	11008077	996530004709	STEEL FLOW SELECTOR VALVE SPRING P0057	
17	11008106	996530004724	FLOW SELECTOR VALVE CAP P0057	
18	11022791	996530007442	BLACK SLIM/EXSL TUB.BOILER SUPPORT	
19	129823802	996530013077	SCREW TCB M4X8 UNI 7687 ZNP	
20	12001033	996530007973	THERMOSTAT ONE SHOT 190°	
21	11001751	996530000997	TUB.BOILER V3 UPPER THERM.FIXING SPRING	
22	12001280	996530008024	SCREW TSP TORX 10 5X20 PLAST.ZN-B	
23	17000346	996530068751	HP/SLIM TUB.BOILER ASSY.	230V-1900W

POS	CODE	12NC	DESCRIPTION	NOTE
24	11004689	996530002484	TEA/BRASS SAFETY VALVE 16-18 BAR ASSY.	
25	149205850	996530018056	BLACK TYPE ULKA PUMP W/BEVEL SUPPORT	
26	12000140	996530007753	ULKA PUMP EP5/S GW	230V-50HZ
27	-	421946000131	2POLES CONNECTOR PUMP V2 CLP UL	
28	-	421946000141	3POLES CONNECTOR FLOWMETER V2 CLP UL	
29	NV99.099	996530059843	TURBINE D=1,2 932-8521/00 ASSY.	
30	12000892	996530007947	OETIKER CLAMP D=9,5 16700004	
31	190800100	996530026997	TEMPERATURE SENSOR NTC UL L=280MM	
32		421941284802	GRY BOILER INSULATING COVER NPR	
33	JS01.022	996530057357	SILICONE TUBE 5X10 60SH	IN ROLL
34	16000380	996530009505	5X8,9 SILICONE TUBE	IN ROLL
35	17002058	996530073582	MATBLK UPPER BODY HOT WATER DISPEN.HGO/T	
36	12000450	996530007819	SCREW TCB TORX 10 3,5X12 PLAST.ZN-N	
37	17000006	996530009559	TWO WAY TEFLON TUBES SUPPORT SPRING MYB9	
38	12001728	996530070321	SCREW TCB TORX 10 3,5X12 PLAST.SS	
39	129913902	996530013164	SCREW TCB TORX 10 3X12 PLAST.ZN-B	
40	17001215	996530069842	BLACK HOT WATER DISPENSER TUBE NPR/T	
41	17002061	996530073557	M/BLK LOWER BODY HOT WATER DISPEN.HGO/T	
42	17002025	996530073538	BLACK CARAFE GRAFT BODY INSERT HGO/T	
43	11027510	996530069851	WHT PREFORM.TEFLON TUBE SUPP.NPR ASSY.	
44	17002026	996530073545	BLK CARAFE INSERT BODY REAR COVER HGO/T	
45	11005395	996530002873	STEEL MILK CONTAINER SUPPORT SPRING P124	
46	16000540	996530009523	TRANSPAR.11X12,8 SILICONE TUBE	IN ROLL
	11026286	996530068717	HP/SLIM TUB.BOILER STD 1900W 230V ASSY.	COMPLETE WITH PART.N°19 - 20 - 21 - 23 - 31



MOLTIO



HD8766/01-04-09 HD8767/01- HD8768/01-03
 HD8768/05-08-09-43 - HD8769/01-11
 HD8769/08-09-19 - HD8777/11 - HD8778/11

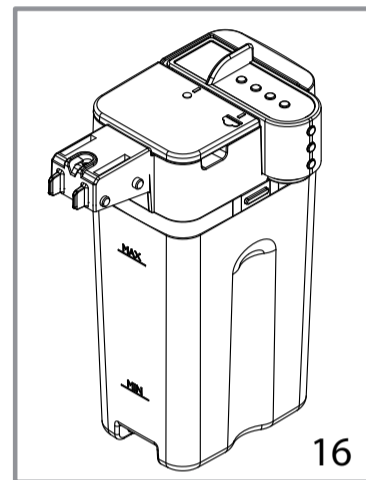
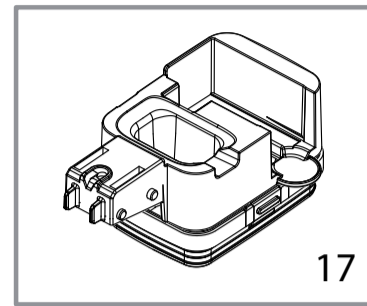
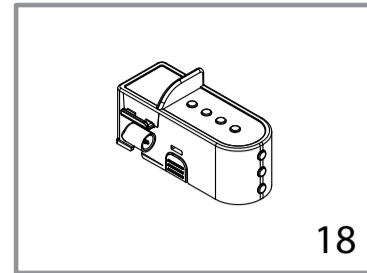
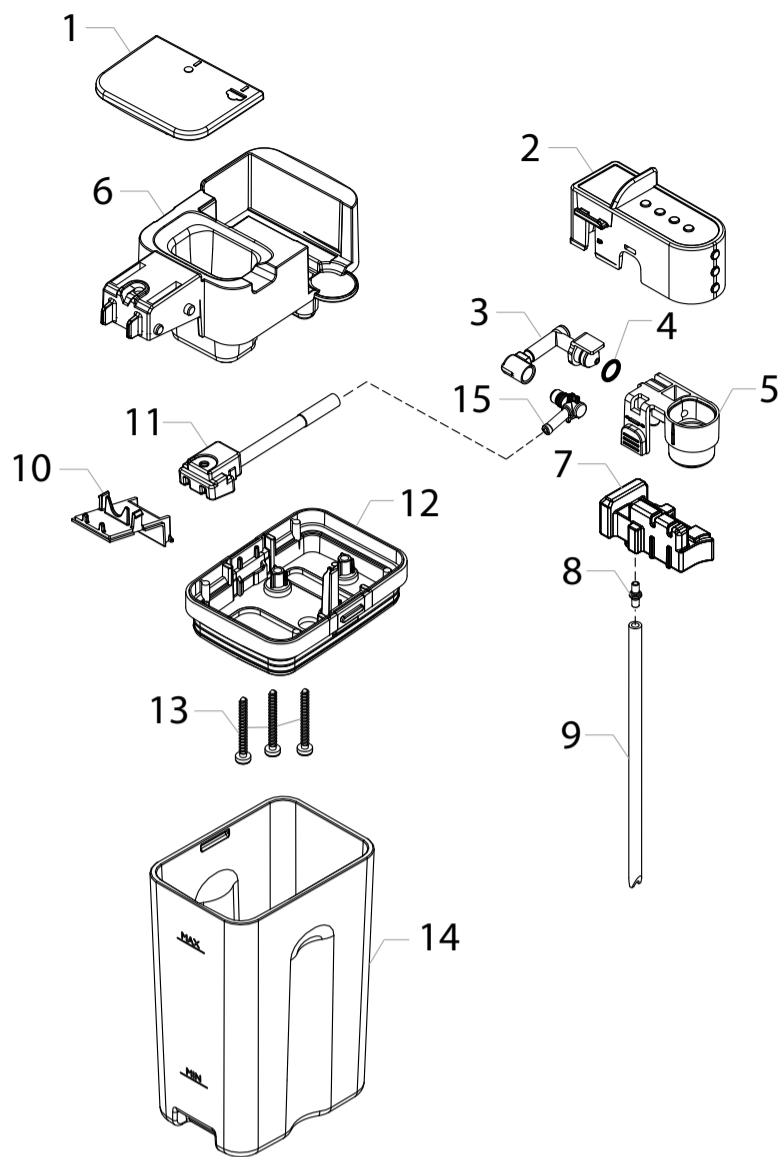


Cod. 10004394-882876604470-609010-10004429-4395-4440
 Cod. 882876805710-808150-809010-843240-10004396-4441
 Cod. 882876908150-909010-882876919010-7711010-7811010

POS	CODE	12NC	DESCRIPTION	NOTE	POS	CODE	12NC	DESCRIPTION	NOTE
01	-	421944011371	TEAZAMA GRIND.INCREASE SCREW V2 HGO ASS						
02	129574802	996530012928	SCREW TCB TORX 20 M4X30 ZN-B						
03	-	421941094152	BLK COF.GRINDER UPPER GRINDER SUPPORT V2						
04	140328960	996530013577	OR ORM 0530-15 NBR FDA						
05	146520100	996530016342	BAKED CLAY GRINDER 48X28						
06		421946000121	2P.CONN.COF.GRINDER MOTOR V2 NPR UL ASSY						
07	149198350	996530017952	BLK LOWER COFFEEGRINDER GRINDER SUPPORT						
08	123030300	996530011183	AXIAL BEARING EKKO 342.35252						
09	140360500	996530013597	FELT RING 45,4X39,4X4						
10	128310402	996530012341	GALV.WASHER UNI 8842 A4						
11	11026355	996530068049	BLK GROUND COFF.OUTLET CONVEYOR V4 ASSY.						
12	11030459	996530072511	GRY GROUND COFFEE CONT.LOWER SEAL SMART1						
13	226000300	996530029609	GEAR SX Z=38 FOR GRINDER MOTION ASSY.						
14	11000513	996530000317	MOTOR COFFEEGRINDER V3.1 ASSY.	230V					
15	149214800	996530018139	MC V3 MOD=1,25 WORM SCREW CENTRING CAP						
16	129661702	996530012992	SCREW TCB TORX 3,5X30 PLAST.ZN-B						
17	11002873	996530001389	INSULATOR BUSH FOR GRINDER MOTOR P124						
18	11000597	996530000376	STEEL COF.GRINDER SUPPORT SPRING P124						
19	-	421944001091	YLW BEAN COFFEE GRINDER INSERT HGO						
20	128381902	996530012375	STEEL FLAT WASHER DI=4,3 DE=14 SP=1,5						
21	149199050	996530017963	BLK SENSOR SUPPORT FOR COF.GRINDER MOTOR						
22	11000194	996530000115	BLACK COFFEEGRINDER MOTOR SUPPORT P124						
23	181540900	996530022784	ELECTR.BOARD WITH SENSOR HAL506 SF-K						
24	123030200	996530011182	RADIAL BEARING 61900.2RS1						
25	128381800	996530012374	STEEL CRINKLE WASHER 21,8X14X0,25						
26	142905450	996530015258	BLK UPPER BODY WITH COFFEE GROUND OUTLET						
27		421946000091	3P.CONN.MC SENSOR V2 NPR UL ASSY.						
28	11002613	996530001314	LOWER COFFEEGRINDER GEAR SUPPORT P124						
29	11002572	996530001308	COFFEEGRINDER REGULATION SPRING P124						
30	11003784	996530001907	COFFEE GRINDING ADJUSTMENT GEAR P0049						
31	17001921	996530072477	BLK WIRING FIX INSERT FOR GRINDER BOARD						
32	11002508	996530001296	UPPER COFFEEGRINDER GEAR SUPPORT P124						
33	129914002	996530013165	SCREW TCB TORX 10 3,5X16 PLAST.ZN-B						
	-	421941302931	GEN.MOTOR COF.GRINDER HGO ASSY.	230V					



MOLTIO

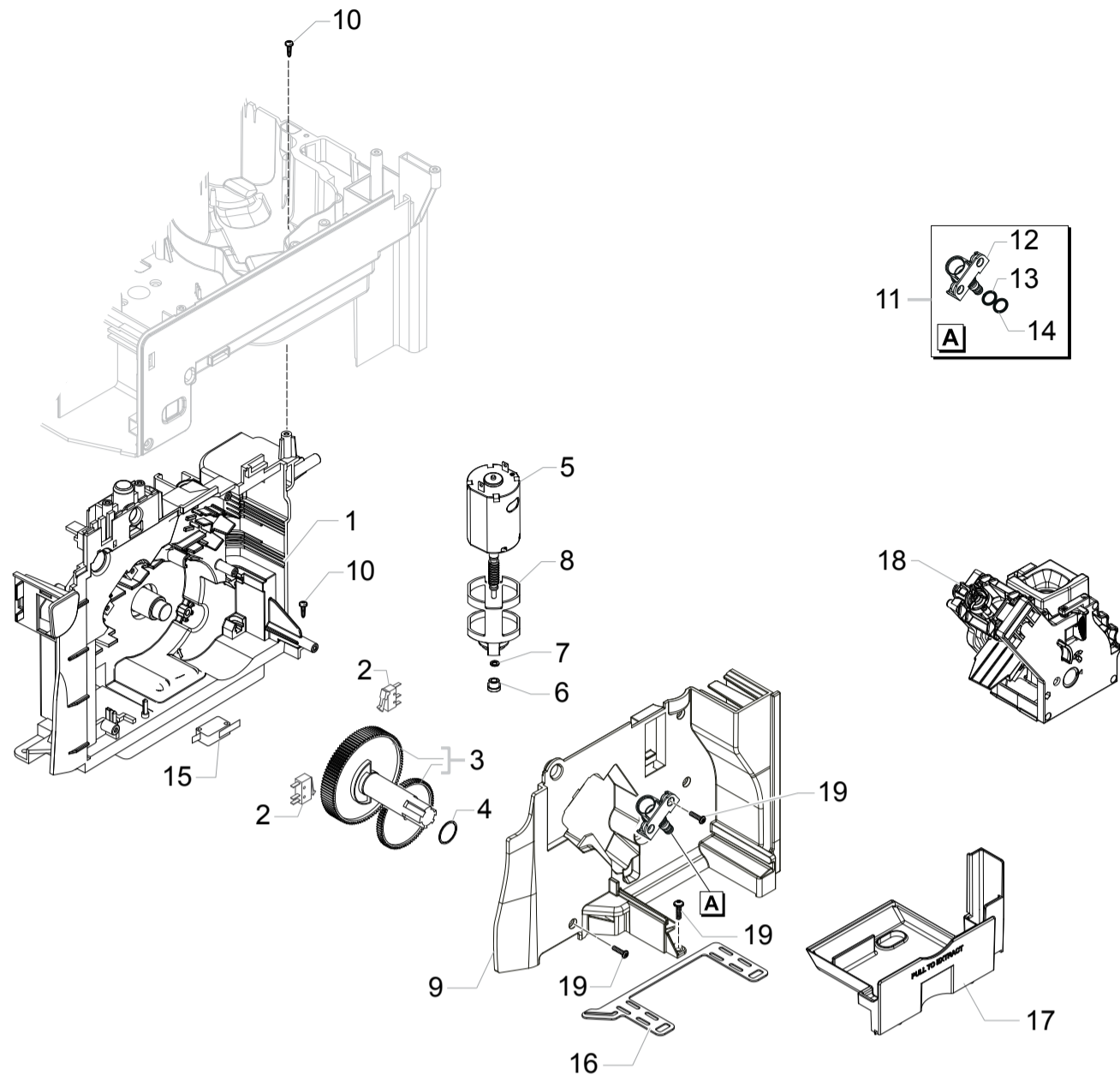


HD8766/01-04-09 HD8767/01- HD8768/01-03
 HD8768/05-08-09-43 - HD8769/01-11
 HD8769/08-09-19 - HD8777/11 - HD8778/11



Cod. 10004394-882876604470-609010-10004429-4395-4440
 Cod. 882876805710-808150-809010-843240-10004396-4441
 Cod. 882876908150-909010-882876919010-7711010-7811010

POS	CODE	12NC	DESCRIPTION	NOTE	POS	CODE	12NC	DESCRIPTION	NOTE
01	17001963	996530073564	BLACK CARAFE COVER PLUG HGO/T						
02	17001982	996530073601	MATT/BLK CARAFE CAPPUC.COVER HGO/T						
		NOT AVAILABLE	FROM S/N. TU901431108275	SEE POS.18					
03		421944035671	BLK CARAF.OUT.STEAM CON.D1,3 V2 HGO/T AS						
04	NM01.028	996530059392	O-RING 106 SILICONE						
05	17001985	996530073573	BLACK CARAFE CAPPUC.CASING HGO/T						
06	-	421941292002	BLK CARAFE UPPER COVER PART V2 HGO/T						
		NOT AVAILABLE	FROM S/N. TU901431108275	SEE POS.17					
07	-	421941292092	BLK CARAFE MILK INLET BODY V2 HGO/T						
		NOT AVAILABLE	FROM S/N. TU901431108275	SEE POS.18					
08	17001362	996530068626	BLK MILK INTAKE TUBE CONNECT.INS.V2 RYL						
09	11012814	996530067584	SILICONE TUBE 3,5X6 L=140 MM						
10	-	421944030721	BLK CARAF.REAR COVER INSERT V2 NOR NPR/T						
11	17002211	996530073579	BLACK CARAFE MILK DISPENSER TUBE SMR/T						
12	-	421941292013	BLK CARAFE LOWER COVER PART V3 HGO/T						
		NOT AVAILABLE	FROM S/N. TU901431108275	SEE POS.17					
13	12000897	996530007953	SCREW TCB TORX 10 3,5X20 PLAST.SS						
14		421944032881	TRANSP.D/GREY PH-11514 CARAFE V2 HGO/T						
15	-	421944005531	BLK CARAFE STEAM INPUT CONN.HGO/T ASSY.						
16	-	421944029081	TRANSP/BLK GEN.CARAFE SLID.HGO/T ASSY.						
17	-	421940813191	KIT SPARES BLK UPPER COV.PAR.CARAF.HGO/T						
		421941307311	KIT SPARES BLK UPP.COV.SERVO CAR.HGO/T						
		FROM S/N. TU901431108275							
18		421941307301	KIT SPARES BLK SERVO CARAF.CAP.COV.HGO/T						
		FROM S/N.TU901431108275							

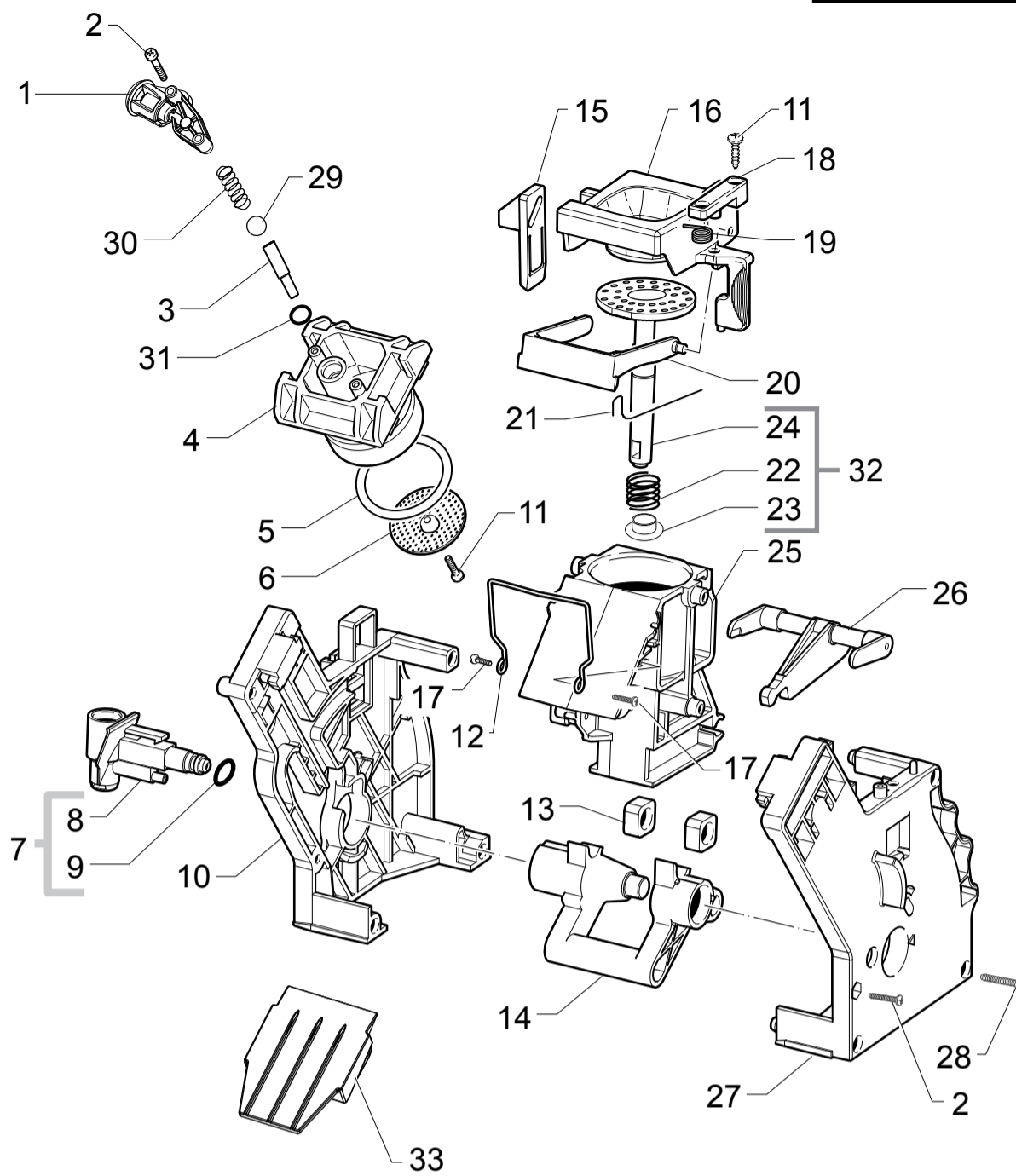


HD8766/01-04-09 HD8767/01- HD8768/01-03
 HD8768/05-08-09-43 - HD8769/01-11
 HD8769/08-09-19 - HD8777/11 - HD8778/11



Cod. 10004394-882876604470-609010-10004429-4395-4440
 Cod. 882876805710-808150-809010-843240-10004396-4441
 Cod. 882876908150-909010-882876919010-7711010-7811010

POS	CODE	12NC	DESCRIPTION	NOTE	POS	CODE	12NC	DESCRIPTION	NOTE
01	17000366	996530066736	BLK RATIOMOTOR MOUNTING PLATE XSMC ASSY.						
02	12001841	996530073474	MICROSWITCH XC/V4D						
03	20000900	996530009913	SPARES KIT GEARS FOR RATIOMOTOR V2						
04	9161.132	996530050569	MYLAR WASHER FOR RATIOMOTOR						
05	11005214	996530002796	MOTOR FOR RATIOMOTOR P124 ASSY.						
06	9121.046	996530049898	BRONZE SINTERED BUSH FOR MOTOR RATIOMOT.						
07	148380200	996530017424	BAKELIZZATE WASHER D=5,5						
08	9121.044	996530049896	ANTIVIBRATION FOR MOTOR						
09	11003754	996530001899	BLK RATIOMOT.MOUNTING PLATE COVER P0057						
10	12000450	996530007819	SCREW TCBR TORX 10 3,5X12 PLAST.ZN-N						
11	11013531	996530006805	PIN FOR FLOW SELECTOR FAUCET P0057 ASSY.						
12	11013530	996530006804	PIN FOR FLOW SELECTOR FAUCET V2 P0057						
13	NM01.035	996530059399	OR ORM 0090-20 SILICONE						
14	NM01.057	996530059419	OR ORM 0050-20 IN SILICONE						
15	12001890	996530073209	MICROSWITCH XG/V3D						
16	17000685	996530072515	BLACK SEAL FOR RATIOMOTOR PLATE NPR						
17	17001336	996530068732	GREY BREW UNIT DRAWER COFFEE NPR						
18		421944036871	BLK BREW UNIT 8GR.5BAR V3 HGO						
19		421944016761	SCREW TCBR TORX 10 3,5X12 PLAST.ZN-NI						



HD8766/01-04-09 HD8767/01- HD8768/01-03
 HD8768/05-08-09-43 - HD8769/01-11
 HD8769/08-09-19 - HD8777/11 - HD8778/11



Cod. 10004394-882876604470-609010-10004429-4395-4440
 Cod. 882876805710-808150-809010-843240-10004396-4441
 Cod. 882876908150-909010-882876919010-7711010-7811010

POS	CODE	12NC	DESCRIPTION	NOTE	POS	CODE	12NC	DESCRIPTION	NOTE
01	11009362	996530005415	BLK COF.OUTLET SLEEVE BREW UNIT S0053 AS						
02	12000550	996530007838	SCREW TCB TORX 10 3X25 PLAST.SS						
03	11009276	996530005372	BLK COUNTER PISTON TUBE BREW UNIT S0053						
04	11001840	996530001046	BLACK COUNTER PISTON BREW UNIT 8GR.P124						
05	NM01.044	996530059406	OR ORM 0320-40 SILICONE PTFE/FDA						
06	9161.268	996530050709	PERCOLATOR DE=35,8 ELFO						
07	20000440	996530009825	BLACK WATER INLET SLEEVE BREW UNIT ASSY.						
08	9161.064.050	996530050488	BLACK WATER INLET SLEEVE BREW UNIT ROYAL						
09	NM02.007	996530059441	OR 2025 IN TERMOIL						
10	9161.375.050	996530050832	BLACK BREW UNIT REAR PLATE SMART						
11	12000895	996530007951	SCREW TSP TORX 10 3X10 PLAST.SS						
12	11001556	996530000898	SS BREW UNIT SPRING H=49 SMART						
13	9161.094.050	996530050539	BLACK BREW UNIT DRILLED BLOCK						
14	9161.066.050	996530050492	BLACK BREW UNIT ELBOW SHAFT M5000						
15	9161.373.050	996530050827	BLACK BREW UNIT COUPLING PLATE SMART						
16	149261350	996530018241	BLACK HOPPER DOSER BREW UNIT SMART1						
17	129912521	996530013148	SCREW TCB TORX 10 3,5X14 PLAST.SS						
18	9161.374.050	996530050829	BLK BREW UNIT HOPPER BLOCKING PLATE SMART						
19	9161.378	996530050838	SS HOPPER SPRING FOR BREW UNIT SMART						
20	11004161	996530002096	BLACK SCRAPER FOR BREW UNIT M5000						
21	9161.046	996530050455	SS SCRAPER SPRING FOR BREW UNIT						
22	9161.198	996530050627	SS.8GR.BREW UNIT PISTON SPRING						
23	9161.191	996530050618	WHITE 8GR.-12GR.BREW UNIT PISTON BUSH						
24	-	421944025621	BLK BREW UNIT INTEGR.PISTON 8GR.V3 ASSY.						
25	11003075	996530001448	BLACK COFFEE CONTAINER BREW UNIT P124						
26	11003078	996530001452	BLACK CONNECTING ROD BREW UNIT 8GR.						
27	11005920	996530003228	BLACK BREW UNIT FRONT PLATE S/SCR.SMART						
28	12000897	996530007953	SCREW TCB TORX 10 3,5X20 PLAST.SS						
29	-	421944034451	BOROSILICATE SPHERE D.5 MM						
30	11012095	996530006305	SS COFFEE UNIT CONTERPISTON SPRING S0053						
31	140328761	996530013575	OR ORM 0060-15 TERMOIL						
32		421944029791	BLK BREW UNIT 8GR.INT.PISTON GEN.V3 ASSY						
33	17000663	996530073322	BLACK BREW UNIT CONVEYOR SLIDE L=76,8						
		421944036871	BLK BREW UNIT 8GR.5BAR V3 HGO						



MOLTIO

TABLE 9/9