

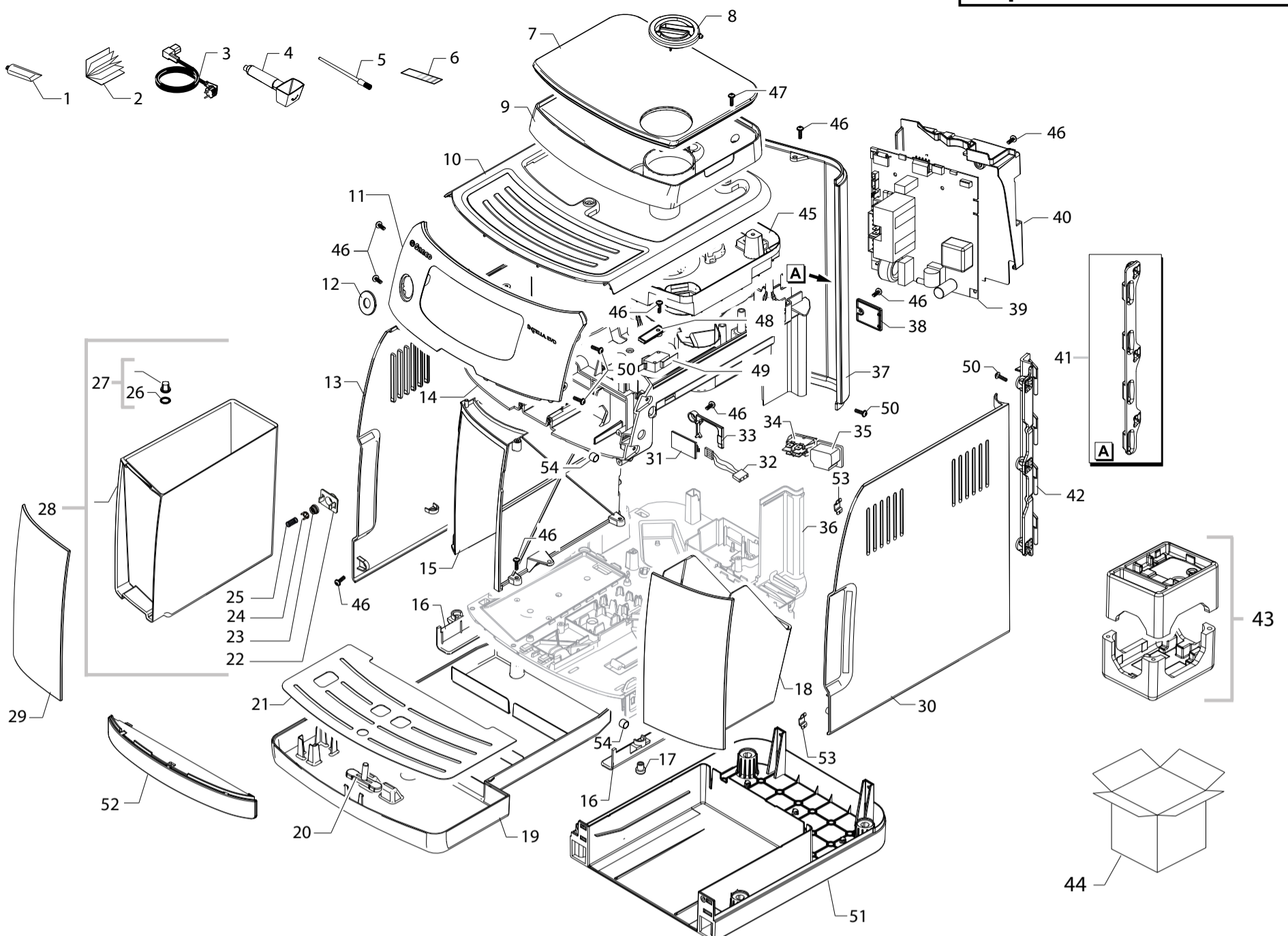
HD8751/95-98-HD8752/03-42-43  
 HD8752/84-85-94-95-99  
 HD8755/01-02-HD8770/01-02  
 HD8779/01-HD8880/09-HD8881/09



Cod.10004205-882875198500-882875203630-5242240-5243240  
 Cod.5284300-10004222-882875294530-4206-882875285020- 5295020- 5299300  
 Cod.10004325-10004405-10004398-10004381  
 Cod.882877901290-882888009010-882888109010

POS	CODE	12NC	DESCRIPTION	NOTE	POS	CODE	12NC	DESCRIPTION	NOTE
01		421946017941	KLUBERLUB NH1 11-222 TUBE 5GR.		11	11029857	996530072496	ANTHRAC.FRONT PANEL S/SCR.NEW NPR/H-P	
02		421946009441	MANUAL V2 SAE HD8770 NPR/O GB					<b>FOR HD8752/95 HD8881/09</b>	
		421946009451	MANUAL V2 SAE HD8770 NPR/O DE			11031370	996530073221	FRONT.NPR/H-P ANT/L.SER.BELLA	
			<b>FOR HD 8770/01-02</b>					<b>FOR HD8770/01-02</b>	
	-	421940439931	MANUAL.SAE HD8779 NPR/HM GB		12	11026290	996530068757	CHROM.FRONT PANEL CAP NPR/H-P	
			FOR HD8779/01					<b>FOR HD8752/42-43-49-85-95 HD8770/01-02</b>	
	-	421940439941	MANUAL.SAE HD8779 NPR/HM FR					<b>HD8779/01-09</b>	
			FOR HD8779/01			11030595	996530072508	CRC FRONT PANEL CAP NPR/H-P	
	15004061	996530073515	MANUAL SAE HD8752 NPR/H PT/BRA					<b>FOR HD8751/95 HD8755/01 HD8880/09</b>	
			FOR HD8752/42-43		13	17001299	996530068729	BLACK LEFT SIDE CASING NPR	
03	-	421946001591	BLK POWER CABLE SCHUKO L=800					<b>FOR ALL MODELS EXCEPT HD8770/01-02</b>	
	183970350	996530025882	BLK POWER CABLE UK L=1200			11031319	996530073219	ANTHRAC.LEFT SIDE CASING NPR	
			<b>PER HD8751/98</b>					ONLY FOR <b>HD8770/01-02</b>	
	17800330	996530069926	BLACK POWER CABLE BRAZIL L=1200		14	11030130	996530072415	BLK COFFEE GRINDER SUPP.Plate V2 NPR/H-P	
			<b>FOR HD8752/42</b>		15	17001114	996530068752	BLACK CASING BOTTOM INSERT NPR	
	17800019	996530009627	BLACK POWER CABLE BRAZIL L=1200		16	17001110	996530068723	BLACK DRIP TRAY GUIDE NPR	
			<b>FOR HD8752/43</b>		17	147622800	996530016875	TRANSPARENT SILICONE FOOT	
	183940650	996530025872	BLACK POWER CABLE AUSTRALIA L=1200					<b>UP TO S/N TW901420291211</b>	
			<b>FOR HD8752/03-94</b>				421324705256	FOOT	
04		421944033301	BLK ABS COFFEE MEASURE SMART					<b>FROM S/N TW901420291212</b>	
05	127390100	996530011867	BRUSH FOR CLEANING		18	11030534	996530072525	MATT/BLACK DUMP BOX NPR/H-P	
06	0301.961	996530039604	STICKER FOR WATER HARDNESS TEST					<b>FOR HD8755/01-02 HD8880/09</b>	
07	17001245	996530068681	NAT/GREY BEAN COFFEE CONTAIN.LID NPR/H-T			11028562	996530070355	SS DUMP BOX NPR/HM ASSY.	
			<b>FOR HD8752/42-43-85-95-HD8779/01-HD8881/09</b>					<b>FOR HD8752/42-43-85 HD8779/01</b>	
	17001470	996530068715	NAT/GREY BEAN COFFEE CONTAINER LID NPR/P			11029854	996530073359	ANTHRAC.DUMP BOX NPR/H-P	
			<b>FOR HD8751/95-HD8755/01-02-HD8770/01-02-HD8880/09</b>					<b>FOR HD8770/01-02-HD8881/09-HD8752/95</b>	
08	17001244	996530068685	NAT/GREY GROUND COFFEE HOPPER LID NPR		19	17001637	996530072533	BLACK DRIP TRAY V2 NPR/H-P	
09	17001234	996530068743	NAT/GREY BEAN COFFEE CONTAINER NPR		20	11013184	996530006683	RED FLOAT FOR DRIP TRAY XSM	
10		421941301461	M/BLK UPPER CASING COVER V2 NPR/B-P		21	17001635	996530072536	SB/SS GRATE FOR DRIP TRAY V2 NPR/H-P	
			<b>HD8751/95 HD8755/01-02 HD8880/09</b>		22	11001298	996530000733	BLACK LID FOR DUCKBILL VALVE P0049	
	20007121	996530072469	SPARES KIT SS/ANT UPPER CASING COV.NPR/H		23	11003671	996530001829	TRANSP.VALVE FOR WATER CONTAINER P0049	
			<b>FOR HD8752/42-43-85-95 HD8779/01 HD8881/09</b>		24	-	421941157852	GRY WATER CONTAINER VALVE INSERT P0049	
		421941301471	G/ANT.UPPER CASING COVER V2 NPR/B-P		25	11003672	996530001831	SS SPRING FOR WATER CONTAIN.VALVE P0049	
			<b>FOR HD8770/01-02</b>		26	140328461	996530013571	OR ORM 0190-10 EPDM	
11	11029836	996530072492	BLACK FRONT PANEL S/SCR.NEW NPR/H-P		27	224640200	996530029115	WHITE WATER CONTAINER EXT.FILTER ASSY.	
			<b>FOR HD8751/95 HD8755/01-02 HD8880/09</b>		28	11026289	996530068674	NAT/GREY WATER CONTAINER NPR ASSY.	
	11030171	996530072803	SS FRONT PANEL S/SCR.NEW NPR/HM ASSY.		29	11030535	996530072456	MATT/BLACK WATER TANK FRONT COVER NPR	
			<b>FOR HD8752/42-43-85 HD8779/01</b>					<b>FOR HD8751/95- HD8755/01-02-HD8880/09</b>	
						11029853	996530072452	ANTHRAC.WATER TANK FRONT COVER NPR	
								<b>FOR HD8752/95-HD8770/01-02-HD8881/09</b>	





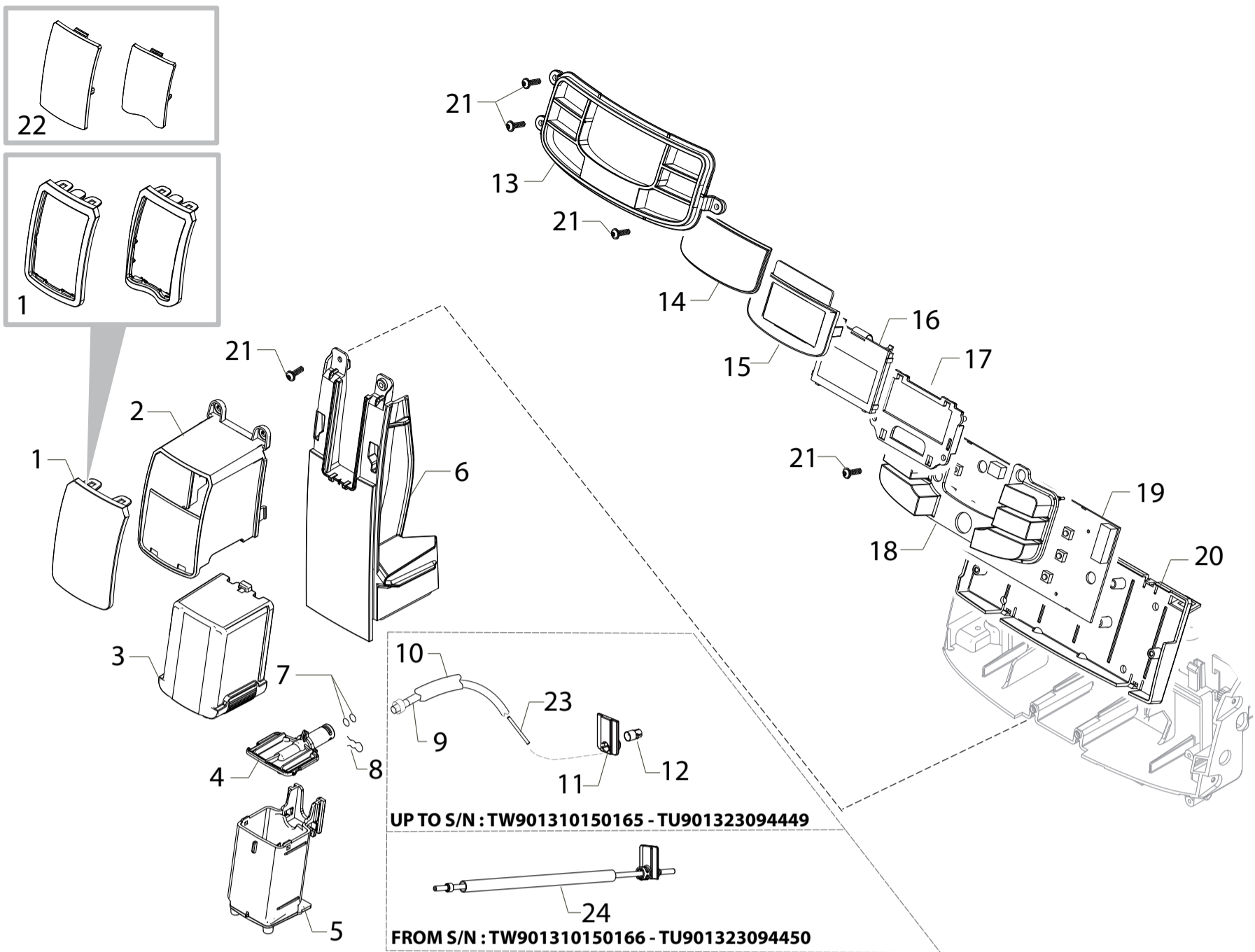
HD8751/95-98-HD8752/03-42-43  
 HD8752/84-85-94-95-99  
 HD8755/01-02-HD8770/01-02  
 HD8779/01-HD8880/09-HD8881/09



Cod.10004205-882875198500-882875203630-5242240-5243240  
 Cod.5284300-10004222-882875294530-4206-882875285020- 5295020- 5299300  
 Cod.10004325-10004405-10004398-10004381  
 Cod.882877901290-882888009010-882888109010

POS	CODE	12NC	DESCRIPTION	NOTE	POS	CODE	12NC	DESCRIPTION	NOTE
	11028561	996530070361	SS WATER TANK FRONT COVER NPR/HM ASSY. <b>FOR HD8752/42-43-85-HD8779/01</b>		44	13001685	996530073218	DISPL.BOX NPR/O SAE INTELIA EVO OTTO WE <b>FOR HD8770/01-02</b>	
30		421944040591	M/BLK RIGHT SIDE DOOR V4 NPR <b>FOR ALL MODELS EXCEPT HD8770/01-02</b>			-	421940312261	DISP.BOX NPR/HM SAE INTELIA EVOMET. <b>FOR 8779/01</b>	
		421944040601	G/ANT.RIGHT SIDE DOOR V4 NPR <b>ONLY FOR HD8770/01-02</b>		45	-	421944002281	COFF.GRINDER SOUNDPROOFING COVER V2 NPR	
31	11003232	996530001522	AS.CPU+SW WATER LEVEL SENSOR V2	FOR 230 VOLT	46	12000450	996530007819	SCREW TCBR TORX 10 3,5X12 PLAST.ZN-N	
	11000651	996530000425	WATER LEVEL SENSOR BOARD P124	FOR 120 VOLT	47	129914002	996530013165	SCREW TCB TORX 10 3,5X16 PLAST.ZN-B	
32	-	421946000081	3P.CONN.WATER LEVEL V2 CLP UL ASSY.		48	17000064	996530067437	BLK CAPACIT.SENSOR DEADLOCK INSERT XSM	
33	17001179	996530068749	BLK CAPACIT.SENSOR LOCKING INSERT NPR		49	12001890	996530073209	MICROSWITCH XG/V3D	
34	NE03.038	996530058836	BIPOLAR SWITCH FUSIT C1250AR <b>FOR HD8752/43</b>		50	12001728	996530070321	SCREW TCBR TORX 10 3,5X12 PLAST.SS	
		242212625107	SWI POW 2P 16A 250V FASTON IEC 1552 B <b>FROM S/N TW901405083069 DELETED IN HD8751/95-HD8755/01-02 HD8770/01-02-HD8880/09-HD8881/09</b>		51		421944037841	BLK CASING BOTTOM COVER V3 NPR/E <b>FOR HD8755/01-02</b>	
35	12001883	996530072437	CUP SOCKET V3 EN 60320 C 13		52	17001062	996530073102	MATT/BLK CASING BOTTOM COVER INS.NPR/L <b>FOR HD8755/01-02</b>	
36	-	NOT AVAILABLE	BLK CASING BOTTOM V3A NPR/T		53	11013220	996530069857	STEEL PLATE FOR DOOR MAGNET XSM	
37	17001240	996530068714	BLACK REAR CASING NPR		54	9161.111	996530050555	MAGNET FOR FLOAT SUPERAUT.	
38	17001484	996530068728	BLACK REAR CASING PROGRAM.INSERT NPR						
39		421941229373	CPU+SW V3 NPR/H-P 230V ASSY. ALL MODELS EXCEPT FOR <b>HD8752/42</b>						
	11028192	996530072419	AS.CPU+SW NPR/H-P 120V ASSY <b>FOR HD8752/42</b>						
40	11012301	99653006364	BLACK PWR/CPU BOARD PROTECTION P0057	ONLY 120v					
		421944017971	BLK PWR/CPU BOARD PROTECTION V2 P0057						
41		421944022751	BLK HINGE FOR REAR CASING XSM						
42		421944022731	BLK HINGE FOR DOOR RIGHT SIDE XSM						
43	20007020	996530068711	KIT PS-E INSERT FOR BOX NPR/H-P <b>FOR HD8751/95-HD8752/42-43-85-95-HD8770/01-02 HD8779/01-HD8880/09-HD8881/09</b>						
	20007131	996530072853	KIT PS-E INSERT FOR BOX NPR/E <b>FOR HD8755/01-02</b>						
44	-	421946005161	DISPL.BOX DFX NPR SAE INTEL. <b>FOR HD8751/95-HD8752/42-43-85-95- HD8880/09-HD8881/09</b>						
	13001650	996530073107	FLEXOGR.BOX NPR/L SAE INTELIA LATTE WE <b>FOR HD8755/01-02</b>						





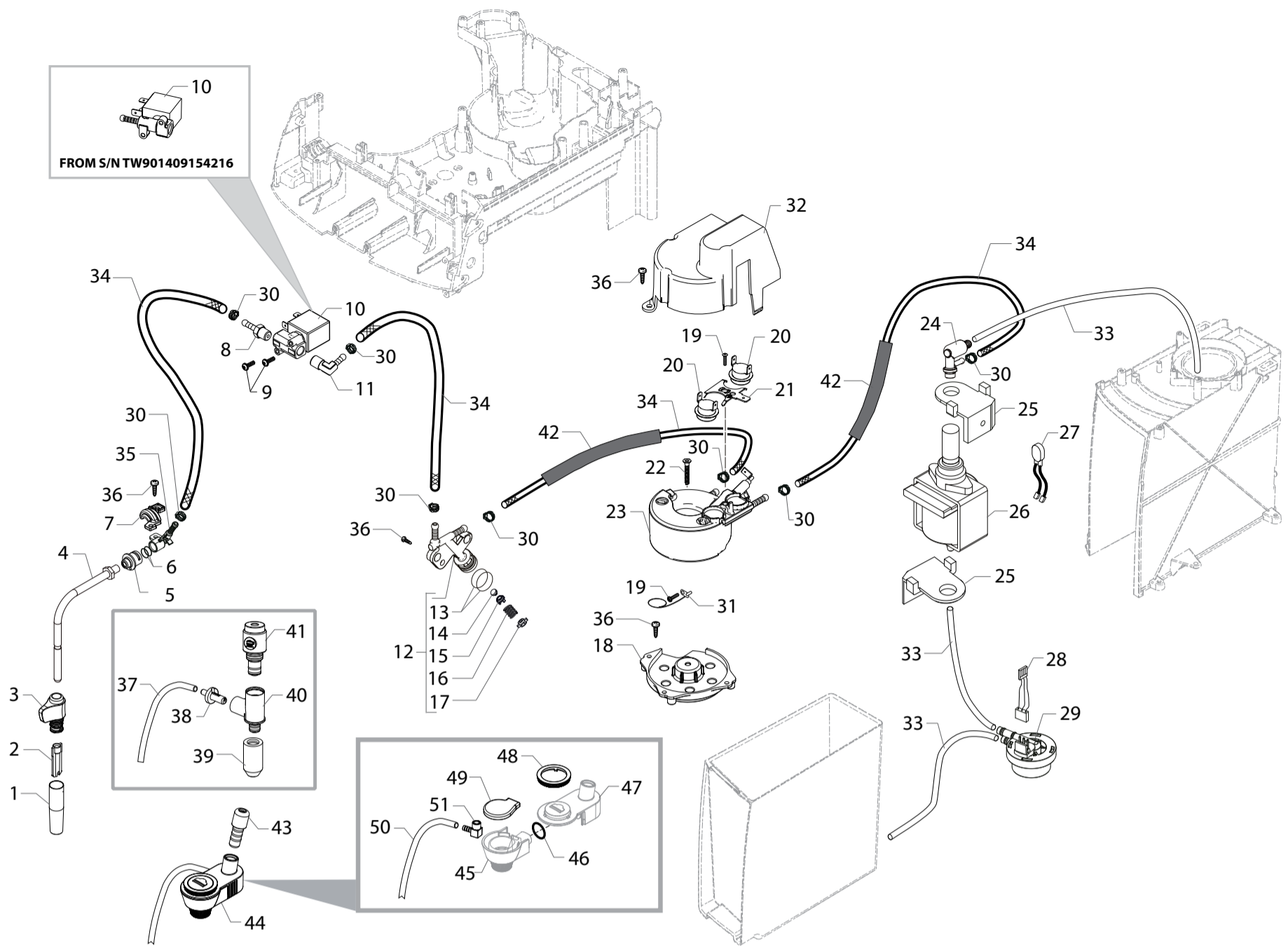
HD8751/95-98-HD8752/03-42-43  
 HD8752/84-85-94-95-99  
 HD8755/01-02-HD8770/01-02  
 HD8779/01-HD8880/09-HD8881/09



Cod.10004205-882875198500-882875203630-5242240-5243240  
 Cod.5284300-10004222-882875294530-4206-882875285020- 5295020- 5299300  
 Cod.10004325-10004405-10004398-10004381  
 Cod.882877901290-882888009010-882888109010

POS	CODE	12NC	DESCRIPTION	NOTE	POS	CODE	12NC	DESCRIPTION	NOTE
01	11029779	996530072482	CHROM.COFF.DISPEN.FRONT PLATE V2 NPR/H-T <b>FOR HD8752/95-HD8770/01-02-HD8881/09</b>		19	11031176	996530073211	BLK 6BUTTONS TOUCH PANEL S/S.STEAM NPR/H <b>FOR HD8770/01-02</b>	
	11028589	996530070369	SS COF.DISPENS.FRONT PLATE NPR/HT-TM ASS <b>FOR HD 8752/85-HD8779/01-HD8752/42-43</b>		19	11025830	996530068721	KYB - INTERFACE NPR/H-T <b>FOR HD8752/42-43-85-HD8770/01-02 HD8779/01-HD8881/09</b>	
	11029798	996530072538	CRC COFF.DISPENSER FRONT PLATE V2 NPR/P <b>FOR HD8751/95-HD8755/01-02-HD8880/09</b>			11025833	996530068666	KYB - INTERFACE NPR/P <b>FOR HD8751/95-HD8755/01-02-HD8880/09</b>	
02	11030531	996530072512	MATT/BLACK COFFEE DISPENSER LID NPR <b>HD8751/95-HD8755/01-02-HD8880/09</b>		20	17001096	996530068736	BLACK DISPLAY KEYBOARD SUPPORT NPR	
	11030529	996530072523	CRC COFFEE DISPENSER LID NPR <b>FOR HD9752/95-HD8881/09</b>		21	12000450	996530007819	SCREW TCBR TORX 10 3,5X12 PLAST.ZN-N	
	11030355	996530072499	ANTHRAC.COFFEE DISPENSER LID NPR <b>FOR HD8752/42-43-85-HD8779/01</b>		22	11029841	996530072491	CRC COFF.DISPENSER FRONT INSERT NPR/H-T <b>FOR HD8752/95-HD8770/01-02-HD8881/09</b>	
	11031364	996530073213	CRC COFFEE DISPENSER LID NPR <b>FOR HD8770/01-02</b>			17001665	996530072464	MATT/BLK COFF.DISPENS.FRONT INSERT NPR/P <b>FOR HD8751/95-HD8755/01-02-HD8880/09</b>	
03	17001242	996530068698	BLACK COFFEE DISPENSER MOBILE PART NPR		23	17000266	996530071774	SS.L=22,6MM INT.BUSH FOR TEFLON TUBE D4	
04	17001246	996530068742	BLACK COFFEE DISPENSER BODY LID NPR		24	11031203	996530073357	TEFL.TUBE 2X4 L=235+PLATE+2BUSH NPR ASSY <b>FROM S/N TW901310150166 AND FROM S/N TU901323094450</b>	
05	17001894	996530071881	BLK COFFEE DISPENSER BODY V2 NPR						
06	11030536	996530072527	MATT/BLACK FRONT CASING COVER V2 NPR <b>HD8755/01-02-HD8880/09</b>						
	11028558	996530070368	SS FRONT CASING COVER NPR/HM ASSY. <b>FOR HD8752/42-43-85-HD8779/01</b>						
	11030564	996530072463	CRC FRONT CASING COVER V2 NPR <b>FOR HD8752/95-HD8881/09</b>						
	11031363	996530073212	CRC FRONT CASING COVER V2 NPR <b>FOR HD8770/01-02</b>						
07	140328059	996530013564	OR 2015 SILICONE PTFE/FDA						
08	9011.144	996530048885	SS FORK FOR TUBE D=4						
09	11004132	996530002073	TEFLON TUBE 2X4 L=250 MM ASSY.						
10	149361200	996530018278	BLACK SILICONE TUBE 7,5X9,3	IN ROLL					
11	11005100	996530002748	PLATE FOR BUSH TEFLON TUBE 2X4 P124						
12	11005101	996530002749	BLACK BUSH FOR TEFLON TUBE 2X4 P124						
13	11029834	996530072465	CRC TOUCH PANEL FRAME NPR/H-P						
14	17001112	996530068675	TRANSP.GLASS FOR DISPLAY NPR						
15	17001111	996530068673	BLACK DISPLAY FRAME NPR						
16	-	421941300941	DISPLAY LCD 128X64 SMR						
17	17001100	996530068682	BLACK DISPLAY SUPPORT NPR						
18	11029681	996530072495	BLACK 6BUTTONS TOUCH PANEL S/SCR.NPR/P <b>FOR HD8751/95-HD8755/01-02-HD8880/09</b>						
	11026476	996530068755	SIL.6BUTTONS TOUCH PANEL S/S.STEAM NPR/H <b>FOR HD8752/42-43-85-95-HD8779/01-HD8881/09</b>						





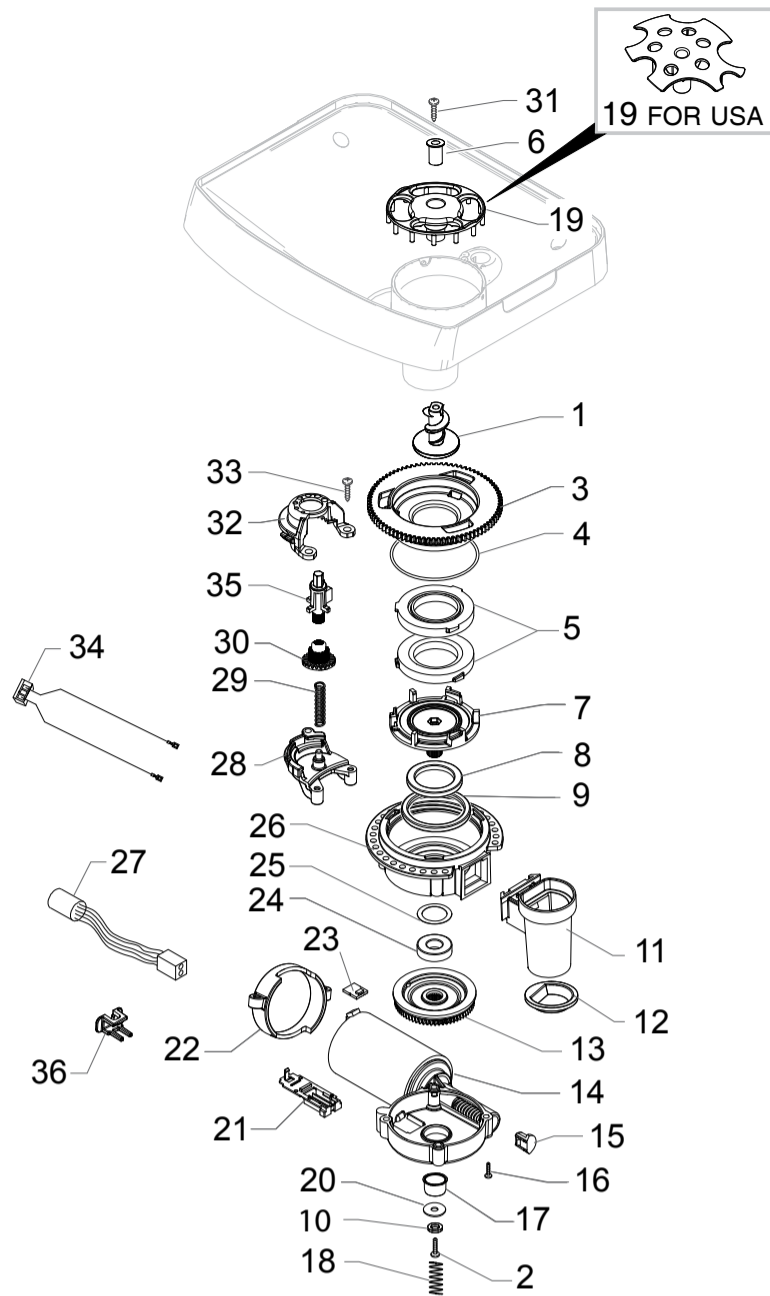
HD8751/95-98-HD8752/03-42-43  
 HD8752/84-85-94-95-99  
 HD8755/01-02-HD8770/01-02  
 HD8779/01-HD8880/09-HD8881/09



Cod.10004205-882875198500-882875203630-5242240-5243240  
 Cod.5284300-10004222-882875294530-4206-882875285020- 5295020- 5299300  
 Cod.10004325-10004405-10004398-10004381  
 Cod.882877901290-882888009010-882888109010

POS	CODE	12NC	DESCRIPTION	NOTE	POS	CODE	12NC	DESCRIPTION	NOTE
01	11001621	996530000926	SS PANNARELLO COVER P0049 <b>FOR HD8751/95-HD8755/01-02-HD8770/01-02 HD8880/09</b>		30	12000892	996530007947	OETIKER CLAMP D=9,5 16700004	
02	11001620	996530000925	BLACK PANNARELLO INNER TUBE P0049		31	190800100	996530026997	TEMPERATURE SENSOR NTC UL L=280MM	
03	-	421941300671	BLACK/SIL.STEAM TUBE HANDGRIP G0053 <b>FOR HD8751/95-HD8755/01-02-HD8770/01-02 HD8880/09</b>		32	-	421941284802	GRY BOILER INSULATING COVER NPR	
04	11027861	996530068662	TF/CHROM.STEAM TUBE D=5,4 NPR ASSY.		33	JS01.022	996530057357	SILICONE TUBE 5X10 60SH	IN ROLL
05	11011127	996530005979	BLACK PA6 BUSH FOR STEAM TUBE P0057		34	16000380	996530009505	5X8,9 SILICONE TUBE	IN ROLL
06	140324461	996530013509	OR ORM 0060-20 TERMOIL		35	11005757	996530003103	STEAM TUBE SUPPORT P0057	
07	11013894	996530006914	BLACK FORK FOR STEAM TUBE GXSM		36	12000450	996530007819	SCREW TCBR TORX 10 3,5X12 PLAST.ZN-N	
08	11024868	996530070371	L-F/BRASS CONNECT.FOR ALUM.BOILER		37	229363500	996530031599	SILICONE TUBE 3,5X6 L=400 MM <b>FOR HD8752/42-43-85-95</b>	
09	129823802	996530013077	TCB SCREW M4X8 UNI 7687 ZNP		38	17001459	996530068727	BLK CAP.MILK TUBE CONNECT.D=1,05 NPR/H <b>FOR HD8752/42-43-85-95</b>	
10	11024038	996530067667	BRASS 2WAY EV 21JN1RRV20-XT+LBV05024CU <b>UP TO S/N TW901409154215</b>		39	20007021	996530068684	SPARES KIT SS/BLK CAPP.LOWER PART NPR/H <b>FOR HD8752/42-43-85-95</b>	
	-	421944008781	2WAY EV OT57 G1/8 F.X PG D5,9 24V DC 10W <b>FROM S/N TW901409154216</b>		40	20007022	996530068692	SPARES KIT SS/BLK CAPP.UPPER PART NPR/H <b>FOR HD8752/42-43-85-95</b>	
11	11024469	996530067632	L-F/BRASS CONNECTOR FOR BOILER AURA		41	11026707	996530068055	BLACK STEAM TUBE HANDGRIP S/SCR.NPR/H <b>FOR HD8752/42-43-85-95</b>	
12	17000114	996530068077	FLOW SELECTOR FAUCET NPR		42	16000540	996530009523	TRANSPAR.10,5X12,3 SILICONE TUBE	IN ROLL
13	12000893	996530007948	OR ORM 0120-20 BLACK EPDM		43	-	421941301142	BLK STEAM TUBE INSERT V2 SMR/H <b>FOR HD8752/85-95-HD8779/01-HD8881/09</b>	
14	11008104	996530004722	MUSHROOM VALVE FOR FLOW SELECTOR P0057		44	-	421941301151	BLK CAPPUC.S/SCR.SMR/H ASSY. <b>FOR HD8752/85-95-HD8779/01-HD8881/09</b>	
15	11008105	996530004723	FLOW SELECTOR VALVE SUPPORT P0057		44	-	421944023801	BLK CAPPUC.V3 SMR/H ASSY. <b>FOR HD8752/85-95-HD8779/01-HD8881/09</b>	
16	11008077	996530004709	STEEL FLOW SELECTOR VALVE SPRING P0057		45		<b>NOT AVAILABLE</b>	CORPO CAPPUC.SMR/H NER.	SEE PART N°44
17	11008106	996530004724	FLOW SELECTOR VALVE CAP P0057		46	NM01.028	996530059392	O-RING 106 SILICONE	
18	11022791	996530007442	BLACK SLIM/EXSL TUB.BOILER SUPPORT		47		<b>NOT AVAILABLE</b>	AS.COP.CORPO CAPPUC. SMR/H NER.	SEE PART N°44
19	12001715	996530069758	SCREW TCB TORX 20 M4X8 AUTOFORMING ZN-B		48	-	421941301121	BLK CAPPUC.CASING COVER RING SMR/H	
20	12001033	996530007973	THERMOSTAT ONE SHOT 190°		49	-	421941301131	BLK CAPPUC.CASING SEAL SMR/H	
21	11001751	996530000997	TUB.BOILER V3 UPPER THERM.FIXING SPRING		50	9972.045	996530051237	SILICONE TUBE 3,5X6 L=350 MM DS	
22	12001280	996530008024	SCREW TSP TORX 10 5X20 PLAST.ZN-B		51	147922350	996530017377	BLK CONNECTOR 90° FOR SPHERIC.CAPPUC.	
	12001369	996530008039	SCREW TSP TORX 10 5X35 PLAST.SS						
23	17000346	996530068751	HP/SLIM TUB.BOILER ASSY. 1900W 230V	230V-1900W					
	11023153	996530007586	SLIM TUB.BOILER 1300W 120V ASSY.	120V 1300W					
24	11004689	996530002484	TEA/BRASS SAFETY VALVE 16-18 BAR ASSY.			11026286	996530068717	HP/SLIM TUB.BOILER STD 1900W 230V ASSY. WITH PART.N°19-20-21-23-31 COMPLETE	
25	149205850	996530018056	BLACK TYPE ULKA PUMP W/BEVEL SUPPORT			11026684	996530069761	SLIM TUB.BOIL.STD C1 T190° 1300W 120V AS WITH PART.N°19-20-21-23-31 COMPLETE	
26	-	421941305991	ULKA PUMP EP5FMGW 230V-50H	230V-50HZ					
	12000182	996530007782	ULKA PUMP EP5/S GW 220V-60HZ	220V-60HZ					
	12000142	996530007754	ULKA PUMP EAP5/S 120V-60HZ	120V-60HZ					
27	-	421946000131	2POLES CONNECTOR PUMP V2 CLP UL						
28		421946000141	3P.CONN.FLOWMETER V2 CLP UL ASSY.						
29	NV99.099	996530059843	TURBINE D=1,2 932-8521/00 ASSY.						





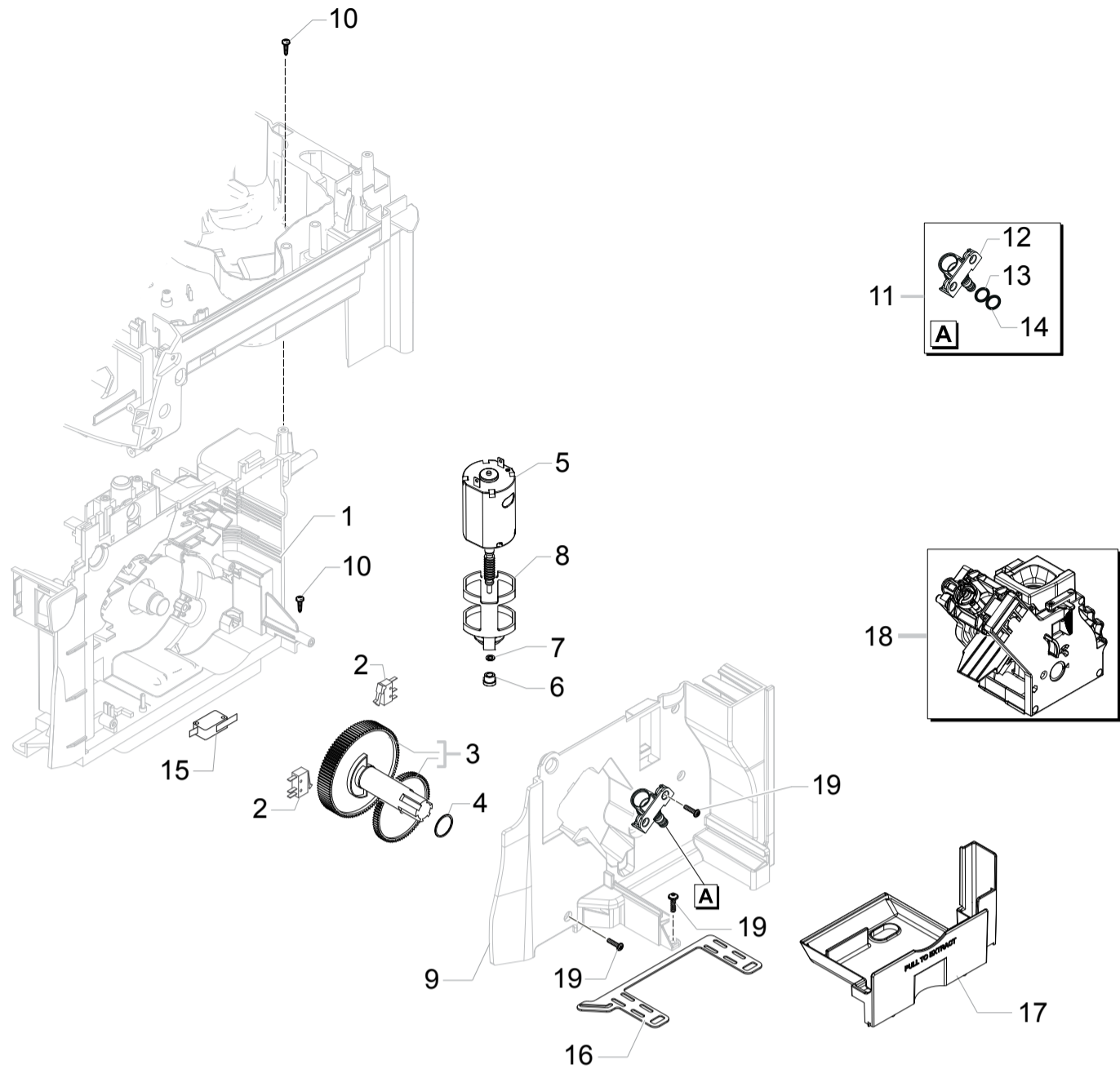
HD8751/95-98-HD8752/03-42-43  
 HD8752/84-85-94-95-99  
 HD8755/01-02-HD8770/01-02  
 HD8779/01-HD8880/09-HD8881/09



Cod.10004205-882875198500-882875203630-5242240-5243240  
 Cod.5284300-10004222-882875294530-4206-882875285020- 5295020- 5299300  
 Cod.10004325-10004405-10004398-10004381  
 Cod.882877901290-882888009010-882888109010

POS	CODE	12NC	DESCRIPTION	NOTE	POS	CODE	12NC	DESCRIPTION	NOTE
01	11010031	996530005586	TEA/ZAMA INCREASE SCREW GRINDER						
02	129574802	996530012928	SCREW TCB TORX 20 M4X30 ZN-B						
03	-	421941094152	BLK COF.GRINDER UPPER GRINDER SUPPORT V2						
04	140328960	996530013577	OR ORM 0530-15 NBR FDA						
05	146520100	996530016342	BAKED CLAY GRINDER 48X28						
06	11012466	996530006412	BRASS BUSH BEAN CONT.FINGER PROTEC.P0057						
07	149198350	996530017952	BLK LOWER COFFEEGRINDER GRINDER SUPPORT						
08	123030300	996530011183	AXIAL BEARING EKKO 342.35252						
09	140360500	996530013597	FELT RING 45,4X39,4X4						
10	128310402	996530012341	GALV.WASHER UNI 8842 A4						
11	11026355	996530068049	BLK GROUND COFF.OUTLET CONVEYOR V4 ASSY.						
12	11030459	996530072511	GRY GROUND COFFEE CONT.LOWER SEAL SMART1						
13	226000300	996530029609	GEAR SX Z=38 FOR GRINDER MOTION ASSY.						
14	11000513	996530000317	MOTOR COFFEEGRINDER V3.1 ASSY.	230V					
		421941305001	MOTOR COFFEEGRINDER V3.1 120V ASSY.	120V					
15	149214800	996530018139	MC V3 MOD=1,25 WORM SCREW CENTRING CAP						
16	129661702	996530012992	SCREW TCB TORX 3,5X30 PLAST.ZN-B						
17	11002873	996530001389	INSULATOR BUSH FOR GRINDER MOTOR P124						
18	11000597	996530000376	COFFEE GRINDER SUPPORT SPRING P124						
19	11014285	996530007058	BLK V2 BEAN CONTAIN.FINGER PROTECT.P0057						
		421944001511	TRANS.BEAN CONT.FINGER PROTECT.V3 NPR UL	FOR USA					
20	128381902	996530012375	STEEL FLAT WASHER DI=4,3 DE=14 SP=1,5						
21	149199050	996530017963	BLK SENSOR SUPPORT FOR COF.GRINDER MOTOR						
22	11000194	996530000115	BLACK COFFEEGRINDER MOTOR SUPPORT P124						
23	181540900	996530022784	ELECTR.BOARD WITH SENSOR HAL506 SF-K						
24	123030200	996530011182	RADIAL BEARING 61900.2RS1						
25	128381800	996530012374	STEEL CRINKLE WASHER 21,8X14X0,25						
26	142905450	996530015258	BLK UPPER BODY WITH COFFEE GROUND OUTLET						
27		421946000091	3P.CONN.MC SENSOR V2 NPR UL ASSY						
28	11002613	996530001314	LOWER COFFEEGRINDER GEAR SUPPORT P124						
29	11002572	996530001308	COFFEEGRINDER REGULATION SPRING P124						
30	11003784	996530001907	COFFEE GRINDING ADJUSTMENT GEAR P0049						
31	U043.004	996530061808	ZN-B TCB SCREW M4X16						
32	11002508	996530001296	UPPER COFFEEGRINDER GEAR SUPPORT P124						
33	129914002	996530013165	SCREW TCB TORX 10 3,5X16 PLAST.ZN-B						
34		421946000121	2P.CONN.COF.GRINDER MOTOR V2 NPR UL ASSY						
35	11003446	996530001673	BLACK BEAN COFFEE GRINDER INSERT P0049						
36	17001921	996530072477	BLK WIRING FIX INSERT FOR GRINDER BOARD						
	11026298	996530068697	GEN.MOTOR COFFEE GRINDER NPR 230V ASSY.	230V					
	11028279	996530071878	GEN.MOTOR COF.GRINDER NPR 120V ASSY.	120V					





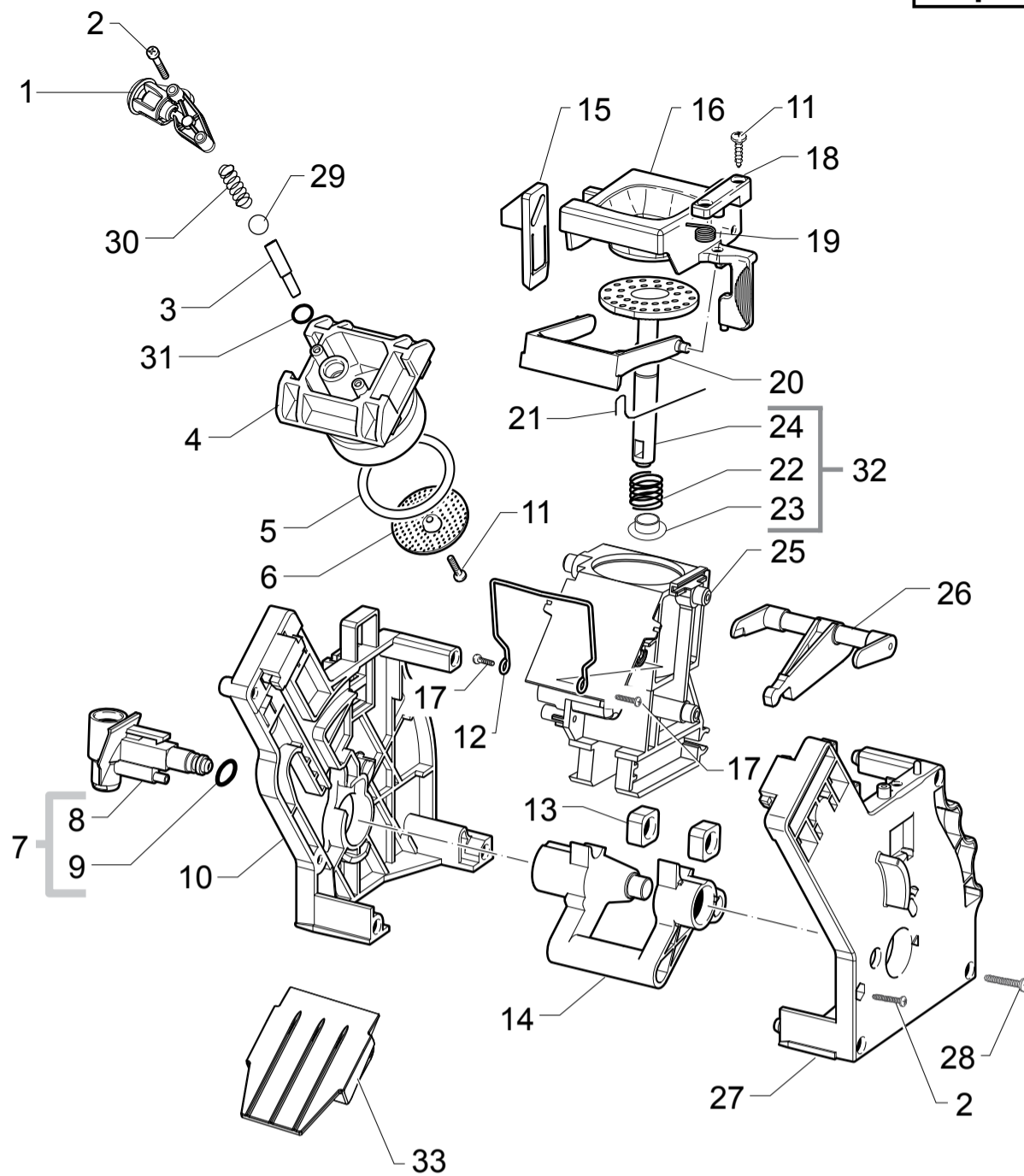
HD8751/95-98-HD8752/03-42-43  
 HD8752/84-85-94-95-99  
 HD8755/01-02-HD8770/01-02  
 HD8779/01-HD8880/09-HD8881/09



Cod.10004205-882875198500-882875203630-5242240-5243240  
 Cod.5284300-10004222-882875294530-4206-882875285020- 5295020- 5299300  
 Cod.10004325-10004405-10004398-10004381  
 Cod.882877901290-882888009010-882888109010

POS	CODE	12NC	DESCRIPTION	NOTE	POS	CODE	12NC	DESCRIPTION	NOTE
01		NOT AVAILABLE	BLK RATIOMOTOR MOUNTING PLATE V2 XSMC AS						
02	NE05.038	996530058869	MICROSWITCH SAIA XCG5-81-P5						
03	20000900	996530009913	SPARES KIT GEARS FOR RATIOMOTOR V2						
04	9161.132	996530050569	MYLAR WASHER FOR RATIOMOTOR						
05	11005214	996530002796	MOTOR FOR RATIOMOTOR P124 ASSY.						
06	9121.046	996530049898	BRONZE SINTERED BUSH FOR MOTOR RATIOMOT.						
07	148380200	996530017424	BAKELIZZATE WASHER D=5,5						
08	9121.044	996530049896	ANTIVIBRATION FOR MOTOR						
09		NOT AVAILABLE	BLK RATIOMOTOR MOUNTING PLATE V2 XSMC AS						
10	12000450	996530007819	SCREW TCBR TORX 10 3,5X12 PLAST.ZN-N						
11	11013531	996530006805	PIN FOR FLOW SELECTOR FAUCET P0057 ASSY.						
12	11013530	996530006804	PIN FOR FLOW SELECTOR FAUCET V2 P0057						
13	NM01.035	996530059399	OR ORM 0090-20 SILICONE						
14	NM01.057	996530059419	OR ORM 0050-20 IN SILICONE						
15	12001890	996530073209	MICROSWITCH XG/V3D						
16	17000685	996530072515	BLACK SEAL FOR RATIOMOTOR PLATE NPR						
17	17001336	996530068732	GREY BREW UNIT DRAWER COFFEE NPR						
18		421944036871	BLK BREW UNIT 8GR.5BAR V3 HGO						
19		421944016761	SCREW TCBR TORX 10 3,5X12 PLAST.ZN-NI						





HD8751/95-98-HD8752/03-42-43  
 HD8752/84-85-94-95-99  
 HD8755/01-02-HD8770/01-02  
 HD8779/01-HD8880/09-HD8881/09



Cod.10004205-882875198500-882875203630-5242240-5243240  
 Cod.5284300-10004222-882875294530-4206-882875285020- 5295020- 5299300  
 Cod.10004325-10004405-10004398-10004381  
 Cod.882877901290-882888009010-882888109010

POS	CODE	12NC	DESCRIPTION	NOTE	POS	CODE	12NC	DESCRIPTION	NOTE
01	11009362	996530005415	BLK COF.OUTLET SLEEVE BREW UNIT S0053 AS						
02	12000550	996530007838	SCREW TCB TORX 10 3X25 PLAST.SS						
03	11009276	996530005372	BLK COUNTER PISTON TUBE BREW UNIT S0053						
04	11001840	996530001046	BLACK COUNTER PISTON BREW UNIT 8GR.P124						
05	NM01.044	996530059406	OR ORM 0320-40 SILICONE PTFE/FDA						
06	9161.268	996530050709	PERCOLATOR DE=35,8 ELFO						
07	20000440	996530009825	BLACK WATER INLET SLEEVE BREW UNIT ASSY.						
08	9161.064.050	996530050488	BLACK WATER INLET SLEEVE BREW UNIT ROYAL						
09	NM02.007	996530059441	OR 2025 IN TERMOIL						
10	9161.375.050	996530050832	BLACK BREW UNIT REAR PLATE SMART						
11	12000895	996530007951	SCREW TSP TORX 10 3X10 PLAST.SS						
12	11001556	996530000898	SS BREW UNIT SPRING H=49 SMART						
13	9161.094.050	996530050539	BLACK BREW UNIT DRILLED BLOCK						
14	9161.066.050	996530050492	BLACK BREW UNIT ELBOW SHAFT M5000						
15		421941065032	BLK BREW UNIT COUPLING PLATE V2 SMART						
16	149261350	996530018241	BLACK HOPPER DOSER BREW UNIT SMART1						
17	129912521	996530013148	SCREW TCB TORX 10 3,5X14 PLAST.SS						
18	9161.374.050	996530050829	BLK BREWUNIT HOPPER BLOCKING PLATE SMART						
19	9161.378	996530050838	SS HOPPER SPRING FOR BREW UNIT SMART						
20	11004161	996530002096	BLACK SCRAPER FOR BREW UNIT M5000						
21	9161.046	996530050455	SS SCRAPER SPRING FOR BREW UNIT						
22	9161.198	996530050627	SS.8GR.BREW UNIT PISTON SPRING						
23	9161.191	996530050618	WHITE 8GR.-12GR.BREW UNIT PISTON BUSH						
24		421944025621	BLK BREW UNIT INTEGR.PISTON 8GR.V3 ASSY.						
25		421944014611	BLK COF.CONTAIN.BREW UNIT V2 M5000 ASSY.						
26	11003078	996530001452	BLACK CONNECTING ROD BREW UNIT 8GR.						
27	11005920	996530003228	BLACK BREW UNIT FRONT PLATE S/SCR.SMART						
28	12000897	996530007953	SCREW TCB TORX 10 3,5X20 PLAST.SS						
29		421944034451	BOROSILICATE SPHERE D.5 MM						
30	11012095	996530006305	SS COFFEE UNIT CONTERPISTON SPRING S0053						
31	140328761	996530013575	OR ORM 0060-15 TERMOIL						
32		421944029791	BLK BREW UNIT 8GR.INT.PISTON GEN.V3 ASSY						
33	17000663	996530073322	BLK BREW UNIT CONVEYOR SLIDE L=76,8						
		421944036871	BLK BREW UNIT 8GR.5BAR V3 HGO						

